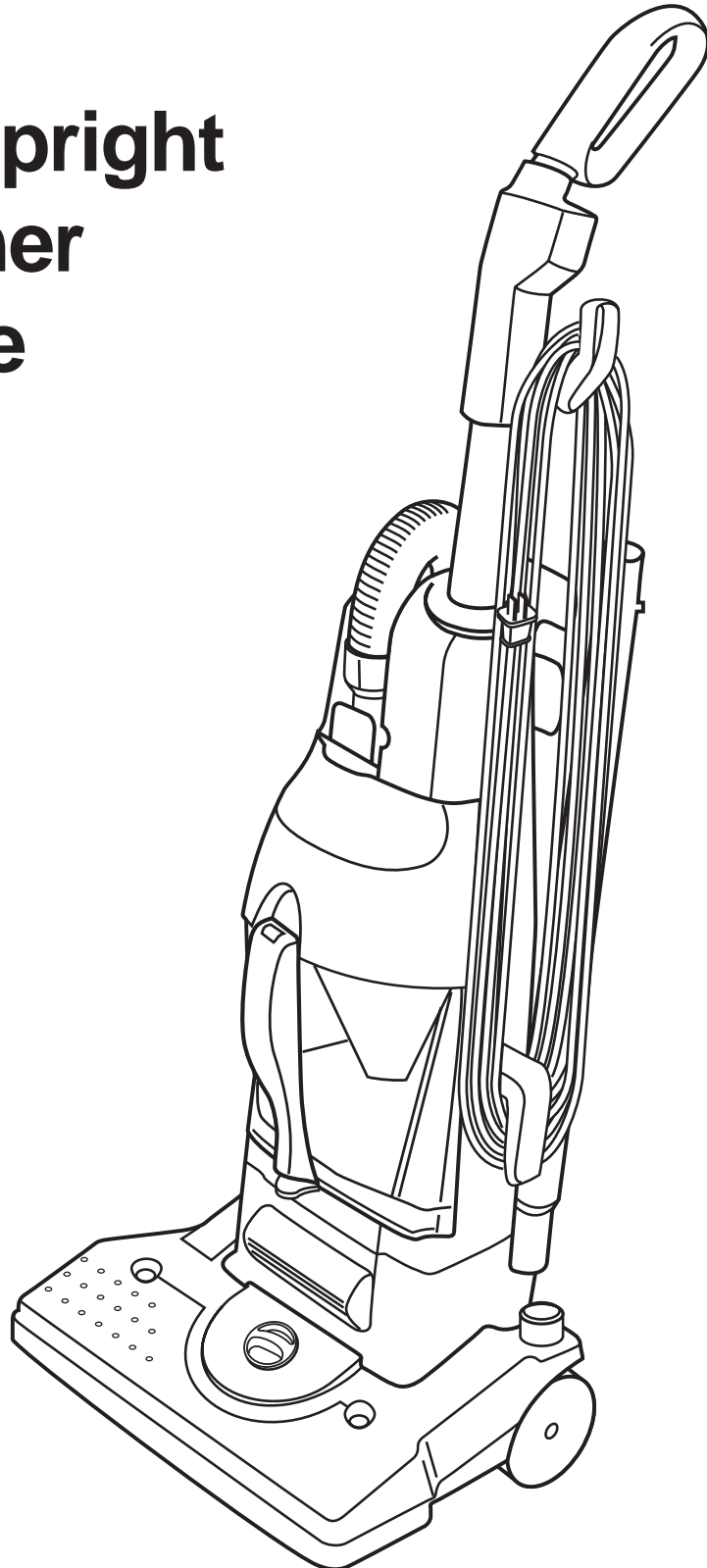


Sanitaire®

Commercial Upright Vacuum Cleaner Owner's Guide 4500 Series

Index	
Important Safeguards	2
Service Information	4
Assembly	5-6
Use	7
Thermal Cut Off	4 & 7
Accessories	8
Cyclonic Cassette	9-10
Brush Roll	11
Brush Roll Belt	11-12
Hose Blockage	13-14
Filters	15
HEPA Filter	15
Light Bulb	16
Problem Solving	17
Warranty	19



IMPORTANT SAFEGUARDS

When using an electrical appliance, basic precautions should always be followed, including the following:

READ ALL INSTRUCTIONS BEFORE USING THIS VACUUM CLEANER.

WARNING

To reduce the risk of fire, electric shock, or injury:

- Do not use outdoors or on wet surfaces.
- This appliance is provided with double insulation. Use only identical replacement parts. See instructions for Servicing of Double-Insulated Appliances.
- **Do not leave vacuum cleaner when plugged in.** Turn off the switch and unplug the electrical cord when not in use and before servicing.
- Do not allow to be used as a toy. Close attention is necessary when used by or near children.
- Use only as described in this manual. Use only manufacturer's recommended attachments.
- Do not use with damaged cord or plug. If vacuum cleaner is not working as it should, has been dropped, damaged, left outdoors, or dropped into water, return it to a service center before using.
- Do not pull or carry by cord, use cord as a handle, close a door on cord, or pull cord around sharp edges or corners. Do not run vacuum cleaner over cord. Keep cord away from heated surfaces.
- Do not use extension cords or outlets with inadequate current carrying capacity.
- Turn off all controls before unplugging.
- Do not unplug by pulling on cord. To unplug, grasp the plug, not the cord.
- Do not handle plug or vacuum cleaner with wet hands.
- Do not put any object into openings. Do not use with any opening blocked; keep free of dust, lint, hair, and anything that may reduce airflow.
- This vacuum cleaner creates suction and contains a revolving brush roll. Keep hair, loose clothing, fingers, and all parts of body away from openings and moving parts.
- Do not place cleaner on furniture or stairs as the brush roll may cause damage. Place cleaner on floor with the handle in storage position while using attachments.
- Do not pick up anything that is burning or smoking, such as cigarettes, matches, or hot ashes.
- Do not use without cyclonic cassette and all filters in place.
- Belt pulleys can become hot during normal use. To prevent burns, avoid touching the belt pulley when servicing the drive belt.
- Use extra care when cleaning on stairs.
- Do not use to pick up flammable or combustible liquids such as gasoline, or use in areas where they may be present.
- Store your cleaner indoors in a cool, dry area.
- Keep your work area well lighted.
- Unplug electrical appliances before vacuuming them.

SAVE THESE INSTRUCTIONS

CONSEILS DE SÉCURITÉ

Lors de l'utilisation d'un appareil électrique, quelques précautions élémentaires doivent être observées, incluant les suivantes:

LISEZ TOUTES LES INSTRUCTIONS AVANT D'UTILISER VOTRE ASPIRATEUR.

AVERTISSEMENT

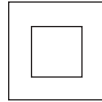
Pour réduire le risque de feu, de choc électrique, ou de blessure:

- Ne pas utiliser à l'extérieur ou sur des surfaces mouillées.
- Cet appareil est muni d'un double-isolément. Utilisez uniquement des pièces de rechange identiques. Voir les instructions pour l'entretien d'appareils à double-isolément.
- **Fermez le commutateur et débranchez l'appareil lorsque vous ne l'utilisez pas ou avant le nettoyage ou l'entretien.**
- Ne permettez pas qu'il soit utilisé comme jouet. Une attention particulière est nécessaire lorsque utilisé par ou près d'un enfant.
- Suivez les recommandations d'utilisation de ce manuel. Utilisez uniquement les accessoires recommandés par le fabricant.
- Ne pas utiliser si le cordon ou la fiche sont endommagés. Si l'aspirateur ne fonctionne pas comme il le devrait, s'il a été échappé, s'il est endommagé, s'il a été laissé à l'extérieur ou échappé dans l'eau, retournez-le à un centre de service avant d'utiliser.
- Ne pas le tirer ou le transporter par le cordon, ne pas utiliser le cordon en guise de poignée. Ne pas fermer une porte sur le cordon ou tirer le cordon sur des coins ou bordures pointus. Ne pas circuler sur le cordon avec l'aspirateur. Tenir le cordon à distance des surfaces chauffantes.
- Ne pas utiliser des rallonges ou des prises qui n'ont pas de capacité suffisante pour transporter le courant.
- Fermer tous les contrôles avant de débrancher.
- Ne pas débrancher en tirant sur le cordon. Pour débrancher, tenez la fiche et non le cordon.
- Ne pas manipuler la fiche ou l'aspirateur avec les mains mouillées.
- Ne pas rien insérer dans les ouvertures. Ne pas utiliser si des ouvertures sont bloquées; assurez-vous qu'elles soient dégagées de poussière, mousse, cheveux ou toute autre chose qui pourrait réduire le passage de l'air.
- Cet aspirateur crée de la succion et contient un rouleau-brosse tournant. Tenir les parties mobiles et les ouvertures loin des cheveux, du linge, des doigts et de toute partie du corps.
- Ne pas mettre l'aspirateur sur les meubles ou sur les escaliers car le rouleau-brosse peut faire des dommages. Placer l'aspirateur sur le plancher avec le manche en entreposage position temps que les accessoires sont en usage.
- Ne pas ramasser des objets qui brûlent ou fument comme les cigarettes, allumettes ou cendres chaudes.
- N'utilisez pas sans le sac de poussière en place.
- Les poulies du courroie peuvent devenir chaudes pendant l'utilisation normale. Pour prévenir des brûlures, évitez de touché la poulie du courroie lorsque vous réparez la courroie.
- Portez une attention particulière lorsque vous nettoyez les escaliers.
- Ne pas utiliser pour ramasser des liquides inflammables ou combustibles comme de l'essence: Ne pas utiliser dans les endroits où ces liquides pourraient être présents.
- Entrez votre aspirateur à l'intérieur dans un endroit propre et sec.
- Maintenez un bon éclairage à l'endroit où vous travaillez.
- Débrancher les appareils électrique avant de les balayer.

CONSERVEZ CES INSTRUCTIONS

SERVICING OF DOUBLE-INSULATED APPLIANCES

A double-insulated appliance is marked with one or more of the following: The words “DOUBLE INSULATION” or “DOUBLE INSULATED” or the double insulation symbol (square within a square).



In a double-insulated appliance, two systems of insulation are provided instead of grounding. No grounding means is provided on a double-insulated appliance, nor should a means for grounding be added to the appliance. Servicing a double-insulated appliance requires extreme care and knowledge of the system, and should be done only by qualified service personnel. Replacement parts for a double-insulated appliance must be identical to the parts they replace.

To reduce the risk of electric shock, this appliance has a polarized plug (one blade wider than the other). This plug will fit in a polarized outlet only one way. If the plug does not fit fully in the outlet, reverse the plug. If it still does not fit, contact a qualified electrician to install the proper outlet. Do not change the plug in any way.

Afin de réduire le risque de choc électrique, cet appareil est muni d'une fiche polarisée (une des lames est plus large). Cette fiche ne peut être insérée dans une prise polarisée que d'une seule façon. Si la fiche ne peut être insérée dans la prise, retourner la fiche. Si la fiche ne peut toujours pas être insérée dans la prise, faire installer une prise adéquate par un électricien qualifié. Ne pas modifier la fiche.

GENERAL INFORMATION

The cleaner is designed to pick up dirt and dust particles. Avoid picking up hard or sharp objects with the cleaner to prevent hose clogs and possible motor damage.

Service Information

The instructions in this booklet serve as a guide to routine maintenance. For additional service information telephone our toll free number for the nearest Eureka Authorized Warranty Station. **You should know the model, type and serial numbers when you call:**

USA: 1-800-282-2886
Mexico: 5670-6169
Canada: 1-800-282-2886

If you prefer, you can write to The Eureka Company, Service Division, 807 North Main Street, Bloomington, Illinois 61701, USA. In Canada write to The Eureka Company, 866 Langs Drive, Cambridge, Ontario N3H 2N7. Refer to The Eureka Limited Warranty for complete service information.



DO NOT OIL the motor or the brush roll at any time. The bearings are permanently lubricated and sealed.

Rating Plate

The model, type, and serial numbers are indicated on the rating plate located on the back of the cleaner. For prompt and complete service information, always refer to these numbers when inquiring about service.

Model & Type _____

Serial No. _____

MODEL	TYPE	SERIAL NO.
VOLTS	AMPS.	HERTZ
SERVICE INFORMATION: 1-800-282-2886		
	THE EUREKA COMPANY BLOOMINGTON, ILLINOIS 61701	

Thermal Cut Off

This vacuum cleaner has a special thermostat that protects the cleaner in case of motor overheating. If the cleaner suddenly shuts off, push power switch off and unplug the cleaner. Check the cleaner for a possible source of overheating such as a full cyclonic cassette, a blocked hose or clogged filter. If these conditions are found, fix them and wait at least 30 minutes before attempting to use the cleaner. After the 30 minute period, plug the cleaner back in and turn on the switch. If the cleaner still does not run, then take it to a Eureka Authorized Service Center for repair.

HOW TO ASSEMBLE

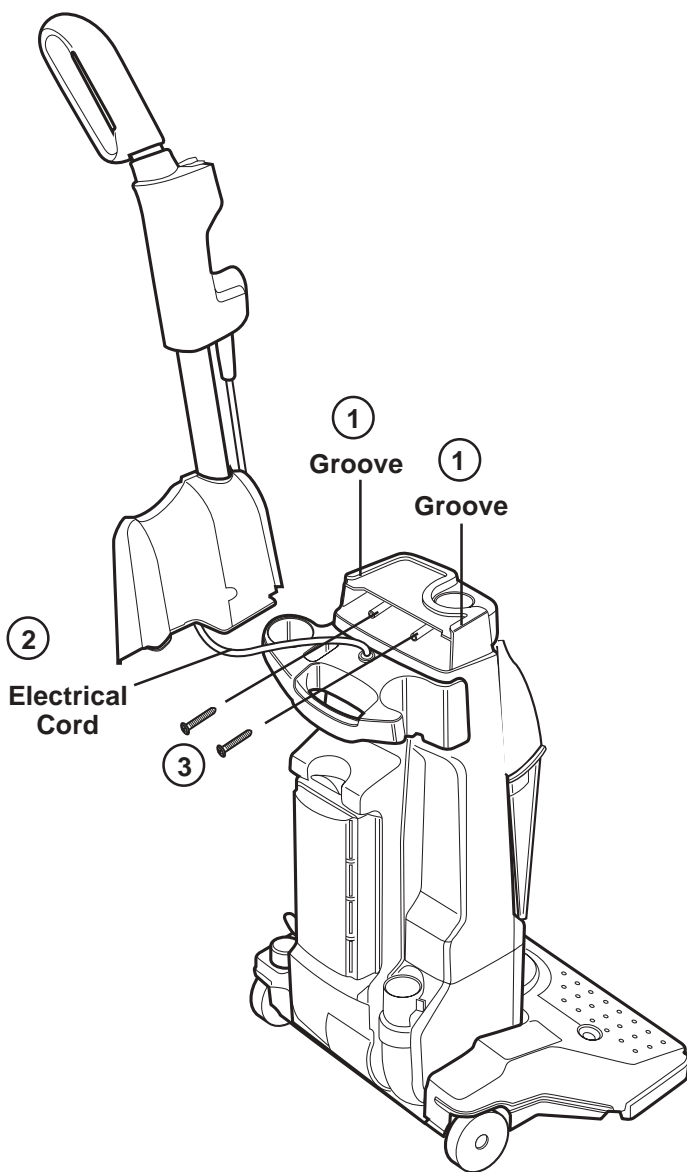
CAUTION: Moving parts, make sure on/off switch is in off position before plugging in.

CAUTION: Assemble the cleaner before using.

NOTE: Features may vary by model yet all parts assemble the same.

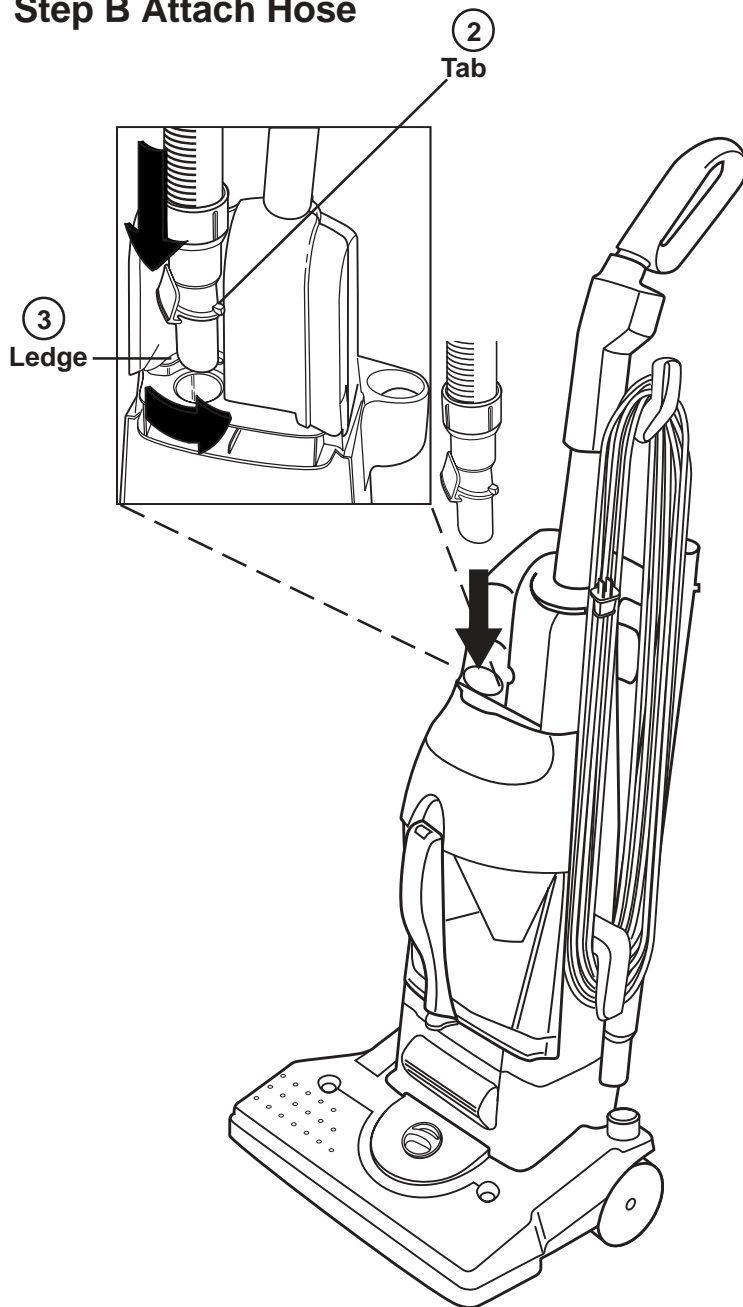
Step A Attach Handle

CAUTION: Do not catch cord under handle.



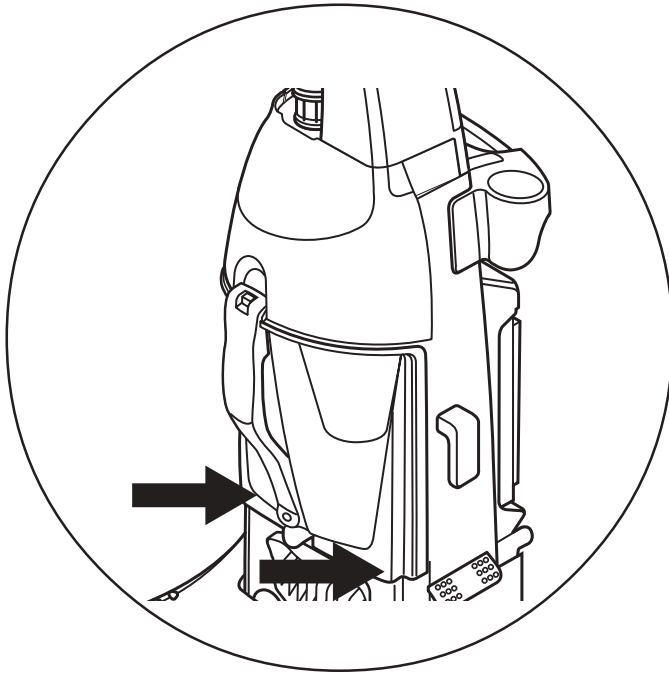
1. From rear of cleaner, align handle with groove and slide onto cleaner. If necessary, use thumb and finger pressure to slide handle into position.
2. Once handle is in place, check that the electrical cord is not pinched between the unit and the handle. Push excess cord back into the hole provided in the back of the handle.
3. Attach handle with two 5/8 inch screws in the assembly packet. Use a Phillips® head screwdriver.

Step B Attach Hose



1. Install the hose. Locate the tab on the hose adapter (shortest end).
2. Look at the opening on the top of the cleaner and locate the ledge. The tab on the hose adapter will be under the ledge in the opening when hose is installed properly.
3. Push hose adapter into opening and rotate until tab is under ledge. If installed properly, the hose cannot be lifted out of the hose opening.

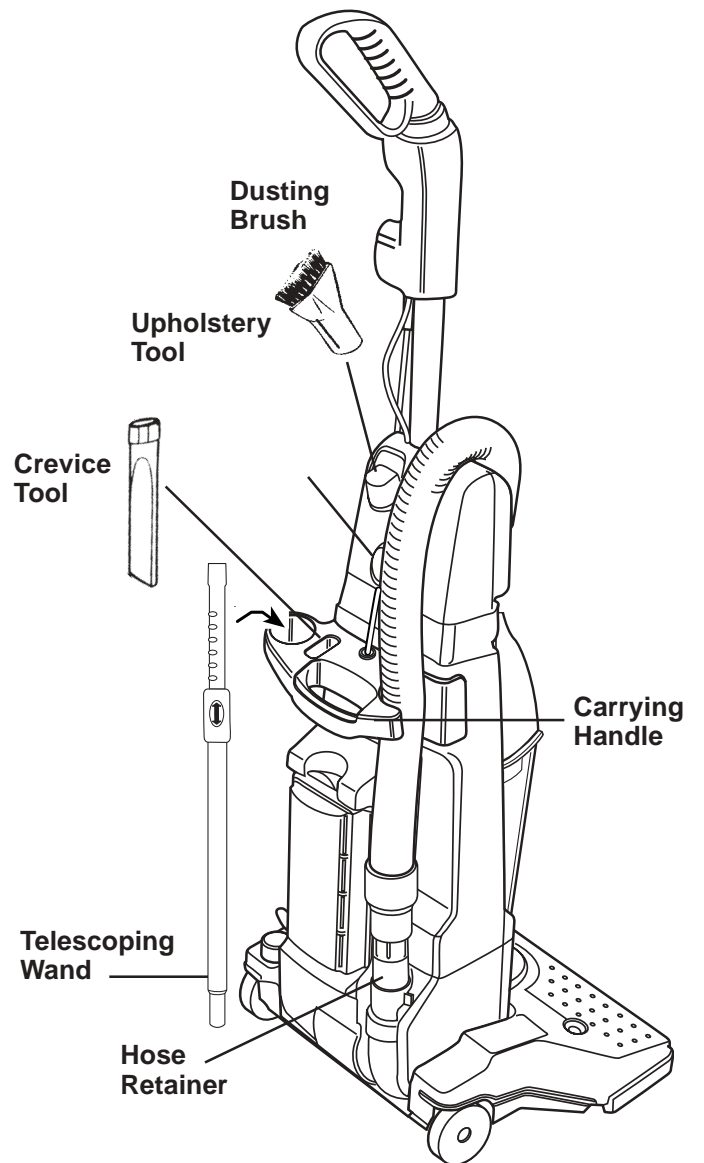
Step C Check Cyclonic Cassette



Make sure that the cyclonic cassette is fully seated in the vacuum. Place thumbs on cyclonic cassette (marked by arrows above) and push firmly.

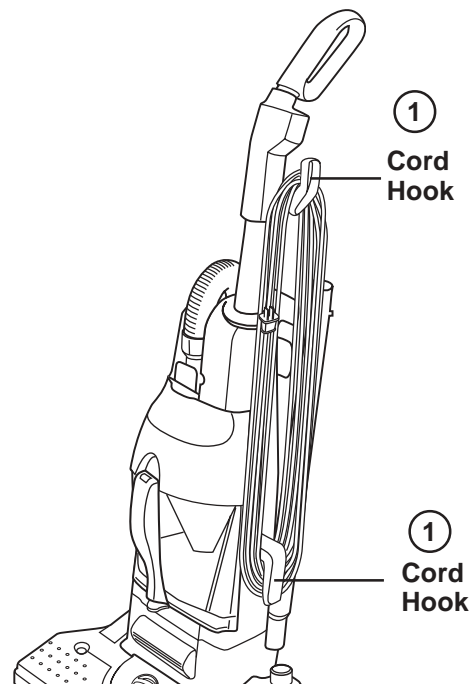
NOTE: Do not lift cleaner by cassette handle, use carrying handle on the back of cleaner. See illustration in Step D.

Step D Store Hose and Accessories



Step E Store Electrical Cord

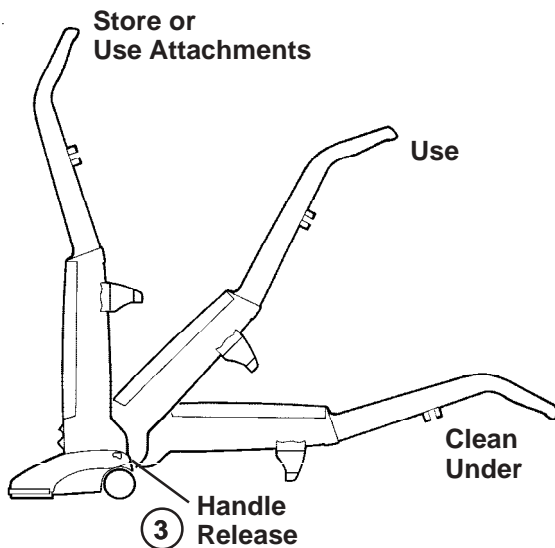
1. Wind the cord around the two cord hooks on the left side of cleaner. Turn the upper cord hook down to release the cord. Turn the hook up to store the cord.
2. Secure the plug to the cord to prevent unwinding.



HOW TO USE

The upright vacuum cleaner design allows use on multiple types of carpeting and on upholstery or bare floors with attachments. **When using the attachment tools, place the handle in the upright position. Do not place cleaner on furniture or steps as the brush roll may cause damage.**

1. Adjust cleaner height setting knob to lowest position for maximum cleaning. Adjust to a higher setting to make pushing easier. For easy adjustments, tilt the cleaner back to move the knob.
2. Plug electrical cord into outlet.
3. Step on handle release. Pull handle back to a comfortable position.
4. Push On (-) or Off (0) power switch.

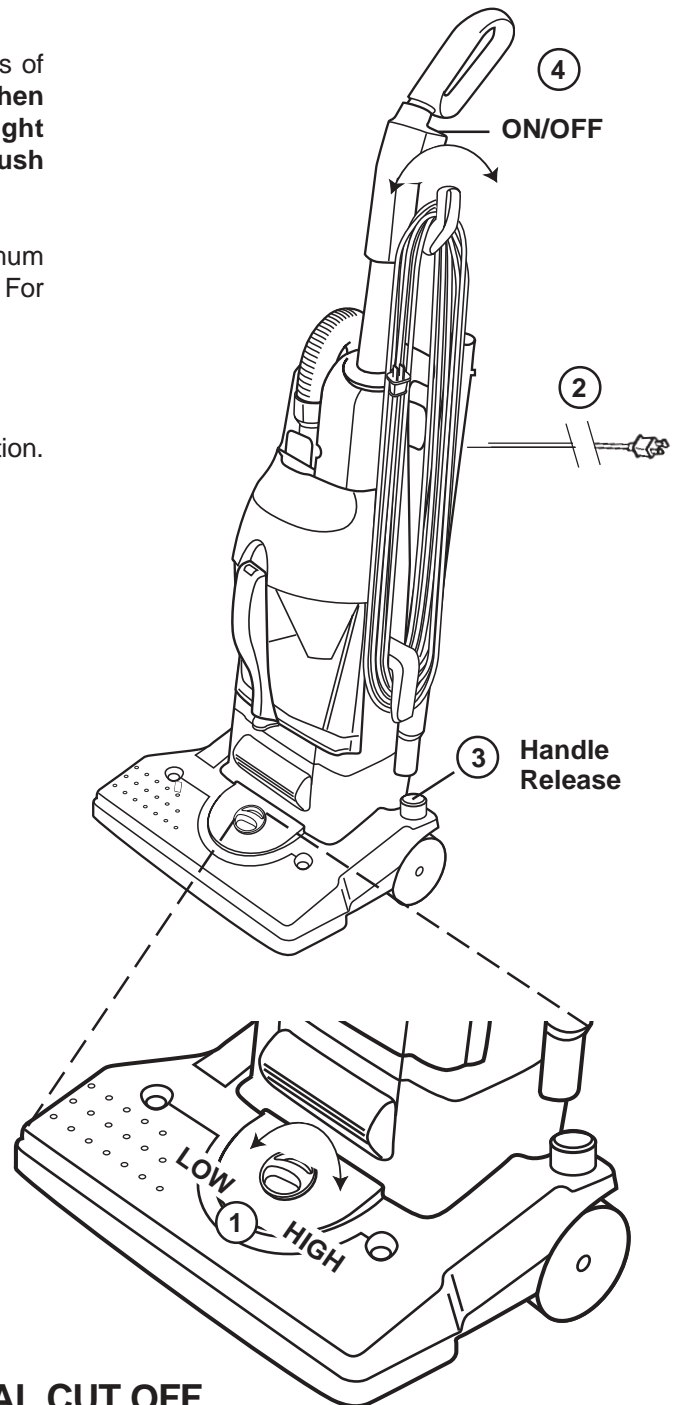


Cleaner Height Setting

WARNING: Avoid injury. Keep loose clothing, hair, fingers, and all other parts of body away from any moving part (such as the revolving brush). Turn off the switch and unplug the cleaner before changing the cleaner height setting.

The front of the cleaner has an adjustment that raises or lowers the cleaner base to match the type of carpet. With the cleaner cord unplugged, set the adjustment to lowest setting for maximum cleaning. If the cleaner is difficult to push, move adjustment to next highest setting until cleaner is comfortable to push. The brush roll must reach the carpet for effective cleaning.

Make each adjustment with cleaner switch off and cord disconnected from outlet. For ease in moving the adjustment knob, place handle in operating position and tilt cleaner back to remove weight from front wheels.



THERMAL CUT OFF

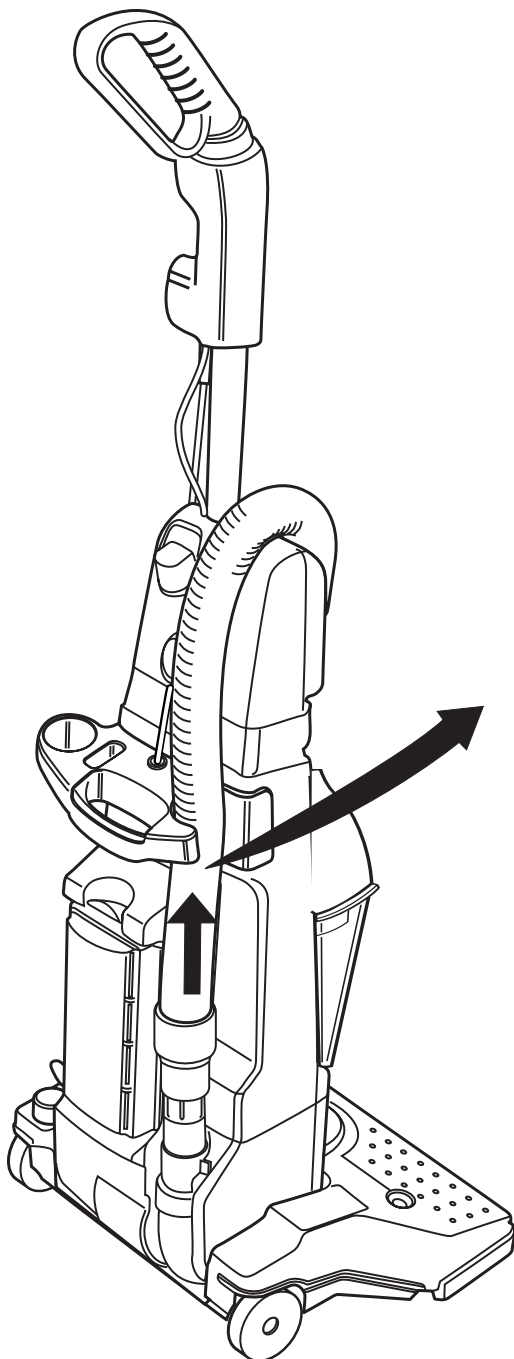
This cleaner has a special thermostat that protects the cleaner in case of motor overheating. If the cleaner suddenly turns off, follow this procedure:

1. Push power switch off.
2. Unplug cleaner.
3. Check for source of overheating problem (i.e. full cyclonic cassette, clogged hose or clogged filter).
4. If a full cyclonic cassette, clogged hose or clogged filter is found, empty the cyclonic cassette, unplug the hose or replace the filters.
5. Wait at least 30 minutes before attempting to reuse the cleaner.
6. After 30 minute cool down period, plug the cleaner in and push the power switch on. The cleaner should turn on.
7. If the cleaner still does not operate, take it to any Eureka Authorized Service Center for repair.

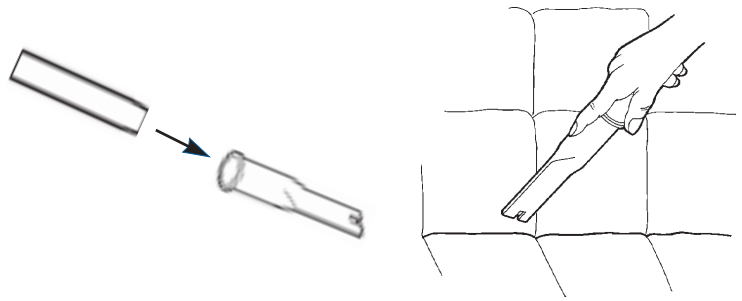
How To Use Accessories

NOTE: Do not place cleaner on furniture or steps as the brush roll may cause damage. Place cleaner on floor with the handle in storage position while using accessories.

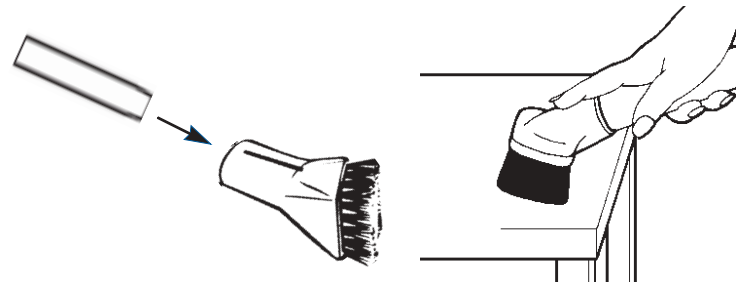
1. Remove hose from rear of cleaner.
2. Place desired accessory onto end of hose or wand.



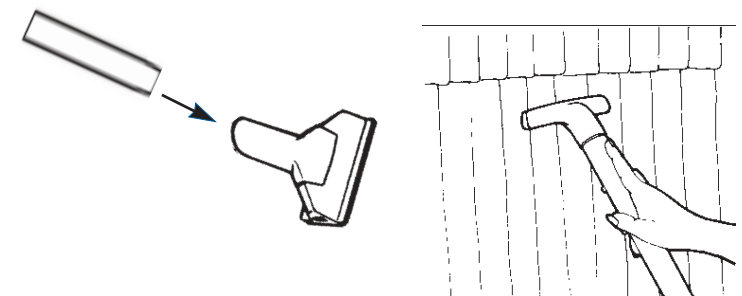
Crevice tool cleans corners, baseboards, between cushions, sliding door tracks.



Dusting Brush is for furniture, blinds, books, lamp shades, shelves.



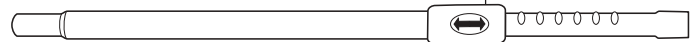
Upholstery nozzle is for curtains, draperies, cushions, fabrics.



Telescoping Wand

To adjust the length of the telescoping wand, hold the wand adjustment collar in one hand while pulling or pushing the wand with the other hand until you have the desired length.

Wand Adjustment Collar



HOW TO MAINTAIN

The instructions in this booklet serve as a guide to routine maintenance. To avoid unnecessary service calls, check the cyclonic cassette, belt, and brush roll often.

How To Empty Cyclonic Cassette

NOTE: Turn off the switch and unplug the electrical cord before emptying cyclonic cassette. Never operate the vacuum cleaner without the cyclonic cassette or filters.

EUREKA RECOMMENDS EMPTYING THE CYCLONIC CASSETTE AFTER EACH USE AT A MINIMUM. DO NOT OVERFILL.

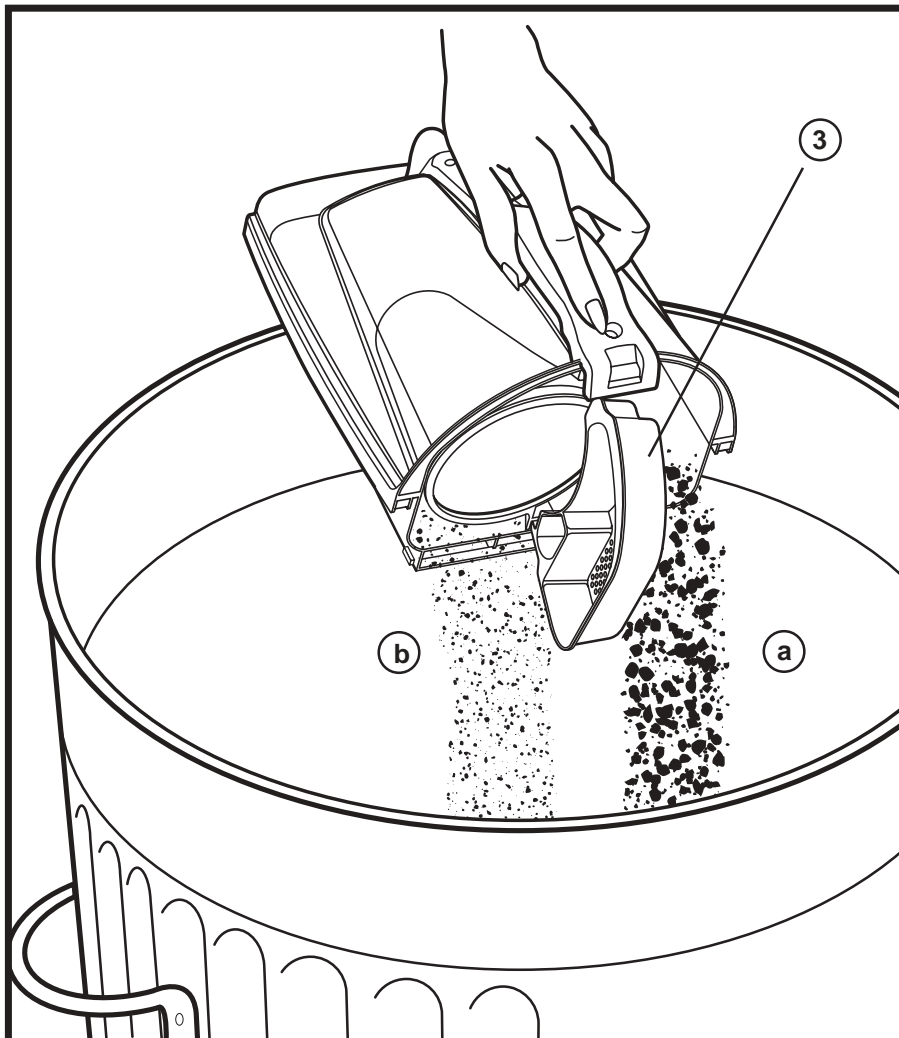
Emptying the Cyclonic Cassette:

It is clearly visible when the dust compartment is full and needs emptying. Lift screen as shown (3) to completely empty cyclonic cassette. It is possible to clean out the cyclonic cassette by using another vacuum.

CAUTION: The cyclonic cassette can be washed in warm water, if desired, **but** strong detergents should not be used. Dry thoroughly before using again.

NOTE: The compartment with the screen (a) will fill much faster with larger dirt particles than the compartment with the cone (b). This is normal. Empty the cyclonic cassette when the side with the screen is full. Do not wait for the side with the cone to fill completely.

An over full cyclonic cassette will allow dirt to back up in the hose resulting in a clog. It will also allow dirt to pass directly into the micron filter resulting in a drop in performance. Therefore, empty the cyclonic cassette often.

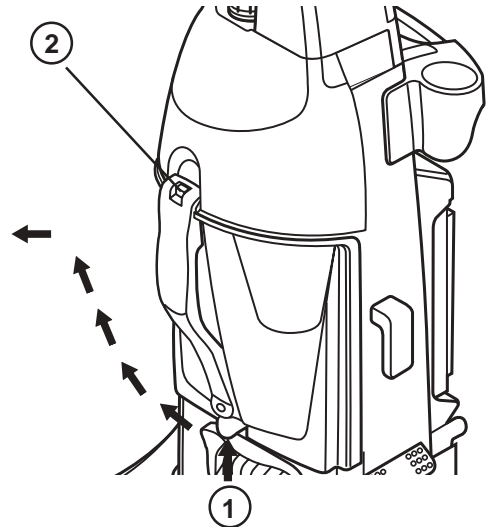


HOW TO MAINTAIN (continued)

To Change Cassette Micron Filter:

NOTE: Turn off the switch and unplug the electrical cord before changing the Cassette Micron Filter. Never operate the vacuum cleaner without the cyclonic cassette or the filter.

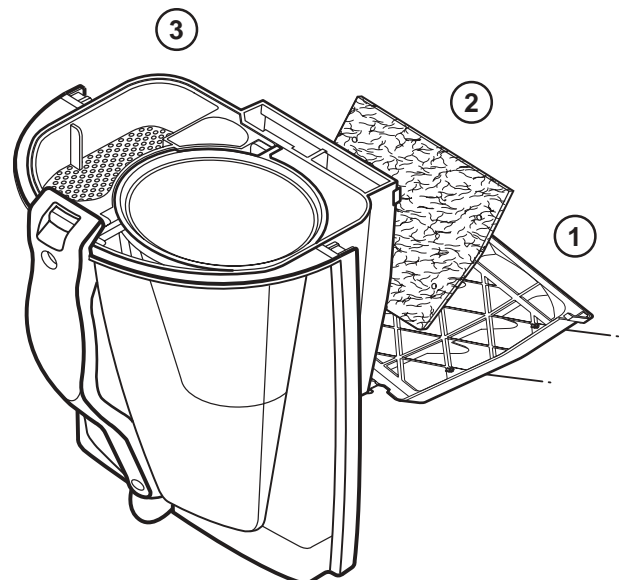
Remove cyclonic cassette by pushing up lever (1), unhooking (2) by swinging outward from vacuum body. When replacing cyclonic cassette, hook at top where shown (2), and swing back into place until lever (1) snaps into place.



Check and clean the Cassette Micron Filter at least once a month to maintain good performance. The filter can be cleaned by vacuuming with another cleaner or brushing dust off into the trash. Recommended changing of the Cassette Micron Filter is once every three months.

To change the Cassette Micron Filter:

1. Remove the filter frame by grasping the handle on the back of the filter frame and pulling firmly. The filter frame will drop down staying connected at the hinges on the bottom.
2. Remove old filter from filter frame and replace with a new filter.
3. Reconnect filter frame to cassette body by swinging filter frame up and pushing against cassette body until it snaps into place.



Use **GENUINE EUREKA** replacement filter, 28115A. Look for the **GENUINE EUREKA** product symbol.

HOW TO MAINTAIN (continued)

Brush Roll

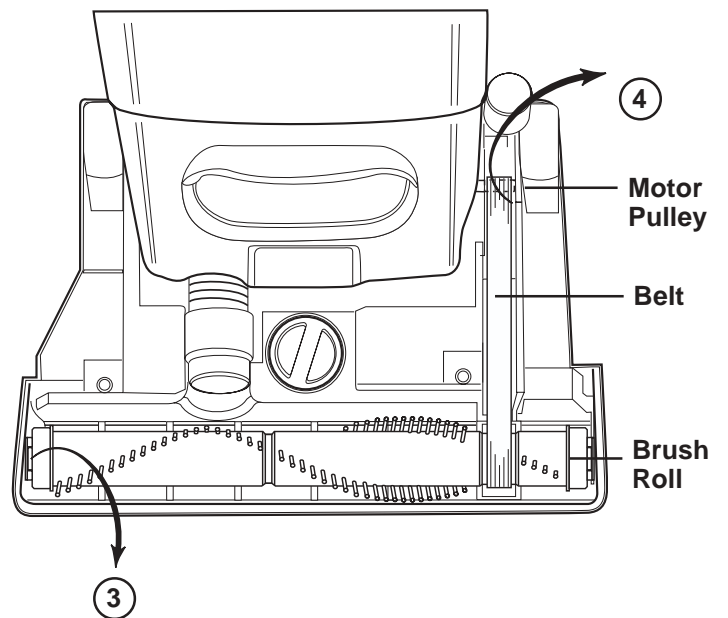
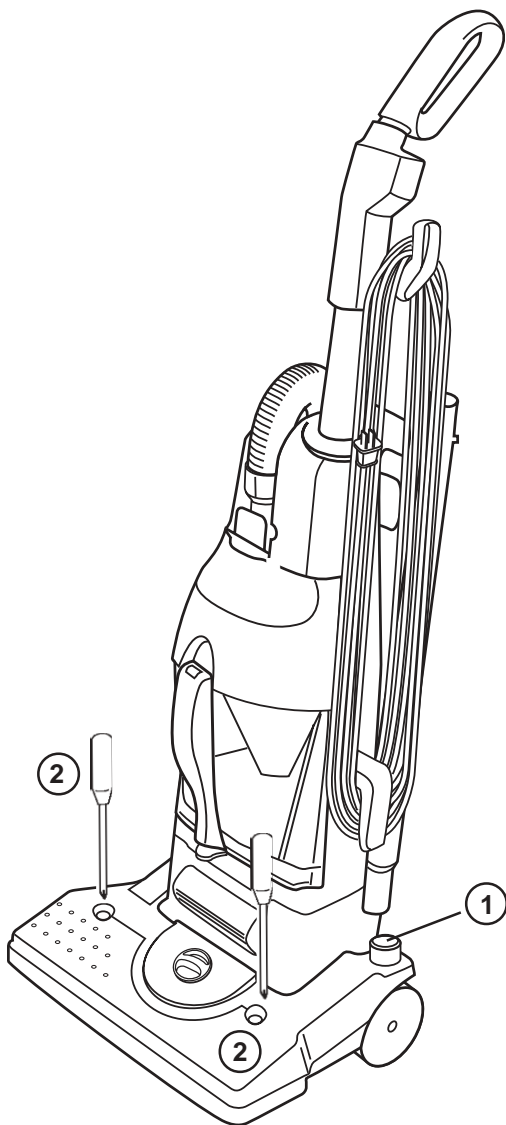
The brush roll turns as it sweeps and combs the carpet nap. Remove hair and threads from the brush roll so it continues brushing the carpet. To maintain the most efficient cleaning, the bristles must touch the carpet. To test the bristle length, hold a ruler against the underneath side of the cleaner. If the bristles no longer touch the ruler, replace the brush roll.

Brush Roll Belt

The brush roll belt turns the brush roll to agitate, sweep, and comb the carpet nap. Check the belt regularly to be sure it is in good condition. Replace the belt if it stretches, cracks or loses tension. Cut away any hair or threads wound around the brush roll or the belt pulley because the buildup could cause the belt to rotate unevenly.

How To Replace Brush Roll Belt

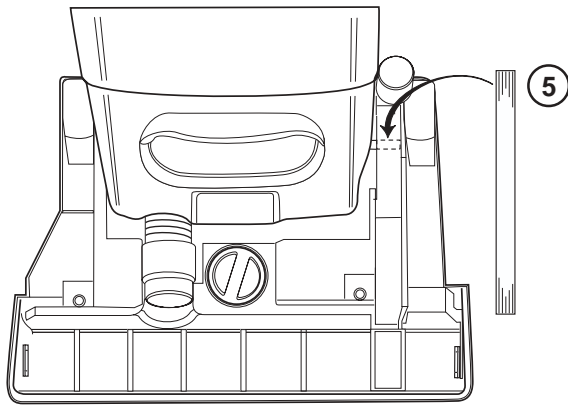
NOTE: Turn off the switch and unplug the electrical cord before replacing belt. Belt pulleys can become hot during normal use. To prevent injury, avoid touching the motor pulley when checking the belt.



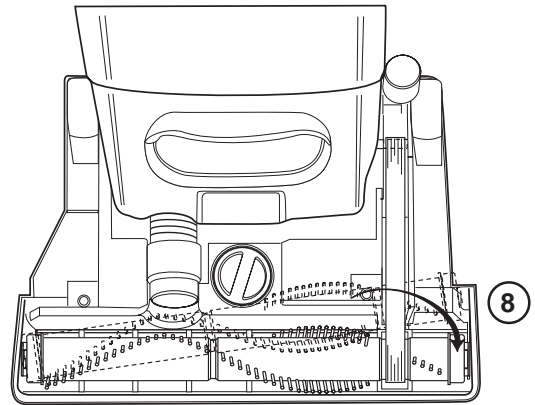
1. Lower handle to floor to change belt.
2. Loosen the two fasteners located on the top of the hood and lift upward. These fasteners need only a quarter turn to lock or unlock the hood.

3. Lift left end of brush roll.
4. Remove and discard belt.

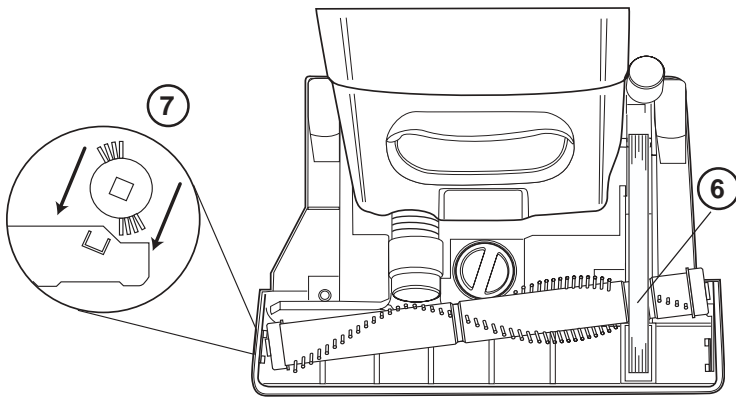
How To Replace Brush Roll Belt (continued)



5. Place new belt around motor pulley.

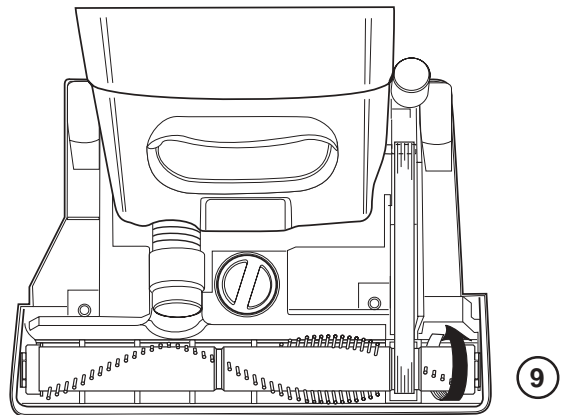


8. Pull right side of brush roll to stretch belt. Secure right end cap into base.



Left side view

- 6. Place belt around brush roll.
- 7. Align left end cap with square in base. Push end cap into place; see left side view.



- 9. Rotate brush roll to seat belt.
- 10. Replace the hood. Make sure hood front is behind furniture guard. Hood should seat onto self-locating fastener tabs.
- 11. Turn fasteners 1/4 turn to lock.

Use **GENUINE EUREKA** replacement belt, 54312.

Look for the **GENUINE EUREKA PRODUCT** product symbol.

How to Check and Clear Hose Blockages

Low suction or poor pickup may be due to a blockage in the vacuum cleaner.

1. Remove hose and check suction at end of hose - if little or no suction, check cyclonic cassette. Empty if needed. If no improvement proceed to Step 2.

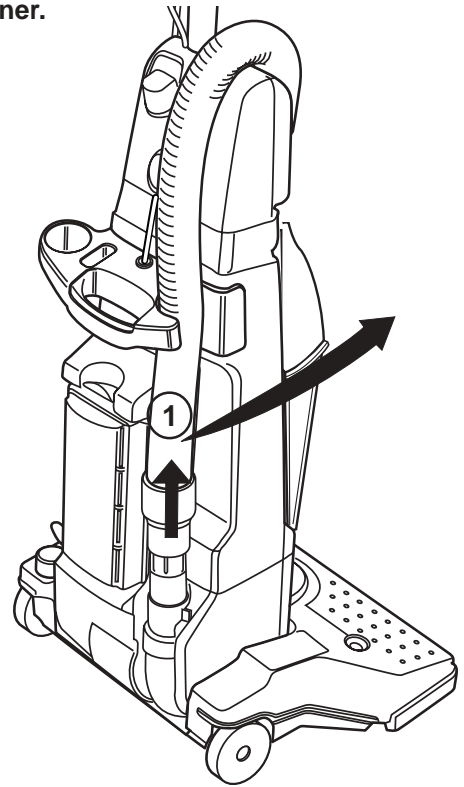
NOTE: Turn off the switch and unplug the electrical cord before clearing hose.

2. Remove hose adapter from opening, twist hose adapter clockwise and lift upward.

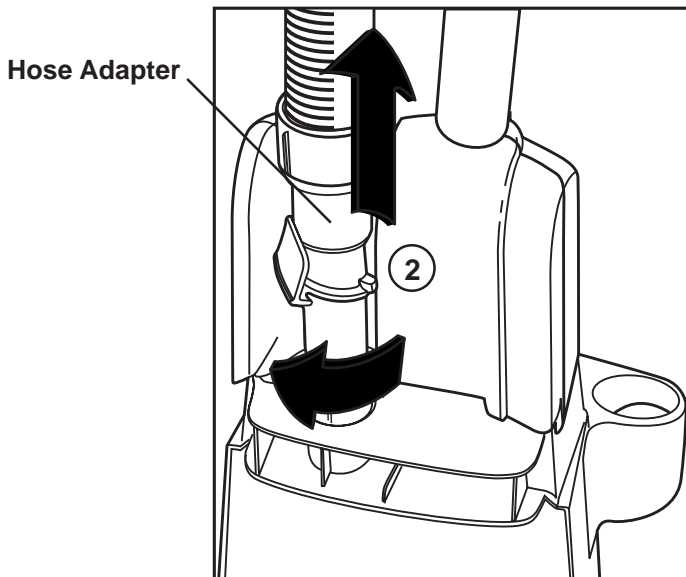
Once the hose is removed from the cleaner check for any obstructions that may be in the hose. Any obstructions can be removed by using a blunt instrument to clear the hose. Flexing the hose may help loosen the clog.

3. Reinstall the hose after clearing the clog. Make sure the hose is inserted into the top of the vacuum cleaner.

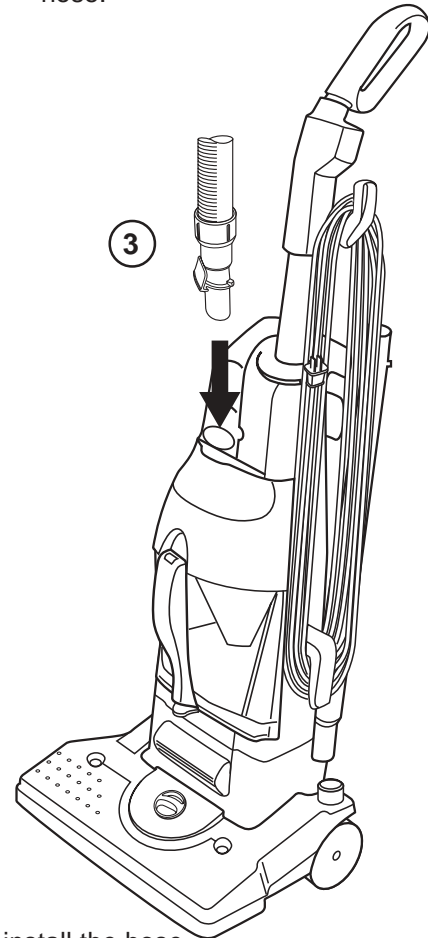
NOTE: If no improvement in performance on carpet, proceed to following page.



1. Remove hose and check suction at end of hose.

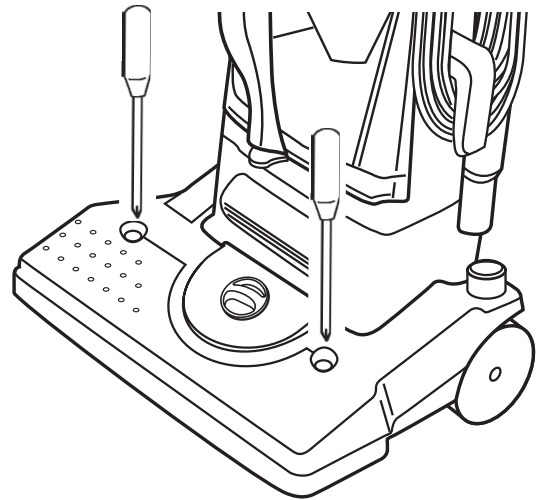
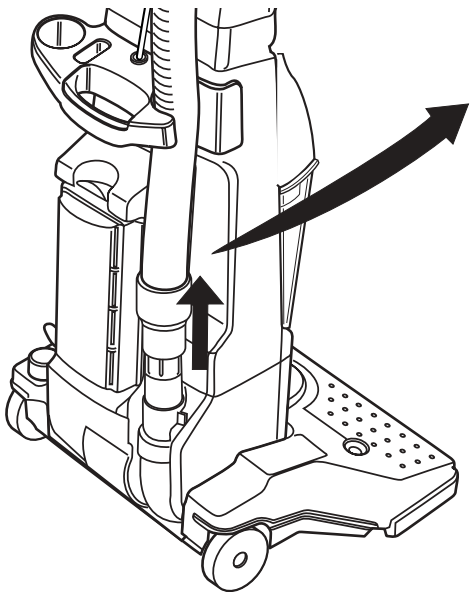


2. Remove hose adapter by twisting clockwise and lifting upward. Check hose for blockages.



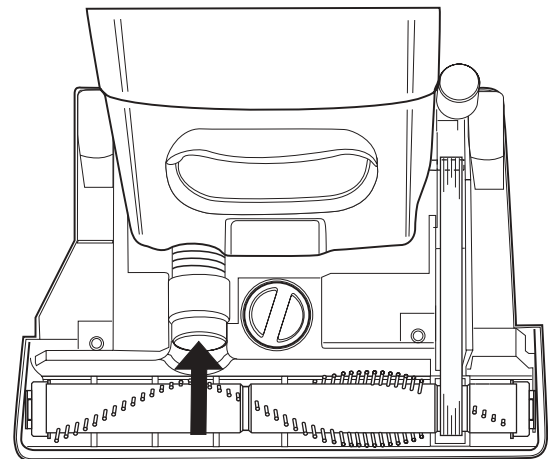
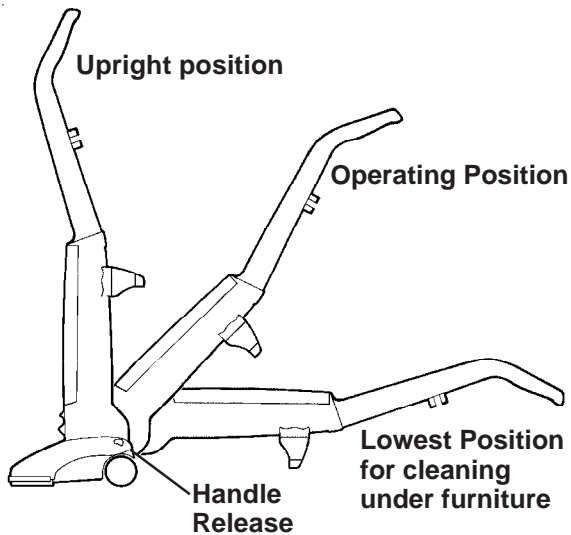
3. Reinstall the hose.

How to Check and Clear Blockages in Base



1. Remove the attachment hose from the lower hose retainer and look into the hose retainer for any obstructions. Proceed to Step 2 to check for any other blockages.

2. Remove the hood by loosening the two fasteners located on the top of the hood and lifting upward. These fasteners need only a quarter turn to lock or unlock the hood. (See padlock graphics on the hood.)



3. Step on the handle release and lower the handle all the way to the floor.

4. Check for blockages in the brush roll area and remove any obstructions found there. The base hose can be cleared of any blockage by using a blunt instrument.

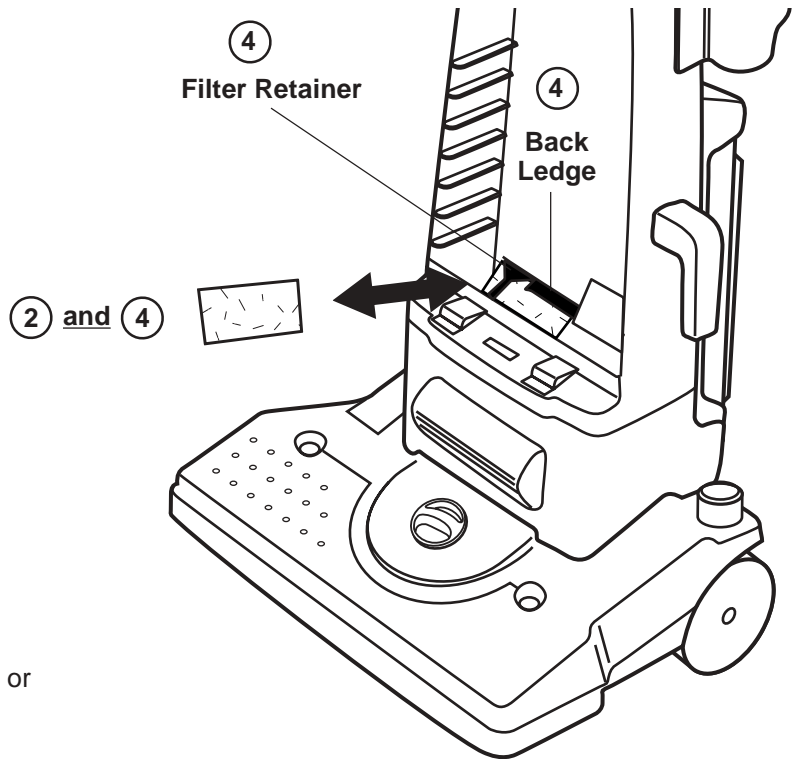
5. After the blockage is removed, replace the hood and tighten the two hood screws (see Figure 2). Raise the handle to the upright position (see Figure 3) and replace the hose into the lower hose retainer.

Motor Filter

Check the motor filter each time you empty the cyclonic cassette. Clean or replace as needed.

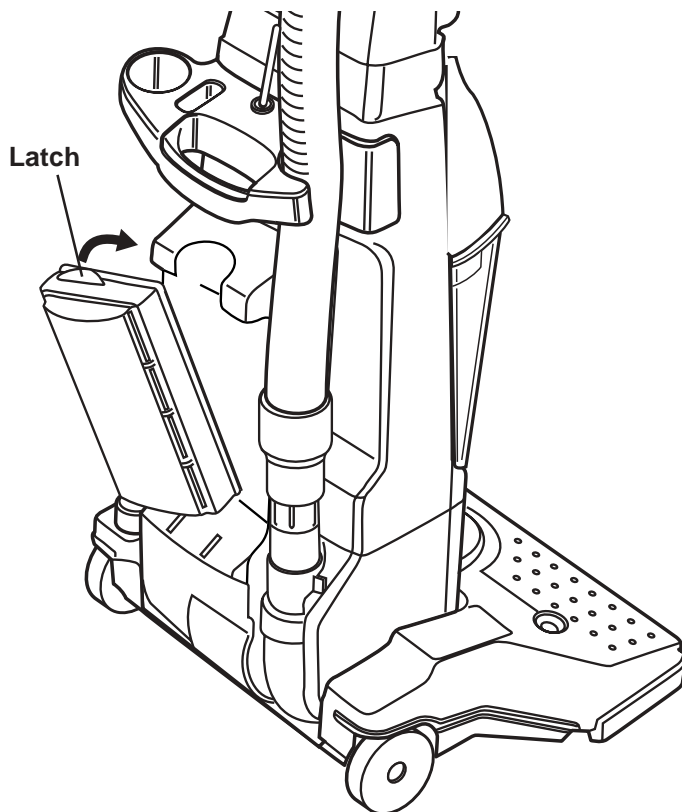
To Clean Motor Filter

1. Remove cyclonic cassette from unit.
2. Remove filter from inside compartment, lower left side.
3. Shake filter or vacuum with another cleaner to remove excess dust.
4. Reinstall filter. Slide under back ledge and filter retainer. Install with colored/smooth side down.



HEPA Filter

Check the HEPA filter frequently. Replace twice a year or as needed.



To remove HEPA Filter

1. Push down latch and pull HEPA filter back.
2. Then lift filter up and remove.

To replace HEPA Filter

1. Place bottom tabs of filter into slots.
2. Rotate filter toward cleaner.
3. Push upward on the latch to secure into place.

A Note on Filters

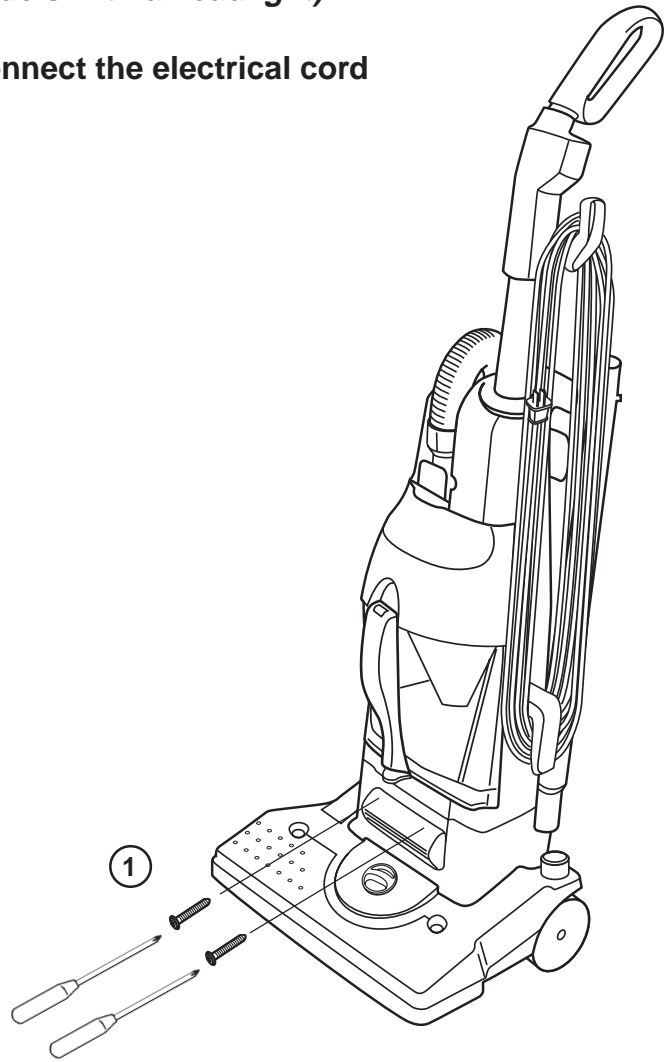
When vacuuming carpet fresheners or cleaners, powder, plaster dust, or similar fine substances, the cyclonic cassette and filters may require more frequent maintenance.

Obtain replacement filters from a local dealer or order them from The Eureka Company, Bloomington, IL.

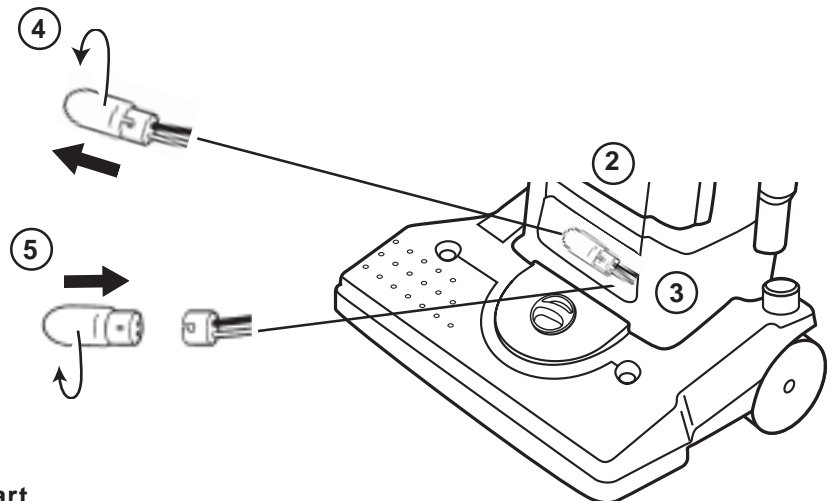
How To Change Light Bulb *(only for models with a headlight)*

NOTE: Turn off the power switch and disconnect the electrical cord before changing light bulb.

1. Remove two screws from lens cover.
2. Pull lens cover from cleaner.



3. Support socket with one hand and push light bulb into socket; turn to release.
4. Place new light bulb into socket; turn to secure.
5. Push light bulb and socket back so bulb will not touch lens cover.
6. Replace lens cover.
7. Secure with two screws.



Use 15 watt replacement light bulb, part number 48815.

PROBLEM SOLVING

NOTE: Turn off the switch and unplug the electrical cord before servicing.

PROBLEM	CAUSE	SOLUTION
Motor will not start.	<input checked="" type="checkbox"/> Electric Plug	<input type="checkbox"/> Push plug securely into outlet. <input type="checkbox"/> Try another outlet. <input type="checkbox"/> Check circuit breaker.
Motor suddenly stops.	<input checked="" type="checkbox"/> Thermal Cut Off	<input type="checkbox"/> Refer to page 7.
Does not clean the carpet or floor.	<input checked="" type="checkbox"/> Filters <input checked="" type="checkbox"/> Cyclonic Cassette <input checked="" type="checkbox"/> Belt <input checked="" type="checkbox"/> Belt Cover <input checked="" type="checkbox"/> Brush Roll <input checked="" type="checkbox"/> Hose	<input type="checkbox"/> Clean or replace the filter(s). Hint: If picking up fine dust, the cyclonic cassette may <u>not</u> look full but a fine substance tends to reduce suction when it blocks the airflow through the filter(s). <input type="checkbox"/> Be sure hose adapter inserts into cyclonic cassette. <input type="checkbox"/> Be sure the cyclonic cassette is properly seated into the cassette body. See page 6. <input type="checkbox"/> Empty cyclonic cassette. Note: There are two chambers in the cyclonic cassette. The chamber with the screen will fill much faster than the chamber with the cone. This is normal. When the chamber with the screen is full, empty cyclonic cassette. Do not wait till the chamber with the cone is full. See page 9. <input type="checkbox"/> Replace a cut, loose or out of shape belt. <input type="checkbox"/> Snap the belt cover inside the hood if it comes loose. <input type="checkbox"/> Clean hair and thread from bristles and end cap area. Replace brush roll if bristles are worn. <input type="checkbox"/> Remove any clogs from the hose that restrict the airflow. Check short hose in the base and long hose. Refer to page 13 & 14.
No suction at the end of the hose.	<input checked="" type="checkbox"/> Hose Adapter <input checked="" type="checkbox"/> Filter(s) <input checked="" type="checkbox"/> Hose	<input type="checkbox"/> Hose adapter has to seat inside the cyclonic cassette. <input type="checkbox"/> Clean or replace the filter(s). Hint: If picking up fine dust, the cyclonic cassette may <u>not</u> look full, but a fine substance tends to reduce suction when it blocks the airflow through the cyclonic cassette and filter(s). <input type="checkbox"/> Remove any clogs from the hose that restrict the airflow. Check short hose in the base and long hose. Refer to page 13 & 14.
Headlight not working.	<input checked="" type="checkbox"/> Light Bulb	<input type="checkbox"/> Replace light bulb. Refer to page 16.
Noise from the brush roll area.	<input checked="" type="checkbox"/> Brush Roll <input checked="" type="checkbox"/> Belt	<input type="checkbox"/> Remove hood and clean debris or items from the brush roll area. <input type="checkbox"/> Replace a cut, loose or out of shape belt.
Cleaner is hard to push.	<input checked="" type="checkbox"/> Cleaner Height Setting <input checked="" type="checkbox"/> Belt	<input type="checkbox"/> Put handle in operating position. Tilt the cleaner back to raise the front wheels off floor. Then turn the knob to a higher setting. <input type="checkbox"/> Replace a cut, loose or out of shape belt.
Cleaner height knob will not turn.	<input checked="" type="checkbox"/> Cleaner Height Setting	<input type="checkbox"/> Hint: Put handle in operating position. Tilt the cleaner back to raise the front wheels off floor. Then turn the knob.

THE SANITAIRE® COMMERCIAL LIMITED WARRANTY WHAT THIS WARRANTY COVERS

Your Sanitaire commercial cleaner is warranted to be free from all defects in material and workmanship in normal use FOR A PERIOD OF ONE YEAR. The warranty is granted only to the original purchaser of the cleaner. The warranty is subject to the following provisions.

WHAT THIS WARRANTY DOES NOT COVER

- Parts of the cleaner that require replacement under normal use, such as bumpers, bags, bristle strips, belts, light bulbs, hoses, and impellers.
- Damages or malfunctions caused by negligence, abuse, or use not in accordance with Owner's Guide.
- Defects or damages caused by unauthorized service or the use of other than Genuine Eureka parts.

WHAT THE EUREKA COMPANY WILL DO

The Eureka Company will, at its option, repair or replace a defective cleaner or cleaner part that is covered by this warranty. As a matter of warranty policy, the Eureka Company will not refund the consumer's purchase price.

WARRANTY REGISTRATION

Please fill out and return the warranty registration card accompanying your cleaner.

OBTAINING WARRANTY SERVICE

To obtain warranty service you must return the defective cleaner or cleaner part along with proof of purchase to any Eureka/Sanitaire Authorized Warranty Station. You will find the nearest location in the Yellow Pages under "Vacuum Cleaners-Service and Repair." Be certain that the Warranty Station is "Eureka/Sanitaire Authorized." For the location of the nearest Eureka/Sanitaire Authorized Warranty Station or for service information, telephone toll free:

USA: 1-800-282-2886

Mexico: 5670-6169

Canada: 1-800-282-2886

If you prefer, you can write to:

The Eureka Company
Service Division
807 North Main Street
Bloomington, IL 61701, USA

In Canada write to:
The Eureka Company
866 Langs Drive
Cambridge, Ontario N3H 2N7

If it is necessary to ship the cleaner outside your community to obtain warranty repair, you must pay the shipping charges to the Eureka/Sanitaire Authorized Warranty Station. Return shipping charges will be paid by the Warranty Station. When returning parts for repair, please include the model, type, and serial numbers from the data plate on the cleaner.

FURTHER LIMITATIONS AND EXCLUSIONS

Any warranty that may be implied in connection with your purchase or use of the cleaner, including any warranty of MERCHANTABILITY or any warranty for FITNESS FOR A PARTICULAR PURPOSE is limited to the duration of this warranty. Some states do not allow limitations on how long an implied warranty lasts, so the above limitations may not apply to you.

Your relief for the breach of this warranty is limited to the relief expressly provided above. IN NO EVENT SHALL EUREKA BE LIABLE FOR ANY CONSEQUENTIAL OR INCIDENTAL DAMAGES THAT YOU MAY INCUR IN CONNECTION WITH YOUR PURCHASE OR USE OF THE CLEANER. Some states do not allow the exclusion or limitation of incidental or consequential damages, so the above limitation or exclusion may not apply to you.

This warranty gives you specific legal rights. You may also have other rights which vary by State.



The Eureka Company
Bloomington, Illinois 61701

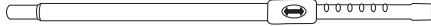
Assembly Items in This Carton



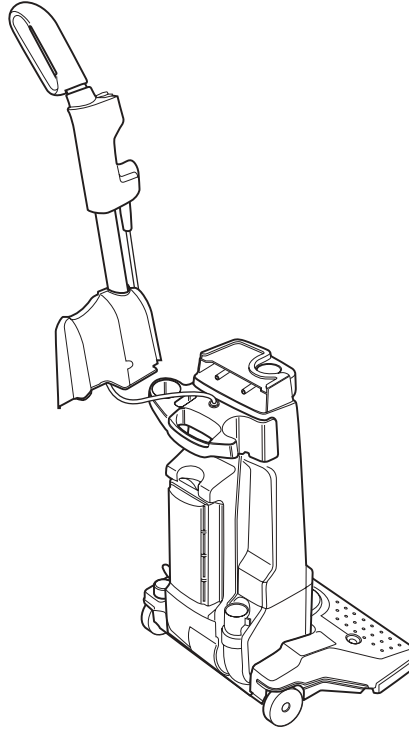
1 crevice tool



1 hardware package (2 screws)



1 telescoping wand



1 cleaner connected to handle by cord



1 dusting brush



1 upholstery brush



1 hose adapter w/hose

Thank you for selecting a Eureka cleaner.

**Don't Forget to Use
Genuine Eureka
Filters and Belts**