



**COLUMBIA COMPANY**  
Main offices and Factory:  
Pottstown, PA

**Models**  
CEG075EID  
CEG112EID  
CEG150EID  
CEG187EID  
CEG225EID  
CEG262EID  
CEG299EID

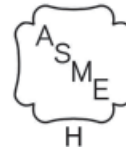


# **CEG-E** GAS-FIRED STEAM BOILERS

## **INSTALLATION, OPERATION & MAINTENANCE MANUAL**



**MODEL  
CEGEID**  
Electronic  
Intermittent  
Ignition



**Manufactured by:**  
**ECR International, Inc.**  
2201 Dwyer Avenue, Utica NY 13501  
web site: [www.ecrinternational.com](http://www.ecrinternational.com)

P/N# 240009938, Rev. A [12/2012]

## DIMENSIONS

Figure 1 - Dimensions

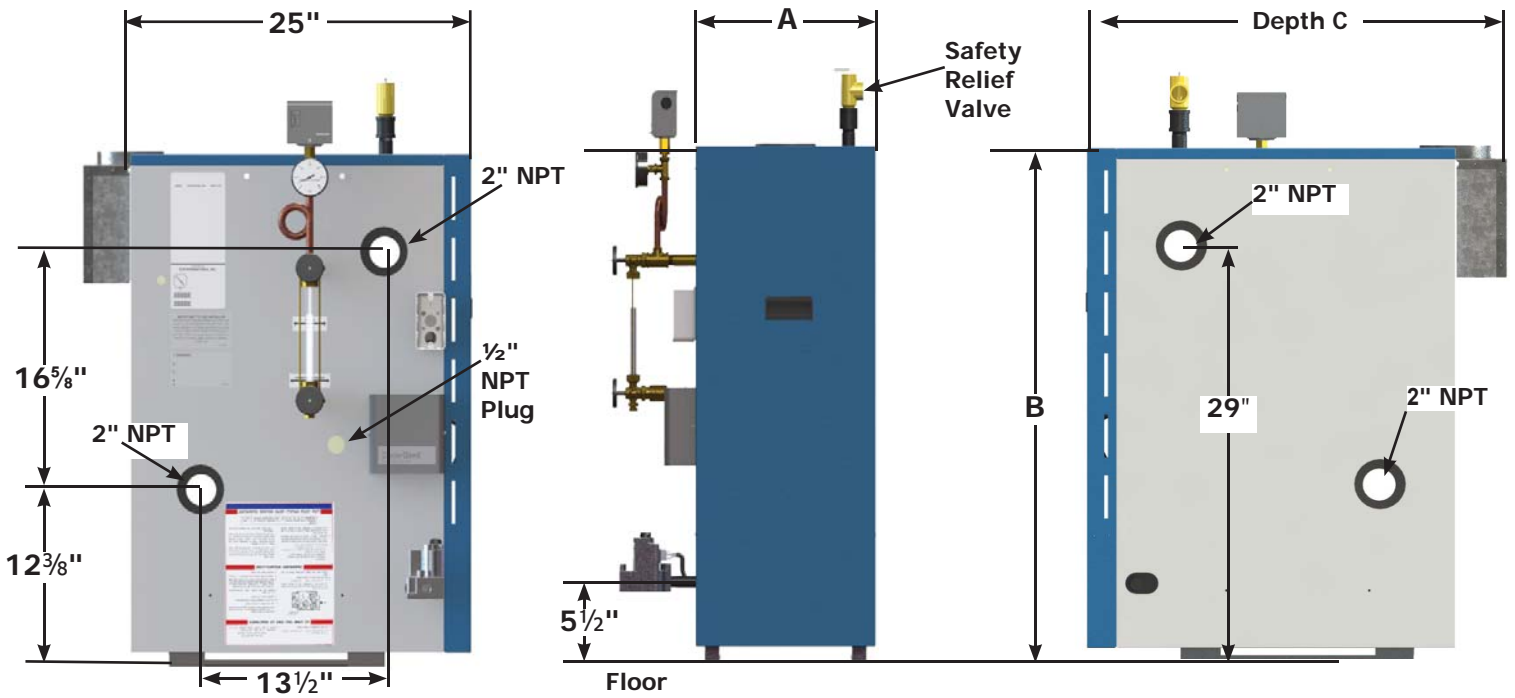



Table 1 - Physical Data

Models		075	112	150	187	225	262	299
Width (A)		10 <sup>7</sup> / <sub>8</sub> "	14 <sup>1</sup> / <sub>8</sub> "	17 <sup>3</sup> / <sub>8</sub> "	20 <sup>5</sup> / <sub>8</sub> "	23 <sup>7</sup> / <sub>8</sub> "	27 <sup>1</sup> / <sub>8</sub> "	30 <sup>3</sup> / <sub>8</sub> "
Height (B)		35 <sup>7</sup> / <sub>8</sub> "						
Depth (C)		28 <sup>3</sup> / <sub>8</sub> "	28 <sup>3</sup> / <sub>8</sub> "	29 <sup>3</sup> / <sub>8</sub> "	30 <sup>3</sup> / <sub>8</sub> "	30 <sup>3</sup> / <sub>8</sub> "	30 <sup>3</sup> / <sub>8</sub> "	30 <sup>3</sup> / <sub>8</sub> "
Gas Connection	Size (G)	1/2 NPT	1/2 NPT	1/2 NPT	3/4 NPT	3/4 NPT	3/4 NPT	3/4 NPT
Flue Diameter		5"	5"	6"	7"	7"	7"	7"

 <b>Table 2 Ratings and Capacities Natural Gas &amp; Propane (LP)</b>							
Boiler Model Number	Input MBH (1)	Heating Capacity MBH (1)	Net AHRI Rating (2)		AFUE, %	No. of Sections	Vent Pipe Size
			Steam, MBH	Steam, Sq. Ft.			
<b>CEG075EID</b>	75	62	47	195	82.2	3	5"
<b>CEG112EID</b>	112	93	70	292	82.4	4	5"
<b>CEG150EID</b>	150	125	94	391	82.6	5	6"
<b>CEG187EID</b>	187	156	117	488	82.8	6	7"
<b>CEG225EID</b>	225	188	141	587	83.0	7	7"
<b>CEG262EID</b>	262	219	164	685	83.2	8	7"
<b>CEG299EID</b>	299	250	188	782	83.4	9	7"

Heating Capacity and AFUE are based on DOE (Department of Energy) test procedures.

1. Input rating for sea level to 2,000 ft. above sea level. Altitudes over 2000 ft. above sea level, reduce input rate 4% for every 1000 ft.
2. Net AHRI steam ratings shown are based on a piping and pickup allowance of 1.333. Consult manufacturer before selecting a boiler for installations having unusual piping and pickup requirements, such as intermittent system operation, extensive piping systems, etc.

## TABLE OF CONTENTS

Important Safety Information.....	5
Locating the Boiler.....	6
Hydronic Piping.....	8
Fresh Air for Combustion.....	12
Chimney and Vent Pipe Connection.....	13
Vent Damper Operation.....	15
Gas Supply Piping.....	16
Electrical Wiring.....	17
Operating Instructions.....	18
Operating Your Boiler.....	19
Checking and Adjusting.....	20
Start-up Cleaning.....	22
General Maintenance.....	23
Troubleshooting.....	24
Wire Diagrams.....	25
Optional Hydronic Piping.....	28

### Introduction

Boiler is designed for use in closed heating systems where all steam is returned as condensate and make-up water is minimal. Boiler is not designed for or intended for use in open systems using 100% make-up water.

### Prior to Installation

- Verify correct boiler for type of gas being used natural or propane. See Rating Plate.
- Verify boiler size and dimensions. See Figure 1 and Table 1, page 2.
- Verify ratings and capacity data for natural gas. See Table 2.

### Installation Requirements

- Supply boiler with correct gas (natural or propane), fresh air for combustion, and suitable electrical supply.
- Connect boiler to adequate venting and piping systems.
- Provide boiler with properly located and adjusted thermostat.

Installation of boiler in building under construction, use precaution to insure clean combustion air supply during construction process. Airborne particulate from construction materials can clog burner ports and cause incomplete combustion and sooting.

**Complete all steps for safe and proper heating system operation.**

KEEP THIS MANUAL NEAR BOILER  
RETAIN FOR FUTURE REFERENCE

## GAS FIRED STEAM BOILERS

Information and specifications outlined in this manual in effect at the time of printing of this manual. Manufacturer reserves the right to discontinue, change specifications or system design at any time without notice and without incurring any obligation, whatsoever.

## IMPORTANT SAFETY INFORMATION

### General

Boiler and venting installation shall be completed by qualified agency.

#### **WARNING**

Fire, explosion, asphyxiation and electrical shock hazard. Improper installation could result in death or serious injury. Read this manual and understand all requirements before beginning installation.

*Become familiar with symbols identifying potential hazards.*



This is the safety alert symbol. Symbol alerts you to potential personal injury hazards. Obey all safety messages following this symbol to avoid possible injury or death.

#### **DANGER**

Indicates a hazardous situation which, if not avoided, WILL result in death or serious injury.

#### **WARNING**

Indicates a hazardous situation which, if not avoided, could result in death or serious injury.

#### **CAUTION**

Indicates a hazardous situation which, if not avoided, may result in minor or moderate injury.

#### **NOTICE**

Used to address practices not related to personal injury.

*Installation shall conform to requirements of authority having jurisdiction or in absence of such requirements to the National Fuel Gas Code, ANSI Z223.1/NFPA 54.*

*Where required by authority having jurisdiction, installation shall conform to Standard for Controls and Safety Devices for Automatically Fired Boilers, ANSI/ASME CSD-1. Controls can be added to make this boiler CSD-1 compliant. Check with your local codes for requirements.*

*Requirements for Commonwealth of Massachusetts:  
Boiler installation must conform to Commonwealth of Massachusetts code 248 CMR which includes but is not limited to installation by licensed plumber or gas fitter.*

#### **WARNING**

Installing or venting a boiler or any other gas appliance with improper methods or materials could result in death or serious injury due to fire or to asphyxiation from poisonous gases such as carbon monoxide which is odorless and invisible.

#### **WARNING**

Fire, explosion, asphyxiation hazard. Keep boiler area clear and free from combustible materials, gasoline and other flammable vapors and liquids.

Modification, substitution or elimination of factory equipped, supplied or specified components could result in death or serious injury.

## LOCATING THE BOILER

### Locating the Boiler

1. Select level location as centralized with piping system, and as near chimney as possible.
2. Place crated boiler at selected location. Remove all crate material. Please recycle responsibly.

### ⚠ WARNING

Fire hazard. Do not install boiler on combustible flooring or carpeting. Failure to follow these instructions could result in death or serious injury.

3. **Do not install boiler on carpeting. For installation on non-combustible floors only.** For installation on combustible flooring, special base must be used. (See Replacement Parts Manual.)
4. Use metal shims under boiler base legs for final leveling if needed.
5. Install boiler in location that permits satisfactory combustion of gas, proper venting, and maintenance of ambient temperature at safe limits under normal conditions of use. Boiler location should not interfere with proper circulation of air. Introduce outside air if normal infiltration does not provide necessary air. "Fresh Air for Combustion" on page 12.
6. Notify owner to keep air passages free of obstruction. Ventilating and combustion air must enter boiler room without restrictions.

Table 3 - Minimum Clearance Dimensions	
Top	6"
Rear	6"
Control Side	7"
Opposite Side	6"
Front	Alcove
Flue/Vent Connector	6"
Near Boiler Piping	1/2"

7. Install boiler so automatic gas ignition system components are protected from water (dripping, spraying, rain, etc.) during appliance operation and service.

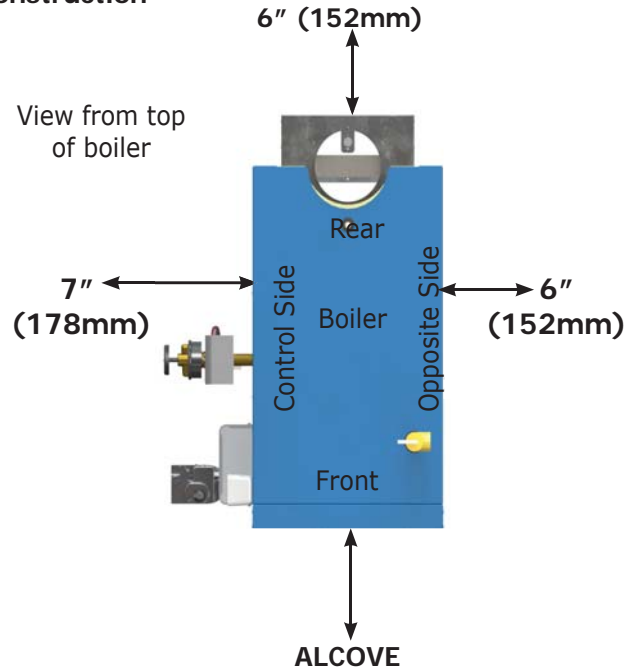
### Draft Hood Installation

### ⚠ WARNING

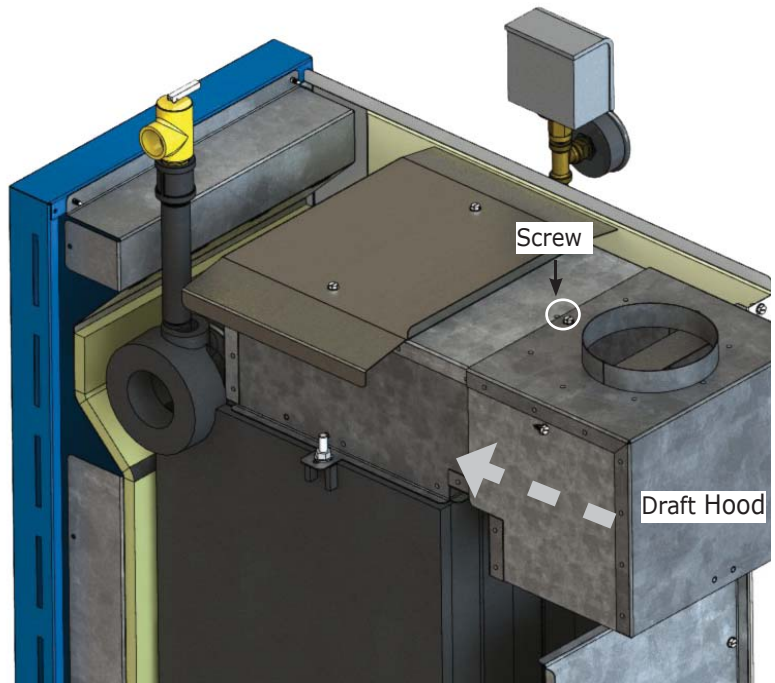
Asphyxiation, carbon monoxide hazard. Failure to follow these instructions could result in improper combustion and possible leakage of combustion products into the living space.

Follow directions given in Figure 3. Attach draft diverter, and blocked vent switch. Mount vent damper. See "Connecting Vent Damper and Vent Connector" page 13. See Wiring Diagrams pages 26 and 27.

**Figure 2 - Minimum Clearances To Combustible Construction**



**Figure 3 - Draft Hood Installation**



Top and side panels not shown for clarity.

1. Slide draft hood over flue collector.
2. Through holes in jacket top, secure with 1 or 2 screws, based on boiler size.

**⚠ DANGER**

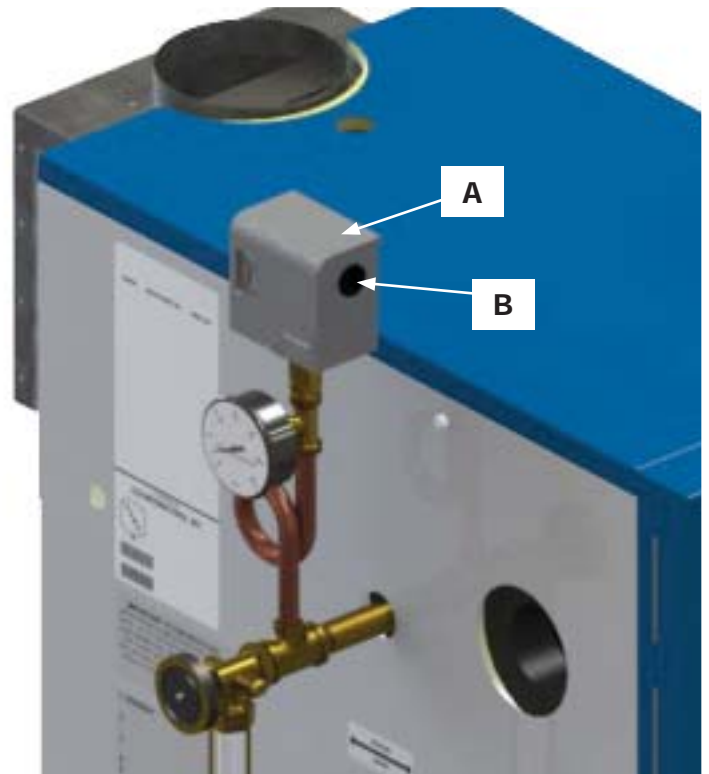
Burn, scald hazard. Pressuretrol must be installed by a qualified service agency in accordance with manufacturer's instructions, all applicable codes and requirements of authority having jurisdiction. Failure to follow the information in these instructions exactly will result in death or serious injury. Qualified service agency is responsible for proper installation.

**Pressuretrol Assembly**

Installation Instructions: See Figure 4.

1. Attach pressuretrol assembly (A) to site glass assembly, using proper pipe sealant.
2. Remove pressuretrol cover.
3. Route wire harness through black plastic bushing (B).
4. Attach two wires. Wires are not polarity sensitive, can place on either terminal.
5. Replace pressuretrol cover.

Figure 4 - Pressuretrol Assembly



**⚠ WARNING**

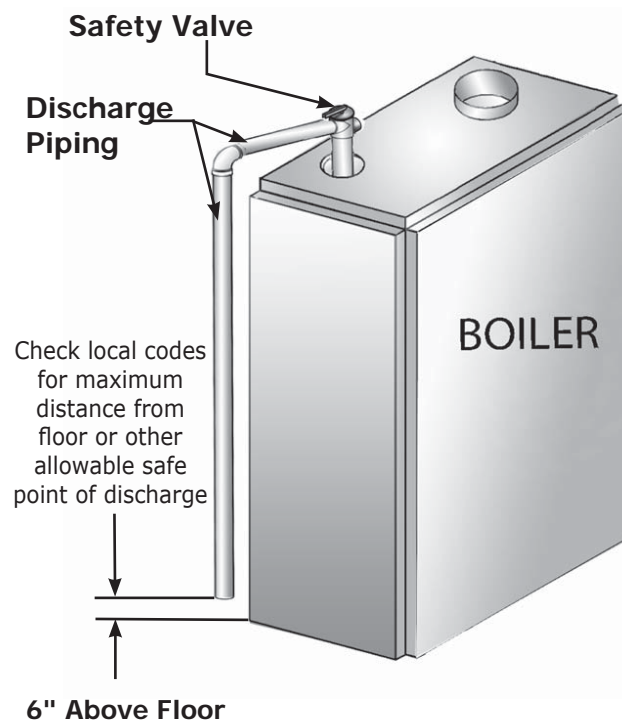
Burn or Scald Hazard. Discharge line shall be installed to relief valve outlet connection to avoid burns, scalding, or water damage due to discharge of steam and/or hot water during operation.

Discharge line shall:

- Connect to safety valve outlet. Piped down to safe point of disposal. Check local codes for maximum distance from floor or allowable safe point of discharge.
- Pipe size be of equal to or greater than of safety valve outlet over entire length of discharge line.
- Have no intervening shutoff valve between safety valve and discharge to atmosphere. Do not plug or place any obstruction in discharge line.
- Terminate freely to atmosphere where any discharge will be clearly visible and at no risk of freezing.
- Allow complete drainage of valve and discharge line.
- Install safety valve with spindle in vertical position.
- Do not install shutoff valve between boiler and safety valve.
- Support safety valve discharge piping.
- Be short and straight as possible.
- Terminate with plain end, not threaded.
- Constructed of material suitable for exposure to temperatures of 375° F (191°C); or greater.

Refer to local codes and appropriate ASME Boiler and Pressure Vessel Code for additional installation requirements.

Figure 5 - Safety Valve





## HYDRONIC PIPING

Consider near boiler piping as part of the boiler for proper water level control and to produce dry steam.

Correct near boiler piping is crucial to proper operation of boiler and heating system.

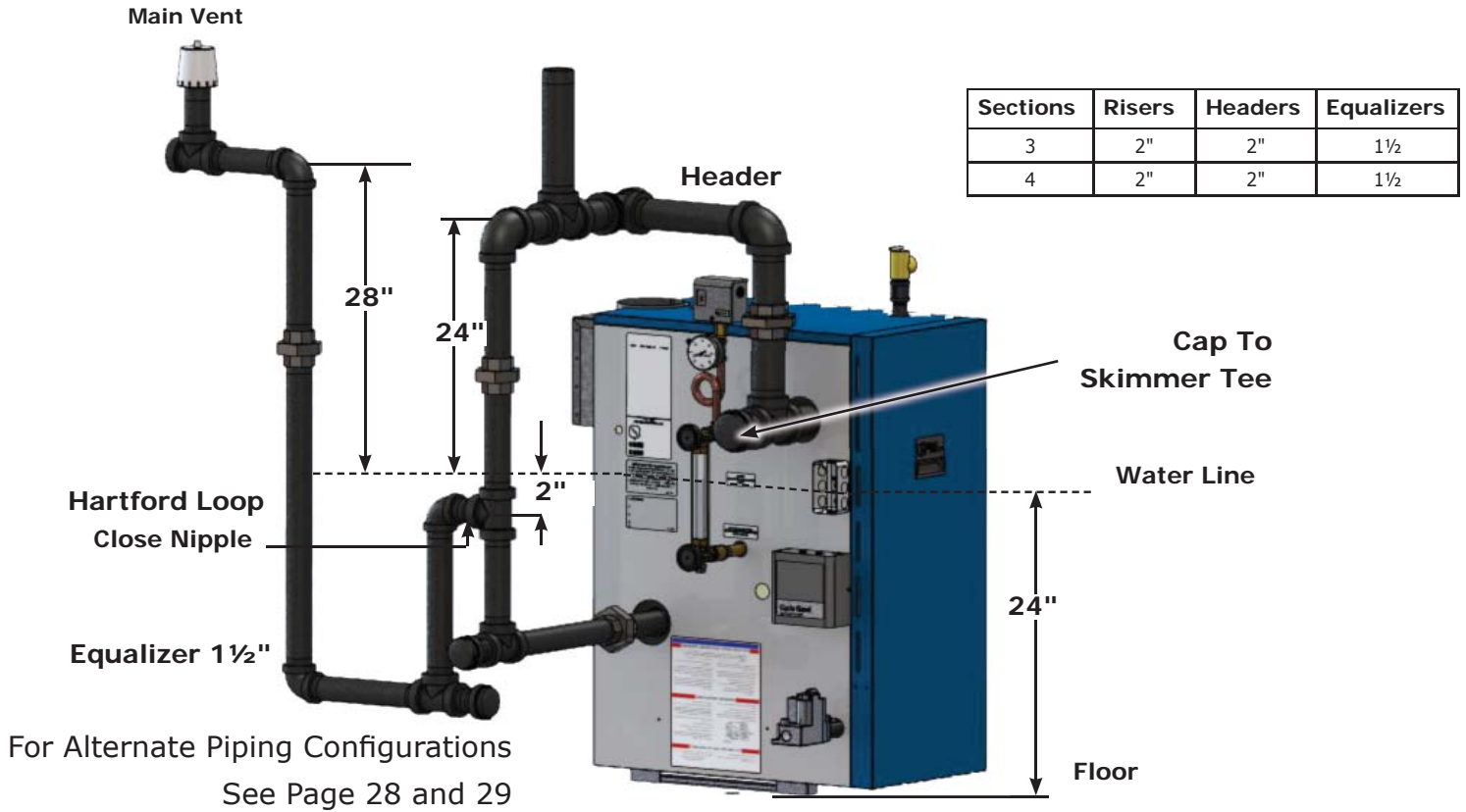
Follow these recommendations carefully.

1. Place boiler in selected location as near chimney as possible.
2. Install safety valve. Figure 5 and Warning on Page 8.
  - Install union, if used, close to safety valve outlet.
  - Install elbows close to safety valve outlet and downstream of union (if used).
3. Boiler is equipped with two 2" supply connections and two 2" return connections, one each on both left and right sides of boiler. Plug unused connections with furnished 2" plug and 2 x 3/4 " bushing for drain valve.
4. When using both supply tapplings to pipe system as shown in Figure 6b , Page 10.
  - Fit headers with header offsets, swing joints, or equip with expansion joints, so thermal expansion and contraction of header does not damage boiler. Do not weld headers.
  - Place system takeoffs from header between equalizer and riser to header nearest equalizer. System takeoffs must never be between two risers. If steam main goes in two directions, place two takeoffs from header, one for each main.
5. Recommended near boiler piping for gravity return systems is shown in Figure 8 page 11. For gravity return systems, bottom of lowest steam carrying pipe, dry return or end of steam main, must be at least 28" above normal water level line on left side of boiler.
6. Equip all boilers in gravity return systems with Hartford Loop as shown in Figure 6a and 6b page 10.
7. Piping vertical risers from boiler to header, risers must be minimum of 24" high above water line.
8. Steam riser(s) and header shall be 2" pipe.
9. Equalizer line shall be minimum 1-1/2" pipe size.
10. Near boiler piping shall include 2" tee with female adapter and cap located on supply line as shown for skimming (i.e. surface blow-down).
11. For pumped return systems, follow condensate pump or boiler feed pump manufacturer's instructions for proper installation and hookup. See Table 4 and Figure 7 page 11.
12. Connecting cold water supply to water inlet valve, verify clean water supply is available. When water supply is from well or pump, install sand strainer at pump.

Sections	Flow Rates LBS/HR
3	63.4 LBS/HR
4	94.7 LBS/HR
5	126.8 LBS/HR
6	158.1 LBS/HR
7	190.2 LBS/HR
8	221.5 LBS/HR
9	252.8 LBS/HR

## HYDRONIC PIPING

**Figure 6a - Recommended Near Boiler Piping Using One Supply Tapping**



**Figure 6b - Recommended Near Boiler Piping Using Two Supply Tappings**

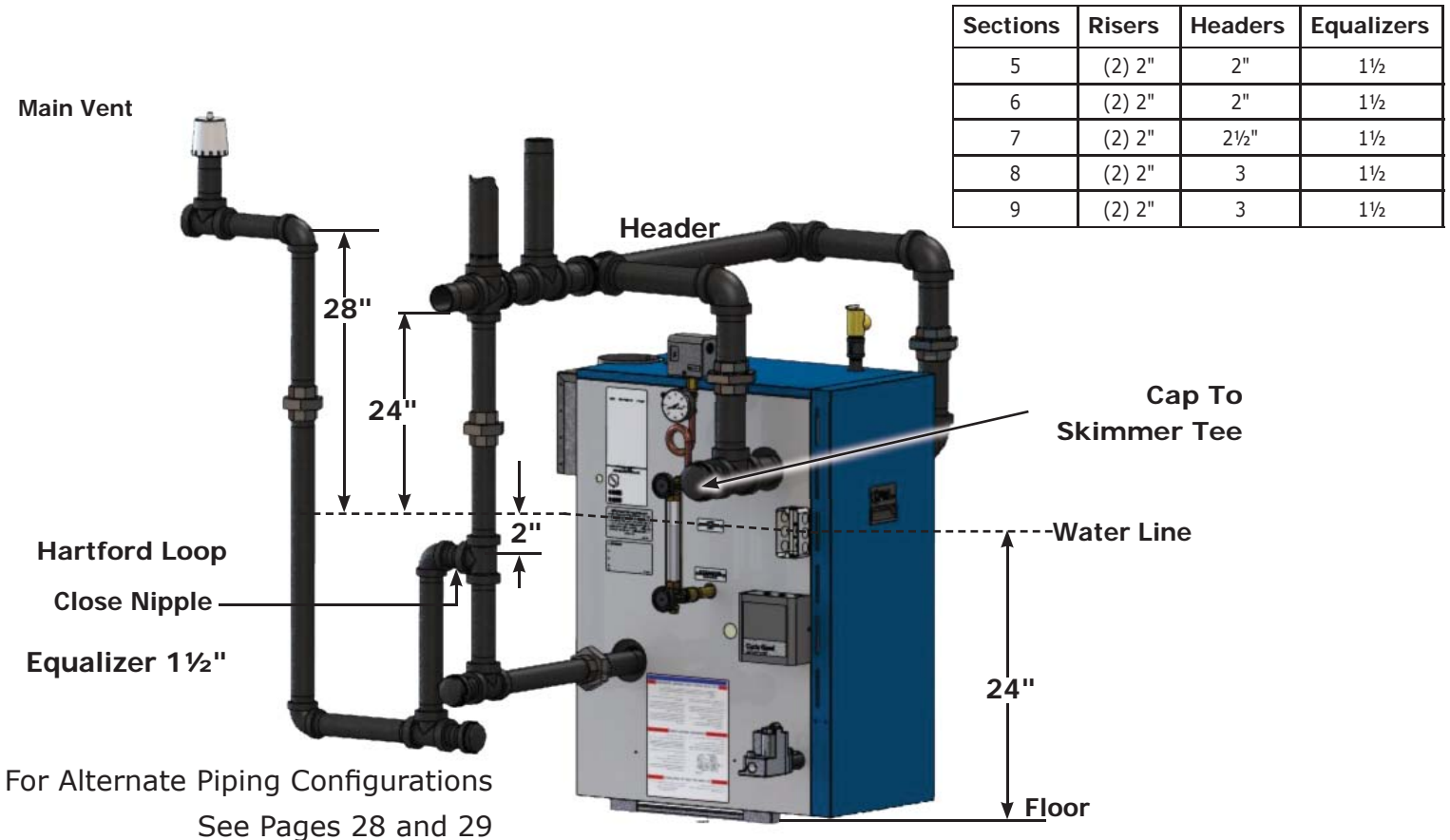


Figure 7 - Recommended Near Boiler Piping For Pumped Return Systems

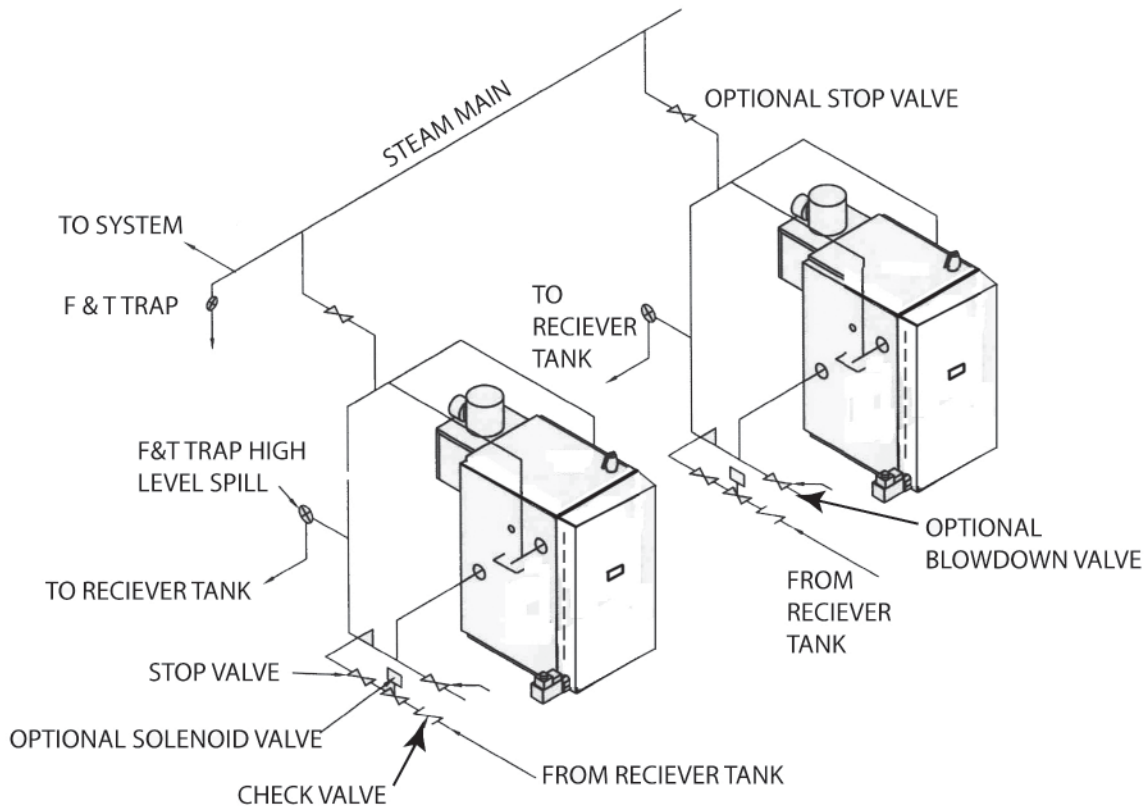
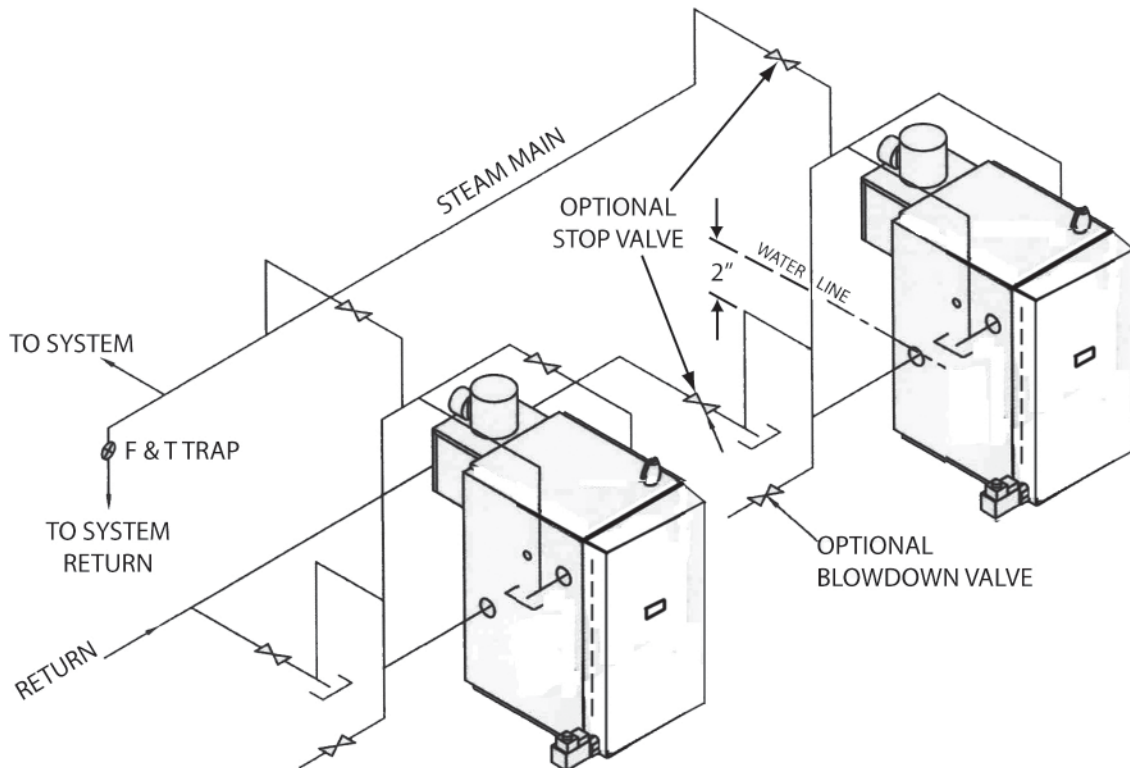


Figure 8 - Recommended Near Boiler Piping For Gravity Return Systems



## FRESH AIR FOR COMBUSTION

### **WARNING**

Air openings to combustion area must not be obstructed. Follow instructions below, to maintain adequate combustion air

Provide combustion air and ventilation air in accordance with the section "Air for Combustion and Ventilation," of the National Fuel Gas Code, ANSI Z223.1 / NFPA 54, or applicable provisions of local building codes.

Provide make-up air where exhaust fans, clothes dryers, and kitchen ventilation equipment interfere with proper operation.

National Fuel Gas Code recognizes several methods of obtaining adequate ventilation and combustion air. Requirements of the authority having jurisdiction may override these methods.

- Engineered Installations. Must be approved by authority having jurisdiction.
- Mechanical Air Supply. Provide minimum of 0.35 cfm per Mbh for all appliances located within space. Additional requirements where exhaust fans installed. Interlock each appliance to mechanical air supply system to prevent main burner operation when mechanical air supply system not operating.
- All Indoor Air. Calculate minimum volume for all appliances in space. Use a different method if minimum volume not available.
  - A. Standard Method. See Table 5 for space with natural gas boiler only. Use equation for multiple appliances and/or propane.  
Room Volume is greater than 50 cubic feet multiplied by Total Input [Mbh]
  - B. Known Air Infiltration Rate. See Table 5 for space with boiler only. Use equation for multiple appliances. Do not use an air infiltration rate air changes per hour (ACH) greater than 0.60.  
Room volume is greater than 21 cubic feet divided by ACH (air changes per hour) x Total Input [Mbh]
- All Outdoor Air. Provide permanent opening(s) communicating directly or by ducts with outdoors.
  - A. Two Permanent Opening Method. Provide opening commencing within 12 inches of top and second opening commencing within 12 inches of bottom of enclosure.
    - Direct communication with outdoors or communicating through vertical ducts. Provide minimum free area of 1 in<sup>2</sup> per 4 Mbh of total input rating of all appliances in enclosure.
    - Communicating through horizontal ducts. Provide minimum free area of 1 in<sup>2</sup> per 2 Mbh of total input rating of all appliances in enclosure.
  - B. One Permanent Opening Method. Provide opening commencing within 12 inches of top of enclosure. Provide minimum clearance of 1 inch on sides/back and 6 inches on front of boiler (does not supersede clearance to combustible materials).
  - C. Refer to National Fuel Gas Code for additional requirements for louvers, grilles, screens and air ducts.
- Combination Indoor and Outdoor Air. Refer to National Fuel Gas Code for application information.
- Refer to National Fuel Gas Code for opening requirements between connected indoor spaces.

**Table 5 - Minimum Room Volume, Indoor Air Only\***

Input Mbh	Standard Method	Known Air Infiltration Rate Method (Air Changes Per Hour)					
		0.1	0.2	0.3	0.4	0.5	0.6
75	3750	15750	7875	5250	3938	3150	2625
112.5	5625	23625	11813	7875	5906	4725	3938
150	7500	31500	15750	10500	7875	6300	5250
187	9350	39270	19635	13090	9818	7854	6545
225	11250	47250	23625	15750	11813	9450	7875
262.5	13125	55125	27563	18375	13781	11025	9188
299	14950	62790	31395	20930	15698	12558	10465

\* Table values based on boiler only. Add volume for any additional appliances.

### ⚠ WARNING

Installing or venting a boiler or any other gas appliance with improper methods or materials could result in death or serious injury due to fire or to asphyxiation from poisonous gases such as carbon monoxide which is odorless and invisible.

**Boiler and venting installations shall be performed in accordance with "Venting of Equipment", of the National Fuel Gas Code, ANSI Z223.1/NFPA 54, or applicable provisions of the local building codes.**

### Chimney Inspection

Chimney must be clean, right size, properly constructed and in good condition.

Installation must conform to requirements of the authority having jurisdiction or, in absence of such requirements, to the National Fuel Gas Code, ANSI Z223.1/NFPA 54. See Figure 9, page 14.

### Connecting Vent Damper and Vent Connector

Vent or vent connector shall be Type B or metal pipe having resistance to heat and corrosion not less than that of galvanized sheet steel not less than No. 26 gauge. See Table 1 for size of vent (flue opening).

1. Position furnished vent damper on top of flue outlet collar. Fasten damper securely to flue outlet collar with sheet metal screws.
  - Verify 1/2 square inch (approximately 3/4" diameter) hole in damper blade is plugged using plug supplied with vent damper.
  - Verify damper blade has clearance to operate inside of diverter.
  - Do not modify draft diverter or vent damper.
2. Install vent damper to service only single boiler for which it is intended.
  - Damper position indicator shall be in visible location following installation.
  - Locate damper so it is accessible for servicing.

**Optional** - damper may be installed in horizontal or vertical position as close to flue outlet as possible.

  - Horizontal installations. See Figure 10, page 15.
  - Alternate installations see steps below. See Figure 11 page 15.
    - A. Do not install vent damper on vent pipe curve.
    - B. Do not run wires near high temperature surfaces. Use stand-off brackets **if necessary**.
3. Damper must be in open position when appliance main burners are operating.

4. Boiler is equipped with factory wired harness that plugs into vent damper. Connect thermostat to orange and white wires marked 24 volt thermostat on boiler.
5. Vent pipe must be same size as flue outlet collar.
6. Slope pipe up from boiler to chimney not less than 1/4" per foot.
7. Run pipe as directly as possible with as few elbows as possible.
8. Do not connect to fireplace flue.
9. End of vent pipe must be flush with inside face of chimney flue.
10. Horizontal run should not be longer than 3/4 the chimney height (HT). See Figure 9 page 14.

### Vent Pipe

- Fasten sections of vent pipe with 3 sheet metal screws at each joint to make piping rigid.
- Support horizontal portions of vent system to prevent sagging.
- Use stovepipe wires or metal strapping every 5' to support pipe from above.
- Vent pipe through crawl space, use double wall vent pipe.
- Vent pipe passing through combustible wall or partition, use ventilated metal thimble. Thimble should be 4" larger in diameter than vent pipe.

### NOTICE

Minimum Vent Pipe Clearance - Wood and other combustible materials must not be closer than 6" from any surface of single wall metal vent pipe. Listed Type B vent pipe or other listed venting systems shall be installed in accordance with their listing.

### Removing Existing Boiler from Common Venting System

When an existing boiler is removed from a common venting system, the common venting system is likely to be too large for proper venting of the appliances remaining connected to it.

At the time of removal of an existing boiler, the following steps shall be followed with each appliance remaining connected to the common venting system placed in operation, while the other appliances remaining connected to the common venting system are not in operation.

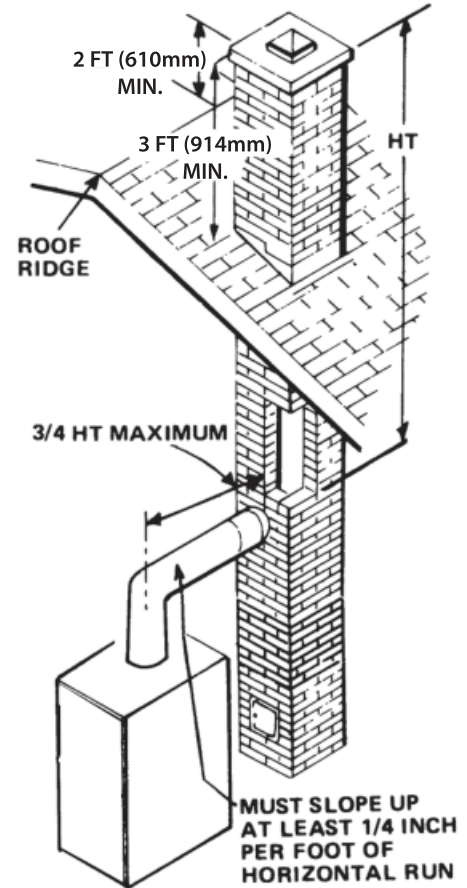
1. Seal any unused openings in the common venting system.
2. Visually inspect the venting system for proper size and horizontal pitch and determine there is no blockage or restriction, leakage, corrosion and other deficiencies which could cause an unsafe condition.

## CHIMNEY AND VENT PIPE CONNECTION

3. Insofar as is practical, close all building doors and windows and all doors between the space in which the appliances remaining connected to the common venting system are located and other spaces of the building. Turn on clothes dryers and any appliance not connected to the common venting system. Turn on any exhaust fans, such as range hoods and bathroom exhausts, so they will operate at maximum speed. Do not operate a summer exhaust fan. Close fireplace dampers.
4. Place in operation the appliance being inspected. Follow the lighting instructions. Adjust thermostat so appliance will operate continuously.
5. Test for spillage at the draft hood relief opening after 5 minutes of main burner operation. Use the flame of a match or candle, or smoke from a cigarette, cigar or pipe.
6. After it has been determined that each appliance remaining connected to the common venting system properly vents when tested as outlined above, return doors, windows, exhaust fans, fireplace dampers and any other gas-burning appliance to their previous conditions of use.
7. Any improper operation of the common venting system should be corrected so the installation conforms with the National Fuel Gas Code, ANSI Z223.1/NFPA 54. When resizing any portion of the common venting system, the common venting system should be resized to approach the minimum size as determined using the appropriate tables in Chapter 13 of the National Fuel Gas Code, ANSI Z223.1/NFPA 54.

**Vent connectors serving appliances vented by natural draft shall not be connected into any portion of mechanical draft systems operating under positive pressure.**

Figure 9 - Typical Masonry Chimney Requirements



## VENT DAMPER OPERATION

Check vent damper and all flue product carrying areas of boiler annually for deterioration from corrosion or other sources. If you see corrosion or other deterioration, contact your service agent for repairs.

Check vent damper operation as follows:

1. When boiler is off, check vent damper positions indicator points to closed position. See Figure 12.
2. Turn thermostat or controller up to call for heat and check vent damper indicator points to open position. See Figure 12.
3. Turn thermostat or controller down again and check damper position indicator returns to closed position.
4. Return thermostat to desired position.

**Inspect vent damper at least once a year by trained service technician.**

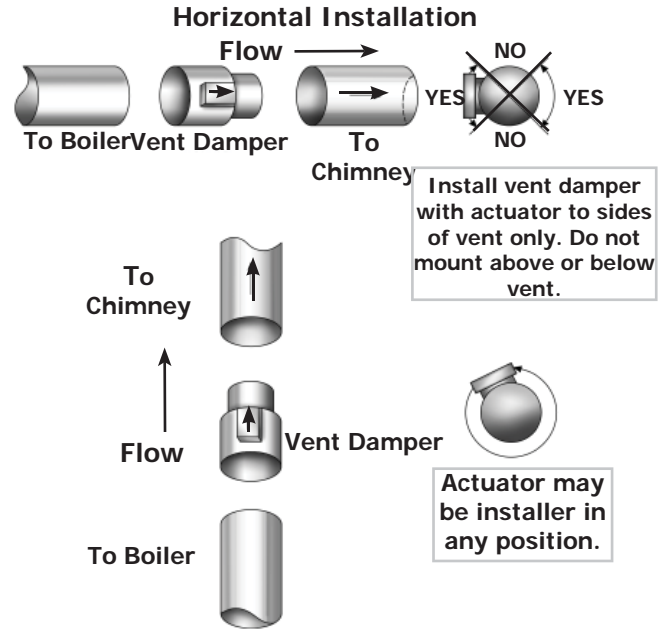
### ⚠ WARNING

Asphyxiation or burn hazard. Improper operation of vent damper may result in serious injury or death due to fire or to asphyxiation from poisonous gases such as carbon monoxide which is odorless and invisible.

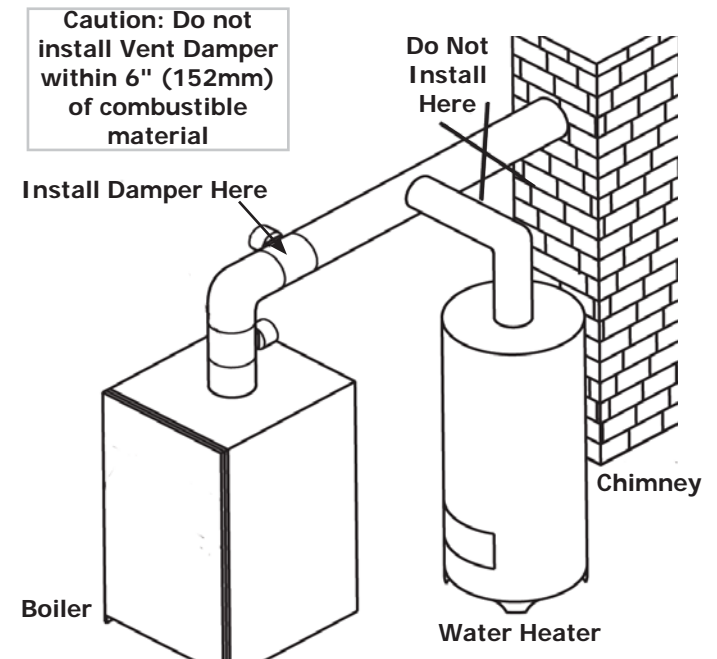
### Manual Operation of Vent Damper

- Place vent damper in open position to permit burner operation by using "HOLD DAMPER OPEN" switch, located on damper controller.
- Thermostat controls burner firing as before, while damper remains open.
- **DO NOT** turn damper open manually, motor damage will result.
- Set switch to "AUTOMATIC OPERATION" to close vent damper during burner off cycle.
- For further information, and for vent damper troubleshooting guide, refer to manual packaged with vent damper.

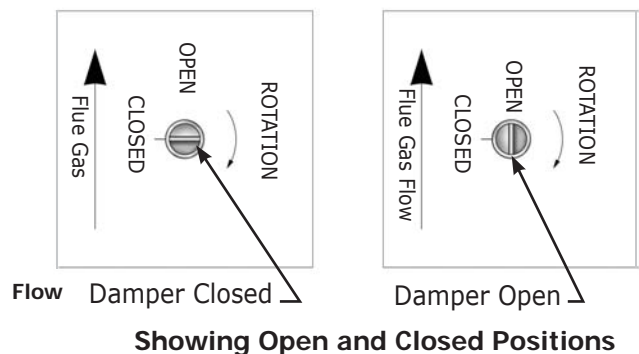
**Figure 10 - Horizontal Installation**



**Figure 11 - Alternate Vent Damper Installation**



**Figure 12 - Vent Damper Position Indicator**



**CAUTION**

WHAT TO DO IF YOU SMELL GAS

- Do not try to light any appliance.
- Do not touch any electrical switch; do not use any phone in your building.
- Immediately call your gas supplier from a neighbor's phone. Follow gas supplier's instructions.
- If you cannot reach your gas supplier, call the fire department.

**General**

- Use piping materials and joining methods acceptable to authority having jurisdiction. In absence of such requirements National Fuel Gas Code, ANSI Z223.1/ NFPA 54.
- Size and install gas piping system to provide sufficient gas supply to meet maximum input at not less than minimum supply pressure. See Table 6.

Table 6	Natural Gas	Propane
Min. Supply Pressure	5" w/c	11" w/c
Max. Supply Pressure	13.5" w/c	13.5" w/c
Manifold Pressure	3.5" w/c	10.5" w/c

- Support piping with hooks straps, bands, brackets, hangers, or building structure components to prevent or dampen excessive vibrations and prevent strain on gas connection. Gas valve will not support piping weight.
- Use thread (joint) compound (pipe dope) suitable for natural and liquefied petroleum gas.
- Install field sourced manual main shutoff valve, ground joint union, and sediment trap upstream of gas valve. See Figure 13.

**Propane Installation**

**WARNING**

Fire, explosion, asphyxiation hazard. Verify boiler is equipped with propane gas orifices and gas valve is configured for propane. Failure to follow these instructions may result in serious injury or death.

- Connections by licensed propane dealer only.
- Use two stage regulator provided by propane supplier.
- Have propane supplier check piping.

**DANGER**

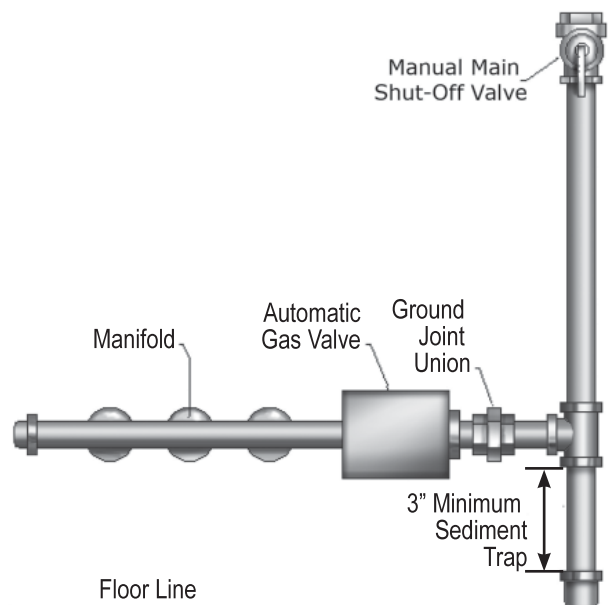
Fire Hazard. Do not use matches, candles, open flames, or other methods providing ignition source. Failure to comply will result in death or serious injury.

**Leak Check Gas Piping**

Pressure test boiler and gas connection before placing boiler in operation. Avoid excessive pressure that could damage pressure regulators, valves, or meters.

- Pressure test at 1/2 psig (3.5 kPa) or less. Isolate boiler from gas supply system by closing manual gas shutoff valve.
- Locate leakage using gas detector, noncorrosive detection fluid, or other leak detection method acceptable to authority having jurisdiction. Do not use matches, candles, open flames, or other methods providing ignition source.
- Correct leaks immediately and retest.

Figure 13 - Gas Piping At Boiler





### **WARNING**

Electrical shock hazard. Turn OFF electrical power supply at service panel before making electrical connections. Failure to do so could result in death or serious injury.

### **NOTICE**

Label all wires prior to disconnection when servicing controls. Wiring errors can cause improper and dangerous operation. Verify proper operation after servicing.

### **Electric Power Supply**

Electrically bond boiler to ground in accordance with requirements of authority having jurisdiction. Refer to National Electrical Code, ANSI/NFPA 70.

### **Line Voltage Connections**

- A. Provide individual 120V, 15 amp circuit (recommended) with fused disconnect or service switch as required by authority having jurisdiction.
- B. Locate a shut-off switch at the boiler.
- C. Connect 120V electrical supply to primary leads on 24 volt transformer. Securely fasten with wire nuts.

### **Thermostat Installation**

1. Install thermostat on inside wall per manufacturer's instructions.
2. NEVER install thermostat on outside wall.
3. Do not install thermostat where it will be affected by drafts, hot or cold pipes, sunlight, lighting fixtures, televisions, fireplace, or chimney.
4. Check thermostat operation by raising and lowering thermostat setting as required to start and stop burners.
5. Instructions for final adjustment of thermostat see manufacturer's instructions.

### **Electronic Thermostats**

- A. Some electronic thermostats may lose their memory or shut down. With probe type low water cutoff, this may occur each time low water cutoff detects low water condition. If this is the case, an isolation relay is required for thermostat circuit. See Figure 17 page 25.
- B. Some electronic thermostats are not acceptable for use with steam systems, check manufacturer suggested use.

## OPERATING INSTRUCTIONS

### For Your Safety Read Before Operating

#### **⚠ WARNING**

**If you do not follow these instructions exactly, a fire or explosion may result causing property damage, personal injury or loss of life.**

- This appliance is equipped with an ignition device which automatically lights burner. **Do NOT try to light this burner by hand.**
- Before operating smell all around appliance area for gas. Be sure to smell next to floor because some gas is heavier than air and will settle to the floor.
- **Use only your hand to turn the gas shutoff valve.** Never use tools. If valve will not turn by hand, do not try to repair it, call a qualified service technician. Force or attempted repair may result in fire or explosion.
- **Do not use this appliance if any part has been under water.** Immediately call a qualified service technician to inspect appliance and to replace any part of control system and any gas control which has been under water.

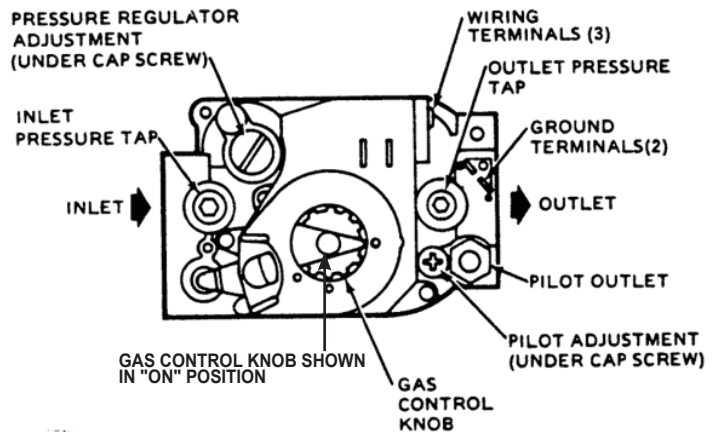
#### **⚠ CAUTION**



##### WHAT TO DO IF YOU SMELL GAS

- Do not try to light any appliance.
- Do not touch any electrical switch; do not use any phone in your building.
- Immediately call your gas supplier from a neighbor's phone. Follow gas supplier's instructions.
- If you cannot reach your gas supplier, call the fire department.


1. STOP! Read the safety information on this page.
2. Set the thermostat to lowest setting.
3. Turn off all electric power to the appliance.
4. This appliance is equipped with an ignition device which automatically lights the pilot. Do **not** try to light the pilot by hand.

Figure 14 - Gas Valve



5. Remove front panel.
6. Rotate the gas control knob clockwise  to "OFF".
7. Wait five (5) minutes to clear out any gas. Then smell for gas, including near the floor. If you smell gas, STOP! Follow "B" in the safety information on this page. If you don't smell gas, go to next step.
8. Rotate the gas control knob counterclockwise  to "ON."
9. Replace front panel.
10. Turn on all electric power to the appliance.
11. Set thermostat to desired setting.
12. If the appliance will not operate, follow the instructions "To Turn Off Gas To Appliance" and call your service technician or gas supplier.

#### To Turn Off Gas To Appliance

1. Set the thermostat to lowest setting.
2. Turn off all electric power to the appliance if service is to be performed.
3. Push in gas control knob slightly and turn clockwise to  "OFF" Do not force.

### **WARNING**

Burn Hazard. Never run water into a hot empty boiler. Failure to follow these instructions could result in death or serious injury.

### **Filling System With Water**

Steam heating systems boiler is partially filled with water. Fill boiler to correct level for proper system operation.

Correct water level is about halfway up glass water level gauge as marked on boiler jacket.

1. Close boiler drain valve.
2. Open valves at top and bottom of glass water level gauge.
3. Open fill valve. Allow water to run into boiler.
4. Continue to fill boiler until water reaches indicated water line about halfway up glass gauge.

### **Water Level**

- Normal water level is 24" above the floor as shown on left side of boiler.
- Determine water level when boiler is off and cold, when all water in the system is inside the boiler and return piping below water line, and everything above water line is air, no steam.
- When boiler is making steam, water level drops two to three inches below normal water line.

### **Thermostat**

- A. Set thermostat to desired room temperature.
- B. Set thermostat to lower setting if heat is not required
- C. System is self-checking. If failure of any component system will not operate or will go into safety lockout.
- D. On call for heat, each component must function properly to permit operation.
- E. Turn thermostat to lowest setting for one minute and back to normal setting to reset on safety lockout.

### Adjust Pilot Burner

Pilot flame should surround 3/8" to 1/2" of pilot sensor. See Figure 15.

To adjust Flame.

1. Remove screw cover over pilot adjusting screw. See Figure 14.
2. Insert small screwdriver and adjust flame as needed. Turn screw counterclockwise to increase flame, clockwise to decrease.
3. Replace screw cover over pilot adjusting screw.

### Main Burners

- Main burners do not require primary air adjustment and are not equipped with primary air shutters.
- Main burner flames form sharp blue inner cones in softer blue outer mantel, with no yellow. Remain still when observing main burner flames.
- Check main burner orifices, burner throat and flame ports for dust and lint obstruction if flame appearance is not correct.
- Remove rollout shield if necessary to observe main burner flames. See Figure 16.
- Replace rollout shield after observation.

### Gas Valve Safety Shutdown Test

1. Test ignition system safety shutoff device after placing boiler in operation.
2. Boilers equipped with intermittent ignition, with main burners firing, disconnect ignition cable from intermittent pilot control box. Gas valve will shut off main burners.
3. TURN OFF ELECTRIC POWER to boiler before reconnecting ignition cable, to prevent electric shock.

Figure 15 - Pilot Burner

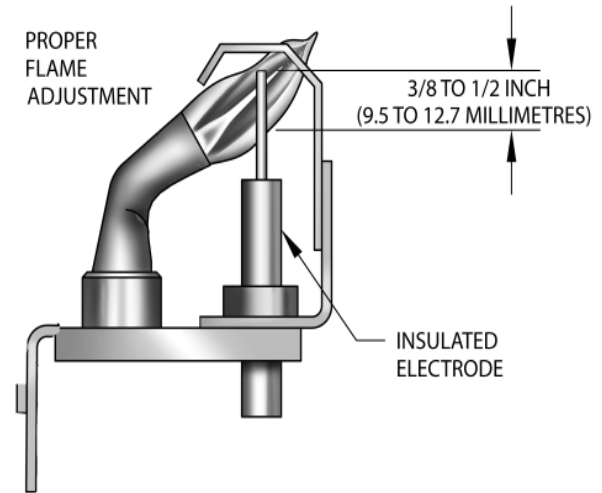
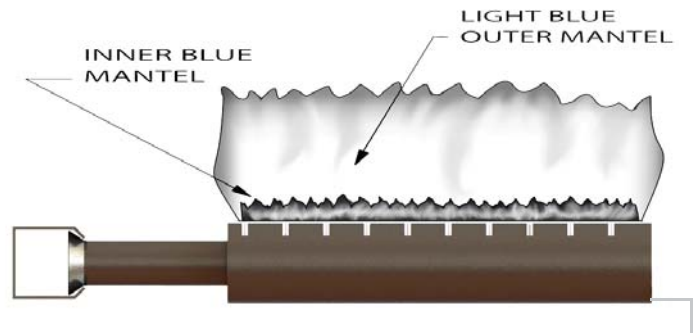


Figure 16 - Main Burner



**Adjust Steam Pressure Control**

- Steam pressure limit control (pressuretrol) shuts off gas to main burners when steam pressure in boiler reaches cut-off setpoint (i.e. sum of cut-in and differential setpoints).
- Burners refire when steam pressure drops to cut-in setpoint.
- System pressure requirements are based on size and condition of pipes, and load.
- Cut-in setting of pressuretrol should never be less than twice system pressure drop for good system operation.
  - A. In typical single family residence with clean one-pipe heating system and cast iron radiation, cut-in is usually set at minimum setting, i.e. 1/2 psi.
- Steam radiation is sized based on square feet of equivalent direct radiation (EDR). This is based on steam pressure in the radiator of just less than 2 psi.
- Set differential adjustment at 1 psi, i.e. steam pressure required in radiators. Results in cut-off setpoint of 1½ psi.
- Larger systems or other types of systems such as two pipe systems, or systems with convectors or fan coil units, pressuretrol settings need to be determined on system-by-system basis.
- Cut-in setpoint is determined by system pressure drop to furthest radiator or terminal unit. Double system pressure drop as safety factor, resulting in the rule cut-in setting should never be less than twice system pressure drop.
- Differential setpoint is steam pressure required at terminal heating units.

Boiler will now operate in correct pressure range. It maintains enough steam pressure to send steam out to furthest radiator, and not go over optimum steam pressure required at the radiators.

**Checking Controls**

***Low Water Cut-Off***

- A. Turn off power to boiler or turn thermostat down to lowest setting.
- B. Drain water to below visible bottom of water gauge glass. Turn power on and turn thermostat to call for heat.
- C. Gas valve opens for approximately 15 seconds (time delay on probe type LWCO), gas valve will close and red indicator illuminates on LWCO.
- D. When water is restored, it waits 30 seconds before reactivating burner circuit.

***Boiler Equipped With Optional VXT-24 Water Feeder***

- E. Continue thermostat call for heat after low water cut off recognizes low water condition.
- F. One minute time delay, water feeder starts feeding water to boiler.
- G. Feeder feeds for one minute, and then goes into another one minute waiting period.
- H. Cycle of alternately waiting and feeding will repeat until the water level in boiler rises and makes contact with probe, satisfying water feeder and igniting burners.
- In either case, one and two inches of water should be visible in glass gauge when both water feeder is satisfied, and burners are allowed to ignite.
- Time delays in feed cycles are designed to prevent boiler from flooding due to slow return lines.
- To check pressure limit, run boiler until pressure reaches system demand. Turn pressure screw and drop pressure setting until boiler shuts down. This shows the pressure limit is operating properly.
- Refer to control manufacturer's instructions for more information.

**Check Thermostat Operation**

Thermostat set above temperature indicated on thermometer, boiler should ignite.

Verify thermostat turns boiler off when room temperature reaches selected setting and starts boiler operating when room temperature falls few degrees.

Set thermostat for desired temperature. Conditions in your home and location of thermostat will govern this setting.

### **WARNING**

Following service procedures must be performed by qualified service agent. Boiler owner shall not attempt these steps. Failure to do so could result in death or serious injury.

It is very important to clean a new steam boiler after it has been installed and put into continuous operation.

This must be done to remove any accumulation of oil, grease, sludge, etc., that may have been present in system. These substances may cause boiler water to foam and surge, producing an unsteady water line, throwing water into steam header, and possibly preventing steam generation.

Follow skimming and blow-down steps in order to remove contaminants.

### Skimming and Blow-down

### **WARNING**

Burn Scald Hazard. Water temperatures in excess of 125°F. Failure to follow these instructions could result in death or serious injury.

New boilers must be skimmed at time of installation to remove threading oil and other impurities that float on surface of water.

1. Remove cap from skimmer female adapter tee and pipe to floor drain or bucket. See Figures 6a and 6b page 10. Raise water level to skimmer tapping.
2. Fire burners to maintain water temperature of 180-200°F.
3. Feed water to boiler to maintain water level. Adjust water feed rate to maintain continuous flow of 1 gallon per minute. Do not allow boiler to steam.
4. Continue skimming until water runs clear. This may take several hours.
5. Drain boiler completely to remove any foreign material.
6. Fill boiler to water line.
  - Fire burners, allow normal steam pressure to build up.
  - Run connection from boiler drain valve to safe discharge point outside.
  - Shut off gas burners, open drain valve, allow all of water in boiler to drain out.
  - Close drain valve.
  - Allow boiler to cool, slowly refill boiler to water line.
  - Repeat this step as many times as necessary until blow-down water is clear.

7. Following final blow-down, allow boiler to cool.
  - Add fresh water slowly up to normal water line.
  - Start burners.
  - Maintain at least 180°F for 15 minutes to remove dissolved gasses from fresh water.
  - Shut off burners.
8. Allow system to operate for one week to give majority of system dirt a chance to work its way back to boiler.
  - Check water in gauge glass. Gauge glass should be dry above water line.
  - Water line should not bounce more than one inch when boiler is steaming.
  - If you see water droplets carrying over from top of gauge glass, or excessive bouncing of water line, boiler needs further cleaning.
  - Take water sample and boil it on stove to see if it foams. If it does, this indicates boiler needs to be cleaned.

### **NOTICE**

Clean water with no additives is essential to proper operation of your boiler and heating system. Boiler cleaners and chemical cleaning, if used and not rinsed properly, may be harmful to the system.

If cleaning is necessary, repeat skimming and blow-down procedure above. A long skim will be all you need to clean the boiler.

In more troublesome cases it may be desirable to flush the system while, in very extreme cases, it may be necessary to chemically clean and flush heating system.

Consult boiler manufacturer before introducing any chemicals into boiler.

Check water level frequently. Be sure top and bottom valves on gauge are always open so actual water level is shown at all times.

### Low Water Cut-Off

Low Water Cut-Off interrupts electrical current to burner when water line in boiler drops to low level.

Check Low Water Cut-Off monthly to verify it is providing proper protection. See "Checking and Adjusting" on page 21.

Remove Low Water Cut-Off probes beginning of each heating season for inspection and cleaning. More cleaning may be required on boilers requiring frequent additions of make up water.

### Boiler Flue Passages and Burners

Beginning of heating season visually check pilot and main burner flames. See page 20.

Recommend you have flue passages, burner adjustment, and operation of controls checked once each year by trained Service Technician.

Before start of each season or whenever system has been shut down for some time, check system, boiler and vent pipe for leaks.

### Vent Pipe

Check vent piping at least once a season. Verify vent pipe connections to chimney are secure and no obstructions are present. If vent piping shows sign of leaking, replace it immediately.

### Safety Valve

See Manufacturer's Instructions.

### Cleaning Boiler Flue Passages and Burners

1. Remove burners, pilot, vent pipe, top and front jacket panels. Remove hold-down nuts and bolts from flue collector.
2. Use putty knife to cut through silicone. Lift flue collector off boiler sections. Remove old silicone material.
3. Clean passageways between sections with flue brush. Remove dirt from bottom of boiler and from between sections by vacuuming.
4. Verify all flame ports in burners are open and clear. Shake or blow out loose dirt in burners.
5. Apply generous bead of 400°F RTV silicone to four mounting surface flanges of flue collector. Mount flue collector on heat exchanger. Tighten nuts and bolts.
6. Seal front edge and four corners of flue collector to heat exchanger with silicone sealant.
7. Use flashlight to verify there are no gaps in silicone seal.
8. Install draft diverter, vent damper, vent pipe, and jacket top and front cover.
9. Reassemble all parts.
10. Check tightness of pilot connections and condition of burner flames after reassembly. See Figures 15 and 16.

### Boiler Water Treatment Other Than Cleaners

In steam systems where system is tight, free from leaks, and all steam is returned to boiler as condensate, amount of make up water is small. Water treatment is generally not required.

In steam systems with less than 90% of steam being returned as condensate, or with very hard or corrosive make up water, treatment may be desirable. Follow recommendations of your local boiler water treatment specialist.

### Foaming, Priming, or Surging

These terms are used to describe fluctuating water line - when water leaves boiler with steam. It is caused by any combination of following:

1. Threading oil and organic matter in boiler water. Follow instructions under "Start-up Cleaning."
2. Faulty quick vents that do not release air until sizeable pressure is built up - if old style, replace - if dirty, clean until you can easily blow through valve.
3. Adjustment of steam limit control to wide differential increases difficulty if quick vents are old style, slow-releasing type or dirty. Always set steam limit control differential as low as possible.
4. Soap and chemicals in boiler water cause extreme surging. Boiler cleaners and chemical cleaning additives are not recommended. If used and not rinsed properly, may be harmful to the system.

## TROUBLESHOOTING

You may avoid inconvenience and service calls by checking these points before you call for service.

### CAUTION

#### WHAT TO DO IF YOU SMELL GAS

- Do not try to light any appliance.
- Do not touch any electrical switch; do not use any phone in your building.
- Immediately call your gas supplier from a neighbor's phone. Follow gas supplier's instructions.
- If you cannot reach your gas supplier, call the fire department.

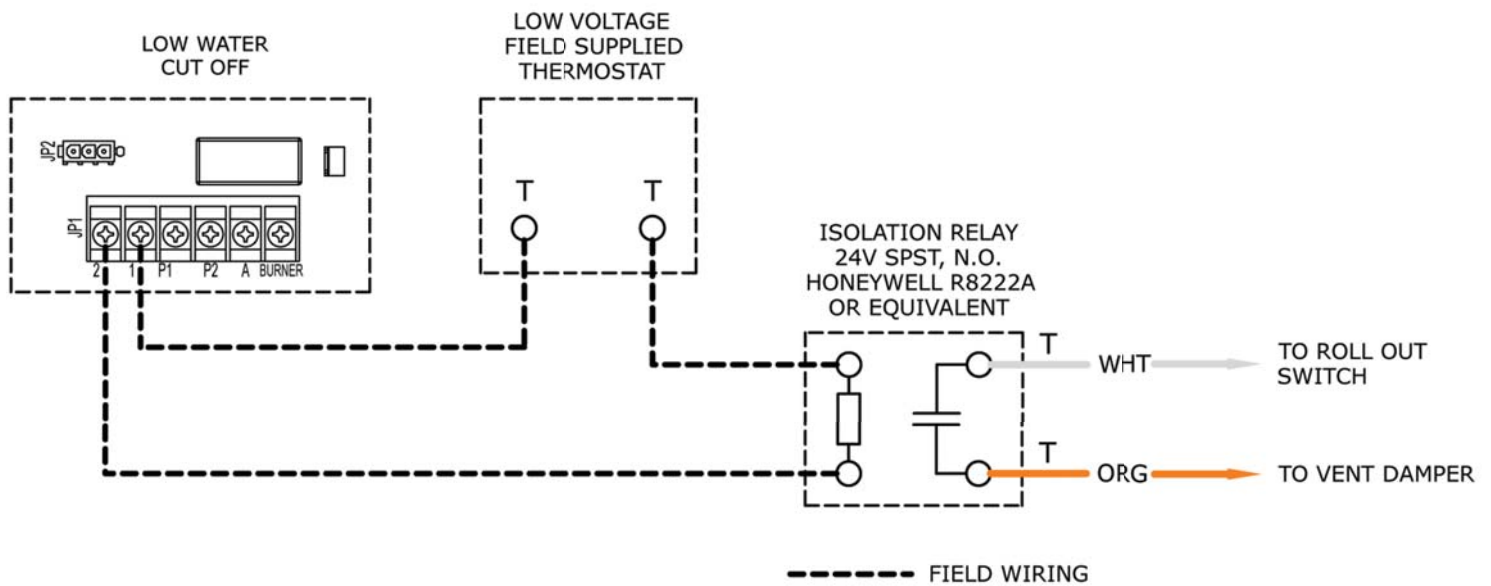
Symptom	Possible Cause	What To Do
<b>System Not Heating or Not Giving Enough Heat</b>	Thermostat is not set correctly	Reset thermostat above room temperature.
	Thermostat not operating	Inspect and replace thermostat batteries, if necessary. Contact service technician.
	Burner is not operating properly	Inspect flame. If yellow, burner is not getting enough air. If blue and noisy and seems to lift off burner, burner is getting too much air. Contact service technician.
	No electric power to boiler	Verify electric power supply circuit is "ON". Contact your service technician to verify over current protection.
	Controls out of adjustment	Reset according to instructions.
	Radiators not heating	Inspect steam air vents for proper operation. Contact service technician to inspect for faulty steam traps.
	Poor electrical contact	Contact your service technician to inspect all control terminals and wire joints.
	Chimney flue is blocked	Spill switch contacts open, requiring manual reset of spill switch. Contact service technician to inspect and correct chimney problem.
	Vent damper not operating	Consult troubleshooting guide packaged with vent damper.
<b>Burner is Noisy</b>	Gas input is incorrect	Contact service technician.
<b>Walls or Windows Sweating</b>	Not enough ventilation	Contact service technician.
	Chimney flue is blocked	Contact service technician to inspect and correct, if necessary.
<b>Safety valve Leaking</b>	Dirt on seat	Contact service technician.

**HAVE SERVICE TECHNICIAN CHECK ANY PROBLEM YOU ARE UNABLE TO CORRECT.**

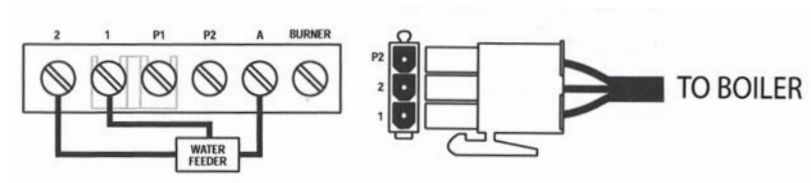


## WIRE DIAGRAMS

**Figure 17 - Isolation Relay Wiring For Steam Boilers With Probe Type Low Water Cut Off And Using An Electronic Thermostat - Optional**



**Figure 18 - Water Feeder Connection - Optional**



Optional water feeder connection.

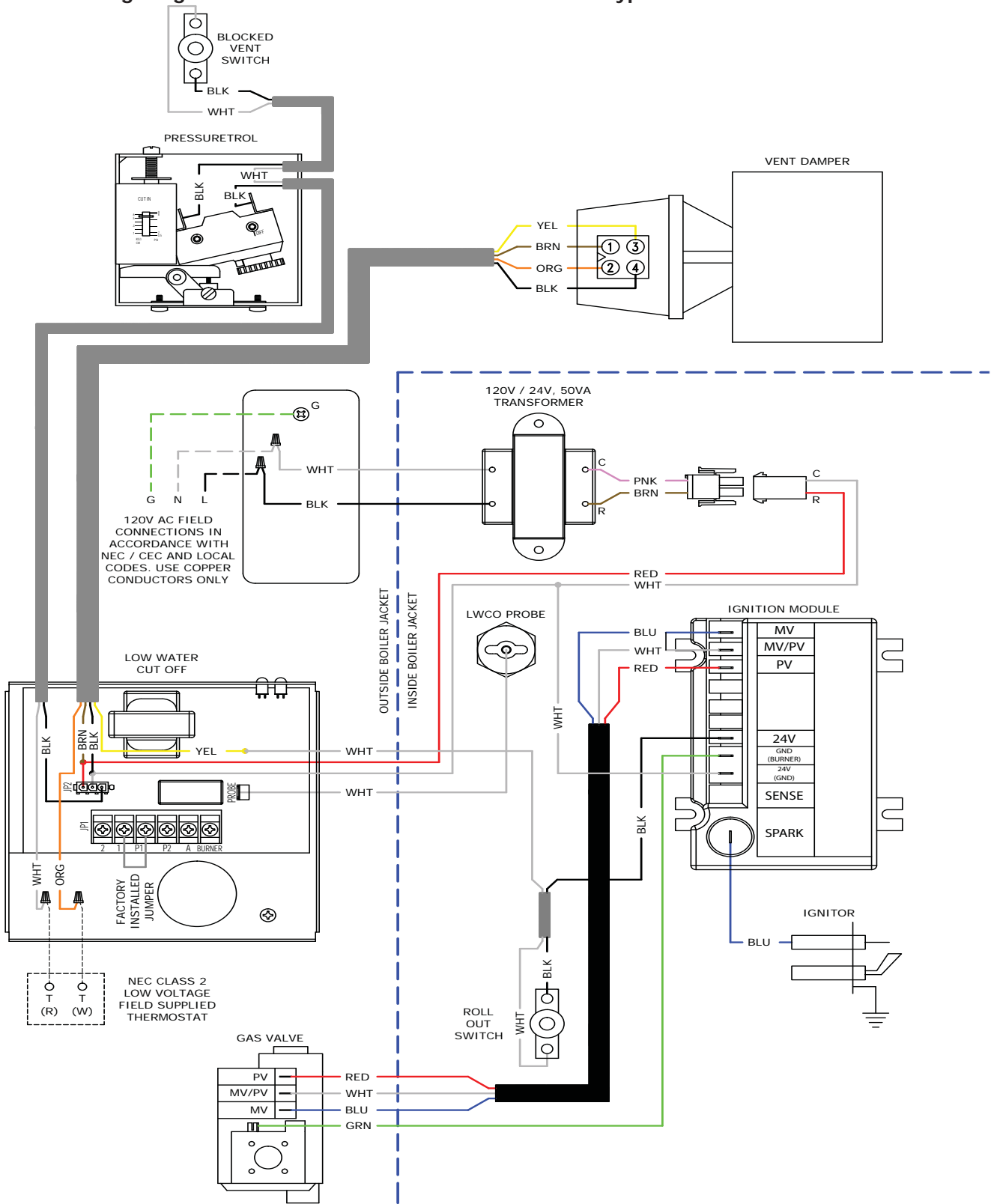
- Connect feeder N to terminal 2.
- Connect feeder H to terminal 1.
- Connect "FEED" or "W" to terminal A.
- For water feeders with 2 leads, connect feeder common to terminal 2 and feeder hot to terminal A.

**Note:** Use of a solenoid valve or McDonnell & Miller Model 101A water feeder may cause flooding and is not recommended for use with this low water cut-off.

# WIRE DIAGRAMS

(For full-sized Wire Diagrams, see Literature Envelope.)

**Figure 19 - Wiring Diagram For Boilers With CG 400-2060 Probe Type Low Water Cut-Off**



P/N: 240009879  
Revision: A

If any of the original wire as supplied with this appliance must be replaced, it must be replaced with type 105°C Thermoplastic wire or its equivalent.

# WIRE DIAGRAMS

(For full-sized Wire Diagrams, see Literature Envelope.)

**Figure 20 - Ladder Diagram For Boilers With CG 400-2060 Probe Type Low Water Cut-Off**

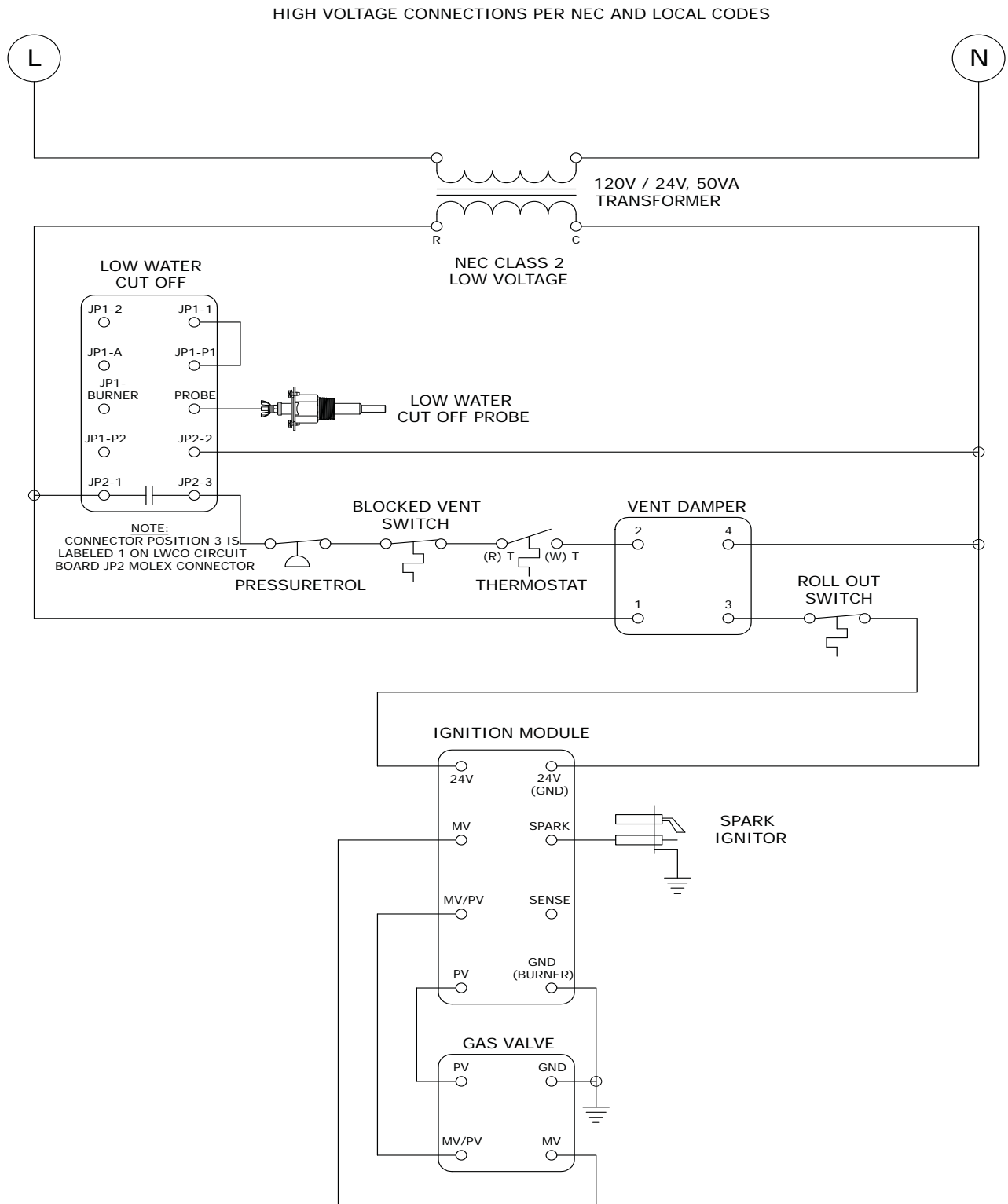


Figure 21 - Counter Flow Steam Systems

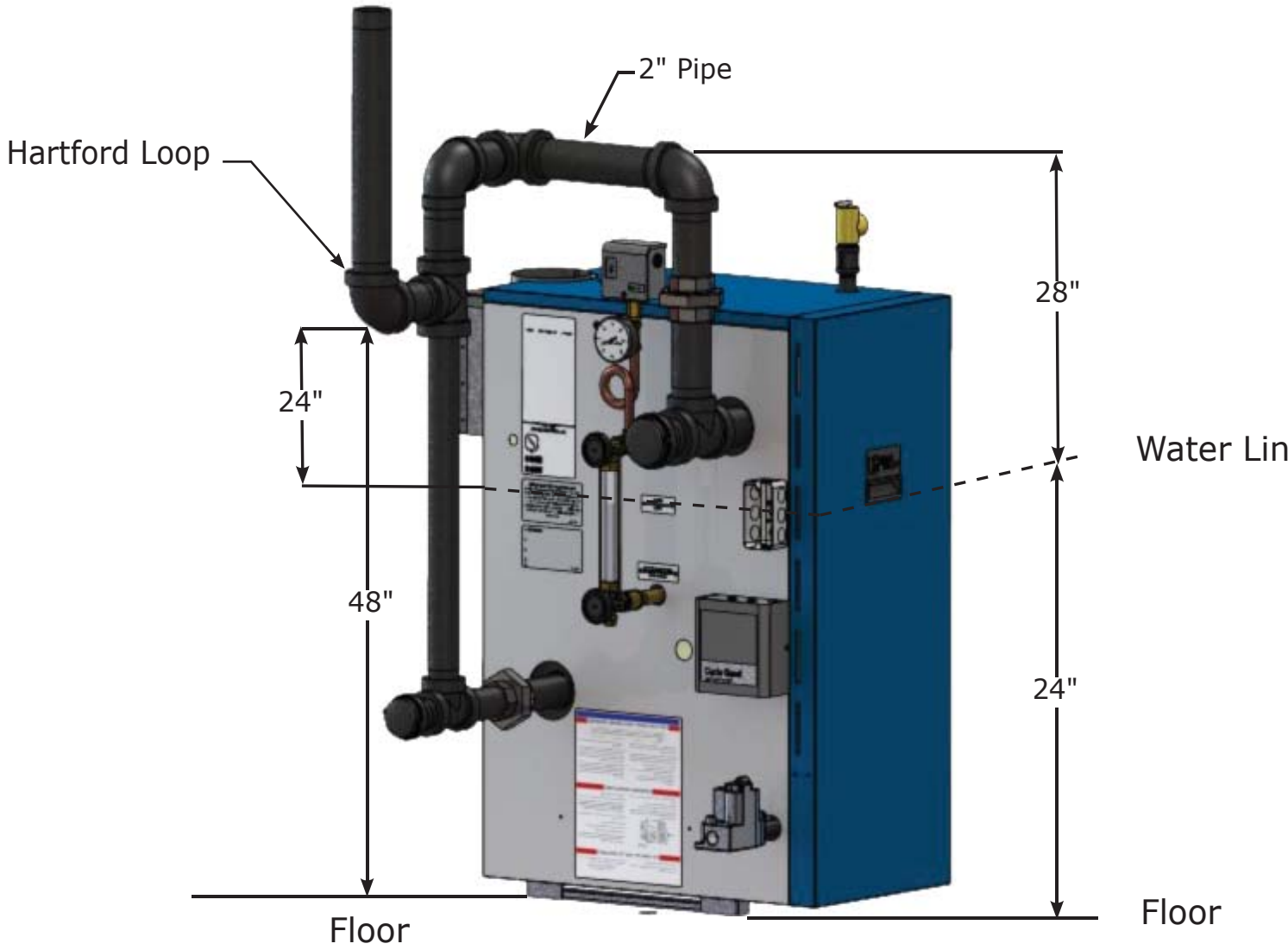
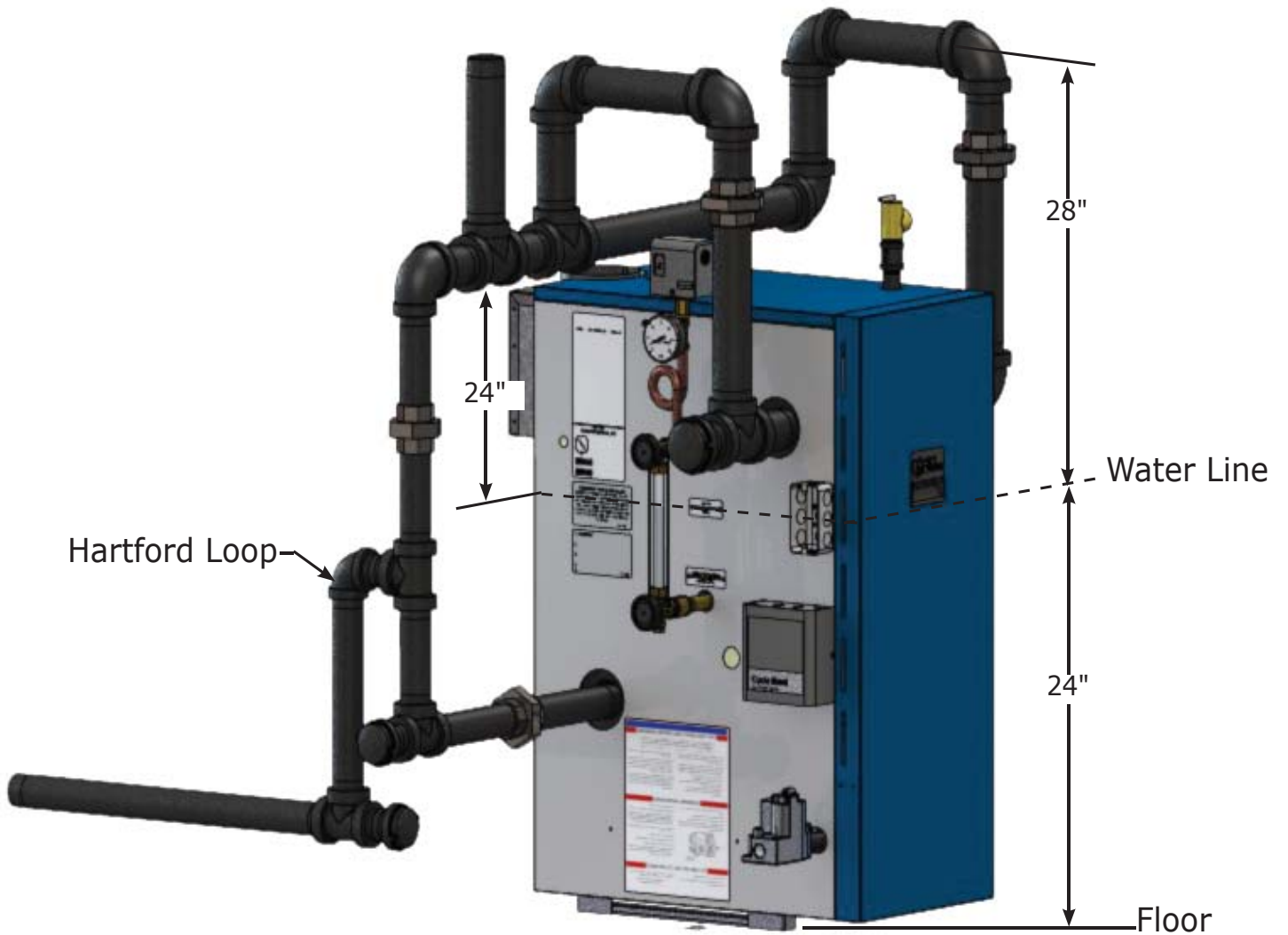


Figure 22 - Drop Header for True Swing Joint





**SERVICE RECORD**

<b>Company Address &amp; Phone #</b>																			
<b>Company Name &amp; Tech Initials</b>																			
<b>Service Performed</b>																			
<b>Date</b>																			



---

Columbia  
P.O. Box 24202,  
Baltimore, Maryland 21227