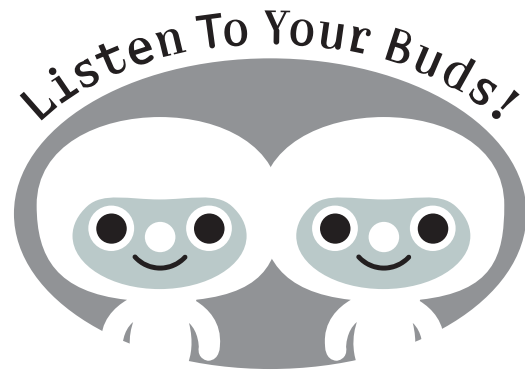


Note about Safe Listening Practices



Califone is proud to collaborate with the American Speech-Language-Hearing Association (ASHA) to promote the safe use of personal audio products in the classroom. These two guidelines will help students use audio technology responsibly:

- Lower the volume
- Limit listening time

Califone also recommends upgrading to ambient noise-reducing headphones

For more information, visit www.listentoyourbuds.org



Califone® International Inc. • 1145 Arroyo Avenue, # A • San Fernando, CA 91340 USA
Toll Free 800.722.0500 | Toll Free Fax 877.402.2248
International Customers call 818.407.2400 or Fax 818.407.2405 califone.com



Spirit™

1776

Multimedia Player/Recorder

Owner's Manual

califone.com



Spirit™ Multimedia Player/Recorder

Thank you for choosing the Spirit™ Multimedia Player/Recorder. It is designed to provide outstanding stereo sound in a portable system for educators and students. Your 1776 is ideal for individual and group listening centers in classrooms and libraries, music & story time activities, literacy groups, ELD and ESL language learning applications.

I encourage you to visit our website to register your 1776 for its warranty coverage, and while there please learn more about the complete line of Califone audio visual products including: Portable and installed wireless PA systems, multi-media players & recorders, headphones and headsets, computer peripheral equipment, visual presentation products and language learning materials.

Sincerely,

Roscoe Anthony
President, Califone® International, Inc.

Warranty Registration

The warranty for the 1776 Player/Recorder specifically covers use in schools, churches and early childhood daycare centers, unlike consumer electronic products. This is critical to help avoid lost class time due to “down” equipment and helps stretch budgets.

It is built to the same standards as the rest of our products which teachers and other presenters rely on day in and day out. Califone warrants this product to be free from defective material and workmanship for one year from the purchase date. Our “Project Intercept” Customer Satisfaction program will replace defective parts and repair malfunctioning products under this warranty when the defect occurs under normal use, provided the unit is returned to our factory via prepaid transportation only after the factory issues an RA (Return Authorization) number which must be clearly written on the outside of the box.

Unpacking your Spirit™ Player/Recorder

Check unit carefully for damage that may have occurred during transit. Each 1776 is carefully inspected at the factory and packed in a special carton for safe transport.

All Damage Claims Must Be Made With The Freight Carrier

Notify the freight carrier immediately if you observe any damage the shipping carton or product. Repack the unit in the carton and await inspection by the carrier’s claim agent. Notify your dealer of the pending freight claim.

Returning your unit for service or repairs

Should your unit require service, contact your dealer or Califone directly (Customer Service Department) at (800) 722-0500 **to first obtain a Return Authorization (RA) number.**

Damage Requiring Service

The Spirit™ should be serviced by qualified service personnel when:

- The power supply cord or the plug has been damaged
- Objects have fallen or liquid has been spilled into the Spirit™
- The Spirit™ has been exposed to rain
- It does not appear to be operating normally or exhibits a marked change in performance
- The Spirit™ has been dropped or the enclosure damaged

All shipments to Califone must include the RA number clearly marked on the exterior of the shipping carton and must shipped prepaid. C.O.D. shipments will be refused and returned at your cost.

Servicing

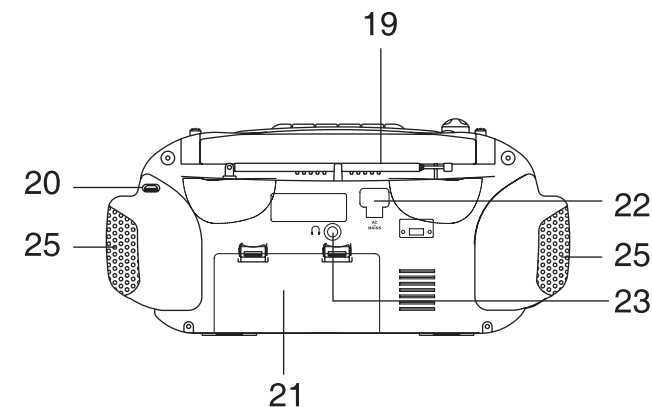
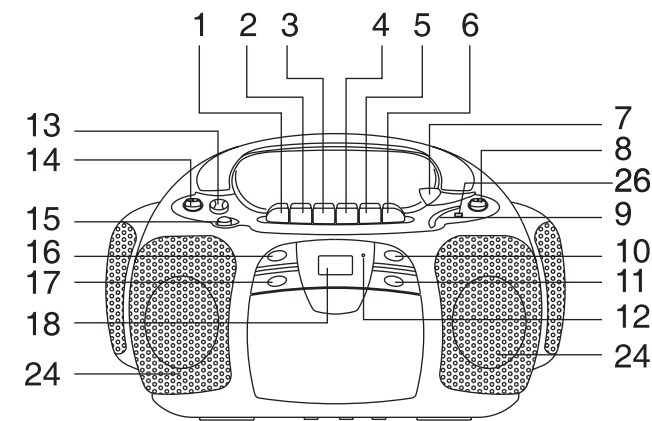
The user should not attempt to service the Spirit™ beyond that described in these operating instructions. For all other servicing, refer to qualified service personnel.

Contents

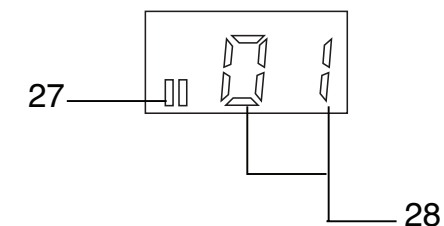
- 1776
- This Instruction Manual

Location of Controls and Indicators

1. Pause Button
2. Stop / Eject Button
3. Tape - Fast Forward Button
4. Tape - Fast Rewind Button
5. Play Button
6. Record Button
7. CD Door Open
8. Band Selector
9. Tuning Dial Pointer
10. CD - Forward Skip Button
11. CD - Backward Skip Button
12. FM Stereo Indicator LED
13. Volume Knob
14. Function Switch
15. DBB Button
16. Play / Pause Button
17. Stop Button
18. LCD Display
19. Telescopic Antenna
20. Tuning Knob
21. Battery Door
22. AC Main
23. 3.5mm Headphone/Jackbox jack
24. Speakers (Front)
25. Speakers (Rear)
26. Built-in microphone



LCD Display



27. Pause Indicator
28. Track Number Indicator

Visit us online at califone.com

Power Supply

Battery Supply

- Open the battery compartment and insert 8 “C” cell batteries.
- Remove the batteries if exhausted or if the unit will not be used for a long period.
- The battery supply is switched off when the set is connected to the main.
- To change over to battery supply, pull the plug out from the AC socket.

Note on Environmental Protection

Do not throw exhausted batteries in the garbage. Hand them over instead to a recycling center or public collection point.

Go to pages 14 & 15 to read about safe listening with headphones.

Radio Operation

Radio Reception

- Set the Function switch to **RADIO**.
- Turn the tuning button until a radio station with sufficient signal strength is found. Repeat this procedure until the desired station is reached.
- To tune into a weak station turn the tuning button until the display shows the desired frequency or when the best reception has been obtained.
- Extend the telescope antenna and adjust for best reception.
- Adjust the sound using the **VOLUME** and **DBBS** controls.
- You can connect a stereo headphone with a 3.5mm plug to the jack. Note that inserting the plug automatically disconnects the speakers.
- Select the wave band using the **BAND SELECT** selector.
- Tune to a desired radio station using the **TUNING** control.
- The set is switched off when the Function switch is in the **TAPE** position and no button is pressed.

Recording from the Radio

- Insert a blank or pre-recorded tape into the cassette compartment.
- Set the Function selector to **RADIO**.
- Select the wave band using the **BAND SELECT** switch.
- Tune to desired radio station using the **TUNING** control.
- Start recording by pressing record of cassette deck.

Visit us online at califone.com

Compact Disc Operation

Inserting a CD

- Set the Function switch to **CD**.
- To open the **CD** compartment, lift the CD door on the edge marked **OPEN/CLOSE**.
- Insert the **AUDIO CD**, printed side facing up.
- Close the cover.
- The CD-player scans the contents list of the CD, then the total number of tracks appears on the display.

Playing a CD

- Press **PLAY/PAUSE** to start playback.
- The display shows the track number.
- Adjust the sound using the **VOLUME** and **DBBS** controls.
- For brief interruptions, press **PLAY/PAUSE** – the “II” appears on the display.
- To resume playback, press **PLAY/PAUSE** again.
- To stop playback, press **STOP**.
- The total number of tracks will then appear on the display.

The CD player also goes to **STOP** position when:

- If the CD door is opened
- When the end of the CD is reached
- If the Function selector is changed
- If the batteries run down or if the power supply is interrupted.
- To take out the CD, open the CD door by lifting the edge marked **OPEN/CLOSE**.
- Open the CD door only if the CD-player is in position **STOP**.

Selecting another track during play

- Press **PREVIOUS** or **NEXT** until the desired track number appears in the display.
- The selected track begins to play after **PLAY/PAUSE** is pressed.

Starting with a particular track

- Press **PREVIOUS** or **NEXT** until the required track number appears in the display.
- Press **PLAY/PAUSE**.
- Play starts from the selected track.

Searching for a passage during a play

- Hold **PREVIOUS** down to search backwards to the beginning.
- Hold **NEXT** down to search forwards to the end.

Note:

This function can be described as “audibly” searching for a title. During the search, volume is reduced and returns to its adjusted level as soon as the button is released.

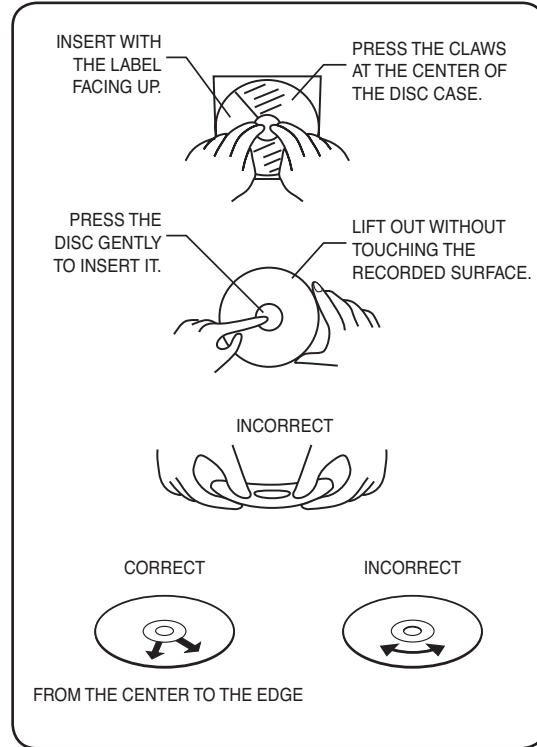
Handling Compact Discs

Inserting a CD

This unit is designed to play only compact discs bearing the identification logo below. Other discs may not conform to the CD standard and may not play properly.

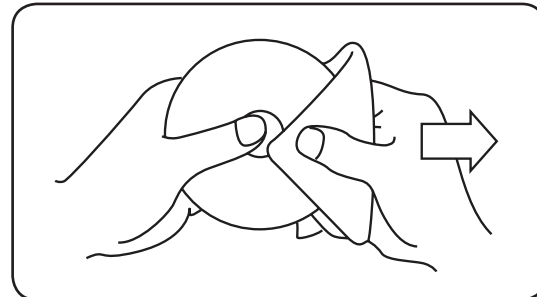


- Dirty, scratched or warped disc may cause skipping or noise.
- Handle the disc only by the edges. To keep clean, do not touch its surface.
- Discs should be stored in their cases after use to avoid serious scratches.
- Do not expose disc to direct sunlight, high humidity, high temperatures or dust etc. Prolonged exposure to extreme temperatures can warp the disc.
- Do not stick or write anything on either side of disc. Sharp writing instruments, or the inks used in some felt tip pens, may damage its surface.



Cleaning Disc

- Finger prints should be carefully wiped from the surface of disc with a soft cloth. Unlike conventional records, compact discs have no grooves to collect dust and microscopic debris, so gently wiping them with a soft cloth should remove most particles. Wipe in a straight motion from the center to the edge.
- Never use thinner, benzine, record cleaner or anti-static spray on a compact disc as they can damage its plastic surface.



Visit us online at califone.com

Cassette Deck Operation

Califone recommends the use of C-60 tapes. Tapes longer than this are thinner and are more prone to breakage or jamming the internal mechanisms.

Cassette Playback

- Set the Function switch to TAPE.
- Press **STOP/EJECT** to open the cassette holder.
- Insert a recorded cassette.
- Adjust the sound using the **VOLUME** and **DBBS** controls.
- Press **PLAY** and playback will start.
- Playback stops when the tape in the deck reaches the end.
- For brief interruptions, press **PAUSE**.
- To restart playback, press this button once more.
- To stop, press **STOP/EJECT**.
- When the end of the tape is reached the **PLAY** button is released.
- The set will be switched off if the Function switch is in TAPE position and no buttons are pressed.

Cassette Recording from the built-in mic

Cassette recordings are ideal for creating permanent records of a group project or student progress with the built-in microphone.

- Set the function switch to "Tape"
- Press **STOP/EJECT** to open the cassette holder.
- Insert a blank cassette.
- Start recording by pressing **RECORD** (the **PLAY** button is automatically pressed).
- When the end of the tape is reached, the recorder buttons are released.
- To interrupt recording, press **PAUSE**.
- To continue recording, press **PAUSE** again.
- Press **STOP/EJECT** if you want to stop recording before the end of the tape. When pressed again, the cassette holder will open.
- The set is switched off if the Function switch is in position TAPE and no buttons are pressed.

Recording from the CD-player

- Insert a blank or pre-recorded tape into the cassette compartment.
- Set the Function switch to CD.
- Start recording by pressing **RECORD** of the cassette deck (the **PLAY** button is automatically also pressed).
- Press **PLAY/PAUSE** of CD control to desired play track or from the beginning of the programmed selection.
- As soon as the desired passage is reached, pause the CD and then start recording by pressing **RECORD**.

Recording from the Radio

- Insert a blank or pre-recorded tape into the cassette compartment.
- Set the Function selector to **RADIO**.
- Select the wave band using the **BAND SELECT** switch.
- Tune to desired radio station using the **TUNING** control.
- Start recording by pressing record of cassette deck.

Visit us online at califone.com

Tips on Cassettes

Winding & Rewinding the tape

- Press **FAST REWIND** to search backward to the beginning of the tape.
- Press **FAST FORWARD** to search forward to the end of the tape.

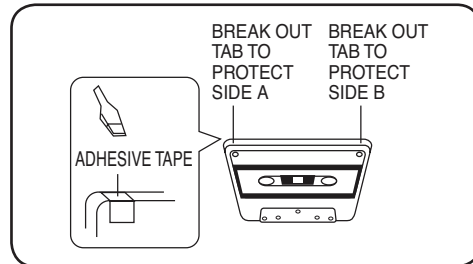
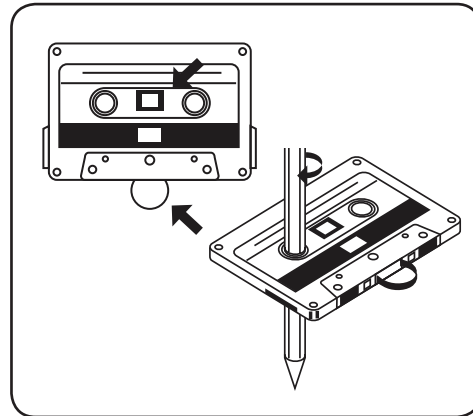
Make sure that the cassette tape has no slack prior to inserting it into the recorder. Unless the tape is taut, it may wind around the head mechanism and trouble may result. Use a pencil to wind the reels as necessary to take up any tape slack.

Cassette Tape Selection

The quality condition of cassette tapes used will have a direct effect on the performance of this unit. Califone recommends using tapes no longer than 60 minutes since longer tapes are more prone to stretching, breaking and can easily become entangled in the drive mechanism causing major damage. Use only NORMAL "tape A" or "type 1" cassette tape.

Safeguard Against Accidental Erasing

Note: Do not force the record button when the cassette record-protect tab has been removed. This may result in damage to the unit. To record on a cassette whose tab have been broken off, simply attach adhesive tape over the tab opening.



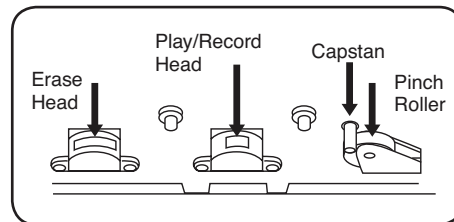
Periodic Maintenance

External Care

Periodically wipe the cabinet with a soft cloth dampened in diluted soapy solution, then wipe with a dry cloth. Do not use harsh cleansing chemicals, they may damage or discolor the cabinet finish. Do not allow liquids or foreign objects to enter the CD compartment.

Cassette Deck

This unit has been permanently lubricated at the factory, no further lubrication is necessary. If a loss in brilliance (high frequency response) is noticed, the tape head probably needs cleaning. This may be done by playing a special head cleaning cassette, available at most dealers. As an alternative, the surface of the head may be cleaned with a cotton swab moistened in alcohol or special head-cleaning fluid. Carefully rub the face of the head, being careful not to scratch its polished surface. Make sure to also clean the surface of the capstan and pinch roller.

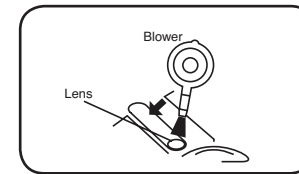


Visit us online at califone.com

Periodic Maintenance

Compact Disc Player

The accumulation of dust particles on the laser pickup lens may cause skipping or track jump. Use a camera lens brush/blower to blow clean. Do not touch the pickup lens. Fingerprints will also cause the player to malfunction.



Care and Maintenance

Care and Handling of Compact Discs

1. Handle the disc by its edges or center hole. To keep the disc clean, avoid touching the data surface.
2. Data is embedded directly beneath the label, protected only by a thin lacquer layer and is more vulnerable to damage than the bottom. A scratch that penetrates the label will certainly destroy data, whereas a scratch on the bottom can often be overlooked or corrected by the laser pickup.
3. Do not write on the label surface. A ballpoint will damage data; marking pens have solvents that may penetrate the top layer.
4. Do not stick paper or tape on the label surface; this probably won't hurt the disc but might jam the disc drive.
5. Do not expose a disc to high temperature or humidity for an extended period of time. The disc material will soften at around 200 degrees Fahrenheit. Allow the disc to reach room temperature before playing if it has been subjected to extreme cold.
6. Preventive cleaning is unnecessary and potentially harmful. Clean only when required.
7. Clean a disc with a soft moistened cloth. Pat dry. Wipe the disc from the center out like spokes of a wheel. Never wipe across a disc as you would an LP record.
8. Never use solvents, commercial cleaners or sprays designed for LP's. Plain lukewarm water is recommended.
9. Keep discs protected at all times.

Cassette Maintenance & Service Cleaning

The heads, capstan and pinch roller should be cleaned from time to time to prevent buildup of tape oxide, which degrades performance.

1. Remove cassette tape before cleaning.
 2. Clean the head of all visible, reddish-brown oxide with a cotton-tipped swab moistened with a methyl alcohol or any solution specifically manufactured for this purpose.
- Caution:** DO NOT scrape the head surface with hard, sharp or abrasive objects. This will permanently damage the heads.
3. Clean the pinch roller by scrubbing the surface of the roller with the moistened swab. Rotate the roller by hand until the entire surface is clean.
 4. Clean external case surfaces with a moist, soft cloth. Use only a mild detergent water solution.

Tape Head Demagnetization

It is recommended that the tape heads be demagnetized from time to time. This eliminates residual magnetism which degrades sound reproduction and the recording function.

1. After cleaning the heads and capstan, place the demagnetizer several feet away from the cassette unit and plug it into an AC outlet.
2. Follow the manufacturer's operating instructions supplied with the demagnetizer.

Troubleshooting

PROBLEMS

General

The unit does not operate.

Cassette

Cassette cannot be loaded.

The tape does not move.

The tape gets caught in the tape transport mechanism.

Tape speed is slow.

Tape running is unstable.

There is excessive noise, the sound quivers or there are breaks in the sound.

Recording

The RECORD key cannot be depressed.

Recording cannot be done.
The previous recording cannot be erased.

No sound output.

CD

CD play does not begin.

The CD produces no sound

The CD sound jumps.

CD stops immediately.

CD takes too long to start

AM/FM Radio

No sound or signal

Signal is unclear.

FM Stereo reception is unclear.

ITEMS TO CHECK

Is the AC power cord unplugged?
Are the batteries fully charged?

Is cassette being loaded properly?
Is the PLAY key depressed?

Is the PAUSE key depressed?

Is the pinch roller or capstan dirty?
Is there excessive slack in the tape?

Is the tape too old or the quality bad?

Is there excessive slack in the tape?

Are the tape heads dirty?

Is a cassette loaded?
Is the cassette's erasure prevention tab broken off?
Are the heads dirty?
Is the erasure head dirty?
Is the tape type other than type 1 normal bias?

Is the master volume turned up?

Is the AC power cord unplugged or loose?
Is the CD upside down?
Is the CD or lens excessively dirty?
Is the disc holder closed properly?
Is the PAUSE mode on?
Is the FUNCTION switch on CD mode?
Is there condensation inside the unit? If so, let stand for 1-2 hours until dry.
Is the lens or CD excessively dirty?
Is the unit subjected to excessive vibration?
Are there any bad scratches on the CD?
Is CD loaded upside down?
Is CD not set properly in tray?
Is CD excessively dirty?
Press STOP and PLAY/PAUSE again, repeat if necessary.

Is FUNCTION Selector set to Radio?
Is Band Selector set properly?

Is telescoping antenna fully extended and properly positioned for best reception?

Tune Radio so FM Stereo LED is lit. Adjust antenna if necessary.

Specifications

Radio

Frequency range FM: 87 -108 MHz

AM: 530 - 1710 KHz

Antennas FM: Telescopic antenna with reinforced jointing point for increased strength

AM: Built-in ferrite bar

Frequency response 100-8,000Hz

Cassette

FF/Rew Time 144 seconds (C60 recommended tape length)

Record Level Control Auto Level Control

Mechanism Auto Stop

Controls Volume, Dynamic Bass Boost System

Built-in mic to record to tape

CD

CD 2 Digit LCD display,

Play, Pause, Stop, F Skip, B Skip

Frequency Range FM: 88 - 108 MHz

AM: 530 - 1710 kHz

Output Jack - single 3.5mm stereo headphone jack

Power Requirements AC: 110V, 60Hz, 14W

DC: 12VDC, UM2 ("C") Batteries (8)

Power consumption 14W in AC operation with an accessory supplied AC power cord

Power Output 2 Watts RMS

Wow and Flutter 0.17%

S/N Ratio 30dB

Speakers 3" 8 ohms x 2; 2.2" 8 ohms x 2

Exterior Casing Rugged ABS plastic for durability and classroom safety

Dimensions 13.5"L x 9.75"W x 6.5"H

Weight 5.7 lbs., w/o batteries, shipping weight 8 lbs.

Safety Listings C-UL & CE approved.

Warranty - 1 year from date of purchase

DESIGN AND SPECIFICATION ARE SUBJECT TO CHANGE WITHOUT NOTICE.

Expanded Uses for the Spirit™



Listening Center Use

Your Spirit™ can also be used as part of a classroom or library-based listening center. By plugging a jackbox into the 3.5mm plug on the 1776, you can create a customized activity for learners of similar abilities for differentiated classroom instruction. Shown here is the 1776PLC-6, which includes a 10-person jackbox (1210AVPS shown right) and six 3068 Mono/Stereo headphones (3068AV shown right). Also available but not shown is a 4-person center (1776-PLC).

Classroom-wide Applications

Schools are confronted with multiple audio issues affecting their teachers and students. A 1995 study by the General Accounting Office (GAO) found noise to be the single most prevalent problem in American schools. The Centers for Disease Control estimates up to 15% of the school age population have permanent hearing loss. As administrators strive to meet NCLB goals, they must also address groups with diverse needs such as ELL, ESL and students with special needs. Teachers need to convey audio information to students in all of these groups in a clear, concise manner. Given that children have not yet cultivated listening skills like adults have such as blocking out background noise, they require a better signal-to-noise ratio for enhanced hearing and comprehension. However, if the subject matter is unfamiliar or competing environmental noises are too distracting, students aren't going to be able to listen and focus on what is being said.



Our Classroom Infrared Audio System can help teachers teach and how students learn through two key features. Califone has eliminated interference and enhanced reception by doubling the amount of ceiling sensors found in a traditionally sized classroom. Twice the number of sensors as other systems means better audio coverage from the wireless mic. The second enhancement is the introduction of "array" speaker technology to classroom audio. Array speakers (such as what's seen in concert halls) produce a different sound pattern than traditional ceiling speakers. Instead of their broad indiscriminate pattern, Califone array speakers create a narrow band of sound that is focused directly at the students. By not bouncing random and confusing sound off the walls and windows, the array sound pattern improves the critical signal-to-noise ratio with its more focused and concise message while only marginally adding to already elevated background noise levels.

CAUTION

RISK OF ELECTRIC SHOCK - DO NOT OPEN

CAUTION: TO REDUCE THE RISK OF ELECTRIC SHOCK, DO NOT REMOVE COVER OR BACK. NO USER SERVICEABLE PARTS INSIDE. REFER SERVICING TO QUALIFIED PERSONNEL.

The lightning flash with arrowhead within a triangle is intended to tell the user that parts inside the product are a risk of electric shock to persons.

The exclamation point within a triangle is intended to tell the user that important operating and servicing instructions are in the papers with the appliance.

This product is not designed to function normally in strong electromagnetic fields. Consequently, the audio quality may degrade while the product is exposed to strong electromagnetic fields. Normal audio quality operation will be recovered when the strong electromagnetic field is no longer present.

WARNING:

TO REDUCE THE RISK OF FIRE OR ELECTRIC SHOCK, SO NOT EXPOSE THIS APPLIANCE TO RAIN OR MOISTURE.

Ce produit n'est pas conçu pour un fonctionnement dans de forts champs électromagnétiques. Par conséquent, la qualité sonore peut diminuer si ce produit est exposé à un fort champ électromagnétique. La qualité sonore redeviendra normale après affaiblissement du champ électromagnétique.

IMPORTANT SAFETY INSTRUCTIONS

ATTENTION: ALL SAFETY AND OPERATING INSTRUCTIONS SHOULD BE READ BEFORE OPERATING APPLIANCE. ALL OPERATING AND USE INSTRUCTIONS SHOULD BE FOLLOWED WHEN OPERATING THE APPLIANCE. HEED AND ADHERE TO ALL WARNINGS ON THE APPLIANCE AND IN THE OPERATING INSTRUCTIONS. RETAIN ALL SAFETY AND OPERATING INSTRUCTIONS FOR FUTURE REFERENCE.

WATER & MOISTURE - DO NOT USE THE APPLIANCE NEAR WATER; IE. BATHTUB, WASHBOWL, KITCHEN SINK, LAUNDRY TUB, WET BASEMENT OR SWIMMING POOL.

VENTILATION - DO NOT SITUATE THE SPIRIT™ SO THAT ITS LOCATION OR POSITION INTERFERES WITH ITS PROPER VENTILATION. IT SHOULD NOT BE PLACED IN A BUILT-IN INSTALLATION, SUCH AS A BOOKCASE OR CABINET WHICH MAY IMPEDE THE FLOW OF AIR THROUGH ITS VENTILATION OPENINGS.

HEAT - SITUATE THE SPIRIT™ AWAY FROM HEAT SOURCES SUCH AS RADIATORS, HEAT REGISTERS, AND STOVES THAT PRODUCE HEAT.

POWER SOURCES - CONNECT THE APPLIANCE ONLY TO A POWER SUPPLY TYPE DESCRIBED IN THE OPERATING INSTRUCTIONS OR MARKED ON THE APPLIANCE.

GROUNDING OR POLARIZATION - PRECAUTIONS SHOULD BE TAKEN SO THAT THE GROUNDING OR POLARIZATION MEANS OF THE APPLIANCE ARE NOT DEFEATED.

POWER CORD PROTECTION - POWER SUPPLY CORDS SHOULD BE ROUTED SO THAT THEY ARE NOT LIKELY TO BE WALKED ON OR PINCHED BY ITEMS PLACED UPON OR AGAINST THEM, PAYING PARTICULAR ATTENTION TO CORDS AT PLUGS, CONVENIENCE RECEPTACLES, AND THE POINT WHERE THEY EXIT FROM THE APPLIANCE.

CLEANING - THE APPLIANCE SHOULD BE CLEANED ONLY AS RECOMMENDED BY THE MANUFACTURER.

NON USE PERIODS - UNPLUG THE APPLIANCE POWER CORD FROM THE OUTLET WHEN LEFT UNUSED FOR A LONG PERIOD OF TIME.

OBJECT & LIQUID ENTRY - CARE SHOULD BE TAKEN SO THAT OBJECTS DO NOT FALL AND LIQUIDS ARE NOT SPILLED INTO THE ENCLOSURE THROUGH OPENINGS.

DAMAGE REQUIRING SERVICE - THE APPLIANCE SHOULD BE SERVICED BY QUALIFIED SERVICE PERSONNEL WHEN: (A) THE POWER SUPPLY CORD OR THE PLUG HAS BEEN DAMAGED (B) OBJECTS HAVE FALLEN OR LIQUID HAS BEEN SPILLED INTO THE APPLIANCE (C) THE APPLIANCE HAS BEEN EXPOSED TO RAIN (D) THE APPLIANCE DOES NOT APPEAR TO BE OPERATING NORMALLY OR EXHIBITS A MARKED CHANGE IN PERFORMANCE (E) THE APPLIANCE HAS BEEN DROPPED OR THE ENCLOSURE DAMAGED.

SERVICING - THE USER SHOULD NOT ATTEMPT TO SERVICE THE APPLIANCE BEYOND THAT DESCRIBED IN THE OPERATING INSTRUCTIONS. ALL OTHER SERVICING REFER TO A QUALIFIED SERVICE PERSONNEL.

Visit us online at califone.com

Related Products

8101

Shown with additional headphone



Playing back lessons or music

To play back music on your 8100, first power the unit on by pressing and holding the Play/Pause button (10). After initializing and scanning for available tracks, the Main screen will appear.

To play all tracks:

- Press the Play/Pause button (10) once, or
- Press the Menu button (4)
- Scroll to Select All
- Press OK (5)

To view tracks by meta tags:

- Press the Menu button (4)
- Scroll to the desired meta tag (Artist, Album, Songs, Genre, Year)
- Press OK (5)

To play a single track repeatedly:

- Press the Menu button (4)
- Scroll to Settings and press OK (5)
- Scroll to Repeat Track and press OK (5)

To play all tracks repeatedly:

- Press the Menu button (4)
- Scroll to Settings and press OK (5)
- Scroll to Repeat All and press OK (5)

To play all tracks in random order:

- Press the Menu button (5)
- Scroll to Settings and press OK (5)
- Scroll to Repeat All and press OK (5)

Playing back voice tracks

- Press the Menu button (4)
- Scroll to Play Voice and press OK (5)
- Select a voice file and press OK (5)

Recording Podcasts & voice tracks

- Press the Record Button (14)
- To pause during recording, press the Record button (14). Pressing the Record button again resumes recording
- To stop recording, press OK (5)

Visit us online at califone.com

Headphone Listening

Listening with Wired Headphones

A single 3.5 mm headphone jack (23) is located on top of the Spirit™. A jackbox instead could instead, could be plugged in for multiple listeners.

Califone recommends the following for use with the Spirit™.



3068

2924AVP



1210AVPS Jackbox



2810-BE



2810-PA



2810-TI

For younger students.

Visit us online at califone.com