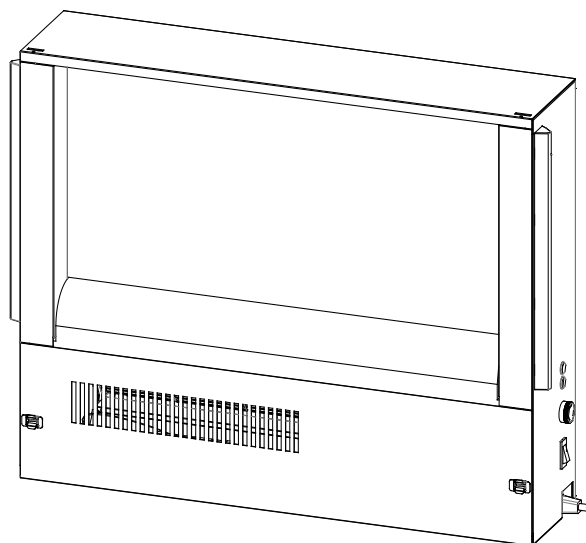


Model(s):

SF-WM36-WH

SF-WM36-BK



NOTICE



DO NOT DISCARD THIS MANUAL

- Important operating and maintenance instructions included.
- Read, understand and follow these instructions for safe installation and operation.
- Leave this manual with party responsible for use and operation.

**DO NOT
DISCARD**

READ CAREFULLY BEFORE ATTEMPTING TO ASSEMBLE, INSTALL, OPERATE, OR MAINTAIN THIS PRODUCT.

PROTECT YOURSELF AND OTHERS BY OBSERVING ALL SAFETY INFORMATION. FAILURE TO COMPLY WITH INSTRUCTIONS COULD RESULT IN PERSONAL INJURY AND/OR PROPERTY DAMAGE.

⚠ WARNING: To reduce risk of fire, electrical shock, or personal injury, read all instructions before using heater.

**INSTALLER: DO NOT DISCARD THIS MANUAL -
LEAVE FOR HOMEOWNER - SAVE THESE INSTRUCTIONS**

1 IMPORTANT INSTRUCTIONS

IMPORTANT SAFETY INSTRUCTIONS

**WARNING! Risk of Fire! Risk of Burns!
Risk of Electrical Shock!**

DO NOT:

- Install or operate damaged heater
- Modify heater
- Operate the heater without fully assembling all components

The following actions are strictly prohibited.

- Installation other than as instructed by *Hearth & Home Technologies Inc.*
- Installation and/or use of any component part not approved by *Hearth & Home Technologies Inc.*

Hearth & Home Technologies Inc. disclaims any responsibility for, and the warranty and agency listing will be voided by the above actions.

When using electrical appliances, basic precautions should always be followed to reduce the risk of fire, electric shock, and injury to persons, including the following:

- Read all instructions before installing this heater.
- This heater is hot when in use. To avoid burns, do not let bare skin touch hot surfaces. Keep combustible materials such as furniture, pillows, bedding, papers, clothes, etc. and curtains at least 3 ft. (0.9 m) from the front of the heater and keep them away from the sides and rear
- Extreme caution is necessary when any heater is used by or near children or invalids and whenever the heater is left operating and unattended.
- Do not operate any heater after it malfunctions. Disconnect power at service panel and have heater inspected by a reputable electrician before reusing.
- Do not insert or allow foreign objects to enter any ventilation or exhaust opening as this may cause an electric shock or fire, or damage the heater.
- To prevent a possible fire, do not block heater connection fan air intakes or exhaust in any manner.
- A heater has hot and arcing or sparking parts inside. Do not use it in areas where gasoline, paint, or flammable vapors or liquids are used or stored.
- Use this heater only as described in this manual. Any other use not recommended by the manufacturer may cause fire, electric shock, or injury to persons.
- Do not operate any heater with a damaged cord or plug or after the heater malfunctions, has been dropped or damaged in any manner. Return heater to authorized service facility for examination, electrical or mechanical adjustment or repair.
- Do not use outdoors.
- The heater is not intended for use in bathrooms, laundry areas and similar indoor locations. Never locate heater where it may fall into a bathtub or water container.
- Do not run cord under carpeting. Do not cover cord with throw rugs, runners, or the like. Arrange cord away from traffic areas and where it will not be tripped over. Do not coil cord.
- Do not insert or allow foreign objects to enter any ventilation or exhaust opening as this may cause an electrical shock or fire, or damage the heater.
- To prevent a possible fire, do not block air intakes or exhaust in any manner.
- Always use properly grounded, fused and polarized outlets.
- Always use ground fault protection where required by electrical code.
- To disconnect heater, turn controls to "OFF" then remove plug from outlet.
- Always disconnect power before performing any cleaning, maintenance or relocation of the heater.
- To prevent a possible fire, do not burn wood or other materials in this heater.
- To prevent electrical shock or fire, always use a certified electrician should new circuits be required.
- When transporting or storing the heater, keep in a dry place free from excess vibration and store to avoid damage.
- Avoid use of an extension cord because an extension cord may overheat and cause a fire. However if you have to use an extension cord, the cord should be No. 14 AWG minimum size and rated to not less than 1875 watts.

WARNING! DO NOT operate fireplace before reading and understanding operating instructions. Failure to operate fireplace according to operating instructions could cause fire or injury.

WARNING! Improper installation, adjustment, alteration, service or maintenance can cause injury or property damage. Refer to owner's information manual provided with this heater. For assistance or additional information consult a qualified installer, service agency or your dealer .

NOTICE! This fireplace is not intended for use as a primary heat source and should not be factored as such in residential heating calculations.

SAVE THESE INSTRUCTIONS

Read this manual before installing or operating this appliance.
Please retain this owner's manual for future reference.

B. Congratulations

Congratulations on selecting a SimpliFire Electric Fireplace, an elegant and clean alternative to wood & gas burning fireplaces. The SimpliFire electric fireplace you have selected is designed to provide the utmost in safety, reliability, and efficiency.

As the owner of a new fireplace, you'll want to read and carefully follow all of the instructions contained in this *Owner's Manual*. Pay special attention to all cautions and warnings.

This *Owner's Manual* should be retained for future reference. We suggest that you keep it with your other important documents and product manuals.

The information contained in this *Owner's Manual*, unless noted otherwise, applies to all models and control systems.

Your new SimpliFire electric fireplace will give you years of durable use and trouble-free enjoyment. Welcome to the SimpliFire family of electric fireplace products!

Homeowner Reference Information

We recommend that you record the following pertinent information about your fireplace.

Model Name: _____ Date purchased/installed: _____

Serial Number: _____ Location on fireplace: _____

Dealership purchased from: _____ Dealer Phone: _____

Notes: _____

▲ Safety Alert Key:

- **WARNING!** Indicates a hazardous situation which, if not avoided could result in death or serious injury.
- **CAUTION!** Indicates a hazardous situation which, if not avoided, could result in minor or moderate injury.

Table of Contents

1 IMPORTANT INSTRUCTIONS

A. Important Instructions	2
B. Congratulations	3
C. Limited Lifetime Warranty	5

2 GENERAL INFORMATION

A. Appliance Certification	7
B. Unpacking and Inspecting Appliance	7
C. Model and Serial Number Information	7

3 GETTING STARTED

A. Parts and Hardware	8
B. Tools and Supplies Needed	8
C. Appliance	8
D. Location	9
E. Clearance to Combustibles	9
F. Electrical Supply Circuit Requirements	9
G. Electrical Connection	9

4 INSTALLATION

A. Wall Mounting Bracket	10
B. Installing Wall Mount Bracket	10
C. Appliance Installation	11
D. Faux Stone Installation	12
E. Glass Front Installation	12
F. Electrical Connection	12

5 OPERATING INSTRUCTIONS

A. Manual Switch Function:	13
B. Operating by Remote Control	14
C. Resetting Temperature Cutoff Switch	14

6 MAINTENANCE

A. Maintenance	15
B. Cleaning	15
C. Servicing	15
D. Replacement Instructions	16
E. Contact Information	17

C. Limited Lifetime Warranty

Hearth & Home Technologies LIMITED LIFETIME WARRANTY

Hearth & Home Technologies, on behalf of its hearth brands ("HHT"), extends the following warranty for HHT gas, wood, pellet, coal and electric hearth appliances that are purchased from an HHT authorized dealer.

WARRANTY COVERAGE:

HHT warrants to the original owner of the HHT appliance at the site of installation, and to any transferee taking ownership of the appliance at the site of installation within one year following the date of original purchase, that the HHT appliance will be free from defects in materials and workmanship at the time of manufacture. After installation, if covered components manufactured by HHT are found to be defective in materials or workmanship during the applicable warranty period, HHT will, at its option, repair or replace the covered components. HHT, at its own discretion, may fully discharge all of its obligations under such warranties by replacing the product itself or refunding the verified purchase price of the product itself. The maximum amount recoverable under this warranty is limited to the purchase price of the product. This warranty is subject to conditions, exclusions and limitations as described below.

WARRANTY PERIOD:

Warranty coverage begins on the date of original purchase. In the case of new home construction, warranty coverage begins on the date of first occupancy of the dwelling or six months after the sale of the product by an independent, authorized HHT dealer/ distributor, whichever occurs earlier. The warranty shall commence no later than 24 months following the date of product shipment from HHT, regardless of the installation or occupancy date.

WARRANTY CONDITIONS:

- This warranty only covers HHT appliances that are purchased through an HHT authorized dealer or distributor. A list of HHT authorized dealers is available on the HHT branded websites.
- Contact your installing dealer for warranty service. If the installing dealer is unable to provide necessary parts, contact the nearest HHT authorized dealer or supplier. Additional service fees may apply if you are seeking warranty service from a dealer other than the dealer from whom you originally purchased the product.
- Check with your dealer in advance for any costs to you when arranging a warranty call. Travel and shipping charges for parts are not covered by this warranty.

WARRANTY EXCLUSIONS:

This warranty does not cover the following:

- Changes in surface finishes as a result of normal use. As a heating appliance, some changes in color of interior and exterior surface finishes may occur. This is not a flaw and is not covered under warranty.
- Damage to printed, plated, or enameled surfaces caused by fingerprints, accidents, misuse, scratches, melted items, or other external sources and residues left on the plated surfaces from the use of abrasive cleaners or polishes.
- Repair or replacement of parts that are subject to normal wear and tear during the warranty period. These parts include: paint, wood, pellet and coal gaskets, firebricks, grates, flame guides, batteries and the discoloration of glass.
- Minor expansion, contraction, or movement of certain parts causing noise. These conditions are normal and complaints related to this noise are not covered by this warranty.
- Damages resulting from: (1) failure to install, operate, or maintain the appliance in accordance with the installation instructions, operating instructions, and listing agent identification label furnished with the appliance; (2) failure to install the appliance in accordance with local building codes; (3) shipping or improper handling; (4) improper operation, abuse, misuse, continued operation with damaged, corroded or failed components, accident, or improperly/ incorrectly performed repairs; (5) environmental conditions, inadequate ventilation, negative pressure, or drafting caused by tightly sealed constructions, insufficient make-up air supply, or handling devices such as exhaust fans or forced air furnaces or other such causes; (6) use of fuels other than those specified in the operating instructions; (7) installation or use of components not supplied with the appliance or any other components not expressly authorized and approved by HHT; (8) modification of the appliance not expressly authorized and approved by HHT in writing; and/or (9) interruptions or fluctuations of electrical power supply to the appliance.
- Non-HHT venting components, hearth components or other accessories used in conjunction with the appliance.
- Any part of a pre-existing fireplace system in which an insert or a decorative gas appliance is installed.
- HHT's obligation under this warranty does not extend to the appliance's capability to heat the desired space. Information is provided to assist the consumer and the dealer in selecting the proper appliance for the application. Consideration must be given to appliance location and configuration, environmental conditions, insulation and air tightness of the structure.

B. Limited Lifetime Warranty (*continued*)

This warranty is void if:

- The appliance is operated in atmospheres contaminated by chlorine, fluorine, or other damaging chemicals.
- The appliance is subjected to prolonged periods of dampness or condensation.
- There is any damage to the appliance or other components due to water or weather damage.

LIMITATIONS OF LIABILITY:

- The owner's exclusive remedy and HHT's sole obligation under this warranty, under any other warranty, express or implied, or in contract, tort or otherwise, shall be limited to replacement, repair, or refund, as specified above. In no event will HHT be liable for any incidental or consequential damages caused by defects in the appliance. Some states do not allow exclusions or limitation of incidental or consequential damages, so these limitations may not apply to you. This warranty gives you specific rights; you may also have other rights, which vary from state to state. EXCEPT TO THE EXTENT PROVIDED BY LAW, HHT MAKES NO EXPRESS WARRANTIES OTHER THAN THE WARRANTY SPECIFIED HEREIN. THE DURATION OF ANY IMPLIED WARRANTY IS LIMITED TO DURATION OF THE EXPRESSED WARRANTY SPECIFIED ABOVE.

2 GENERAL INFORMATION

A. Appliance Certification

MODELS: SF-WM36
LABORATORY: CSA International
TYPE: Electric Air-Heaters Fixed and Location-Dedicated Electric Room Heaters
STANDARD: UL 2021 (2nd Edition) CSA C22.2 No 46-M1988

NOTICE: This installation must conform with local codes.

NOT INTENDED FOR USE AS A PRIMARY HEAT SOURCE.

This appliance is tested and approved as either supplemental room heat or as a decorative appliance. It should not be factored as primary heat in residential heating calculations.

Note: The device complies with Part 15 of the FCC Rules. Operation is subject to the following two conditions:

1. This device may not cause harmful interference, and
2. This device must accept any interference received, including interference that may cause undesired operation.

This equipment uses and can radiate radio frequency energy and, if not installed and used in accordance with the instructions, may cause harmful interference to radio or television reception, which can be determined by turning the equipment off and on. The user is encouraged to try to correct the interference by one or more of the following measures:

- Reorient or relocate the receiving antenna
- Increase the separation between the equipment and the receiver.
- Connect the equipment into an outlet on a circuit different from that to which the receiver is connected.
- Consult the dealer or an experienced radio/TV technician for help.

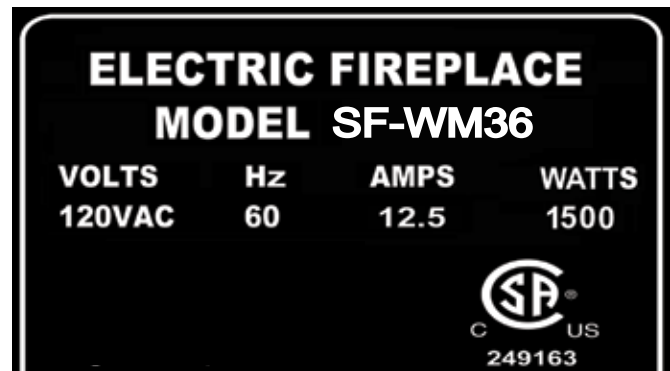
B. Unpacking and Inspecting Appliance

WARNING! Risk of Damage or Personal Injury! DO NOT use this Electric Fireplace if any part has been under water. Immediately call a qualified service technician to inspect and to replace any part of the electrical system if necessary. Keep plastic wrapping away from children.

- Carefully remove the appliance and components from the packaging. Discard packaging.
- Carefully inspect components for any damage, particularly the condition of the glass.
- Reference parts list to verify all parts have been received.
- Report to your dealer any missing or damaged parts.
- Read all the instructions before starting the installation. Follow these instructions carefully during the installation to ensure maximum safety and benefit.

C. Model and Serial Number Information

The model and serial number information is located on the rating plate. The rating plate is located on the left side of the top surface of the appliance.



3 GETTING STARTED

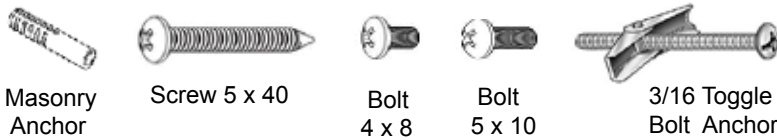
A. Parts and Hardware

Parts and Hardware List	
Part	Quantity
Fireplace	1
Instruction Manual	1
Remote Control	1
CR2032 Battery	1
Wall Mounting Bracket	1
Masonry Anchor	4
Screw ST5 x 40	4
Bolt M4 x 8	2
Bolt M5 x 10	2
White Stones	1
Clear Resin Faux Stones	1
3/16 Toggle Bolt Anchors	4

B. Tools and Supplies Needed

Before beginning the installation be sure that the following tools and building supplies are available.

- Tape measure
- Pliers
- Hammer
- Gloves
- Magnetic Phillips screwdriver
- Safety glasses
- Flat blade screwdriver
- Drill
- Masonry Drill 5/16 (applicable if installing on masonry walls)
- Drill Bit for 3/16 diameter toggle bolts (applicable if installing on drywall-sheathed walls)



C. Appliance

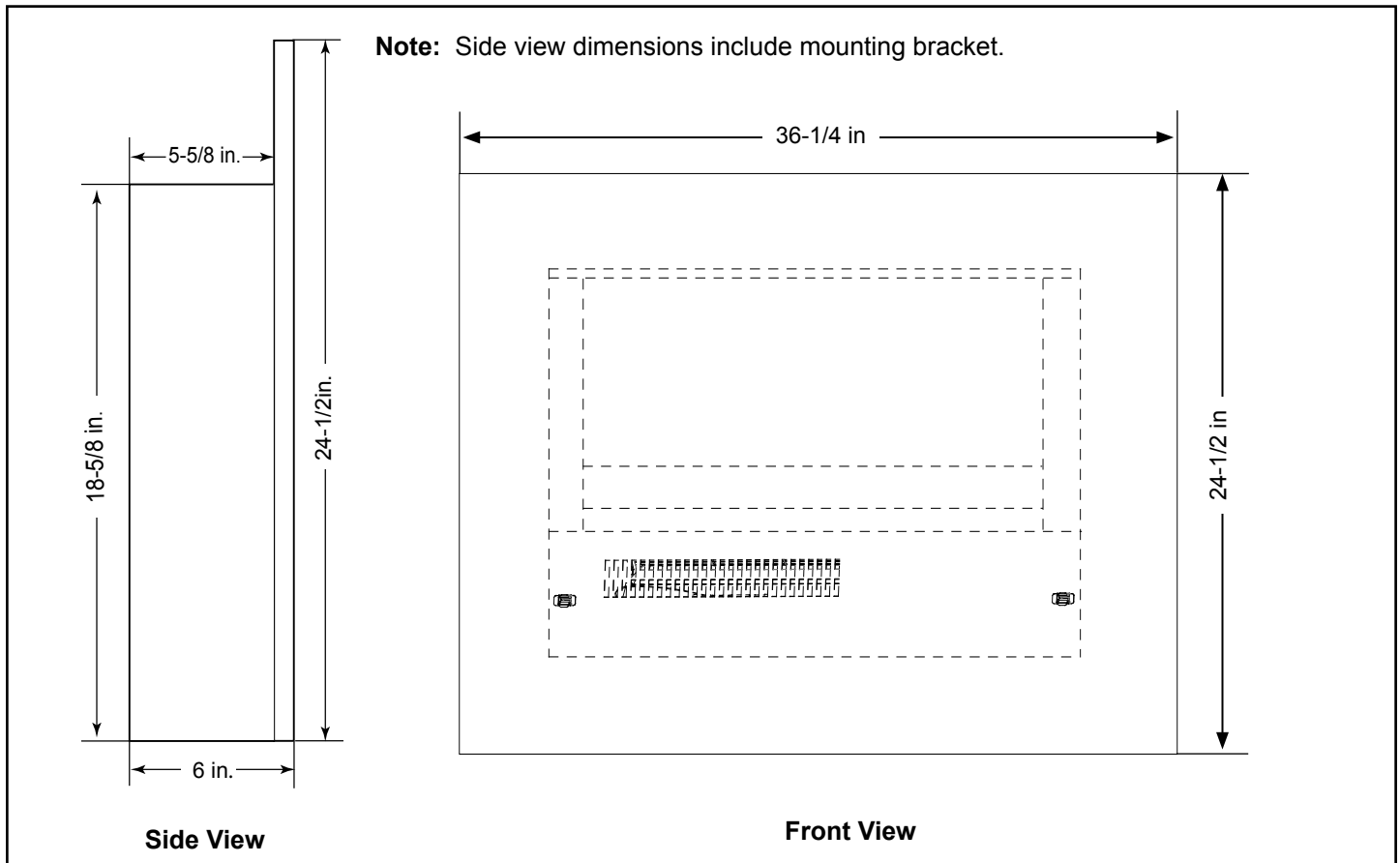


Figure 3.1 Appliance Dimensions

D. Location

When choosing a location for your fireplace ensure that the general rules are followed:

- For best results, install out of direct sunlight.
- Power supply service must be installed within proximity of electric fireplace prior to finishing to avoid reconstruction.

E. Clearance to Combustibles

Minimum Clearance to Combustible Construction

Sides.....	8 in.
Floor.....	13 3/4 in.
Top.....	8 in.
Back.....	0 in.
Front.....	36 in.

See Figure 3.2.

WARNING! Risk of Fire! Keep electrical cords, drapery, furnishings or other combustibles at least 3 ft. (0.9 m) from the front of the electric fireplace, and away from the sides or rear.

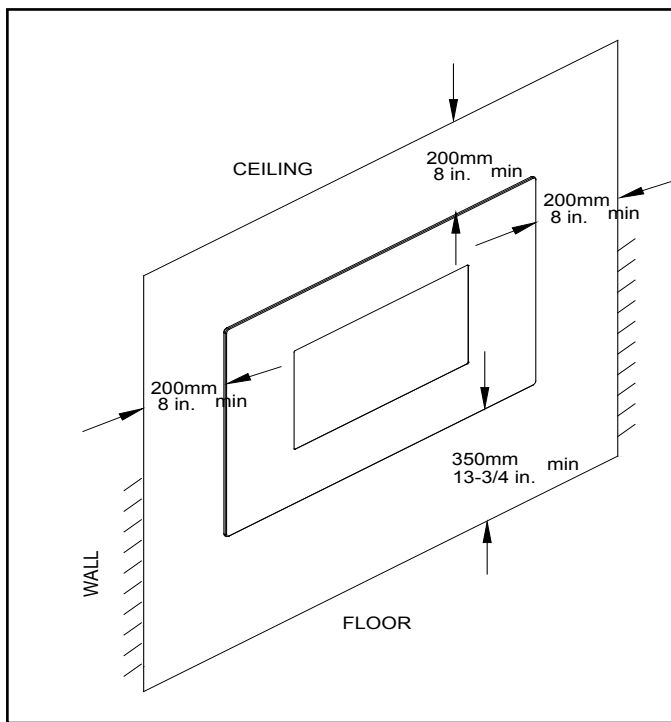


Figure 3.2 Clearance to Combustibles

F. Electrical Supply Circuit Requirements

Plan the location of the appliance so that it will have adequate electric power. A 15 AMP, 120V/60hz. circuit is required. Additional appliances on the same circuit as this heater may exceed the current rating of that circuit. A dedicated circuit is not required, but is preferred to prevent circuit breaker trips or fuse failure.

Note: Access to electrical outlet must be maintained.

4 INSTALLATION

WARNING! Risk of Damage or Personal Injury! Failure to install the fireplace as instructed below may result in damage to the equipment and or may expose the user to the risk of fire, serious injury, illness or death.

A. Wall Mounting Bracket

The wall mounting bracket must be used to mount the appliance. This appliance must be mounted to a structural wall capable of bearing an 40 pound load.

Determine the desired location of the appliance on the wall. Place the wall mounting bracket in the desired location. Ensure that the bracket is level. Mark four locations on the wall that correspond to the four required anchor points in the bracket. See Figure 4.1.

Orientate the bracket so that its mounting hooks are pointing up as shown in Figure 4.3 and 4.7. Fasten the bracket to the wall. The bracket installation method varies depending on the wall construction (See Section B).

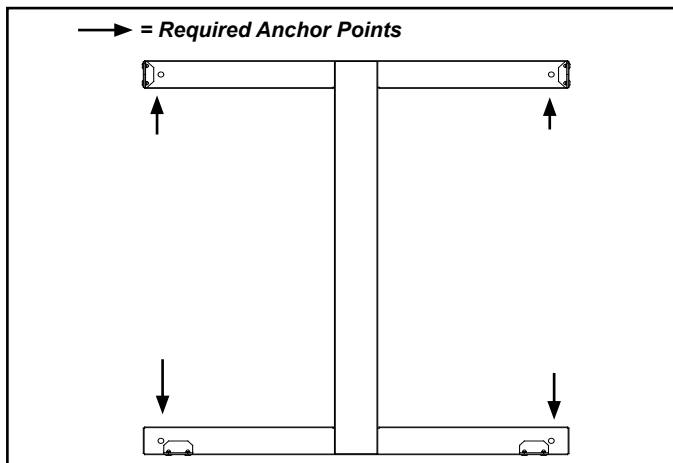


Figure 4.1 Mounting Bracket

B. Installing Wall Mount Bracket

The wall mounting bracket can be installed on masonry walls such as those constructed of brick or concrete, or to framed walls constructed of wood or steel framing sheathed with gypsum drywall, wood, etc. The method used to mount the mounting bracket is different between masonry walls and framed walls. Refer to the following sections for more detail on the method applicable to this installation.

Masonry Wall

In the marked locations, drill four 5/16 in. diameter x 2 in. deep holes. Insert the provided wall anchors into the holes. Gently tap the anchors with a hammer until they are flush with the wall surface. Attach the bracket to the wall anchors with six 5 x 40 screws. See Figure 4.2

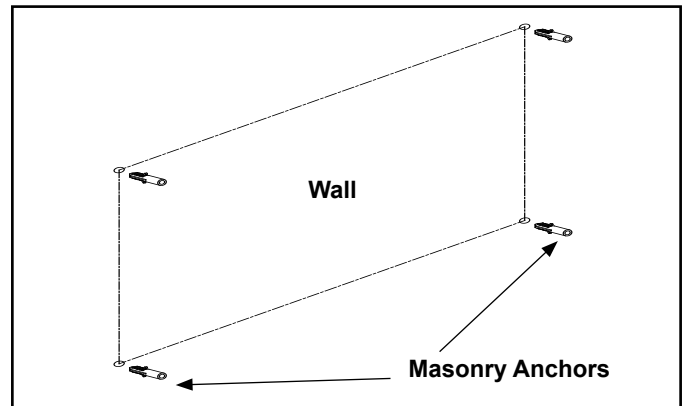


Figure 4.2 Masonry Anchor Placement

WARNING! Risk of Damage or Personal Injury! Do not use supplied masonry anchors on hollow walls, sheathed with wood, sheetrock, drywall or other materials.

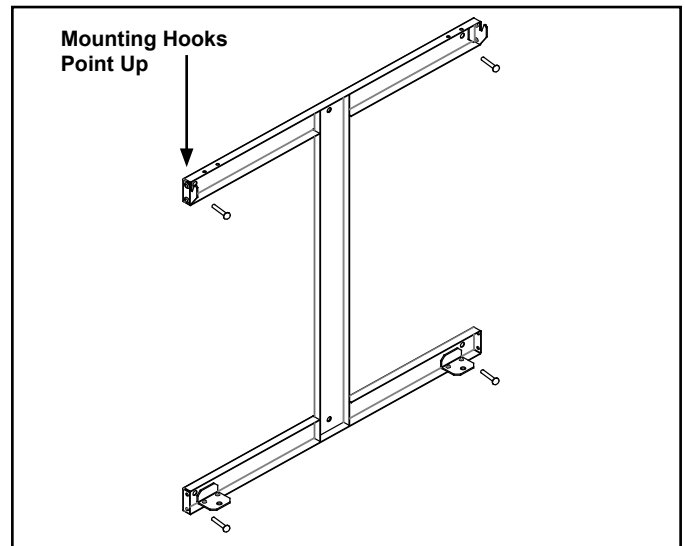


Figure 4.3 Bracket Attachment

Framed Wall

For each of the marked anchor point locations, determine if there is a structural framing member. If a wood or metal framing member exists, the 5 x 40 screw can be installed directly into that structural member. See Figure 4.3.

In every mounting hole that does not align with a structural framing member, a wall board toggle-bolt anchor must be used.



Figure 4.4 3/16 Toggle-Bolt Anchor

Four toggle-bolt anchors are provided to accommodate all four required anchor points. Use of toggle bolt anchors requires drywall thickness of minimum 1/2 in. The weight of this product requires a 3/16 in. diameter zinc-plated steel toggle bolt anchor and minimum of 1/2 in. thick drywall. To install, insert the bolt through the front side of the mounting bracket and thread the toggle onto it from the rear of the bracket (see Figure 4.5). Next, fold the toggle wings flush against the bolt and push them through a drilled hole until they expand open on the other side (see Figure 4.6). Pull back on the bolt and tighten. See Figure 4.6. Use a screwdriver to tighten bolt. This product cannot be installed on a wall sheathed with drywall less than 1/2 in. thick, unless all four anchor points in the mounting bracket align with a structural framing member.

WARNING! Risk of Damage or Personal Injury! Allowable pull-out and shear strength are 25% of ultimate values or less, as required by building authorities.



Figure 4.5 Toggle Bolt Installation through Mounting Bracket



Figure 4.6 Installing Anchors in Hollow Wall

C. Appliance Installation

1. Hang appliance on the mounting bracket. Align the slots on the back of the appliance with the hooks on the top two corners of the bracket. Hang the appliance and pull down to ensure the hooks are fully engaged. See Figure 4.7.
2. Secure the appliance to the bracket with two M5x10 screws. See Figure 4.7.

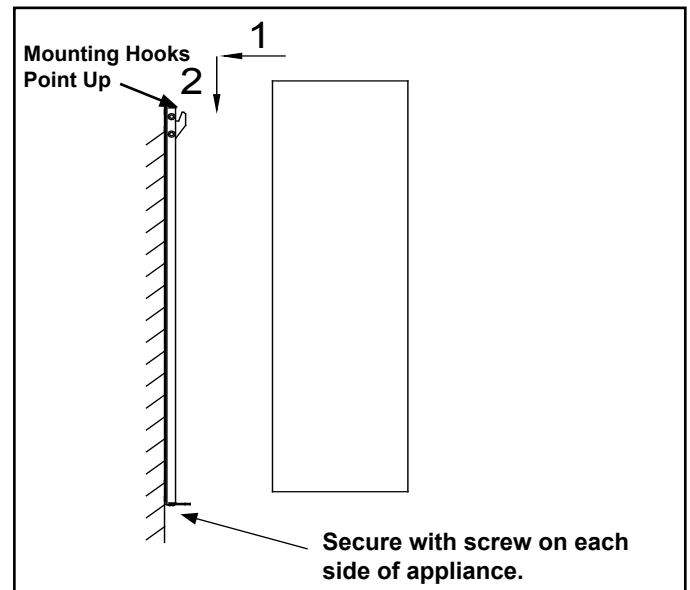


Figure 4.7 Attaching Fireplace to Bracket

D. Faux Stone Installation

Arrange the white and clear faux stones along the inset window ledge at the front of the firebox. Place clear resin pebbles over LEDs and fill remaining gaps with white stones.

E. Glass Front Installation

1. Install glass front as shown in Figure 4.5. Engage tabs on rear face of glass with the slots in the top of the appliance. Once both tabs engage, press firmly against the bottom face of the glass panel to engage the bottom connectors.
2. Secure the glass front to the appliance with two provided M4x8 screw through the two glass front mounting brackets on the top of the appliance. See Figure 4.5.

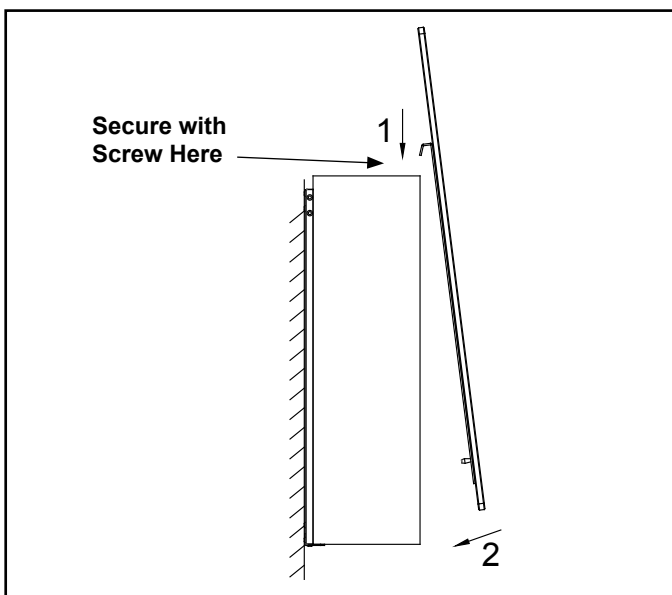


Figure 4.5 Attaching Fireplace to Bracket

F. Electrical Connection

WARNING! Risk of Fire, Electrical Shock and Injury. Electrical wiring must comply with local building codes and other applicable regulations.

A 15 AMP, 120 Volt, 60 Hz. circuit with a properly grounded outlet is required. The unit comes with a 6 ft. (1829 mm) long three wire 16AWG IEC-320 power cord. Plug in the IEC connector to the rear upper corner of the appliance then connect the cord to the wall socket.

The fireplace power cord has a three pin NEMA-5-15P plug (Figure 3.3A). An adapter must be used for connecting to a two-slot receptacle (Figure 3.3C). The green grounding wire extending from the adapter must be connected to a permanent ground such as a properly grounded outlet box. The adapter should not be used if a three slot grounded receptacle is available.

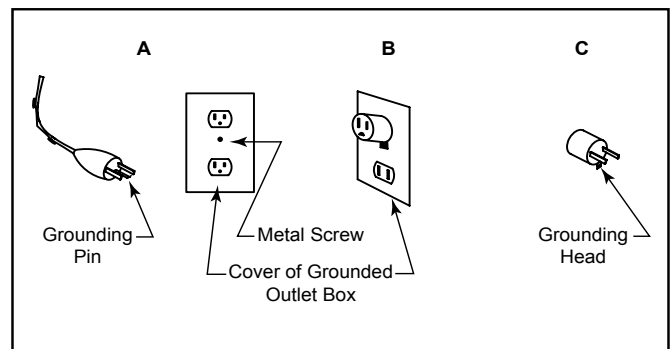


Figure 3.3 Cord Electrical Connection

WARNING! Risk of Fire! Do not plug in or operate this product with hot air vents touching the ground. Always hang on wall with supplied bracket before use.

WARNING! Risk of Fire, Electrical Shock, and Injury. Ensure the power cord is not installed so that it is pinched or against a sharp edge and ensure that the power cord is stored or secure to avoid tripping and snagging.

5 OPERATING INSTRUCTIONS

CAUTION! The unit's power cord must be connected to a properly grounded and protected 120V outlet. Always use ground fault protection where required by the electrical code.

WARNING! Risk of Electric Shock! Do not operate the unit if it is damaged or has malfunctioned. If you suspect the unit is damaged, call a qualified service technician to inspect and replace any part of the electrical system if necessary.

A. Manual Switch Function:

The appliance can be operated by both remote control and manual button. Once the unit has been connected to a grounded electrical outlet, turn on the main power switch located on the right side of the appliance. A beep should be heard when the power is first applied. See Figure 5.1.

Main Power Switch

The POWER switch supplies power to all functions of the fireplace. This switch must be in the "ON" position for any of the functions including the remote.

Note: To use both remote and manual function, the main power switch must in "ON" position.

Flame Button

By pressing the FLAME button, the unit will cycle through four flame effects.

Heater Button

- Press the heater button once to turn 750W power on. Appliance will beep and illuminate 1 red LED.
- Press again turns 1500W power on. Appliance will beep and illuminate 2 red LEDs.
- Press third time turns heater off.

Note: A harmless slight brief odor may occur during first use or after prolonged period of storage.

Thermal Control Knob

The knob is marked with numbers to indicate the maximum and minimum temperature positions. Start with setting 9, and to decrease the temperature, turn knob to lower settings. To increase the temperature, turn knob to a higher setting.

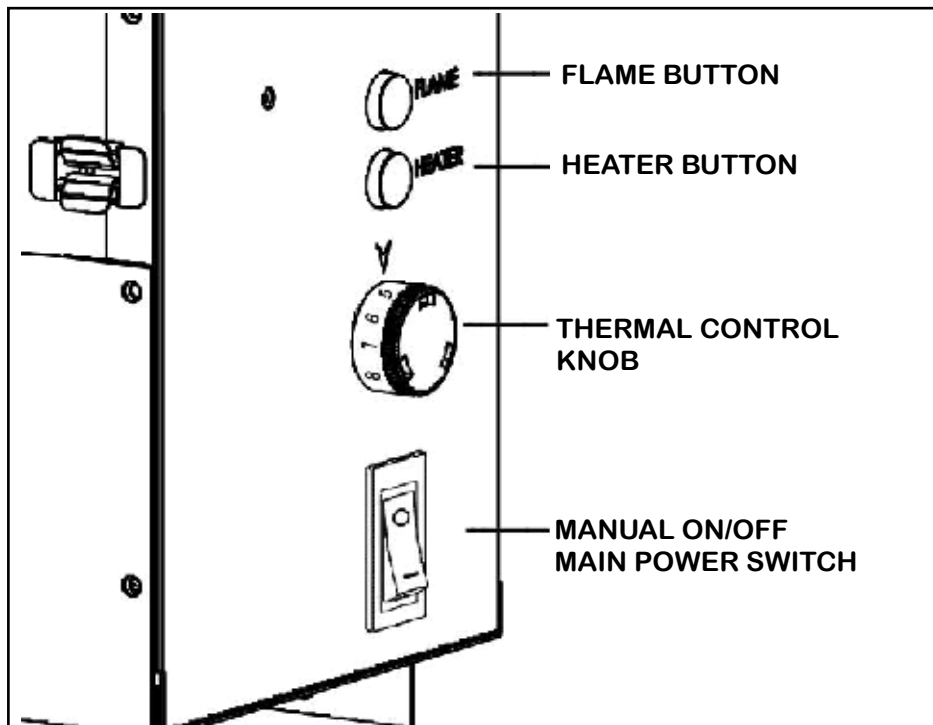


Figure 5.1 Manual Operating Switches

B. Operating by Remote Control

- The fireplace Main Power Switch must be in the “ON” position for the remote control to function.
- Make sure batteries are properly installed in Remote Control.
 - Battery requirements CR2032 battery (included).
- The effective range of the remote is up to 13 ft.
- The remote control must be within the 13 ft. range and also be pointed directly at the face of the appliance. For best results, position the remote control within 45 degrees of the face of the appliance

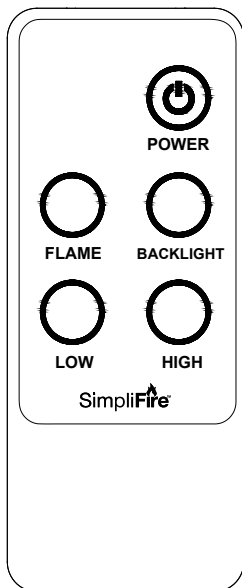
C. Resetting Temperature Cutoff Switch

The heater is protected with a safety device to prevent overheating. Should the heater overheat, an automatic cutoff will turn the heater OFF. It will not turn ON automatically without being reset. If it overheats for any reason, it can be reset by:

1. Turn fireplace to off
2. Unplug unit and wait 5 minutes
3. Plug in and turn on.

CAUTION: *If appliance overheats repeatedly, discontinue use and call your dealer.*

CAUTION: *If you need to continuously reset the heater, unplug the appliance and call your dealer.*



TITLE	FUNCTION
POWER	The POWER button will turn the fireplace on. It will also put the fireplace in a standby mode. This will turn off all functions at once but will hold the settings in memory except Heater function. The unit will turn on at the same settings by pressing the power button again.
FLAME	By pressing the FLAME button, the unit will cycle through three flame effects.
BACKLIGHT	Pressing the button turns the firebox backlight through three lighting effects.
LOW	Press once to turn heater on low. Press again to turn heater off.
HIGH	Press once to turn heater on high. Press again to turn heater off.

6 MAINTENANCE

A. Maintenance

WARNING! Risk of Shock! Always unplug the cord before moving or servicing. Do not immerse heater in water.

- Always turn OFF the heater and disconnect the cord from the electrical outlet before cleaning your heater.
- Light accumulated dust may be removed from the appliance exterior with a soft cloth or vacuum cleaner.
- Wipe the exterior surfaces of the heater occasionally with a microfiber cloth using a solution of mild detergent and water. Dry thoroughly before operating the heater.

CAUTION! Do not allow water to run into the interior of the heater as this could create a fire or electric shock. Always unplug the cord before moving or servicing.

- The fan motor is factory lubricated for life and will not require further lubrication.
- Store heater in a clean dry place when not in use.

WARNING! Risk of Fire! To reduce risk of fire, do not store or use gasoline or any other flammable vapors or liquids in the vicinity of the heater.

WARNING! Risk of Electrical Shock! Any other servicing needed must be performed by an authorized service representative. Do not attempt to service the unit yourself.

B. Cleaning

Cleaning Glass

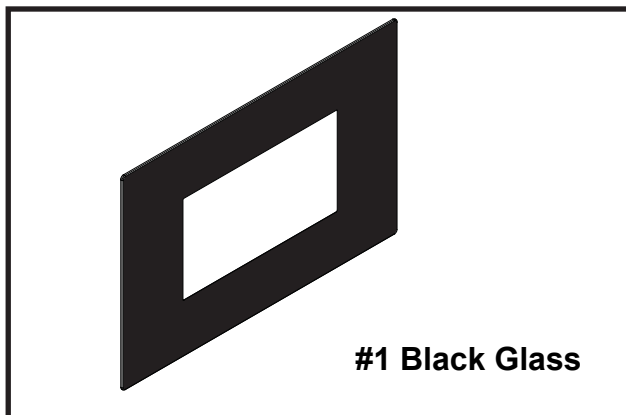
Dust particles can be removed by buffing lightly with a clean dry cloth. Fingerprints and other marks can be cleaned with a cloth dampened with a quality household glass cleaner. The glass should be completely dried with a lint free cloth or paper towel. Do not use abrasive cleaners on glass surface. Do not spray liquids directly onto any surface.

Metal Surface

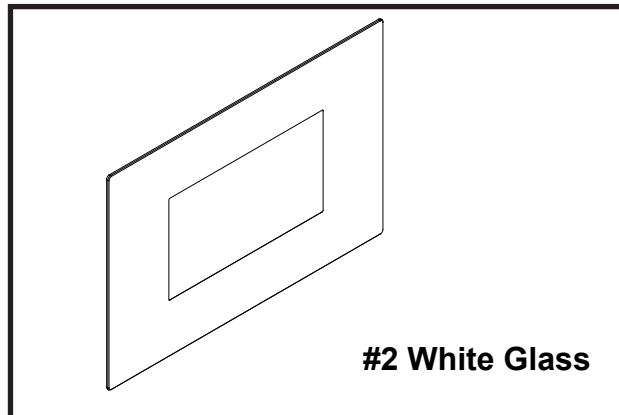
Dust particles can be removed by buffing lightly with a clean dry cloth. A damp cloth can be used to clean painted surfaces. Do not use abrasive cleaners. Do not spray liquids directly on to any surface.

C. Servicing

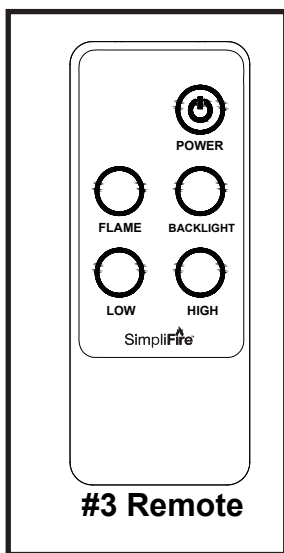
Except for installation and cleaning described in this manual, an authorized service representative should perform any other servicing.



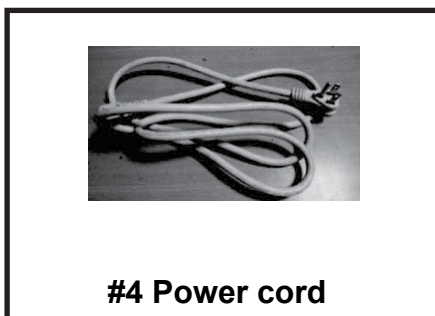
#1 Black Glass



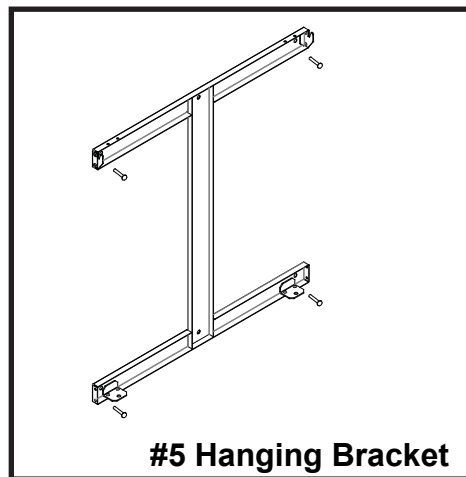
#2 White Glass



#3 Remote



#4 Power cord



#5 Hanging Bracket

IMPORTANT: THIS IS DATED INFORMATION. When requesting service or replacement parts for your appliance please provide model number and serial number. All parts listed in this manual may be ordered from an authorized dealer.



Stocked at Depot

ITEM	DESCRIPTION	COMMENTS	PART NUMBER	
1	Black Glass		GLA-WM36-BK	Y
2	White Glass		GLA-WM36-WH	Y
3	Remote		WM58-REMOTE	Y
4	Power Cord		CORD-WM36	Y
5	Hanging Bracket		BRACKET-WM36	Y
	Rock Kit, Contains both White and Clear Rock		ROCKS-WM58/26	Y
	Hardware Bag		HRDW-WM	Y
	Includes: Masonry Anchors, Screw (ST5 x 40), Bolt (M4 x 8), Bolt (M5 x 10), 3/16 Toggle anchor			
	Installation Manual		2040-902	

D. Replacement Instructions

WARNING! Risk of Shock! Always unplug the cord before moving or servicing.

Power Input Cord Replacement

1. Switch the main switch control on the lower right corner of the appliance to the OFF position.
2. Unplug the power input cord from the wall receptacle.
3. Locate power input cord connection located on the lower right corner of the appliance.
4. Remove one screw and metal strain relief bracket. See Figure 6.1.
5. Unplug cord from appliance.
6. Install new cord on appliance and installed metal strain relief bracket with one screw. See Figure 6.1.
7. Plug cord into wall receptacle.



Figure 6.1 Power Input Cord and Strain Relief Bracket on Lower Right of Appliance

