



## High Definition Digital Set Top Box with DAB+ Receiver

---



INSTRUCTION MANUAL

**DFTA52DAB**

---

**The Gold Technical Support Line: 1902 215 259**

*(Charges will apply at \$2.95 per minute)*

## Introduction

Thank you for buying this Bush product, which is designed to give you many years of trouble-free service.

You may already be familiar with using a similar unit, but please take time to read these instructions. They are designed to familiarise you with the unit's many features and to ensure you get the very best from your purchase.

### **Safety is important**

Your safety and the safety of others is important.

Please therefore, ensure you read the "Safety Instructions" **before** you operate this unit.

### **Warranty**

In the unlikely event that your product fails to work normally, please call the below Bush warranty number for support.

#### **Australia**

**Bush Warranty: 1800 509 394**

#### **New Zealand**

**Bush Warranty: 0800 450 259**

## Table of Contents

Introduction.....	1
Table of Contents.....	2-3
Safety Instructions.....	4
About the Set Top Box.....	5
Front Panel and Rear Panel.....	6
Front Panel .....	6
Rear Panel.....	6
Remote Control.....	7
Installing the Batteries.....	8
Connecting to Equipments.....	9-11
First Time Installation.....	12
Basic Operation of DVB.....	13-14
DVB Main Menu.....	15
Program Edit.....	16
Live TV & Electronic Program Guide.....	17
Setting for DVB.....	18
Installation (Auto Scan).....	18
Installation (Manual Scan).....	18
System Setup for DVB.....	19
A/V Output Setting.....	19
Local Time Setting.....	19
Timer Setup (Add TV/Radio Timer).....	19
Timer Setup (TV/Radio Timer).....	20
System Information.....	20
Factory Default.....	21
User Preferences for DVB.....	21
OSD Language.....	21
OSD Transparency.....	21
CH Info Bar Time Out.....	21

## Table of Contents

User Preferences for DVB.....	22
Volume Bar Time Out.....	22
Parental Control.....	22-23
DAB Main Menu.....	24
Operation of DAB.....	25-26
Operatoin of FM.....	27
Trouble Shooting.....	28
Technical Specification.....	29
Warranty.....	30

# Safety Instructions

- Please read the safety instructions carefully
- Please keep this instruction manual for future reference
- Please keep this Set Top Box away from humid conditions
- Place this Set Top Box on a reliable flat surface before setting it up
- Do not place it on soft furnishings
- If any of the following situations arise, contact the Bush Service and Warranty technicians:
  - If the Set Top Box has been exposed to any liquids or moisture
  - If the Set Top Box has been damaged in any way
  - If the Set Top Box is not working as per the instructions in this instruction manual.

## Warning

- To prevent the risk of electric shock, do not open the cabinet cover or any sealed sections of the Set Top Box.
- Do not block any ventilation holes of the Set Top Box, as this may cause it to overheat. Leave appropriate gap above and around the unit to allow for adequate ventilation.
- Do not place the Set Top Box in an unventilated cabinet or on top of any units which may emit heat.

## Copyright Statement

No part of this publication may be reproduced in any form by any means without the prior written permission. Other trademarks or brand names mentioned herein are trademarks or registered trademarks of their respective companies.


## Disclaimer

Information in this document is subject to change without notice. The manufacturer does not make any representations or warranties (implied or otherwise) regarding the accuracy and completeness of this document and shall in no event be liable for any loss of profit or any commercial damage, including but not limited to special, incidental, consequential, or other damage.



This symbol indicates that this product incorporates double insulation between hazardous mains voltage and user accessible parts. When servicing use only identical replacement parts.

**WARNING:** To reduce the risk of fire or electric shock, do not expose this Set Top Box to any liquids including water or cleaning agents.

 <b>Warning</b>	<ul style="list-style-type: none"><li>• DO NOT EXPOSE THE SET TOP BOX TO WATER, RAIN OR MOISTURE.</li><li>• STOP OPERATION IMMEDIATELY IF YOUR PRODUCT EMITS SMOKE, EXCESSIVE HEAT, ABNORMAL SMELL OR UNUSUAL NOISE. THESE CONDITIONS CAN CAUSE FIRE OR ELECTRIC SHOCK. IMMEDIATELY TURN THE PRODUCT OFF AND UNPLUG THE POWER PLUG.</li><li>• UNPLUG THE POWER PLUG IF YOU DO NOT PLAN TO USE THE SET TOP BOX FOR A LONG TIME.</li><li>• DO NOT PLACE SET TOP BOX NEAR OBJECTS FILLED WITH LIQUIDS, SUCH AS VASES, FISH TANKS ETC.</li><li>• DO NOT PLACE YOUR SET TOP BOX IN THE BATHROOM OR KITCHEN.</li><li>• DO NOT TOUCH OR TURN OFF THE MAIN POWER / PLUG WITH WET HANDS.</li><li>• TURN OFF MAIN POWER AND UNPLUG SET TOP BOX BEFORE CLEANING.</li></ul>
---	---

## About the Set-Top-Box

This High Definition Digital Set Top Box with DAB+ Set Top Box allows you to access all High Definition Digital TV channels and DAB+ Digital Radio stations. Its digital reception covers VHF & UHF bands. Digital TV eliminates noise and interference and offers high quality video and audio.

An easy to use on-screen installation guide is provided. In addition, a fully featured remote control is included that offers you access to every feature with a simple press of a button.

### Main Features:

- Full compliance with the Australian DVB-T standard
- Receives all High Definition Digital Free to Air Channels
- Integrated DAB+ and FM Tuner
- 7 Day Electronic Program Guide
- Teletext
- USB Input for Software Upgrades
- RF In/Loop Through
- Component & Composite Video Output
- Digital Audio via S/PDIF Output
- VGA Output to connect to a PC Monitor
- HDMI Output: 576p, 720p, 1080i
- Parental Lock
- Automatic/Manual Channel Search
- Full function remote control
- DAB+ Scrolling Text Information which will display on your TV Screen
- More DAB+ Stations than ever before
- Crystal Clear Sound and Reception
- View Stations by Name

### Package Contents

Before installation, please check the items of the package. The package should contain the following items:

- |    |                                       |     |
|----|---------------------------------------|-----|
| 1. | Set Top Box                           | x 1 |
| 2. | Remote Control                        | x 1 |
| 3. | “AAA” size Battery for remote control | x 1 |
| 4. | Instruction Manual                    | x 1 |
| 5. | AV Cable                              | x 1 |

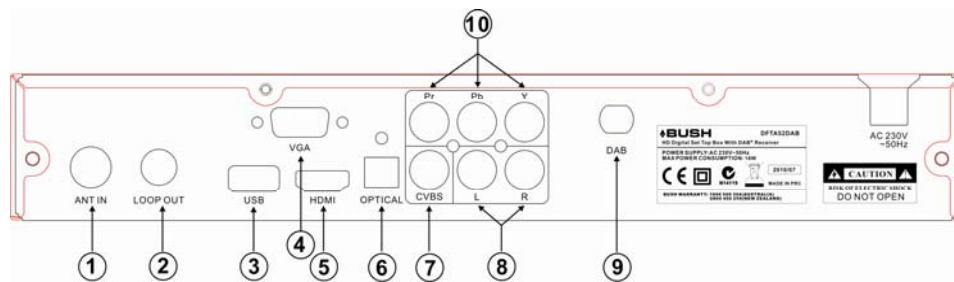
# Front Panel and Back Panel

## Front Panel



1. **POWER Button:** Press the Power Button to switch the unit on or off.
2. **MENU Button:** Press the Menu Button to enter the Main Menu.
3. **OK Button:** Press the OK button to confirm and menu or setting selections.
4. **▲,▼Button:** Press the Up and Down Buttons to scroll through the channels and settings.
5. **◀,▶ Button:** Press the Left and Right Buttons to change the volume level.

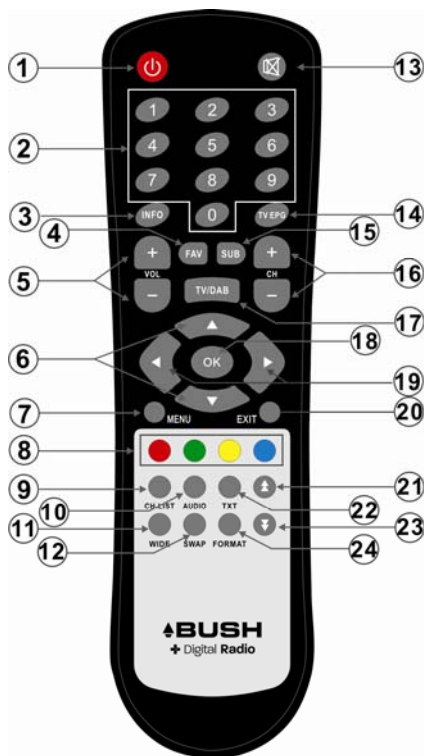
## Back Panel



1. **ANT IN:** Ant In is where you connect your TV Antenna
2. **LOOP OUT:** The Loop Out allows you to connect your aerial through your other home entertainment units.
3. **USB Input:** The USB Input enables you to upgrade the software when required.
4. **VGA Input:** The VGA Input allows you to connect your Set Top Box to your PC.
5. **HDMI Input:** The HDMI Input allows you to connect your HDMI Cable for greater definition.
6. **Optical Output:** The Optical Output allows you to connect the Set Top Box to your surround sound system.
7. **CVBS Input:** CVBS Output allows you to connect to your TV
8. **Audio (L/R) Outputs:** The Audio Output connects the audio from the Set Top Box to your TV.
9. **DAB+ Antenna Input:** The DAB+ Antenna Input is where you will connect your DAB+ aerial provided.
10. **YPbPr:** This is your component connection for you to connect the Set Top to your TV.

## Remote Control

1. **Power Button:** Press the Power Button to switch the TV on or off.
2. **Numeric Buttons:** Press the Numeric Buttons to select a channel or select a page in the Teletext.
3. **INFO Button:** Press the INFO Button to view the program information of what you are watching.
4. **FAV Button:** Press the FAV Button to display the Favourite Menu in DTV mode.
5. **VOL+/- Button:** Press the VOL+/- Button to increase or decrease the volume level.
6. **▲,▼ Button:** Press the Up and Down Buttons to scroll through the channel list.
7. **Menu Button:** Press the Menu to view the Main Menu.
8. **Red Button, Green Button, Yellow Button and Blue Button:** Press the Red, Green, Yellow and Blue Button to show corresponding subject in the Teletext Menu.
9. **CH.LIST Button:** Press the Channel List Button to show the channel list.
10. **Audio Button:** Press the Audio Button to change the Audio settings.
11. **Wide Button:** Press the Wide Button to scroll through and select the picture size.
12. **Swap Button:** Press the Swap Button to return to the previous program you were watching.
13. **Mute Button:** Press the Mute Button to turn off and on the sound, only.
14. **TV EPG Button:** Press the EPG Button to display the DTV 7 Day Electronic Program Guide.
15. **Subtitle Button:** Press the Subtitle Button to scroll through and select the subtitle
16. **CH+/- Button:** Press the Channel List Button to show the channel list.
17. **TV/DAB+ Button:** Press the TV/DAB+ Button to switch between TV, DAB+ and FM modes.
18. **OK Button:** Press the OK Button to confirm settings
19. **◀,▶ Navigation Button:** Press the Left or Right arrows to scroll up through the Menus.
20. **EXIT Button:** Press the Exit Button to exit Menu settings.
21. **▲ Button:** Press the ▲ Button to scroll page.
22. **TXT Button:** Press the TXT Button to enter the Teletext Menu.
23. **▼ Button:** Press the ▼ Button to scroll page.
24. **Format Button:** Press the Format Button to switch between the different resolutions (1080i, 720P and 576P).

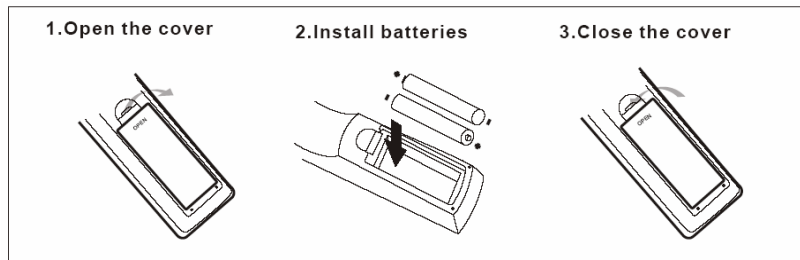




## Installing the Batteries

Remove the battery cover from the remote control and put two AAA size batteries inside the compartment.

The diagram below shows the correct way to install the batteries.



### Caution:

1. Keep the batteries out of the reach of children.
2. Don't attempt to recharge, short-circuit, disassemble, heat up or throw batteries into a fire.
3. Always replace both batteries at the same time. Never mix new and old batteries or batteries of a different type.
4. If you don't intend to use the remote control for an extended period, remove the batteries to prevent possible leakage and corrosion.

### Notes:

1. Do not drop, shake or step on the remote control.
2. Do not spill water on the remote control.
3. Aim the remote control directly at the remote sensor, for best use.
4. If the Set Top Box does not operate when operating the remote control from a close range, you need to replace the batteries.

# Connecting to Equipments

## How to get good reception

- You do not need to change or replace your existing TV Antenna to receive digital reception. However if your antenna is not in good condition it is recommended that you consider replacing it to ensure uninterrupted digital television viewing.
- Viewers in areas of poor analog reception may need specialists' advice about antenna requirements for digital reception in their area.
- It's recommended that viewers use quad shielded cable from the antenna to the television.

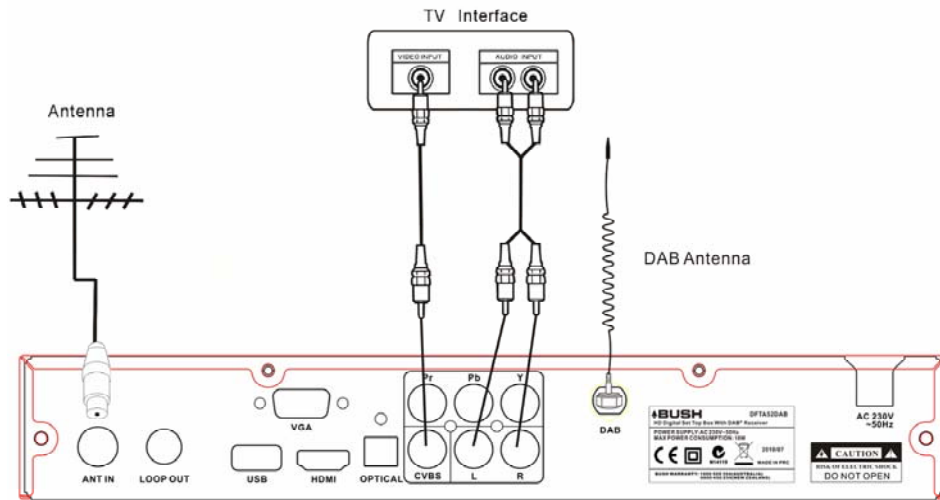
## Connecting to your TV

There are several ways of connecting your Set Top Box to your TV and Hi-Fi System. For High Definition viewing your TV must support either; 576p, 720p, 1080i resolution. Also the connection between the Set Top Box and TV must be YPbPr Component, VGA, or HDMI. Other connection will provide standard definition viewing.

## Warning

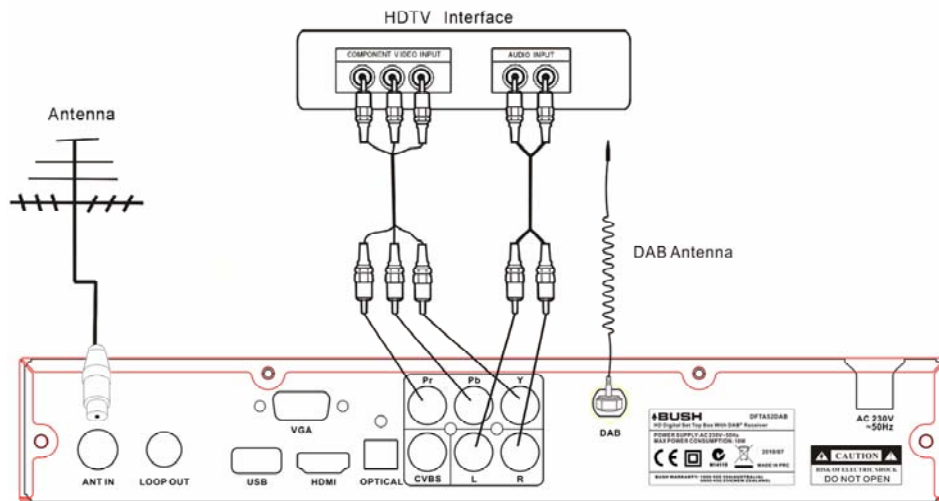
Please switch off the mains power before plugging or unplugging connection cables, otherwise, it may damage the receiver.

## Connect your Set Top Box via Composite Connection (Video/S-Video and Audio)

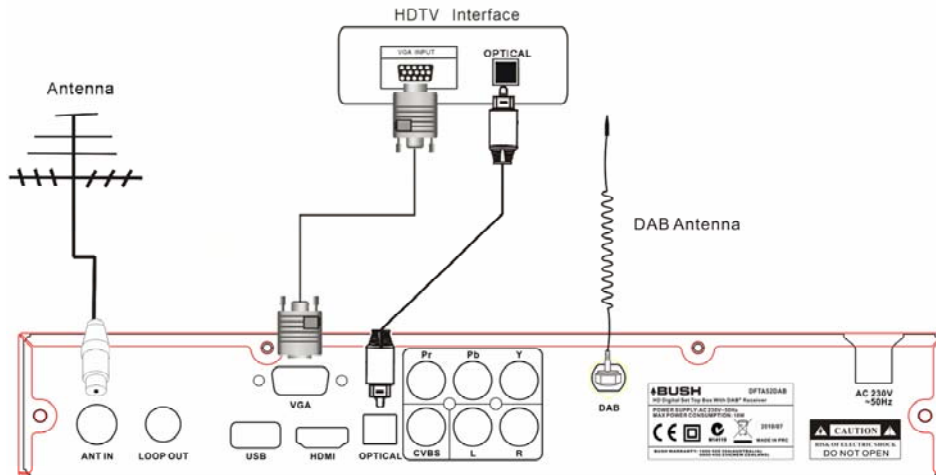


# Connecting to Equipments

Connect your Set Top Box via Component (YPbPr Output and Audio Output)

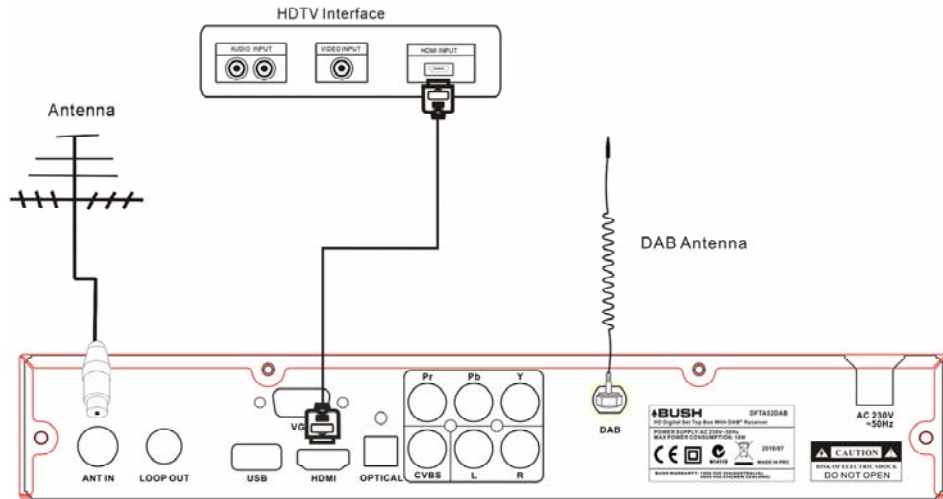


Connect your Set Top Box via VGA Output and Audio Output

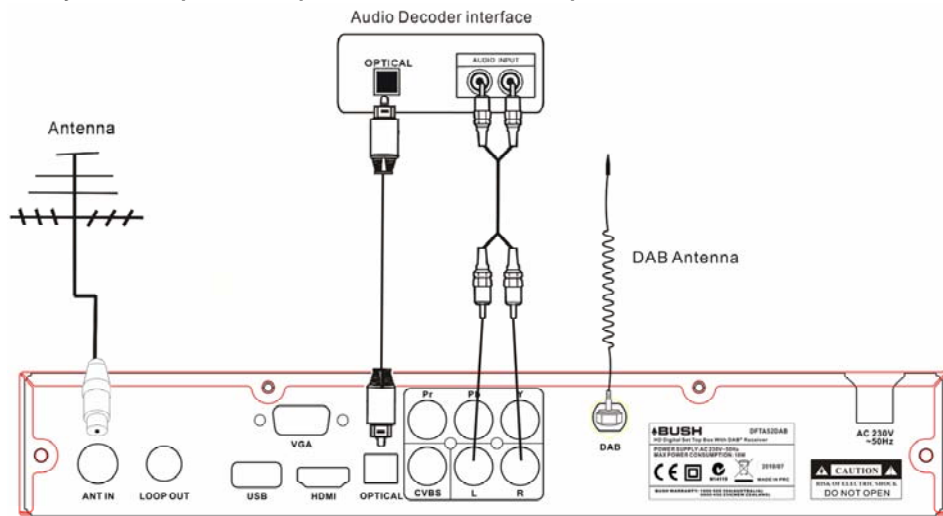


# Connecting to Equipments

## Connect your Set Top Box via HDMI Output



## Connect your Set Top Box via Optical/Mixed Audio L/R Output



## First Time Installation

Note: Be sure to turn on the main power at the front of your Set Top Box before operating.

After all the connections have been made, turn on your TV. Make sure that the Set Top Box is connected to the main power and switched on. If you are using the Set Top Box for the first time or have conducted a factory reset, a **First Time Installation** guide will be displayed to assist you in setting up your Set Top Box correctly. Follow the prompts as requested.



The First Installation Guide will begin to conduct a station scan automatically. When scanning has finished, all active channels will be stored automatically. The last found channel will begin to play. If you wish to stop scanning, Press the **EXIT** Button and you will exit and stop the initial scan. The channels already found will be stored.

If you accidentally skip the **First Time Installation** screen, you can Press the **MENU** Button to select the Main Menu and refer to page 14 for operation guide.

## Basic Operations of DVB

### Changing Channels

1. Press the **NUMERIC** Buttons (0~9) on the remote control to select the channel number you wish to watch.
2. Press the **▲**, **▼** Buttons on the remote control or the front panel to scroll through the available channels.
3. Press the **SWAP** Button to select the previous channel played.

### Volume Control

Press the **◀**, **▶** Buttons on the remote control or on the front panel to adjust the volume. The following volume bar will appear on your screen.



### Mute

1. Press the **MUTE** Button to turn off the sound completely.
2. Press again to turn the sound back on or press the **◀▶** Buttons.

### Changing the Audio Language or Audio Mode

1. Press the **AUDIO** Button on the remote control to select the Audio Control Menu.
2. Press the **◀**, **▶**, **▲**, **▼** and **OK** Buttons to select the audio language you wish to set.
3. Press the **EXIT** Button to exit the menu.

### Changing Screen Aspect

Press the **WIDE** Button to switch between screen aspect modes, including Normal, Letter-box and Panscan).

### Changing Video Resolution

Press the **FORMAT** Button to set the video resolution mode to either; 1080i, 720P or 576P. NOTE: This Set Top Box is default set to 1080i.

### Changing TV/DAB+ mode

Press the **TV/DAB+** Button to switch from TV mode to DAB+ Mode and back again.

### FAV Program

1. Press the **FAV** Button to access your Favourite programs list.
2. To set your favourite program to the Fav list. Press Menu button to access Program Edit. Then press **RED** button to confirm.

## Basic Operations of DVB

### To view the program information

1. Press the **INFO** Button to view the detailed information of current program.
2. Press the **INFO/EXIT** to exit this information menu.

### Subtitles

Press the **SUB** Button to turn on or off the subtitles.

### Teletext Menu

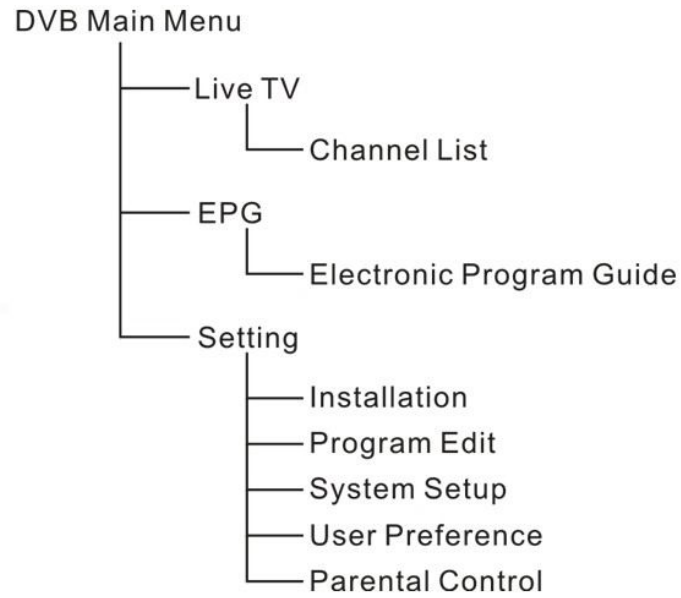
1. Press the **TXT** Button to open the Teletext Menu.
2. Press the **EXIT** Button to close the Teletext Menu.

### To view the program signal information

1. Press the **INFO** Button to view the signal level and quality of the current program.
2. Press the **EXIT** Button to exit.

# DVB Main Menu

## Set Top Box Menu Tree



This section guides you through all of the options in the Main Menu. The Main Menu is divided into 3 sections.

### Main Menu


1. Press the **MENU** Button to bring up the Main Menu or return to previous Menu.
2. Press the **▲▼** Buttons to move up/down the sub menu.
3. Press the **OK** Button to enter into the sub menu you select.
4. Press the **EXIT** Button to exit the menu.





# Program Edit

## TV Program Edit

1. Press the **MENU** Button and then select the **Setting** Sub-Menu and select **Program Edit**.
2. Press the **▲▼** Buttons to scroll through the options.
3. Press the **RED** Button to add a program to your favorites list. The FAV icon  will appear next to the program.
4. Press the **RED** Button again to cancel and the FAV icon will disappear.
5. Press the **EXIT** Button to exit all menus or press the **MENU** Button to return to the previous menu.



## Lock Program

1. Press the **MENU** Button and then select the **Setting** Sub-Menu and select **Program Edit**.
2. Press the **▲▼** Buttons to select the lock function.
3. Press the **Green** Button to enable the lock function.
4. Press the **▲▼** Buttons to select the program you wish to lock and press the **OK** Button to lock.

A lock icon  will appear next to the program.

5. Press the **OK** Button again and enter your PIN number or enter the default pin "0000" to cancel the operation. The lock icon will disappear.
6. Press the **EXIT** Button to exit all menus or press the **MENU** to return to the previous menu.



## Delete Program

1. Press the **MENU** Button and then select the **Setting** Sub-Menu and select **Program Edit**.
2. Press the **▲▼** Buttons to select the program you dislike, and Press the **Yellow** Button to delete this program.
3. Press the **OK** Button to confirm.
4. Press the **EXIT** Button to exit all menus.



## Rename

1. Press the **MENU** Button and then select the **Setting** Sub-Menu and select **Program Edit**.
2. Press the **▲▼** Buttons to select the program which want to rename.
3. Press the **Blue** Button to enable the Rename function.
4. A Button board will be displayed on the screen.
5. Press the **▲, ▼, ◀** and **▶** Buttons to select the letters and press the **GREEN** Button to delete any unwanted letters.
6. Press the **YELLOW** Button to save and quit.
7. Press the **EXIT** Button to exit all menus.



# Live TV & Electronic Program Guide (EPG)

## Live TV

1. Press the **Menu** Button to select the **Live TV** Menu and then select **Channel list** and **TV** option.
2. Press the **▲▼** Buttons to select the program you like.
3. Press the **EXIT** Button to exit all menus.

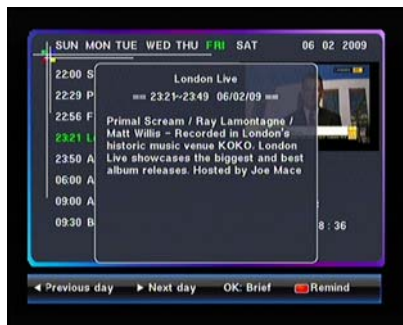


## EPG (Electronic Program Guide)

1. Press the **EPG** Button to view the EPG information.
2. Press the **▲▼** Buttons to view the event information such as event name and time.



3. Press the **OK** Button to view brief information of the current event.
4. Press the **BLUE** Button to view the detailed information of the current event.



5. Press the **◀▶** Buttons to view the event information of next day or previous day.
6. Press the **RED** Button to book a program reminder.

# Setting for DVB

## Installation

### Auto Scan

1. Press the **MENU** Button to select the Main Menu and then select **Settings, Installation** and then **DVB**.
2. Press the **RED** Button select and begin the Auto Scan for all new channels.
3. Press the **EXIT** Button if you wish to stop the Auto Scan.



### Manual Scan

1. Press the **MENU** Button to select the Main Menu and then select **Settings, Installation** and then **DVB**.
2. Press the **▲▼** Buttons to select the channels you wish to scan for specifically. Press the **▲▼** Buttons scroll through the channel list.
3. Press the **OK** Button to select the channel and press the **OK** Button again to cancel the selection. If the channel is selected "V" will appear next to the channel.
4. Repeat steps 2 & 3 to select other channels.
5. Press the **Blue** Button to start scanning the selected channels.
6. Press the **EXIT** Button, if you wish to stop the manual scan.



# System Setup of DVB

## A/V Output Settings

1. Press the **Menu** Button to enter the Main Menu and then select the **Setting, System Setup** and finally **A/V Output Setting**.
2. Press the **▲▼** Buttons to scroll through and select the required options of; Video Resolution, Display Aspect Ratio, Aspect Ratio, Conversion, Audio SPDIF, TTX Type and AV Settings.
3. Press the **EXIT** Button to exit all menus.

<b>Resolution supported</b>	<b>1080i, 720P, 576P</b>
<b>Widescreen support</b>	<b>Standard 4:3, Widescreen 16:9</b>
<b>Aspect Ratio</b>	<b>Normal, Pan &amp;Scan, Letter Box</b>
<b>Audio SPDIF</b>	<b>Auto, PCM, Compressed, Off</b>
<b>TTX Type</b>	<b>DSD,VBI</b>
<b>AV Setting</b>	<b>Ypbpr, VGA</b>

Note: Please switch the resolution to 720p when you use the VGA Output.

## Local Time Setting

1. Press the **Menu** Button to enter the Main Menu and then select the **Setting, System Setup** and then **Local Time Setting**.
2. Press the **▲▼** Buttons to select the Time Zone and Daylight Savings setting.
3. Press the **EXIT** Button to exit all menus or press the **MENU** Button to return to the previous menu.

## Timer Setup

### TV/Radio Timer

1. Press the **Menu** Button to enter the Main Menu and then select the **Setting, System Setup, Timer Setup** and **Add TV/Radio Timer**.
2. Press the **▲▼** Buttons to scroll through and select; Timer Control, Channel Mode, Channel No. and Start Time. Press the **OK** Button to enter submenu of selected option.
3. Press the **▲▼** Buttons to select the item that you want to set. Press the **OK** Button to confirm.
4. For the Start Time, press the **◀▶** Buttons to select day/month/year/hour/minute. Press the **▲▼** or Numeric Buttons to select the time you wish to set.
5. Press the **RED** Button to save the information.
6. Press the **EXIT** Button to exit all menus or press the **MENU** Button to return to the previous menu.



# System Setup of DVB

## TV/Radio Timer

1. Press the **Menu** Button to enter the Main Menu and then select the **Setting, System Setup, TV/Radio** and **Timer List**.
2. Press the **▲▼** Buttons to select the program.
3. Press the **GREEN** Button to mark the program, a check icon “√” will appear. Press the **GREEN** Button again to cancel this operation, the icon will disappear.
4. Press the **YELLOW** Button to delete the program.
5. Press the **EXIT** Button to exit all menus or press the **MENU** Button to return to the previous menu.

## System Information

1. Press the **Menu** Button to enter the Main Menu and then select the **Setting, System Setup** and then **System Information**.
2. Press the **OK** Button to view the software/hardware information of this Set Top Box.



# System Setup & User Preferences of DVB

## Factory Default

1. Press the **Menu** Button to enter the Main Menu and then select the **Setting, System Setup** and then **Factory Default**.

2. Press the **OK** Button and enter the correct the PIN code and press the **OK** Button again to confirm your selection, the factory default data will be loaded and begin to reset your Set Top Box Settings. All setting will be cleared.

**NOTE:** Factory default PIN is "0000".



## User Preferences

### OSD Language

Press the **Menu** Button to enter the Main Menu and then select the **Setting, User Preferences** and then **OSD Language**.

Note: Only English is supported for this Set Top Box.



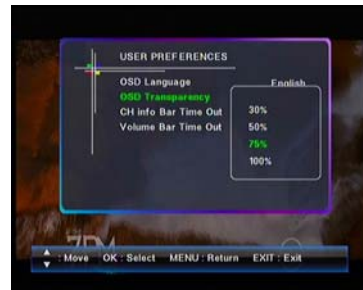
### OSD Transparency

1. Press the **Menu** Button to enter the Main Menu and then select the **Setting, User Preferences** and then **OSD Transparency**.

2. Press the **▲▼** Buttons to select the OSD Transparency option and press the **OK** Button to enter submenu.

3. Press the **▲▼** Buttons to select the transparency value that you desire (4 transparency modes are available: 30%, 50%, 75% and 100%). Press the **OK** Button to confirm.

4. Press the **EXIT** Button to exit all menus or press the **MENU** Button to return to the previous menu.



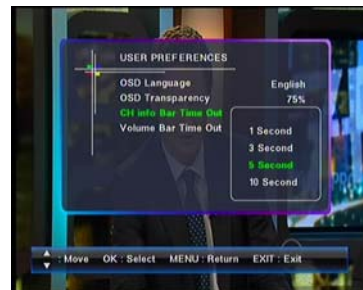
### CH Info Bar Time Out

1. Press the **Menu** Button to enter the Main Menu and then select the **Setting, User Preferences** and then **CH Info Bar Time Out**.

2. Press the **▲▼** Buttons to select the **CH Info Bar Time Out** option and press the **OK** Button to enter the submenu.

3. Press the **▲▼** Buttons to select the timeout that you desire (4 timeout modes are available: 1 second, 3 second, 5 second, 10 second) and press the **OK** Button to confirm.

4. Press the **EXIT** Button to exit all menus or press the **MENU** Button to return to the previous menu.



# User Preferences of DVB

## Volume Bar Time Out

1. Press the **Menu** Button to enter the Main Menu and then select the **Setting, User Preferences** and then **Volume Bar Time Out**.
2. Press the **▲▼** Buttons to select the **Volume Bar Time Out** option. Press the **OK** Button to enter the submenu.
3. Press the **▲▼** Buttons to select the timeout that you desire (4 timeout modes are available: 1 second, 3 second, 5 second, 10 second) and press the **OK** Button to confirm.
4. Press the **EXIT** Button to exit all menus or press the **MENU** to return to the previous menu.

## Parental Control

1. Press the **Menu** Button to enter the Main Menu and then select the **Setting** and then **Parental Control**.
2. Press the **OK** Button and enter the correct PIN code to enter the submenu.

## Parental Rating

There are up to 8 Parental Rating Levels available for parental control settings.

**ALL:** Means all programs are blocked

**G:** Will lock general programs

**PG:** Will lock Parental Guidance programs

**M15+:** Will lock Mature Audience 15+ programs

**MA:** Will lock Mature Adult Audience programs

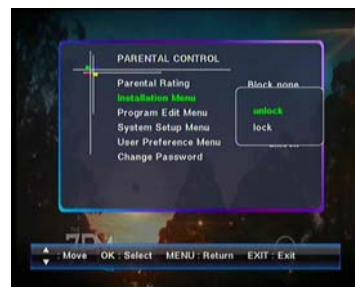
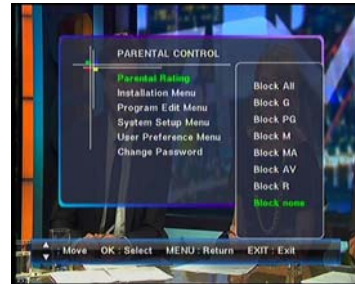
**AV:** Will lock Adult Audience - Strong Violence programs

**R:** Will lock Restricted programs

**None:** Will lock No programs.

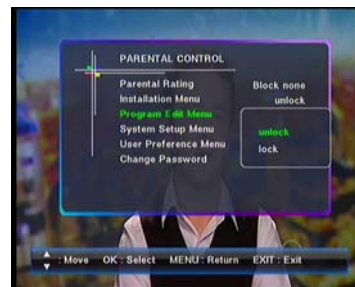
## 2. Installation Menu

In the parental control menu you are able to lock/unlock the Installation Menu.



## 3. Program Edit Menu

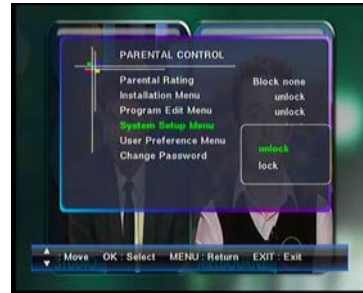
In the parental control menu you are able to lock/unlock the Channel Edit Menu



# User Preferences of DVB

## 4. System Setup Menu

In the parental control menu you are able to lock/unlock the System Setup Menu



## 5. User Preferences Menu

In the parental control menu you are able to lock/unlock the User Preference Menu.



## 6. Change Password

Select change password to modify the Set Top Boxes password. Follow the prompts of the pop-up menu.

**NOTE:** Factory default password is "0000".

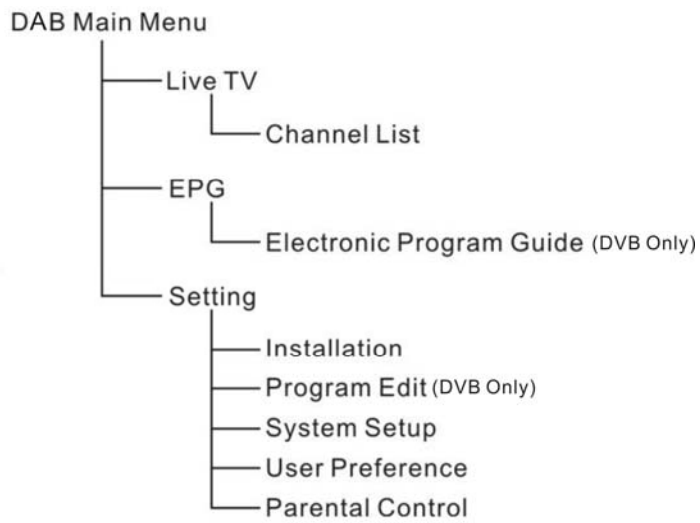
If you forgot your password, please the override code is 7710, this will unlock any password protected area.





# DAB+ Main Menu

## DAB+ Menu Tree



This section guides you through all of the options in the DAB+ Main Menu. The Main Menu is divided into 3 sections.

### DAB+ Main Menu

1. Press the **MENU** Button to bring up the Main Menu or return to previous Menu.
2. Press the ◀▶ Buttons to move up/down the submenu.
3. Press the **OK** Button to enter into the submenu you select.
4. Press the **EXIT** Button to exit the menu.



# Operations of DAB+

## Select DAB+ Function

1. Press the **TV/DAB** Button to switch to DAB+ Mode.
2. Press the **OK** Button to enter the DAB+ mode. Press the **▲▼** Buttons to select the station you desire.



## Channel Scan

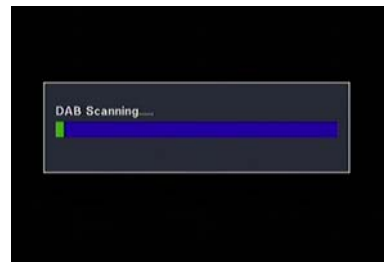
### Auto Scan

1. Press the **Menu** Button to enter the Main Menu and then select the **Setting, Installation** and then **DAB+**.
2. Press the **OK** Button to confirm.
3. Press the **RED** Button to starting scanning the station.



### Manual Scan

1. Press the **Menu** Button to enter the Main Menu and then select the **Setting, Installation** and then **DAB+**.
2. Press the **▲▼** Buttons to select the station you want to scan. Press the **▲▼** Buttons to scroll page up or down.
3. Press the **OK** Button to select the station. Press the **OK** Button again to cancel the selection. If the station is selected this mark "✓" will appear next to the station.
4. Repeat steps 2 & 3 to select other station.
5. Press the **BLUE** Button to start scanning the selected stations.
6. Press the **EXIT** Button if you want to stop the scan.



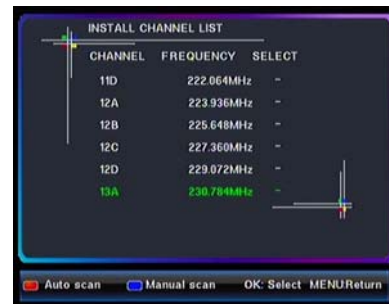
## Operations of DAB+

### Viewing Station List

1. Press the **Menu** Button to enter the Main Menu and then select the **Live TV, Channel list** and then **Radio**.
2. Press the **▲▼** Buttons to select the program you desired.
3. Press the **EXIT** Button to exit all menus.

### Program List

1. Press the **TV/DAB+** Button to select DAB+ mode.
2. Press the **OK** Button and the DAB+ List will be displayed.
3. Press the **▲▼** Buttons to select the program you desired.
4. Press the **◀▶** Buttons to adjust the volume.
3. Press the **EXIT** Button to exit all menus.



### Note:

1. EPG (Electronic Program Guide) & Program Edit is only function in DVB section only.
2. The operation of System Setup, User Preferences and Parental Control are same as DVB Section.

## Operations of FM

### Select FM Function

1. Press the TV/DAB Button to select the FM option.
2. Press the **OK** Button to enter FM mode. Press the **▲ ▼** Buttons to manual tune frequency to obtain the optimum reception.
3. Press the **◀ ▶** Buttons to auto search station, and the strongest signal will automatically playback if found.



### Note:

1. EPG (Electronic Program Guide) & Program Edit is only function in DVB section only.
2. The operation of System Setup, User Preferences and Parental Control are same as DVB Section.

## Troubleshooting

If you have any issues or queries about the functions of this Set Top Box, please check the below table as we have provided you with FAQs to assist with any issues. If this table is not of assistance, please contact the Bush warranty line.

Problem	Possible Cause	What To Do
No Display	Power not connected or switched on	Check that Power is connected and switches are turned on
No signal found	Aerial is disconnected Aerial is damaged/misaligned	Disconnect and connect aerial firmly
	Out of digital signal area	Check with retailer
No picture or sound	AV/Video Cables may not be connected correctly	Check cables are connected firmly as per the images outlined
Mosaic blocks in picture or picture freezes	Aerial may not be compatible	Check aerial
Scrambled channel message	Channel is scrambled	Conduct a factory reset and rescan for available channels
Forgotten channel lock code		Use the override code 7710 to unlock
	Set Top Box Off	Plug in and turn on Set Top Box
Remote Control is not response	Remote Control not aimed correctly	Aim Remote Control at front panel
	Front panel obstructed	Check for obstructions
	Remote Control batteries are inserted incorrectly	Check batteries direction
	Remote Control batteries exhausted	Replace remote control batteries
After moving the Set Top Box to another room, find can't receive the digital reception	The aerial feed may have come through a distribution system which may reduce the digital signal now received by the receiver	Try a direct feed from the antenna

**Warning:** If this doesn't work, contact a qualified repair technician, never attempt to repair the Set Top Box yourself.

## Technical specifications

Item		Specification
Tuner	Frequency Range	VHF: 51MHz to 400MHz UHF: 448MHz to 858MHz
	Input Impedance	75Ohms unbalanced
	Signal Input Level	-78~-25dbm
	Bandwidth	7MHz
Demodulation	Demodulator	COFDM
	OFDM Modulation	2K, 8K FFT, SFN and MFN
	Packed Carries	2K/8K
	Guard Interval	1/4, 1/8, 1/16, 1/32
Connectors	RF IN	IEC 169-2 female connector
	RF Loop Through	IEC 169-2 male connector
	Y, Pb/Cb, Pr/Cr	RCA for component video output
	L/R	RCA, Analog audio left and right output
	Optical	SPDIF digital audio output
	HDMI	1.4 Version
	RS-232	DB-9 male serial port, for software upgrade
	VGA	D-SUB
Power supply	Input	Connector AC230V/50Hz
	Consumption	12W max.
Display		
	Resolution	1920X1080i, 1280X720p, 720X576p
	Aspect Ratio	4:3(Letterbox, full), 16:9,Panscan
Decoding	Video	MPEG2 Transport <a href="#">MP@HL</a> & MP@ML, MPEG4 Port 10/H.264
	Audio	MPEG2 Audio Layer I&II
Others	Compliance	ETSI EN 300 744 DVB-T Compliance
	Sound Mode	Left/Right, Stereo, AV Output, Auto, PCM, CD
	Size	280*200*43mm
	Weight (Net)	1.8kg

\* Specifications and design are subject to change without prior notice



This marking shown on the product or its literature, indicates that it should not be disposed with other household wastes at the end of its working life. To prevent possible harm to the environment or human health from uncontrolled waste disposal, please separate this from other types of wastes and recycle it responsibly to promote the sustainable reuse of material resources.

## Warranty

Please keep your receipt as proof of purchase. This product is warranted for any defect in materials or workmanship for one year after the original date of purchase. This product is for normal domestic and office use only. This warranty does not cover damage from misuse or neglect, accidental damage, vermin infestation, excessive voltages such as lightning or power surges or any alternation that affects the performance or reliability of the product.

In the unlikely event that your product fails to work normally, please contact the **Bush Warranty 1800 509 394 (Australia) or 0800 450 259 (New Zealand)** and have your receipt of purchase on hand.

**This warranty is subject to the following provisions:**

- It is only valid within boundaries of the country of purchase
- The product must be correctly assembled and operated in accordance with the instructions contained in the manual
- This product must be used solely for domestic purposes
- The warranty does not cover accidental damage
- The warranty will be rendered invalid if the product is resold or has been damaged by inexperienced repair
- The manufacturer disclaims any liability for incidental or consequential damaged

**This warranty is in addition to, and does not diminish, your statutory or legal rights.**

PO BOX 6287

Silverwater NSW 1811

[www.bushaustralia.com.au](http://www.bushaustralia.com.au)

**Bush Warranty: 1800 509 394 Australia**

**Bush Warranty: 0800 450 259 New Zealand**





PO BOX 6287  
Silverwater NSW 1811  
[www.bushaustralia.com.au](http://www.bushaustralia.com.au)

rev.1 30-June-2010