

WALL MOUNTED SPLIT TYPE AIR CONDITIONER

MANUAL



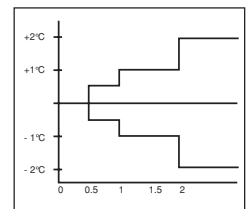
ACSON

CONTENTS

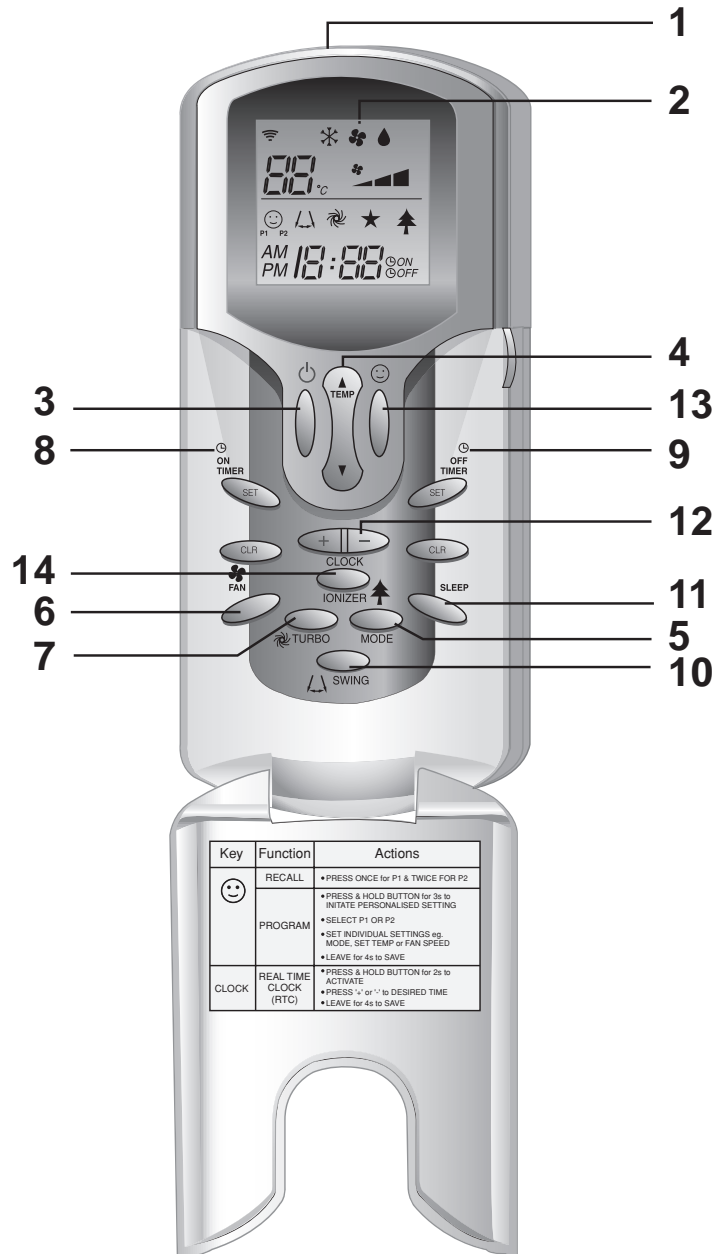
- Operating Guide	page 1
- G12 Remote Controller Indication	page 2
- Indicator Lights	page 4
- Installation of Aroma	page 5
- Auto Random Re-Start Function	page 5
- Service and Maintenance	page 5
- Troubleshooting	page 6

OPERATING GUIDE

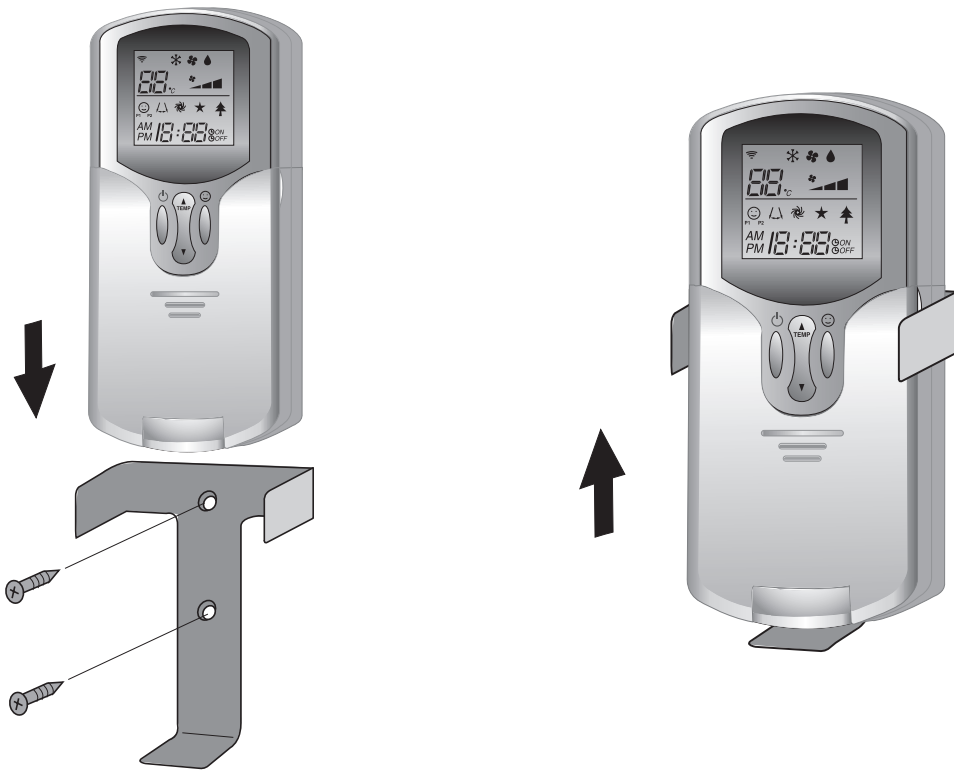
- 1. Transmission source**
 - The source where the signal will be transmitted.
- 2. Signal transmission indication**
 - Blink to confirm that the last setting has been transmitted to the unit.
- 3. "ON/OFF" Button**
 - Press once to start the air conditioner unit.
 - Press again to stop the unit.
- 4. Temperature setting**
 - To set the desired room temperature, press the ▲ or ▼ button to increase or decrease the set temperature.
 - The temperature setting range is from 16°C to 30°C (Optional setting 20°C to 30°C).
 - Press both buttons simultaneously to toggle ▲ and ▼ from °C to °F setting.
- 5. Operation mode**
 - Press the **MODE** button to select the type of operating mode.
 - For cooling only unit, the available modes are: **COOL** (❄️), **DRY** (💧) and **FAN** (🌀).
- 6. Fan speed selection**
 - Press the 🌀 button continuously will toggle the fan speed in the following order:
Low → Med → High → Auto
 - Stop pressing when the desired fan speed appears on the display screen.
- 7. Turbo function**
 - Press 🌀 for fast cooling.
 - The temperature will be decreased if in **COOL** or **DRY** mode.
Fan speed will be increased if it is not at maximum speed.
 - The temperature and fan speed will resume to user setting if 🌀 is pressed again or after 20 minutes.
 - Available under **COOL** and **DRY** modes only.
- 8. ON timer setting**
 - Press the **SET** button will activate the on timer function.
 - Set the desired on time by pressing the **SET** button continuously. If the timer is set to 7.30am, the air conditioner will turn on at 7.30am sharp.
 - Press the **CLR** button to cancel the on timer setting.
- 9. OFF timer setting**
 - Press the **SET** button will activate the off timer function.
 - Set the desired off time by pressing the **SET** button continuously.
 - Press the **CLR** button to cancel the off timer setting.
- 10. Automatic air swing (optional)**
 - Press the **SWING** button to activate the automatic air swing function.
 - To distribute the air to a specific direction, press the **SWING** button and wait until the louver move to the desired direction and press the button once again.
- 11. Sleep mode setting**
 - Press the **SLEEP** button will activate the sleep mode function.
 - This is an energy saving option. When the unit is operating under cooling mode, the set temperature is increased by 0.5°C after the first half an hour, 1°C after the second half an hour and total of 2°C after the following 1 hour. This function will prevent excessive cooling during summer season.
 - This function is available under **COOL** and **AUTO** mode.
- 12. Clock time setting**
 - Press + button to increase the clock time.
 - Press - button to decrease the clock time.
- 13. Personalize setting**
 - Press ☺ and hold for 3s, then ☺_{P1} will blink. Press again to cycle between ☺_{P1} and ☺_{P2}.
 - Set the desire setting, then leave the handset for 4s without pressing any key and it will save the setting into the programme.
 - Press ☺ once to activate the P1 setting, press again to cycle between P1 and P2.
 - Press any key to deactivate the personalize setting.
- 14. Ionizer setting (optional)**
 - Press 🌿 will activate the ionizer function.
 - Press again to deactivate the function.



G12 Remote Controller Indication



HOW TO MOUNT ONTO THE WALL



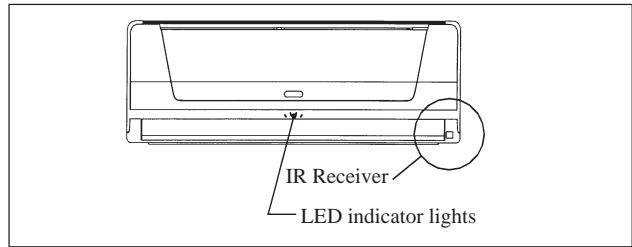
TO INSERT BATTERIES



INDICATOR LIGHTS

IR signal receiver

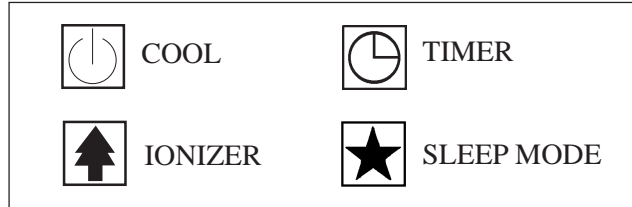
When an infrared remote control operating signal has been transmitted, the signal receiver on the indoor unit will make a <beep> sound to confirm acceptance of the signal transmission.



Cooling unit

The table shows the LED indicator lights for the air conditioner unit under normal operation and fault conditions. The LED indicator lights are located at the middle of the air conditioner unit.

LED Indicator Lights for Cooling Unit



LED Indicator Lights : Normal Operation And Fault Conditions For Cooling Unit

	 COOL (GREEN)			Normal Operation / Fault Indication	Action
○/●	○ Green		○/●	Cool mode	-
	○	○		Timer on	-
○	○			Sleep mode on	-
	○		○	Ionizer on	-
		●		Room air sensor contact Loose / Short Outdoor coil sensor contact Loose / Short	Call your dealer
●		●		Indoor coil sensor contact Loose / Short	Call your dealer
	●	●		Compressor overload protection trip or gas leak	Call your dealer

○ ON

○/● ON or OFF

● Blinking

INSTALLATION OF AROMA

- ① Unscrew the air discharge housing.
- ② Flip open the air discharge housing.
- ③ Remove the aroma tray from the bracket as shown in the picture, replace the new aroma tray into the bracket.
- ④ Close the air discharge housing and thighten it with screw.

⚠ Caution

1. The electrostatic air purifying and deodorizing filter should be replaced once every 6 months or when the filter changes color to brownish, whichever is sooner.
2. Used dusty filters should be disposed and shouldn't be reused, even if it has been cleaned and washed.
3. The filter is a consumable part which you can purchase from your air conditioner dealer.
4. Use the new filter immediately once it has been taken out from its sealed packing. Do not unpack the new filter too early before it is actually used as this may decrease its deodorizing effect.

⚠ Warning

- Disconnect from the main power supply before servicing the air conditioner unit.
- DO NOT pull out the power cord when the power is ON. This may cause serious electrical shocks which may result in fire hazards.

AUTO RANDOM RE-START FUNCTION

If there is a power cut when the unit is operating, it will automatically resume the same operating mode when the power is restored. (Applicable only to units with this feature.)

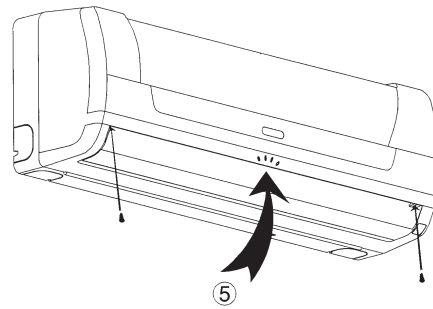
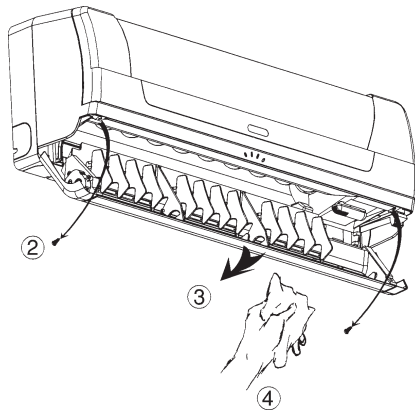
⚠ Caution

Before turning off the power supply, set the remote controller's ON/OFF switch to the "OFF" position to prevent the nuisance tripping of the unit.

If this is not done, the unit's fans will start turning automatically when power resumes, posing a hazard to service personnel or the user.

SERVICE AND MAINTENANCE

Service Parts	Maintenance Procedures	Period
Indoor air filter	<ol style="list-style-type: none"> 1. Remove any dust adhering to the filter by using a vacuum cleaner or wash in lukewarm water (below 40°C/104°F) with a neutral cleaning detergent. 2. Rinse the filter well and dry before placing it back onto the unit. 3. Do not use gasoline, volatile substances or chemicals to clean the filter. 	At least once every 2 weeks. More frequently if necessary.
Indoor unit	<ol style="list-style-type: none"> 1. Clean any dirt or dust on the grille or panel by wiping it with a soft cloth soaked in lukewarm water (below 40°C/104°F) and a neutral detergent solution. 2. Do not use gasoline, volatile substances or chemicals to clean the indoor unit. 	At least once every 2 weeks. More frequently if necessary.



- ① Off the unit.
- ② Unscrew the air discharge housing.
- ③ Flip open the air discharge housing.
- ④ Clean the blower.
- ⑤ Close the air discharge housing and tighten it with screw.

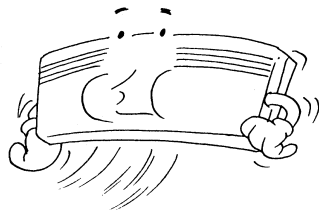
⚠ Caution

Do not operate any heating apparatus too close to the air conditioner unit. This may cause the plastic panel to melt or deform as a result of the excessive heat.

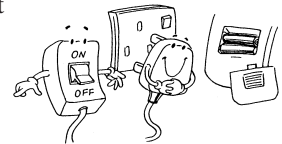
When The Unit Is Not To Be Used For An Extended Long Period Of Time

Operate the unit for 2 hours with the following setting.

Operating mode : cool
Temperature : 30°C/86°F



Remove the power plug.
If you are using an independent electric circuit for your unit, cut off the circuit.
Remove the batteries in the remote control.



TROUBLESHOOTING

If any malfunction of the air conditioner unit is noted, immediately switch off the power supply to the unit. Check the following fault conditions and causes for some simple troubleshooting tips.

Fault	Causes / Action
1. The compressor does not operate 3 minutes after the air conditioner unit is started.	- Protection against frequent starting. Wait for 3 to 4 minutes for the compressor to start operating.
2. The air conditioner unit does not operate.	- Power failure, or the fuse needs to be replaced. - The power plug is disconnected. - It is possible that your delay timer has been set incorrectly. - If the fault persist after all these verifications, please contact the air conditioner unit installer.
3. The air flow is too low.	- The air filter is dirty. - The doors or windows are open. - The air suction and discharge are clogged. - The regulated temperature is not high enough.
4. Discharge air flow has bad odour.	- Odours may be caused by cigarettes, smoke particles, perfume etc. which might have adhered onto the coil.
5. Condensation on the front air grille of the indoor unit.	- This is caused by air humidity after an extended long period of operation. - The set temperature is too low, increase the temperature setting and operate the unit at high fan speed.
6. Water flowing out from the air conditioner unit.	- Switch off unit and call dealer.
7. Hissing air flow sound from the air conditioner unit during operation.	- Refrigerant fluid flowing into the evaporator coil.

If the fault persists, please call your local dealer / serviceman.

- In the event that there is any conflict in the interpretation of this manual and any translation of the same in any language, the English version of this manual shall prevail.
- The manufacturer reserves the right to revise any of the specification and design contain herein at any time without prior notification.

OYL MANUFACTURING COMPANY SDN. BHD.

JALAN PENGAPIT 15/19, P.O. BOX 7072, 40702 SHAH ALAM, SELANGOR DARUL EHSAN, MALAYSIA.