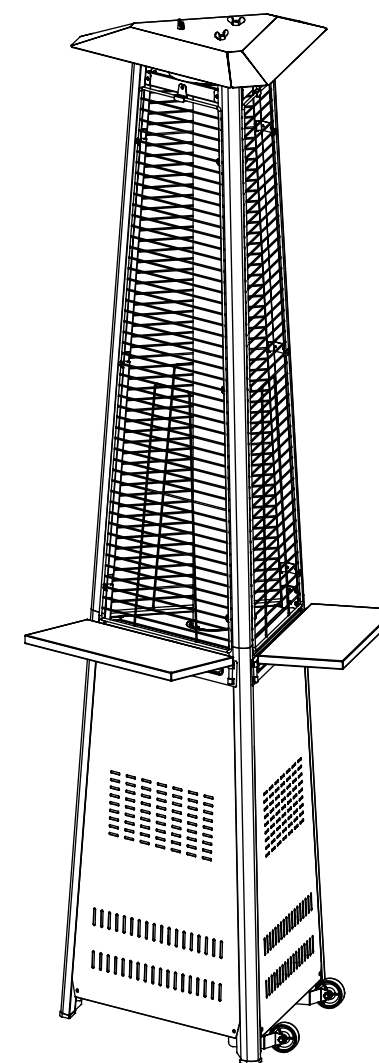


# GAS PATIO HEATER

MODEL #BSH-A-SS

Français p. 26

Español p. 51



## **⚠ DANGER**

**FOR YOUR SAFETY**  
If you smell gas:  
1. Shut off gas to the appliance.  
2. Extinguish any open flame.  
3. If odor continues, keep away from the appliance and immediately call your gas supplier or fire department.

## **⚠ WARNING**

Do not store or use gasoline or other flammable vapors and liquids in the vicinity of this or any other appliance. An LP-cylinder not connected for use shall not be stored in the vicinity of this or any other appliance.

## **⚠ WARNING: For Outdoor Use Only**

### **⚠ DANGER**

**CARBON MONOXIDE HAZARD**  
This appliance can produce carbon monoxide which has no odor. Using it in an enclosed space can kill you. Never use this appliance in an enclosed space such as a camper, tent or home.



**ANS Z83.26-2007/CSA 2.37-2007 Gas-Fired Outdoor Infrared Patio Heaters**  
**ANS Z83.26a-2008/CSA 2.37a-2008 Gas-Fired Outdoor Infrared Patio Heaters**  
**ATTACH YOUR RECEIPT HERE**

Serial Number \_\_\_\_\_ Purchase Date \_\_\_\_\_

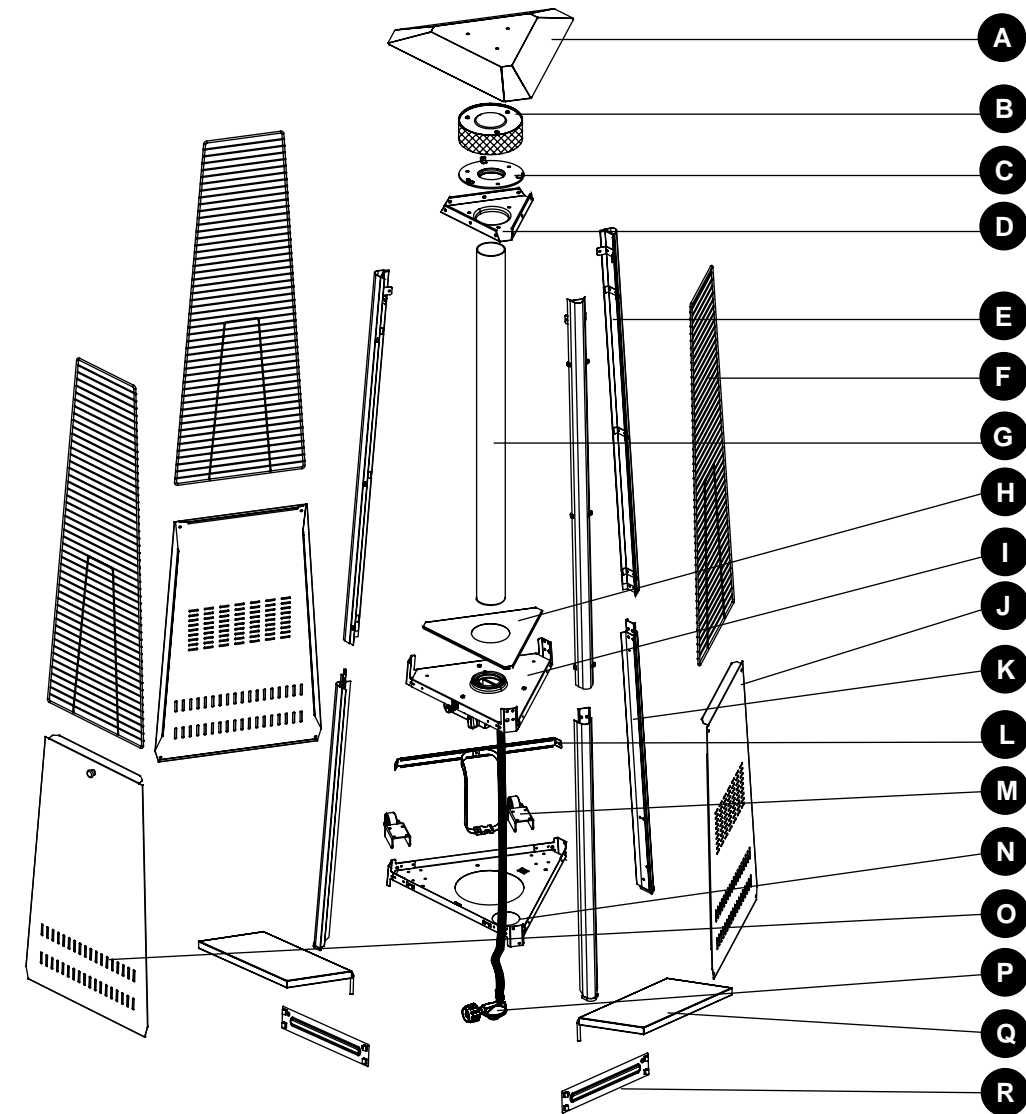


Questions, problems, missing parts? Before returning to your retailer, call our customer service department at 1-8888-775-1330, 8 a.m. - 4 p.m., PST, Monday - Friday.

## TABLE OF CONTENTS

Package Contents.....	3
Hardware Contents.....	4
Safety Information.....	4
Preparation .....	8
Assembly Instructions .....	9
Operating Instructions .....	11
Care and Maintenance .....	13
Troubleshooting.....	14
Warranty.....	15
Replacement Parts List .....	16

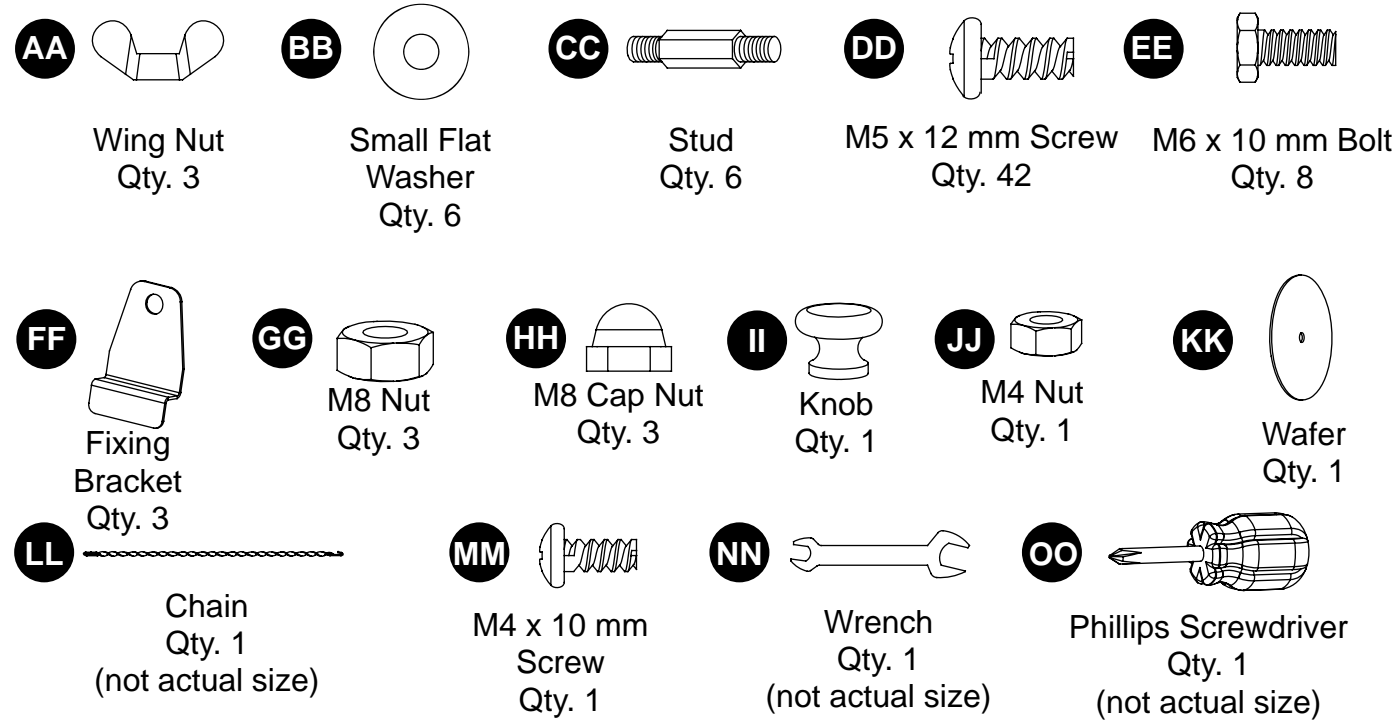
## PACKAGE CONTENTS



PART	DESCRIPTION	QUANTITY
A	Reflector	1
B	Mesh	1
C	Mesh Base	1
D	Top Plate	1
E	Upper Support	3
F	Protective Guard	3
G	Glass Tube	1
H	Middle Cover	1
I	Control Box Assembly	1
J	Side Panel	2
K	Lower Support	3
L	Block Belt	1
M	Wheel Assembly	2

PART	DESCRIPTION	QUANTITY
N	Bottom Plate	1
O	Front Panel	1
P	Gas Hose and Regulator	1
Q	Tabletop	2
R	Table Connect Panel	2

**HARDWARE CONTENTS** (shown actual size)



**! SAFETY INFORMATION**

Please read and understand this entire manual before attempting to assemble, operate or install the product.

This manual contains important information about the assembly, operation and maintenance of this patio heater. General safety information is presented in these first few pages and is also located throughout the manual. Keep this manual for future reference and to educate new users of this product. This manual should be read in conjunction with the labeling on the product. Safety precautions are essential when any mechanical or propane-fueled equipment is involved. These precautions are necessary when using, storing, and servicing this item. Using this equipment with the respect and caution demanded will reduce the possibilities of personal injury or property damage. The following symbols shown below are used extensively throughout this manual. Always heed these precautions, as they are essential when using any mechanical or fueled equipment.

**! DANGER**

Failure to comply with the precautions and instructions provided with this heater can result in death, serious bodily injury and property loss or damage from hazards of fire, explosion, burn, asphyxiation, and/or carbon monoxide poisoning. Only persons who can understand and follow the instructions should use or service this heater.

**! DANGER**

**FOR YOUR SAFETY**

If you smell gas:

1. Shut off gas to the appliance.
2. Extinguish any open flame.
3. If odor continues, keep away from the appliance and immediately call your gas supplier or fire department.

**! SAFETY INFORMATION**

**! DANGER**

- EXPLOSION - FIRE HAZARD
- Keep solid combustibles, such as building materials, paper or cardboard, a safe distance away from the heater as recommended by the instructions.
- Provide adequate clearances around air openings into the combustion chamber.
- Never use the heater in spaces that do or may contain volatile or airborne combustibles, or products such as gasoline, solvents, paint thinner, dust particles or unknown chemicals.
- During operation, this product can be a source of ignition. Keep heater area clear and free from combustible materials, gasoline, paint thinner, cleaning solvents and other flammable vapors and liquids. Do not use heater in areas with high dust content. Minimum heater clearances from combustible materials: three (3) feet from the sides and two (2) feet from the top.

**! DANGER**

- CARBON MONOXIDE HAZARD
- This heater is a combustion appliance. All combustion appliances produce carbon monoxide (CO) during the combustion process. This product is designed to produce extremely minute, non-hazardous amounts of CO if used and maintained in accordance with all warnings and instructions. Do not block air flow into or out of the heater.
- Carbon Monoxide (CO) poisoning produces flu-like symptoms, watery eyes, headaches, dizziness, fatigue and possibly death. You can't see it and you can't smell it. It's an invisible killer. If these symptoms are present during operation of this product get fresh air immediately!
- For outdoor use only.
- Never use inside house, or other unventilated or enclosed areas.
- This heater consumes air (oxygen). Do not use in unventilated or enclosed areas to avoid endangering your life.

**! DANGER**

- EXPLOSION - FIRE HAZARD
- Never store propane near high heat, open flames, pilot lights, direct sunlight, other ignition sources or where temperatures exceed 120°F
- Propane vapors are heavier than air and can accumulate in low places. If you smell gas, leave the area immediately.
- Never install or remove propane cylinder while heater is lighted, near flame, pilot lights, other ignition sources or while heater is hot to touch.
- This heater is red hot during use and can ignite flammables too close to the burner. Keep flammables at least 3 feet from sides and 2 feet from top. Keep gasoline and other flammable liquids and vapors well away from heater.
- Store the propane cylinder outdoors in a well ventilated space out of reach of children. Never store the propane cylinder in an enclosed area (house, garage, etc.). If heater is to be stored indoors, disconnect the propane cylinder for outdoor storage.

## SAFETY INFORMATION

---

### WARNING

- CARBON MONOXIDE HAZARD
- We cannot foresee every use that may be made of our heaters.
- Check with your local fire safety authority if you have questions about heater use.
- Other standards govern the use of fuel gases and heat producing products for specific uses. Your local authorities can advise you about these.
- Never use inside house, or other unventilated or enclosed areas.
- This heater consumes air (oxygen). Do not use in unventilated or enclosed areas to avoid endangering your life.

### WARNING

- California Proposition 65  
Combustion by-products produced when using this product contain chemicals known to the state of California to cause cancer, birth defects, and other reproductive harm.

### WARNING

#### BURN HAZARD

- Never leave heater unattended when hot or in use.
- Keep out of reach of children.

### WARNING

- Do not store or use gasoline or other flammable vapors and liquids in the vicinity of this or any other appliance. An LP-cylinder not connected for use shall not be stored in the vicinity of this or any other appliance.

### WARNING

- Improper installation, adjustment, alteration, service or maintenance can cause property damage, injury or death. Read the installation, operation and maintenance instructions thoroughly before installing or servicing this equipment.

### WARNING

#### BURN HAZARD

- Certain materials or items, when stored under the heater, will be subjected to radiant heat and could be seriously damaged.

## SAFETY INFORMATION

---

### WARNING

- This product is fueled by propane gas. Propane gas is invisible, odorless, and flammable. An odorant is normally added to help detect leaks and can be described as a “rotten egg” smell. The odorant can fade over time so leaking gas is not always detectable by smell alone.
- Propane gas is heavier than air and leaking propane will sink to the lowest level possible. It can ignite by ignition sources including matches, lighters, sparks or open flames of any kind many feet away from the original leak. Use only propane gas set up for vapor withdrawal.
- Store or use propane gas in compliance with local ordinances and codes or with ANS/NFPA 58. Turn off propane when not in use.

### WARNING

- Alert children and adults to the hazards of high surface temperatures. Stay away from these surfaces to avoid burning skin or igniting clothing.
- Carefully supervise young children when in the vicinity of the heater.
- Do not hang clothing or any other flammable materials from the heater, or place on or near the heater.
- Replace any guard or protective device removed for servicing the appliance prior to placing back in service.
- Installation and repair should be done by a qualified service person. The heater should be inspected before use and annually by a qualified service person.
- More frequent cleaning may be required as necessary.
- It is imperative that the control compartment, burners, and circulating air passageway of the appliance be kept clean.

### CAUTION

- Keep all connections and fittings clean. Make sure propane cylinder valve outlet is clean.
- During set up, check all connections and fittings for leaks using soapy water. Never use a flame.
- Use as a heating appliance only. Never alter in any way or use with any device.

**SAFETY INFORMATION**

A dented, rusted or damaged propane cylinder may be hazardous and should be checked by your cylinder supplier. Never use a propane cylinder with a damaged valve connection.

The propane cylinder must be constructed and marked in accordance with the specifications for LP gas cylinders of the U.S. Department of Transportation (DOT) or the standard for cylinders, spheres and tubes for transportation of dangerous goods and commission, CAN/CSA-B339.

The cylinder must have a listed overfilling prevention device.

The cylinder must have a connection device compatible with the connection for the appliance.

The cylinder used must include a collar to protect the cylinder valve.

Never connect an unregulated propane cylinder to the heater.

Do not store a spare LP-gas cylinder under or near this appliance.

Never fill the cylinder beyond 80 percent full.

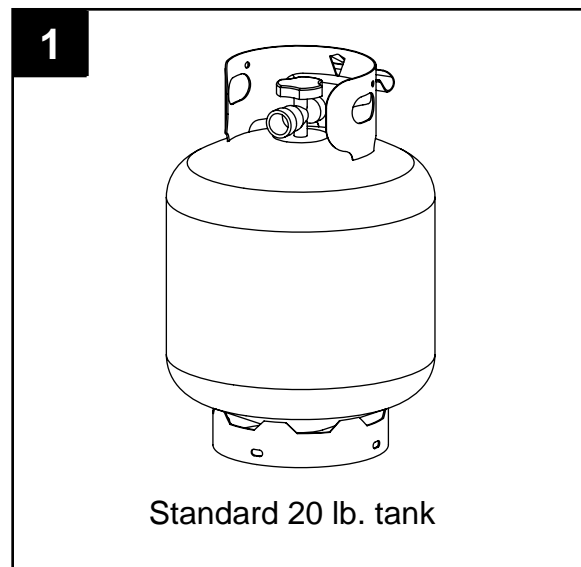
Place the dust cap on the cylinder valve outlet whenever the cylinder is not in use. Only install the type of dust cap on the cylinder valve that is provided with the cylinder valve. Other type of caps or plugs may result in leakage of propane.

**PREPARATION**

Before beginning assembly of product, make sure all parts are present. Compare parts with package contents list and hardware contents list. If any part is missing or damaged, do not attempt to assemble the product.

**Estimated Assembly Time:** 60 minutes

Tools Required for Assembly (not included): Phillips Screwdriver and Leak Detection Solution.


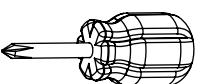


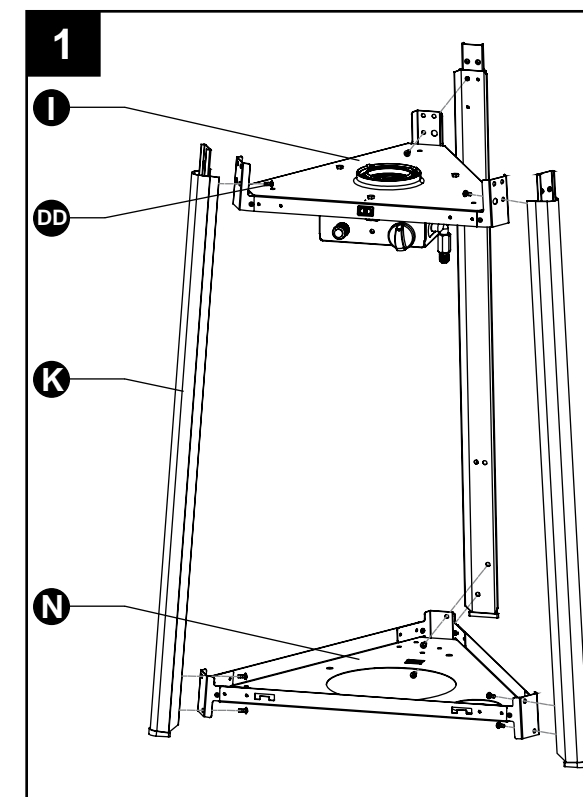
**ASSEMBLY INSTRUCTIONS**

**WARNING:** Two people are required to safely assemble the product!

1. Assemble the three lower supports (K) to the bottom plate (N) and control box assembly (I) using the M5 x 12 mm screws (DD). Align the side of bottom plate (N) with the holes with the side of control box assembly (I) with the knobs. Make sure the bottom plate (N) and control box assembly (I) are not upside down, then use Phillips screwdriver (OO) to fasten each to the lower supports (K) with M5 x 12 mm screws (DD). DO NOT yet tighten the M5 x 12 mm screws (DD) on control box assembly (I).

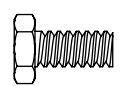
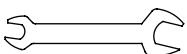
**Hardware Used**

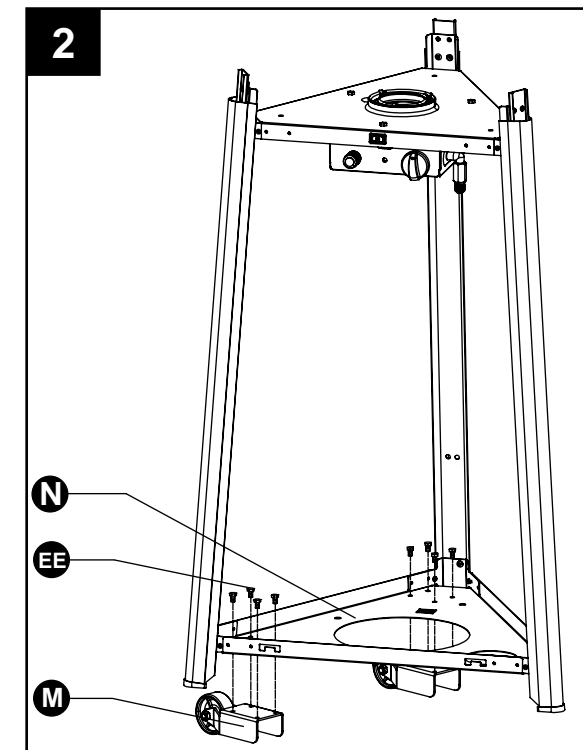
<b>DD</b>	M5 x 12 mm Screw		x 9
<b>OO</b>	Phillips Screwdriver		x 1



2. Using wrench (NN), assemble the wheel assembly (M) to the bottom plate (N) with M6 x 10 mm bolts (EE).

**Hardware Used**


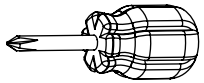
<b>EE</b>	M6 x 10 mm Bolt		x 8
<b>NN</b>	Wrench		x 1

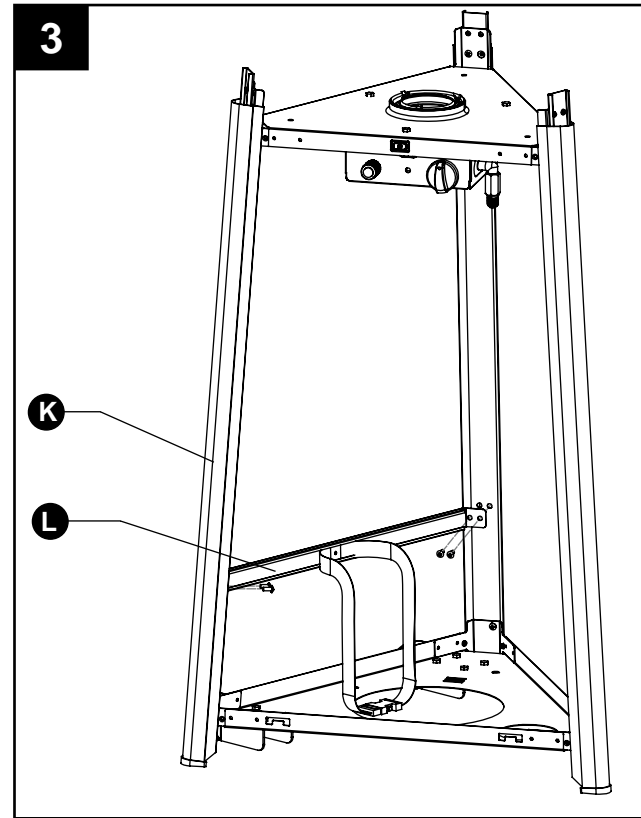


## ASSEMBLY INSTRUCTIONS

3. Use Phillips screwdriver (OO) to secure the block belt (L) to the lower supports (K) with M5 x 12 mm screws (DD).


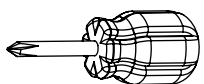
### Hardware Used

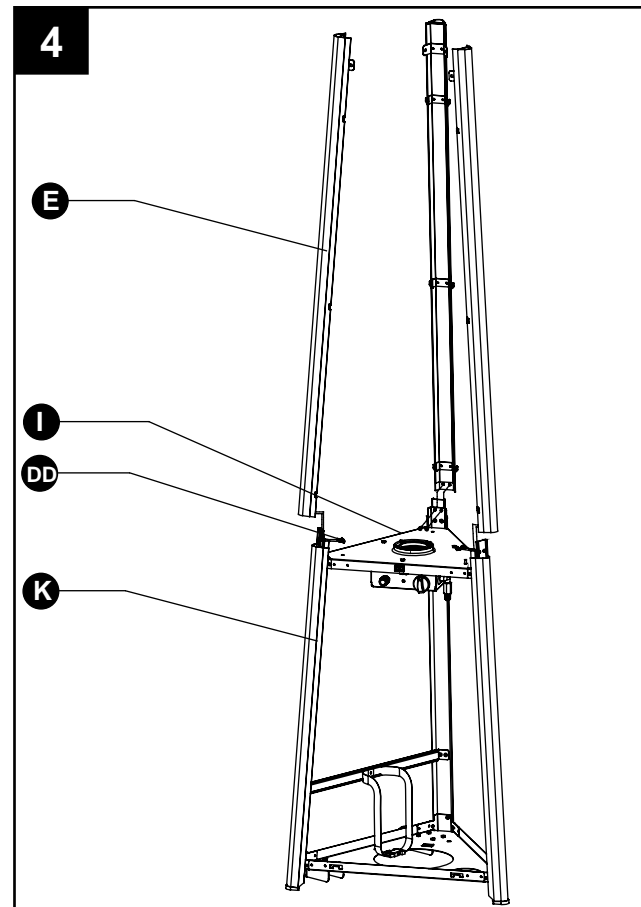
<b>DD</b>	M5 x 12 mm Screw		x 4
<b>OO</b>	Phillips Screwdriver		x 1



4. Connect upper supports (E) to the lower supports (K) with M5 x 12 mm screws (DD) and previously installed M5 x 12 mm screws (DD) on control box assembly (I). Tighten with Phillips screwdriver (OO).

### Hardware Used


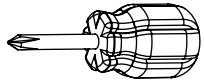
<b>DD</b>	M5 x 12 mm Screw		x 6
<b>OO</b>	Phillips Screwdriver		x 1

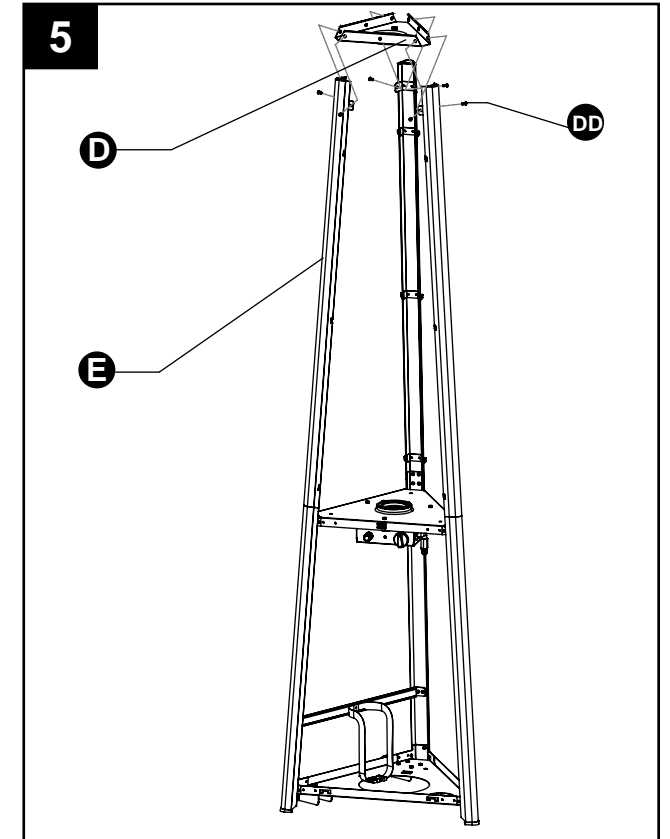


## ASSEMBLY INSTRUCTIONS

5. Use Phillips screwdriver (OO) to secure the top plate (D) to the upper supports (E) with M5 x 12 mm screws (DD).


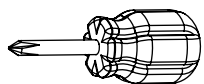
### Hardware Used

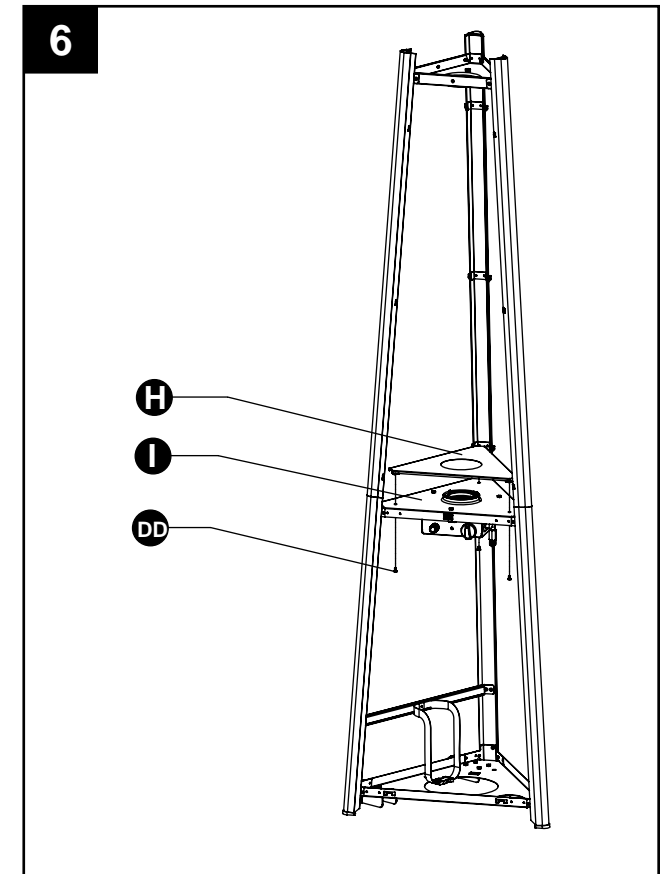
<b>DD</b>	M5 x 12 mm Screw		x 6
<b>OO</b>	Phillips Screwdriver		x 1



6. Connect upper supports (E) to the lower supports (K) with M5 x 12 mm screws (DD) and previously installed M5 x 12 mm screws (DD) on control box assembly (I). Tighten with Phillips screwdriver (OO).

### Hardware Used

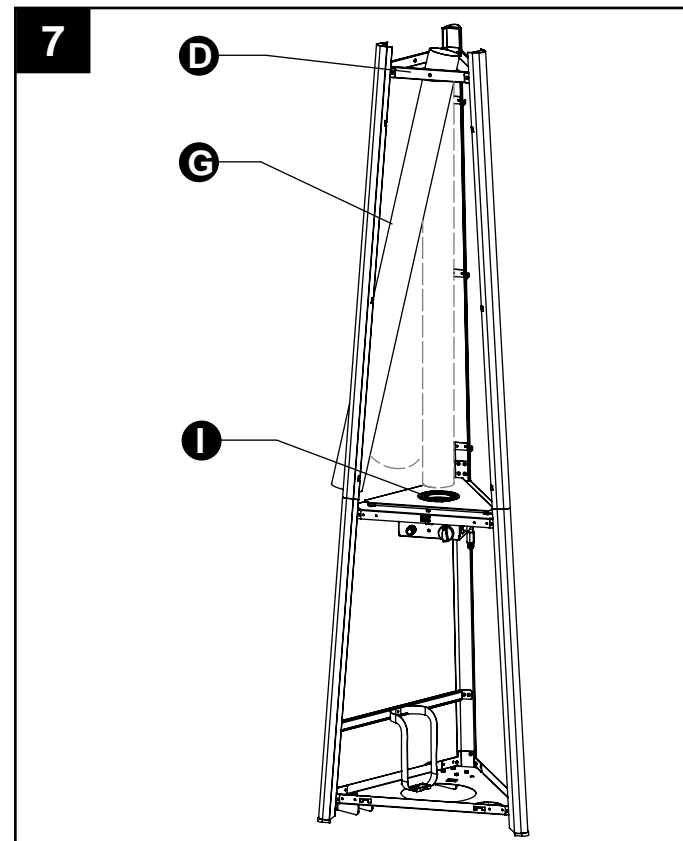
<b>DD</b>	M5 x 12 mm Screw		x 3
<b>OO</b>	Phillips Screwdriver		x 1



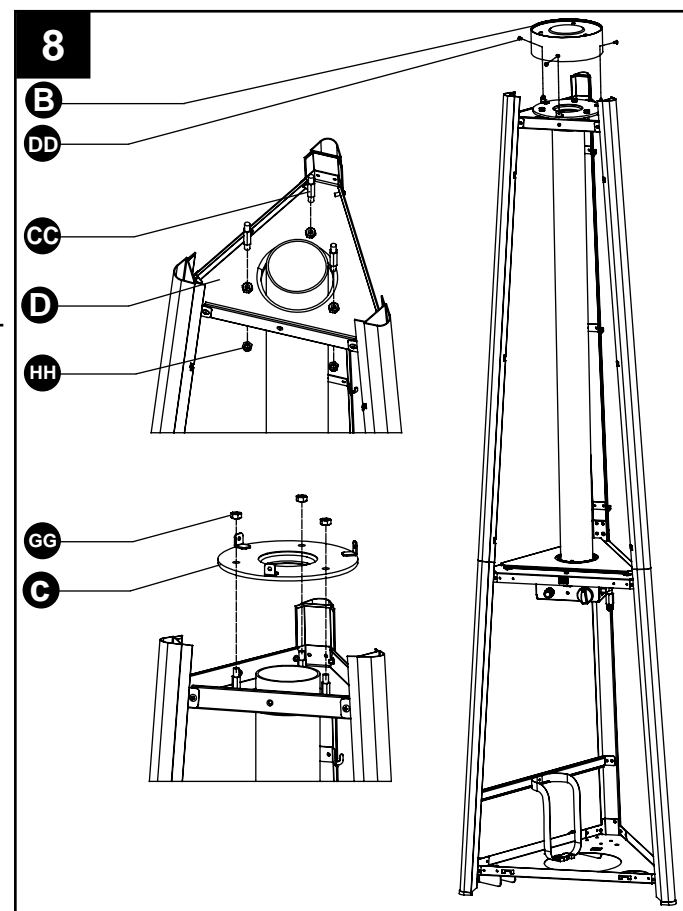


## ASSEMBLY INSTRUCTIONS

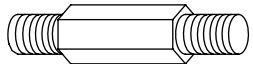

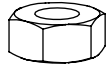
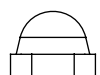
7. Carefully install the glass tube (G) between the center of top plate (D) and control box assembly (I). Make sure the end of the glass tube (G) is inserted securely into the three clips of the control box assembly (I).



8. Carefully lean the assembly down so you can install studs (CC) to top plate (D), securing the studs (CC) with M8 cap nuts (HH). Assemble the mesh (B) to the studs (CC) with M8 nuts (GG). Secure the mesh (B) to the mesh base (C) with M5 x 12 mm screws (DD).



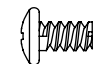
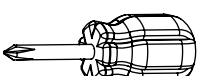
### Hardware Used

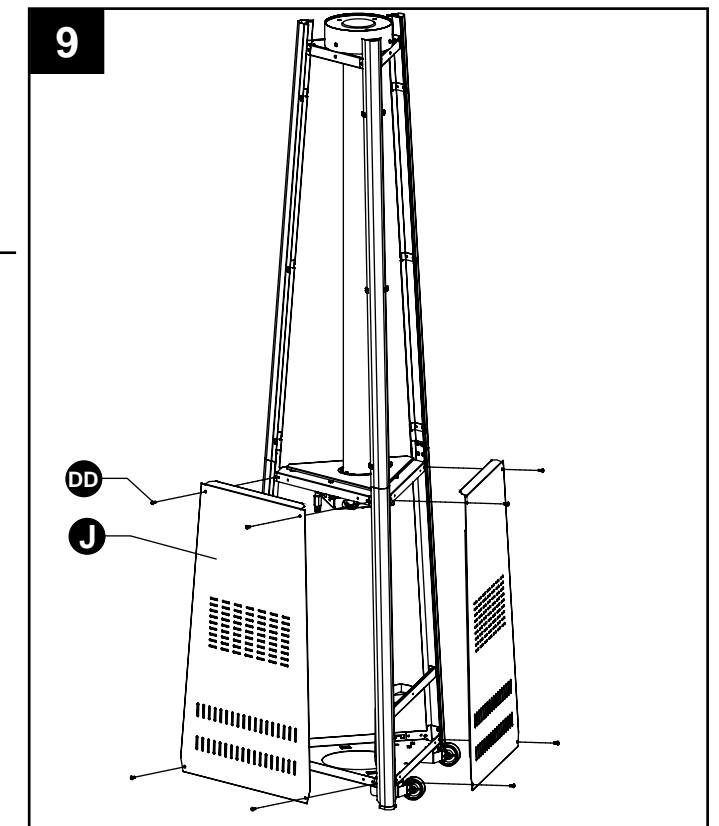
<b>CC</b> Stud		x 3
<b>DD</b> M5 x 12 mm Screw		x 3
<b>GG</b> M8 Nut		x 3
<b>HH</b> M8 Cap Nut		x 3

## ASSEMBLY INSTRUCTIONS

9. Use Phillips screwdriver (OO) to install side panels (J) to bottom of assembly with M5 x 12 mm screws (DD).  
Note: Do not cover the panel where the control knob is.


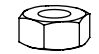

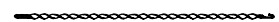
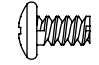
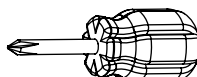
### Hardware Used

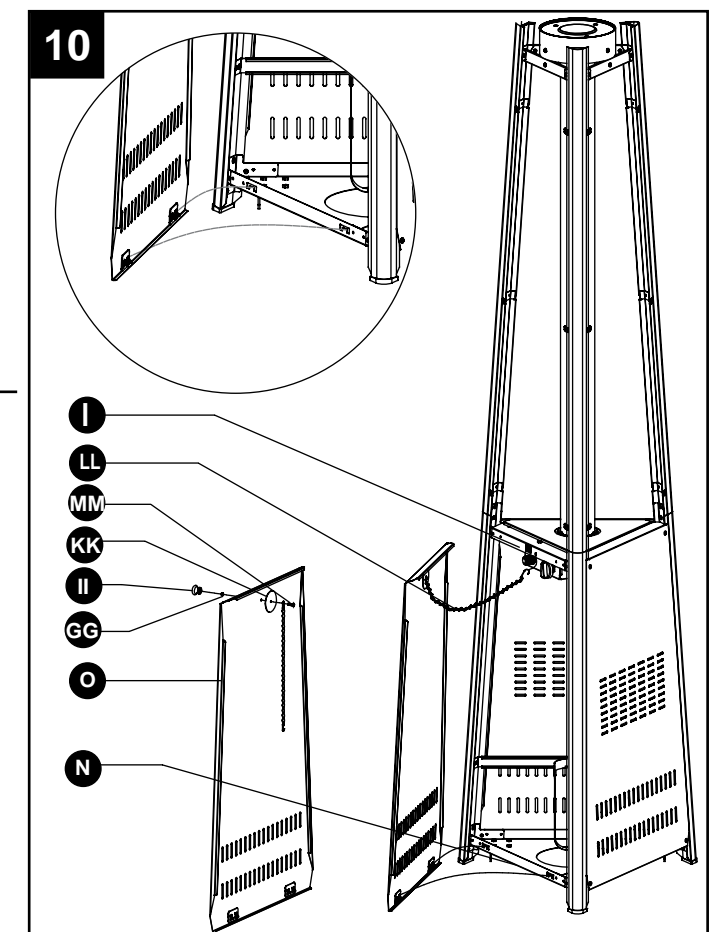
<b>DD</b> M5 x 12 mm Screw		x 8
<b>OO</b> Philips Screwdriver		x 1



10. Using Phillips screwdriver (OO), assemble the chain (LL) and wafer (KK) to the inside of front panel (O) with M4 x 10 mm screw (MM) and M4 nut (JJ). Then install knob (II) to M4 x 10 mm screw (MM) on front panel (O). Hang the chain (LL) from the hole on control box assembly (I) and place the pothooks on bottom of front panel (O) onto the holes of the bottom plate (N).

### Hardware Used



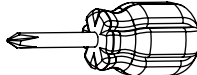
<b>II</b> Knob		x 1
<b>JJ</b> M4 Nut		x 1
<b>KK</b> Wafer		x 1
<b>LL</b> Chain		x 1
<b>MM</b> M4 x 10mm Screw		x 1
<b>OO</b> Phillips Screwdriver		x 1

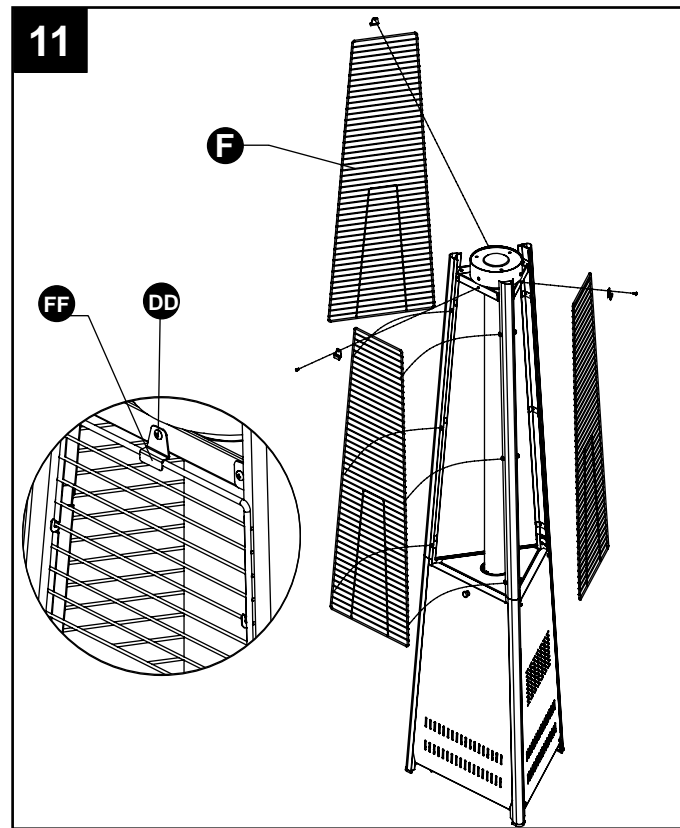


## ASSEMBLY INSTRUCTIONS

11. Use Phillips screwdriver (OO) to install protective guards (F) to the upper supports (E) with M5 x 12 mm screws (DD) and fixing brackets (FF) as shown.

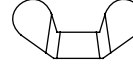
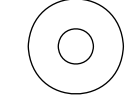
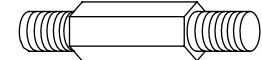
### Hardware Used

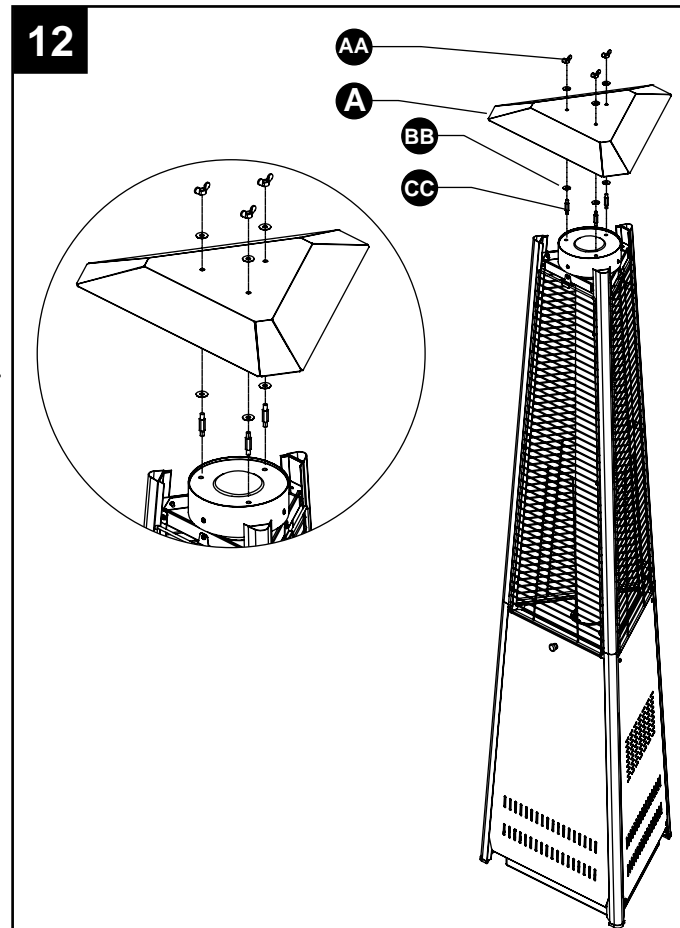
<b>DD</b>	M5 x 12 mm Screw		x 3
<b>FF</b>	Fixing Bracket		x 3
<b>OO</b>	Philips Screwdriver		x 1



12. Carefully lean the assembly and attach reflector (A) to mesh (B) with studs (CC), small flat washers (BB) on either side of reflector (A) and then wing nuts (AA). Gently return the assembly to the upright position.

### Hardware Used


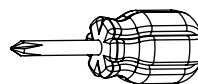
<b>AA</b>	Wing Nut		x 3
<b>BB</b>	Small Flat Washer		x 3
<b>CC</b>	Stud		x 1

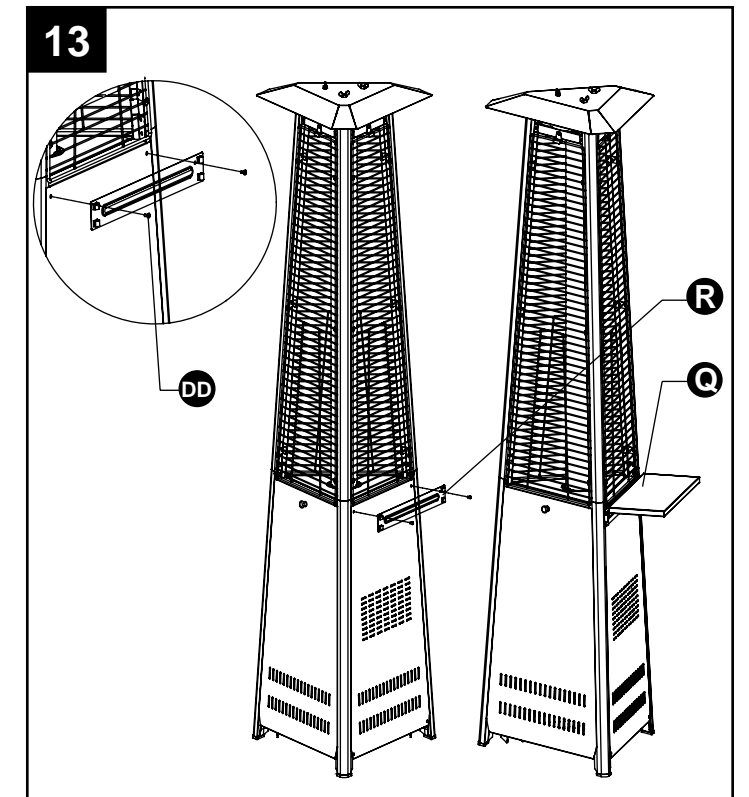


## ASSEMBLY INSTRUCTIONS

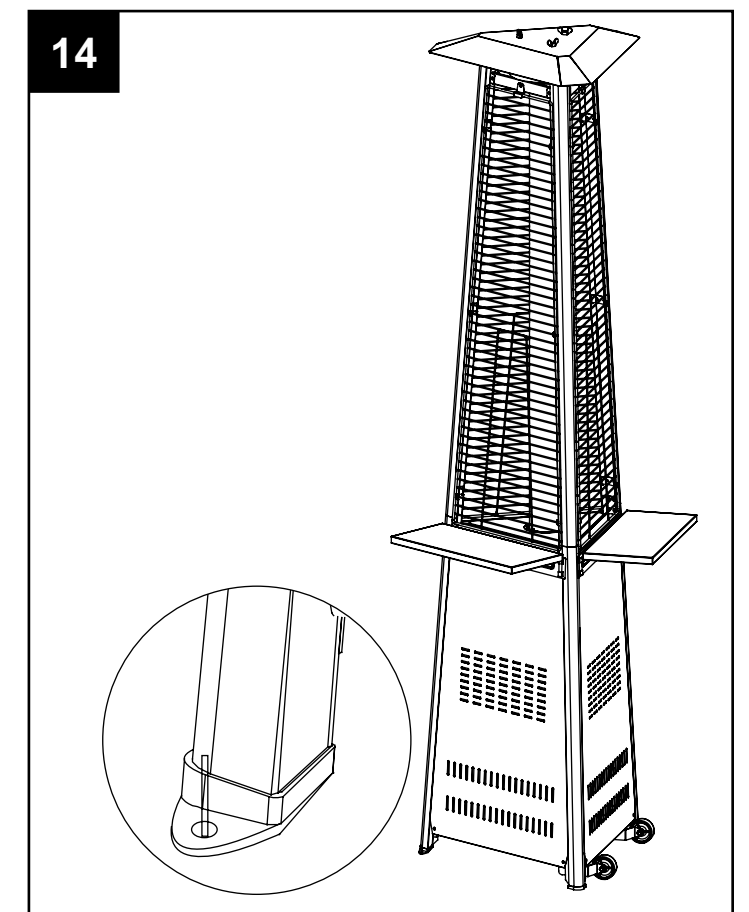
13. Secure the table connect panel (R) to the side door with M5 x 12 mm bolts (DD). Install table (Q) by putting the preassembled bolts through the holes of the table connect panel (R). Repeat for the other side door.

### Hardware Used

<b>DD</b>	M5 x 12 mm Screw		x 4
<b>OO</b>	Philips Screwdriver		x 1



14. OPTIONAL: Use nails (not included) to secure unit to the ground.

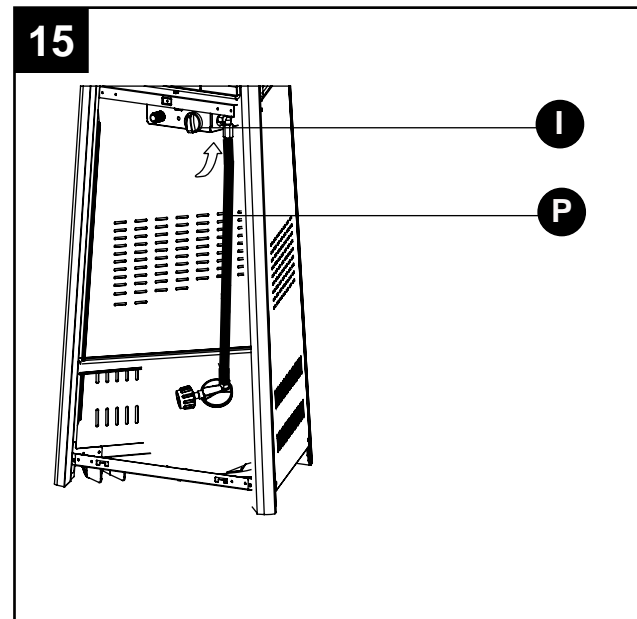




## ASSEMBLY INSTRUCTIONS

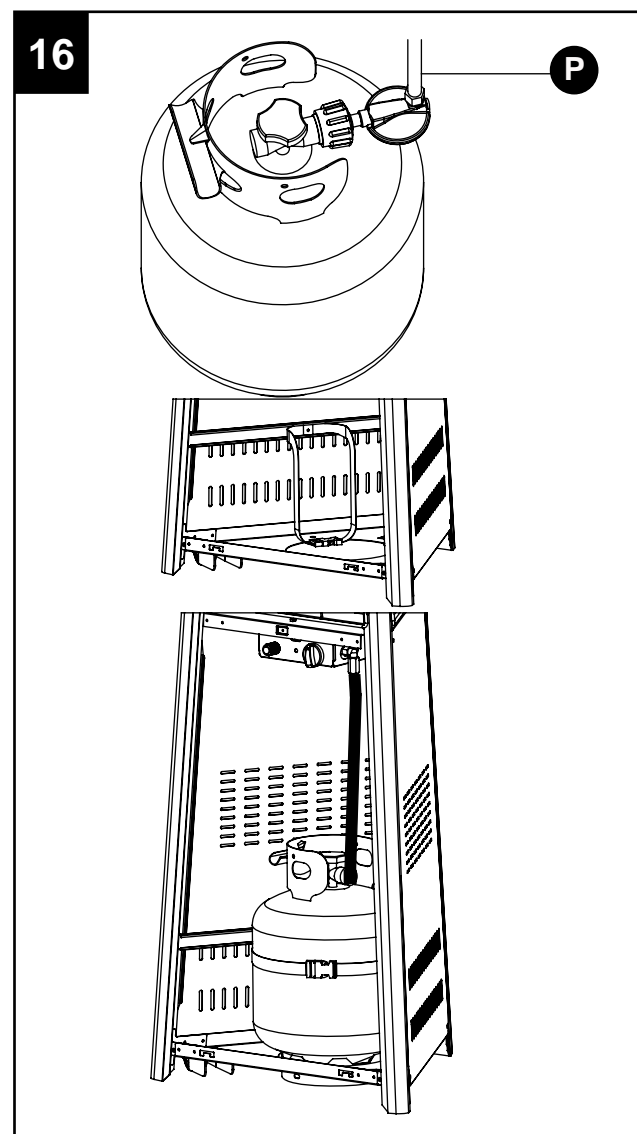
15. Connect gas hose and regulator (P) to control box assembly (I). Do not cross-thread.

**WARNING:** Ensure gas hose does not contact any high temperature surfaces, or it may melt and leak causing a fire.



16. Screw gas hose and regulator (P) to propane cylinder (not included). Do not cross-thread.  
**WARNING:** Use a standard 20 lb. propane cylinder only.

Use this heater only with a propane vapor withdrawal supply system. See chapter 5 of the standard for storage and handling of liquefied petroleum gas, ANS/NFPA 58. Your local library or fire department should have this book. A minimum supply pressure of 0.4 P.S.I. is required for the purpose of input adjustment for propane gas. Storage of an appliance indoors is permissible only if the cylinder is disconnected and removed from the appliance. A cylinder must be stored outdoors in a well-ventilated area out of the reach of children. A disconnected cylinder must have dust caps tightly installed and must not be stored in a building, garage or any other enclosed area. The minimum permissible gas supply pressure of 10 W.C. is required for purpose of input adjustment. A minimum of 17,000 BTUs per hour is the required input rating for a heater with a rating less than full. The pressure regulator and hose assembly supplied with the appliance must be used. The installation must conform with local codes, or in the absence of local codes, with national fuel gas code, ANS Z223.1/NFPA54, natural gas and propane Installation Code, CSA B149.1, or propane storage and handling code, B149.2.



## OPERATING INSTRUCTIONS

To check for a leak:

1. Make 2-3 oz. leak check solution (one part liquid dishwashing detergent and three parts water).
2. Apply several drops of solution where regulator connects to cylinder and to all hose and valve connections
3. Make sure all patio heater and light valves are OFF.
4. Turn cylinder valve ON.

**If bubbles appear at any connection, there is a leak.**

1. Turn cylinder valve OFF.
2. If leak is at regulator/cylinder valve connection: Disconnect, reconnect, and perform another leak check. Apply the soapy solution to all hose and valve connections. If you continue to see bubbles after several attempts, cylinder valve is defective and should be returned to cylinder's place of purchase.
3. If leak is at hose/regulator connection: This part is defective and you should contact the customer service department for replacement.

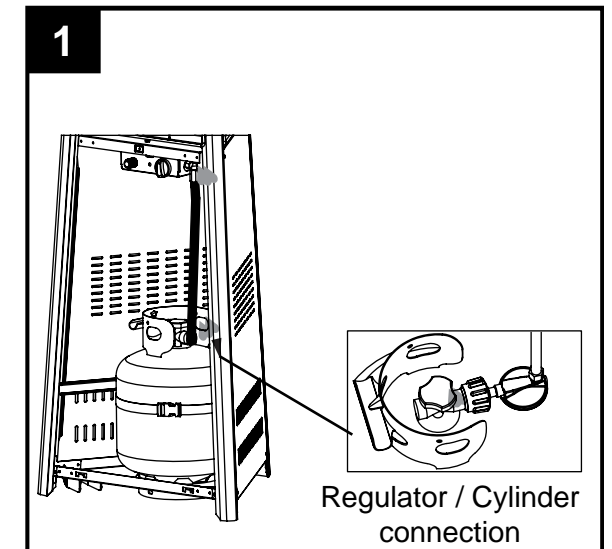
If NO bubbles appear at any connection, the connections are secure.

**NOTE:** Whenever gas connections are loosened or removed, you must perform a complete leak test.

### ⚠ WARNING

Perform all leak tests outdoors.

- Extinguish all open flames.
- NEVER leak test when smoking.
- Do not use the heater until all connections have been leak tested and do not leak.



## OPERATING INSTRUCTIONS

### **⚠ DANGER**

- CARBON MONOXIDE HAZARD
- For outdoor use only. Never use inside house, or other unventilated or enclosed areas. This heater consumes air (oxygen). Do not use in unventilated or enclosed areas to avoid endangering your life.

**Caution:** Do not attempt to operate the heater until you have read and understand all Safety Information in this manual and all assembly is complete and leak checks have been performed.

### Before Turning Gas Supply ON:

1. Your heater was designed and approved for outdoor use only. Do NOT use it inside a building, garage, or any other enclosed area.
2. Make sure surrounding areas are free of combustible materials, gasoline, and other flammable vapors or liquids.
3. Ensure that there is no obstruction to air ventilation. Be sure all gas connections are tight and there are no leaks.
4. Be sure the cylinder cover is clear of debris. Be sure any component removed during assembly or servicing is replaced and fastened prior to starting.

### Before Lighting:

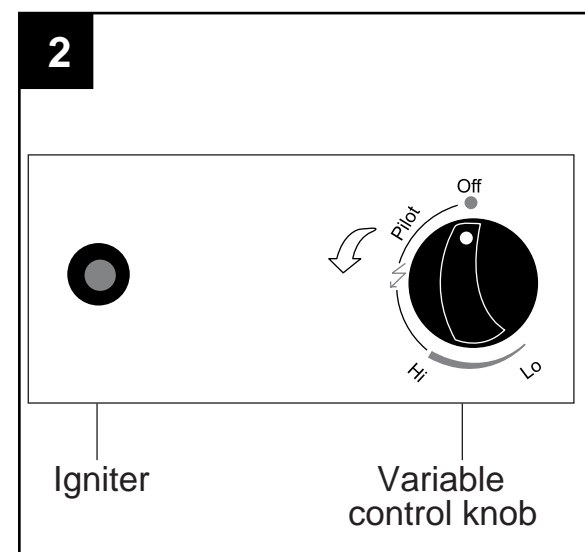
1. Heater should be thoroughly inspected before each use, and by a qualified service person at least annually. If relighting a hot heater, always wait at least 5 minutes.
2. Inspect the hose assembly for evidence of excessive abrasion, cuts, or wear. Suspected areas should be leak tested. If the hose leaks, it must be replaced prior to operation. Only use the replacement hose assembly specified by manufacturer.

### Lighting:

**Note:** This heater is equipped with a pilot light that allows for safer startups and shutdowns. Pilot must be lit before main burner can be started.

1. Turn the control knob to the "OFF" position.
2. Fully open LP cylinder valve.
3. Push control knob in and rotate to pilot position.

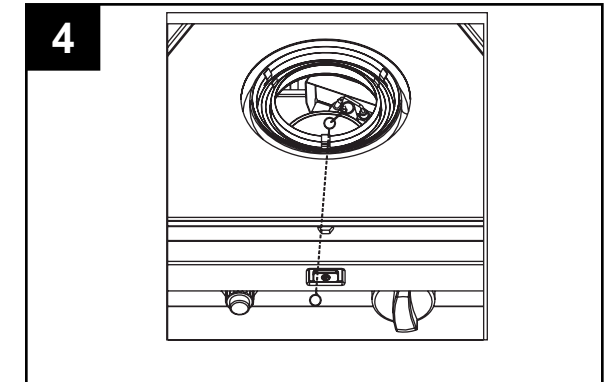
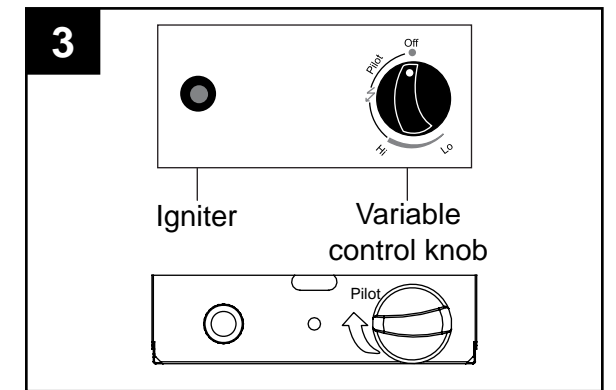
**Note:** For initial start or after any cylinder change, hold control knob in for 2 minutes to purge air from gas lines before proceeding.



## OPERATING INSTRUCTIONS

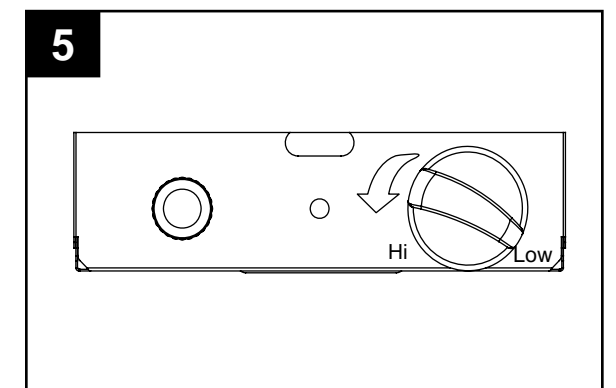
### Lighting (continued):

4. Push and release the igniter button until pilot flame is visible through the glass tube.
5. Once the pilot is lit, continue to depress the control knob for 30 seconds.
6. If the pilot does not stay lit, repeat steps 4 to 6.
7. If after repeating steps 4 to 6 unit does not light, then:
  - Push in control knob and turn counterclockwise to "Pilot".
  - As you are depressing the control knob, place long stem lighter through the glass tube to light the pilot.
  - Repeat step 6.



8. Push in and turn the control knob to the "Hi", then release control knob. If you want a lower temperature, push in the control knob and turn counterclockwise to the "LOW."

**Note:** If pilot fails to remain lit, all valves should be closed and a waiting period of at least 5 minutes should pass before attempting to light.

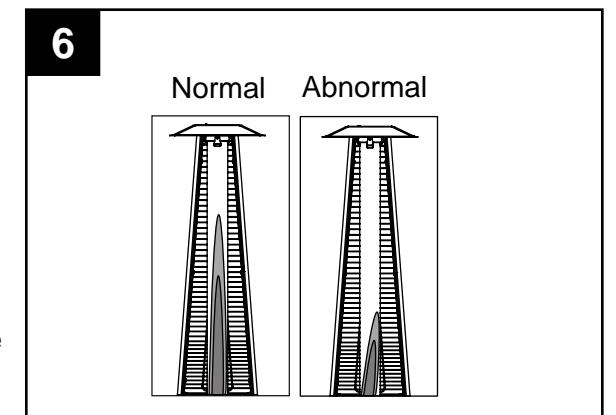


If you experience any ignition problem please consult "Troubleshooting" on page 23.

**Caution:** Avoid inhaling fumes emitted from the heater's first use. Smoke and odor from the burning of oils used in manufacturing will appear. Both smoke and odor will dissipate after approximately 30 minutes. The heater should NOT produce thick black smoke.

**Note:** The burner may be noisy when initially turned on. To eliminate excessive noise from the burner, turn the control knob to the PILOT position. Then, turn the knob to the level of heat desired.

**Note:** In normal conditions, the height of the flame is 2/3 the height of the glass tube when set in "Hi" position and 1/3 the height in "Low". The flame should be stable and bright with no noise or black smoke. The opposite would be abnormal conditions.



## OPERATING INSTRUCTIONS

---

### WARNING

#### FOR YOUR SAFETY

Be careful when attempting to manually ignite this heater. Holding in the control knob for more than 10 seconds before igniting the gas will cause a ball of flame upon ignition.

#### When Heater is ON:

Emitter screen will become bright red due to intense heat. The color is more visible at night. Burner will display tongues of blue and yellow flame. These flames should not be yellow or produce thick black smoke, indicating an obstruction of airflow through the burners. The flame should be blue with straight yellow tops. If excessive yellow flame is detected, turn off heater and consult "Troubleshooting" on page 20.

#### Re-lighting:

**Note:** For your safety, control knob cannot be turned OFF without first depressing control knob in PILOT position and then rotating it to OFF.

1. Turn control knob to OFF.
2. Wait at least 5 minutes, to let gas dissipate, before attempting to relight pilot.
3. Repeat the "Lighting" steps on prior page.

### WARNING

#### FOR YOUR SAFETY

Heater will be hot after use. Handle with extreme care.

#### Shut Down:

1. Turn control knob clockwise to PILOT. (Normally, burner will make a slight popping sound when extinguished.) Burner will extinguish but PILOT will remain ON.
2. To extinguish PILOT, depress control knob and continue to turn it clockwise to OFF.
3. Turn cylinder valve clockwise to OFF and disconnect regulator when heater is not in use.

**Note:** After use, some discoloration of the emitter screen is normal.

## OPERATION CHECKLIST

---

Perform this check before each use.

#### Before Operating:

I am familiar with entire owner's manual and understand all precautions noted.  
All components are properly assembled, intact and operable.  
No alterations have been made.  
All gas connections are secure and do not leak.  
Wind velocity is below 10 mph.  
Unit will operate at reduced efficiency below 40°F.  
Heater is outdoors (outside any enclosure).  
There is adequate fresh air ventilation.

## OPERATING INSTRUCTIONS

---

Heater is away from gasoline or other flammable liquids or vapors.

Heater is away from windows, air intake openings, sprinklers and other water sources.

Heater is at least 24 in. on top and at least 36 in. on sides from combustible materials.

Heater is on a hard and level surface.

There are no signs of spider or insect nests.

All burner passages are clear.

All air circulation passages are clear.

*Children ARE alerted of the hazards of high surface temperatures.*

#### After Operation

1. Gas control is in OFF position.
2. Gas tank valve is OFF.
3. Disconnect gas line.

## CARE AND MAINTENANCE

---

### WARNING

#### FOR YOUR SAFETY:

- Do NOT touch or move heater for at least 45 minutes after use.
- Reflector is hot to the touch.
- Allow reflector to cool before touching.
- Keep exterior surfaces clean.
- Use warm soapy water for cleaning. Never use flammable or corrosive cleaning agents.
- While cleaning your unit, be sure to keep the area around the burner and pilot assembly dry at all times. Do not submerge the control valve assembly. If the gas control is submerged in water, do NOT use it. It must be replaced.
- Keep the appliance area clear and free from combustible materials, gasoline and other flammable vapors and liquids.
- Do not obstruct the flow of combustion and ventilation air.
- Keep the ventilation opening(s) of the cylinder enclosure free and clear from debris.
- Air flow must be unobstructed. Keep controls, burner, and circulating air passageways clean.
- Spiders and insects can nest in burner or orifices. This dangerous condition can damage heater and render it unsafe for use. Clean burner holes by using a heavy-duty pipe cleaner. Compressed air may help clear away smaller particles.
- Carbon deposits may create a fire hazard. Clean dome and burner screen with warm soapy water if any carbon deposits develop.

*Note: In a salt-air environment (such as near an ocean), corrosion occurs more quickly than normal. Frequently check for corroded areas and repair them promptly.*

- Use high-quality automobile wax to help maintain the appearance of the heater. Apply to exterior surfaces from the pole down. Do not apply to emitter screen or domes.

## CARE AND MAINTENANCE

### Between uses:

- Turn Control Knob OFF.
  - Disconnect LP source.
  - Store heater upright in an area sheltered from direct contact with inclement weather (such as rain, sleet, hail, snow, dust and debris).
  - If desired, cover heater to protect exterior surfaces and to help prevent build up in air passages.
- Note: Wait until heater is cool before covering.*

### During periods of extended inactivity or when transporting:

- Turn Control Knob OFF.
  - Disconnect LP source and move to a secure, well-ventilated location outdoors.
  - Store heater upright in an area sheltered from direct contact with inclement weather (such as rain, sleet, hail, snow, dust and debris).
  - If desired, cover heater to protect exterior surfaces and to help prevent build up in air passages.
  - Never leave LP cylinder exposed to direct sunlight or excessive heat.
- Note: Wait until heater is cool before covering.*

### Service

Only a qualified service person should repair gas passages and associated components.

*Caution: Always allow heater to cool before attempting service.*

## TROUBLESHOOTING

PROBLEM	POSSIBLE CAUSE	CORRECTIVE ACTION
Pilot won't light  Note: Heater operates at reduced efficiency below 40°F	<ol style="list-style-type: none"> <li>1. Cylinder valve is closed</li> <li>2. Blockage in orifice or pilot tube</li> <li>3. Air in gas line</li> <li>4. Low gas pressure with cylinder valve fully open</li> <li>5. Igniter fails</li> </ol>	<ol style="list-style-type: none"> <li>1. Open valve</li> <li>2. Clean or replace orifice or pilot tube</li> <li>3. Open gas line and bleed it (pressing control knob in) for not more than 1 - 2 minutes or until you smell gas</li> <li>4. Turn cylinder valve OFF and replace cylinder</li> <li>5. Use match to light pilot; obtain new igniter and replace</li> </ol>
Pilot won't stay lit	<ol style="list-style-type: none"> <li>1. Dirt built up around pilot</li> <li>2. Connection between gas valve and pilot assembly is loose</li> <li>3. Thermocouple is not operating correctly</li> </ol>	<ol style="list-style-type: none"> <li>1. Clean dirt from around pilot</li> <li>2. Tighten connection and perform leak check</li> <li>3. Replace thermocouple</li> </ol>
Burner won't light	<ol style="list-style-type: none"> <li>1. Propane cylinder is frosted over</li> <li>2. Blockage in orifice</li> <li>3. Control knob is not in ON position</li> </ol>	<ol style="list-style-type: none"> <li>1. Wait until the propane cylinder warms up and becomes unfrosted</li> <li>2. Clear blockage</li> <li>3. Turn control knob to ON</li> </ol>
Burner flame is low	<ol style="list-style-type: none"> <li>1. Gas pressure is low</li> <li>2. Outdoor temperature is less than 40°F and tank is less than 1/4 full</li> <li>3. Control knob fully ON</li> <li>4. Spiders and insects nest in burner or orifices</li> </ol>	<ol style="list-style-type: none"> <li>1. Turn cylinder valve OFF and replace cylinder</li> <li>2. Use a full cylinder</li> <li>3. Check burner and orifices for blockage</li> <li>4. Clean burner and orifices</li> </ol>
Thick black smoke	Blockage in burner	Remove blockage and clean burner inside and outside
Gas odor with extreme yellow tipping of flame	Spiders and insects nest in burner or orifices	Clean burner and orifices
Heater glow is excessively uneven	Spiders and insects nest in burner or orifices	Clean burner and orifices
Heater makes popping noises	Spiders and insects nest in burner or orifices	Clean burner and orifices
Carbon build-up	Dirt or film on reflector and burner screen	Clean reflector and burner screen

## WARRANTY

### CUSTOMERS IN USA

Do not return this product to the store where you purchased it. Please call 1-888-775-1330 for assistance.

### CUSTOMERS IN CANADA

Only return this product to the store if it was purchased within 90 days. If you have problems after 90 days of purchase, please CALL 1-888-775-1330. DATED PROOF OF PURCHASE REQUIRED FOR WARRANTY SERVICE.

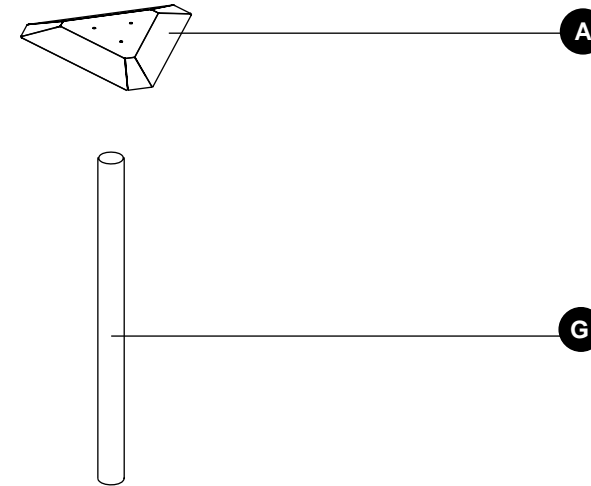
This product is inspected, tested and carefully packaged to minimize the chance of damage during shipment. If a part (excluding light bulbs and fuses\*) within one year from the date of purchase proves to be defective in material or fabrication under normal use, the part will be repaired or replaced. The Company's obligation under the warranty is to replace or repair defective parts at our discretion. Any expenses or damage resulting from the installation, removal or transportation of the product will be the responsibility of the owner and are not covered by this warranty. The owner assumes all other risks arising out from the use or misuse of the product. The warranty will be void if the product damage or failure is deemed by the Company to be caused by accident, alteration, misuse, abuse, incorrect installation or removal, or connection to an incorrect power source by the owner. The Company neither assumes, nor authorizes any person or entity to assume for it any obligation or liability associated with its products.

\* Light bulbs and fuses are not covered under this warranty.

If you have any questions regarding the warranty or service, please call our toll free number: 1-888-775-1330

## REPLACEMENT PARTS LIST

For replacement parts, call our customer service department at 1-888-775-1330, 8 a.m. - 4 p.m., PST, Monday - Friday.



PART	DESCRIPTION	PART #
A	Reflector Shield	383826-A
G	Glass Tube	383826-G
	Hardware Pack	328157-THP-MBS