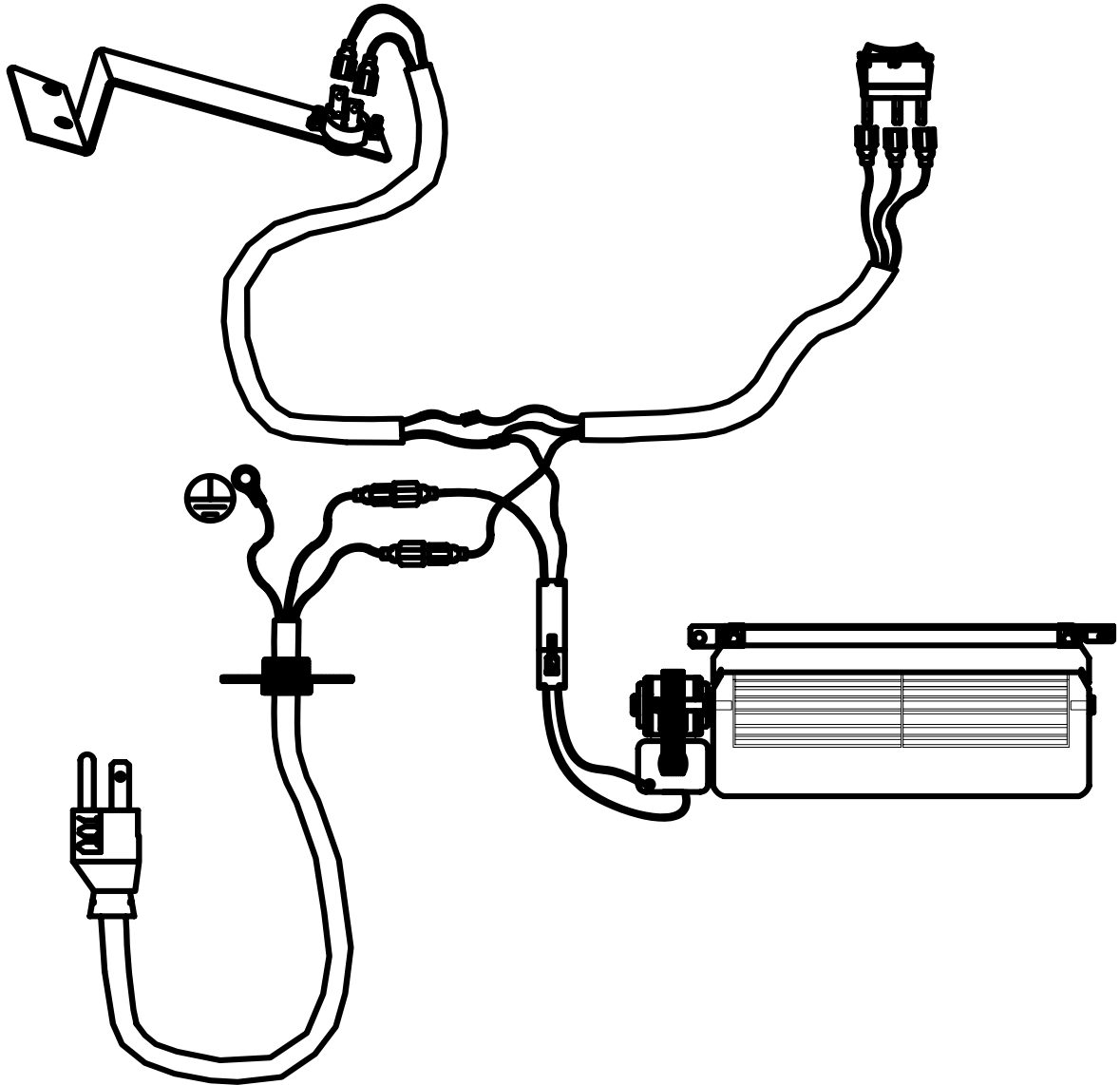




ITEM #0293810  
**BLOWER ACCESSORY**

MODEL #FIB100

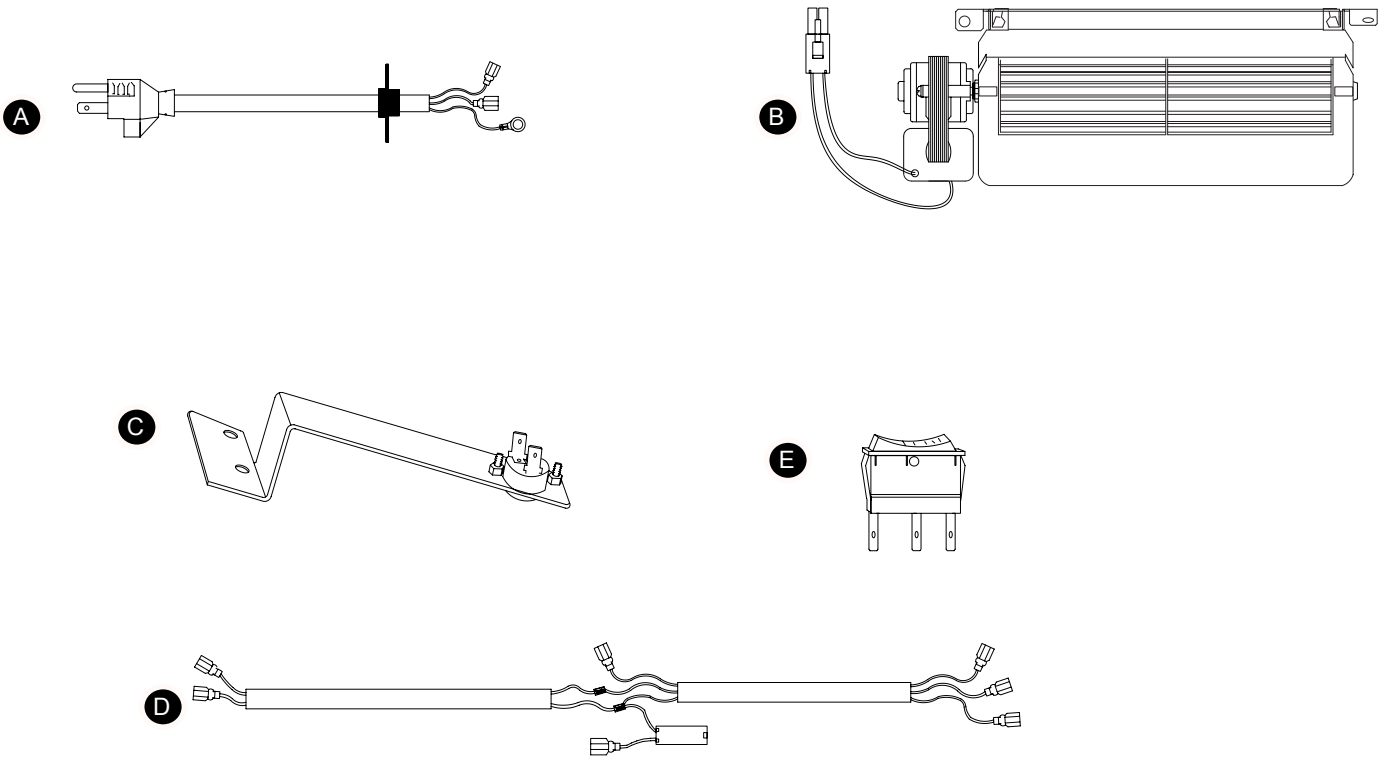
Español p. 17



**Questions, problems, missing parts?** Before returning to your retailer, call our customer service department at 1-877-886-5989, 8:00 a.m - 4:30 p.m., EST, Monday - Friday or e-mail [customerservice@usaprocom.com](mailto:customerservice@usaprocom.com).

## PACKAGE CONTENTS

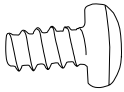
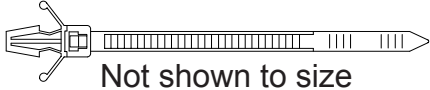
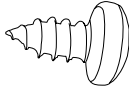
---



PART	DESCRIPTION	Quantity
A	Power Cord	1
B	Blower	1
C	Temperature Sensor	1
D	Connect Wire	1
E	Rocker Switch	1

## HARDWARE CONTENTS

---

Part	Description	Quantity	Picture (Shown to size)
AA	M4.2X8 Screw	6	
BB	Cable Tie	6	 Not shown to size
CC	M4.0X8 Screw	1	

## WARNINGS AND CAUTIONS

---

### WARNING

- Read all instructions and warnings carefully before starting installation. Failure to follow these instructions may result in a possible electric shock, fire hazard and will void the warranty.
- Read all instructions before using this appliance.
- If possible always unplug this appliance when not in use.
- Do not operate any heater with a damaged cord or plug or after the appliance malfunctions, has been dropped or damaged in any manner.
- Any repairs to this appliance should be carried out by a qualified service person.
- Under no circumstances should this appliance be modified. Parts having to be removed for servicing must be replaced prior to operating this appliance again.
- Do not use outdoors.
- Never locate this appliance where it may fall into a bathtub or other water container.
- Do not run cord under carpeting. Do not cover cord with throw rugs, runners or the like. Arrange cord away from traffic areas and where it will not be tripped over.
- To disconnect this appliance, turn controls to the off position, then remove plug from outlet.
- Connect to properly grounded outlets only.
- This appliance, when installed must be electrically grounded in accordance with local codes, with the current CSA C22.1 Canadian Electrical codes or for USA installations, follow local codes and the National Electric Code, ANSI/NFPA No. 70.
- Do not insert or allow foreign objects to enter any ventilation or exhaust opening as this may cause an electric shock, fire or damage the appliance.
- To prevent possible fire, do not block air intakes or exhaust in any manner.
- Use this appliance only as described in this manual. Any other use not recommended by the manufacturer may cause fire, electric shock or injury to persons.
- Avoid the use of an extension cord because of the risk of overheating the cord and the risk of fire. Extension cords are for temporary use only. If an extension cord must be used, it must be UL/CSA certified, rated at 10A (1250W), 125V maximum with 16 AWG minimum and constructed of two current carrying conductors with ground. A heavy duty extension cord with the shortest length possible for the connection is recommended and must not be longer than 50 ft. (15.2 m). Do not coil or cover the extension cord.

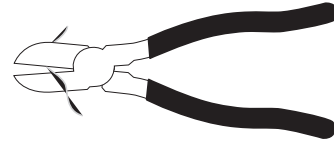
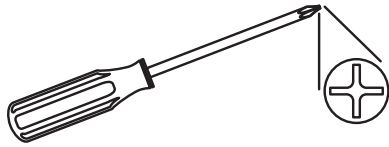
## PREPARATION

---

Before beginning assembly of product, make sure all parts are present. Compare parts with package contents list. If any part is missing or damaged, do not attempt to assemble the product. Contact customer service for replacement parts.

Estimated Assembly Time: 30 minutes

Tools Required for Assembly: Philips Screwdriver and Wire Cutter



## ASSEMBLY INSTRUCTIONS

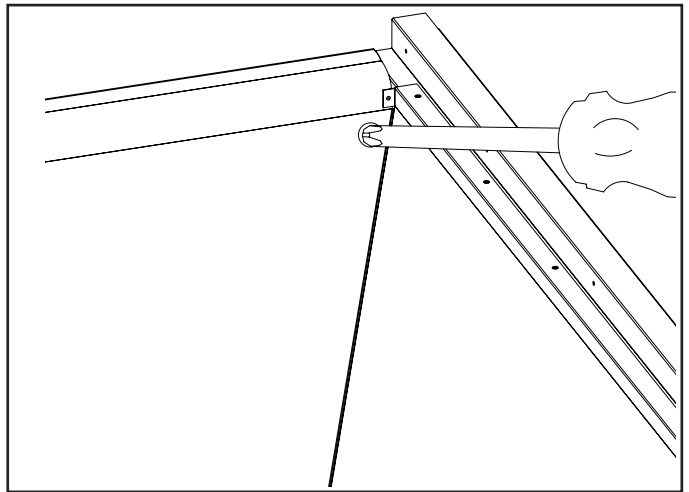
---

This blower contains assembly instructions for the following models and item numbers. For the CRHFD28TCM-6-AU (Item # 0309527), CRHFD32RT-M-MO, FBD28 and FBD32 series, PC32VFC and PC36VFC

**!** Before installing the blower, be certain to turn off the unit, and allow time for unit to cool down.

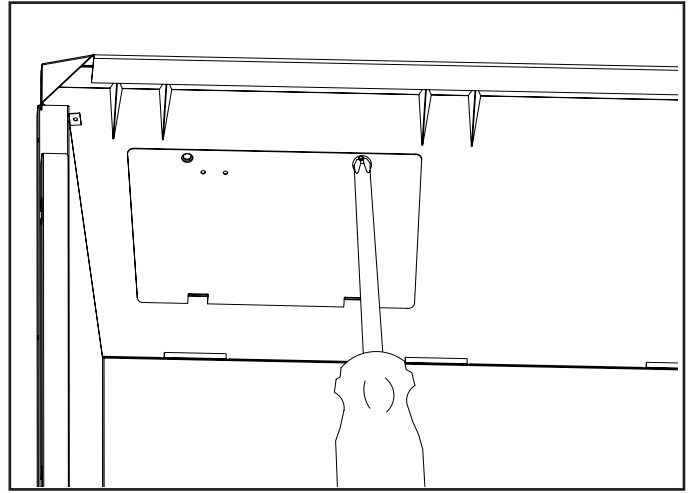
1. Remove upper fire box by unscrewing left/right screws on the fire box. See Fig. 1.

Fig. 1



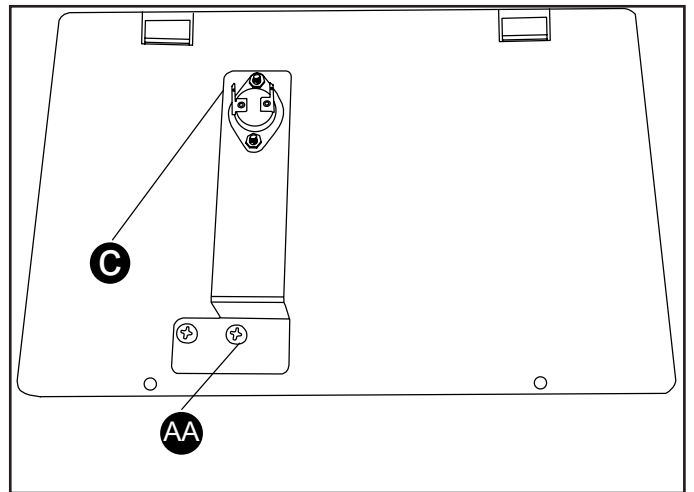
2. Unscrew two screws on heat insulation board cover and draw it out. See Fig. 2.

Fig. 2



3. Affix temperature sensor to heat insulation board cover with M4.2X8 screws (AA). See Fig. 3.

Fig. 3

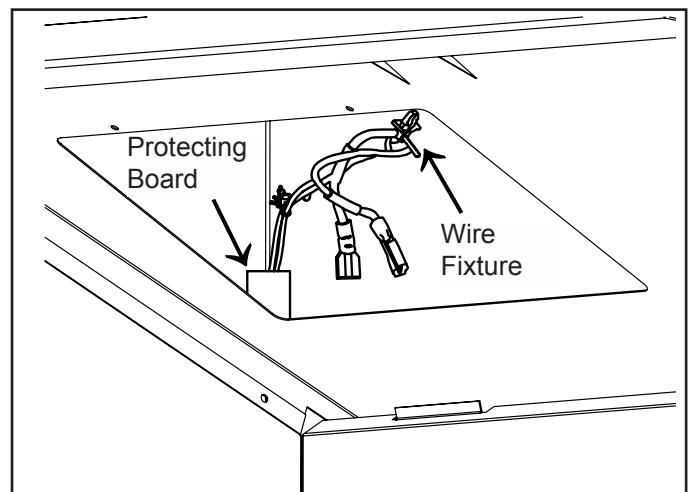


**Hardware Used**

- AA M4.2X8 screw  x2

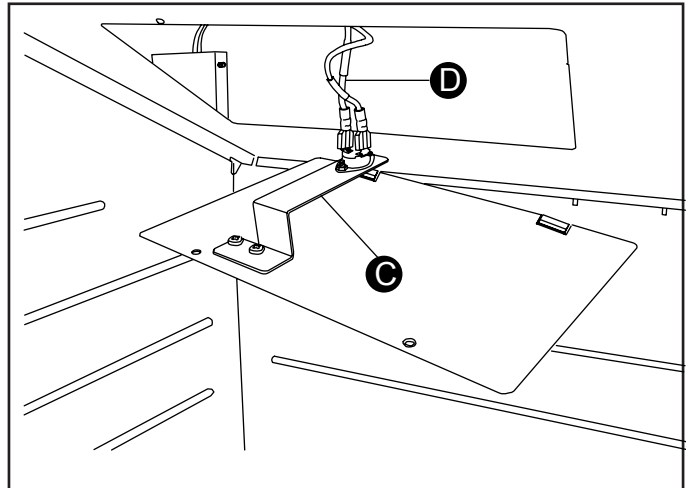
4. Insert wires into the space between wire protecting board and shell; Fix the wires to the top cover with wire fixture. See Fig. 4.

Fig. 4



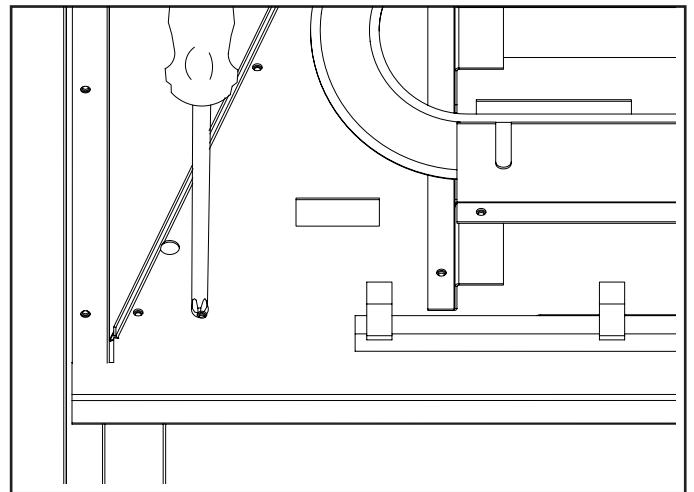
5. Connect temperature sensor (C) with connect wire (D). Install the cover according to Figure 2, then fix the upper fire box according to Fig. 1. See Fig. 5.

Fig. 5



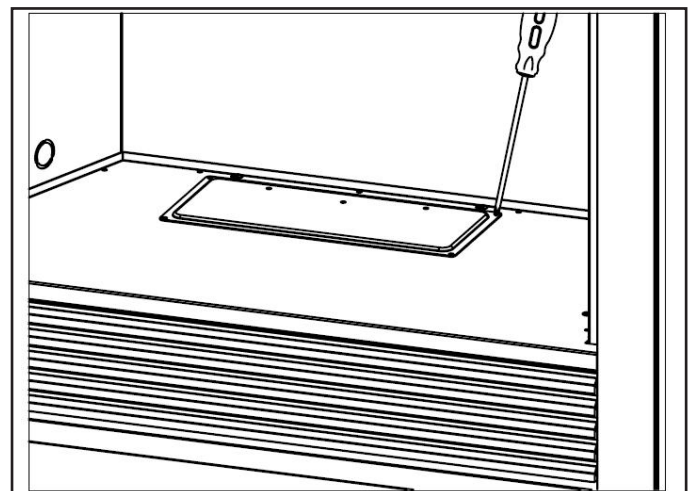
6. Unscrew and remove panel on the left side. See Fig. 6. (For Model # CRHFD32RT-M-MO (Item # 0293807), FBD32 series only)

Fig. 6



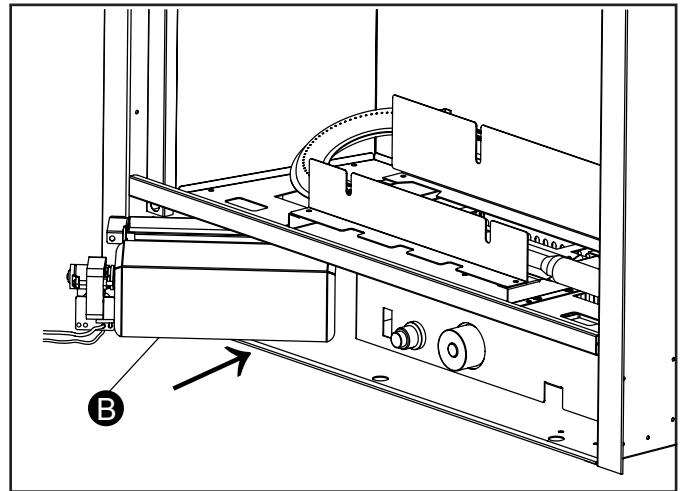
7. Remove blower access panel. See Fig. 7. (For PC32VFC and PC36VFC series only)

Fig. 7



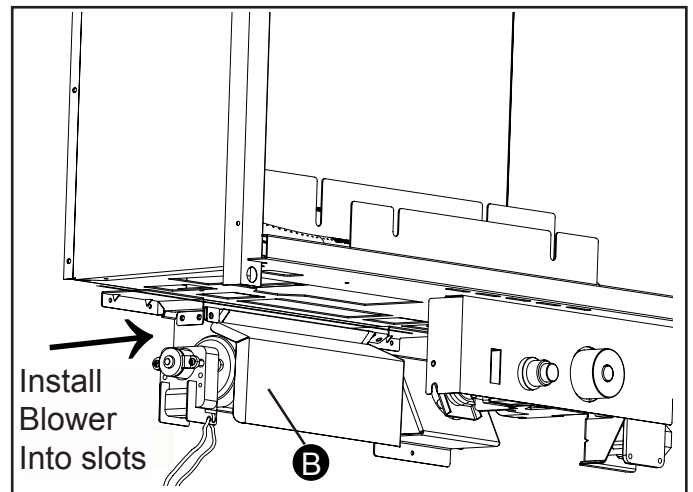
8. Insert blower (B) into the bottom space of burner pan. Pay attention not to touch wires inside. See Fig.8.

Fig. 8



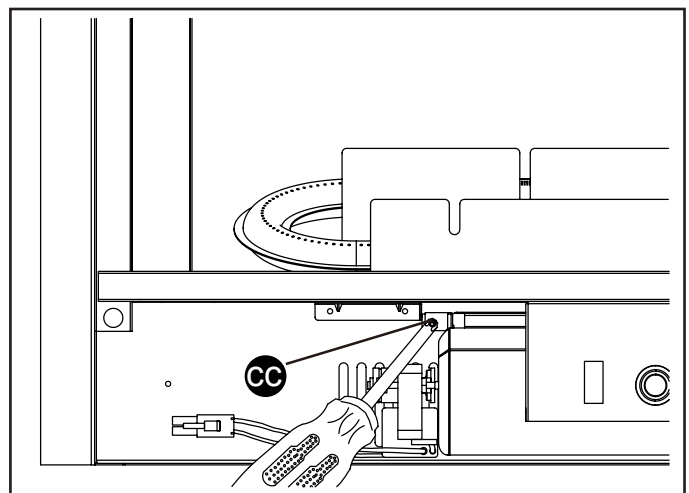
9. Set blower (B) plane and fix it onto two brackets of shell board. Make sure blower (B) is installed into the slots. See Fig. 9.

Fig. 9



10. Affix blower (B) with M4.0X8 screws (CC), after, manually install it into slots. See Fig. 10.

Fig. 10



#### Hardware Used



M4.0X8 screw



x1

Fig. 11

11. Mount blower onto blower access panel. See Fig. 11. (For PC32VFC and PC36VFC series only).

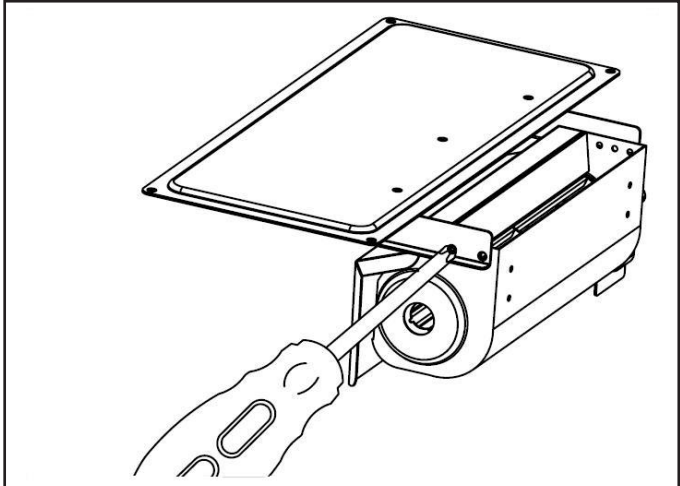
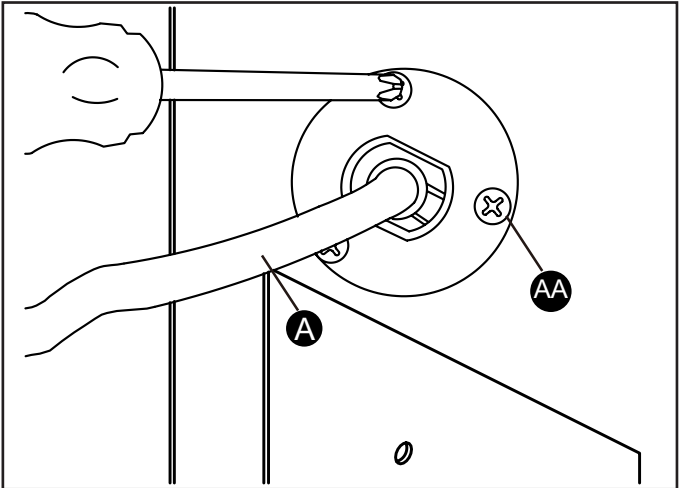


Fig. 12

12. Attach the power cord (A) to the fireplace with M4.2X8 screws (AA) on the top cover. See Fig. 12.

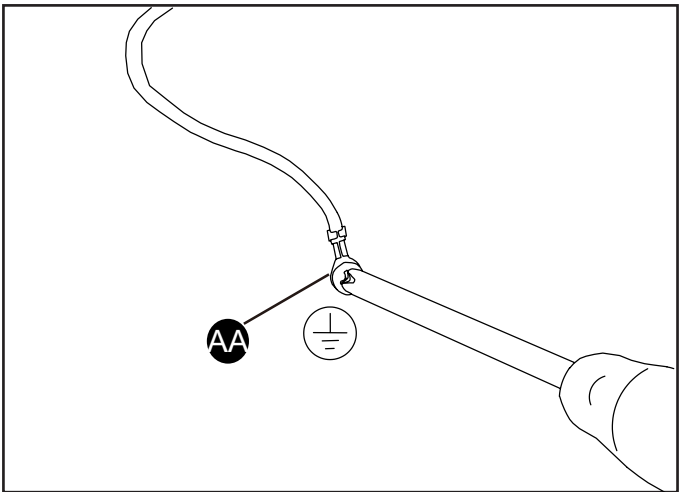


**Hardware Used**

- AA M4.2X8 screws  x3

Fig. 13

13. Affix the grounding terminal with M4.2X8 screw (AA). See Fig. 13.



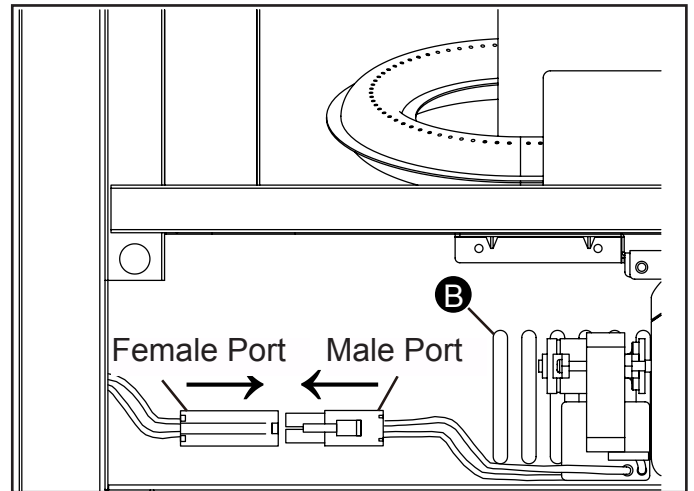
**Hardware Used**

- AA M4.2X8 screw  x1



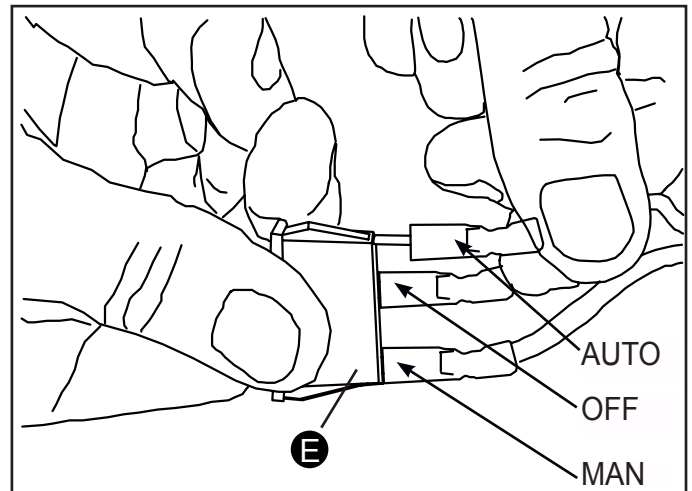
14. Insert the male port of blower (B) and in to the corresponding female port.  
See Fig. 14.

Fig. 14



15. Connect the port and shell board with linker (male port) into the three wires with protecting jacket (please refer to linker (female port) (red, yellow and black) with grounding label); Put protecting jacket into rocker switch (E) corresponding. See Fig. 15.

Fig. 15



16. Push the rocker switch into the hole on the panel. See Fig. 16.

Fig. 16

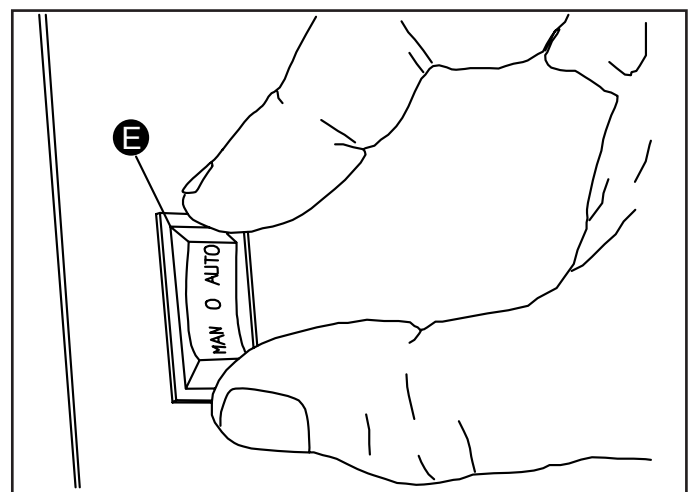


Fig. 17

17. Push the rocker switch into the hole on the panel. See Fig. 17. (For PC32VFC and PC36VFC series only).

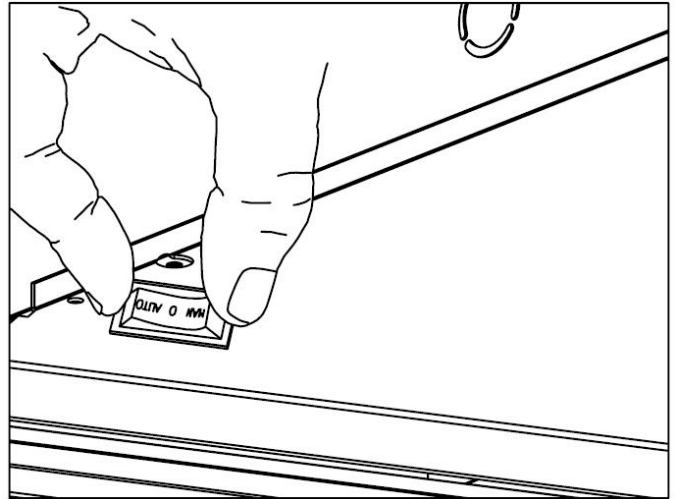


Fig. 18

18. Insert the male port, which is on the black power supply wire (marked with P2), into the corresponding female port (marked with P2). See Fig. 18.

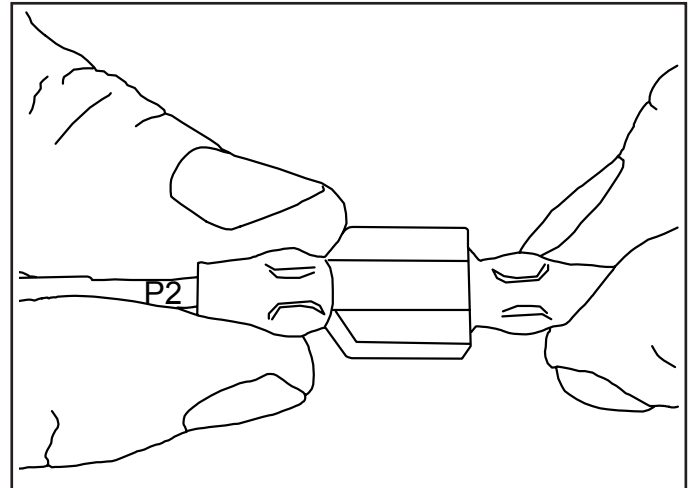
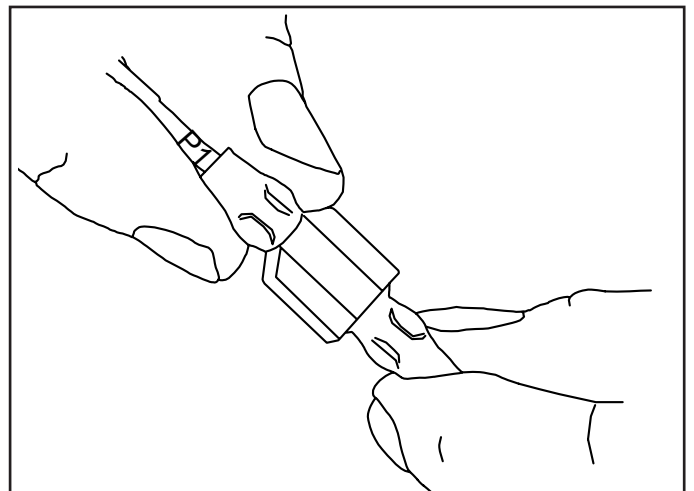
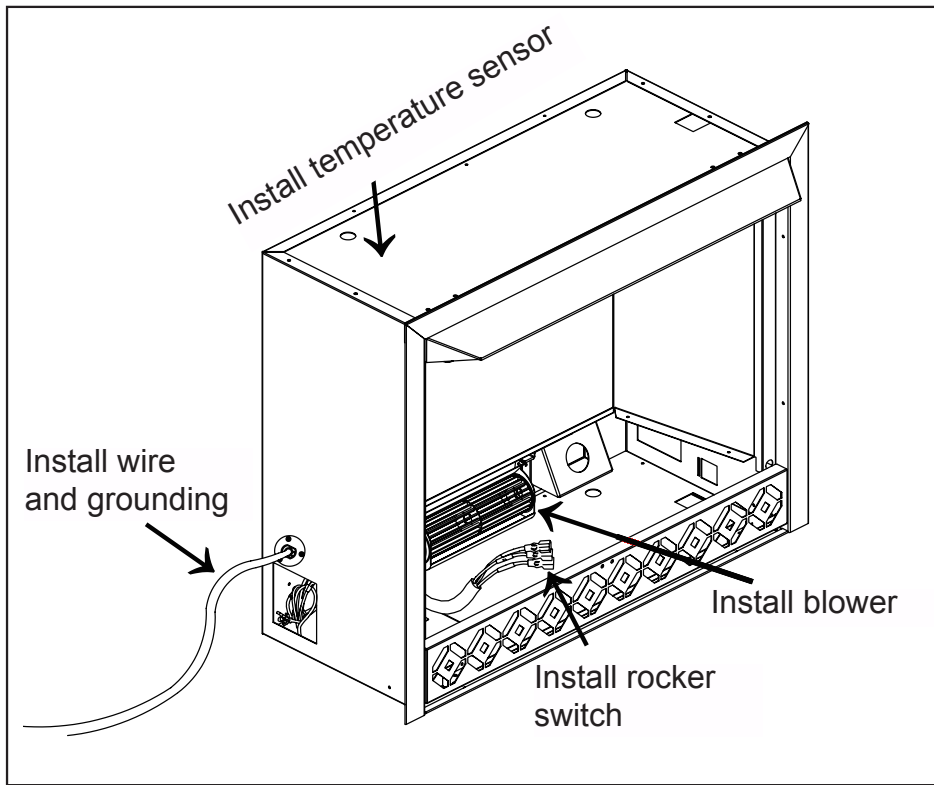


Fig. 19

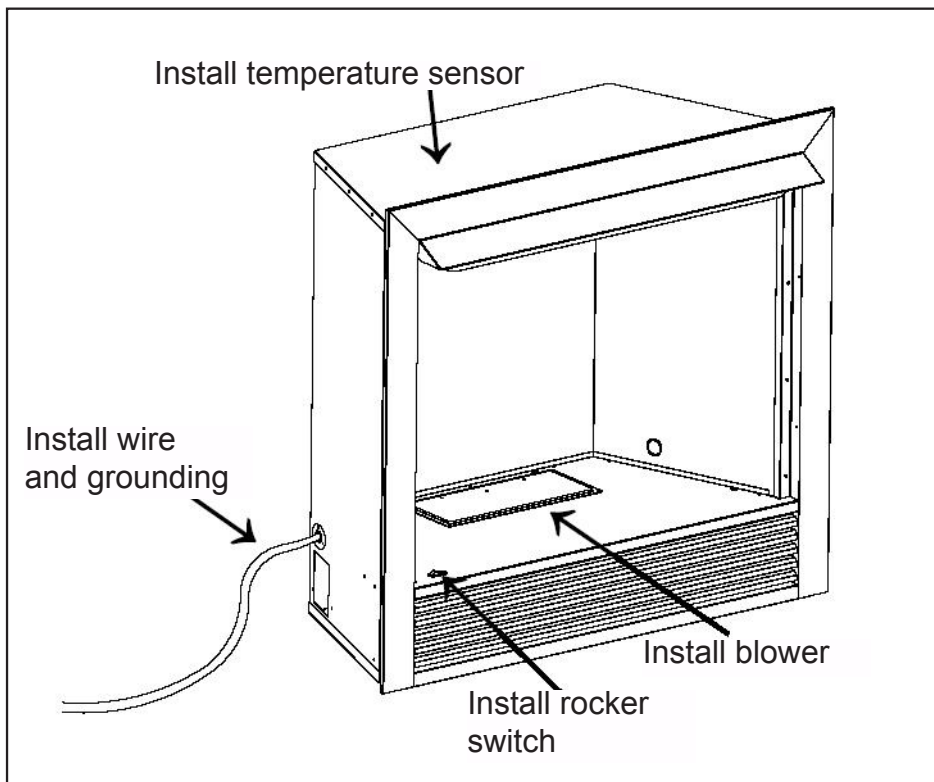
19. Insert the female port, which is on the white power supply wire (marked with P1), into the corresponding male port. (marked with P1). See Fig. 19.



### Installation blower assembly position



### Installation blower assembly position For PC32VFC and PC36VFC series only.



## ELECTRICAL CONNECTION

---

A 15 amp, 120 Volt, 60 Hz circuit with a properly grounded outlet is required. Preferably, the fireplace will be on a dedicated circuit as other appliances on the same circuit may cause the circuit breaker to trip or the fuse to blow when the heater is in operation. Plan the installation to avoid the use of an extension cord. Extension cords are for temporary use only. If an extension cord must be used, it must be UL/CSA certified, rated at 10A (1250W), 125V maximum with 16 AWG minimum and constructed of two current carrying conductors with ground. A heavy duty extension cord with the shortest length possible for the connection is recommended and must not be longer than 50 ft. (15.2 m). Do not coil or cover the extension cord.

**!** Electrical outlet wiring must comply with local building codes and other applicable regulations to reduce the risk of fire, electrical shock and injury to persons.

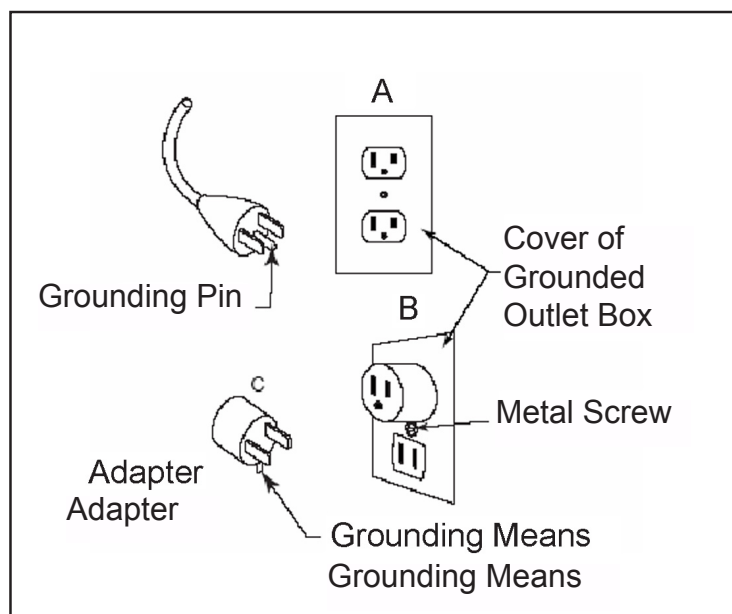
**!** Do not use this fireplace if any part of it has been under water. Immediately call a qualified service technician to inspect the fireplace and replace any part of the electrical system which has been under water.

## GROUNDING INSTRUCTIONS

---

This heater is for use on 120 volts. The cord has a plug as shown at A in Fig. 20. An adapter as shown at C is available for connecting three-blade grounding-type plugs to two-slot receptacles. The green grounding lug extending from the adapter must be connected to a permanent ground such as a properly grounded outlet box. The adapter should not be used if a three-slot grounded receptacle is available.

Fig. 20



## OPERATING INSTRUCTIONS

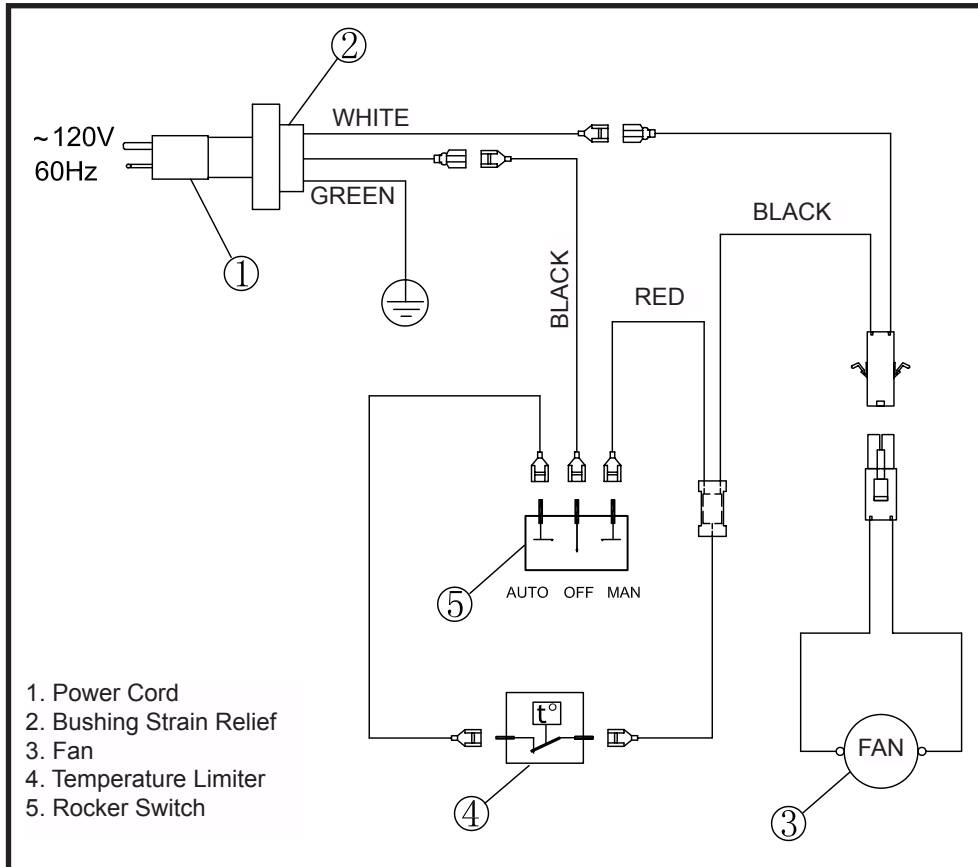
---

Using rocker switch, turn blower on and check for operation. Turn on rocker switch to the desired position. In the **MAN** position it will remain constantly on. **AUTO** position will be controlled by the temperature sensor. To stop the operation turn rocker switch to the **O** position.

## ELECTRICAL WIRING DIAGRAM

Any electrical re-wiring of this appliance must be done by a qualified electrician. This wiring must be done in accordance with local codes and/or in Canada with the current CSA C22.1 Canadian Electrical Code, and for US installations, the National Electrical Code ANSI/NFPA NO 70.

**!** If repairing or replacing any electrical component or wiring, the original wire routing, color coding and securing locations must be followed.



## CARE AND MAINTENANCE

**Always disconnect the appliance from the main power supply and allow it to cool before any servicing operation.**

The motors used on the fan heater and flame blower are pre-lubricated for extended bearing life and require no further lubrication. However, periodic cleaning/vacuuming of the appliance around the air intake and exhaust, as well as the fan heater is recommended. For heavy or continuous use, periodic cleaning must be done more frequently. If the heater blows alternating cold and warm air, check the fan for free movement and for debris restricting air flow. If the fan does not move freely, the unit must be turned off and the fan replaced immediately in order to prevent further damage to the unit.

## **REPLACEMENT PARTS**

---

**NOTE:** Use only original replacement parts. This will protect your warranty coverage for parts replaced under warranty.

### **PARTS UNDER WARRANTY**

Call Customer Service toll free at (1-877-886-5989) for referral information.

When calling Customer Service, have ready:

- Your name
- Your address
- Model and serial number of your heater
- How heater was malfunctioning
- Type of gas used (Propane/LP or Natural gas/NG)
- Purchase date
- Usually, we will ask you to return the defective part to the factory

### **PARTS NOT UNDER WARRANTY**

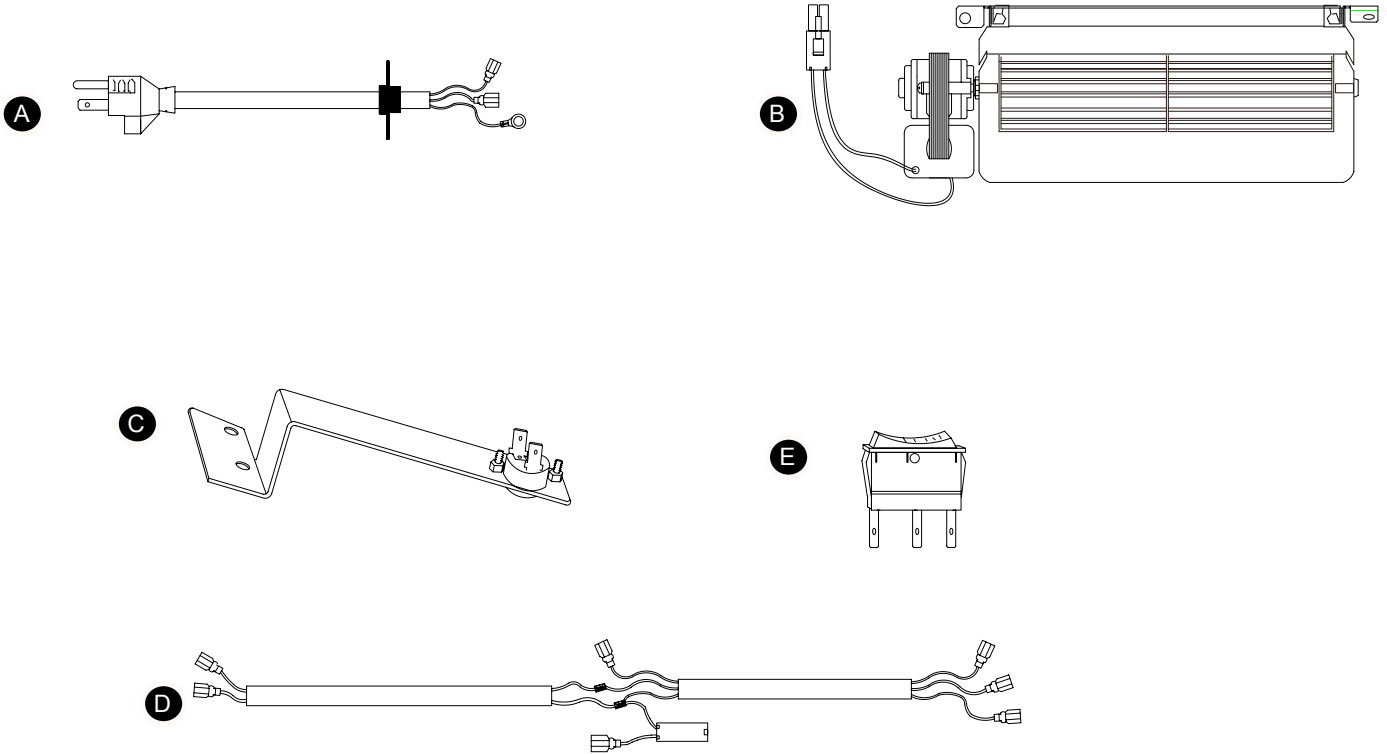
Call Customer Service toll free at (1-877-886-5989) for referral information.

When calling Customer Service have ready:

- Model number of your heater
- The replacement part number

## REPLACEMENT PARTS LIST

For replacement parts, call our customer service department at 1-877-886-5989, 8:00 a.m - 4:30 p.m., EST, Monday - Friday or e-mail [customerservice@usaprocom.com](mailto:customerservice@usaprocom.com).



PART	PART NUMBER	DESCRIPTION	Quantity
A	XB001-01	Power Cord	1
B	XB002-01F	Blower	1
C	XB003-01	Temperature Sensor	1
D	XB004-01F	Connect Wire	1
E	PF06-0400-A	Rocker Switch	1

## WARRANTY INFORMATION

### Keep This Warranty

**IMPORTANT:** We urge you to fill your warranty registration card within TEN(10) days of date of installation, complete with the entire serial number which can be found on the rating plate. Retain this portion of the card for your record.

Always specify model and serial numbers when communicating with customer service.

We reserve the right to amend these specifications at any time without notice. The only warranty applicable is our standard written warranty. We make no other warranty, expressed or implied.

#### **LIMITED WARRANTY:**

PRO-COM warrants this product to be free from defects in materials and components for TWO (2) years from the date of first purchase, provided that the product has been properly installed, operated and maintained in accordance with all applicable instructions, to make a claim under this warranty, the Bill of Sale or cancelled check must be presented.

#### **RESPONSIBILITY OF OWNER**

This warranty is extended only to the original retail purchaser. This warranty covers the cost of part(s) required to restore this heater to proper operating condition and an allowance for labor when provided by a PRO-COM Authorized Service Center. Warranty part(s) MUST be obtained through authorized dealers of this product and/or PRO-COM who will provide original factory replacement parts. Failure to use original factory replacement parts voids this warranty. The heater MUST be installed by a qualified installer in accordance with all local codes and instructions furnished with the unit.

#### **WHAT IS NOT COVERED**

This warranty does not apply to parts that are not in original condition because of normal wear and tear or parts that fail or become damaged as a result of misuse, accidents, lack of proper maintenance or defects caused by improper installation. Travel, diagnostic cost, labor, transportation and any and all such other costs related to repairing a defective heater will be the responsibility of the owner.

TO THE FULL EXTENT ALLOWED BY THE LAW OF THE JURISDICTION THAT GOVERNS THE SALE OF THE PRODUCT, THIS EXPRESS WARRANTY EXCLUDES ANY AND ALL OTHER EXPRESSED WARRANTIES AND LIMITS THE DURATION OF ANY AND ALL IMPLIED WARRANTIES. INCLUDING WARRANTIES OF MERCHANTABILITY AND FITNESS FOR A PARTICULAR PURPOSE TO TWO (2) YEARS ON ALL COMPONENTS FROM THE DATE OF FIRST PURCHASE. PRO-COM'S LIABILITY IS HEREBY LIMITED TO THE PURCHASE PRICE OF THE PRODUCT AND PRO-COM SHALL NOT BE LIABLE FOR ANY OTHER DAMAGES WHATSOEVER INCLUDING INDIRECT, INCIDENTAL OR CONSEQUENTIAL DAMAGES.

Some states do not allow a limitation on how long an implied warranty lasts or an exclusion or limitation of accidental or consequential damages, the above limitation on implied warranties, or exclusion or limitation on damages may not apply to you.

This warranty gives you specific legal right, and you may also have other rights that vary from state to state.

Printed in China