

# ESOTERIC

*Grandioso M1*  
*Monoblock Amplifier*

OWNER'S MANUAL.....	3
MODE D'EMPLOI.....	17
MANUAL DEL USUARIO.....	29



# IMPORTANT SAFETY INSTRUCTIONS

**CAUTION**

**RISK OF ELECTRIC SHOCK**

**DO NOT OPEN**

CAUTION: TO REDUCE THE RISK OF ELECTRIC SHOCK, DO NOT REMOVE COVER (OR BACK). NO USER-SERVICEABLE PARTS INSIDE. REFER SERVICING TO QUALIFIED SERVICE PERSONNEL.



The lightning flash with arrowhead symbol, within an equilateral triangle, is intended to alert the user to the presence of uninsulated "dangerous voltage" within the product's enclosure that may be of sufficient magnitude to constitute a risk of electric shock to persons.



The exclamation point within an equilateral triangle is intended to alert the user to the presence of important operating and maintenance (servicing) instructions in the literature accompanying the appliance.

**WARNING: TO PREVENT FIRE OR SHOCK HAZARD, DO NOT EXPOSE THIS APPLIANCE TO RAIN OR MOISTURE.**

## CAUTION

- DO NOT REMOVE THE EXTERNAL CASES OR CABINETS TO EXPOSE THE ELECTRONICS. NO USER SERVICEABLE PARTS ARE INSIDE.
- IF YOU ARE EXPERIENCING PROBLEMS WITH THIS PRODUCT, CONTACT THE STORE WHERE YOU PURCHASED THE UNIT FOR A SERVICE REFERRAL. DO NOT USE THE PRODUCT UNTIL IT HAS BEEN REPAIRED.
- USE OF CONTROLS OR ADJUSTMENTS OR PERFORMANCE OF PROCEDURES OTHER THAN THOSE SPECIFIED HEREIN MAY RESULT IN HAZARDOUS RADIATION EXPOSURE.

**IN USA/CANADA, USE ONLY ON 120 V SUPPLY.**

## Model for USA

This equipment has been tested and found to comply with the limits for a Class B digital device, pursuant to Part 15 of the FCC Rules. These limits are designed to provide reasonable protection against harmful interference in a residential installation. This equipment generates, uses, and can radiate radio frequency energy and, if not installed and used in accordance with the instructions, may cause harmful interference to radio communications. However, there is no guarantee that interference will not occur in a particular installation. If this equipment does cause harmful interference to radio or television reception, which can be determined by turning the equipment off and on, the user is encouraged to try to correct the interference by one or more of the following measures:

- Reorient or relocate the equipment and/or the receiving antenna.
- Increase the separation between the equipment and receiver.
- Connect the equipment into an outlet on a circuit different from that to which the receiver is connected.
- Consult the dealer or an experienced radio/TV technician for help.

## CAUTION

Changes or modifications to this equipment not expressly approved by TEAC CORPORATION for compliance will void the user's warranty.

## Model for Canada

Industry Canada's Compliance Statement:

This Class B digital apparatus complies with Canadian ICES-003.  
Cet appareil numérique de la classe B est conforme à la norme NMB-003 du Canada.

## China RoHS (电子信息产品污染控制管理办法)

- The information in the following table is only applicable to products for sale in the People's Republic of China.
- The products sold in the European area are manufactured in accordance with the European RoHS Directive.

产品有毒有害物质或元素的名称及含量

机种: Grandioso M1		有毒有害物质或元素					
品名		铅 (Pb)	汞 (Hg)	镉 (Cd)	六价铬 (Cr(VI))	多溴联苯 (PBB)	多溴二苯醚 (PBDE)
1	CHASSIS部份	×	○	○	○	○	○
2	PANEL部份	○	○	○	○	○	○
3	FOOT部份	○	○	○	○	○	○
4	螺丝部份	○	○	○	○	○	○
5	PCB Assy部份	×	○	○	○	○	○
6	线材部份	○	○	○	○	○	○
7	SEAL部份	○	○	○	○	○	○
8	AC CORD部份	×	○	○	○	○	○
9	附属品部份	○	○	○	○	○	○
10	包装部份	○	○	○	○	○	○

○: 表示该有毒有害物质在该部件所有均质材料中的含量均在 SJ/T11363-2006 标准规定的限量要求以下。  
 ×: 表示该有毒有害物质至少在该部件的某一均质材料中的含量超出 SJ/T11363-2006 标准规定的限量要求。  
 (针对现在代替技术困难的电子部品及合金中的铅)

# IMPORTANT SAFETY INSTRUCTIONS (continued)

- 1) Read these instructions.
- 2) Keep these instructions.
- 3) Heed all warnings.
- 4) Follow all instructions.
- 5) Do not use this apparatus near water.
- 6) Clean only with dry cloth.
- 7) Do not block any ventilation openings. Install in accordance with the manufacturer's instructions.
- 8) Do not install near any heat sources such as radiators, heat registers, stoves, or other apparatus (including amplifiers) that produce heat.
- 9) Do not defeat the safety purpose of the polarized or grounding-type plug. A polarized plug has two blades with one wider than the other. A grounding type plug has two blades and a third grounding prong. The wide blade or the third prong are provided for your safety. If the provided plug does not fit into your outlet, consult an electrician for replacement of the obsolete outlet.
- 10) Protect the power cord from being walked on or pinched particularly at plugs, convenience receptacles, and the point where they exit from the apparatus.
- 11) Only use attachments/accessories specified by the manufacturer.

- 12) Use only with the cart, stand, tripod, bracket, or table specified by the manufacturer, or sold with the apparatus. When a cart is used, use caution when moving the cart/apparatus combination to avoid injury from tip-over.



- 13) Unplug this apparatus during lightning storms or when unused for long periods of time.
- 14) Refer all servicing to qualified service personnel. Servicing is required when the apparatus has been damaged in any way, such as power-supply cord or plug is damaged, liquid has been spilled or objects have fallen into the apparatus, the apparatus has been exposed to rain or moisture, does not operate normally, or has been dropped.
  - The apparatus draws nominal non-operating power from the AC outlet with its POWER or STANDBY/ON switch not in the ON position.
  - The mains plug is used as the disconnect device, the disconnect device shall remain readily operable.
  - Caution should be taken when using earphones or headphones with the product because excessive sound pressure (volume) from earphones or headphones can cause hearing loss.

## CAUTION

- Do not expose this apparatus to drips or splashes.
- Do not place any objects filled with liquids, such as vases, on the apparatus.
- Do not install this apparatus in a confined space such as a book case or similar unit.
- The apparatus should be located close enough to the AC outlet so that you can easily reach the power cord plug at any time.
- If the product uses batteries (including a battery pack or installed batteries), they should not be exposed to sunshine, fire or excessive heat.
- CAUTION for products that use replaceable lithium batteries: there is danger of explosion if a battery is replaced with an incorrect type of battery. Replace only with the same or equivalent type.

## WARNING

Products with Class I construction are equipped with a power supply cord that has a grounding plug. The cord of such a product must be plugged into an AC outlet that has a protective grounding connection.


ESOTERIC is a trademark of TEAC CORPORATION, registered in the U.S. and other countries.

MEXCEL is a registered trademark of Mitsubishi Cable Industries, Ltd. in Japan and other countries.


Other company names, product names and logos in this document are the trademarks or registered trademarks of their respective owners.

## For European Customers

### Disposal of electrical and electronic equipment

- (a) All electrical and electronic equipment should be disposed of separately from the municipal waste stream via collection facilities designated by the government or local authorities.
- (b) By disposing of electrical and electronic equipment correctly, you will help save valuable resources and prevent any potential negative effects on human health and the environment.
- (c) Improper disposal of waste electrical and electronic equipment can have serious effects on the environment and human health because of the presence of hazardous substances in the equipment.
- (d) The Waste Electrical and Electronic Equipment (WEEE) symbol, which shows a wheeled bin that has been crossed out, indicates that electrical and electronic equipment must be collected and disposed of separately from household waste. 
- (e) Return and collection systems are available to end users. For more detailed information about the disposal of old electrical and electronic equipment, please contact your city office, waste disposal service or the shop where you purchased the equipment.

### Disposal of batteries and/or accumulators

- (a) Waste batteries and/or accumulators should be disposed of separately from the municipal waste stream via collection facilities designated by the government or local authorities.
- (b) By disposing of waste batteries and/or accumulators correctly, you will help save valuable resources and prevent any potential negative effects on human health and the environment.
- (c) Improper disposal of waste batteries and/or accumulators can have serious effects on the environment and human health because of the presence of hazardous substances in them.
- (d) The WEEE symbol, which shows a wheeled bin that has been crossed out, indicates that batteries and/or accumulators must be collected and disposed of separately from household waste.   
**Pb, Hg, Cd**
- If a battery or accumulator contains more than the specified values of lead (Pb), mercury (Hg), and/or cadmium (Cd) as defined in the Battery Directive (2006/66/EC), then the chemical symbols for those elements will be indicated beneath the WEEE symbol.
- (e) Return and collection systems are available to end users. For more detailed information about the disposal of waste batteries and/or accumulators, please contact your city office, waste disposal service or the shop where you purchased them.

### DECLARATION OF CONFORMITY

We, TEAC AUDIO EUROPE, Liegnitzer Straße 6, 82194 Gröbenzell, Germany declare in own responsibility, the TEAC product described in this manual is in compliance with the corresponding technical standards.



Thank you for purchasing this Esoteric product.  
Read this manual carefully to get the best performance from this unit.

IMPORTANT SAFETY INSTRUCTIONS .....	3
Before use .....	6
What's in the box .....	6
Precautions for use .....	7
About the power cord support bracket .....	7
Note about pinpoint feet .....	7
Connecting speakers .....	8
Connections .....	9
Names and functions of parts .....	10
Basic operation .....	12
Notes about the protection circuits .....	13
Maintenance .....	13
Troubleshooting .....	14
Specifications .....	15
Dimensional drawings .....	16

## What's in the box

Check to be sure the box includes all the supplied accessories shown below. Please contact the store where you purchased this unit if any of the accessories are missing or have been damaged.

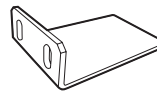
**Power cord × 1**

**Felt pads × 4**



**Power cord support bracket × 1**

**Screws for power cord support bracket × 2**



**Owner's manual (this document) × 1**

**Warranty card × 1**

- After reading this manual, keep it in a safe place with the warranty card for future reference.

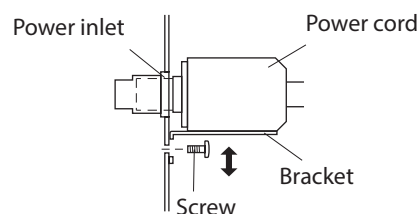
## Precautions for use

- This unit is very heavy, so take care to avoid injury during installation.
- Do not install this unit in a location that could become hot. This includes places that are exposed to direct sunlight or near a radiator, heater, stove or other heating equipment. Moreover, do not place it on top of another amplifier or equipment that generates heat.
- Avoid locations that are subject to vibrations or exposed to excessive dust, cold or moisture.
- This unit generates more heat than ordinary power amplifiers. When installing it, install it by itself at least 20 cm (8") from walls and other equipment.  
If you put it in a rack, take precautions to prevent overheating by using a rack with ventilation openings, for example, and leaving at least 20 cm (8") open above the top of the unit and at least 10 cm (4") open behind the unit.
- Do not install it face up or on its side.
- Place the unit in a stable location near the audio system that you will use with it.
- DO NOT place anything, not even CDs, CD-Rs, LP records or cassette tapes, on top of the unit. Doing so could cause damage.
- Do not put cloth on top of the unit or place the unit on top of bedding or thick carpet. Doing so could cause the unit to overheat or damage it.
- Supply voltage to the unit that matches the voltage indicated on the rear panel. If you are in any doubt regarding this matter, consult an electrician.
- Do not move the unit during use.
- Do not open the body of the unit as doing so might result in damage to the circuitry or cause electric shock. If a foreign object should get into the unit, contact your dealer.
- When removing the power plug from an outlet, always pull directly on the plug. Never pull on the cord itself.
- If a TV is turned on while the unit is on, static might appear on the TV screen depending on the characteristics of the TV broadcast signal. This is not a malfunction of the unit nor of the TV. If this occurs, turn the unit off.

## About the power cord support bracket

This unit includes a bracket to support heavy power cords, such as the ESOTERIC 7N-PC9500 MEXCEL and 7N-PC7500 and 7N-PC5500 power cords.

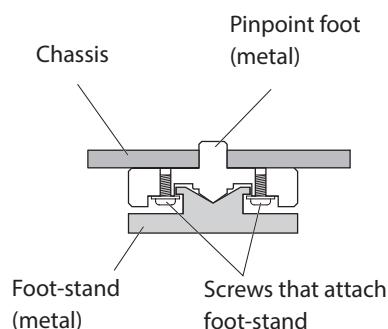
Align it with the power cord being used and attach it, tightening the screws securely.



## Note about pinpoint feet

High-precision metal pinpoint feet are attached firmly to the bottom plate of this unit.

The stands for these feet are loose, but when the unit is placed in position, it is supported by these pinpoint feet, which will effectively disperse vibrations.



- Apply the included felt pads to the bottoms of the foot-stands to avoid scratching the surface where the unit is placed.

# Connecting speakers

## Notes about speaker cables

- Use commercially-available speaker cables to connect the speakers.
- Use the shortest speaker cables possible. The longer the cable, the greater the resistance value and the more that damping performance is reduced. Moreover, length also increases impedance and capacitance, degrading the sound quality of high frequencies.
- Use left and right speaker cables that have the same length.

## How to connect speaker cables

Use commercially-available speaker cables to connect the + terminal of the unit to the + terminal of the speaker and the – terminal of the unit to the – terminal of the speaker.

- Use speakers with at least 4  $\Omega$  impedance.
- If the exposed tip of the core wire of a speaker cable contacts another cord or terminal, a short could occur. Never allow a speaker cable to short.
- Do not connect more than one amplifier to a speaker.
- Do not bundle connecting cables with power cords. Doing so could cause noise.

**⚠ The power plug should always be disconnected when connecting speaker cables.**

### When using banana plugs

Insert the plug into the opening on the front of the terminal.



- Keep the cap tightened when in use.
- Carefully read the instructions for the banana plugs that you are using.

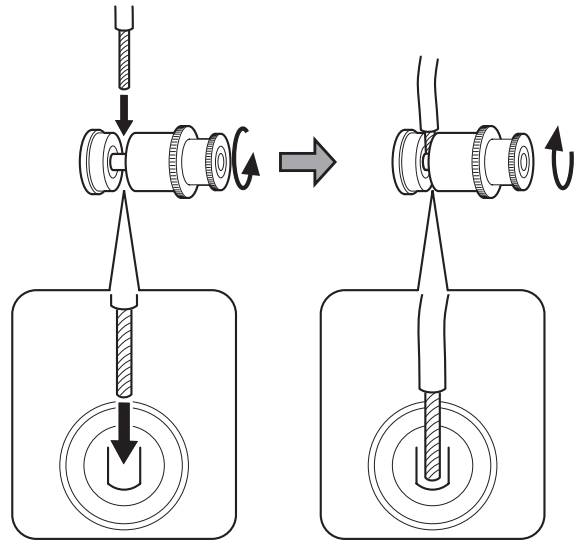
## Notice about the European model

In accordance with European safety regulations, connecting banana plugs to speaker terminals is not allowed on European models. The holes into which banana plugs could be inserted have been covered with black caps. Connect speakers using bare wires or spade lugs. If a black cap should become separated from its terminal, return it to its original position.

### When using bare wires

Loosen the cap, insert the core wire from above and tighten the cap.

- The insertion hole faces up.

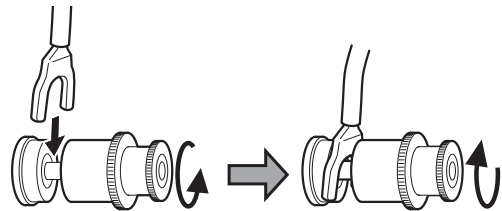


Cross-section

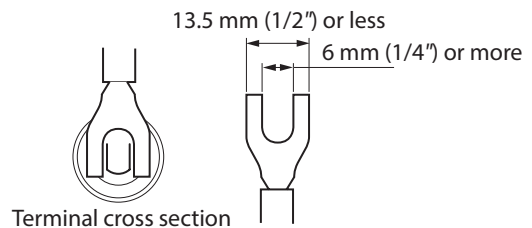
- The maximum wire diameter that can be inserted is 4 mm (1/8").

### When using spade lugs

Loosen the cap, place the lug around the terminal from above or below and tighten the cap.



- When using a spade lug to connect, use one with an external diameter of no more than 13.5 mm (1/2") and an inside diameter of at least 6 mm (1/4").



Terminal cross section



**⚠ Precautions when making connections**

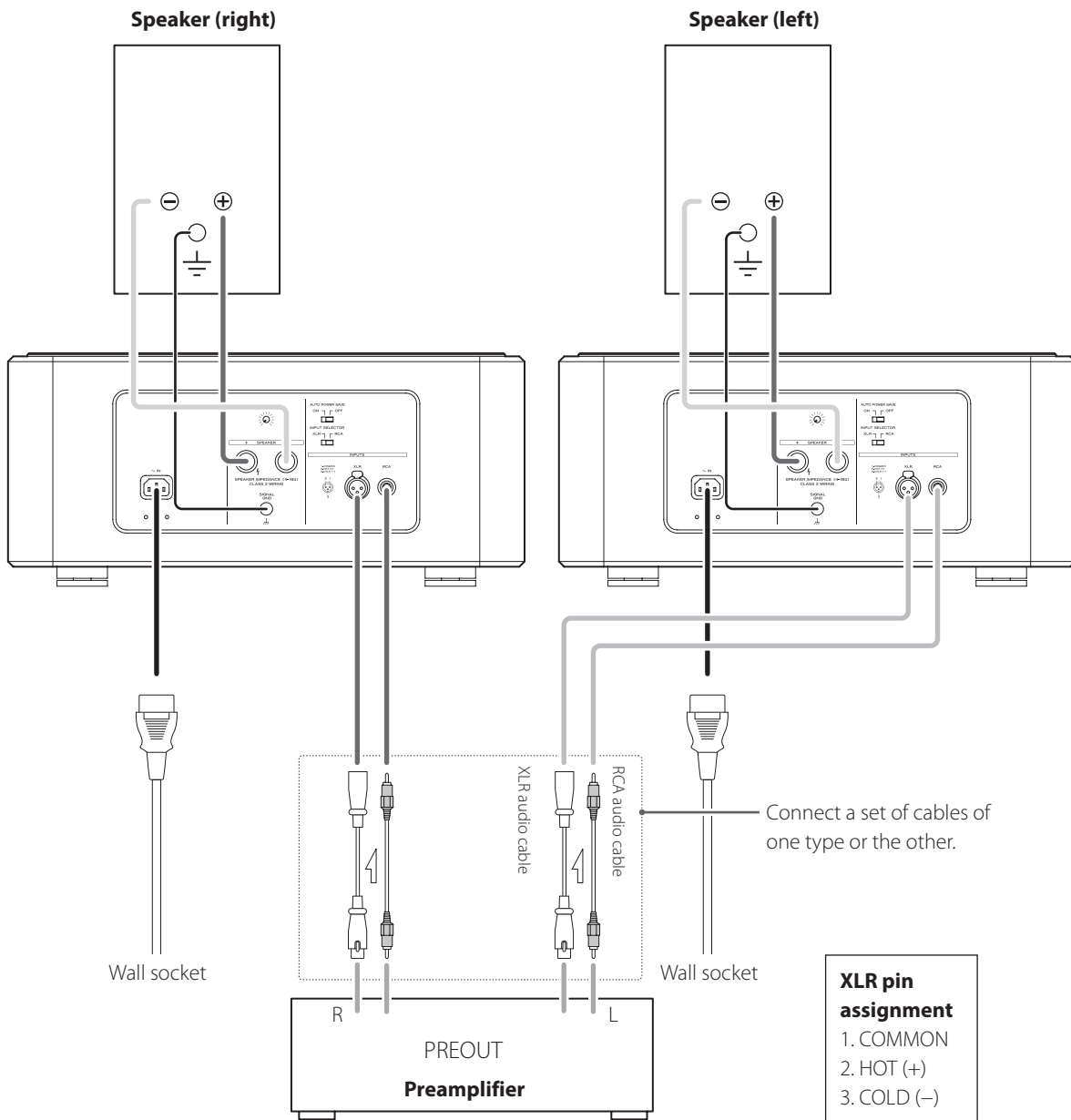
**Complete all other connections before connecting power plugs to power outlets.**

**Always turn the power off before disconnecting anything.**

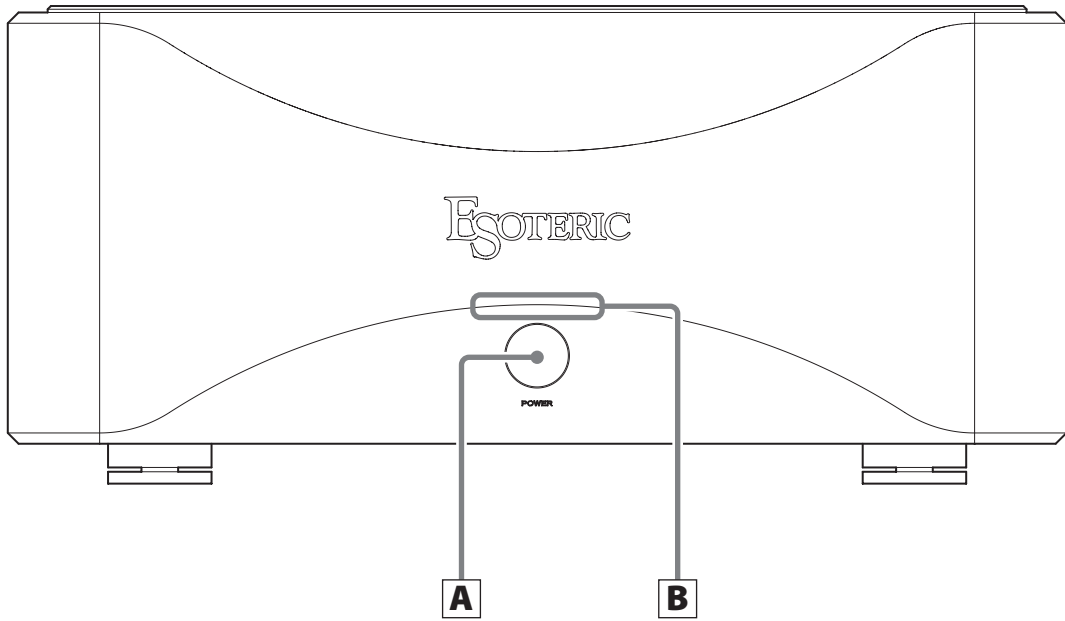
**Read the owner's manuals of all devices that will be connected, and follow their instructions.**

**⚠ Precautions when connecting speaker cables**

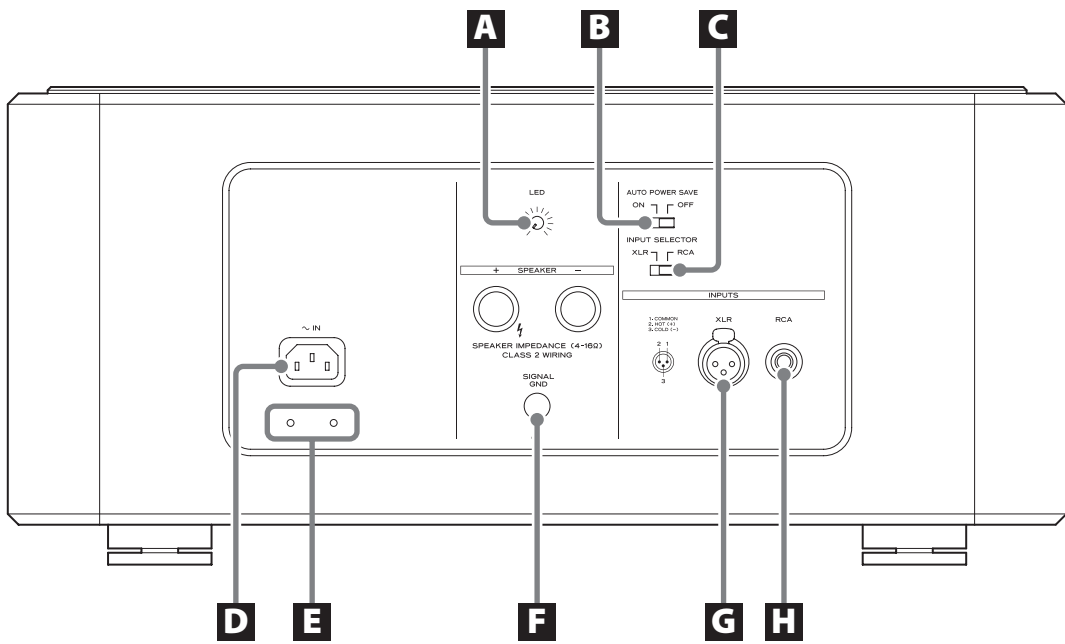
Connect the cables securely so that they do not become loose and the core wires or terminals at their ends do not become exposed and contact other metal parts or the unit.



## Front panel



## Rear panel



**A POWER button**

Press to turn the unit on or off.

After turning the unit on, the power indicator will blink blue and no sound will be output for a few seconds. Wait until the indicator stops blinking and stays lit.

- When the protection circuit is active, the power indicator blinks blue or alternately blue and purple and no sound is output (page 13).
- Since this unit has a large power transformer condenser, the power transformer might make noise for a short time after the unit is turned on. This is normal behavior, not a malfunction.
- After turning the unit off, wait at least two seconds before turning it on again.

**B Power indicator**

This lights blue when the unit is on.

**A LED brightness adjustment knob**

Turn to adjust the brightness of the power indicator.

**B AUTO POWER SAVE switch**

Use to turn the automatic power saving function on and off.

When set to ON, the unit will automatically turn off if no sound is input for 30 minutes or longer.

**C INPUT SELECTOR switch**

Use to switch between RCA and XLR inputs.

- ⚠ Do not change this when the unit is on. Doing so could cause a loud noise that might harm your hearing or damage the unit or the connected speaker.**

**D Power inlet [~ IN]**

Connect the included power cord to this socket. After completing all other connections, plug the power plug into a power outlet.

- ⚠ Use only a genuine Esoteric power cord. Use of other power cords could result in fire or electric shock.**

**E Holes for power cord support bracket screws**

Use to attach the power cord support bracket (page 7).

**F Grounding connector [SIGNAL GND]**

Using commercially-available sheathed wire (for example, PVC-insulated) to create grounded connections with the speakers, the preamplifier or other equipment might improve the sound quality.

- This is NOT an electrical safety ground.

**G XLR input jack**

Use a balanced XLR cable to connect the output jack of the preamplifier to this jack.

To use this input, set the INPUT SELECTOR switch on the rear of the unit to XLR.

- Insert the balanced XLR plug until the lever locks. Press this lever when disconnecting.
- The XLR input jack is 2 "HOT". Use a compatible cable.
- Insert the plug completely. Do not bundle power cords and speaker cables together. Doing so could degrade the sound quality or cause noise.

**H RCA input jack**

Use an RCA cable to connect the output jack of the preamplifier to this jack.

To use this input, set the INPUT SELECTOR switch on the rear of the unit to RCA.

- Insert the plug completely.
- Do not bundle these cables together with power cords or speaker cables. Doing so could degrade the sound quality or cause noise.

At Esoteric, we use Esoteric **MEXCEL** stressfree cables for reference.

For detailed information, access the following website.

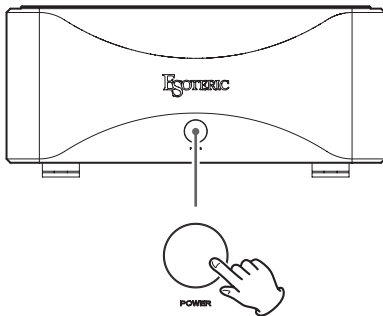
<http://www.esoteric.jp/products/esoteric/accessory/indexe.html>

# Basic operation

In order to protect the speakers, follow the steps below in order when turning on and off the system to which this unit is connected.

## Turning the power on

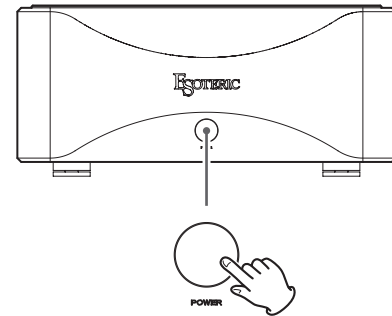
- 1 Minimize the preamplifier volume.**
- 2 Turn the audio source device on.**
- 3 Turn the preamplifier on.**
- 4 Turn this unit on.**



After turning the unit on, the power indicator will blink blue and no sound will be output for a few seconds. Wait until the power indicator stops blinking and stays lit before adjusting the volume and conducting other operations.

## Turning the power off

- 1 If an audio source device is playing back, stop playback.**
- 2 Minimize the preamplifier volume.**
- 3 Turn this unit off.**



- 4 Turn the preamplifier off.**
- 5 Turn the audio source device off.**

- To assure safety, always disconnect the power plug from the outlet when cleaning the unit and when traveling or otherwise not using the unit for a long time.

This unit has an output short circuit protection circuit, an overheating protection circuit and a direct current protection circuit built-in.

A protection circuit is active when the power indicator blinks blue or alternately blue and purple.

- If the power indicator blinks blue, a short might have occurred with the +/- speaker cables. In this case, turn the power off and check the speaker cable connections.
- If the power indicator blinks alternately blue and purple, the internal temperature is high. Turn the unit off and wait a while for the temperature to decrease. You can also change the installation conditions to improve ventilation.
- If the power indicator blinks alternately blue and purple for 30 seconds, the unit will automatically turn itself off. After this, the POWER button will be disabled for as long as the internal temperature remains high.

If the indicator continues to blink even after likely causes have been eliminated, contact the store where you purchased the unit.

Use a soft dry cloth to wipe the surface of the unit clean.

For stubborn smudges, use a damp cloth that has been thoroughly wrung out to remove excess moisture.

**⚠ For safety, disconnect the power plug from the outlet before wiping the unit.**

- Never spray liquid directly on this unit.
- Do not use chemically-treated wipes, thinner or similar substances because they could damage the surface of the unit.
- Avoid allowing rubber or plastic materials to touch the unit for long periods of time, because they could damage the cabinet.

# Troubleshooting

If you experience a problem with this unit, please take a moment to review the following information before requesting service. If this unit still does not operate correctly, contact the retailer where you purchased the unit.

## **The unit does not turn on.**

- ➔ Check that the power cord is plugged into a working power outlet.
- ➔ Check that the power cord is properly connected to this unit.
- ➔ Check if the power source is a switched outlet. If it is, make sure it is turned on. Confirm that the outlet is providing power by plugging in another item such as a lamp or a fan.

## **No sound is output.**

- ➔ Turn the main unit on.
- ➔ Confirm that the preamplifier is on. Before turning the preamplifier on, turn this unit off.
- ➔ Confirm that a signal is being output from the preamplifier.
- ➔ Check the connections between this unit, the preamplifier and the speaker, as well as between the audio source device and the preamplifier.
- ➔ Confirm that the correct input is selected on the preamplifier.
- ➔ Confirm that the correct input is selected on this unit.
- ➔ Raise the preamplifier volume.

## **The power indicator blinks blue or alternately blue and purple.**

- ➔ A protection circuit is active. Turn the unit off and eliminate the cause (page 13).
- ➔ A short might have occurred with the +/- speaker cables. Check the speaker cable connections.

## **The stereo sound position is irregular.**

- ➔ Check that neither of the speakers has a connection cable with +/- reversed.

## Audio performance

Rated output	300 W (8 Ω) 600 W (4 Ω)
Continuous average output power	1200 W (2 Ω) 2400 W (1 Ω) (1 Ω is limited to audio signals)
Frequency response	.5 Hz – 100 kHz (+0 dB, –3 dB, 6 Ω)
S/N ratio	122 dB (IHF-A)
Total harmonic distortion	0.006% (1 kHz, 8 Ω, 300 W)
Minimum compatible impedance	4 Ω
Gain	28 dB
Damping factor	1000
Input jacks	RCA × 1 pair XLR × 1 pair
Input impedance	
RCA	1 MΩ
XLR	1 MΩ

## General

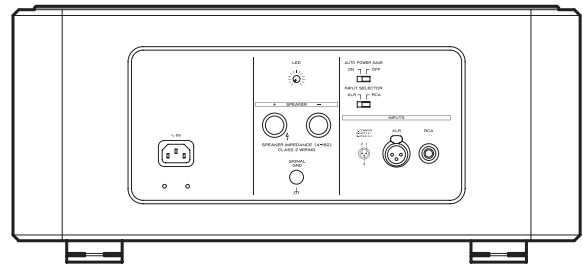
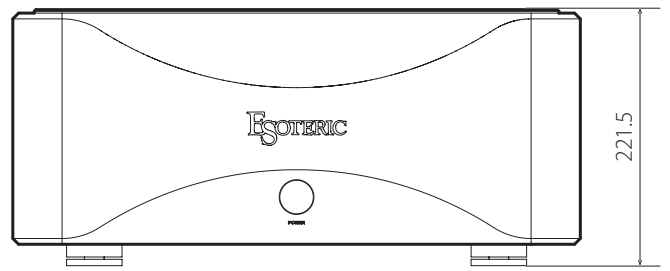
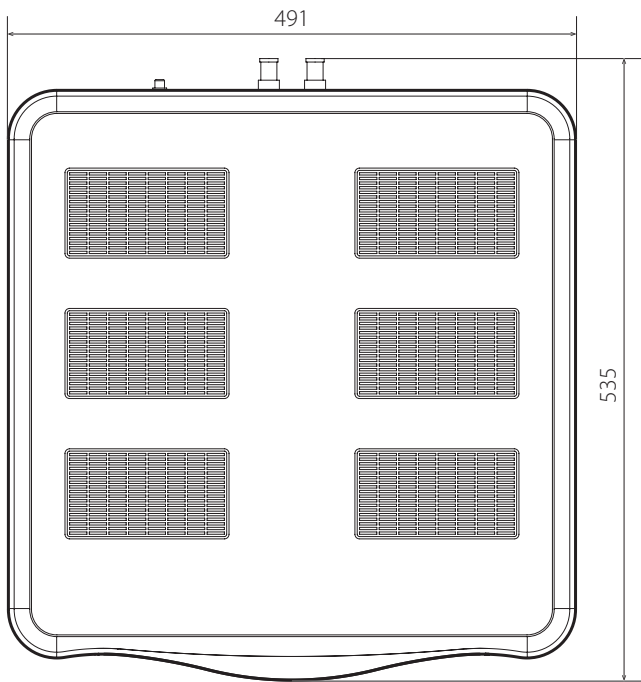
Power supply	
Model for Europe/Hong Kong	AC 230 V, 50 Hz
Model for USA/Canada	AC 120 V, 60 Hz
Model for Korea	AC 220 V, 60 Hz
Power consumption	
Model for Europe/Hong Kong, Model for Korea	.430 W (44 W when no signal)
Model for USA/Canada	.520 W (58 W when no signal)
External dimensions (W × H × D) (including protrusions)	491 × 221.5 × 535 (mm) (19 3/8" × 8 3/4" × 21 1/8")
Weight	62 kg (136 3/4 lb)
Operating temperature	+10° C to +35° C
Operating humidity	.5% to 85% (no condensation)
Storage temperature	–20° C to +55° C

## Included accessories

Power cord	× 1
Felt pads	× 4
Power cord support bracket	× 1
Screws for power cord support bracket	× 2
Owner's manual (this document)	× 1
Warranty card	× 1

- Specifications and appearance are subject to change without notice.
- Weight and dimensions are approximate.
- Illustrations in this Owner's Manual might differ slightly from production models.

# Dimensional drawings





# INSTRUCTIONS DE SÉCURITÉ IMPORTANTES

- N'exposez pas cet appareil aux gouttes ni aux éclaboussures.
- Ne placez pas d'objet rempli de liquide sur l'appareil, comme par exemple un vase.
- N'installez pas cet appareil dans un espace confiné comme une bibliothèque ou un meuble similaire.
- L'appareil tire un courant nominal de veille de la prise secteur quand son interrupteur POWER ou STANDBY/ON n'est pas en position ON.
- L'appareil doit être placé suffisamment près de la prise de courant pour que vous puissiez à tout moment atteindre facilement la fiche du cordon d'alimentation.
- La fiche secteur est utilisée comme dispositif de déconnexion et doit donc toujours rester disponible.
- Les produits de Classe I sont équipés d'un cordon d'alimentation ayant une fiche de terre. Le cordon de ces produits doit être branché dans une prise de terre.
- Si le produit utilise des batteries (y compris un pack d'accus ou des piles), elles ne doivent pas être exposées au soleil, au feu ou à une chaleur excessive.
- **PRÉCAUTION** pour les produits utilisant des batteries au lithium remplaçables : il existe un danger d'explosion en cas de remplacement par un type de batterie incorrect. Remplacez-les uniquement par des modèles identiques ou équivalents.
- Des précautions doivent être prises pour l'emploi d'écouteurs ou d'un casque avec le produit car une pression acoustique (volume) excessive dans les écouteurs ou dans le casque peut provoquer une perte d'audition.

## DÉCLARATION DE CONFORMITÉ

Nous, TEAC AUDIO EUROPE, Liegnitzer Straße 6, 82194 Gröbenzell, Allemagne, déclarons sous notre propre responsabilité que le produit TEAC décrit dans ce mode d'emploi est conforme aux normes techniques lui correspondant.



## Pour les consommateurs européens

### Mise au rebut des équipements électriques et électroniques

- (a) Tout équipement électrique et électronique doit être traité séparément de la collecte municipale d'ordures ménagères dans des points de collecte désignés par le gouvernement ou les autorités locales.
- (b) En vous débarrassant correctement des équipements électriques et électroniques, vous contribuerez à la sauvegarde de précieuses ressources et à la prévention de potentiels effets négatifs sur la santé humaine et l'environnement.
- (c) Le traitement incorrect des déchets d'équipements électriques et électroniques peut avoir des effets graves sur l'environnement et la santé humaine en raison de la présence de substances dangereuses dans les équipements.
- (d) Le symbole de déchets d'équipements électriques et électroniques (DEEE), qui représente une poubelle à roulettes barrée d'une croix, indique que les équipements électriques et électroniques doivent être collectés et traités séparément des déchets ménagers.
- (e) Des systèmes de retour et de collecte sont disponibles pour l'utilisateur final. Pour des informations plus détaillées sur la mise au rebut des vieux équipements électriques et électroniques, veuillez contacter votre mairie, le service d'ordures ménagères ou le magasin dans lequel vous avez acquis l'équipement.



### Mise au rebut des piles et/ou accumulateurs

- (a) Les piles et/ou accumulateurs hors d'usage doivent être traités séparément de la collecte municipale d'ordures ménagères dans des points de collecte désignés par le gouvernement ou les autorités locales.
- (b) En vous débarrassant correctement des piles et/ou accumulateurs hors d'usage, vous contribuerez à la sauvegarde de précieuses ressources et à la prévention de potentiels effets négatifs sur la santé humaine et l'environnement.
- (c) Le traitement incorrect des piles et/ou accumulateurs hors d'usage peut avoir des effets graves sur l'environnement et la santé humaine car ils contiennent des substances dangereuses.
- (d) Le symbole de déchets d'équipements électriques et électroniques (DEEE), qui représente une poubelle à roulettes barrée d'une croix, indique que les piles et/ou accumulateurs doivent être collectés et traités séparément des déchets ménagers.  
**Pb, Hg, Cd**
- (e) Des systèmes de retour et de collecte sont disponibles pour l'utilisateur final. Pour des informations plus détaillées sur la mise au rebut des piles et/ou accumulateurs, veuillez contacter votre mairie, le service d'ordures ménagères ou le magasin dans lequel vous les avez achetés.



Nous vous remercions d'avoir choisi ce produit Esoteric.  
Lisez ce mode d'emploi avec attention pour tirer les meilleures performances de cette unité.

INSTRUCTIONS DE SÉCURITÉ IMPORTANTES.....	17
Avant l'utilisation .....	18
Contenu de l'emballage.....	18
Précautions d'emploi.....	19
À propos du plateau de soutien du cordon d'alimentation.....	19
Note sur les pieds de découplage .....	19
Branchement des enceintes .....	20
Branchements.....	21
Nomenclature et fonctions des parties.....	22
Fonctionnement de base .....	24
Notes sur les circuits de protection.....	25
Entretien .....	25
Guide de dépannage .....	26
Caractéristiques techniques.....	27
Dessin avec cotes.....	28

## Contenu de l'emballage

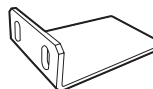
Vérifiez que vous disposez bien de tous les accessoires représentés ci-dessous. Veuillez contacter le magasin dans lequel vous avez acheté cette unité si l'un des accessoires manque ou a été endommagé.

**Cordon d'alimentation × 1**

**Patins en feutre × 4**



**Plateau de soutien  
de cordon  
d'alimentation × 1**



**Vis pour le plateau de  
soutien de cordon  
d'alimentation × 2**



**Mode d'emploi  
(ce document) × 1**

**Carte de garantie × 1**

- Après avoir lu ce mode d'emploi, gardez-le en lieu sûr avec la carte de garantie pour vous y référer ultérieurement.

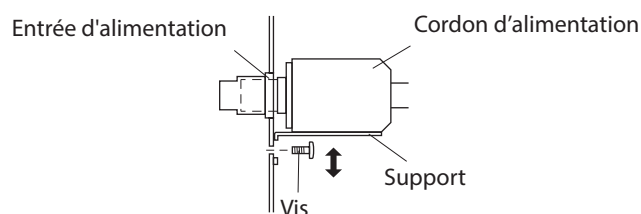
## Précautions d'emploi

- L'unité est très lourde, aussi faites attention de ne pas vous blesser durant l'installation.
- N'installez pas cette unité dans un lieu qui pourrait chauffer. Cela comprend les endroits exposés directement au soleil ou près d'un radiateur, d'un chauffage, d'une cuisinière ou d'autres appareils chauffants. En outre, ne la placez pas au-dessus d'un autre amplificateur ou équipement générant de la chaleur.
- Évitez les endroits sujets aux vibrations ou exposés à une poussière excessive, au froid et à l'humidité.
- Cette unité génère plus de chaleur que des amplificateurs de puissance ordinaires. Lorsque vous l'installez, posez-la à au moins 20 cm des murs et autres équipements. Si vous la placez dans un rack, veillez à éviter la surchauffe en utilisant un rack avec par exemple des ouvertures de ventilation et en laissant au moins 20 cm d'espace libre au-dessus de l'unité et 10 cm derrière.
- Ne l'installez pas debout, face vers le haut ou sur le côté.
- Placez l'unité sur une surface stable près du système audio que vous allez utiliser avec elle.
- NE placez RIEN sur le dessus de l'unité, pas même des CD, CD-R, disques vinyle ou cassettes. Cela pourrait entraîner des dommages.
- Ne posez pas de tissu sur l'unité et ne placez pas celle-ci sur du linge de maison ou sur une épaisse moquette. Cela pourrait entraîner la surchauffe de l'unité ou l'endommager.
- Fournissez à l'unité une tension d'alimentation qui correspond à celle indiquée sur la face arrière. Si vous avez des doutes à ce sujet, consultez un électricien.
- Ne déplacez pas l'unité durant l'utilisation.
- N'ouvrez pas le boîtier de l'unité car cela pourrait endommager le circuit ou entraîner un choc électrique. Si un objet étranger pénètre dans l'unité, contactez votre revendeur.
- Quand vous débranchez la fiche d'alimentation d'une prise secteur, tirez toujours directement sur la fiche. Ne tirez jamais sur le cordon lui-même.
- Quand cette unité est en service, allumer un téléviseur à proximité peut entraîner l'apparition de parasites sur l'écran de celui-ci, en fonction des caractéristiques du signal télédiffusé. Ce n'est pas un mauvais fonctionnement de l'unité ni du téléviseur. Si cela se produit, éteignez l'unité.

## À propos du plateau de soutien du cordon d'alimentation

Cette unité possède un plateau pour soutenir les cordons d'alimentation lourds, tels que les modèles ESOTERIC 7N-PC9500 MEXCEL et 7N-PC7500 et 7N-PC5500.

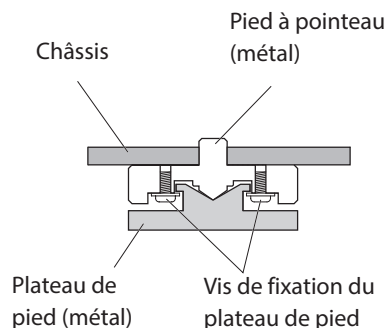
Alignez-le avec le cordon d'alimentation utilisé et fixez-le en serrant fermement les vis.



## Note sur les pieds de découplage

Des pieds à pointeau métallique de haute précision sont solidement fixés à la plaque inférieure de cette unité.

Leur plateau n'est pas fixé de façon rigide, mais quand l'unité est posée à sa place, elle est soutenue par ces pieds à pointeau, qui dispersent efficacement les vibrations.



- Fixez les patins de feutre fournis sous les pieds de protection pour éviter de rayer la surface sur laquelle est placée l'unité.

## Notes sur les câbles d'enceintes

- Utilisez des câbles d'enceinte du commerce pour brancher les enceintes.
- Utilisez les câbles d'enceinte les plus courts possibles. Plus le câble est long, plus grande est la valeur de la résistance et plus les performances d'amortissement sont réduites. En outre, la longueur accroît également l'impédance et la capacitance, dégradant la qualité sonore dans les hautes fréquences.
- Utilisez des câbles de même longueur pour les enceintes gauche et droite.

## Comment brancher les câbles d'enceinte

Utilisez des câbles d'enceinte du commerce pour relier le bornier + de l'unité au bornier + de l'enceinte et le bornier – de l'unité au bornier – de l'enceinte.

- Utilisez des enceintes d'au moins 4  $\Omega$  d'impédance.
- Si l'extrémité dénudée d'un conducteur de câble d'enceinte entre en contact avec un autre câble ou bornier, un court-circuit peut se produire.  
Ne laissez jamais un câble d'enceinte entrer en court-circuit.
- Ne connectez pas plusieurs amplificateurs à une même enceinte.
- Ne regroupez pas les câbles de connexion avec des cordons d'alimentation. Cela pourrait entraîner des bruits.

**⚠ La fiche d'alimentation doit toujours être débranchée lors de la connexion des câbles d'enceinte.**

### Si vous utilisez des fiches bananes

Insérez la fiche dans l'ouverture à l'avant du bornier.



- Maintenez le capuchon serré pendant l'utilisation.
- Lisez attentivement les instructions concernant les fiches bananes que vous utilisez.

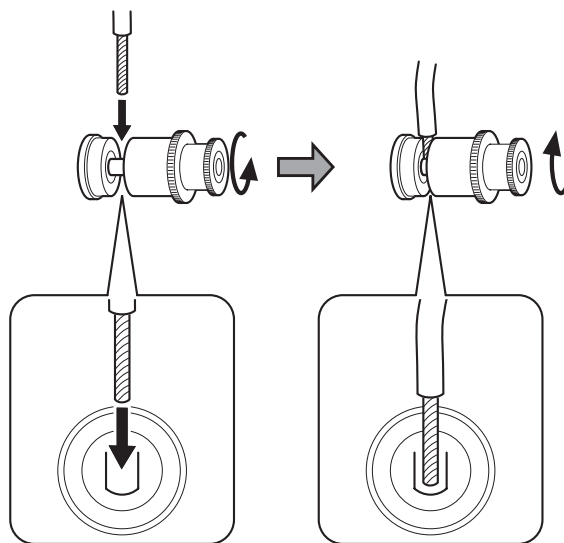
## Avertissement pour le modèle européen

Conformément aux réglementations de sécurité européennes, il n'est pas possible de brancher des fiches bananes dans les borniers d'enceinte des modèles européens. Les orifices dans lesquels s'insèrent les fiches bananes ont été occultés par des capuchons noirs. Branchez les enceintes au moyen de fils dénudés ou de cosses à fourche. Si un capuchon noir sort d'un bornier, remettez-le en place.

### Si vous utilisez des fils dénudés

Dévissez le capuchon, insérez le conducteur central par le haut et revissez le capuchon.

- Le trou d'insertion est tourné vers le haut.

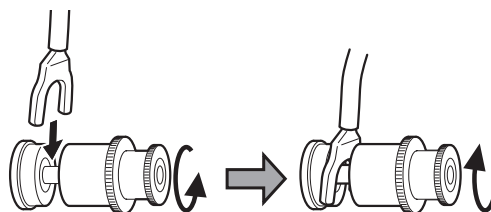


Vue en coupe

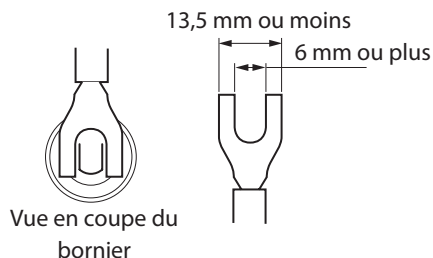
- Le diamètre maximal de conducteur pouvant être inséré est de 4 mm.

### Si vous utilisez des cosses à fourche

Dévissez le capuchon, placez la cosse autour du bornier par le dessus ou le dessous et revissez le capuchon.



- Si vous utilisez une cosse à fourche pour le branchement, choisissez-en une d'un diamètre externe ne dépassant pas 13,5 mm avec un diamètre interne d'au moins 6 mm.



Vue en coupe du bornier

## ⚠ Précautions lors des branchements

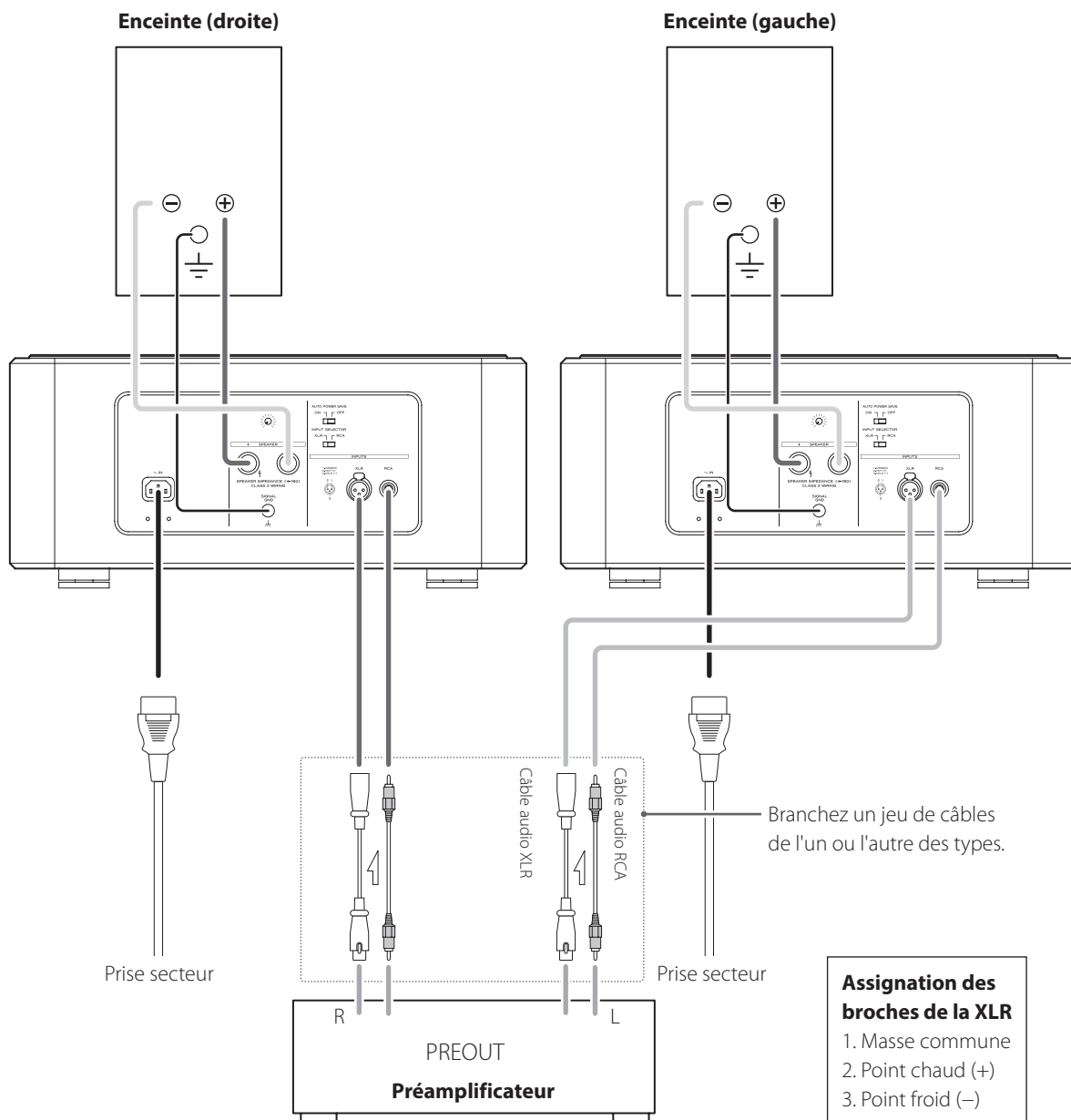
Faites tous les autres branchements avant de brancher les fiches d'alimentation dans les prises secteur.

Mettez toujours l'unité hors tension avant de débrancher quoi que ce soit.

Lisez les modes d'emploi de tous les appareils qui seront connectés et suivez leurs instructions.

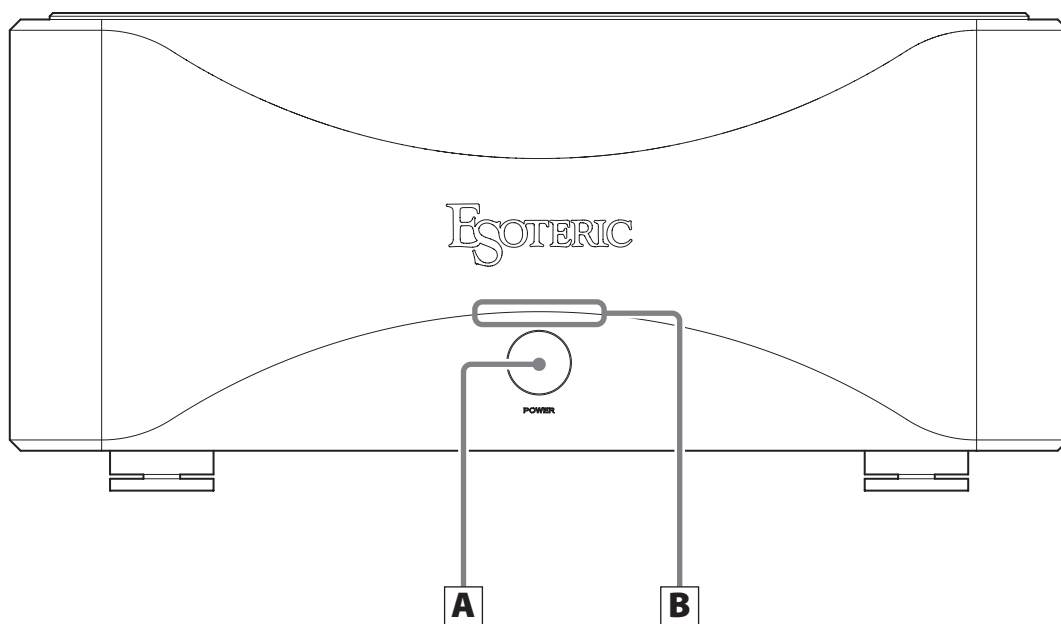
### ⚠ Précautions lors du branchement des câbles d'enceinte

Branchez correctement les câbles pour qu'ils ne se desserrent pas et que les extrémités des conducteurs ou des borniers ne soient pas exposées au risque d'entrer en contact avec d'autres parties métalliques de l'unité.

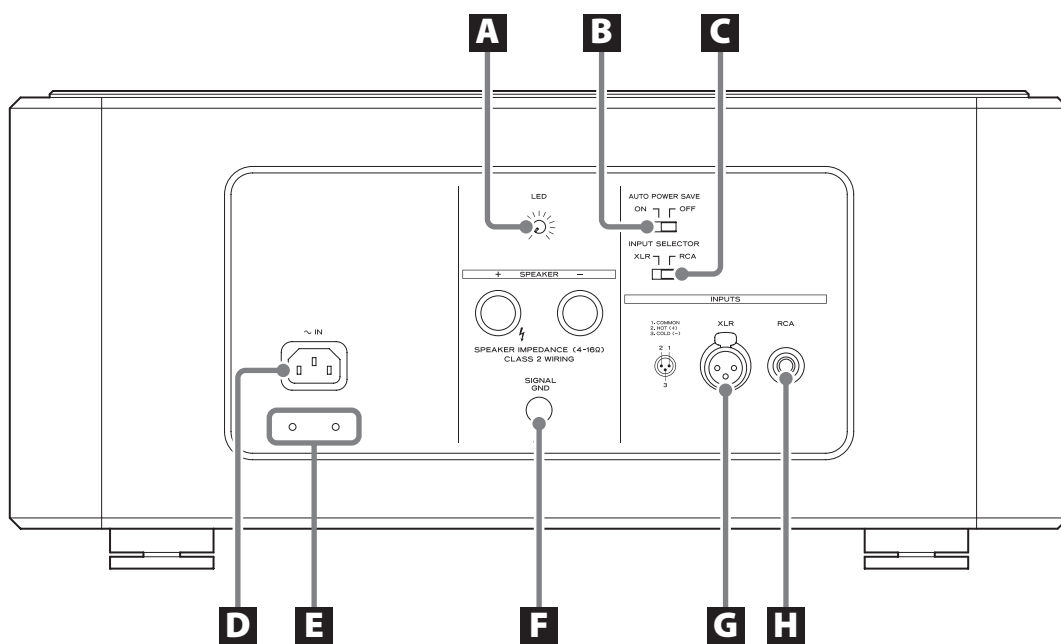


# Nomenclature et fonctions des parties

## Face avant



## Face arrière



**A Touche POWER**

Appuyez sur cet interrupteur pour allumer ou éteindre l'unité. Après mise sous tension de l'unité, le voyant d'alimentation clignote en bleu et aucun son n'est émis pendant quelques secondes. Attendez que le voyant cesse de clignoter et s'allume fixement.

- Quand le circuit de protection est actif, le voyant d'alimentation clignote en bleu ou alterne entre bleu et violet et aucun son ne sort (page 25).
- Comme cette unité a un grand condensateur de transformateur de puissance, le transformateur de puissance peut produire un bruit un court instant après la mise sous tension de l'unité. C'est un comportement normal, pas un mauvais fonctionnement.
- Après extinction de l'unité, attendez au moins deux secondes avant de la rallumer.

**B Voyant d'alimentation**

Il s'allume en bleu quand l'unité est allumée.

**A Bouton de réglage de luminosité de LED**

Tournez-le pour régler la luminosité du voyant d'alimentation.

**B Commutateur AUTO POWER SAVE**

Sert à mettre en ou hors service la fonction d'économie automatique d'énergie.

Lorsqu'il est sur ON, l'unité se coupe automatiquement après 30 minutes ou plus sans réception de son.

**C Sélecteur INPUT SELECTOR**

Sert à choisir entre les entrées RCA et XLR.

- ⚠ Ne le déplacez pas quand l'unité est allumée. Cela risquerait de provoquer un bruit important pouvant endommager votre audition, l'unité ou l'enceinte connectée.**

**D Prise d'entrée d'alimentation [~IN]**

Branchez le cordon d'alimentation fourni à cette prise. Après avoir terminé tous les autres branchements, insérez la fiche du cordon d'alimentation dans une prise secteur.

- ⚠ N'utilisez qu'un authentique cordon d'alimentation Esoteric. L'utilisation d'autres cordons d'alimentation peut entraîner un incendie ou un choc électrique.**

**E Orifices pour les vis du plateau de soutien du cordon d'alimentation**

Servent à fixer le plateau de soutien du cordon d'alimentation (page 19).

**F Borne de mise à la masse [SIGNAL GND]**

Utiliser un câble gainé du commerce (par exemple à isolant PVC) pour créer des connexions mises à la masse avec les enceintes, le préamplificateur ou d'autres équipements, peut améliorer la qualité du son.

- Ce n'est PAS un branchement de terre de sécurité électrique.

**G Prise d'entrée XLR**

Utilisez un câble XLR symétrique pour brancher à cette prise la prise de sortie du préamplificateur.

Pour utiliser cette entrée, réglez le sélecteur INPUT SELECTOR de la face arrière de l'unité sur XLR.

- Insérez la fiche XLR symétrique jusqu'à ce que son loquet se verrouille. Appuyez sur ce loquet pour débrancher le câble.
- La broche 2 de la prise d'entrée XLR est le « point chaud ». Utilisez un câble compatible.
- Insérez la fiche à fond. Ne regroupez pas les cordons d'alimentation et les câbles d'enceinte. Cela pourrait dégrader la qualité audio ou causer des parasites.

**H Prise d'entrée RCA**

Utilisez un câble RCA pour brancher à cette prise la prise de sortie du préamplificateur.

Pour utiliser cette entrée, réglez le sélecteur INPUT SELECTOR de la face arrière de l'unité sur RCA.

- Insérez la fiche à fond.
- Ne regroupez pas ces câbles avec les cordons d'alimentation ou les câbles d'enceintes. Cela pourrait dégrader la qualité audio ou causer des parasites.

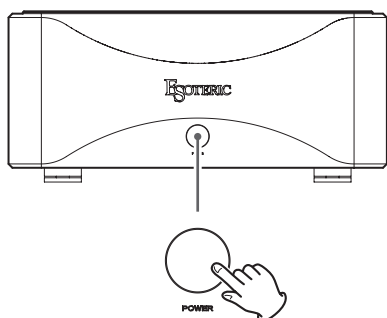
Chez Esoteric, nous utilisons pour référence des câbles **MEXCEL** Esoteric sans contrainte. Pour des informations détaillées, visitez le site web suivant.  
<http://www.esoteric.jp/products/esoteric/accessory/indexe.html>

# Fonctionnement de base

Afin de protéger les enceintes, suivez les étapes ci-dessous dans l'ordre lors de la mise sous et hors tension du système auquel cette unité est connectée.

## Mise sous tension

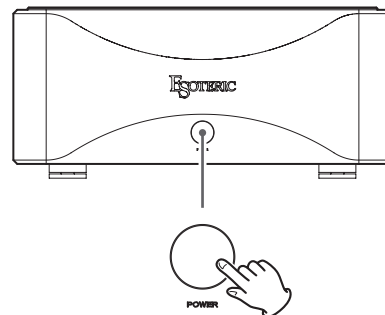
- 1 Réduisez le volume du préamplificateur au minimum.**
- 2 Allumez la source audio.**
- 3 Allumez le préamplificateur.**
- 4 Allumez cette unité.**



Après mise sous tension de l'unité, le voyant d'alimentation clignote en bleu et aucun son n'est émis pendant quelques secondes. Attendez que le voyant d'alimentation cesse de clignoter et reste allumé avant de régler le volume et d'effectuer d'autres opérations.

## Mise hors tension

- 1 Si une source audio est en lecture, arrêtez la lecture.**
- 2 Réduisez le volume du préamplificateur au minimum.**
- 3 Éteignez cette unité.**



- 4 Éteignez le préamplificateur.**
- 5 Éteignez la source audio.**

- Pour garantir la sécurité, débranchez toujours la fiche d'alimentation de la prise secteur lorsque vous nettoyez l'unité et lors des déplacements ou en cas de non utilisation prolongée de l'unité.



Cette unité intègre un circuit de protection contre les courts-circuits en sortie, un circuit de protection contre la surchauffe et un circuit de protection contre le courant continu.

Un circuit de protection est activé quand le voyant d'alimentation clignote en bleu ou alternativement en bleu et violet.

- Si le voyant d'alimentation clignote en bleu, il peut s'être produit un court-circuit avec les câbles d'enceinte +/- . Dans ce cas, coupez l'alimentation et vérifiez les branchements de l'enceinte.
- Si le voyant d'alimentation clignote alternativement en bleu et violet, c'est que la température interne est élevée. Éteignez l'unité et attendez un moment que la température diminue. Vous pouvez également changer les conditions d'installation pour améliorer l'aération.
- Si le voyant d'alimentation clignote alternativement en bleu et violet durant 30 secondes, l'unité s'éteint automatiquement d'elle-même. Après cela, la touche POWER reste désactivée tant que la température interne est trop élevée.

Si le voyant continue de clignoter même après élimination des causes probables, contactez le magasin dans lequel vous avez acheté l'unité.

Utilisez un chiffon sec et doux pour nettoyer la surface de l'unité. Pour les taches tenaces, utilisez un chiffon humide qui a été soigneusement essoré afin d'éliminer l'excès d'humidité.

**⚠ Par sécurité, débranchez la fiche d'alimentation de la prise secteur avant de nettoyer l'unité.**

- Ne vaporisez jamais du liquide directement sur cette unité.
- N'utilisez pas de lingettes de nettoyage imbibées de produits chimiques, de diluant ou de substances similaires car cela pourrait endommager la surface de l'unité.
- Évitez un contact prolongé de l'unité avec des matériaux caoutchouteux ou plastiques car ceux-ci peuvent endommager le boîtier.

Si vous rencontrez un problème avec cette unité, veuillez prendre un moment pour lire les informations suivantes avant de solliciter une réparation.

Si cette unité ne fonctionne toujours pas correctement, contactez le revendeur qui vous a vendu l'unité.

## **L'unité ne s'allume pas.**

- ➔ Vérifiez que le cordon d'alimentation est branché à une prise secteur fonctionnelle.
- ➔ Vérifiez que le cordon d'alimentation est bien branché à cette unité.
- ➔ Vérifiez si la source de courant est une prise commutée. Si c'est le cas, vérifiez qu'elle est allumée. Vérifiez que la prise fournit du courant en y branchant un autre appareil tel qu'une lampe ou un ventilateur.

## **Aucun son n'est produit.**

- ➔ Mettez l'unité principale sous tension.
- ➔ Vérifiez que le préamplificateur est allumé. Avant d'allumer le préamplificateur, éteignez cette unité.
- ➔ Vérifiez qu'un signal sort du préamplificateur.
- ➔ Vérifiez les connexions entre l'unité, le préamplificateur et l'enceinte, ainsi qu'entre la source audio et le préamplificateur.
- ➔ Vérifiez que la bonne entrée est sélectionnée sur le préamplificateur.
- ➔ Vérifiez que la bonne entrée est sélectionnée sur cette unité.
- ➔ Montez le volume du préamplificateur.

## **Le voyant d'alimentation clignote en bleu ou alternativement en bleu et violet.**

- ➔ Un circuit de protection est activé. Éteignez l'unité et éliminez la cause du problème (page 25).
- ➔ Un court-circuit peut s'être produit avec les câbles d'enceinte +/- . Vérifiez les branchements des câbles d'enceinte.

## **La position du son dans la stéréo est anormale.**

- ➔ Vérifiez qu'aucune des enceintes n'est branchée au moyen d'un câble de connexion dont les pôles +/- sont inversés.

## Performances audio

Puissance nominale	300 W (8 Ω) 600 W (4 Ω)
Puissance moyenne en continu	1200 W (2 Ω) 2400 W (1 Ω) (1 Ω est limité aux signaux audio)
Réponse en fréquence	5 Hz – 100 kHz (+0 dB, –3 dB, 6 Ω)
Rapport signal/bruit	122 dB (IHF-A)
Distorsion harmonique totale	0,006 % (1 kHz, 8 Ω, 300 W)
Impédance minimale compatible	4 Ω
Gain	28 dB
Facteur d'amortissement	1000
Prises d'entrée	RCA × 1 paire XLR × 1 paire
Impédance d'entrée	
RCA	1 MΩ
XLR	1 MΩ

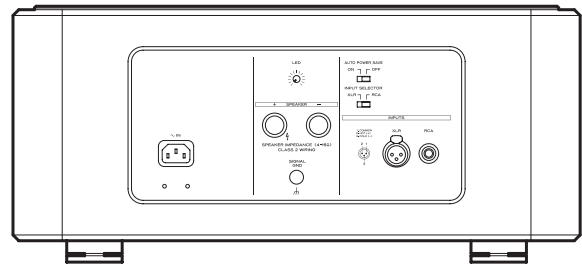
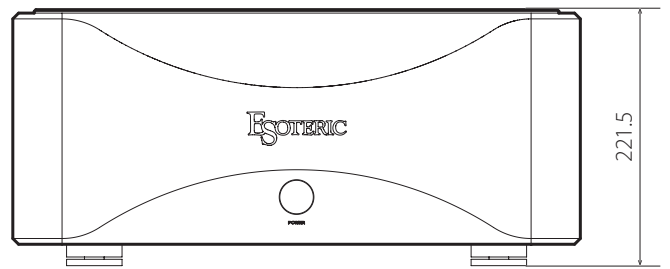
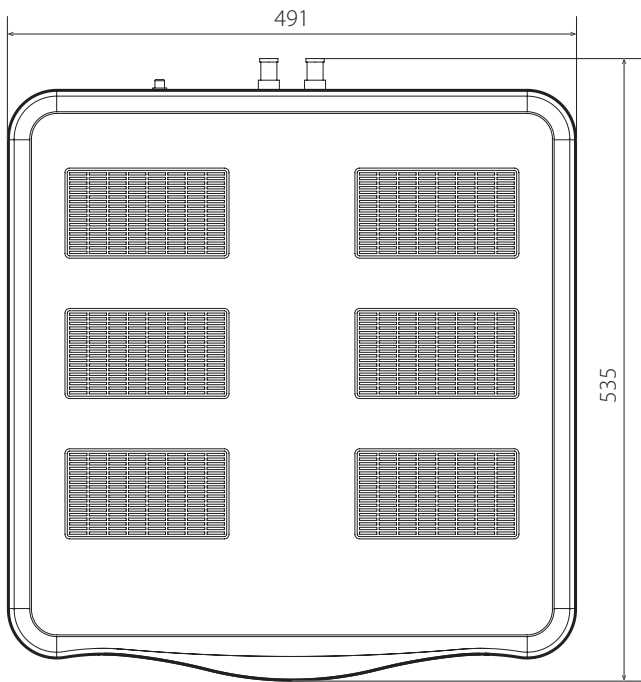
## Générales

Alimentation électrique	
Modèle Europe/Hong Kong	CA 230 V, 50 Hz
Modèle USA/Canada	CA 120 V, 60 Hz
Modèle Corée	CA 220 V, 60 Hz
Consommation électrique	
Modèle Europe/Hong Kong, Modèle Corée	430 W (44 W en l'absence de signal)
Modèle USA/Canada	520 W (58 W en l'absence de signal)
Dimensions externes (L × H × P) (hors tout)	491 × 221,5 × 535 (mm)
Poids	62 kg
Température de fonctionnement	+10° C à +35° C
Hygrométrie de fonctionnement	5 % à 85 % (sans condensation)
Température de stockage	–20° C à +55° C

## Accessoires fournis

Cordon d'alimentation	× 1
Patins en feutre	× 4
Plateau de soutien de cordon d'alimentation	× 1
Vis pour le plateau de soutien de cordon d'alimentation	× 2
Mode d'emploi (ce document)	× 1
Carte de garantie	× 1

- Caractéristiques techniques et aspect sont sujets à changements sans préavis.
- Le poids et les dimensions sont des valeurs approchées.
- Les illustrations de ce mode d'emploi peuvent légèrement différer des modèles de production.



# INSTRUCCIONES IMPORTANTES DE SEGURIDAD

- No exponga este aparato a salpicaduras ni goteras.
- No coloque objetos que contengan líquidos, como por ejemplo jarrones, sobre el aparato.
- No instale este aparato en lugares cerrados tales como estanterías o similares.
- Este aparato libera corriente nominal no válida para el funcionamiento a través de la toma de corriente, aún cuando el interruptor de encendido y activación (POWER o STANDBY/ON) no esté en la posición de encendido (ON).
- Este aparato debe situarse lo suficientemente cerca de una toma de electricidad como para poder alcanzar fácilmente el cable de corriente en cualquier momento.
- El enchufe que se conecta a la red es el dispositivo de desconexión, por lo que deberá permanecer siempre en perfecto estado de uso.
- Los productos con construcción de Clase I están equipados con un cable de alimentación que tiene conexión de tierra. El cable de estos productos deberá conectarse a una toma de corriente que tenga conexión de protección de tierra.
- Si el producto utiliza pilas (esto incluye los "packs" de pilas y las pilas instaladas), se evitará su exposición directa al sol, al fuego o a cualquier otra fuente de calor excesivo.
- PRECAUCIÓN con los productos que emplean baterías de litio reemplazables: existe peligro de explosión si la batería se reemplaza por otra de tipo incorrecto. Reemplácela sólo por otra igual o de tipo equivalente.
- Deberá llevar cuidado si utiliza auriculares con este producto, ya que una excesiva presión sonora (volumen) procedente de los mismos puede causar pérdidas de audición.


## DECLARACIÓN DE CONFORMIDAD

TEAC AUDIO EUROPE, Liegnitzer Straße 6, 82194 Gröbenzell, Alemania, declara bajo su plena responsabilidad que el producto TEAC descrito en este manual cumple con las normas técnicas correspondientes.




## Para consumidores europeos

### Deshacerse de aparatos eléctricos y electrónicos

- (a) Todos los aparatos eléctricos y electrónicos deben eliminarse separados del resto de basura común y únicamente en los "puntos limpios" o bajo los procedimientos especificados por el gobierno o autoridades municipales locales.
- (b) Con la eliminación correcta de los equipos eléctricos y electrónicos estará ayudando a conservar recursos muy valiosos y a evitar los posibles efectos negativos en la salud humana y en el medio ambiente.
- (c) La eliminación incorrecta de los equipos eléctricos y electrónicos puede producir efectos muy dañinos en el medio ambiente y en la salud humana a causa de las sustancias peligrosas que pueden encontrarse en estos equipos.
- (d) El símbolo de Eliminación de Aparatos Eléctricos y Electrónicos (WEEE en inglés), identificado por un cubo de basura con ruedas tachado, indica que los equipos eléctricos y electrónicos deben ser eliminados de forma totalmente independiente con respecto a la basura doméstica. 
- (e) Existen sistemas para la eliminación y recogida de este tipo de aparatos a disposición del usuario final. Si necesita más información sobre cómo deshacerse de aparatos eléctricos y electrónicos antiguos, póngase en contacto con su Ayuntamiento, con la empresa del servicio de recogida de residuos o con el comercio donde se adquirieron.

### Deshacerse de pilas y/o acumuladores

- (a) Las pilas y/o acumuladores gastados deben ser eliminados separados del resto de basura común y únicamente en los "puntos de recogida" o bajo los procedimientos especificados por el gobierno o autoridades municipales locales.
- (b) Con la eliminación correcta de las pilas y/o acumuladores gastados estará ayudando a conservar recursos muy valiosos y a evitar los posibles efectos negativos en la salud humana y en el medio ambiente.
- (c) La eliminación incorrecta de las pilas y/o acumuladores gastados puede producir efectos muy dañinos en el medio ambiente y en la salud humana con motivo de las sustancias peligrosas que pueden encontrarse en estos equipos.
- (d) El símbolo WEEE, identificado por un cubo de basura con ruedas tachado, indica que las pilas y/o acumuladores gastados deben eliminarse de forma totalmente independiente de la basura doméstica.   
**Pb, Hg, Cd**  
Si una pila o un acumulador contienen más cantidad de los valores especificados de plomo (Pb), mercurio (Hg), y/o cadmio (Cd) según está definido en la Directiva relativa a las pilas (2006/66/EC), entonces los símbolos químicos correspondientes a estos elementos estarán indicados debajo del símbolo WEEE.
- (e) Existen sistemas para la eliminación y recogida a disposición del usuario final. Si necesita más información sobre cómo eliminar pilas y/o acumuladores gastados, póngase en contacto con su Ayuntamiento, con la empresa del servicio de recogida de residuos o con el comercio donde se adquirieron.

Gracias por adquirir este producto Esoteric.  
Lea este manual atentamente para obtener el mejor rendimiento de esta unidad.

INSTRUCCIONES IMPORTANTES DE SEGURIDAD .....	29
Antes de su utilización .....	30
Qué hay en la caja .....	30
Precauciones de uso .....	31
Acerca del soporte de apoyo del cable de corriente .....	31
Nota sobre las patas puntiformes .....	31
Conexión del altavoz .....	32
Conexiones .....	33
Nombres y funciones de las partes .....	34
Funcionamiento básico .....	36
Notas sobre los circuitos de protección .....	37
Mantenimiento .....	37
Solución de posibles fallos .....	38
Especificaciones .....	39
Ilustraciones con las dimensiones .....	40

## Qué hay en la caja

Asegúrese de que la caja contiene todos los accesorios que incluye la unidad y que se muestran a continuación. Por favor, póngase en contacto con el establecimiento donde haya comprado la unidad en caso de que falte alguno de estos accesorios o haya sufrido daños.

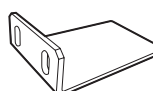
**Cable de corriente × 1**

**Almohadillas de fieltro  
× 4**



**Soporte de apoyo del  
cable de corriente × 1**

**Tornillos para el soporte  
de apoyo del cable de  
corriente × 2**



**Manual del usuario (este  
documento) × 1**

**Tarjeta de garantía × 1**

- Después de leer este manual, guárdelo en un lugar seguro, junto con la tarjeta de garantía, por si lo necesita en el futuro.

## Precauciones de uso

- Esta unidad pesa mucho, por tanto deberá llevar cuidado para evitar lesiones durante la instalación.
- No instale esta unidad donde pueda calentarse. Evite lugares que estén expuestos a la luz solar directa o cercanos a un radiador, calefactor, estufa o cualquier otro aparato de calefacción. Tampoco coloque esta unidad encima de otro amplificador u otro equipo que genere calor.
- Evite lugares que estén sujetos a vibraciones o expuestos a polvo, frío o humedad excesivos.
- Esta unidad genera más calor que los amplificadores o etapas de potencia normales. Cuando lo instale, hágalo de modo que quede separado de las paredes y de otros componentes del equipo al menos 20 cm.

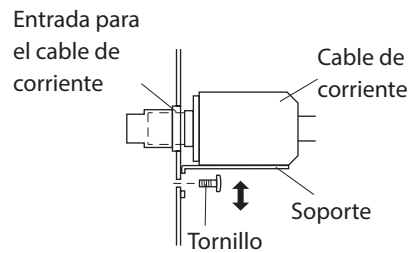
Si se coloca en un rack, tome las precauciones necesarias para que no se produzca un sobrecalentamiento, utilizando un rack con aberturas de ventilación, por ejemplo, y dejando libres al menos 20 cm por encima de la unidad y 10 cm por detrás.

- No instale esta unidad de lado ni con el frontal hacia arriba.
- Coloque la unidad en un lugar estable cerca del equipo de audio con el que la vaya a utilizar.
- NO coloque nada encima de la unidad, ni siquiera discos CD, CD-R, discos de vinilo LP o cintas de cassette, ya que puede resultar perjudicial.
- No ponga paños o telas encima de la unidad, no la coloque sobre una cama, ni tampoco sobre una alfombra o moqueta gruesa. Si lo hace, puede causar un sobrecalentamiento a la unidad y dañarla.
- Conecte la unidad a una toma de electricidad cuyo voltaje sea el mismo que se indica en el panel posterior de la unidad. Si tiene dudas al respecto, consulte a un electricista.
- No mueva la unidad cuando esté en uso.
- No abra la carcasa porque podría causar daños en los circuitos o una descarga eléctrica. En caso de que se introduzca un objeto extraño en la unidad, contacte con su distribuidor.
- Cuando desenchufe el cable de corriente de la toma de electricidad, tire siempre directamente del conector, nunca tire ni estire del cable.
- Si enciende una TV cuando esta unidad se encuentra encendida, puede aparecer estática en la pantalla de la TV, dependiendo de las características de la señal de emisión de televisión. Esto no significa un mal funcionamiento, ni de la unidad ni de la TV. Si ocurre, apague esta unidad.

## Acerca del soporte de apoyo del cable de corriente

Esta unidad incluye un soporte sobre el que apoyar cables de corriente que pesan, como es el caso de los modelos ESOTERIC 7N-PC9500 MEXCEL, 7N-PC7500 y 7N-PC5500.

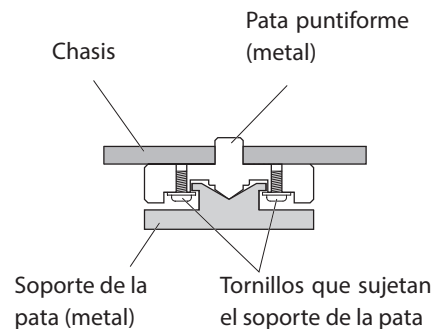
Alinee el soporte con el cable de corriente que se esté utilizando y fjelo, atornillando con firmeza los tornillos.



## Nota sobre las patas puntiformes

Esta unidad tiene unas patas puntiformes metálicas de alta precisión que están firmemente sujetas a la placa inferior de la misma.

Los soportes de estas patas están sueltos, pero cuando se coloca la unidad sobre una superficie, son estas patas puntiformes metálicas las que soportan la unidad, dispersando de manera efectiva las vibraciones.



- Coloque los filtros suministrados en la parte inferior de los soportes de las patas, para evitar que se raye la superficie sobre la que esté colocada la unidad.

## Notas sobre los cables de altavoz

- Utilice cables de altavoz de los que se pueden adquirir en establecimientos comerciales.
- Utilice los cables de altavoz más cortos que pueda. Cuanto más largos sean los cables, mayor será la resistencia y más se reducirán las prestaciones de amortiguación. Es más, la longitud también incrementa la impedancia y la capacitancia, degradando la calidad de sonido de las altas frecuencias.
- Utilice cables que tengan la misma longitud tanto para el altavoz izquierdo como para el derecho.

## Cómo conectar los cables de altavoz

Utilice cables de altavoz de los que se pueden adquirir en establecimientos comerciales para conectar el terminal + de la unidad al terminal + del altavoz y el terminal – de la unidad al terminal – del altavoz.

- Utilice cables con una impedancia de al menos 4  $\Omega$ .
- Si la punta con los hilos metálicos al descubierto (cable pelado) de un cable de altavoz entra en contacto con otro cable o terminal, puede dar lugar a un cortocircuito. Nunca deje que esto suceda.
- No conecte más de un amplificador a un altavoz.
- No agrupe ni mezcle los cables de las conexiones con los cables de corriente. Si lo hace puede originarse ruido.

**⚠ El cable de corriente siempre debe estar desenchufado cuando se conecten los cables de altavoz.**

### Si se utilizan conectores de tipo banana

Inserte el conector en la abertura frontal del terminal.



- Mantenga la cubierta apretada mientras esté en uso.
- Lea atentamente las instrucciones de los conectores de tipo banana que esté utilizando.

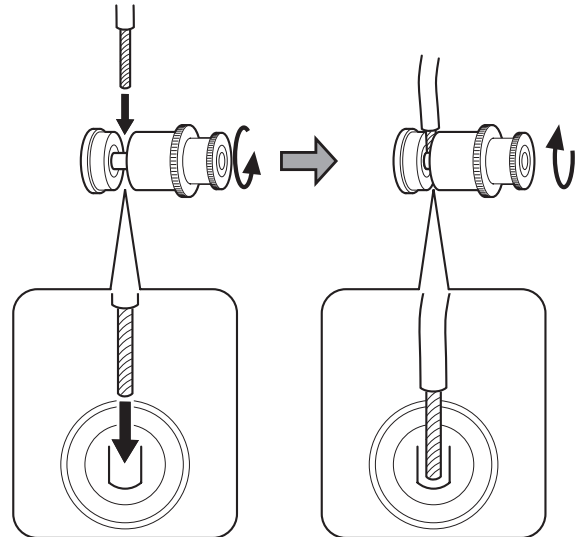
## Nota sobre el modelo para Europa

Según las regulaciones de seguridad europeas, no se pueden utilizar conectores de tipo banana en los terminales de altavoz de los modelos para Europa. Los agujeros de los terminales en los que se introducen los conectores banana han sido tapados con tapones negros. Conecte el altavoz usando cables con hilos metálicos al descubierto en el extremo (con el recubrimiento quitado) o conectores de horquilla. Si los tapones se salen de los terminales, vuelva a colocarlos en su posición original.

### Si utiliza cables sin recubrimiento en el extremo (hilos metálicos al descubierto)

Afloje la cubierta, inserte los hilos metálicos del cable desde arriba y apriete la cubierta.

- El orificio de inserción está mirando hacia arriba.

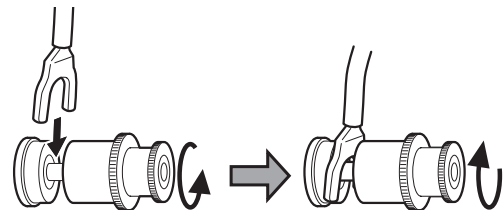


Sección transversal

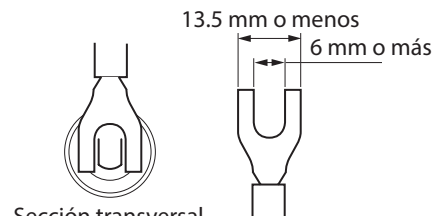
- El diámetro máximo de cable que se puede insertar es 4 mm.

### Si utiliza cables con conectores de horquilla

Afloje la cubierta, encaje la agarradera desde arriba o desde abajo y apriete la cubierta.



- Cuando utilice conectores de horquilla, el diámetro externo del conector no puede exceder de 13,5 mm y el interior debe ser de al menos 6 mm.



Sección transversal del terminal



## ⚠ Precauciones al hacer la conexiones

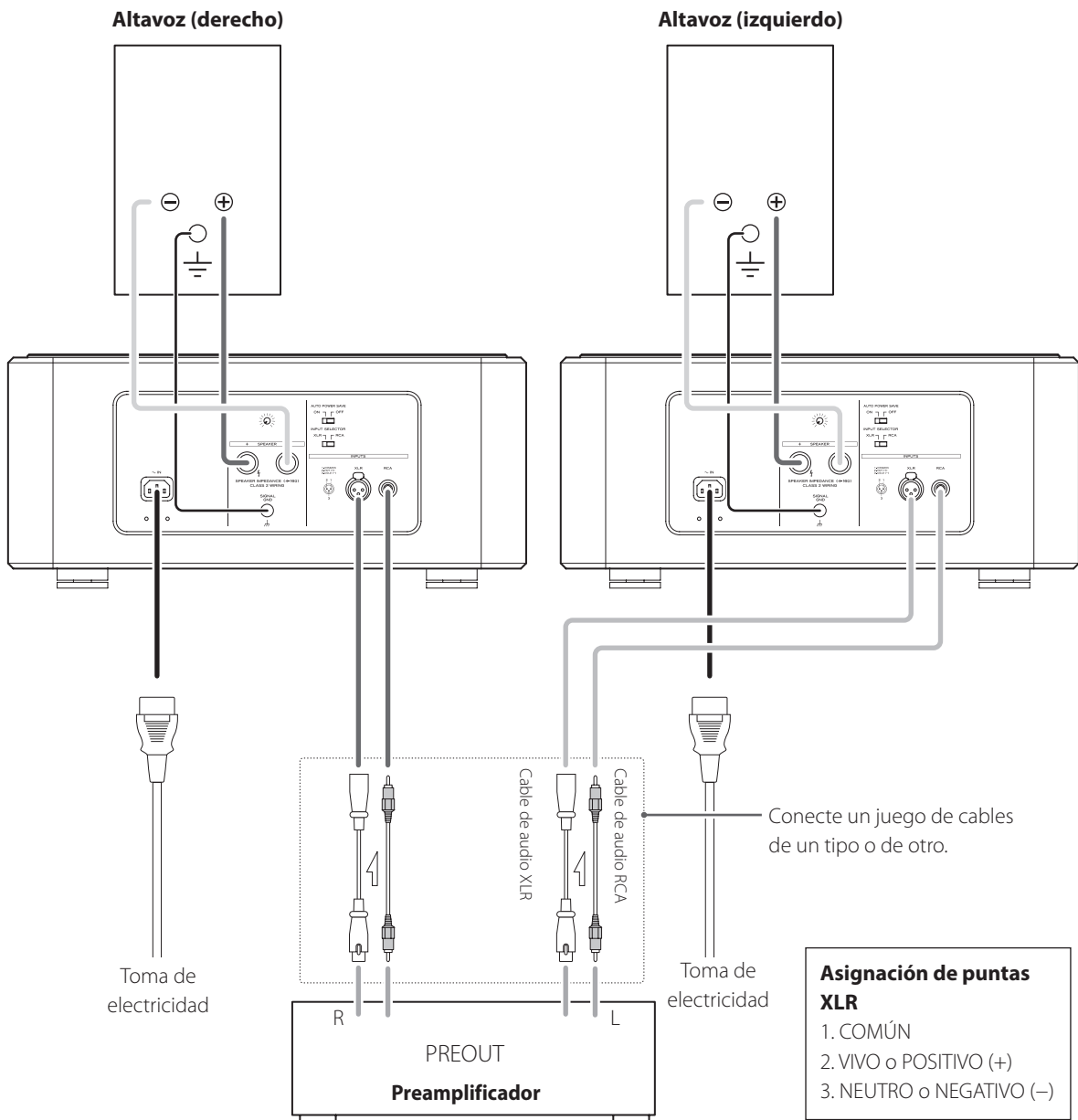
**Termine todas las conexiones antes de enchufar el cable de corriente a la toma de electricidad.**

**Antes de desconectar nada, apague siempre la unidad.**

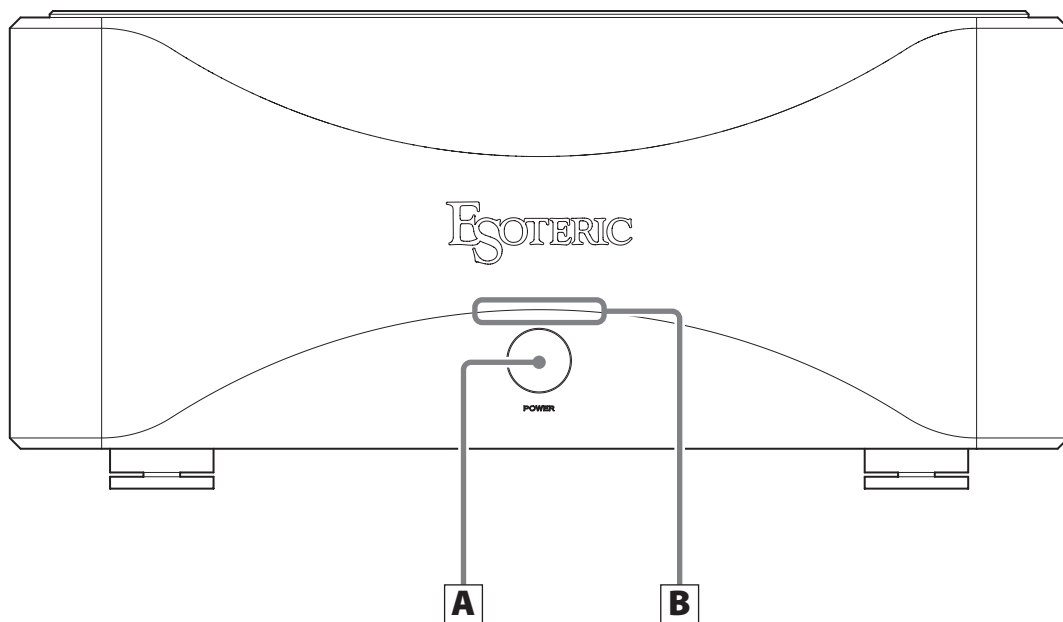
**Lea los manuales de los aparatos que se van a conectar y siga sus instrucciones.**

## ⚠ Precauciones al conectar los cables de altavoz

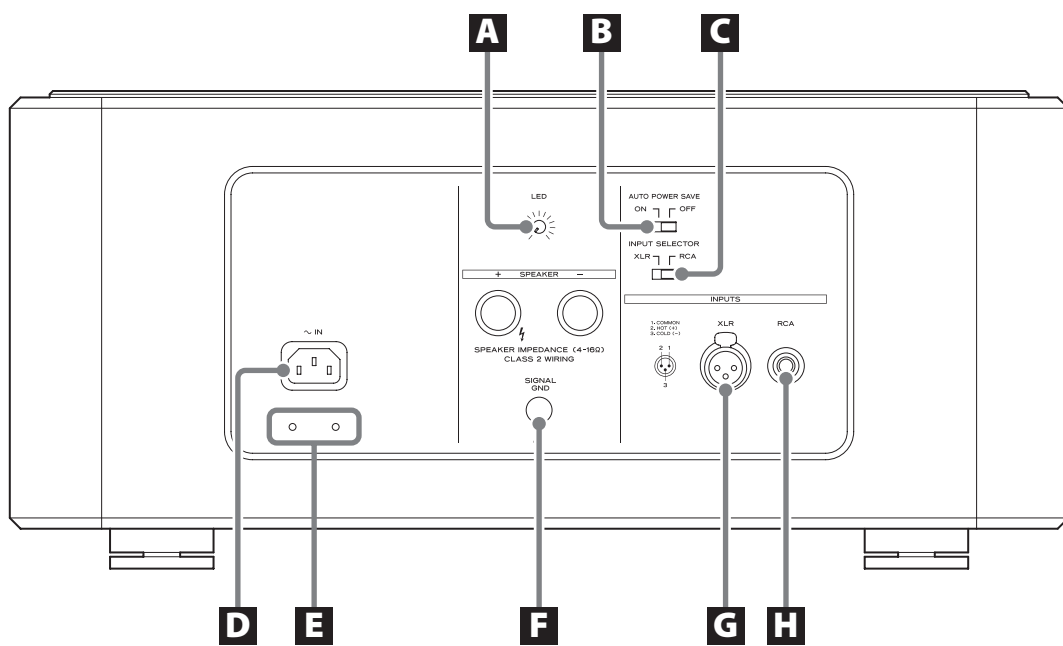
Conecte los cables de altavoz con firmeza, de modo que no se puedan soltar y que los hilos metálicos del cable pelado o los propios conectores no queden expuestos ni puedan entrar en contacto con ninguna otra parte metálica ni con la unidad.



## Panel frontal



## Panel posterior



**A Botón POWER**

Púselo para encender o apagar la unidad.

Después de encender la unidad, el indicador de encendido parpadeará en azul y no saldrá sonido durante unos segundos. Espere hasta que el indicador deje de parpadear y se quede encendido fijo.

- Cuando se activa el circuito de protección, el indicador de encendido se ilumina en azul o en azul y morado alternativamente, y la unidad no emite ningún sonido (página 37).
- Dado que esta unidad tiene un condensador con transformador de corriente de gran tamaño, el transformador de corriente puede generar cierto ruido durante un breve espacio de tiempo después de encender la unidad. Esto es completamente normal y no significa ninguna anomalía de funcionamiento.
- Después de apagar la unidad, espere al menos dos segundos antes de volver a encenderla otra vez.

**B Indicador de encendido**

Se ilumina en azul cuando la unidad está encendida.

**A Mando de ajuste de la intensidad de brillo LED**

Gírelo para ajustar la intensidad de brillo del indicador de encendido.

**B Interruptor AUTO POWER SAVE**

Utilícelo para activar y desactivar la función de ahorro de energía automático.

Cuando se activa (ON), la unidad se apaga automáticamente si no entra ninguna señal de sonido durante 30 minutos o más.

**C Interruptor INPUT SELECTOR**

Utilícelo para cambiar de la entrada RCA a XLR y viceversa.

- ⚠ No cambie de entrada con la unidad encendida. Si lo hace puede causar ruido a alto volumen y lesionar sus oídos, o provocar daños a la unidad o al altavoz conectado.**

**D Entrada para el cable de corriente [~ IN]**

Conecte a esta entrada el cable de corriente suministrado. No lo conecte a una toma de electricidad hasta que no haya terminado todas las demás conexiones.

- ⚠ Utilice exclusivamente un cable de corriente de marca Esoteric. El uso de otros cables de corriente puede provocar fuego o descargas eléctricas.**

**E Orificios de los tornillos para el soporte de apoyo del cable de corriente.**

Utilícelos para fijar el soporte de apoyo del cable de corriente (página 31).

**F Terminal de conexión a tierra [SIGNAL GND]**

Si realiza conexiones a tierra con el altavoz, el preamplificador u otros componentes del equipo utilizando cable revestido de los que se pueden adquirir en establecimientos comerciales (por ejemplo, aislado con PVC), es posible que mejore la calidad del sonido.

- Esta conexión NO es una toma de tierra de seguridad eléctrica.

**G Terminal de entrada XLR**

Utilice un cable XLR balanceado para conectar el terminal de salida del preamplificador a este terminal.

Para utilizar esta entrada, ponga el interruptor INPUT SELECTOR, situado en la parte posterior de la unidad, en XLR.

- Inserte el conector XLR balanceado hasta que se encaje la palanca. Presione esta palanca para desconectarlo.
- El terminal de entrada XLR tiene la punta 2 configurada como "VIVO o POSITIVO". Utilice un cable compatible.
- Inserte el conector completamente. No agrupe ni mezcle los cables de corriente con los de las conexiones. Si lo hace, puede degradarse la calidad del sonido o generarse ruido.

**H Terminal de entrada RCA**

Utilice un cable RCA para conectar el terminal de salida del preamplificador a este terminal.

Para utilizar esta entrada, ponga el interruptor INPUT SELECTOR, situado en la parte posterior de la unidad, en RCA.

- Inserte el conector completamente.
- No agrupe ni mezcle los cables de corriente con los de las conexiones. Si lo hace, puede degradarse la calidad del sonido o generarse ruido.

En Esoteric, utilizamos cables Esoteric **MEXCEL** libres de esfuerzo como referencia.

Para más información, visite nuestra web:

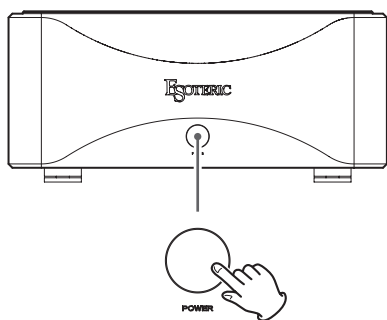
<http://www.esoteric.jp/products/esoteric/accessory/indexe.html>

# Funcionamiento básico

Para proteger los altavoces, al encender y apagar el equipo al que esté conectado esta unidad siga por orden los pasos enumerados a continuación.

## Para encender

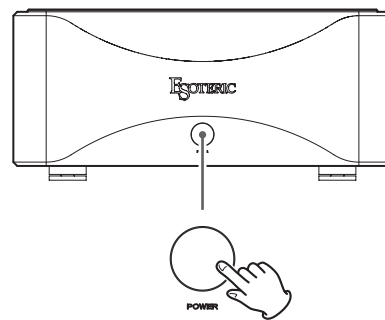
- 1** Ponga la mínimo el volumen del preamplificador.
- 2** Encienda el dispositivo fuente de audio.
- 3** Encienda el preamplificador.
- 4** Encienda esta unidad.



Después de encender la unidad, el indicador de encendido parpadeará en azul y no saldrá sonido durante unos segundos. Espere hasta que el indicador deje de parpadear y se quede fijo antes de ajustar el volumen o realizar otras operaciones.

## Para apagar

- 1** Si hay alguna fuente de audio reproduciéndose, detenga la reproducción.
- 2** Ajuste el volumen del preamplificador al mínimo.
- 3** Apague esta unidad.



- 4** Apague el preamplificador.
- 5** Apague el dispositivo fuente de audio.

- Para garantizar la seguridad, desconecte siempre el cable de corriente de la toma de electricidad cuando limpie la unidad, cuando la traslade de sitio o cuando no vaya a utilizarla durante un largo periodo de tiempo.

Esta unidad lleva incorporados un circuito de protección contra cortocircuitos de salida, un circuito de protección contra sobrecalentamiento y un circuito de protección contra corriente directa.

Cuando el indicador de encendido parpadea en azul o en azul y morado alternativamente, significa que se ha activado uno de los circuitos de protección.

- Si el indicador de encendido parpadea en azul, puede haber ocurrido un cortocircuito con los cables +/- del altavoz. En ese caso, apague la unidad y compruebe las conexiones de dichos cables.
- Si el indicador parpadea en azul y morado alternativamente, la temperatura interna es elevada. Apague la unidad y espere un rato para que descienda la temperatura. También puede cambiar las condiciones de instalación para mejorar la ventilación.
- Si el indicador parpadea en azul y morado alternativamente durante 30 segundos, la unidad se apagará ella sola automáticamente. Si llega a ocurrir esto, el botón de encendido (POWER) estará inoperativo durante tanto tiempo como la temperatura interna siga siendo elevada.

Si el indicador continúa parpadeando incluso aunque se hayan eliminado las causas probables, póngase en contacto con el establecimiento donde adquirió la unidad.

Utilice una paño suave y seco para limpiar la superficie de la unidad. Para manchas difíciles, utilice un paño húmedo que haya sido bien escurrido para eliminar el exceso de líquido.

**⚠ Por seguridad, desconecte el cable de corriente de la toma de electricidad antes de limpiar la unidad.**

- Nunca derrame ni pulverice líquido directamente sobre esta unidad.
- No utilice gamuzas ni paños impregnados con productos químicos, ni disolvente o sustancias similares, ya que pueden dañar la superficie de la unidad.
- Evite que materiales de goma o de plástico estén en contacto con la unidad durante largos períodos de tiempo, ya que pueden dañar la carcasa.

# Solución de posibles fallos

Si experimenta algún problema con esta unidad, por favor tómese un momento para revisar la información que la facilitamos a continuación antes de solicitar asistencia técnica.

Si aún así la unidad no funciona correctamente, póngase en contacto con el establecimiento donde la adquirió.

## La unidad no se enciende.

- ➔ Compruebe que el cable de corriente está enchufado a una toma de electricidad que funciona.
- ➔ Compruebe que el cable de corriente está correctamente conectado a esta unidad.
- ➔ Compruebe si la toma de electricidad es una toma con interruptor. Si lo es, asegúrese de que está encendida. Compruebe que a la toma llega corriente enchufando en ella otro aparato, como por ejemplo una lámpara o un ventilador.

## No sale sonido.

- ➔ Encienda la unidad principal.
- ➔ Compruebe que el preamplificador está encendido. Antes de encender el preamplificador, apague esta unidad.
- ➔ Compruebe que sale señal del preamplificador.
- ➔ Compruebe las conexiones entre esta unidad, el preamplificador y el altavoz, así como el dispositivo fuente de audio y el preamplificador.
- ➔ Compruebe que está seleccionada la entrada correcta en el preamplificador.
- ➔ Compruebe que está seleccionada la entrada correcta en esta unidad.
- ➔ Suba el volumen del preamplificador.

## El indicador de encendido parpadea en azul o en azul y morado alternativamente.

- ➔ Se ha activado un circuito de protección. Apague la unidad y elimine la causa (página 37).
- ➔ Puede haber un cortocircuito con los cables +/- del altavoz. Compruebe las conexiones de los cables del altavoz.

## La posición del sonido estéreo es irregular.

- ➔ Compruebe que ningún altavoz tenga el cable de conexión con la polaridad +/- invertida.

## Prestaciones de audio

Potencia de salida nominal	300 W (8 $\Omega$ ) 600 W (4 $\Omega$ )
Potencia de salida media continua	1200 W (2 $\Omega$ ) 2400 W (1 $\Omega$ ) (1 $\Omega$ limitado a señales de audio)
Respuesta de frecuencias	.5 Hz – 100 kHz (+0 dB, –3 dB, 6 $\Omega$ )
Relación señal/ruido	122 dB (IHF-A)
Distorsión armónica total	0.006% (1 kHz, 8 $\Omega$ , 300 W)
Impedancia compatible mínima	4 $\Omega$
Ganancia	28 dB
Factor de amortiguamiento	1000
Terminales de entrada	RCA $\times$ 1 par XLR $\times$ 1 par
Impedancia de entrada	
RCA	1 M $\Omega$
XLR	1 M $\Omega$

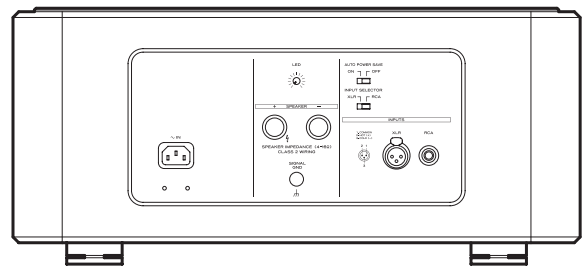
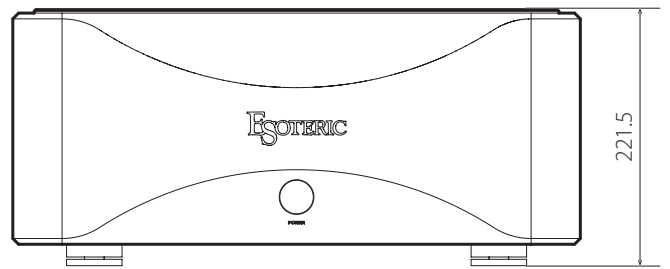
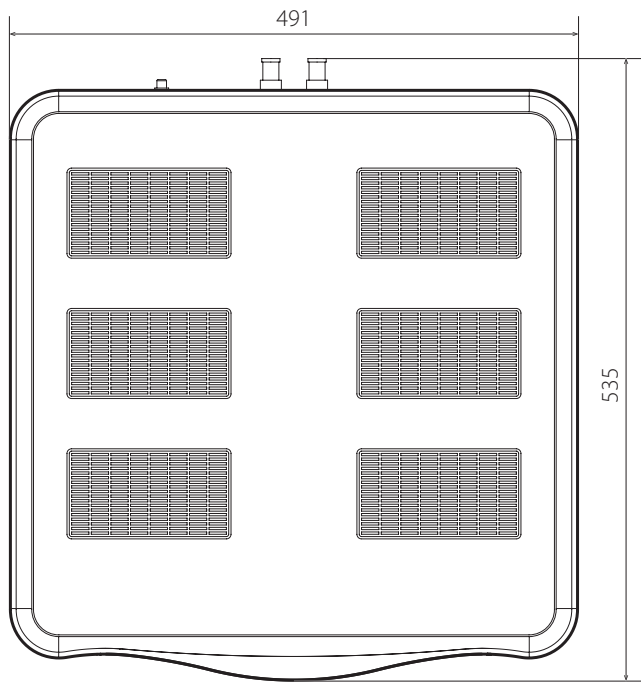
## General

Alimentación	
Modelo para Europa/Hong Kong	CA 230 V, 50 Hz
Modelo para USA/Canadá	CA 120 V, 60 Hz
Modelo para Corea	CA 220 V, 60 Hz
Consumo de corriente	
Modelo para Europa/Hong Kong, Modelo para Corea	430 W (44 W cuando no hay señal)
Modelo para USA/Canadá	520 W (58 W cuando no hay señal)
Dimensiones externas (ancho $\times$ alto $\times$ profundo) (incluidos salientes)	491 $\times$ 221.5 $\times$ 535 (mm)
Peso	62 kg
Temperatura de funcionamiento	de +10° C a +35° C
Humedad de funcionamiento	de 5% a 85% (sin condensación)
Temperatura de almacenamiento	de –20° C a +55° C

## Accesorios incluidos

Cable de corriente	$\times$ 1
Almohadillas de fieltro	$\times$ 4
Soporte de apoyo del cable de corriente	$\times$ 1
Tornillos para el soporte de apoyo del cable de corriente	$\times$ 2
Manual del usuario (este documento)	$\times$ 1
Tarjeta de garantía	$\times$ 1

- Las especificaciones y el diseño están sujetos a cambios sin previo aviso.
- El peso y las dimensiones son aproximados.
- Las ilustraciones de este manual pueden diferir ligeramente de los modelos de producción.











# EGOTERIC

---

**TEAC CORPORATION**

1-47 Ochiai, Tama-shi, Tokyo 206-8530, Japan Phone: +81-42-356-9156 e-mail: eso-os@tec.teac.co.jp

**TEAC AUDIO EUROPE**

Liegnitzer Straße 6, 82194 Gröbenzell, Germany Phone: +49-8142-4208-141

---

This appliance has a serial number located on the rear panel. Please record the serial number and retain it for your records.

**Model name: Grandioso M1**

**Serial number**

---

0114·MA-2004A