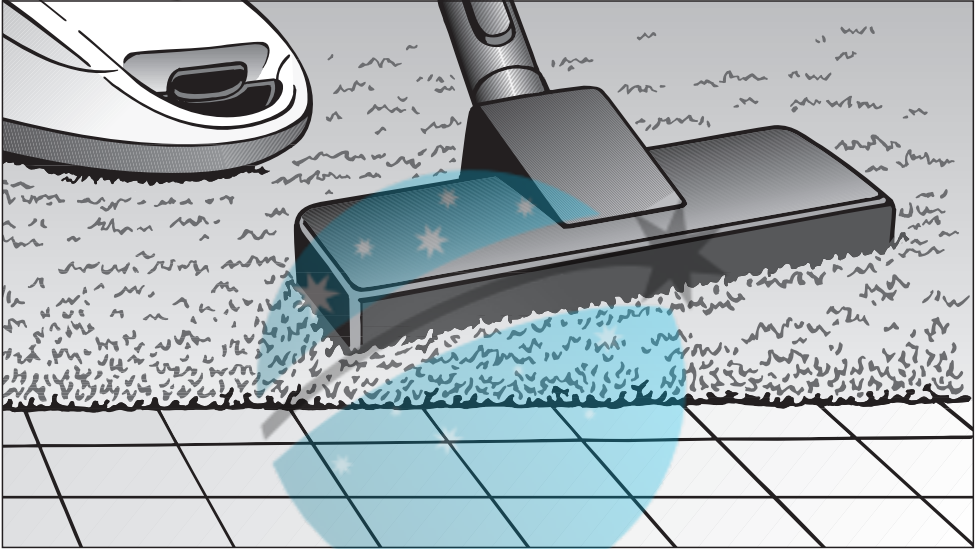


# Miele

## Operating instructions



## Vacuum cleaners

AllergyCosmos

To avoid the risk of accidents or damage to the appliance, it is **essential** to read these instructions before using it for the first time.

These operating instructions apply to the standard S 8000 vacuum cleaners as well as to other models which are distinguished by names rather than numbers.

**HS15**

en - GB

M.-Nr. 09 246 020

# Contents

---

<b>Caring for our environment</b> .....	3
<b>Guide to the appliance</b> .....	4
<b>Warning and Safety instructions</b> .....	6
<b>Preparing for use</b> .....	10
<b>Using the accessories supplied</b> .....	14
<b>Use</b> .....	15
Mains cable .....	15
Switching on and off .....	15
Adjusting the suction power .....	16
+ / – foot controls .....	17
Foot controls with Automatic .....	17
Radio-control handle with Automatic .....	18
Opening the air inlet valve .....	19
Interrupting operation .....	21
<b>Setting down, transportation and storage</b> .....	22
Parking system for pauses in vacuuming .....	22
Parking system for storage .....	23
<b>Maintenance and care</b> .....	25
Purchasing new dustbags and filters .....	25
Ordering the correct dustbags and filters .....	25
When to change the dustbag .....	26
Replacing the dustbag .....	27
When to change the dust compartment filter (for motor protection) .....	28
How to change the dust compartment filter .....	28
When to change the exhaust filter .....	29
Replacing the Air Clean filter .....	30
Replacing an Active Air Clean filter or an Active HEPA filter .....	31
Replacing one type of exhaust filter with another .....	32
When to change the battery in the radio-operated handle .....	33
How to change the battery in the radio-operated handle .....	33
When to change the thread lifters .....	34
Replacing the thread lifters .....	34
<b>Cleaning and care</b> .....	35
<b>Problem solving guide / After sales service</b> .....	36
<b>Optional accessories</b> .....	37
<b>Electrical connection for the UK</b> .....	39

## Caring for our environment

### Disposal of packing material

The packaging is designed to protect the vacuum cleaner from damage during transportation. The packaging materials used are selected from materials which are environmentally friendly for disposal and should be recycled.

Ensure that any plastic wrappings, bags, etc. are disposed of safely and kept out of the reach of babies and young children. Danger of suffocation.

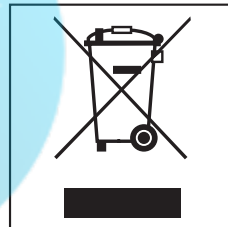
### Disposing of the dustbag and filters

These are made from environmentally friendly materials. The filters can be disposed of with the normal household waste. The dustbag can also be disposed of in this way if it has been used exclusively for general household dust.

### Disposing of your old appliance

Before disposing of your old appliance remove the dustbag and all the filters and dispose of them with your normal household waste.

Electrical and electronic appliances often contain materials which, if handled or disposed of incorrectly, could be potentially hazardous to human health and to the environment. They are, however, essential for the correct functioning of your appliance. Please do not therefore dispose of it with your household waste.



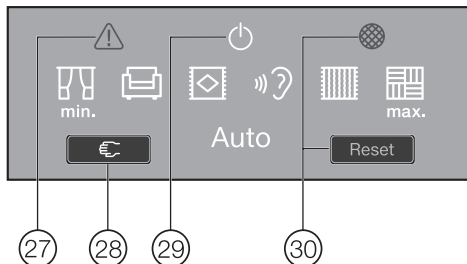
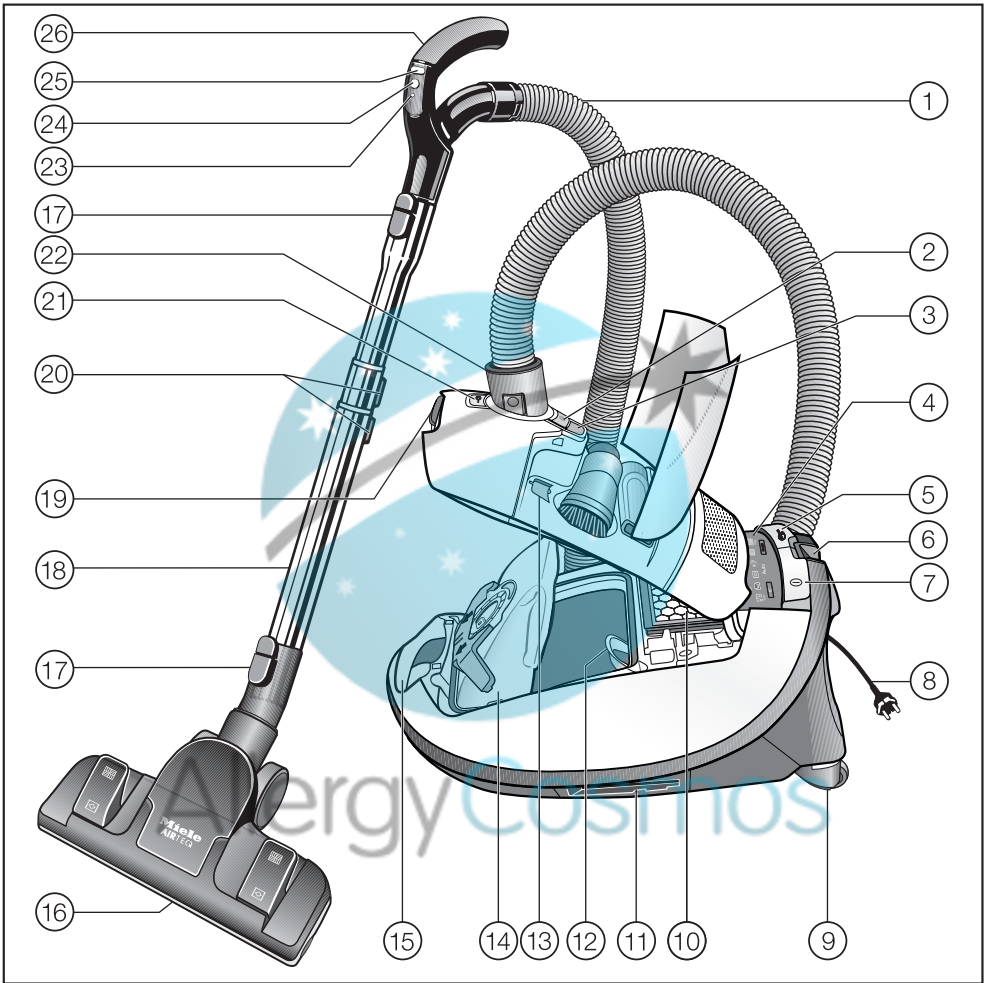
Please dispose of it at your local community waste collection/recycling centre, or contact your dealer for advice.

Ensure that it presents no danger to children while being stored for disposal.

Allergy Cosmos

# Guide to the appliance

The illustration shows the maximum number of features available on these Miele vacuum cleaners.



## Guide to the appliance

---

- ① Suction hose
- ② Release button for accessories compartment
- ③ Dustbag change indicator
- ④ Display \*
- ⑤ Foot switch for automatic cable rewind
- ⑥ Parking system for pauses in vacuuming
- ⑦ On/Off foot control ①
- ⑧ Mains cable
- ⑨ Roller wheels \*
- ⑩ Exhaust filter \*
- ⑪ Parking attachment (on both sides of the vacuum cleaner)
- ⑫ Dust compartment filter (for motor protection)
- ⑬ Electrobrush socket cover holder
- ⑭ Original Miele dustbag
- ⑮ Carrying handle
- ⑯ Floorhead \*
- ⑰ Release button
- ⑱ Telescopic or triscopic tube \*
- ⑲ Dust compartment release button
- ⑳ Release buttons for the telescopic or triscopic tube \*
- ㉑ Socket for Electrobrush \*
- ㉒ Connection socket
- ㉓ LED \*
- ㉔ Stand-by button for pauses in vacuuming \*
- ㉕ Suction power selector + / - \*
- ㉖ Handle (some models have an air inlet valve in the handle) \*
- ㉗ Overheating warning light ⚠ \*
- ㉘ Restart button \*
- ㉙ Stand-by indicator light \*
- ㉚ Exhaust filter change indicator and re-set button \*

Those features marked \* depend on model, and may vary or not be available on your model.

## Warning and Safety instructions

---

This vacuum cleaner meets statutory safety requirements. Improper use can, however, lead to personal injury and damage to property.

To avoid the risk of accidents and damage to the vacuum cleaner, please read these instructions carefully before using it for the first time. They contain important information on its safety, operation and maintenance.

Keep these instructions in a safe place and ensure new users are familiar with the content. Pass them on to any future owner.

Always disconnect the vacuum cleaner from the mains supply when you have finished using it, before changing over accessories, as well as for maintenance work and cleaning. Switch it off at the wall socket and unplug it.

### Correct application

- ▶ This vacuum cleaner is not designed for commercial use. It is intended for use in domestic households and for use in similar working and residential environments.
- ▶ The vacuum cleaner is not intended for outdoor use.
- ▶ The vacuum cleaner must only be used for domestic household purposes to vacuum dry floor surfaces. Do not use on people or animals. Any other usage, modification or alteration is not supported by the manufacturer and could be dangerous.
- ▶ This appliance can only be used by people with reduced physical, sensory or mental capabilities, or lack of experience or knowledge, if they are supervised whilst using it, or have been shown how to use it correctly by a person responsible for their safety.

## Warning and Safety instructions

---

### Safety with children

- ▶ This vacuum cleaner is not a toy! To prevent the risk of injury, do not let children play with the appliance or its controls.
- ▶ Children 8 years and older may use, clean or maintain the vacuum cleaner without adult supervision only if they have been shown how to do so in a safe way and understand the hazards involved.
- ▶ Children under 8 years of age must be kept away from the appliance unless they are constantly supervised.
- ▶ Models with radio controls on the handle: Keep batteries out of the reach of children.

### Technical safety

- ▶ Ensure that the connection data on the data plate (voltage and frequency) match the mains electricity supply exactly.
- ▶ Before using the vacuum cleaner, check for any visible signs of damage. Do not use a damaged appliance.
- ▶ The plug must be fitted with a 13 A fuse (UK).
- ▶ While the vacuum cleaner is under guarantee, repairs should only be undertaken by a service technician authorised by Miele. Otherwise the guarantee will be invalidated.
- ▶ Do not pull or carry the appliance by the cable, and be careful not to damage the cable when withdrawing the plug from the socket. Keep the cable away from sharp edges and do not let it get squashed, for example, under a door. Avoid running the vacuum cleaner over the cable. This could damage the cable, plug or socket. The appliance must not be used if any of these have suffered damage.

## Warning and Safety instructions

---

- ▶ Do not use the vacuum cleaner if the cable is damaged. If the cable is damaged it must be replaced together with a complete cable rewind. For safety reasons this work must be done by the Miele Service Department or a Miele authorised service technician.
- ▶ The socket on the vacuum cleaner (depending on model) must only be used for the Miele Electrobrush specified for use with this appliance.
- ▶ When vacuuming especially fine dust, e.g. sawdust, sand, plaster, flour, talcum powder etc., electrostatic charges build up naturally. Under certain conditions these charges will be released. To avoid the unpleasant effects of these discharges, a metal inlay has been incorporated into the underside of the handle. Please make sure that you keep your hand in constant contact with this metal strip during vacuuming.
- ▶ Do not let the vacuum cleaner get wet. Clean only with a dry cloth or slightly damp cloth when disconnected from the mains supply.
- ▶ Repairs should only be carried out by a Miele authorised service technician. Repairs and other work by unqualified persons could be dangerous. The manufacturer cannot be held liable for unauthorised work.

### Correct use

- ▶ Floor attachments, accessories and tubes must not be used at head level to avoid the risk of injury, e.g. to eyes and ears.
- ▶ To avoid the risk of damage, do not use the vacuum cleaner without the dustbag, dust compartment filter and exhaust filter in place.
- ▶ If the dustbag is not fitted correctly, the dust compartment cover does not normally close. Do not force it.
- ▶ Do not vacuum up anything which has been burning or is still glowing e.g. cigarettes, ashes or coal, whether glowing or apparently extinguished.



## Warning and Safety instructions

---

- ▶ Do not vacuum up any water, liquid or damp dirt. Wait until any freshly cleaned or shampooed carpets or floor coverings are completely dry before attempting to vacuum.
- ▶ Do not vacuum toner dust. Toner, such as that used in printers and photocopiers, can conduct electricity.
- ▶ Do not vacuum up any inflammable or combustible matter or gases and do not vacuum in areas where such substances are stored.
- ▶ Important information on the handling of batteries (for models with radio controls on the handle):
  - Do not short circuit or recharge batteries, or throw them into a fire.
  - Disposing of batteries: Remove the batteries from the radio control handle and dispose of them in your recycling bin. Do not dispose of them with the normal household waste.

### Accessories

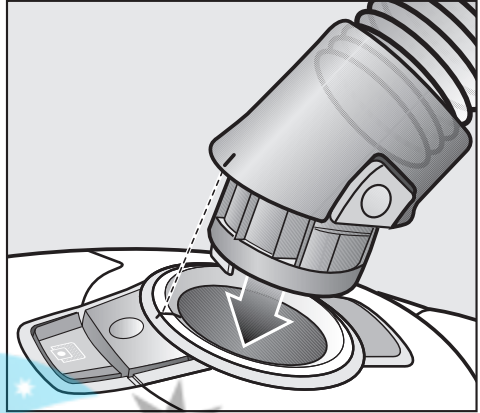
- ▶ To avoid the risk of injury when vacuuming with a Miele Electrobrush or Turbobrush, do not touch the rotating roller brush.
- ▶ The Miele Electrobrush is a motor driven accessory for use only with Miele vacuum cleaners. The vacuum cleaner must not be used with an electrobrush produced by another manufacturer.
- ▶ It is not advisable to vacuum directly with the handle, i.e. without an accessory attached, as the rim could get damaged and you could hurt yourself on sharp edges.
- ▶ Only use genuine dustbags, filters, accessories and optional accessories with the "Original Miele" logo on them. This will ensure optimum performance of the appliance throughout its life.

The manufacturer cannot be held liable for damage caused by incorrect use or operation or by non-compliance with these Warning and Safety instructions.

## Preparing for use

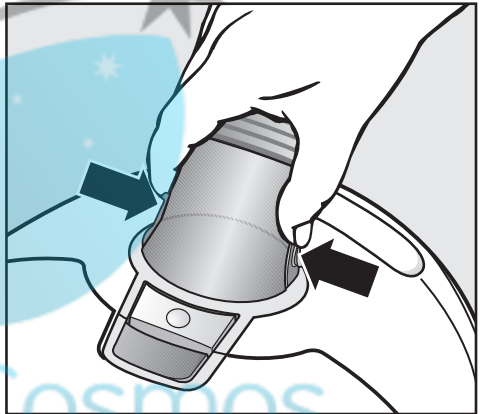
### Attaching the suction hose

- Insert the hose connector into the socket until it clicks into position. To do this, line up the guides on the two pieces.



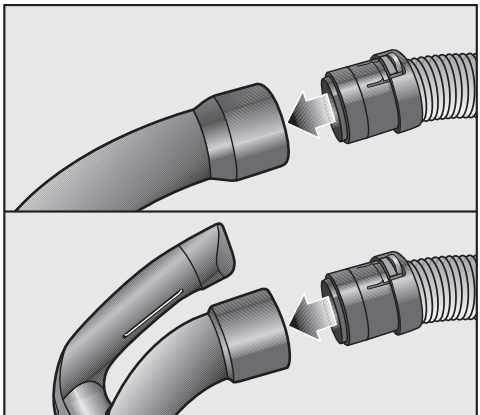
### Removing the suction hose from the cleaner

- Press the release buttons at the side of the hose connector, and lift the hose from the socket.



### Connecting the handle to the suction hose

- Insert the suction hose into the handle until it clicks into position.



## Preparing for use

### Connecting the handle to the suction tube

- Insert the handle into the suction tube until it clicks into position. To do this, line up the guides on the two pieces.
- To release the handle from the suction tube, press the release button and pull the handle away from the tube.

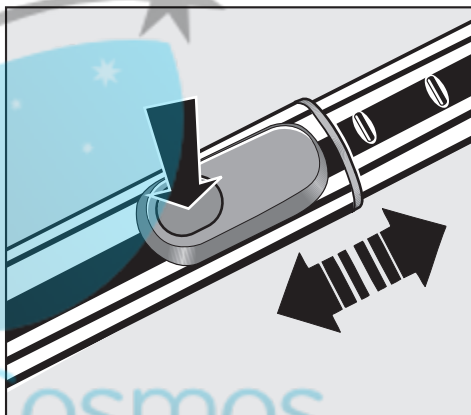
Your vacuum cleaner is fitted with one of the following telescopic tubes, depending on the model:

- Telescopic tube
- Triscopic tube

### Adjusting the telescopic suction tube

One part of the telescopic tube is packed inside the other and can be adjusted to suit your height for comfortable vacuum cleaning.

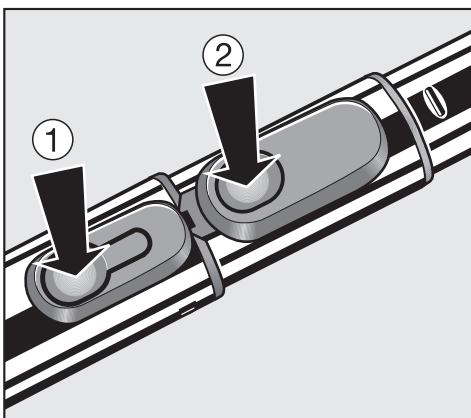
- Press the telescopic tube release button to release the tubes and adjust to the required height.



### Adjusting the triscopic suction tube

The triscopic tube has three sections. Two sections are packed together inside a third outer tube.

- Press the release button (see arrow ①) to release the lower tube and pull it right out until it clicks. Press the button again when you want to retract the tube. The tube will click into place.
- Press button ② and pull the adjustable tube out to the required height.

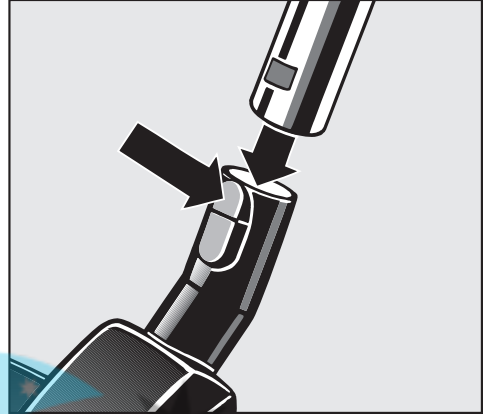


## Preparing for use

---

### Fitting the standard floorhead

- Push the suction tube into the floorhead and turn it clockwise or anti-clockwise until it clicks into position.
- To release the floorhead from the suction tube, press the release button (see arrow) and pull the suction tube away from the floorhead.



The floorhead can be used for all normal cleaning of carpets and rugs. It can also be used with the brush protruding to vacuum hard flooring. For hard flooring, such as stone and parquet, we recommend using one of the special Miele floor brushes (see "Optional accessories").

AllergyCosmos

## Preparing for use

### Adjusting the standard floorhead

Please observe the flooring manufacturer's cleaning and care instructions.

Vacuum carpets and rugs with the brush retracted:

- Press the foot control .

Clean hard flooring which is not susceptible to scratching with the brush protruding:

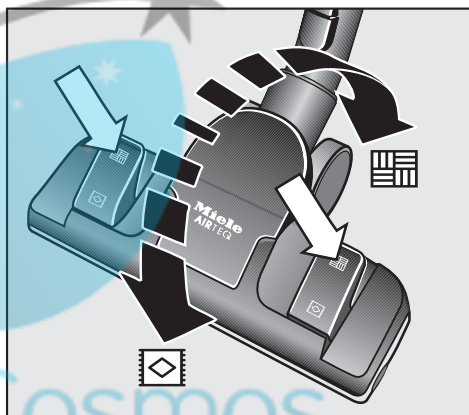
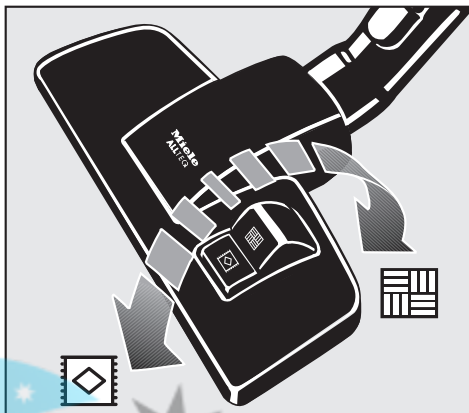
- Press the foot control .

Clean flooring which has deep crevices or grooves with the brush protruding.

### AirTeQ floorhead

This floorhead has been specially developed to achieve excellent cleaning results using low energy. It has particularly low power consumption and high suction capability.

Warning: If the suction power of the AirTeQ floorhead seems too high, reduce the suction until the floorhead is easier to manoeuvre (see "Correct use - adjusting the suction power").



## Using the accessories supplied

### ① Crevice nozzle

For cleaning in folds, crevices or corners.

### ② Natural bristle dusting brush

For dusting shelves, ornate or carved items or delicate objects. The head of the dusting brush can be swivelled to attain the best cleaning position.

### ③ Upholstery nozzle

For cleaning upholstery, mattresses, cushions, curtains, covers etc.

Certain models are supplied as standard with the following accessories which are not illustrated on this page.

- Electrobrush
- Turbobrush
- Classic Allergotec floorhead

These floorheads and brushes are supplied with their own operating instructions.

## To open the accessories compartment

- Press the release button to open the accessories compartment lid.
- Take out the accessory you require.
- Press down firmly on the lid to close it.

## Floorhead

For general use and also for vacuuming stairs.

Warning: For safety reasons when vacuuming stairs it is best to start at the bottom of the stairs and move upwards.

