

S/M No. : OC8H6T7S01

Service Manual

Microwave Oven

Model: KOC-8H6T7S

DAEWOO

✓ **Caution**

: In this Manual, some parts can be changed for improving, their performance without notice in the parts list. So, if you need the latest parts information, please refer to PPL(Parts Price List) in Service Information Center (<http://svc.dwe.co.kr>).

DAEWOO 
ELECTRONICS

Nov. 2008

PRECAUTIONS TO BE OBSERVED BEFORE AND DURING SERVICING TO AVOID POSSIBLE EXPOSURE TO EXCESSIVE MICROWAVE ENERGY

- (a) Do not operate or allow the oven to be operated with the door open.
- (b) Make the following safety checks on all ovens to be serviced before activating the magnetron or other microwave source, and make repairs if necessary: (1) Interlock operation, (2) Proper door closing, (3) Seal and sealing surfaces (arcing, wear, and other damage), (4) Damage to or loosening of hinges and latches (5) Evidence of dropping or abuse.
- (c) Before turning on power to the microwave oven for any service test or inspection within the microwave generating compartments, check the magnetron, wave guide or transmission line, and cavity for proper alignment, integrity, and connections.
- (d) Any defective or misadjusted components in the interlock, monitor, door seal and microwave generation and transmission systems shall be repaired, replaced, or adjusted by procedures described in this manual before the oven is released to the owner.

TABLE OF CONTENTS

1. SAFETY AND PRECAUTIONS	2
2. SPECIFICATIONS	3
3. EXTERNAL VIEW	4
3-1. OUTER DIMENSION	4
3-2. FEATURE DIAGRAM	5
4. INSTALLATION	6
5. CONTROL PANEL	7
6. DISASSEMBLY AND ASSEMBLY	9
7. INTERLOCK MECHANISM AND ADJUSTMENT	18
8. TROUBLE SHOOTING GUIDE	19
9. MESUREMENT AND TEST	24
9-1. MEASUREMENT OF THE MICROWAVE POWER OUTPUT	24
9-2. MICROWAVE RADIATION TEST	25
9-3. COMPONENT TEST PROCEDURE	26
9-4. COMPONENT ACTION	27
10. WIRING DIAGRAM	28
11. EXPLODED VIEW AND PARTS LIST	29
12. PRINTED CIRCUIT BOARD	32
13. P.C.B PATTERN DIAGRAM	33
14. P.C.B. CIRCUIT DIAGRAM	34

1. SAFETY AND PRECAUTIONS

1. FOR SAFE OPERATION

Damage that allows the microwave energy (that cooks or heats the food) to escape will result in poor cooking and may cause serious bodily injury to the operator.

IF ANY OF THE FOLLOWING CONDITIONS EXIST, OPERATOR MUST NOT USE THE APPLIANCE.

(Only a trained service personnel should make repairs.)

- (1) A broken door hinge.
- (2) A broken door viewing screen.
- (3) A broken front panel, oven cavity.
- (4) A loosened door lock.
- (5) A broken door lock.

The door gasket plate and oven cavity surface should be kept clean.

No grease, soil or spatter should be allowed to build up on these surfaces or inside the oven.

DO NOT ATTEMPT TO OPERATE THIS APPLIANCE WITH THE DOOR OPEN.

The microwave oven has concealed switches to make sure the power is turned off when the door is opened.

Do not attempt to defeat them.

DO NOT ATTEMPT TO SERVICE THIS APPLIANCE UNTIL YOU HAVE READ THIS SERVICE MANUAL.

2. FOR SAFE SERVICE PROCEDURES.

1. If the oven is operative prior to servicing, a microwave emission check should be performed prior to servicing the oven.
2. If any certified oven unit is found to servicing, a microwave emission check should be performed prior to servicing the oven.
 - (1) inform the manufacturer, importer or assembler,
 - (2) repair the unit at no cost to the owner,
 - (3) attempt to ascertain the cause of the excessive leakage,
 - (4) tell the owner of the unit not to use the unit until the oven has been brought into compliance.
3. If the oven operates with the door open, the service person should tell the user not to operate the oven and contact the manufacturer immediately.

IMPORTANT

The wire in this mains lead coloured in accordance with the following code.

Green-and-yellow	: Earth
Blue	: Neutral
Brown	: Live

As the colours of the wires in the mains lead of this appliance may not correspond with the coloured markings identifying the terminals in your plug, proceed as follows:

The wire which is coloured green-and-yellow must be connected to the terminal in the plug which is marked with the letter 'E', earth symbol or coloured green-and-yellow.

The wire which is coloured blue must be connected to the terminal which is marked with the letter 'N' or coloured black.

The wire which is coloured brown must be connected to the terminal which is marked with the letter 'L' or coloured red.

NOTE : This oven is designed for counter-top use only.

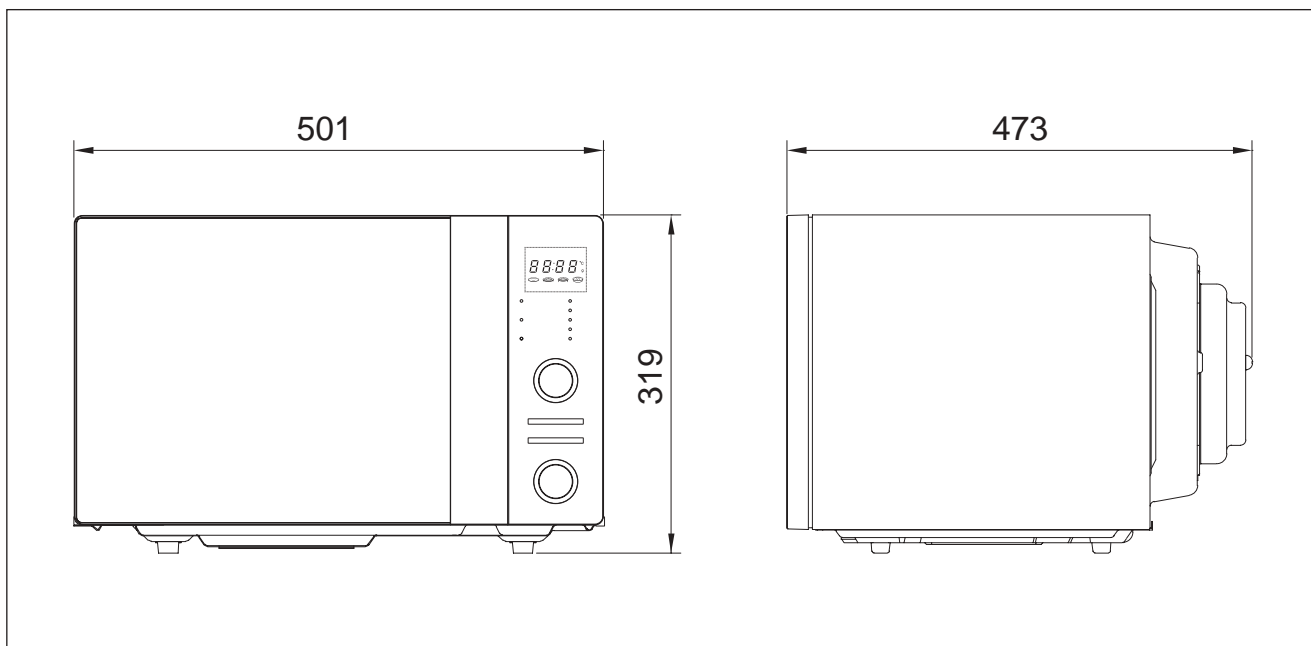
2. SPECIFICATIONS

MODEL	KOC-8H6T7S	
POWER SUPPLY	230V~50HZ, SINGLE PHASE WITH EARTHING	
POWER CONSUMPTION	MICROWAVE	1400W
	GRILL	850W
	COMBECTION	1850W
	COMBINATION	2500W
MICROWAVE ENERGY OUTPUT	900W(IEC705)	
MICROWAVE FREQUENCY	2450MHz	
OUTSIDE DIMENSIONS (W X H X D)	501X473X391mm (19.7X18.6X12.6 in.)	
CAVITY DIMENSIONS (W X H X D)	310X328X232mm (12.2X12.9X9.1 in.)	
NET WEIGHT	APPROX. 18kg (39.6 lbs.)	
TIMER	60 minutes	
FUNCTION SELECTIONS	MICROWAVE/ GRILL/ CONVECTION/ COMBINATION	
POWER SELECTIONS	10 LEVELS	
CAVITY VOLUME	0.83 Cu. Ft	

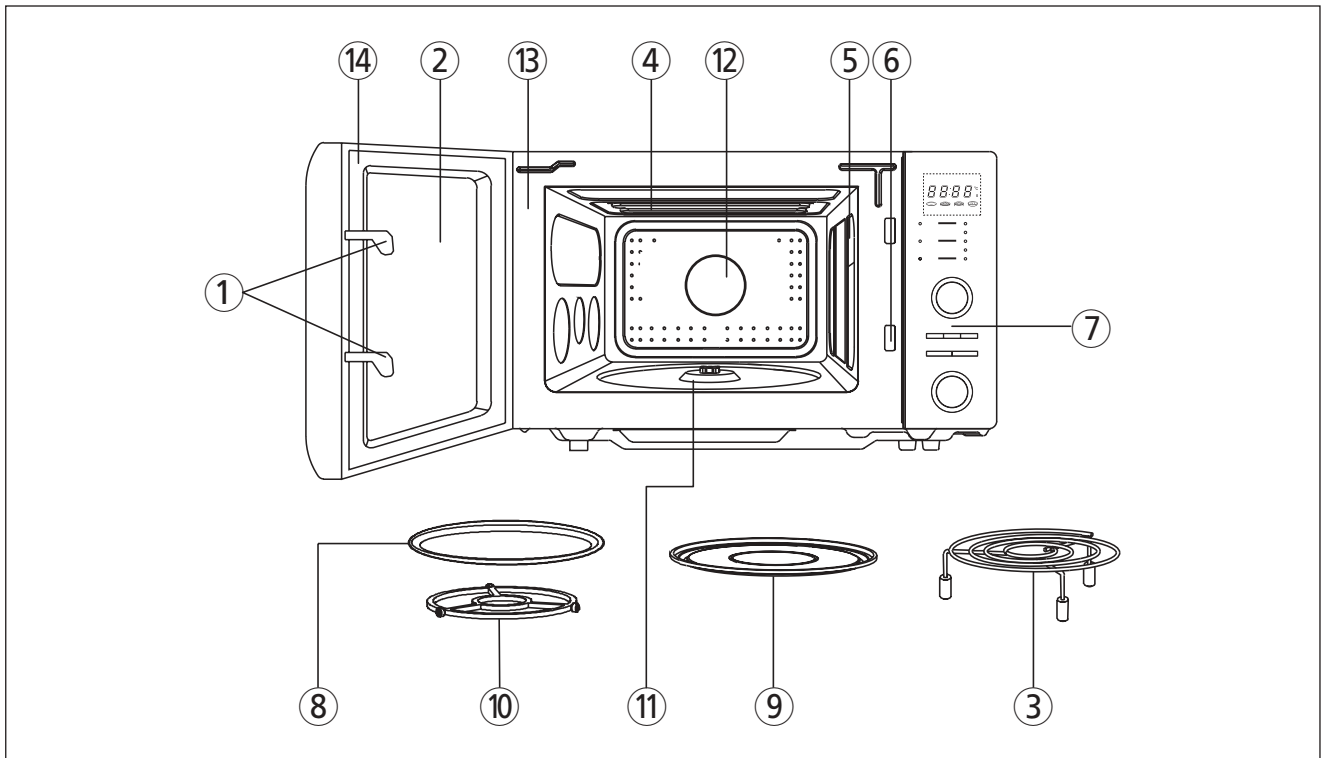
* Specifications are subject to change without notice.

3. EXTERNAL VIEW

1. OUTER DIMENSION



2. FEATURE DIAGRAM



1. DOOR HOOK

When the door is closed, it will automatically lock shut. If door is opened while oven is operating, the magnetron will immediately stop operating.

2. DOOR VIEWING SCREEN

Allows viewing of food. The screen is designed so that light can pass through, but not the microwave.

3. METAL RACK

4. TOP HEATER

Turns on when convection, grill and combi cooking is selected.

5. OVEN LAMP

Automatically turns on during oven operating.

6. SAFETY INTERLOCK SYSTEM

7. CONTROL PANEL

8. GLASS TURNTABLE

Turntable Center the tray on the roller guide when using the microwave features.

Place food or microwave-safe cookware directly on the glass turntable.

***NOTE :Glass Turntable is attached to the right cushion.**

9. METAL TRAY

Put food or appropriate cookware directly on the metal tray and place on the glass turntable and then place on the roller guide when using convection cooking, combination cooking, auto cooking or grill cooking.

10. ROLLER GUIDE

This must always be used for cooking together with the turntable tray.

11. COUPLER

This fits over the shaft in the center of the oven's cavity floor. This is to remain in the oven for all cooking.

12. CONVECTION OUTLET & FAN

13. OVEN FRONT PLATE

14. DOOR SEAL

Door seal maintains the microwave energy within the oven cavity and prevents microwave leakage.

4. INSTALLATION

1. Steady, flat location

This microwave oven should be set on a steady, flat surface.
This microwave oven is designed for counter top use only.

2. Leave space behind and side

All air vents should be kept a clearance. If all vents are covered during operation, the oven may overheat and, eventually, cause failure.

3. Away from Radio and TV sets

Poor television reception and radio interference may result if the oven is located close to a TV, Radio, antenna or feeder and so on.
Position the oven as far from them as possible.

4. Away from heating appliances and water taps

Keep the oven away from hot air, steam or splash when choosing a place to position it, or the insulation might be adversely affected and breakdowns occur.

5. Power supply

- Check your local power source. This microwave oven requires a current of approximately 11 amperes, 230V, 50Hz.
- Power supply cord is about 1.0 meters long.
- The voltage used must be the same as specified on this oven. Using a higher voltage may result in a fire or other accident causing oven damage. Using low voltage will cause slow cooking. We are not responsible for damage resulting from use of this oven with a voltage of ampere fuse other than those specified.
- This appliance is supplied with cable of special type, which, if damaged, must be repaired with cable of same type.
- Such a cable can be purchased from DAEWOO and must be installed by a Qualified Person.

6. Examine the oven after unpacking for any damage such as:

A misaligned door, broken door or a dent in cavity.
If any of the above are visible, DO NOT INSTALL, and notify dealer immediately.

7. Do not operate the oven if it is colder than room temperature.

(This may occur during delivery in cold weather.) Allow the oven to become room temperature before operating.

EARTHING INSTRUCTIONS

This appliance must be earthed. In the event of an electrical short circuit, earthing reduces the risk of the electric shock by providing an escape wire for the electric current. This appliance is equipped with a cord having a earthing wire with a earthing plug. The plug must be plugged into an outlet that is properly installed and earthed.

WARNING

Improper use of the earthing plug can result in a risk of electric shock.

Consult a qualified electrician or serviceman if the earthing instructions are not completely understood, or if doubt exists as to whether the appliance is properly earthed, and either:

If it is necessary to use an extension cord, use only a 3-wire extension cord that has a 3-blade earthing plug, and a 3-slot receptacle that will accept the plug on the appliance.

The marked rating of the extension cord should be equal to or greater than the electrical rating of the appliance, or Do not use an extension cord.

5. CONTROL PANEL



- ① ● Auto Cook
 - 1. Roast Pork
 - 2. Roast Beef
 - 3. Roast Chicken
 - 4. Baked Fish
 - 5. Fresh Vegetable
- ② ● Instant Cook
 - 1. Frozen Hamburger
 - 2. Sausage
 - 3. Baked Potato
 - 4. Frozen Pizza
 - 5. Frozen Vegetable
- ③ ● Steam Cleaning
- ④ ● Convection
- ⑤ ● Auto Defrost
- ⑥ ● M/W
- ⑦ ● Grill
- ⑧ ● Combi

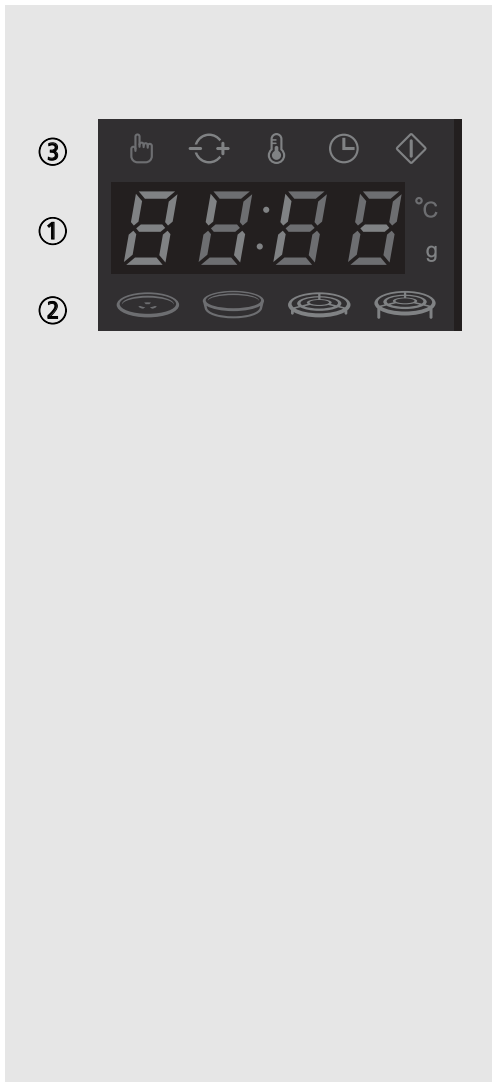
• LED LAMP

- ① **Auto Cook** : Show “Auto Cook” cooking in progress. (5 menus)
- ② **Instant Cook** : Show “Instant Cook” cooking in progress. (5 menus)
- ③ **Steam Cleaning** : Show steam cleaning in progress.
- ④ **Convection** : Show “Convection” cooking including fermentation function in progress.
- ⑤ **Auto Defrost** : Show auto defrosting in progress.
- ⑥ **M/W** : Show “microwave” cooking in progress.
- ⑦ **Grill** : Show grilling in progress.
- ⑧ **Combi** : Show “Combi” cooking in progress.

• BUTTONS AND DIAL KNOBS

- ⑨ **Menu Dial Knob** :
Used to select cooking mode by turning the dial knob.
- Press the Dial Knob. The Dial Knob could be inserted in.
- Press once more. The Dial Knob is pulled out.
- ⑩ **Clock** : Used to set clock.
- ⑪ **Check** :
Used to check the selected cooking mode when the oven is operating.
- When pressing the Check button on operating. Cooking mode is displayed for five seconds.
- ⑫ **Selection**(): Used to select.
- ⑬ **Stop/Clear**():
used to stop the oven operation or to delete the cooking data.
- ⑭ **Start/Speedy Cook** ():
Press to start , also for speedy start of microwave cooking.
- Each press adds 30 seconds microwave cooking time.
- ⑮ **Control Dial Knob** ():
Used to set cooking number,time,temperature, weight and quantity by turning the dial knob.
- Press the Dial Knob. The Dial Knob could be inserted in.
- Press once more. The Dial Knob is pulled out.

DISPLAY




① THE NUMBER AND LETTER DISPLAY

Clock, cooking time, temperature and locking etc are displayed.


② THE ACCESSORY DISPLAY

The accessory used on cooking light in display.
Use the lighting accessory on cooking.

 : means Glass Turntable Tray.

 : means Metal Tray.

 : means Low Metal Rack.

 : means High Metal Rack.

example)







If the display lights like example.


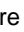

Please use the Glass Turntable Tray and the Metal Tray



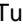
③ OPERATION GUIDE DISPLAY



Use the oven easily by following the operation guide display.

- Selection : If  is blinking, press the Selection button().

- Control : If  is blinking, turn the Control Dial Knob().

- Temperature : Whenever  is lighting, Control () is blinking.
Turn the Control Dial Knob () to set temperature

- Cooking time : Whenever  is lighting, Control() is blinking.
Turn the Control Dial Knob() to set cooking time

- Start : If  is blinking, press the Start/Speedy Cook button().

6. DISASSEMBLY AND ASSEMBLY

- Cautions to be observed when trouble shooting.

Unlike many other appliances, the microwave oven is high-voltage, high-current equipment. It is completely safe during normal operation. However, carelessness in servicing the oven can result in an electric shock or possible danger from a short circuit. You are asked to observe the following precautions carefully.

1. Always remove the power plug from the outlet before servicing.
2. Use an insulated screwdriver and wear rubber gloves when servicing the high voltage side.
3. Discharge the high voltage capacitor before touching any oven components or wiring.

(1) Check the grounding.

Do not operate on a two-wire extension cord.

The microwave oven is designed to be used while grounded.

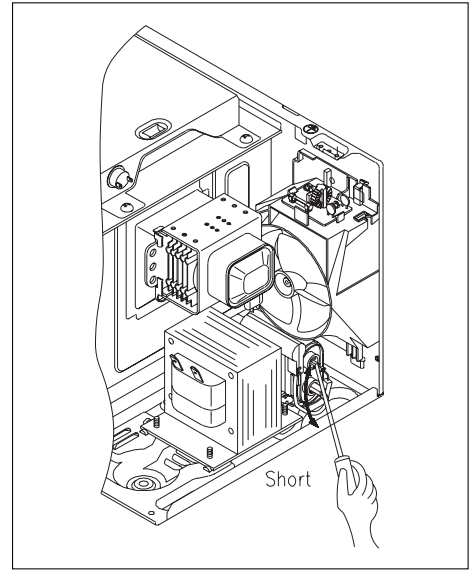
It is imperative, therefore, to make sure it is grounded properly before beginning repair work.

(2) Warning about the electric charge in the high voltage capacitor.

For about 30 seconds after the operation has stopped, electric charge remains in the high voltage capacitor.

When replacing or checking parts, short between oven chassis and the negative high terminal of the high voltage capacitor by using a properly insulated screwdriver to discharge.

4. When the 15A fuse is blown out due to the operation of the monitor switch; replace primary interlock switch, secondary interlock switch and interlock monitor switch.
5. After repair or replacement of parts, make sure that the screws are properly tightened, and all electrical connections are tightened.
6. Do not operate without cabinet.

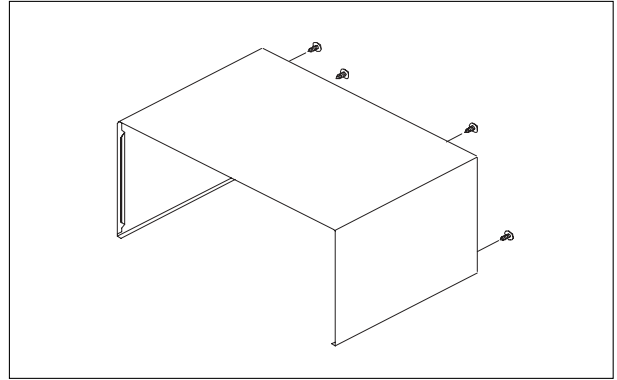


CAUTION : Service personnel should remove their watches whenever working close to or replacing the magnetron.

WARNING : When servicing the appliance, take care when touching or replacing high potential parts because of electrical shock or exposing microwave. These parts are as follows - HV Transformer, Magnetron, HV Capacitor, HV Diode.

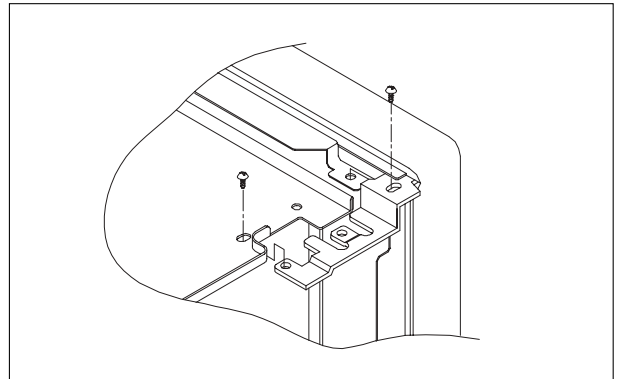
1. To remove cabinet

- 1) Remove four screws on cabinet back.
- 2) Push the cabinet backward.



2. To remove guide wind assembly

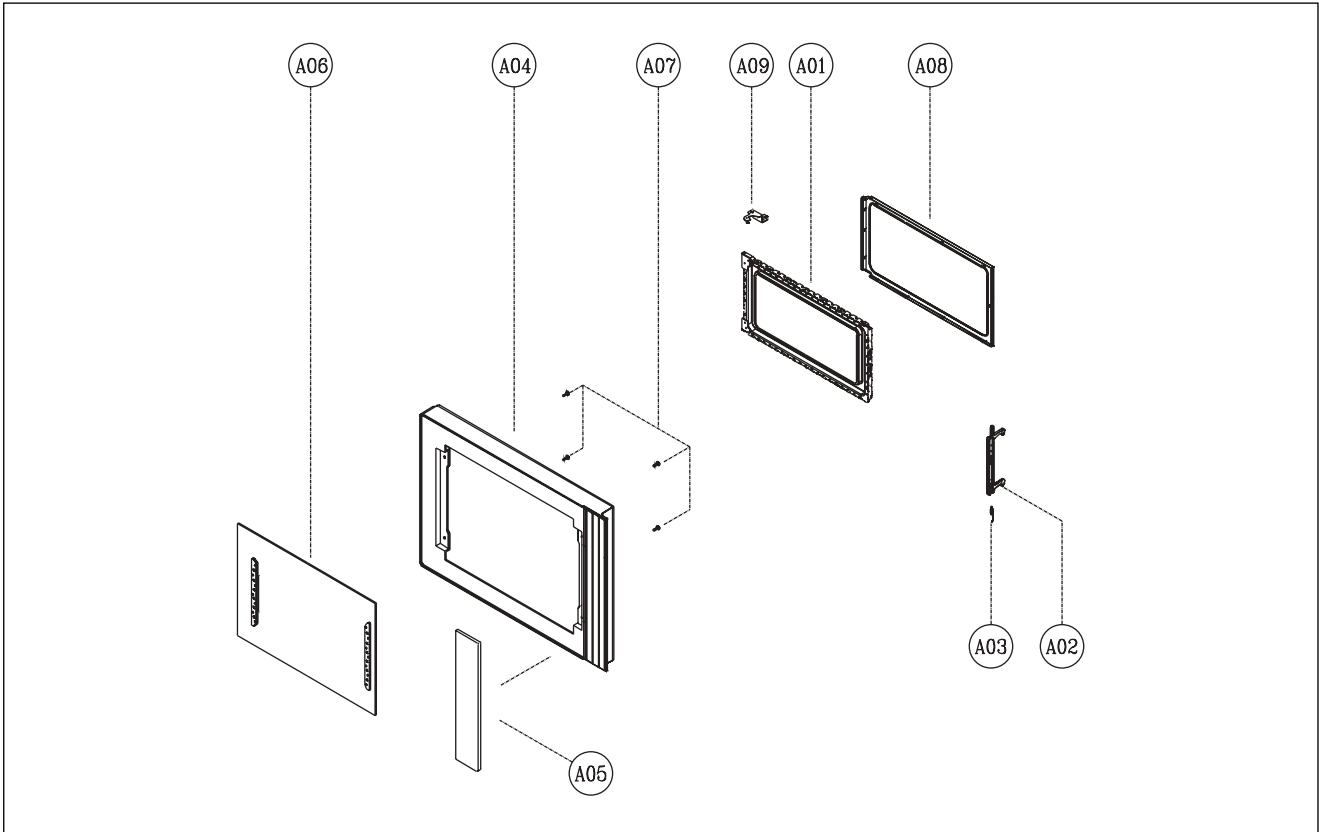
- 1) Remove two screws which secure the stopper hinge top.
- 2) Remove the door assembly from top plate of cavity.
- 3) Reverse the above for assembly.



NOTE: After replacting the door assembly, perform a check of correct alignment with the hinge and cavity front plate.

✓ **Caution** : In this Manual, some parts can be changed for improving, their performance without notice in the parts list. So, if you need the latest parts information, please refer to PPL(Parts Price List) in Service Information Center (<http://svc.dwe.co.kr>).

3. To remove door parts.



REF NO.	PART CODE	PART NAME	DESCRIPTION	Q'TY	REMARK
A01	3516601400	DOOR-PLATE	SBHG-1A T0.7	1	
A02	3513101310	HOOK	POM	1	
A03	3515101310	SPRING HOOK	HSW-3	1	
A04	3512209940	FRAME DOOR	XR-401, SR-0320	1	
A05	3511616310	DECORATOR DOOR	AL TO.6	1	
A06	3517009650	BARRIER-SCREEN *O SEAL AS	KOC-8H6TKS SILICON	1	
A07	7122401211	SCREW TAPPING	T2S TRS 4X12 MFZN	4	
A08	3512301300	GASKET DOOR	PBT	1	
A09	3515203600	STOPPER HINGE *T AS	KOC-970T1S	1	

- 1) Remove the gasket door from door plate
- 2) Remove frame door from door plate.
- 3) Remove the stopper hinge top from door plate
- 4) Remove the spring and the hook
- 5) Remove screws from door plate
- 6) Remove barrier screen outer from frame door
- 7) Reverse the above steps for reassembly

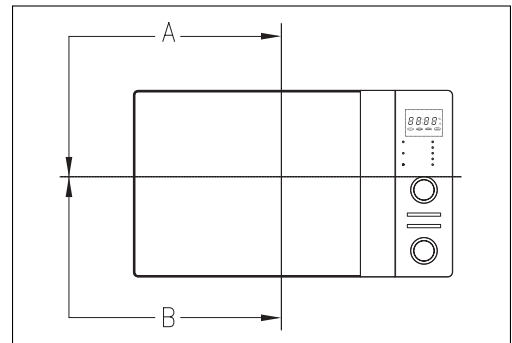
4. Method to reduce the gap between the door seal and the oven front surface.

(1) To reduce gap located on part 'A'.

- Loosen two screws on stopper hinge top, and then push the door to contact the door seal to oven front surface.
- Tighten two screws.

(2) To reduce gap located on part 'B'.

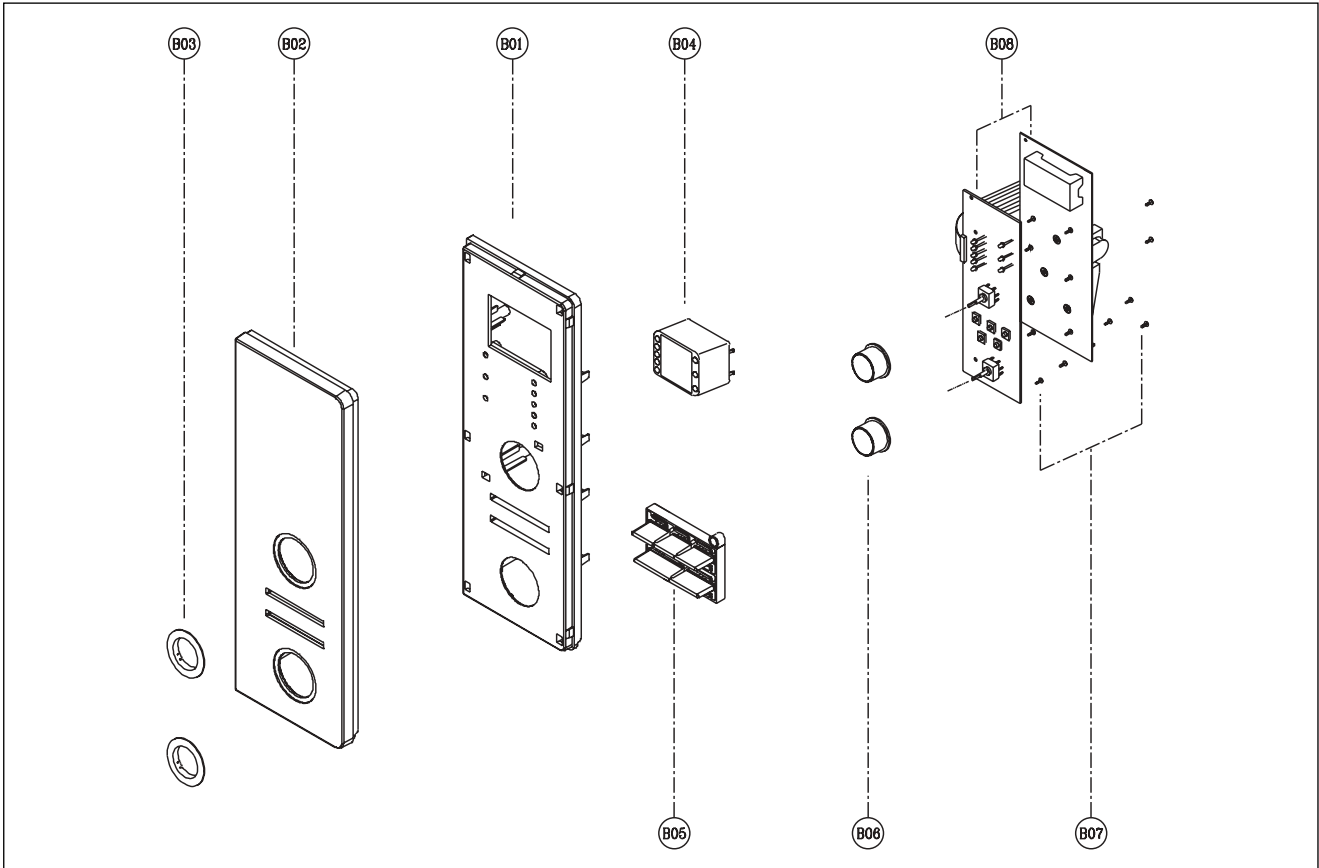
- Loosen two screws on stopper hinge under, and then push the door to contact the door seal to oven front surface.
- Tighten two screws.



NOTE : A small gap may be acceptable if the microwave leakage does not exceed 4mW/cm².

✓ **Caution** : In this Manual, some parts can be changed for improving, their performance without notice in the parts list. So, if you need the latest parts information, please refer to PPL(Parts Price List) in Service Information Center (<http://svc.dwe.co.kr>).

5. To remove control panel parts.

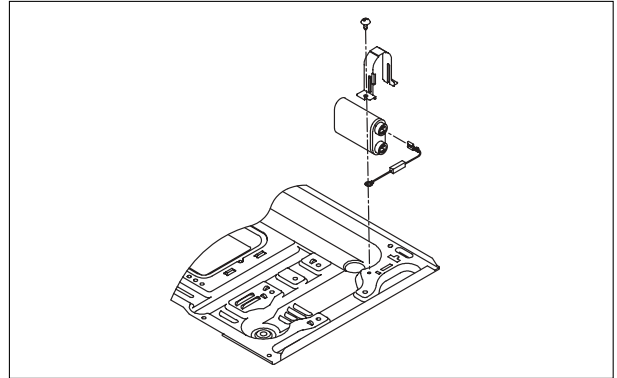


REF NO.	PART CODE	PART NAME	DESCRIPTION	Q'TY	REMARK
B01	3516734520	CONTROL-PANEL	SG-175, SG-0760D	1	
B02	3511616210	DECORATOR C-PANEL	ABS LLT-0510	1	
B03	3511616940	DECORATOR RING	COATING SG-175, SG-0760D	2	
B04	3513005000	HOLDER LED	SG-175, SG-0760D	1	
B05	3516917300	BUTTON FUNCTION	SG-175, SG-0760D	1	
B06	3013413300	KNOB DIAL AS	FR-N202FPR	2	
B07	7122401211	SCREW TAPPING	T2S TRS 4X12 MFZN	11	
B08	PKMPMSGM10	PCB MAIN MANUAL AS	KOC-8H6T7S	1	

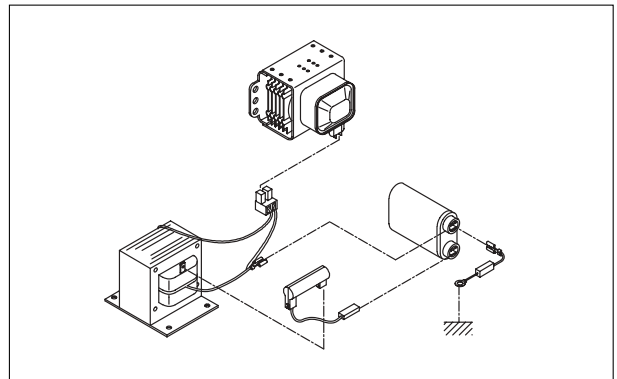
- 1) Remove the screws
- 2) Pull out the Main PCB assembly
- 3) Pull out the Knob Dial AS
- 4) Remove the Holder LED
- 5) Remove the button function
- 6) Remove decorator ring from control-panel
- 7) Remove decorator c-panel from control-panel
- 8) Reverse the above steps for reassembly

6. To remove high voltage capacitor.

- 1) Remove a screw which secure the grounding ring terminal of the H.V. diode and the capacitor holder.
- 2) Remove the H.V. diode from the capacitor holder.
- 3) Reverse the above steps for reassembly.

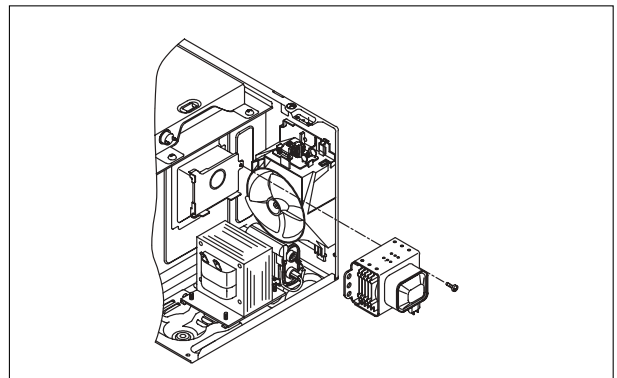


◆ High voltage circuit wiring

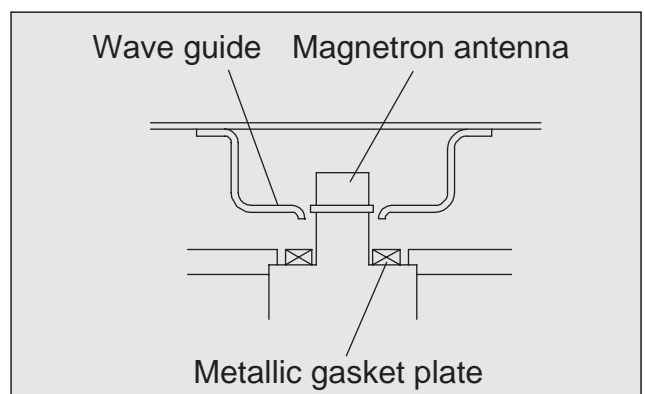
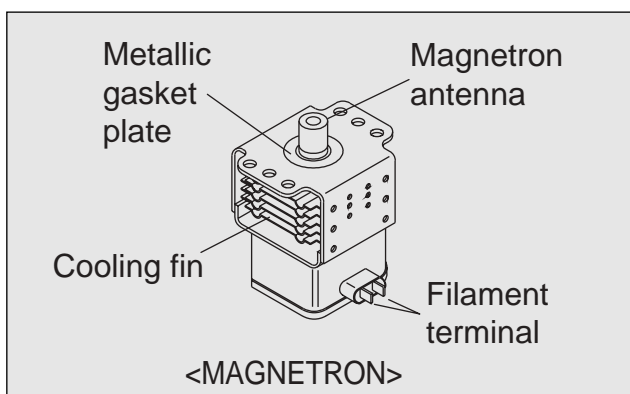


7. To remove magnetron.

- 1) Remove a screw which secure the magnetron.
- 2) Remove the magnetron.
- 3) Reverse the above steps for reassembly.

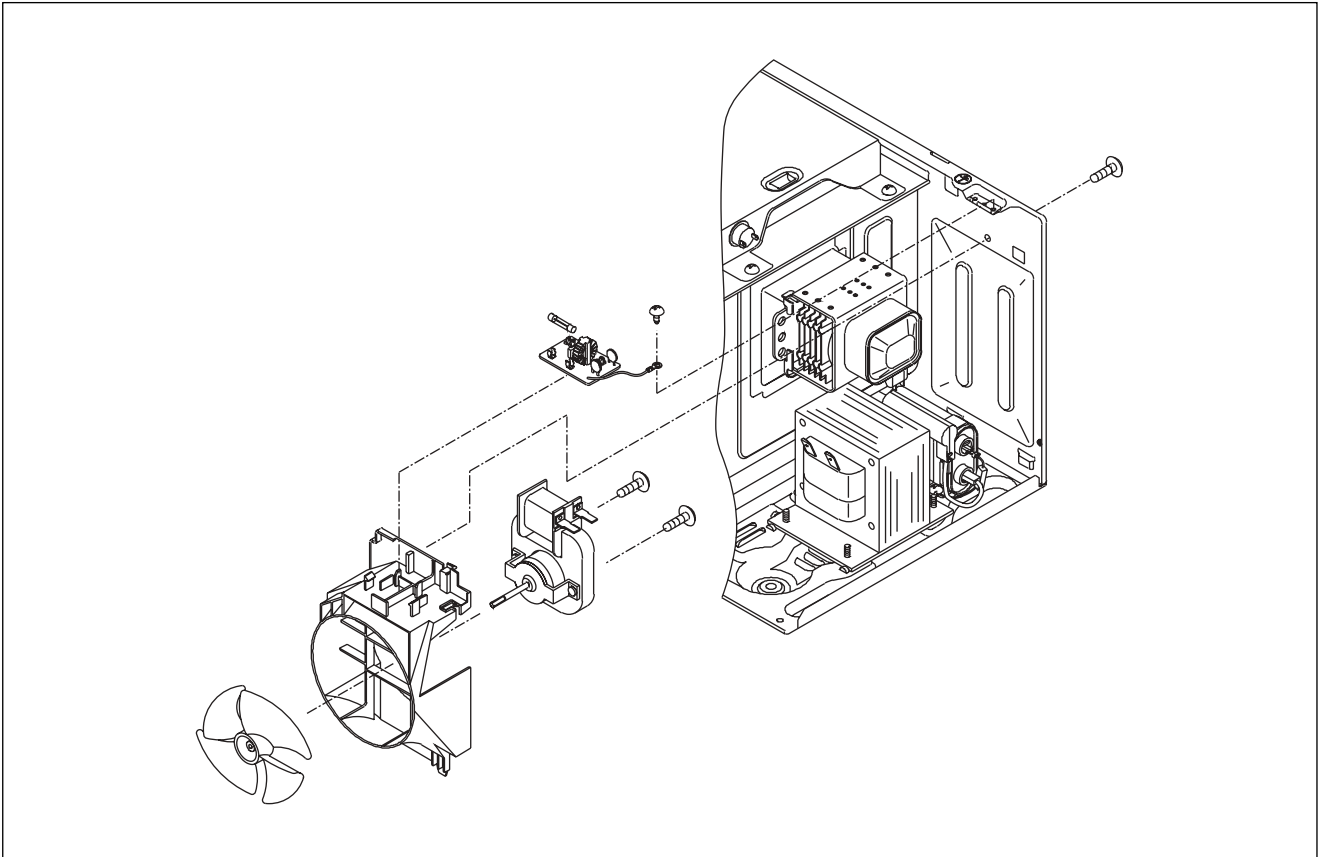


CAUTION : Never install the magnetron without the metallic gasket plate which is packed with each magnetron to prevent microwave leakage. Whenever repair work is carried out on magnetron, check the microwave leakage. It shall not exceed $4\text{mW}/\text{cm}^2$ for a fully assembled oven with door normally closed.



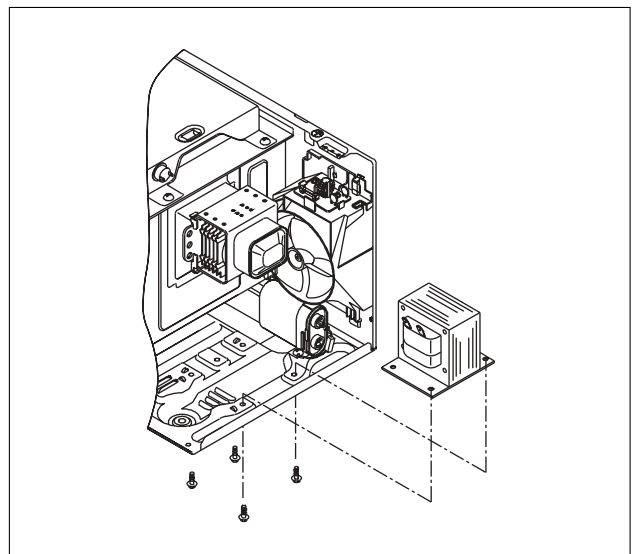
8. To remove wind guide assembly.

- 1) Remove a screw for earthing.
- 2) Remove the noise filter from the wind guide.
- 3) Remove a screw which secure the wind guide assembly.
- 4) Draw forward the wind guide assembly.
- 5) Pull the fan from the motor shaft.
- 6) Remove two screws which secure the motor shaded pole.
- 7) Remove the motor shaded pole.
- 8) Reverse the above steps for reassembly.



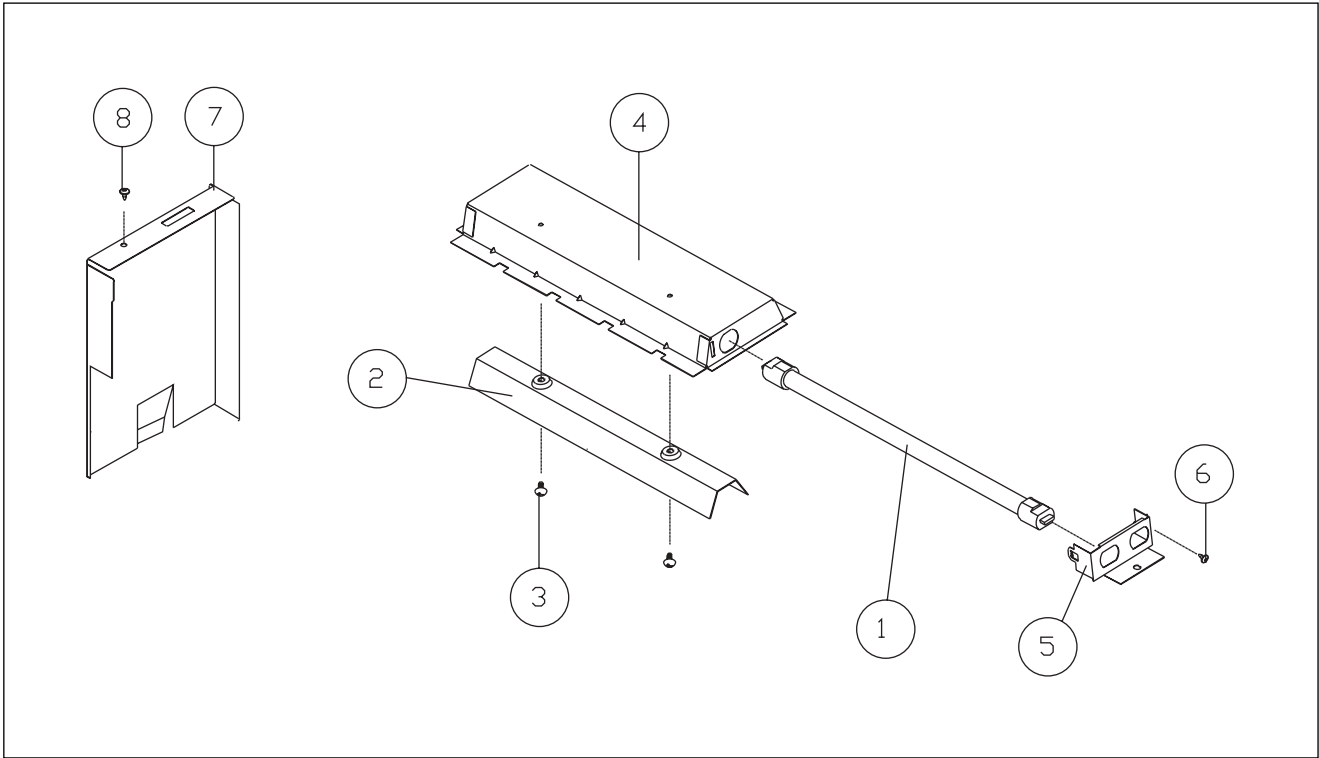
9. To remove H.V.transformer.

- 1) Remove four screws holding the H.V.transformer.
- 2) Remove the H.V.transformer.
- 3) Reverse the above steps for reassembly.



✓ **Caution** : In this Manual, some parts can be changed for improving, their performance without notice in the parts list. So, if you need the latest parts information, please refer to PPL(Parts Price List) in Service Information Center (<http://svc.dwe.co.kr>).

10.To remove Top heater assembly parts.

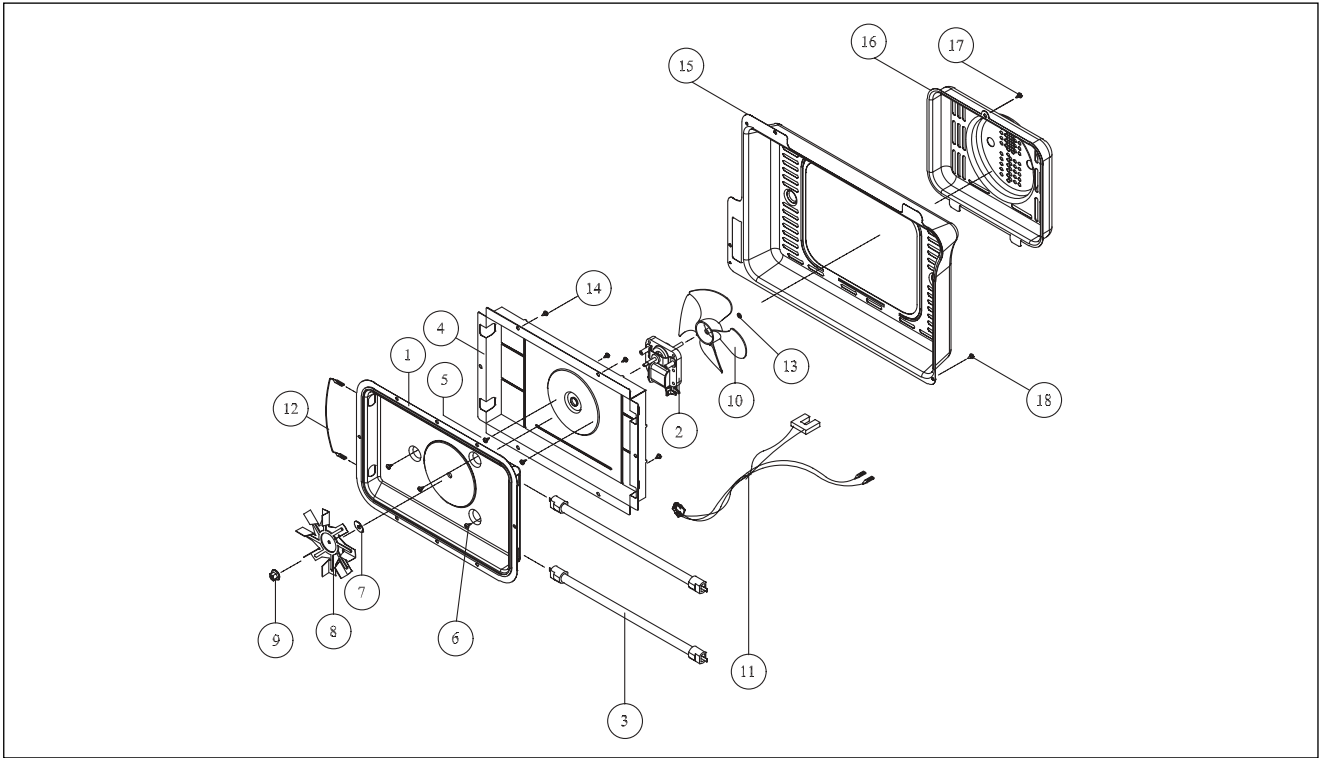


REF NO.	PART CODE	PART NAME	DESCRIPTION	Q'TY	REMARK
1	3512805800	HEATER MIRACLON	230V 800W 270MM	1	
2	3512806900	HEATER REFLECTOR	STS430 T0.5	1	
3	7121400611	SCREW TAPPING	T2S PAN 4X6 MFZN	2	
4	3511412400	COVER HEATER *T	SA1D-80 T0.5	1	
5	3510610500	BRACKET COVER HEATER	SECC T0.5	1	
6	7112401011	SCREW TAPPING	T1 TRS 4*10 MFZN	1	
7	3512523600	GUIDE AIR OUTLET	SBHG T0.5	1	
8	7112401011	SCREW TAPPING	T1 TRS 4*10 MFZN	1	

- 1)Remove a screw 8 and pull out Guide air outlet 7.
- 2)Remove screws 6 and pull out braket cover heater 5.
- 3)Pull out heater miraclon 1.
- 4)Remove two screws 3.
- 5)Pull out the heater reflector 2 from cover heater *T 4.
- 6)Reverse the above steps for reassembly.

✓ **Caution** : In this Manual, some parts can be changed for improving, their performance without notice in the parts list. So, if you need the latest parts information, please refer to PPL(Parts Price List) in Service Information Center (<http://svc.dwe.co.kr>).

11.To remove Rear heater assembly parts.

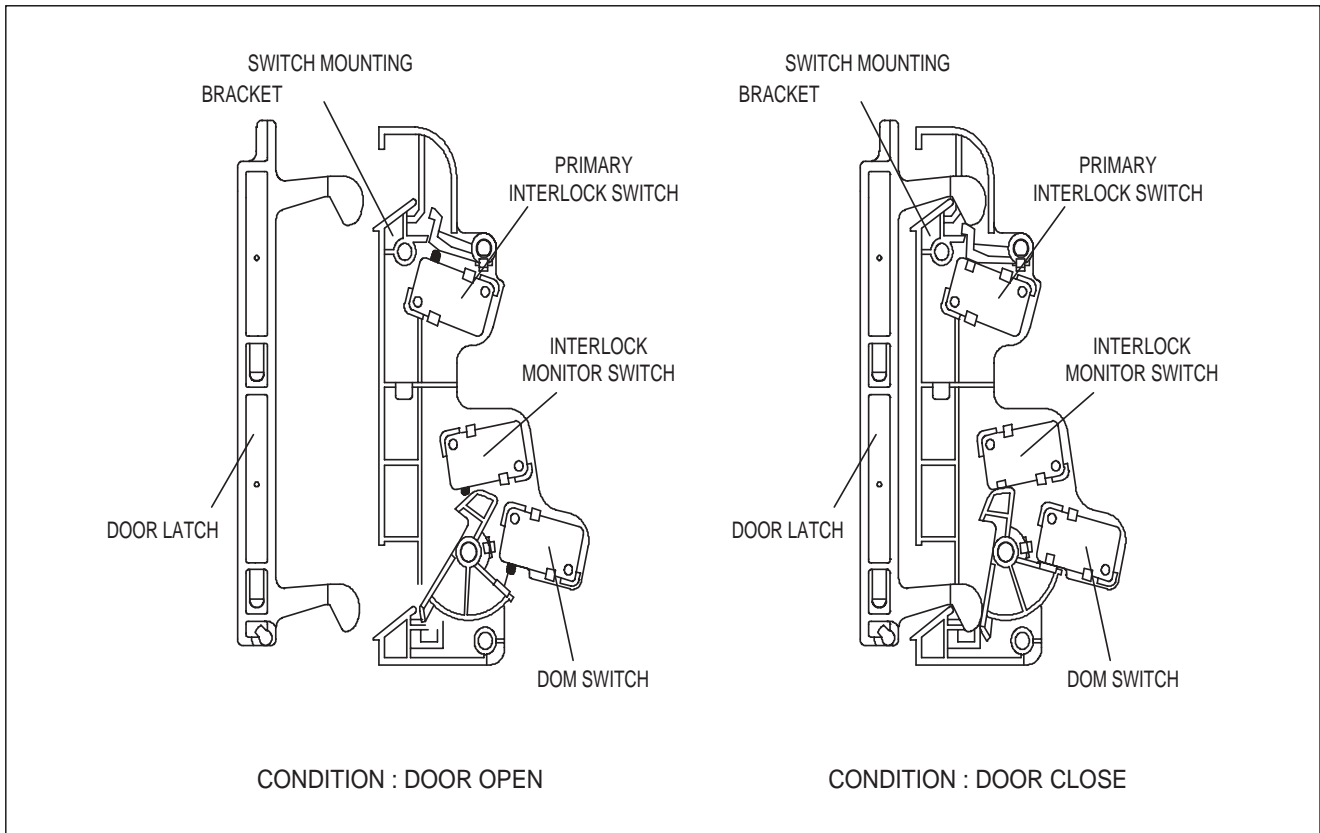


REF NO.	PART CODE	PART NAME	DESCRIPTION	Q'TY	REMARK
1	3511412500	COVER HEATER *B	SA1D-80 T0.5	1	
2	3963514330	MOTOR SHADED POLE	230V 50HZ MW10CA-T03	1	
3	3512807310	HEATER QUARTZ	115V 500W 240MM A	2	
4	3513303900	INSULATOR HEATER *B	SBHG-1 T0.6	1	
5	7601400811	SCREW MACHINE	PAN 4X8 PW MFZN	2	
6	7113400814	SCREW TAPPING	T1 BIN 4X8 MFNI	3	
7	7400104011	WASHER PLAIN	PW-1-4 MFZN	1	
8	3511800700	FAN CONVECTION	SA1D-80 T0.5	1	
9	7S627W40X1	SPECIAL SCREW	NUT FLANGE M4 MFZN	1	
10	3511800900	FAN	PBT	1	
11	3512782600	HARNESS CONVECTION *A	KOC-8H5T7S	1	
12	3512782610	HARNESS CONVECTION *B	KOC-8H5T7S	1	
13	7402704600	RING C	CR-5 SK5	1	
14	7122400611	SCREW TAPPING	T2S TRS 4X6 MFZN	4	
15	3511412600	COVER *B	SBHG-3 T0.4	1	
16	3511410500	COVER MOTOR *B	SA1D-80 T0.5	1	
17	7272400811	SCREW TAPTITE	TT3 TRS 4X8 MFZN	1	
18	7112401011	SCREW TAPPING	T1 TRS 4*10 MFZN	1	

- 1)Remove a screw 17 and pull out Cover motor *B 16.
- 2)Remove a screw 18 and pull out Cover *B 15 .
- 3)Pull out the Harness convection-A 11 and Harness convection-B 12 .
- 4)Remove four screws 14 and then pull out the Rear heater assembly.
- 5)Remove a Nut 9 and the pull out the Fan convection 8 .
- 6)Remove three screws 6 and then separate the Cover heater *B 1 and the Insulator heater *B 4 .
- 7)Pull out the Heater 3 from the Cover Heater *B 1 .
- 8)Remove two screw 5 and then separate the Insulator heater *B 1 and Motor shaded pole 2 .
- 9)Remove the C-Ring 13 and then pull out the Fan 10 from Motor shaft.
- 10)Reverse the above steps for reassembly.

7. INTERLOCK MECHANISM AND ADJUSTMENT

The door lock mechanism is a device which has been specially designed to completely eliminate microwave radiation when the door is opened during operation, and thus to perfectly prevent the danger resulting from the leakage of microwave.



(1) Primary interlock switch

When the door is closed, the hook locks the oven door. If the door is not closed properly, the oven will not operate. When the door is closed, the hook pushes the button of the microswitch. Then the button of the primary interlock switch bring it under ON condition. (No position)

(2) Secondary interlock switch and interlock monitor switch

When the door is closed, the hook pushes the lock lever downward. The lock lever presses the button of the interlock monitor switch to bring it under OFF condition (No position) and presses the button of the secondary interlock switch to bring it under ON condition. (No position)

ADJUSTMENT :

Interlock monitor switch

When the door is closed, the interlock monitor switch should be opened (No position) before other switches are closed. When the door is opened, the interlock monitor switch should be closed (No position) after other switches are opened.

(3) Adjustment steps

- Loosen the one mounting screw.
- Adjust interlock switch assembly position.
- Make sure that lock lever moves smoothly after adjustment is completed.
- Tighten completely two mounting screws.

NOTE :

Microwave emission test should be performed after adjusting interlock mechanism. If the microwave emission exceed $4\text{mW}/\text{cm}^2$, readjust interlock mechanism.

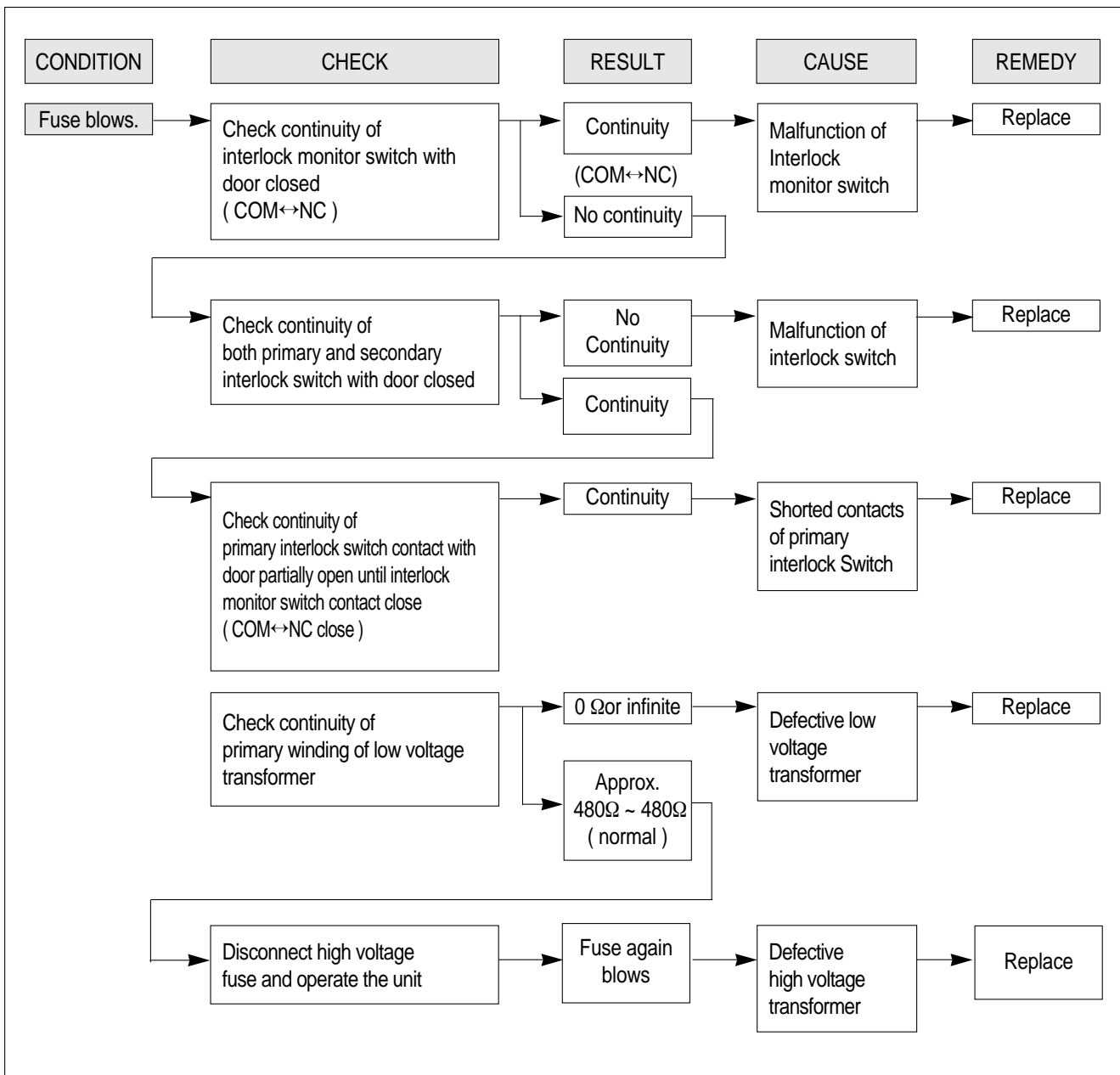
8. TROUBLE SHOOTING GUIDE

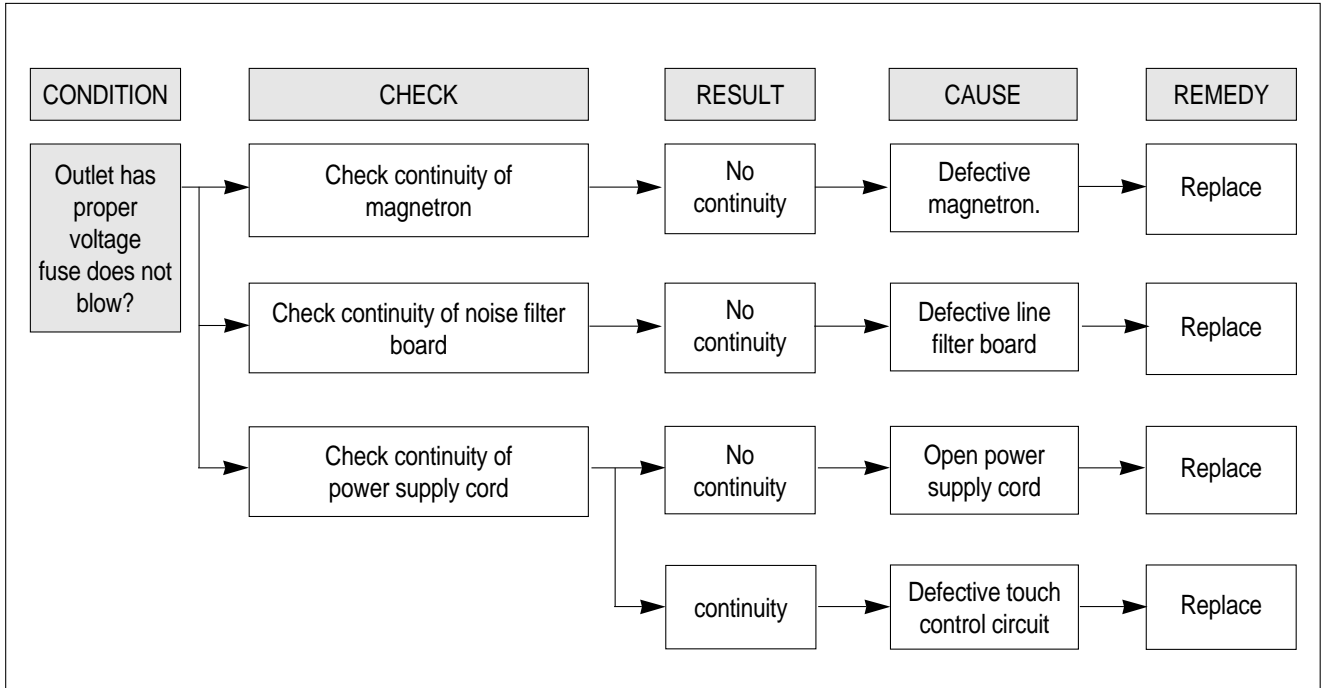
Following the procedure below to check if the oven is defective or not.

- 1) Check grounding before trouble checking.
- 2) Be careful of the high voltage circuit.
- 3) Discharge the high voltage capacitor.
- 4) When checking the continuity of the switches, fuse or high voltage transformer, disconnect one load wire from these parts and check continuity with the AC plug removed. To do otherwise may result in a false reading or damage to your meter.

NOTE : When electric parts are checked, be sure the power cord is not inserted the wall outlet.
Check wire harness, wiring and connection of the terminals and power cord before check the parts listed below.

(TROUBLE 1) Oven does not operate at all : any inputs can not be accepted.

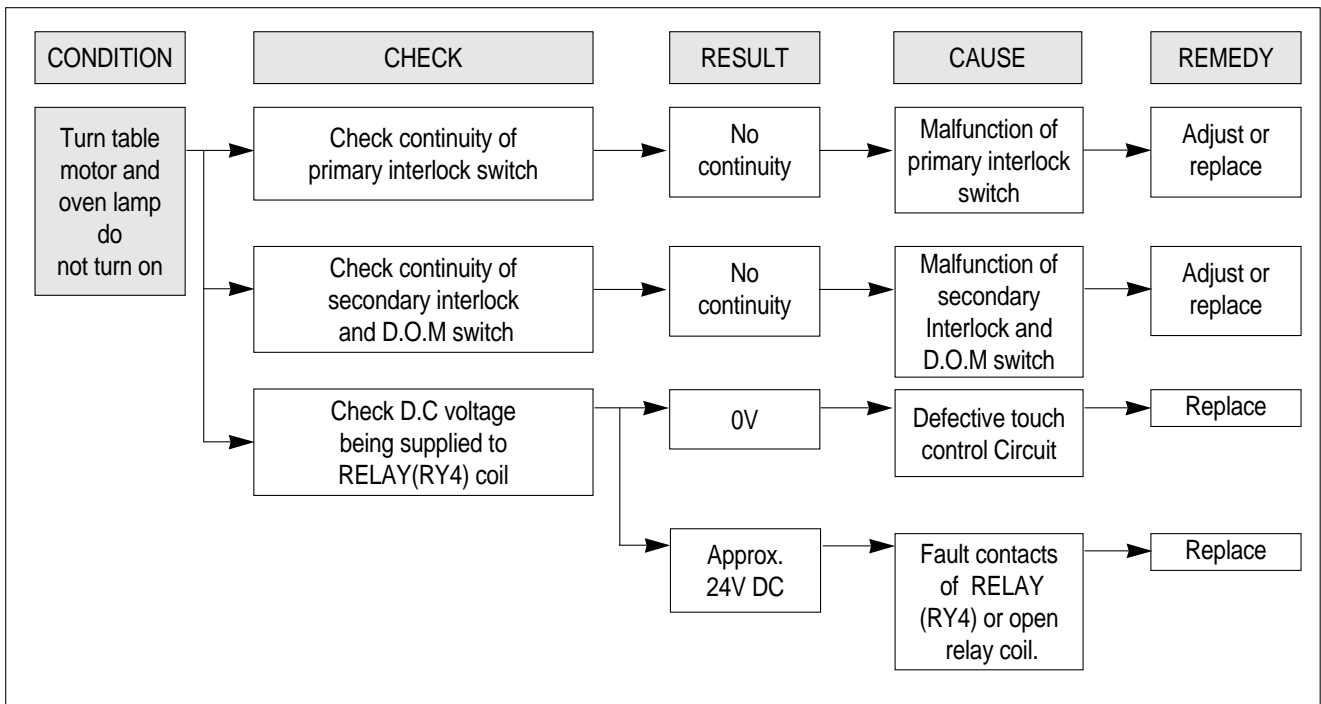




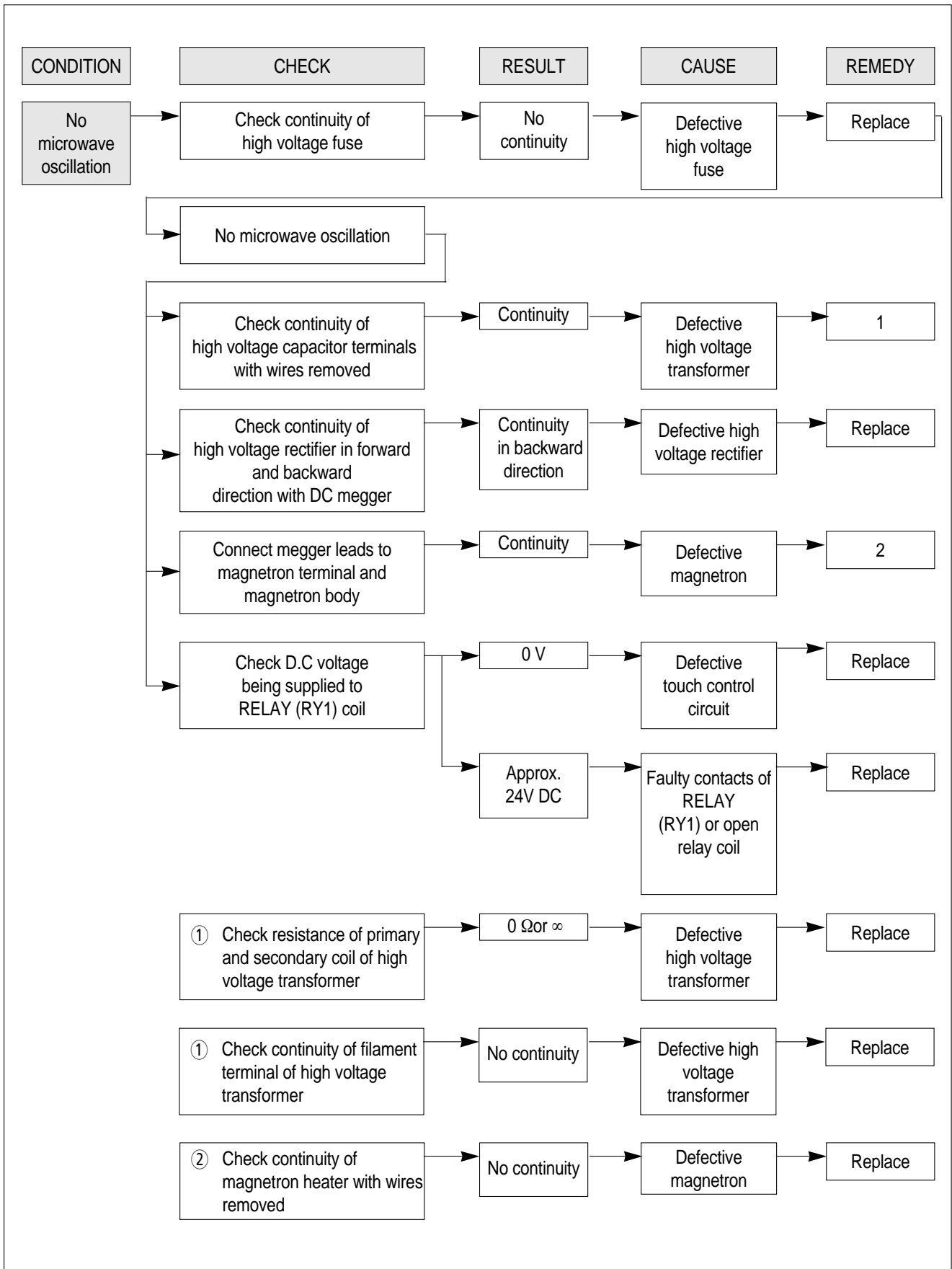
NOTE : All these switches must be replaced at the same time, please refer to (7.Interlock mechanism and adjust) for adjustment instructions

(TROUBLE 2)

Display shows all figures selected, but oven does not start cooking, even though desired program and time are set and start button is tapped.

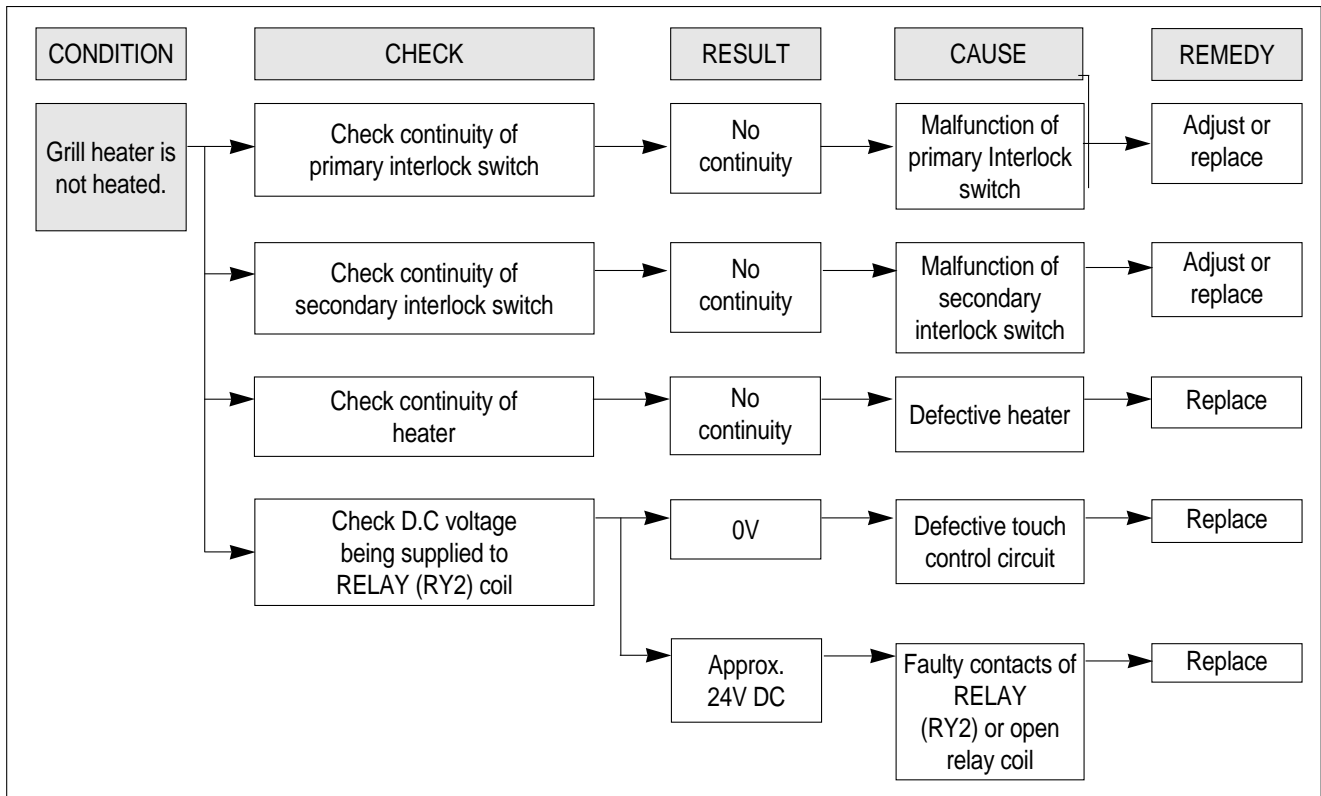


TROUBLE 3) No microwave oscillation even though fan motor rotates.



(TROUBLE 4)

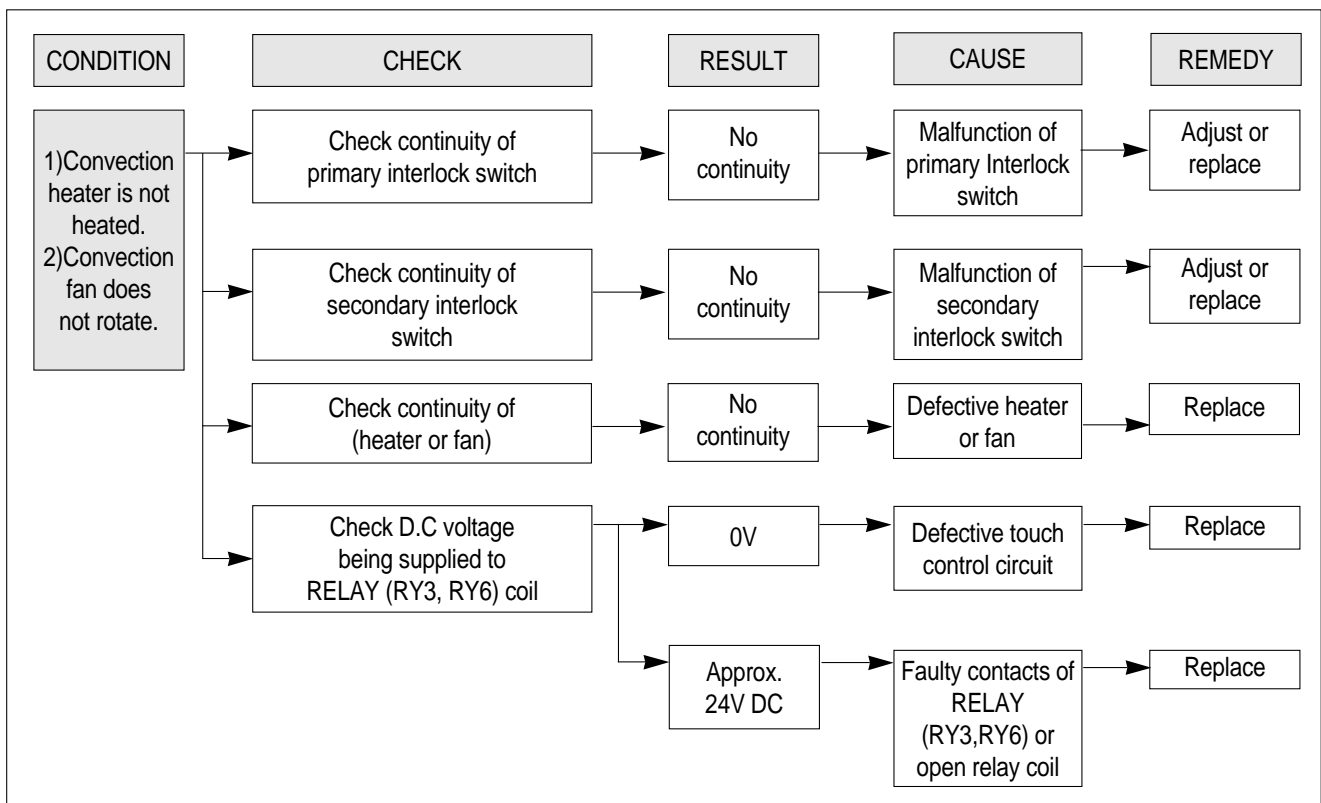
Grill heater (upper heater) is not heated; food will not become hot.



(TROUBLE 5)

1) Convection heater is not heated; food will not become hot.

2) Convection fan motor does not rotate.



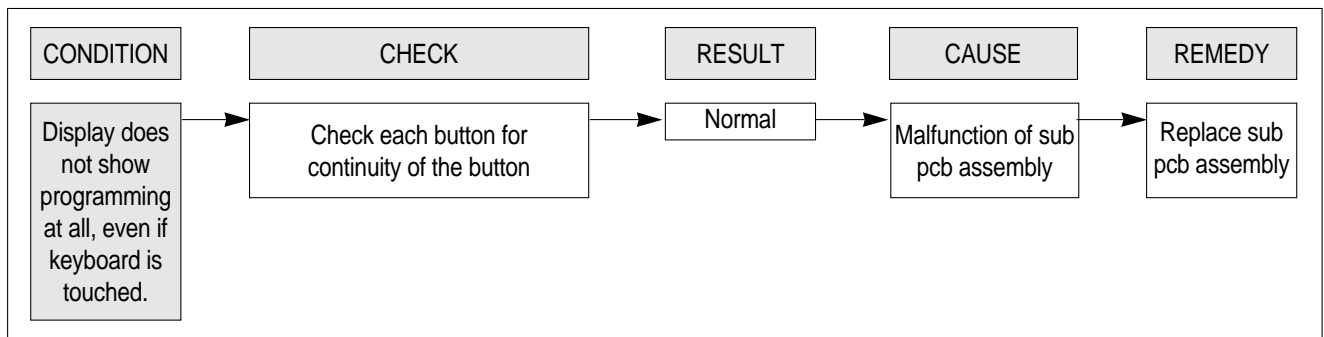
(TROUBLE 6)

The following visual conditions indicate a probable defective touch control Circuit or button P.C.B. assembly

1. Incomplete segments.
 - 1) segment missing
 - 2) partial segments missing
 - 3) digit flickering other than normal fluorescent slight flickering
2. A distinct change in the brightness of one or more numbers exists in the display
3. One or more digits in the display are not on when they should be.
4. Display does not count down or up with time cooking or clock operation.
5. Oven is programmable and cooks normally but no display shows.
6. Display obviously jumps in time while counting down.
7. Display counts down noticeably too fast while cooking.
8. Display does not show the time of day when clear button is touched.
9. Oven lamp and turn table motor do not stop although cooking is finished.

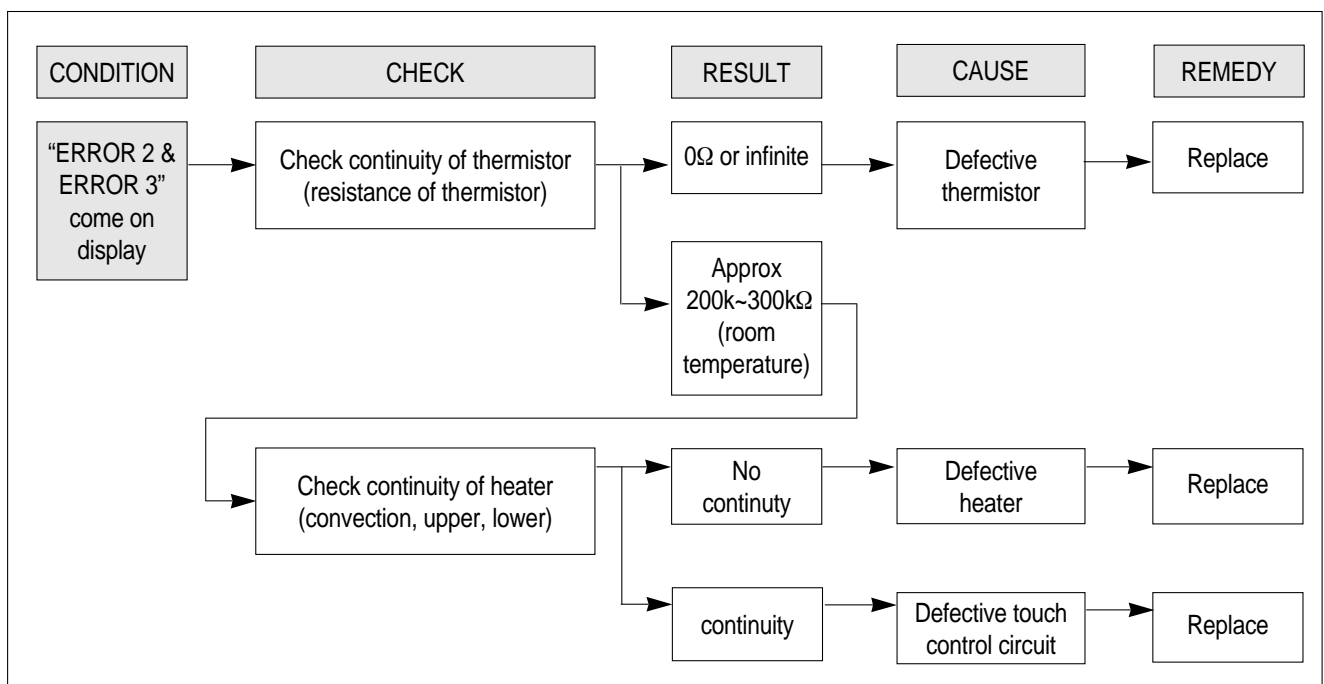


Check if the RELAY(RY4)contacts close and if they are close,replace touch control circuit.



(TROUBLE 7)

When "ERROR 2 ERROR 3" come on display.



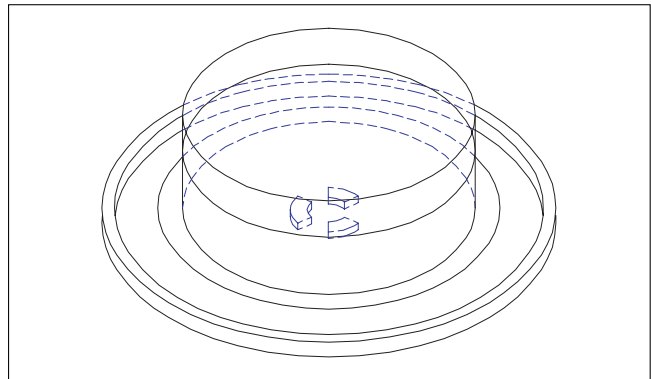
9. MEASUREMENT AND TEST

1. MEASUREMENT OF THE MICROWAVE POWER OUTPUT

Microwave output power can be checked by indirectly measuring the temperature rise of a certain amount of water exposed to the microwave as directed below.

PROCEDURE

1. A cylindrical container of borosilicate glass is used for the test. It has a maximum thickness of 3mm, an external diameter of approximately 190mm and a height of approximately 90mm. The mass of the container is determined.
2. At the start of the test, the oven and the empty container are at ambient temperature. Water having an initial temperature of $10^{\circ}\text{C} \pm 1^{\circ}\text{C}$ is used for the test. The water temperature is measured immediately before it is poured into the container.
3. A quantity of 1000g 5g of water is added to the container and its actual mass obtained. The container is then immediately placed in the centre of the oven shelf, which is in its lowest normal position. The oven is operated and the time for the water temperature to attain $20^{\circ}\text{C} \pm 2^{\circ}\text{C}$ is measured. The oven is then switched off and the final water temperature is measured within 60s.



NOTE 1 - The water stirred is before its temperature is measured.

NOTE 2 - Stirring and measuring devices are to have a low heat capacity.

4. The microwave power output is calculated from the formula

$$P = 4,187 \cdot m_w (T_2 - T_1) + 0.55 \cdot m_c (T_2 - T_0) / t$$

where

- P is the microwave power output, in watts ;
- m_w is the mass of the water, in grams ;
- m_c is the mass of the container, in grams ;
- T_0 is ambient temperature, in degrees Celsius ;
- T_1 is the initial temperature of the water, in degree Celsius ;
- T_2 is the final temperature of the water, in degrees Celsius ;
- t is the heating time, in seconds, excluding the magnetron filament heating-up time.

* The microwave power output is stated in watts, rounded off to the nearest 50W

CAUTION

1. Water load should be measured exactly to 1 liter.
2. Input power voltage should be exactly specified voltage (Refer to SPECIFICATIONS).
3. Ambient temperature should be $20 \pm 2^{\circ}\text{C}$ ($68 \pm 3.6^{\circ}\text{F}$)

* Heating time for power output: ($T_2 = T_0$)

A (second)	70	64	60	56	52	49	47	44	42	40	38
B (W)	600	650	700	750	800	850	900	950	1000	1050	1100

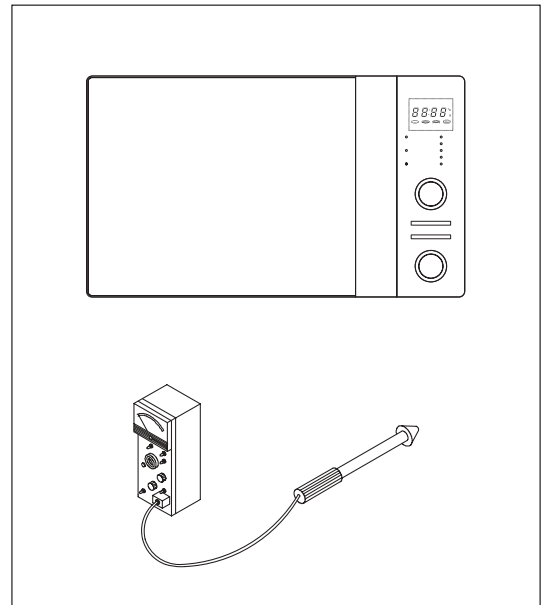
2. MICROWAVE RADIATION TEST

WARNING

1. Make sure to check the microwave leakage before and after repair of adjustment.
2. Always start measuring of an unknown field to assure safety for operating personnel from microwave energy.
3. Do not place your hands into any suspected microwave radiation field unless the safe density level is known.
4. Care should be taken not to place the eyes in direct line with the source of microwave energy.
5. Slowly approach the unit under test until the radiometer reads an appreciable microwave leakage from the unit under the test.

PROCEDURE

1. Prepare Microwave Energy Survey Meter, 600cc glass beaker, and glass thermometer 100°C (212°F).
2. Pour 275cc \pm 15cc of tap water initially at 20 \pm 5°C (68 \pm 9°F) in the 600 cc glass beaker with an inside diameter of approx. 95 mm(3.5 in.).
3. Place it at the center of the tray and set it in a cavity.
4. Close the door and operate the oven.
5. Measure the leakage by using Microwave Energy Survey Meter with dual ranges, set to 2450MHz.
 - 1) Measured radiation leakage must not exceed the value prescribed below. Leakage for a fully assembled oven with door normally closed must be less than 4mW/Cm².
 - 2) When measuring the leakage, always use the 5 cm (2 in.) space cone with probe. Hold the probe perpendicular to the cabinet and door. Place the space cone of the probe on the door, cabinet, door seem, door viewing screen, the exhaust air vents and the suction air vents.
 - 3) Measuring should be in a counter-clockwise direction at a rate of 1 in./sec. If the leakage of the cabinet door seem is unknown, move the probe more slowly.
 - 4) When measuring near a corner of the door, keep the probe perpendicular to the areas making sure the probe end at the base of the cone does not get closer than 2 in. from any metal. If it does not, erroneous reading may result.



3. COMPONENT TEST PROCEDURE

- High voltage is present at the high voltage terminal of the high voltage transformer during any cooking cycle.
- It is neither necessary nor advisable to attempt measurement of the high voltage.
- Before touching any oven components or wiring, always unplug the oven from its power source and discharge the capacitor.

1. High voltage transformer

- 1) Remove connections from the transformer terminals and check continuity.
- 2) Normal readings should be as follows :
 - Secondary winding ... Approx. $146 \Omega \pm 10\%$
 - Filament winding ... Approx. 0Ω
 - Primary winding ... Approx. 2Ω

2. High voltage capacitor

- 1) Check continuity of capacitor with meter on the highest OHM scale.
- 2) A normal capacitor will show continuity for a short time, and then indicate $10M\Omega$ once the capacitor charged.
- 3) A shorted capacitor will show continuous continuity.
- 4) An open capacitor will show constant $10M\Omega$.
- 5) Resistance between each terminal and chassis should be infinite.

3. High voltage diode

- 1) Isolate the diode from the circuit by disconnecting the leads.
- 2) With the ohmmeter set on the highest resistance scale measure the resistance across the diode terminals. Reverse the meter leads and again observe the resistance reading. Meter with 6V, 9V or higher voltage batteries should be used to check the front-back resistance of the diode, otherwise an infinite resistance may be read in both directions. A normal diode's resistance will be infinite in one direction and several hundred k Ω in the other direction.

4. Magnetron

For complete magnetron diagnosis, refer to "Measurement of the Microwave Power Output." Continuity checks can only indicate an open filament or a shorted magnetron. To diagnose for an open filament or a shorted magnetron,

- 1) Isolate magnetron from the circuit by disconnecting the leads.
- 2) A continuity check across magnetron filament terminals should indicate 0.1Ω or less.
- 3) A continuity check between each filament terminal and magnetron case should read open.

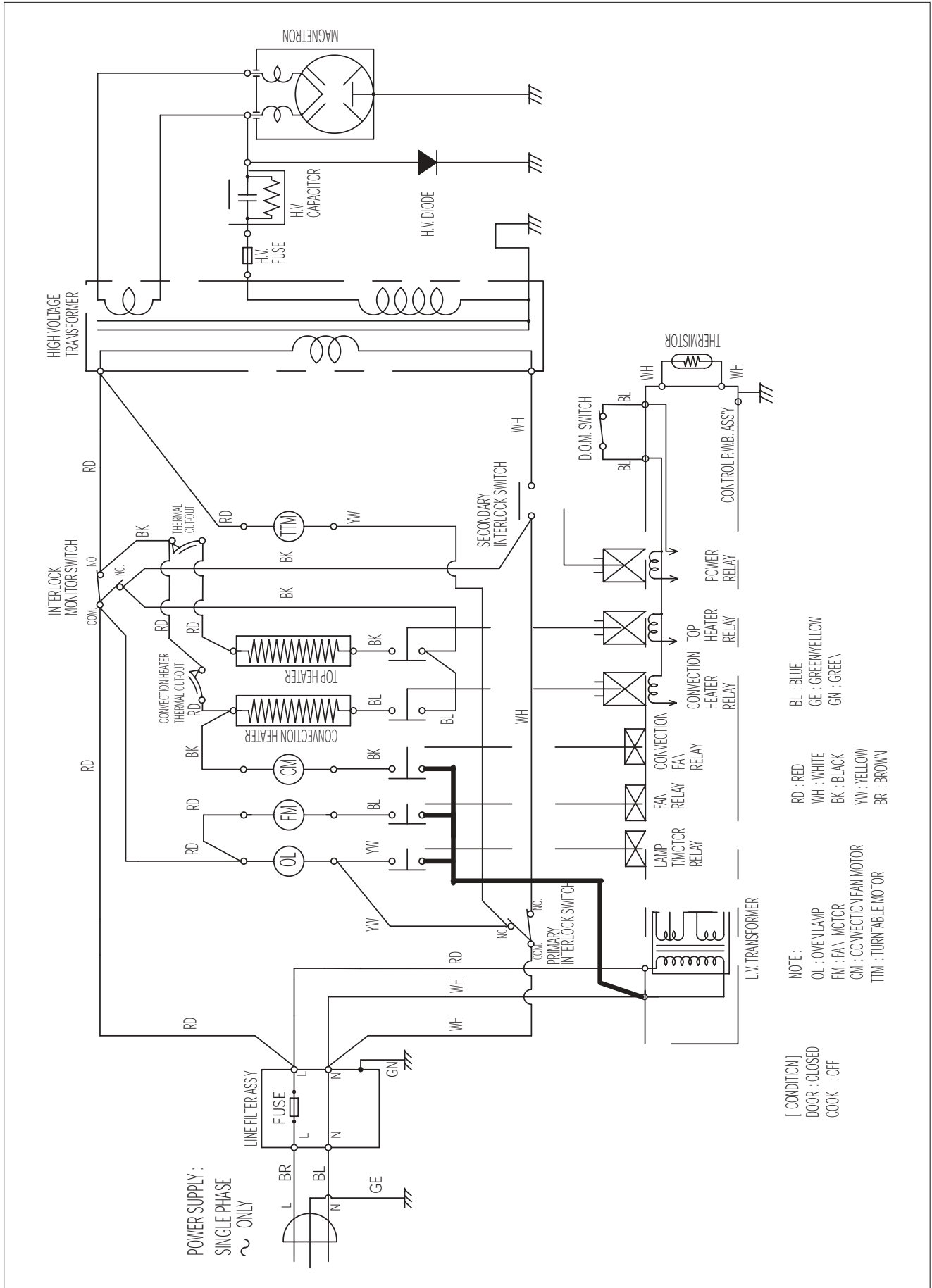
5. Fuse

If the fuse in the primary and monitor switch circuit is blown when the door is opened, check the primary and monitor switch before replacing the blown fuse. In case the fuse is blown by an improper switch operation, replace the defective switch and fuse at the same time. Replace just the fuse if the switches operate normally.

4. COMPONENT ACTION

COOKING MODE		MAGNE-TRON	UPPER ELEMENT	REAR ELEMENT	CONVECTION FAN
MANUAL MODE	M/W	●			
	GRILL		●		
	COMBI	●	●	●	●
	CONVECTION		●	●	●
AUTO MODE	ROAST PORK	●	●	●	●
	ROAST BEEF	●	●	●	●
	ROAST CHICKEN	●	●	●	●
	BAKED FISH	●	●	●	●
	FRESH VEGETABLES	●			

10. WIRING DIAGRAM



11. EXPLODED VIEW AND PARTS LIST

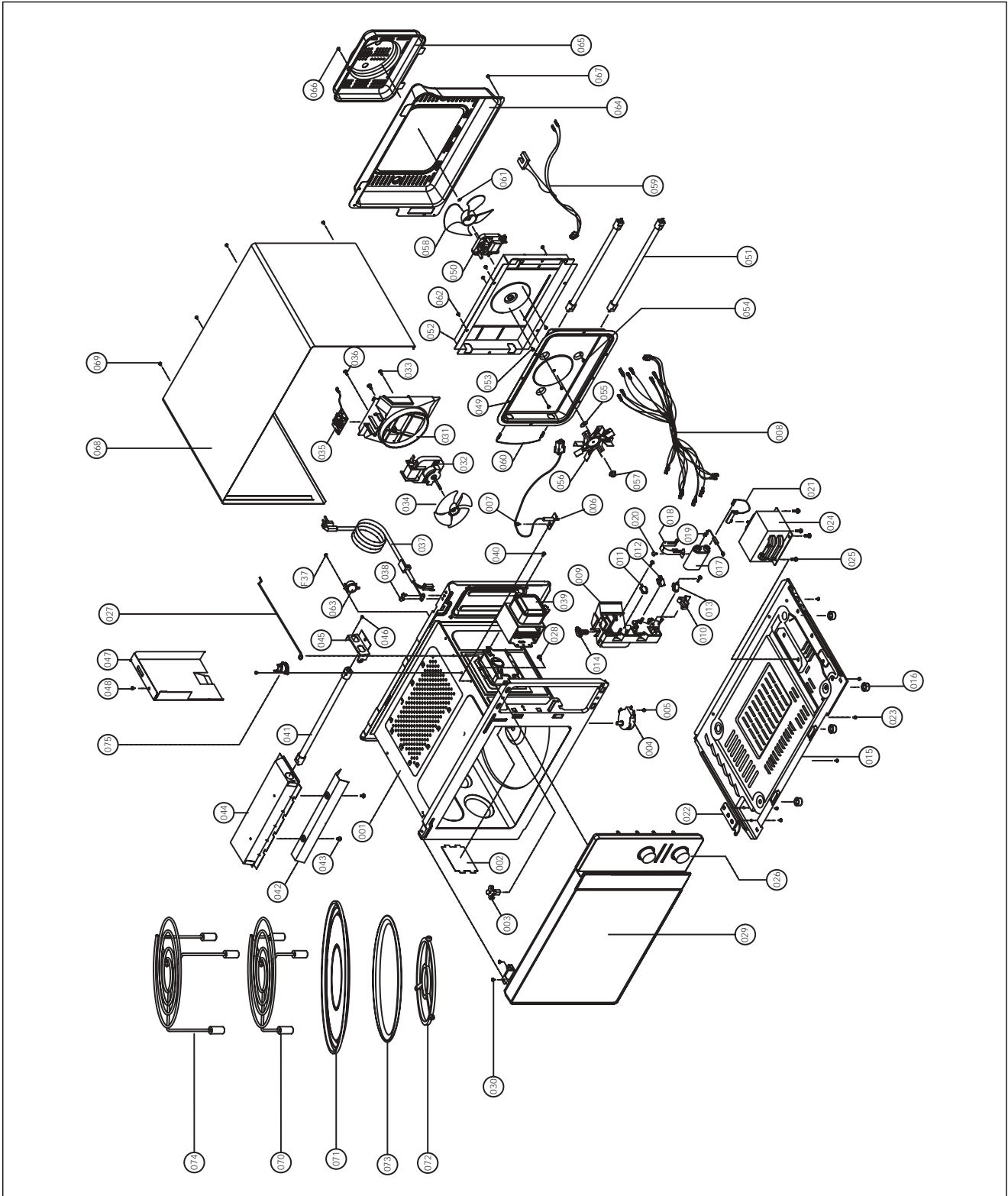
1. DOOR ASSEMBLY

Refer to 6. Disassembly and assembly.

2. CONTROL PANEL ASSEMBLY

Refer to 6. Disassembly and assembly.

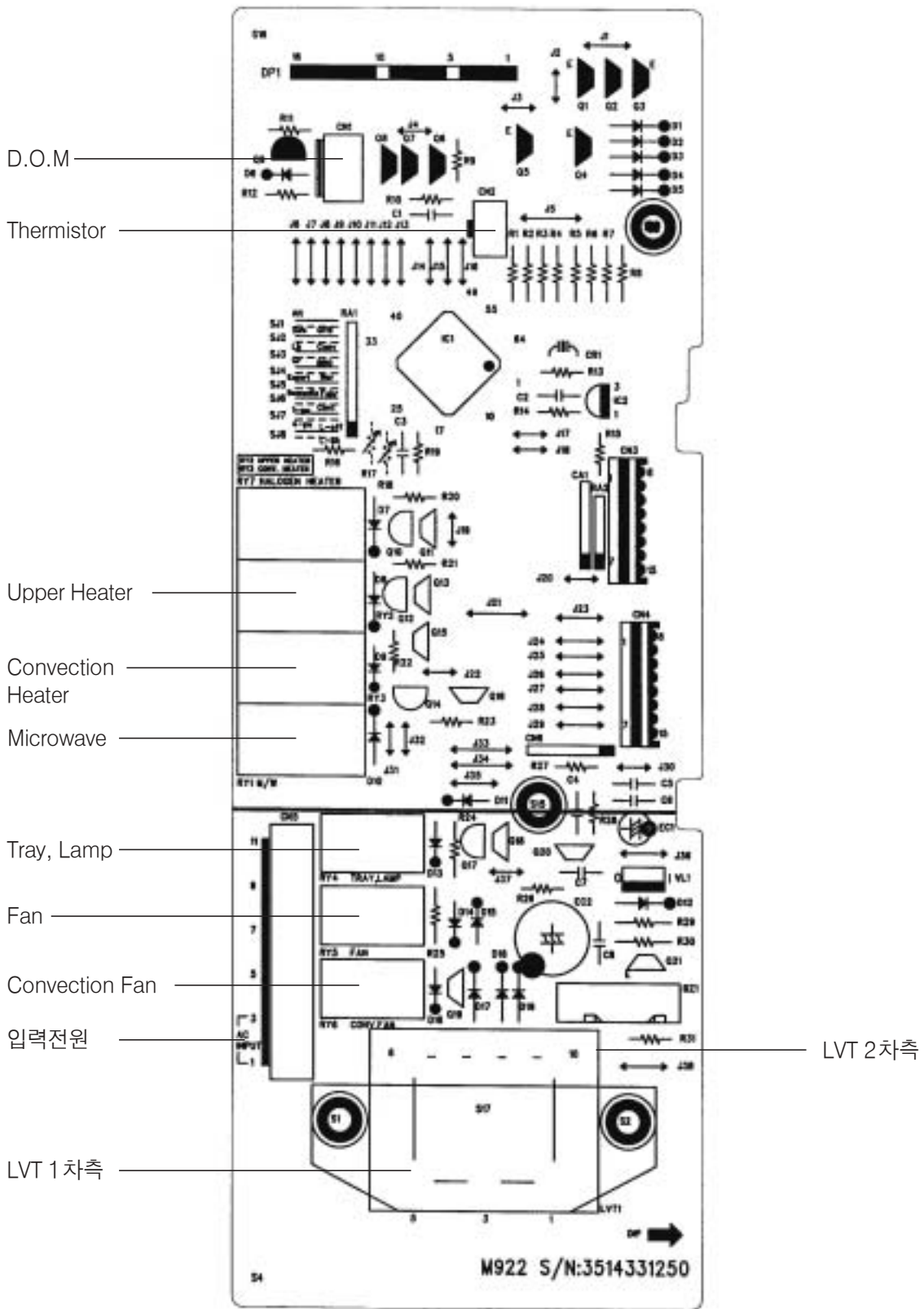
3. TOTAL ASSEMBLY



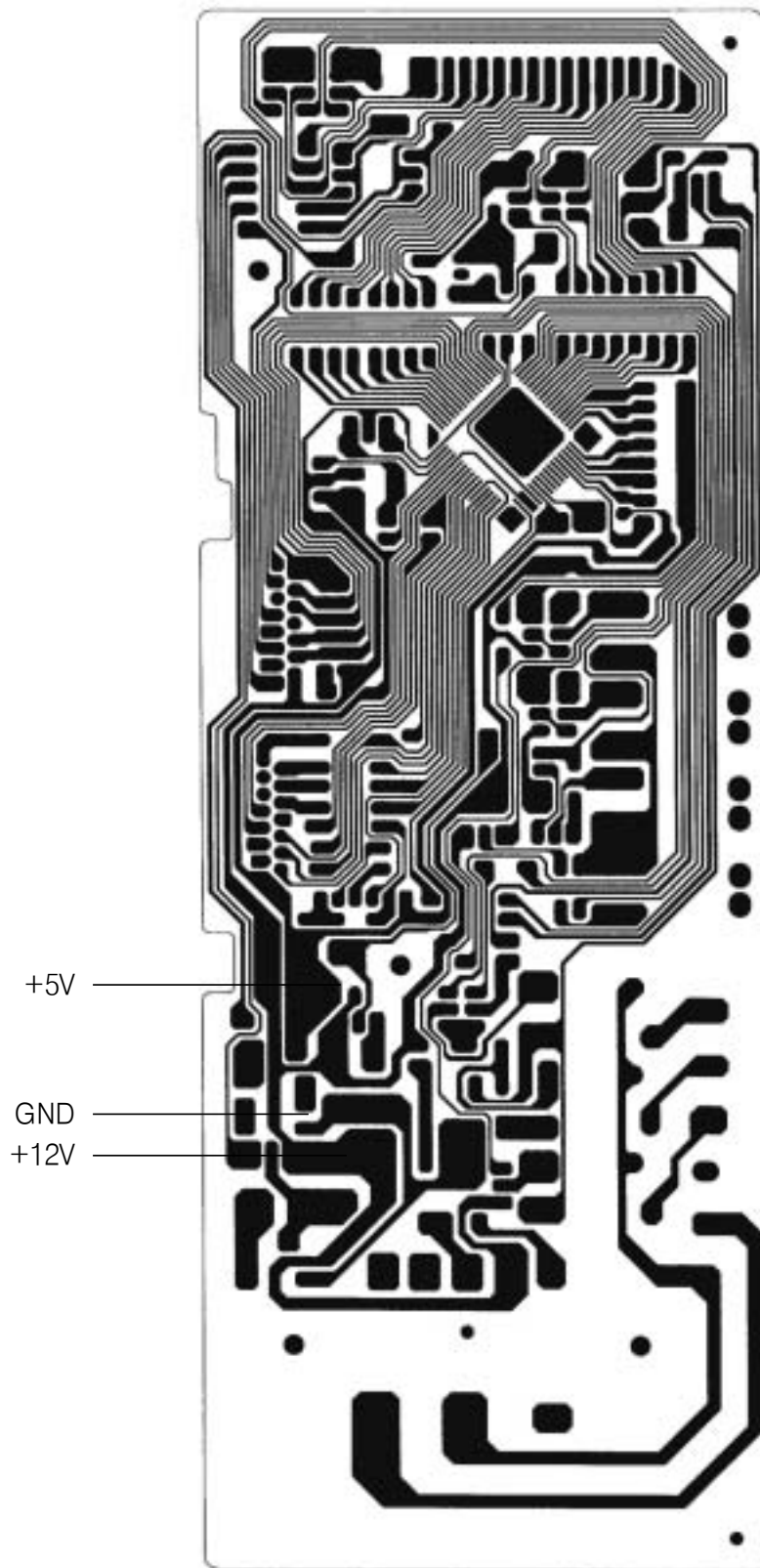
NO	PART CORD	PART NAME	DESCRIPTION	Q'TY
1	3516118500	CAVITY AS	KOC-8H5T7S	1
2	3511403800	COVER WAVE GUIDE	MICA T0.35	1
3	3517400610	COUPLER	TEFLON	1
4	3966031700	MOTOR SYNCRO	220/240V 50/60HZ SM16 HK36M6F6	1
5	7121400611	SCREW TAPPING	T2S PAN 4X6 MFZN	1
6	3514801400	SENSOR TEMPERATURE	MWS-DWM-0010-0	1
7	7S432X4081	SCREW SPECIAL	TT3 TRS 4X8 SE MFZN	1
8	3512782660	HARNESS MAIN	KOC-8H6T7S G/TCO	1
9	3513811750	LOCK	CHEIL(FH-44N)	1
10	3513702620	LEVER LOCK	POM	1
11	4415A66910	SW MICRO	VP-531A-OF/SZM-V16-FA-61	1
12	4415A66910	SW MICRO	VP-531A-OF/SZM-V16-FA-61	1
13	4415A17352	SW MICRO	VP-533A-OF SPNO #187 200G	1
14	3513601600	LAMP	BL 240V 25W T25 C7A H187	1
15	3510311000	BASE	SBHG-1 T0.7	1
16	3512101400	FOOT	DASF-310	4
17	3518303401	CAPACITOR HV	2100VAC 1.05UF #187	1
18	3513001900	HOLDER HV CAPACITOR	SECC T0.5	1
19	3518401300	DIODE HV	CL01-12	1
20	7272400811	SCREW TAPTITE	TT3 TRS 4X8 MFZN	1
21	3518701400	FUSE HV	5KV 0.7A	1
22	3515202800	STOPPER HINGE *U AS	KOR-121M0A	1
23	7S312X40A1	SCREW SPECIAL	T1 TRS 4*10 SE MFZN	5
24	3518122830	TRANS HV	R1S59B ES00 AL-AL	1
25	3516003700	SPECIAL SCREW	TT3 HEX 4X8 FLG MFZN	4
26	PKCPSWGM10	CONTROL-PANEL AS	KOC-8H6T7S	1
27	3515305000	SUPPORTER WIRE	SWRH 2.0	1
28	7122401211	SCREW TAPPING	T2S TRS 4X12 MFZN	1
29	3511826480	DOOR AS	KOC-8H6TKS	1
30	3516003700	SPECIAL SCREW	TT3 HEX 4X8 FLG MFZN	2
31	3512524100	GUIDE WIND	PP GP-3152F FH44N NC	1
32	3963512320	MOTOR SHADED POLE	230V 20W MW10CA-M03	1
33	7121402511	SCREW TAPPING	T2S PAN 4X25 MFZN	2
34	3511800300	FAN	PP+30%GLASS	1
35	3518606100	NOISE-FILTER	DWLF-M13	1
36	7122401211	SCREW TAPPING	T2S TRS 4X12 MFZN	1
37	35113A5QJ5	CORD POWER AS	3X1.5 80X80 120-RTML 1.4M	1
38	7S312X40A1	SCREW SPECIAL	T1 TRS 4*10 SE MFZN	2

NO	PART CORD	PART NAME	DESCRIPTION	Q'TY
39	3518003700	MAGNETRON	2M218JFL 6CF	1
40	3516004000	SPECIAL SCREW	T2 BOLT FLANGE 5X12 DACRO	1
41	3512805800	HEATER MIRACLON	230V 800W 270MM	1
42	3512806900	HEATER REFLECTOR	STS430 T0.5	1
43	7122408114	SCREW TAPPING	T2S TRS 4X6 MFNI	2
44	3511412400	COVER HEATER *T	SA1D-80 T0.4	1
45	3510610500	BRACKET COVER HEATER	SECC T0.5	1
46	7S312X40A1	SCREW SPECIAL	T1 TRS 4*10 SE MFZN	1
47	3512523600	GUIDE AIR OUTLET	SBHG T0.5	1
48	7S312X40A1	SCREW SPECIAL	T1 TRS 4*10 SE MFZN	1
49	3511412500	COVER HEATER *B	SA1D-80 T0.5	1
50	3963514330	MOTOR SHADED POLE	230V 50HZ MW10CA-T03	1
51	3512807310	HEATER QUARTZ	115V 500W 240MM A	2
52	3513303900	INSULATOR HEATER *B	SBHG-1 T0.6	1
53	7601400811	SCREW MACHINE	PAN 4X8 PW MFZN	2
54	7113400814	SCREW TAPPING	T1 BIN 4X8 MFNI	3
55	7400104011	WASHER PLAIN	PW-1-4 MFZN	1
56	3511800700	FAN CONVECTION	SA1D-80 T0.5	1
57	7S627W40X1	NUT HEX	NUT FLANGE M4X0.7P MFZN	1
58	3511800900	FAN	PBT	1
59	3512782600	HARNESS CONVECTION *A	KOC-8H5T7S	1
60	3512782610	HARNESS CONVECTION *B	KOC-8H5T7S	1
61	7402704600	RING C	CR-5 SK5	1
62	7122400611	SCREW TAPPING	T2S TRS 4X6 MFZN	4
63	3518907400	THERMOSTAT	OFF:160 ON:0 V #187	1
64	3511412600	COVER *B	SBHG-3 T0.4	1
65	3511410500	COVER MOTOR *B	SA1D-80 T0.5	1
66	7272400811	SCREW TAPTITE	TT3 TRS 4X8 MFZN	1
67	7S312X40A1	SCREW SPECIAL	T1 TRS 4*10 SE MFZN	1
68	3510806400	CABINET AS	KOC-871C0S	1
69	7112401011	SCREW TAPPING	T1 TRS 4*10 MFZN	4
70	3517201951	TRAY RACK AS	KOR-17551S 30MM	1
71	3517210900	TRAY METAL AS	KOC-624S0J	1
72	3512517100	GUIDE ROLLER AS	KOG-62150S	1
73	3517203600	TRAY	BORO-SI GLASS(NEG)	1
74	3517202611	TRAY RACK AS	KOC-961C0S 117MM	1
75	3518907400	THERMOSTAT	OFF:160 ON:0 V #187	1

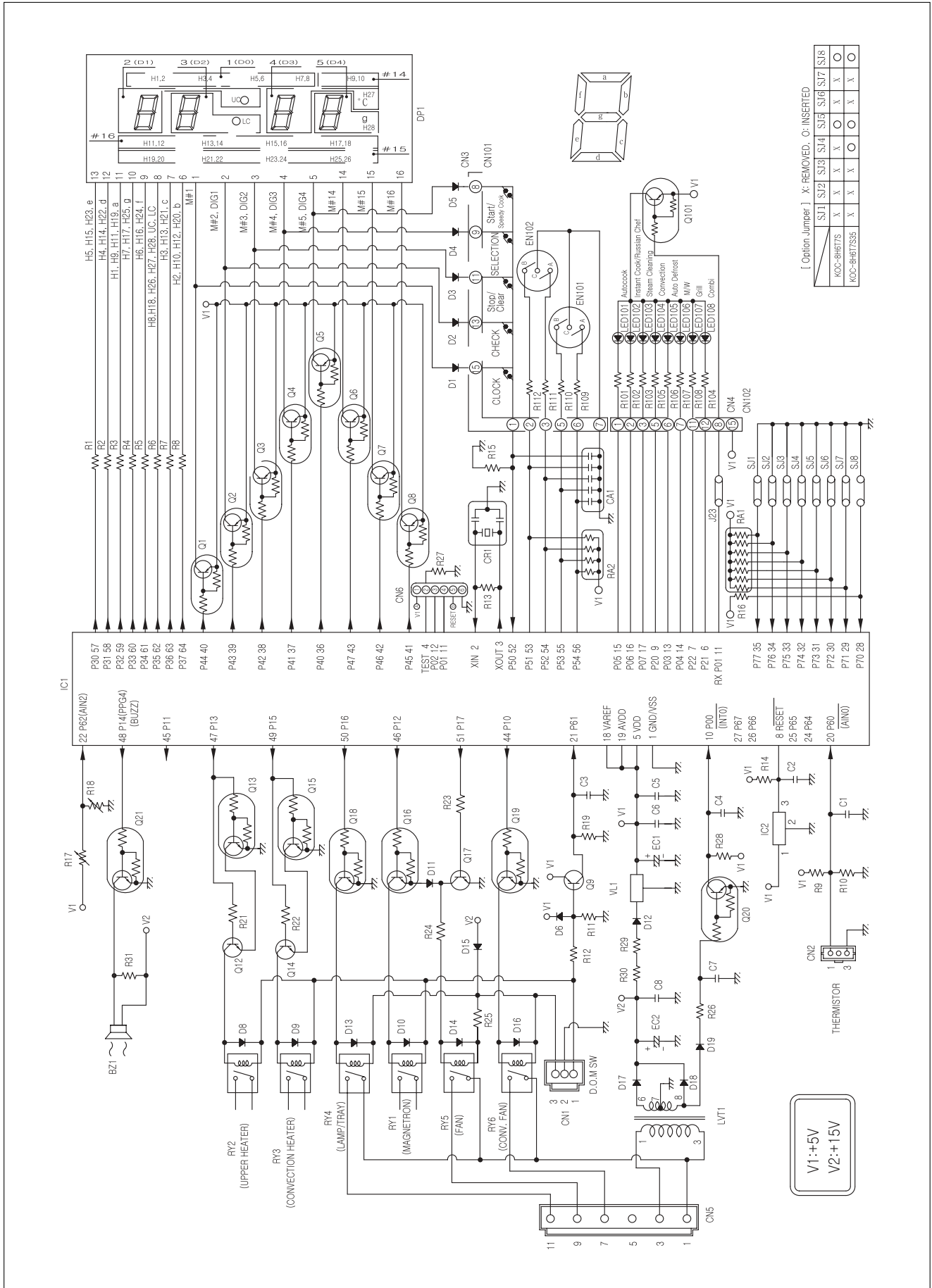
12. PRINTED CIRCUIT BOARD



13. P.C.B PATTERN DIAGRAM



14. P.C.B. CIRCUIT DIAGRAM





DAEWOO ELECTRONICS CORP.

1-2, Jeo-dong 1(ii)-ga, Jung-gu, Seoul, Korea
C.P.O. BOX 8003 SEOUL, KOREA
TELEX: DWELEC K28177-8
CABLE: "DAEWOOELEC"

PRINTED DATE: Nov. 2008

S/M NO. :

ABOUT THIS MANUAL

VISION CREATIVE, INC.

서울 중로구 통의동
6번지 이룸빌딩 4층

담 당	이태희 님	
MODEL	KOC-8H6T7S (S/M)	
접 수	2008.11.12 [총 36페이지]	
일 정	1차	
	2차	
	3차	
	4차	
	5차	
제 판	한	인 쇄
규 격		
MEMO 08.11.12-전체신규 36p 08.11.13-1p, 4p, 34p 수정_신규 3p		

연락처

VISION 담당 방문수

TEL: 730-0660 FAX: 730-3788