



user manual

Fridge

## Electrolux. Thinking of you.

Share more of our thinking at [www.electrolux.com](http://www.electrolux.com)

## Contents

Safety information	2	Care and cleaning	8
Control Panel	4	What to do if...	10
First use	5	Technical data	12
Daily Use	6	Installation	12
Helpful hints and tips	7	Environmental concerns	15



Subject to change without notice



## Safety information

In the interest of your safety and to ensure the correct use, before installing and first using the appliance, read this user manual carefully, including its hints and warnings. To avoid unnecessary mistakes and accidents, it is important to ensure that all people using the appliance are thoroughly familiar with its operation and safety features. Save these instructions and make sure that they remain with the appliance if it is moved or sold, so that everyone using it through its life will be properly informed on appliance use and safety.

For the safety of life and property keep the precautions of these user's instructions as the manufacturer is not responsible for damages caused by omission.

**Children and vulnerable people safety**

- This appliance is not intended for use by persons (including children) with reduced physical, sensory or mental capabilities, or lack of experience and knowledge, unless they have been given supervision or instruction concerning use of the appliance by a person responsible for their safety. Children should be supervised to ensure that they do not play with the appliance.
- Keep all packaging well away from children. There is risk of suffocation.
- If you are discarding the appliance pull the plug out of the socket, cut the connection cable (as close to the appliance as you can) and remove the door to prevent playing children to suffer electric shock or to close themselves into it.
- If this appliance featuring magnetic door seals is to replace an older appliance having a spring lock (latch) on the door or lid,


be sure to make that spring lock unusable before you discard the old appliance. This will prevent it from becoming a death trap for a child.

**General safety**

**Caution!** Keep ventilation openings clear of obstruction.

- The appliance is intended for keeping foodstuff and/or beverages in a normal household as explained in this instruction booklet.
- Do not use a mechanical device or any artificial means to speed up the thawing process.
- Do not use other electrical appliances (such as ice cream makers) inside of refrigerating appliances, unless they are approved for this purpose by the manufacturer.
- Do not damage the refrigerant circuit.
- The refrigerant isobutane (R600a) is contained within the refrigerant circuit of the appliance, a natural gas with a high level of environmental compatibility, which is nevertheless flammable. During transportation and installation of the appliance, be certain that none of the components of the refrigerant circuit become damaged. If the refrigerant circuit should become damaged:
  - avoid open flames and sources of ignition
  - thoroughly ventilate the room in which the appliance is situated

- It is dangerous to alter the specifications or modify this product in any way. Any damage to the cord may cause a short-circuit, fire and/or electric shock.

 **Warning!** Any electrical component (power cord, plug, compressor) must be replaced by a certified service agent or qualified service personnel.

1. Power cord must not be lengthened.
  2. Make sure that the power plug is not squashed or damaged by the back of the appliance. A squashed or damaged power plug may overheat and cause a fire.
  3. Make sure that you can come to the mains plug of the appliance.
  4. Do not pull the mains cable.
  5. If the power plug socket is loose, do not insert the power plug. There is a risk of electric shock or fire.
  6. You must not operate the appliance without the lamp cover<sup>1)</sup> of interior lighting.
- This appliance is heavy. Care should be taken when moving it.
  - Do not remove nor touch items from the freezer compartment if your hands are damp/wet, as this could cause skin abrasions or frost/freezer burns.
  - Avoid prolonged exposure of the appliance to direct sunlight.

### Daily use

- Do not put hot pot on the plastic parts in the appliance.
- Do not store flammable gas and liquid in the appliance, because they may explode.
- Appliance's manufacturers storage recommendations should be strictly adhered to. Refer to relevant instructions.

### Care and cleaning

- Before maintenance, switch off the appliance and disconnect the mains plug from the mains socket. If you cannot come to the mains socket, interrupt the power supply.
- Do not clean the appliance with metal objects.

1) If the lamp cover is foreseen

2) If a water connection is foreseen

- Regularly examine the drain in the refrigerator for defrosted water. If necessary, clean the drain. If the drain is blocked, water will collect in the bottom of the appliance.

### Installation


**Important!** For electrical connection carefully follow the instructions given in specific paragraphs.


- Unpack the appliance and check if there are damages on it. Do not connect the appliance if it is damaged. Report possible damages immediately to the place you bought it. In that case retain packing.
- It is advisable to wait at least four hours before connecting the appliance to allow the oil to flow back in the compressor.
- Adequate air circulation should be around the appliance, lacking this leads to overheating. To achieve sufficient ventilation follow the instructions relevant to installation.
- Wherever possible the back of the product should be against a wall to avoid touching or catching warm parts (compressor, condenser) to prevent possible burn.
- The appliance must not be located close to radiators or cookers.
- Make sure that the mains plug is accessible after the installation of the appliance.
- Connect to potable water supply only.<sup>2)</sup>

### Service

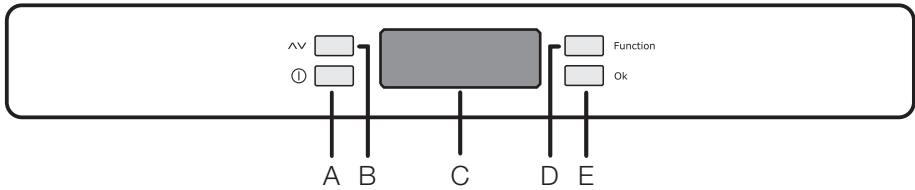
- Any electrical work required to do the servicing of the appliance should be carried out by a qualified electrician or competent person.
- This product must be serviced by an authorized Service Centre, and only genuine spare parts must be used.

**Environment Protection**

 This appliance does not contain gasses which could damage the ozone layer, in either its refrigerant circuit or insulation materials. The appliance shall not be discarded together with the urban refuse and rubbish. The insulation foam contains flammable gases: the appliance

shall be disposed according to the applicable regulations to obtain from your local authorities. Avoid damaging the cooling unit, especially at the rear near the heat exchanger. The materials used on this appliance marked by the symbol  are recyclable.

**Control Panel**



A - Appliance button ON/OFF

B - Temperature regulation button


C - Temperature and function indicator

D - Function button


E - Confirmation button

**Display**




 Temperature alarm and door open alarm (some models)

 Ambient temperature displayed

 Positive temperature sign

 Temperature

 Child Lock is activated

 Shopping mode is activated

 Eco Mode is activated

**Switching on**

Insert the plug into the power outlet. If the display is not illuminated, press button (A), to start the appliance.

For optimal food storage select the Eco Mode and the temperature is set to +5°C in the fridge.

To select a different temperature refer to "Temperature regulation".

**Important!** If the door remains open for some minutes, the light will turn off automatically. The light is reset by closing and opening the door itself.

**Switching off**

The appliance is shut off by pressing button (A) until a countdown from -3 -2 -1 is completed.

**Temperature regulation**

The temperature may be changed by pressing the button (B).

The current temperature setting flashes and by pressing button (B) again the set temperature is possible to change in steps of one degree.

After some seconds the storage temperature is shown again.

The selected-temperature will be reached within 24 hours.

**Important!** At start up the displayed temperature don't correspond with the set temperature until stabilized (within 24 hours).

### Functions Menu

By activating the key D the functions menu is operating. Each function could be confirmed by pressing button E. If there is no confirmation after some seconds the display will go out from the menu and return in normal condition. The following functions are indicated:

 Ambient Temperature

 Child Lock function

 Shopping function

 Eco Mode function

### Ambient Temperature Function

The ambient temperature function is activated by pressing key (D) (several times if necessary) until the corresponding icon appears



. In this condition the displayed temperature is the ambient temperature.

You must confirm the choice by pressing key (E) within few seconds. You will hear the buzzer and the icon remains lighted.

It is possible to de-activate the function at any time by pressing key (D) until the corresponding icon will flash and then key (E)

### Child Lock Function

The Child Lock function is activated by pressing key (D) (several times if necessary) until the corresponding icon appears



. You must confirm the choice by pressing key (E) within few seconds. You will hear the buzzer and the icon remains lighted. In this condition any possible operation through the keys does not cause any change as long as this function is activated.

It is possible to de-activate the function at any time by pressing key (D) until the corresponding icon will flash and then key (E).

### Shopping Function

If you need to insert a large amount of warm food, for example after doing the grocery shopping, we suggest activating the Shopping function to chill the products more rapidly and to avoid warming the other food which is already in the refrigerator.

The Shopping function is activated by pressing key (D) (several times if necessary) until the corresponding icon appears



. You must confirm the choice by pressing key (E) within few seconds. You will hear the buzzer and the icon remains lighted.

The Shopping function shuts off automatically after approximately 6 hours. It is possible to de-activate the function at any time by pressing key (D) until the corresponding icon will flash and then key (E).

### Eco Mode Function

The Eco Mode function is activated by pressing key D (several times if necessary) until the corresponding icon appears



(or setting the temperature at +5°C).


You must confirm the choice by pressing key E within few seconds. You will hear the buzzer and the icon remains lighted.

In this condition the chosen temperatures are automatically set (+ 5°C), in the best conditions for storing food.

It is possible to de-activate the function at any time by changing the selected temperature in the compartment.

### Door open alarm

An acoustic alarm will sound if the door is left open for a few minutes. The door open alarm conditions are indicated by:

- flashing icon 
- acoustic buzzer

Press button (E) to cancel the acoustic alarm. When normal conditions are restored (door closed), the acoustic alarm will stop.

## First use

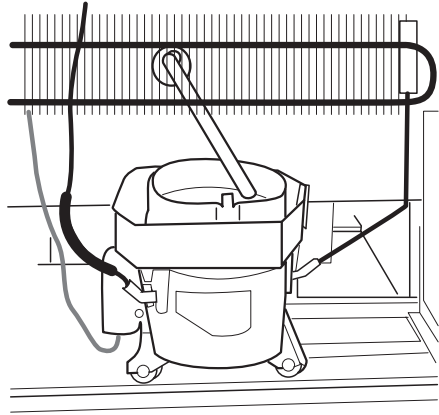
### Cleaning the interior

Before using the appliance for the first time, wash the interior and all internal accessories

with lukewarm water and some neutral soap so as to remove the typical smell of a brand-new product, then dry thoroughly.

**Important!** Do not use detergents or abrasive powders, as these will damage the finish.

Check that the drain hose at the rear of the cabinet discharges into the drip tray.



## Daily Use

### Use of the fridge compartment

The temperature of this compartment may be regulated between +2°C and +8°C. During normal functioning the indicator shows the temperature inside the fridge.

**i** A medium setting is generally the most suitable.

The exact setting should be chosen keeping in mind that the temperature inside the appliance depends on:

- room temperature
- how often the door is opened
- the quantity of food stored
- the location of the appliance.

**Important!** If the ambient temperature is high or the appliance is fully loaded, and the appliance is set to the lowest temperatures, it may run continuously causing frost to form on the rear wall. In this case the Temperature regulator must be set to a higher temperature to allow automatic defrosting and therefore reduced energy consumption.

### Holiday Function H

The Holiday function sets the temperature at approx +15°C. This function allows you to keep the refrigerator shut and empty during a long holiday period ( e. g. the summer holidays) without the formation of a bad smell.

The Holiday Function H may be regulated by pressing the key B. By pressing the key B the current temperature setting flashes on the indicator. Press the key B again. When on the display appears the letter H confirm the choice of the temperature or by pressing the key E, (you will hear the buzzer) or by waiting for some seconds (you will not hear the buzzer).

Now the refrigerator is in the Holiday function in the energy- saving mode and the indicator shows the letter H. It is possible to deactivate the function at any time by changing the selected temperature in the compartment.

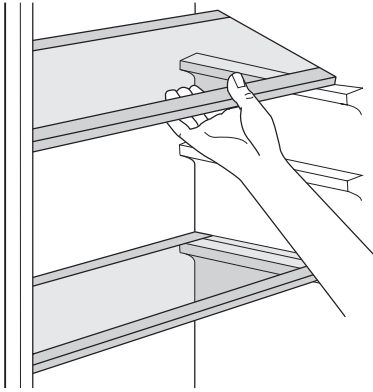
**! Warning!** The fridge compartment must be empty with Holiday function on.

### Movable shelves

The walls of the refrigerator are equipped with a series of runners so that the shelves can be positioned as desired.

Some shelves must be lifted up by the rear edge to enable them to be removed.

**Important!** Do not move the glass shelf above the vegetable drawer to ensure correct air circulation.



### Vegetable Drawer

The drawer is suitable for storing fruit and vegetables.

Some models have a separator inside the drawer that can be placed in different positions to allow for the subdivision best suited to personal needs.

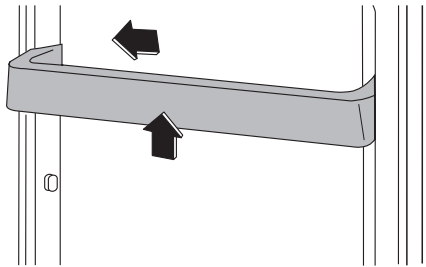
All parts inside the drawer can be removed for cleaning purposes.

### Positioning the door shelves

To permit storage of food packages of various sizes, the door shelves can be placed at different heights.

To make these adjustments proceed as follows:  
gradually pull the shelf in the direction of the arrows until it comes free, then reposition as required.

**Important!** Do not move the lower door shelf to ensure correct air circulation.

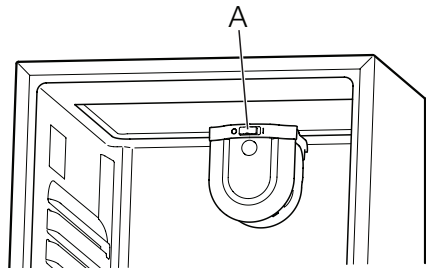


### Air circulation

The refrigerator compartment is equipped with a D.A.C. (Dynamic Air Cooling) fan which enables rapid cooling of foods and a more uniform storage temperature.

It is suggested to activate D.A.C when the ambient temperature exceeds 25°C.

Set the switch (A) to the I position and the fan runs when the compressor is running.



## Helpful hints and tips

### Hints for energy saving

- Do not open the door frequently or leave it open longer than absolutely necessary.
- If the ambient temperature is high and the Temperature Regulator is set to low temperature and the appliance is fully loaded, the compressor may run continuously, causing frost or ice on the evaporator. If this happens, set the Temperature Regulator toward warmer settings to allow automatic defrosting and so a saving in electricity consumption.

### Hints for fresh food refrigeration

To obtain the best performance:

- do not store warm food or evaporating liquids in the refrigerator
- do cover or wrap the food, particularly if it has a strong flavour
- position food so that air can circulate freely around it

### Hints for refrigeration

Useful hints:

Meat (all types) : wrap in polythene bags and place on the glass shelf above the vegetable drawer.

For safety, store in this way only one or two days at the most.

Cooked foods, cold dishes, etc.: these should be covered and may be placed on any shelf.

Fruit and vegetables: these should be thoroughly cleaned and placed in the special drawer(s) provided.

Butter and cheese: these should be placed in special airtight containers or wrapped in aluminium foil or polythene bags to exclude as much air as possible.

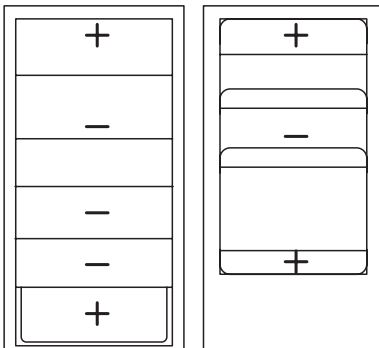
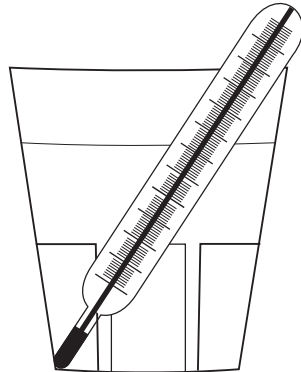
Milk bottles: these should have a cap and should be stored in the bottle rack on the door.

Bananas, potatoes, onions and garlic, if not packed, must not be kept in the refrigerator.

**Hints for temperature inside the fridge**

- A suitable temperature inside the fridge is approx. +5° C. If the temperature regulator is set to a too cold temperature, food with a high water content may start to freeze if it has been placed in the coldest places in the fridge. The picture shows the coldest and warmest places inside the fridge.

- If you want to check the temperature of food stored in the refrigerator, place a glass of water centrally in the cabinet, and put a proper thermometer with an accuracy of +/- 1 °C into it. After 6 hours the temperature can be monitored. The measuring shall be performed under steady-stated conditions (without changing the load).



**Care and cleaning**

**!** **Caution!** Unplug the appliance before carrying out any maintenance operation.

**🌿** This appliance contains hydrocarbons in its cooling unit; maintenance and re-charging must therefore only be carried out by authorized technicians.

**Periodic cleaning**

The equipment has to be cleaned regularly:

- clean the inside and accessories with luke-warm water and some neutral soap.



- regularly check the door seals and wipe clean to ensure they are clean and free from debris.
- rinse and dry thoroughly.

**Important!** Do not pull, move or damage any pipes and/or cables inside the cabinet. Never use detergents, abrasive powders, highly perfumed cleaning products or wax polishes to clean the interior as this will damage the surface and leave a strong odour.

Clean the condenser (black grill) and the compressor at the back of the appliance with a brush or a vacuum cleaner. This operation will improve the performance of the appliance and save energy consumption.

**Important!** Take care of not to damage the cooling system.

**Important!** When moving the cabinet, lift it by the front edge to avoid scratching the floor.

Many proprietary kitchen surface cleaners contain chemicals that can attack/damage the plastics used in this appliance. For this reason use a soft cloth rinsed in warm water and neutral soap emulsion for cleaning external surfaces.

**Important!** Do not use detergents or abrasive paste as these will damage the paint, or stainless steel anti finger print coating.

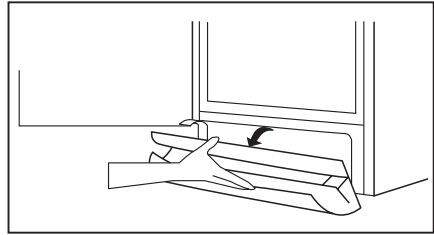
After cleaning, reconnect the equipment to the mains supply.

### Cleaning the ventilation grille

The ventilation grille can be removed for washing.

Make sure the door is open and then:

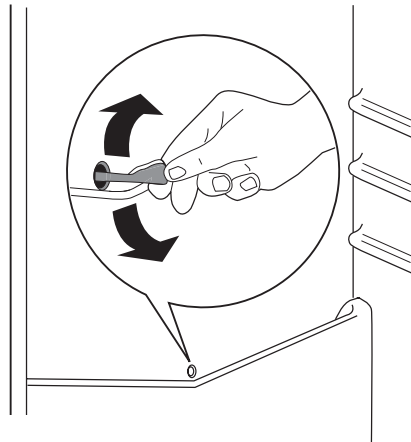
1. Loosen the upper edge of the grille by pulling outward/downward.
2. Pull the grille straight out to completely remove it.
3. Vacuum clean under the cabinet.



### Defrosting the refrigerator

Frost is automatically eliminated from the evaporator of the refrigerator compartment every time the motor compressor stops, during normal use. The defrost water drains out through a drain hole into a special container at the back of the appliance, over the motor compressor, where it evaporates.

It is important to periodically clean the defrost water drain hole in the middle of the refrigerator compartment channel to prevent the water overflowing and dripping onto the food inside.



### Periods of non-operation

When the appliance is not in use for long periods, take the following precautions:

- **disconnect the appliance from electricity supply**
- remove all food
- defrost <sup>3)</sup> and clean the appliance and all accessories
- leave the door/doors ajar to prevent unpleasant smells.

<sup>3)</sup> If foreseen.

If the cabinet will be kept on, ask somebody to check it once in a while to prevent the food inside from spoiling in case of a power failure.

## What to do if...

During operation of the appliance some smaller but annoying trouble can often occur, which does not require calling a technician out. In the following chart information is given about them to avoid unnecessary charges on service.

**Important!** The operation of the appliance goes with certain sounds (compressor and

circulating sound). This not means a trouble, but a normal operation.

**Important!** The appliance operates discontinuously, so the stopping of compressor does not mean being no current. That is why you must not touch the electrical parts of the appliance before breaking the circuit.

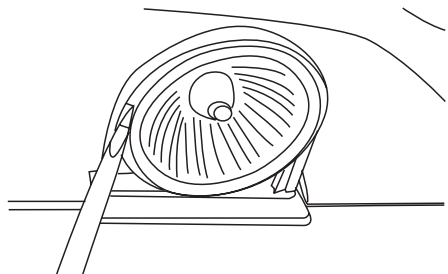
Problem	Possible cause	Solution
<b>The appliance is noisy.</b>	The appliance is not supported properly.	Check if the appliance stands stable (all feet and wheels should be on the floor). Refer to "Levelling".
	The spacers located between the back of the cabinet and the pipes come loose.	Put them back in place again.
<b>The buzzer sounds. The Alarm light flashing.</b>	The door is not closed correctly.	Refer to "Door open alarm".
<b> is displayed in the temperature display</b>	An error has occurred in measuring the temperature	Call your service representative (the cooling system will continue to keep food products cold, but temperature adjustment will not be possible)
<b>The compressor operates continually.</b>	The Temperature regulator may be set incorrectly.	Set a warmer temperature.
	The door is not closed correctly.	Refer to "Closing the door".
	The door has been opened too frequently.	Do not keep the door open longer than necessary.
	The food temperature is too high.	Let the food temperature decrease to room temperature before storage.
<b>Water flows on the rear plate of the refrigerator.</b>	The room temperature is too high.	Decrease the room temperature.
	During the automatic defrosting process, frost defrosts on the rear plate.	This is correct.
<b>Water flows into the refrigerator.</b>	The water outlet is clogged.	Clean the water outlet.
	Food prevent that water flows into the water collector.	Make sure that food do not touch the rear plate.
<b>Water flows on the ground.</b>	The melting water outlet does not flow in the evaporative tray above the compressor.	Attach the melting water outlet to the evaporative tray.
<b>There is too much frost and ice.</b>	Food are not wrapped properly.	Wrap the food better.

Problem	Possible cause	Solution
	The door is not closed correctly.	Refer to "Closing the door".
	The Temperature regulator may be set incorrectly.	Set a higher temperature.
<b>The temperature in the appliance is too low.</b>	The Temperature regulator may be set incorrectly.	Set a higher temperature.
<b>The temperature in the appliance is too high.</b>	The Temperature regulator may be set incorrectly.	Set a lower temperature.
	The door is not closed correctly.	Refer to "Closing the door".
	The food temperature is too high.	Let the food temperature decrease to room temperature before storage.
<b>The temperature in the refrigeration is too high.</b>	There is no cold air circulation in the appliance.	Make sure that there is cold air circulation in the appliance.
	Large quantities of food to be cooled were put in at the same time.	Insert smaller quantities of food to be cooled at the same time.
<b>The appliance does not operate.</b>	The appliance is switched off.	Switch on the appliance.
	The mains plug is not connected to the mains socket correctly.	Connect the mains plug to the mains socket correctly.
	The appliance has no power. There is no voltage in the mains socket.	Connect a another electrical appliance to the mains socket. Check fuse. Contact a qualified electrician.
<b>The fan does not operate.</b>	The compressor does not operate.	This is correct. The fan runs only when the compressor is running
<b>The lamp does not work.</b>	The lamp is defective.	Refer to "Replacing the lamp".
	The door has been open too long.	Close the door.
<b>Door interferes with ventilation grill.</b>	The appliance is not levelled.	Refer to "Levelling".
<b>Misaligned door.</b>	The appliance is not levelled.	Refer to "Levelling".

As much as the advice does not lead to result, call the nearest brand-mark service.

### Replacing the lamp

1. Disconnect the appliance from the power socket.
2. Disassemble the lamp by using a screwdriver in the recess on the lamp insert.
3. Assemble a new lamp by guiding it into a centred position and press until it snaps. Use a halogen bulb of the same type, maximum rating of 20 W
4. Reconnect the appliance.



### Closing the door

1. Clean the door gaskets.


- If necessary, adjust the door. Refer to "Installation".
- If necessary, replace the defective door gaskets. Contact the Service Force Center.

## Technical data

		ERA37300W	ERA37300X
Dimension	Height	1800 mm	1800 mm
	Width	595 mm	595 mm
	Depth	623 mm	623 mm

The technical information are situated in the rating plate on the internal left side of the appliance and in the energy label.

## Installation

 Read the "Safety Information" carefully for your safety and correct operation of the appliance before installing the appliance.

- behind and above the top cupboard. In this case, the space behind the top cupboard must be at least 50 mm deep.

### Positioning

Install this appliance at a location where the ambient temperature corresponds to the climate class indicated on the rating plate of the appliance:

Climate class	Ambient temperature
SN	+10°C to + 32°C
N	+16°C to + 32°C
ST	+16°C to + 38°C
T	+16°C to + 43°C

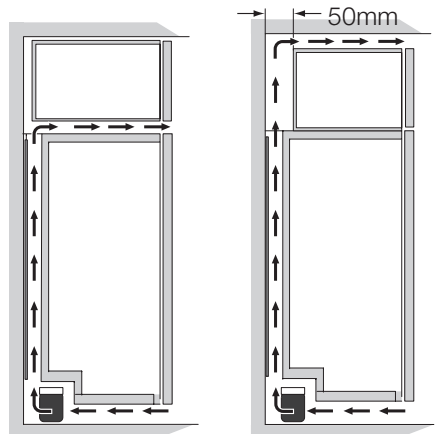
### Location

To ensure best performance, if the appliance is positioned below an overhanging wall unit, the minimum distance between the top of the cabinet and the wall unit must be at least 40 mm. Ideally, however, the appliance should not be positioned below overhanging wall units.

If the cabinet is placed in a corner and the side with the hinges facing the wall, the distance between the wall and the cabinet must be at least 10 mm to allow the door to open enough so that the equipment can be removed.

The ventilation space can be:

- directly above the appliance



### Electrical connection

Before plugging in, ensure that the voltage and frequency shown on the rating plate correspond to your domestic power supply. The appliance must be earthed. The power supply cable plug is provided with a contact for this purpose. If the domestic power supply socket is not earthed, connect the appliance to a separate earth in compliance with current regulations, consulting a qualified electrician.

The manufacturer declines all responsibility if the above safety precautions are not observed.

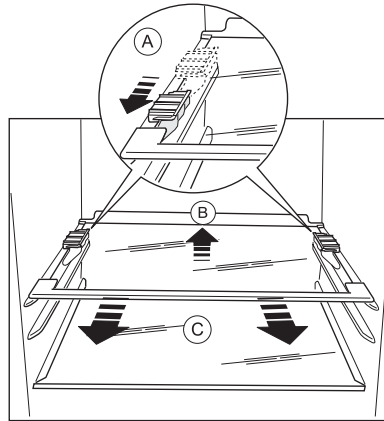
This appliance complies with the E.E.C. Directives.

### Removing the transport support

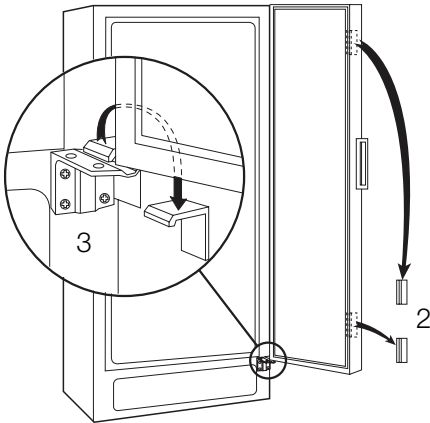
Your appliance is equipped with transport support to secure the door during transportation.

To remove them do these steps:

1. Open the door.
2. Remove the transport support from the door sides.
3. Remove the transport support from the lower hinge (some models are fitted with this).



**Important!** Some models are fitted with a silencing pad under the cabinet. Do not remove this pad.



### Removing the shelf holders

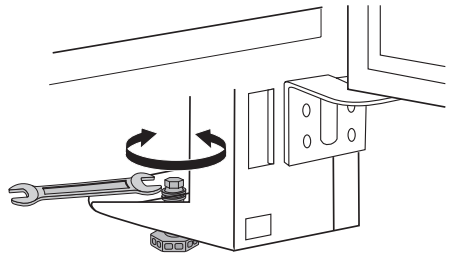
Your appliance is equipped with shelf retainers that make it possible to secure the shelves during transportation.

To remove them proceed as follows:

1. Move the shelf holders in the direction of the arrow (A).
2. Raise the shelf from the rear and push it forward until it is freed (B).
3. Remove the retainers (C).

### Levelling

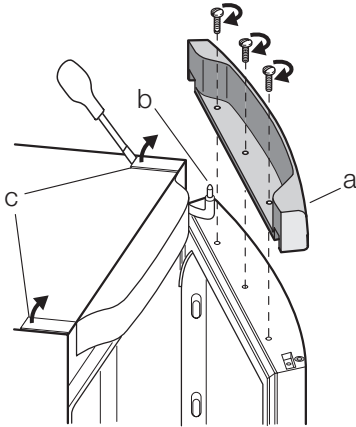
When placing the appliance ensure that it stands level. If necessary adjust the feet using the adjustment spanner supplied.



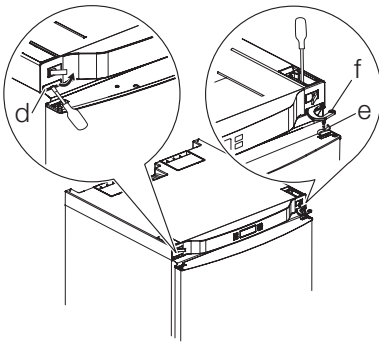
### Door reversibility

To change the opening direction of the door, do these steps:

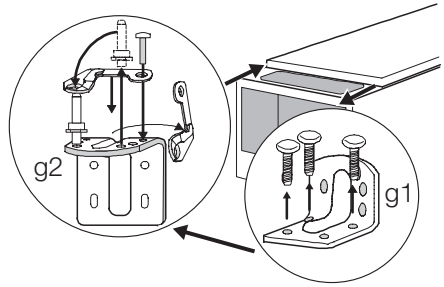
1. Remove the plug from the power socket.
2. Remove the ventilation grille. Remove the filling and install it on the opposite side of the grille.
3. Lay the appliance back side down on a wooden support.
4. Unscrew and remove the front cover (a).
5. Unscrew the hinge pin (b) and remove the door.
6. Remove the two covers on the roof (c).



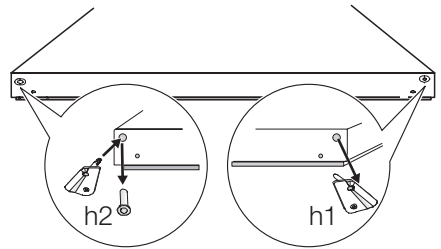
7. Remove the cover on the front (d).
8. Unscrew and move the door stopper (e) to the opposite side.
9. Unscrew and move the hinge (f) to the opposite side.



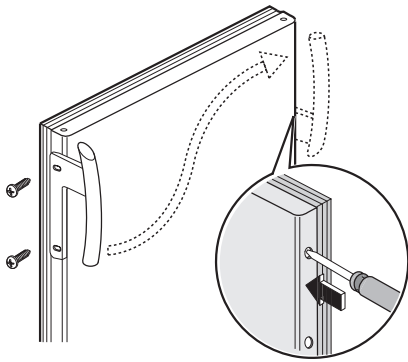
10. Unscrew the lower hinge (g1). Remove the door closing device from the hinge and move the pin to the other side. Screw on the door closing device provided within the accessory bag (g2). Screw on the lower hinge on the opposite side.



11. Remove the door closing device on the door (h1). Screw on the door closing device provided within the accessory bag on the opposite side (h2).



12. Reassembly the door.
13. Screw on the hinge pin (b) on the opposite side.
14. Reassembly the covers (c) and (d) and the front cover (a).
15. Raise the appliance and install the ventilation grille.
16. Unscrew the handle. On the opposite side remove the hole covers by driving a 3-4 mm drift or drill into them. Install the handle. Fit the handle on to the opposite side by turning it one half circle. Install the hole covers provided within the accessory bag.



17. Put the cabinet in position.


**Warning!** Reposition, level the appliance, wait for at least four hours and then connect it to the power socket.

Do a final check to make sure that:

- All screws are tightened.
- The magnetic seal adheres to the cabinet.
- The door opens and closes correctly.

**Warning!** If the ambient temperature is cold (i.e. in Winter), the gasket may not fit perfectly to the cabinet. In that case, wait for the natural fitting of the gasket.

## Environmental concerns

The symbol  on the product or on its packaging indicates that this product may not be treated as household waste. Instead it should be taken to the appropriate collection point for the recycling of electrical and electronic equipment. By ensuring this product is disposed of correctly, you will help prevent potential negative consequences for the environment and human health, which could otherwise be caused by inappropriate waste handling of this product. For more detailed information about recycling of this product, please contact your local council, your household waste disposal service or the shop where you purchased the product.

[www.electrolux.com](http://www.electrolux.com)

[www.electrolux.ru](http://www.electrolux.ru)

[www.electrolux.se](http://www.electrolux.se)