

Contact Details

Please note that some of the contact details on this PDF document may not be current.

Please use the following details if you need to contact us:

Telephone: 0844 879 3588

Email: customer.services@gdcgroup.co.uk

The customer support section of our website also features a wide range of information which may be of use to you and is available 24 hours a day. It includes:

- Operating and installation instructions
- Easy 'How to use' guides for storage heaters
- Service and repairs
- Where to buy our products
- Literature downloads
- Heating requirement calculator

Visit - www.dimplex.co.uk/support

Dimplex



Cavendish CSH20, Chesford CSD20

GB

RU

08/50894/1 Issue 1

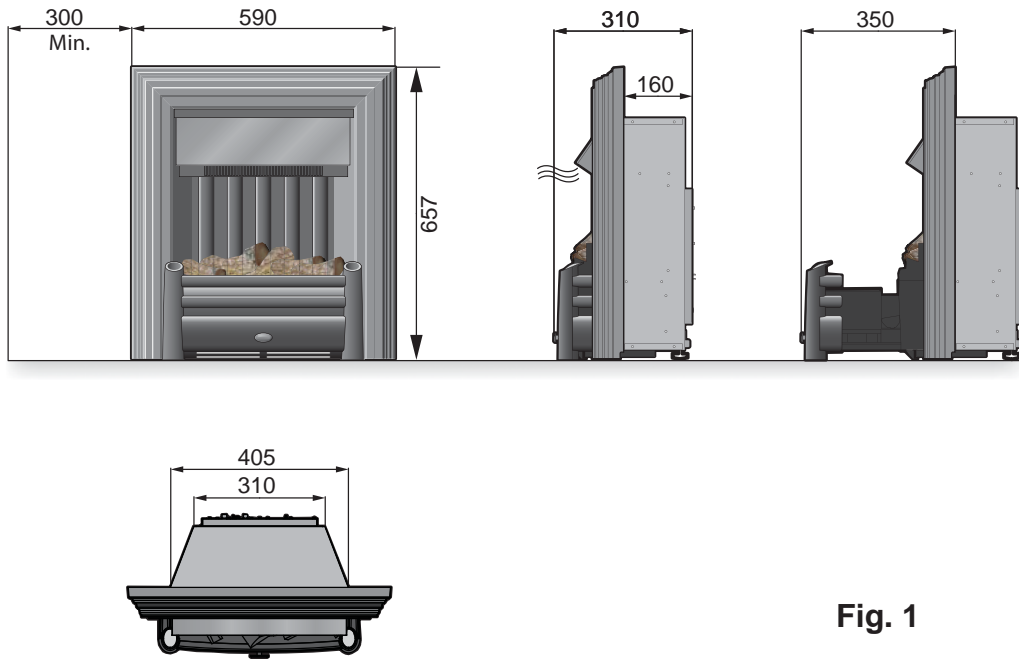


Fig. 1

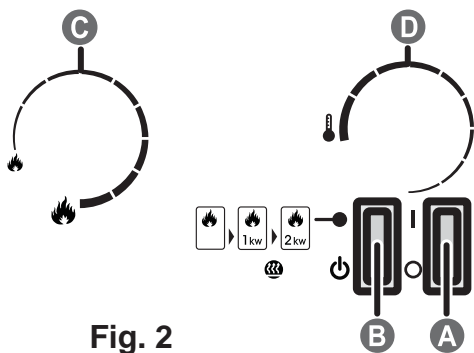


Fig. 2

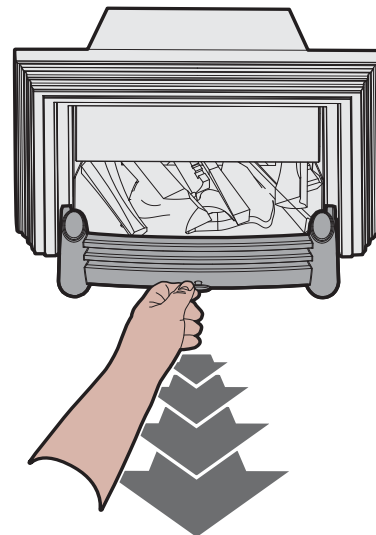


Fig. 3

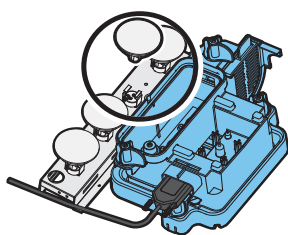


Fig. 4

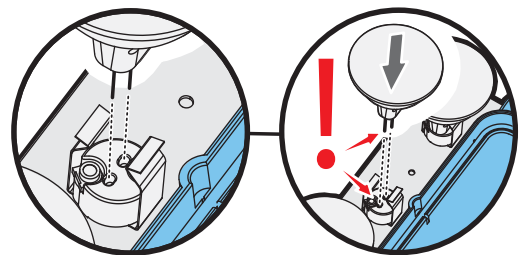


Fig. 5

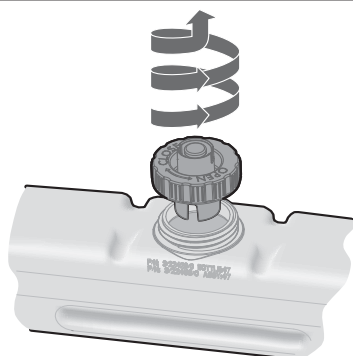


Fig. 6

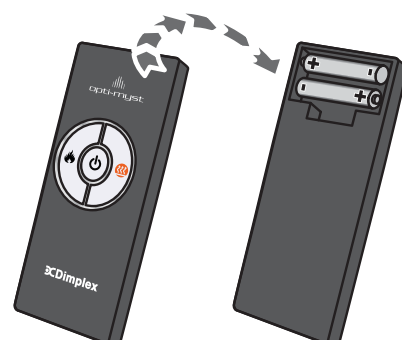


Fig. 7

Fig. 8

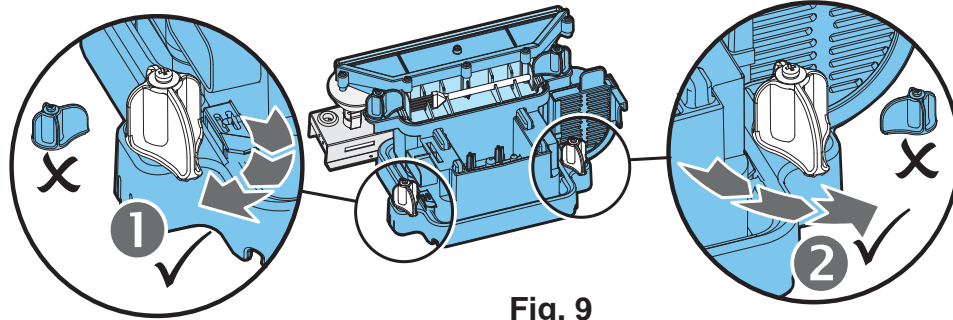
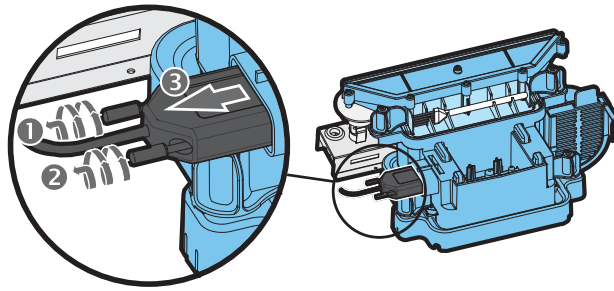


Fig. 9

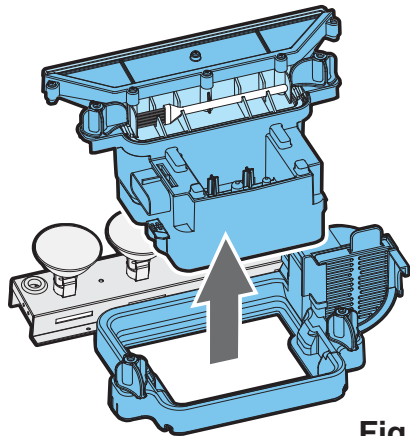


Fig. 10

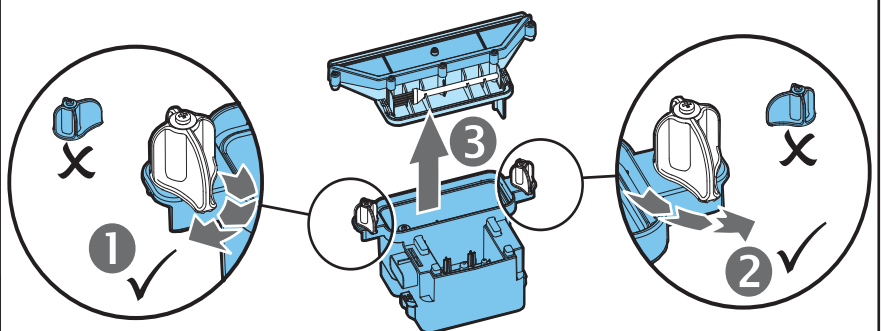


Fig. 11

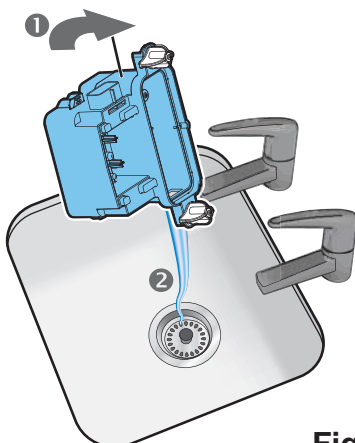
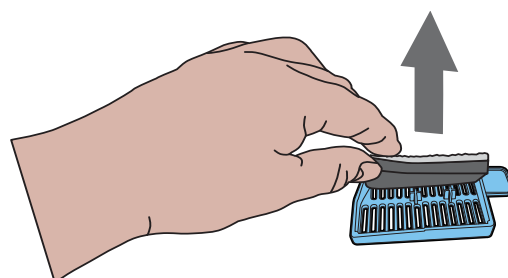
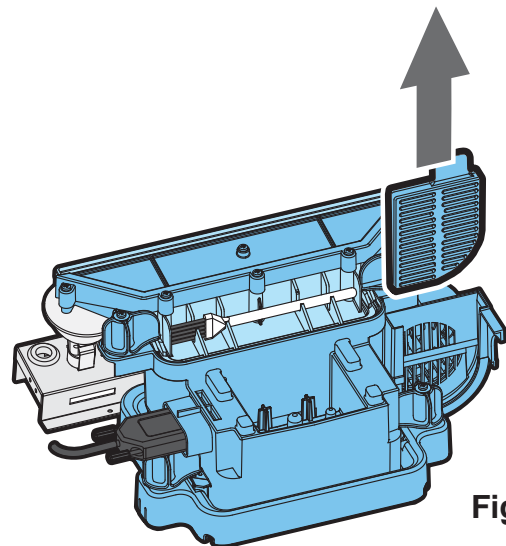
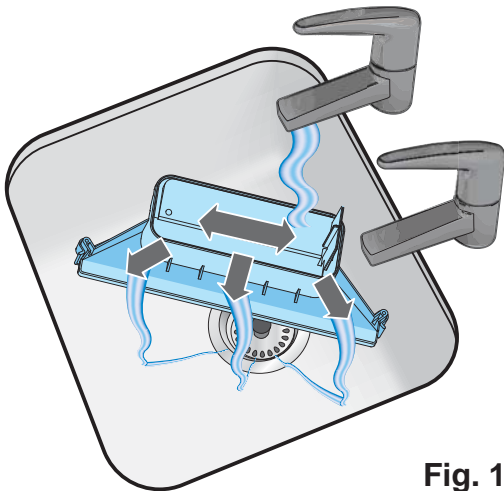
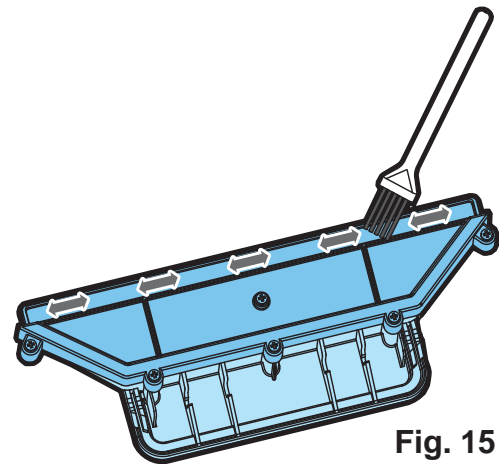
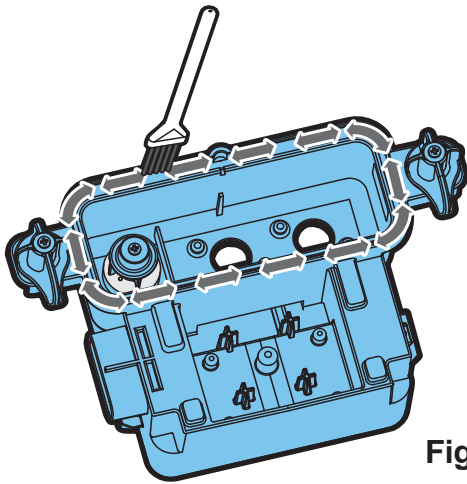
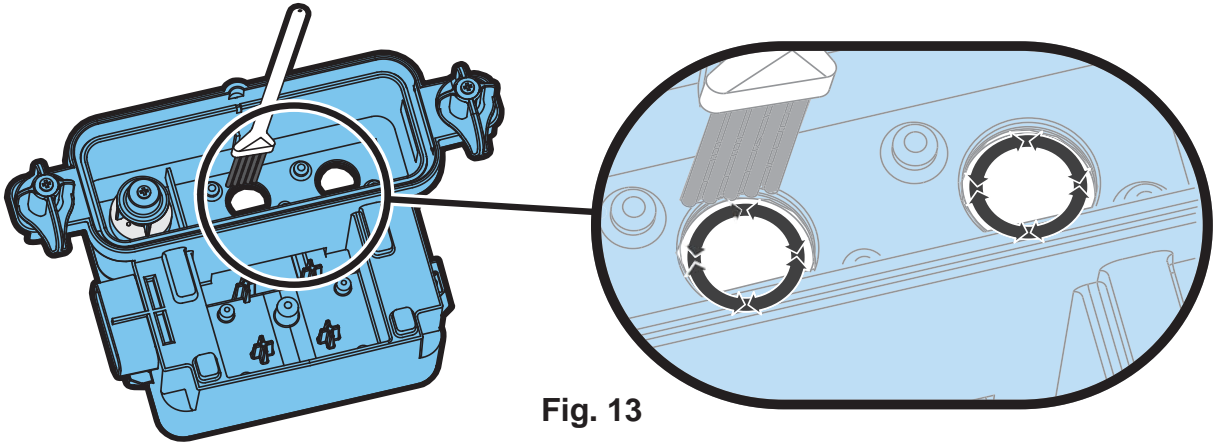


Fig. 12



GB	1
RU	3

IMPORTANT: THESE INSTRUCTIONS SHOULD BE READ CAREFULLY AND RETAINED FOR FUTURE REFERENCE

Important Safety Advice:

When using electrical appliances, basic precautions should always be followed to reduce the risk of fire, electrical shock and injury to persons, including the following:

If the appliance is damaged, check with the supplier before installation and operation.

Do not use outdoors.

Do not use in the immediate surroundings of a bath, shower or swimming pool.

Do not locate the heater immediately below a fixed socket outlet or connection box.

This appliance is not intended for use by children or other persons without assistance or supervision if their physical, sensory or mental capabilities prevent them from using it safely. Children should be supervised to ensure that they do not play with the appliance.

Do not use this heater in series with a thermal control, a program controller, a timer or any other device that switches on the heat automatically, since a fire risk exists when the heater is accidentally covered or displaced.

Ensure that furniture, curtains or other combustible material are positioned no closer than 1 metre from the heater.

In the event of a fault unplug the heater.

Unplug the heater when not required for long periods.

Although this heater complies with safety standards, we do not recommend its use on deep pile carpets or on long hair type of rugs.

The appliance must be positioned so that the plug is accessible.

If the supply cord is damaged it must be replaced by the manufacturer or service agent or a similarly qualified person in order to avoid a hazard.

Keep the supply cord away from the front of the heater.

WARNING: In order to avoid overheating, do not cover the heater. Do not place material or garments on the heater, or obstruct the air circulation around the heater.



The heater carries the Warning symbol indicating that it must not be covered.

General.

Unpack the heater carefully and retain the packaging for possible future use, in the event of moving or returning the fire to your supplier. The Remote Control and batteries are packed separately in the carton.

The fire incorporates a flame effect, which can be used with or without heating, so that the comforting effect may be enjoyed at any time of the year. Using the flame effect on its own only requires little electricity.

The heater is designed for use inset into a 407mm (16") or 457mm (18") wide by 559mm (22") high fireplace opening or freestanding - see also section 'Installation Instructions'.

Before connecting the heater check that the supply voltage is the same as that stated on the heater.

Please note: Used in an environment where background noise is very low, it may be possible to hear a sound which is related to the operation of the flame effect. This is normal and should not be a cause for concern.

Electrical connection.

WARNING – THIS APPLIANCE MUST BE EARTHED.

This heater must be used on an AC ~ supply only and the voltage marked on the heater must correspond to the supply voltage.

Before switching on, please read the safety warnings and operating instructions.

PLEASE RETAIN THIS USER'S GUIDE FOR FUTURE REFERENCE

Do not put Opti-myst plastic components into a dishwasher.

Only slide out the drawer when the water tank needs to be filled or a lamp needs to be changed otherwise you will inadvertently alter the water level and the flame effect operation.

Only use filtered tap water in this appliance.

Always ensure that the appliance is sitting on a level floor.

If you intend not using the appliance for longer than 2 weeks, drain the water from sump and water tank and dry the sump.

Once installed, never move this appliance or lay on its back, without draining the water from sump and water tank.

The water tank, sump, sump lid, tank cap and air filters must be cleaned once every two weeks, particularly in hard water areas.

The appliance should never be operated if the lamps are not working.

The lamps should be regularly inspected as described under 'Maintenance' and 'Changing Lamps'.

Installation Instructions

Before installing this appliance, we recommend that:

1. You have your chimney cleaned by a competent chimney sweep.
2. You block off the chimney flue.

This procedure is important for the efficient operation of the heating unit and will also reduce heat loss up the chimney.

Installation.

Ensure that all packing items are removed (read any warning labels carefully).

Retain all packing for possible future use, in the event of moving or returning the appliance to your supplier.

To install the appliance;

1. Remove the fireplace grate, ashpan etc.
2. The ashbed grate should be stored away for possible future use.
3. Clean the hearth of any ash residue or dust etc.

At the rear of the appliance, two adjustable supports are provided for levelling, where the base of the fireplace opening is raised above the level of the hearth.

You are now ready to install the electric fire into your fireplace.

Make sure the unit is switched **OFF**.

Hold the fire by the sides of surround and gently manoeuvre into position. Plug the fire into a 13amp/240 volt outlet. Ensure that the supply cable exits at the front of the fire, at the right or left hand corner to suit your supply socket location and is not trapped under the fire such that it might cause it to be damaged.

Before using the manual controls firstly fill the water tank (See 'Maintenance', 'Filling the water tank').

Manual Controls.

The Opti-myst Manual controls are located beneath the hinged canopy cover. Raise the canopy cover to access the controls. (See Fig. 2 for Manual Control lay out)

Switch 'A': Controls the electricity supply to the heater.

Note: This switch must be in the 'ON' (I) position for the heater to operate with or without heat.

Switch 'B': Controls the function of the fire.

Press  once to turn on flame effect. This will be indicated by one beep.


Although the main lights operate immediately it will take a further 30 seconds before the flame effect starts.

Press  again to give flame effect and half heat. This will be indicated by two beeps.

Press  again to give flame effect and full heat. This will be indicated by three beeps.

Press  again to return to flame effect only.

This will be indicated by one beep.

Press  to put fire in to standby mode.

This will be indicated by one beep.

Control Knob 'C': Controls the intensity of the flame effect.

Turning the control knob Clockwise increases the flame effect, turning the control knob Anti Clockwise will decrease the flame effect.

Control Knob 'D': Controls the Electronic Thermostat setting.

Turning the control knob Clockwise will decrease the temperature setting, turning the control knob Anti Clockwise will increase the temperature setting.

When the water is empty the main lamps go out. See instructions under 'Maintenance', 'Filling the water tank'. When this procedure is complete, the main lamps will illuminate but it will take 30 seconds before the flames return.

Electronic Thermostat

The thermostat controls the heat output according to the room temperature. This ensures that the heater will not produce heat unnecessarily when the room is warm.

To set the temperature you require, turn the thermostat control knob 'D' (See Fig. 2) Anti-Clockwise until the desired temperature is reached. Alternatively to heat a cold room quickly, turn the thermostat control knob 'D' (See fig. 2) up fully. When the room has reached the desired temperature, turn the thermostat control knob 'D' (See Fig. 2) clockwise until the desired heat setting is achieved.

The heater will now automatically operate at this temperature.

Remote Control Operation

On the control panel, Switch A (see Fig. 2) must be in the 'ON' (I) position in order for the remote control to operate. There are 3 buttons on the remote control. (See Fig. 7)

To operate correctly the remote must be pointed towards the front fuel effect.

The remote control functions are as follows:



Press once to turn on Flame effect only.
This will be indicated by one beep.



Press once to turn on Half heat and Flame effect.
This will be indicated by two beeps.
Press again to turn on Full heat and Flame effect.
This will be indicated by three beeps.



Standby
This will be indicated by one beep.

Battery Information.

1. Unclip the battery cover on the back of the remote control. (See Fig. 7)
2. Install AAA batteries into the remote control.
3. Replace the battery cover.

Discard leaky batteries.

Dispose of batteries in the proper manner according to provincial and local regulations.

Any battery may leak electrolyte if mixed with a different battery type, if inserted incorrectly, if all the batteries are not replaced at the same time, if disposed of in a fire, or if an attempt is made to charge a battery not intended to be recharged.

Thermal safety cut-out

A thermal safety cut-out is incorporated in the fan heater to prevent damage due to overheating. This can happen if the heat outlet was restricted in any way or if the chimney flue has not been blocked off effectively. If the cut-out operates, unplug the heater from the socket outlet and allow approximately 10 minutes before reconnecting. Before switching the heater back on remove any obstruction that may be restricting the heat outlet, then continue normal operation.

Tips for using your appliance.

1. Only pull out the drawer when its time to refill the water tank or change a lamp, otherwise it may lead to excess water in the sump and reduced flame effect. If this happens empty the water from the sump as instructed under 'Maintenance'.
2. With the flame setting on minimum the unit will use approximately 40ml of water per hour and will last 3 times as long than when it is at maximum flame setting.
3. Do not tilt or move the fire while there is water in the tank or sump.
4. Make sure that the fire is on a level floor.
5. The flame control knob 'C' Fig. 2 may be turned up or down to give a more realistic effect.
6. Sometimes the flames appear more real when the flame control knob is turned down.
7. Give the flame generator some time to react to changes you may make on the flame control knob.

Maintenance

WARNING: ALWAYS DISCONNECT FROM THE POWER SUPPLY BEFORE ATTEMPTING ANY MAINTENANCE

Fitment and replacming lamps.

If a large amount of the smoke appears grey or colourless it may be that one or more lamps have failed.

You can check for lamp failure as follows.

1. Leaving the flame effect on, gently pull the drawer fully out by the tab. (See Fig. 3)
2. View the lamps from a distance in front of the fire and observe which lamp needs to be changed.
3. Put Switch 'A' in the 'OFF' position, and unplug the fire from the mains.
4. Leave the appliance for 20 minutes to allow the lamps to cool down before removing them.
5. Remove the water tank by lifting upwards and place in a sink.
6. Remove the sump as described in the Cleaning Section.
7. Remove the defective lamp, by gently lifting vertically and disengaging the pins from the lamp holder, (See Fig. 4 and 5). Replace with a Dimplex Opti-myst, 12V, 50W, Gu5.3 base, 8° beam angle, coloured lamp. (Purchased from www.dimplex.co.uk under the section 'After Sales Service', details of how to purchase the lamps are contained therein.)
8. Carefully insert the two pins of the new lamp into the two holes in the lamp holder. Push firmly in place. (See Fig. 4 and 5).
9. Replace the Sump and water tank and carefully close the drawer.
10. Switch on.

Filling the water tank.

When the water tank is empty, flame and smoke effect shuts off, and you will hear 2 audible 'beeps'. Follow these steps to refill:

1. Press Switch 'A' to (0) (See Fig. 2)
2. Gently pull out the drawer as far as possible by the tab. (See Fig. 3)
3. Remove the water tank by lifting upwards and outwards.
4. Place the water tank in sink and remove cap, Anti-clockwise to open. (See Fig. 6)
5. Fill tank with **filtered tap water only**. This is necessary to prolong the life of the flame and smoke producing unit.
The water should be filtered through a conventional domestic water filter unit and the filter should be replaced regularly.
6. Screw the cap back on, **do not overtighten**.
7. Return the tank to the sump, with the tank cap facing down and the flat side of the tank facing outward.
8. Gently push the drawer back in as far as it will go.
9. Press Switch 'A' to 'ON' (1) position (See Fig. 2)
10. Press Switch 'B' once to turn on flame effect. (See manual control section and Fig. 2)

Cleaning.

WARNING – ALWAYS DISCONNECT FROM THE POWER SUPPLY BEFORE CLEANING THE HEATER.

We recommend cleaning the following components once every 2 weeks, particularly in hard water areas:-

Water Tank, Sump and Seal, Sump lid, Tank cap and seal, Air filter.

For general cleaning use a soft clean duster – never use abrasive cleaners. To remove any accumulation of dust or fluff the soft brush attachment of a vacuum cleaner should occasionally be used to clean the outlet grille of the fan heater.

Water tank

1. Remove water tank, as described earlier, put into sink and empty water.
2. Using the supplied brush gently rub the inside surfaces of the cap paying particular attention to the rubber ring in the outer groove and the centre rubber seal.
3. Put a small quantity of washing up liquid into the tank, refit the cap and shake well, rinse out until all traces of washing up liquid are gone.
4. Refill with filtered tap water only, replace the cap, do not overtighten.

Sump

1. Press Switch 'A' to the 'OFF' (0) position
2. Gently pull the drawer out as far as possible. (See Fig. 3)
3. Remove the water tank by lifting upwards.
4. Disconnect the electrical connector, located on the left side of the sump, by first loosening the two retaining screws and gently withdrawing the connector. (See Fig. 8)
5. Release the lower sump locking tabs by turning 90°, this allows the sump to be lifted completely from its location. (See Fig. 9)
6. Gently lift up the sump assembly, taking care to keep level so as not to spill any water. Sit the assembly in the sink. (See Fig. 10)
7. Release the two upper sump locking tabs by turning 90°, then lift off the sump lid. (See Fig. 11)
8. Carefully tilt, as shown, so that the liquid drains out of the sump. (See Fig. 12)
9. Put a small amount of washing up liquid into the sump, and using the supplied brush, gently clean all surfaces including the metal discs and the rubber seal located in the top grooved surface. **Do not remove the rubber seals.** (See Fig. 13 and 14)
10. When cleaned, thoroughly rinse the sump with clean water.
11. Clean the outlet surface of the sump lid with the brush and flush out thoroughly with water. (See Fig. 15 & 16)
12. Reverse the above steps to reassemble.

Air filter.

1. Press Switch 'A' to the 'OFF' (0) position (See Fig. 2)
2. Gently pull the drawer out as far as possible. (See Fig. 3)
3. Remove the tank and place in a sink with the cap facing upwards.
4. Gently slide upwards the air filter plastic holder. (See Fig. 17)
5. Remove the filter combination from the plastic holder.
6. Gently rinse with water in the sink and dry with fabric towel before returning.
7. Replace the filter combination making sure that the coarse black filter is in contact with the plastic holder. (See Fig. 18)
8. Replace the tank.
9. Close the drawer fully.
10. Press Switch 'A' to the 'ON' (1) position (See Fig. 2)



Recycling.

For electrical products sold within the European Community. At the end of the electrical products useful life it should not be disposed of with household waste. Please recycle where facilities exist. Check with your Local Authority or retailer for recycling advice in your country.

After Sales Service.

Your product is guaranteed for two years from the date of purchase. Within this period, we undertake to repair or exchange this product free of charge (excluding lamps & subject to availability) provided it has been installed and operated in accordance with these instructions. Should you require after sales service or should you need to purchase any spares, please contact the retailer from whom the appliance was purchased or contact the service number relevant to your country on the warranty card. Please do not return a faulty product to us in the first instance as this may result in the loss or damage and delay in providing you with a satisfactory service.

Please retain your receipt as proof of purchase.

Symptom	Cause	Corrective Action
The flame effect will not start.	Mains plug is not plugged in. Switch A is in the 'ON' (1) position, but mode Switch B has not been pressed. (See Fig. 2) Low water level. Low voltage connector not connected properly. (See Fig. 8)	Check plug is connected to wall socket correctly. Press Switch B once for flame effect. (See Fig. 2) Check the water tank is full and there is water in the sump. Check that the connector is inserted correctly. (See Fig. 8)
The flame effect is too low.	Flame effect control knob is set too low. (See Fig. 2) The water in the sump may be too high due to the drawer being opened and closed a number of times, water tank removed a number of times, or the fire has been moved. Metal Disc at the base of Sump might be dirty (See Fig. 13)	Increase level of flame by turning Control knob C clockwise slowly. (See Fig. 2) If water level in the sump is more than 40mm, the sump should be removed and emptied in the sink. Clean Metal Discs with soft brush supplied. (See Fig. 13) See 'Maintenance' for a step by step procedure.
Unpleasant smell when unit is used.	Dirty or stale water. Using unfiltered tap water.	Clean the unit as described under maintenance. Use only filtered tap water.
The flame effect has too much smoke.	Flame effect setting is too high.	Turn the flame effect Control knob C anticlockwise to minimum and slowly turn clockwise, about ¼ a turn, at a time. Give the flame generator some time to adjust before increasing. (See Fig. 2)
Main lamps are not working and there are no flames or smoke.	There is no water in the tank.	Follow instructions under Maintenance , 'Filling the water tank'. Check the plug is connected to wall socket correctly. Switch 'A' Fig. 2 is in the 'ON' (1) position. Press switch 'B' Fig. 2 until you can hear one beep only, for flame effect.

ВАЖНАЯ ИНФОРМАЦИЯ: ВНИМАТЕЛЬНО ПРОЧИТАЙТЕ ЭТИ ИНСТРУКЦИИ И СОХРАНИТЕ ИХ ДЛЯ БУДУЩЕГО ИСПОЛЬЗОВАНИЯ

Важная информация по технике безопасности:

Для снижения риска воспламенения, поражения электрическим током и получения травм при использовании электроприборов необходимо соблюдать основные меры безопасности, в том числе:

Если прибор поврежден, перед его установкой и эксплуатацией обратитесь за консультацией к поставщику оборудования.

Не используйте прибор вне помещений.

Не используйте прибор в непосредственной близости от ванной комнаты, душа или бассейна.

Не располагайте прибор непосредственно под штепсельной розеткой или соединительной коробкой.

Данный прибор не предназначен для использования детьми или другими лицами без посторонней помощи или контроля, если их физические, осязательные или умственные способности препятствуют безопасной эксплуатации прибора. Внимательно следите за тем, чтобы дети не играли с прибором.

Не используйте обогреватель в сочетании с терморегулятором, программным контроллером, таймером или любым другим устройством, которое осуществляет автоматическое переключение в режим нагрева, поскольку случайный заслон или смещение обогревателя может стать причиной пожара.

Убедитесь в том, что на расстоянии 1 м от обогревателя отсутствует мебель, шторы или другие воспламеняющиеся предметы.

В случае сбоя вытащите вилку обогревателя из розетки.

Отсоединяйте прибор от розетки, если он не используется в течение длительного времени.

Хотя прибор соответствует нормам безопасности, мы не рекомендуем устанавливать его на ковровых покрытиях с длинным ворсом.

Прибор следует располагать так, чтобы имелся доступ к его вилке.

Если шнур питания поврежден, во избежание возникновения опасных ситуаций его замена должна осуществляться изготовителем, агентом по сервисному обслуживанию или специалистом аналогичной квалификации.

Следите за тем, чтобы шнур питания не оказался в зоне перед обогревателем.

ВНИМАНИЕ: Не накрывайте обогреватель во избежание перегрева. Не кладите на обогреватель ткань или одежду и не создавайте препятствия для циркуляции воздуха вокруг обогревателя.



На обогревателе располагается предупреждающий знак, показывающий, что прибор нельзя накрывать.

Общая информация.

Аккуратно распакуйте обогреватель и сохраните упаковку для дальнейшего использования на случай транспортировки или возврата электрического каминного поставщику. Пульт дистанционного управления и батарейки упакованы в отдельную коробку.

В камине предусмотрен эффект живого пламени, который можно использовать как в сочетании с функцией нагрева, так и без нее, что обеспечивает создание уютной обстановки в любое время года. При включении только эффекта пламени прибор потребляет небольшое количество электроэнергии.

Обогреватель встраивается в нишу шириной 407 мм (16") или 457 мм (18") и высотой 559 мм (22") или устанавливается в качестве отдельно стоящего прибора - см. также раздел "Указания по установке".

Перед подключением обогревателя убедитесь в том, что напряжение питания соответствует значению, указанному на обогревателе.

Примечание: Если прибор используется в помещении с низким уровнем фонового шума, можно услышать звук, создаваемый эффектом пламени. Это нормальное явление, которое не должно служить причиной для беспокойства.

Электрическое подключение.

ВНИМАНИЕ! ДАННЫЙ ПРИБОР ТРЕБУЕТ ЗАЗЕМЛЕНИЯ.

Прибор следует подключать только к источнику питания переменного тока, при этом напряжение должно соответствовать указанному на приборе.

Перед включением прибора ознакомьтесь с указаниями по безопасности и инструкции по эксплуатации.

СОХРАНИТЕ ДАННОЕ РУКОВОДСТВО ДЛЯ БУДУЩЕГО ИСПОЛЬЗОВАНИЯ

Не мойте пластмассовые части прибора Opti-myst в посудомоечной машине.

Выдвигайте ящик только при необходимости доливки воды в бак или замены лампы, иначе вы можете случайно изменить уровень воды и нарушить работу эффекта пламени.

Использовать для этого прибора только фильтрованную водопроводную воду.

Устанавливать прибор только на ровном полу.

Если прибор не будет использоваться в течение более 2 недель, слейте воду из поддона и протрите поддон.

После установки нельзя перемещать и опрокидывать прибор, не слив предварительно воду из поддона и бака.

Бак для воды, поддон, крышку поддона, пробку бака и воздушные фильтры следует очищать каждые две недели, в особенности в регионах с жесткой водой.

Нельзя использовать прибор, если лампы не работают.

Лампы следует регулярно проверять, как описано в главах "Техобслуживание" и "Замена ламп".

Указания по установке

Перед установкой прибора рекомендуется следующее:

1. Почистить дымовую трубу, обратившись в профессиональную службу.
2. Открыть дымоход.

Данная процедура важна для эффективной работы нагревательного элемента и уменьшит тепловпотери через дымоход.

Установка.

Убедитесь, что весь упаковочный материал снят (внимательно читайте все предупреждающие надписи).

Сохраните всю упаковку на случай последующей транспортировки или возврата прибора поставщику.

Установка прибора:

1. Снимите каминную решётку, зольник и др.
2. Сохраните решётку для дальнейшего использования.
3. Очистите толку от остатков золы, пыли и т. д. дачия подтверждается двумя звуковыми сигналами.

В задней части прибора находятся две регулируемые опоры, предназначенные для выравнивания каминного в случае, если каминная ниша находится выше уровня топки.

Теперь вы готовы к установке электрокамина в предусмотренное для него место.

Убедитесь, что прибор **ВЫКЛЮЧЕН**.

Держите камин по бокам и осторожно установите в нужное положение. Подключите камин к розетке 13 А / 240 В. Убедитесь, что кабель питания выходит спереди каминного, в правом или левом углу, дотягивается до электророзетки и не зажат под каминным, что может привести к его повреждению.

Перед использованием элементов ручного управления заполните бак водой (см. "Техобслуживание", "Заполнение бака для воды").

Элементы ручного управления.

Элементы ручного управления прибора Opti-myst находятся под откидной крышкой кожуха.

Поднимите крышку, чтобы получить доступ к элементам управления. (Схему элементов ручного управления см. на рис. 2)

Выключатель "А": управляет подачей питания к прибору.

Примечание: Для работы прибора в режиме нагрева или без него данный выключатель должен находиться в положении ON (ВКЛ.) (1).

Выключатель "В": управляет функциями каминного.

Нажмите один раз, чтобы включить эффект пламени. Операция подтверждается одиночным звуковым сигналом.

Хотя основные индикаторы загораются немедленно, для включения эффекта пламени требуется ещё около 30 секунд.

Нажмите ещё раз, чтобы включить эффект пламени и половинный нагрев.

Операция подтверждается двумя звуковыми сигналами.

Нажмите ещё раз, чтобы включить эффект пламени и полный нагрев. Операция подтверждается тремя звуковыми сигналами.

Нажмите ещё раз, чтобы оставить камин в режиме ожидания. Операция подтверждается одиночным звуковым сигналом.

Нажмите чтобы перевести камин в режим ожидания. Операция подтверждается одиночным звуковым сигналом.

Регулятор "С": управляет интенсивностью эффекта пламени.

При вращении регулятора по часовой стрелке интенсивность пламени увеличивается, при вращении регулятора против часовой стрелки - уменьшается.

Регулятор "D": управляет настройкой электронного термостата.

При вращении регулятора по часовой стрелке температура уменьшается, при вращении против часовой стрелки - температура увеличивается.

Когда бак для воды пуст, основные индикаторы выключаются. См. указания в главах "Техобслуживание", "Заполнение бака для воды". После завершения операции основные индикаторы загораются, однако для возобновления эффекта пламени требуется ещё 30 секунд.

Электронный термостат

Термостат предназначен для управления мощностью нагрева в соответствии с температурой в помещении. Этим гарантируется, что прибор не будет производить лишнее тепло, когда в комнате тепло.

Чтобы установить нужную температуру, поверните регулятор термостата "D" (см. рис. 2) против часовой стрелки до необходимой температуры. Для быстрого нагрева холодного помещения поверните регулятор термостата "D" (см. рис. 2) до упора. Когда необходимая температура достигнута, поверните ручку термостата "D" (см. рис. 2) по часовой стрелке, чтобы установить нужную мощность нагрева.

Теперь обогреватель будет автоматически работать при заданной температуре.

Использование пульта дистанционного управления

Для использования дистанционного управления выключатель А (см. рис. 2) на панели управления должен находиться в положении "ON" (ВКЛ.) (1). На пульте ДУ имеются 3 кнопки. (См. рис. 7)

Для правильной работы пульт ДУ следует направлять на переднюю панель эффекта пламени. Имеются следующие функции ДУ:



Нажать один раз для включения только эффекта пламени. Операция подтверждается одиночным звуковым сигналом.



Нажать один раз для включения половинного нагрева и эффекта пламени. Операция подтверждается двумя звуковыми сигналами.

Нажать один раз для включения полного нагрева и эффекта пламени. Операция подтверждается тремя звуковыми сигналами.



Режим ожидания Операция подтверждается одиночным звуковым сигналом.

Информация об источниках питания.

1. Снять крышку на задней стороне пульта ДУ. (См. рис. 7)
2. Установить батарейки типа ААА в пульт.
3. Установить крышку на место.

Утилизация батарей с нарушенной герметичностью.

Утилизируйте батареи надлежащим образом в соответствии с государственными и региональными нормативными актами.

Установка батарей разного типа, неправильная установка, разрозненная замена батарей, их ликвидация путем сжигания в открытом огне, а также попытки зарядки батарей, не предназначенных для повторного использования, могут привести к утечке электролита.

Тепловые плавкие предохранители

Встроенный в прибор тепловой плавкий предохранитель предотвращает его повреждение вследствие перегрева. Это может произойти при ограничении отвода тепла или засорённости дымохода. Если сработал предохранитель, отсоедините прибор от розетки и включите снова примерно через 10 минут. Перед повторным включением прибора уберите все препятствия для отвода тепла, затем установите обычный режим работы.

Советы по использованию прибора.

1. Выдвигайте ящик только при необходимости долить воды в бак или заменить лампы, иначе возможно превышение уровня воды в поддоне и ослабление эффекта пламени. Если это произойдёт, слейте воду из поддона, как описано в главе "Техобслуживание".
2. При минимальной настройке пламени прибор использует примерно 40 мл воды на каждый час и работает в три раза дольше, чем при максимальном пламени.

- Нельзя наклонять и двигать камин, когда в баке или поддоне есть вода.
- Устанавливать камин только на ровном полу.
- Ручку регулировки пламени "С" рис. 2 можно поворачивать вверх или вниз, чтобы добиться реалистичного эффекта.
- Иногда пламя кажется более реалистичным, если ручка регулировки повернута вниз.
- Генератору пламени требуется некоторое время для реакции на изменения, выполненные ручкой регулировки пламени.

Техобслуживание

ВНИМАНИЕ: ПЕРЕД ВЫПОЛНЕНИЕМ ТЕХОБСЛУЖИВАНИЯ ВСЕГДА ОТКЛЮЧАЙТЕ ПРИБОР ОТ ИСТОЧНИКА ПИТАНИЯ

Установка и замена ламп.

Если появляется большое количество серого или бесцветного дыма, то вероятно поломка одной или нескольких ламп.

Неисправности ламп можно выявить следующим образом.

- Оставьте эффект пламени включённым, осторожно выдвиньте ящик за язычок до упора. (См. рис. 3)
- Рассмотрите лампы на расстоянии спереди камина, чтобы определить, какие необходимо заменить.
- Переведите выключатель "А" в положение "OFF" (Выкл.) и отсоедините камин от сети.
- Оставьте прибор на 20 минут, чтобы лампы остыли перед заменой.
- Приподнимите и снимите бак для воды, поставьте его в раковину.
- Снимите поддон, как описано в разделе "Чистка".
- Удалите неисправную лампу, осторожно подняв вертикально и отсоединив штырьки от патрона, (см. рис. 4 и 5). Замените на цветную лампу Dimplex Opti-myst, 12 В, 50 Вт, с цоколем G5.3, углом расхождения пучка 8°. (Приобретаются на сайте www.dimplex.co.uk в разделе "Послепродажное обслуживание", порядок приобретения ламп описан на сайте.)
- Осторожно вставьте два штырька новой лампы в два отверстия в патроне. Вдавите для плотной посадки. (См. рис. 4 и 5).
- Установите на место поддон и бак для воды и осторожно закройте ящик.
- Включите прибор.

Заполнение бака для воды.

Если бак для воды пустой, то эффекты пламени и дыма выключаются и раздаются 2 звуковых сигнала. Порядок доливания воды следующий:

- Нажмите выключатель "А" в положение (0) (см. рис. 2).
- Осторожно выдвиньте ящик за язычок насколько возможно. (См. рис. 3)
- Снимите бак для воды, приподняв и выдвинув наружу.
- Поставьте бак для воды в раковину и открутите пробку против часовой стрелки. (См. рис. 6)
- Заполняйте бак только **фильтрованной водопроводной водой**. Благодаря этому продлевается срок службы блока создания пламени и дыма. Воду следует фильтровать обычным бытовым фильтром для воды, регулярно заменять фильтр.
- Прикрутите пробку на место, **не затягивайте её слишком сильно**.
- Установите бак на поддон, при этом пробка бака должна быть обращена вниз, а плоская сторона бака - наружу.
- Осторожно задвиньте ящик назад до упора.
- Нажмите выключатель "А" в положение "ON" (Вкл.) (1) (см. рис. 2).
- Нажмите выключатель "В" один раз, чтобы включить эффект пламени. (См. раздел о ручном управлении, рис. 2)

Чистка.

ВНИМАНИЕ! ПЕРЕД ЧИСТКОЙ ВСЕГДА ОТКЛЮЧАЙТЕ ОБОГРЕВАТЕЛЬ ОТ ИСТОЧНИКА ПИТАНИЯ.

Рекомендуем очищать следующие компоненты каждые 2 недели, особенно в регионах с жесткой водой:

бак для воды, поддон и уплотнение, крышку поддона, пробку и уплотнение бака, воздушный фильтр.

Общая чистка выполняется мягкой, чистой тряпкой - никогда не используйте абразивные чистящие средства. Для удаления скопления пыли или пуха и очистки вытяжной воздухораспределительной решетки вентилятора прибора периодически используйте насадку пылесоса в форме мягкой щетки.

Бак для воды

- Снимите бак для воды, как было описано ранее, поставьте его в раковину и слейте воду.
- Прилагаемой щёткой аккуратно очистите внутренние поверхности пробки, уделяя особое внимание резиновому кольцу в наружной бороздке и центральному уплотнительному кольцу.
- Капните немного жидкости для мытья посуды в бак, закройте пробку и хорошо встряхните, затем полностью смойте моющую жидкость.
- Залейте обязательно фильтрованную воду, закройте пробку, не затягивайте слишком сильно.

Поддон

- Нажмите выключатель "А" в положение "OFF" (Выкл.) (0).
- Осторожно выдвиньте ящик за язычок насколько возможно. (См. рис. 3)
- Снимите бак для воды, приподняв его.
- Отсоедините электрический разъём, расположенный с левой стороны поддона, отвернув вначале два зажимных винта, и осторожно извлеките разъём. (См. рис. 8)
- Разомкните нижние фиксаторы поддона, повернув на 90°, после этого можно полностью снять поддон. (См. рис. 9)
- Осторожно приподнимите узел поддона, держа его ровно, чтобы не пролить воду. Поместите весь блок в раковину. (См. рис. 10)
- Разомкните два верхних фиксатора поддона, повернув на 90°, затем снимите крышку поддона. (См. рис. 11)
- Осторожно наклоните, как показано на иллюстрации, чтобы жидкость вытекла из поддона. (См. рис. 12)
- Капните немного жидкости для мытья посуды в поддон и прилагаемой щёткой аккуратно очистите все поверхности, в т. ч. металлические диски и резиновое уплотнение на верхней стороне с канавкой. **Не удаляйте резиновые уплотнения.** (См. рис. 13 и 14)
- После чистки тщательно промойте поддон чистой водой.
- Очистите наружную поверхность крышки поддона щёткой и тщательно промойте водой. (См. рис. 15 и 16)
- Сборка производится в обратном порядке.

Воздушный фильтр.

- Нажмите выключатель "А" в положение "OFF" (Выкл.) (0) (см. рис. 2).
- Осторожно выдвиньте ящик за язычок насколько возможно. (См. рис. 3)
- Снимите бак и поместите в раковину пробкой вверх.
- Осторожно отодвиньте вверх пластиковый держатель фильтра. (См. рис. 17)
- Выньте комбинацию фильтров из держателя.
- Осторожно промойте водой в раковине и вытрите полотенцем.
- Выньте комбинацию фильтров из держателя. (См. рис. 18)
- Установите бак на место.
- Полностью закройте ящик.
- Нажмите выключатель "А" в положение "ON" (1) (см. рис. 2).

Утилизация.



Для электрических изделий, продаваемых в пределах Европейского сообщества.

По истечении срока эксплуатации электроприборы не следует утилизировать вместе с бытовыми отходами. Утилизация должна осуществляться в специально оборудованных местах. Для получения информации о правилах утилизации в своей стране обратитесь в местные органы власти или к розничному продавцу.

Послепродажное обслуживание.

На изделие предоставляется гарантия два года с даты покупки. В течение этого времени мы обязуемся бесплатно выполнять ремонт или замену изделия (кроме ламп и с учетом доступности) при условии, что установка и эксплуатация изделия выполнялась в соответствии с данными инструкциями. За помощью в получении послепродажного обслуживания или приобретения запасных деталей, обращайтесь к розничному продавцу, у которого было приобретено данное устройство, или позвоните в центр обслуживания клиентов, расположенный в Вашем регионе, по номеру, указанному на гарантийном талоне. Не возвращайте нам неисправное изделие при первом же сбое в его работе, поскольку это может привести к необоснованным издержкам, ущербу или задержке в предоставлении надлежащего уровня обслуживания. Сохраните чек, который подтверждает факт покупки прибора.

Устранение неисправностей		
Признак	Причина	Способ устранения
Эффект пламени не включается.	Сетевой штепсель не подсоединён. Выключатель А находится в положении "ON" (Вкл.) (1), но переключатель режимов В не нажат. (См. рис. 2) Низкий уровень воды. Низковольтный коннектор неправильно подсоединён. (См. рис. 8)	Убедитесь, что вилка вставлена в розетку. Нажмите на выключатель В один раз для выбора эффекта пламени. (См. рис. 2) Убедитесь в том, что бак полный и в поддоне есть вода. Убедитесь, что разъём правильно подсоединён. (См. рис. 8)
Эффект пламени слишком слабый.	Регулятором выбран слишком слабый эффект пламени. (См. рис. 2) Уровень воды в поддоне может быть слишком высоким из-за того, что ящик открывался и закрывался слишком часто, бак для воды снимался слишком часто или камин передвигался. Может быть загрязнён металлический диск на основании поддона (см. рис. 13).	Увеличьте уровень пламени, медленно вращая регулятора С по часовой стрелке. (См. рис. 2) Если уровень воды в поддоне выше 40 мм, следует вынуть и слить воду из поддона. Очистить металлический диск прилагаемой мягкой щёткой. (См. рис. 13) Пошаговую инструкцию см. в разделе "Техобслуживание".
Неприятный запах при использовании прибора.	Грязная или старая вода. Использование нефилтрованной воды.	Очистите прибор, как описано в разделе "Техобслуживание". Используйте только фильтрованную водопроводную воду.
Эффект пламени даёт слишком много дыма.	Установлен слишком сильный эффект пламени.	Поверните регулятор пламени С против часовой стрелки до минимума и затем медленно вращайте по часовой стрелке, примерно на ¼ за оборот. Перед увеличением следует выждать некоторое время, чтобы генератор пламени адаптировался. (См. рис. 2)
Основные лампы не горят, нет пламени или дыма.	В баке нет воды.	Следуйте указаниям, приведённым в разделе "Техобслуживание", "Заполнение бака для воды". Убедитесь, что вилка правильно подсоединена к розетке. Выключатель "А" рис. 2 находится в положении "ON" (1). Нажмите выключатель "В" рис. 2 только один раз (чтобы прозвучал один звуковой сигнал) для включения эффекта пламени.

Opti-myst is a trade mark of GDC Group Ltd.

This product is protected by one or more of the following patents: PCT/ EP2005/009774, PCT/ EP2007/002207, GB0717773.6, GB0717772.8, GB0717770.2, GB0809322.1The design of this product is protected by EU Design Rights

Opti-myst является торговой маркой компании GDC Group Ltd.

Данное изделие защищено одним или несколькими следующими патентами: PCT/ EP2005/009774, PCT/ EP2007/002207, GB0717773.6, GB0717772.8, GB0717770.2, GB0809322.1. Дизайн данного изделия защищён EU Design Rights

[c]GDC Group Ltd.

All rights reserved. Material contained in this publication may not be reproduced in whole or in part, without prior permission in writing of GDC Group Ltd.