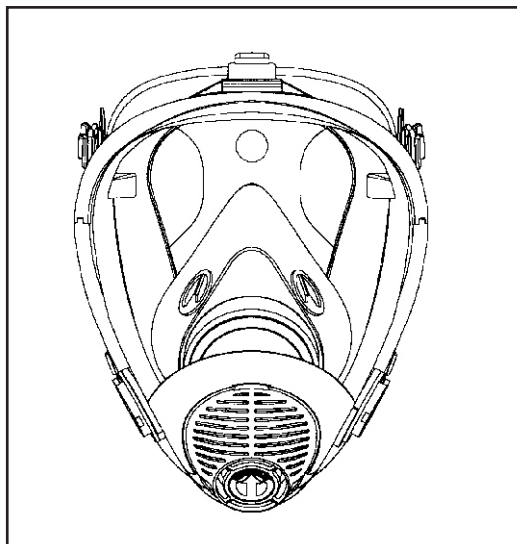


SPERIAN
SURVIVAIR Opti-Fit™
S-Series
Full Facepiece Air Purifying Respirator
Operation and Maintenance Manual



WARNING

DO NOT USE this respirator until you completely read and understand this instruction manual. You are required to inspect the respirator prior to putting it into field service. Please refer to the inspection procedures in this manual. Failure to comply with this warning may result in personal injury, illness, or death.

NIOSH APPROVED—SEE SEPARATE APPROVAL LABEL

**AN ISO 9001
REGISTERED
COMPANY**

SPERIAN

SPERIAN Respiratory Protection USA, LLC
3001 South Susan St., Santa Ana, CA 92704
Toll-Free 888.APR.SCBA or 714.545.0410
Fax 714.850.0299
www.sperianprotection.com

©Copyright July 2008 All Rights Reserved
SPERIAN Respiratory Protection USA, LLC
P/N 622094 Rev. G 03/09

Table of Contents

NIOSH CAUTIONS AND LIMITATIONS	3
I. INTRODUCTION	3
II. SAFETY PRECAUTIONS	3
III. DESCRIPTION	4
IV. PARTS LIST	7
V. HOW TO INSTALL CHEMICAL CARTRIDGES AND PARTICULATE FILTERS	11
A. Mercury Vapor Cartridges	11
B. Particulate Filters	11
C. Cartridge/Filter Installation	12
VI. HOW TO DON THE RESPIRATOR	12
VII. HOW TO FIT CHECK THE RESPIRATOR	13
A. Positive Pressure Fit Check	13
B. Negative Pressure Fit Check	13
VIII. HOW TO USE THE RESPIRATOR	14
IX. HOW TO DOFF THE RESPIRATOR	14
X. CHEMICAL CARTRIDGE SERVICE LIFE AND REPLACEMENT	14
XI. PARTICULATE FILTER SERVICE LIFE AND REPLACEMENT	14
XII. MAINTENANCE	15
A. Inspection	15
B. Cleaning	15
XIII. INSPECTION	16
XIV. REPAIR	17
XV. STORAGE	17
XVI. SHIPMENT	17
XVII. OVERHAUL FREQUENCY	17
XVIII. ADDITIONAL INFORMATION	18
XIX. WARRANTY AND LIMITATION OF LIABILITY	18
XX. INSPECTION TABLE	19
XXI. REPAIR TABLE	20

NIOSH APPROVAL CAUTIONS AND LIMITATIONS

- A - Not for use in atmospheres containing less than 19.5 percent oxygen.
- B - Not for use in atmospheres immediately dangerous to life or health.
- C - Do not exceed maximum use concentrations established by regulatory standards.
- H - Follow established cartridge and canister change schedules or observe ESLI to ensure that cartridges and canisters are replaced before breakthrough occurs.
- J - Failure to properly use and maintain this product could result in injury or death.
- L - Follow the User's Instructions for changing cartridges, canisters and/or filters.
- M - All approved respirators shall be selected, fitted, used, and maintained in accordance with MSHA, OSHA, and other applicable regulations.
- N - Never substitute, modify, add, or omit parts. Use only exact replacement parts in the configuration as specified by the manufacturer.
- O - Refer to Users Instructions, and/or maintenance manuals for information on use and maintenance of these respirators.
- P - NIOSH does not evaluate respirators for use as surgical masks.
- S - Special or critical User's Instructions and/or specific use limitations apply. Refer to User's Instructions before donning.

I. INTRODUCTION

This manual provides instructions for the use and maintenance of the Sperian Respiratory Protection's SURVIVAIR® Opti-Fit™ full facepiece air purifying respirator. This manual is applicable to Opti-Fit Models 7520, 7620, 7720, 7521, 7621, 7721, which have threaded cartridge/filter connectors, and Models 7570, 7670, and 7770, which have bayonet cartridge/filter connectors. ***You must read and understand this manual and be trained in the proper use of the respirator before wearing it in a contaminated atmosphere.***

II. SAFETY PRECAUTIONS

The Warnings, Cautions, and Notes contained in this manual have the following significance.



WARNING

Maintenance or operating procedures and techniques that may result in personal injury, illness, or death if not carefully followed.

CAUTION

Maintenance or operating procedures and techniques that may result in damage to equipment and/or minor to moderate personal injury if not carefully followed.

NOTE

Maintenance or operating procedures and techniques or information considered important enough to emphasize.

III. DESCRIPTION

The SURVIVAIR Opti-Fit air purifying respirator consists of a full facepiece made of pliable silicone rubber with two connectors for attaching particulate filters, gas and vapor cartridges, and cartridge/filter combinations as required for specific contaminant protection.



WARNING

- *The employer is responsible for establishing that this respirator is suitable for the user's application.*
- *Sperian cannot predict what will happen to this respirator in every potential environment. Materials can be chemically attacked if exposed to the wrong environment and may exhibit excessive corrosion or other forms of damage. Permeation or penetration of gases, liquids, or particles through the materials could be excessive. Extremes of temperature might cause thermal degradation. Each of these things, or a combination of them, could create conditions in which this Sperian respirator would be dangerous to use.*
- *Before entering a hazardous environment while wearing this respirator, you must conduct safe, scientific tests to determine if the environment could render the equipment unsafe. Results of this testing should be well documented. Seek the help of a certified safety professional or industrial hygienist. DO NOT USE this equipment if the user would be endangered in any way through environmentally induced degradation of the materials in the apparatus.*
- *All persons using this Sperian breathing apparatus must be made aware of its limitations. We cannot be responsible for any damage to property, personal injury, or death in which environmental exposure is a contributing factor.*
- *Do not use this respirator in environments where the concentrations of contaminants are unknown or are immediately dangerous to life or health (IDLH). IDLH atmospheres are defined as:*
 - a. *Those which the wearer could not breathe for short periods.*
 - b. *Those from which the wearer could not escape without the aid of the respirator.*
 - c. *Those which have an immediate or delayed adverse effect on health.*
- *This respirator must be worn and used as specified in instructions.*
- *Do not use this respirator if you have health or respiratory problems as identified by 29 CFR 1910.134 (appendix C) medical evaluation questionnaire or by a medical professional.*
- *Do not use this respirator without the appropriate Sperian cartridges and/or filters securely attached onto the facepiece. Always read cartridge labels prior to use and be certain that you have cartridges and/or filters that will provide the required protection. This respirator must be used for protection against only those air contaminants listed on the air purifying cartridge, filter, and/or the NIOSH approval label. Respirators labeled for protection against particulates only shall not be used for gases/vapors. Respirators labeled for protection against gases/vapors only shall not be used for particulates.*

**WARNING—Continued**

- ***Do not use this respirator at ambient temperatures above 130°F (55°C).***
- ***Do not use this respirator where environmental conditions could cause the respirator facepiece to be dislodged or slip.***
- ***Immediately return to a non-contaminated area if:***
 - a. ***You taste or smell contaminants, or if your eyes, nose, or throat become irritated.***
 - b. ***Breathing becomes difficult.***
 - c. ***The air you are breathing becomes uncomfortably warm.***
 - d. ***You feel nauseous or dizzy.***
 - e. ***The facepiece moves, slips, or leaks.***
- ***This respirator does not protect exposed areas of the body. Some contaminants can be absorbed directly through the skin while others may irritate exposed areas.***
- ***This respirator does not provide protection from hazardous rays or harmful noise. Always wear proper head and ear protection.***
- ***This respirator does not supply oxygen and must not be used in atmospheres containing less than 19.5% oxygen by volume.***
- ***This respirator must not be used underwater, for fumigation, interior structural fire fighting, abrasive blasting operations, or in areas where high heat, sparks, or flames could contact the respirator.***
- ***This respirator must be used in conjunction with a written respirator program meeting the requirements of the OSHA Standard for Respiratory Protection, 29 CFR 1910.134, available from the U.S. Department of Labor, Occupational Safety and Health Administration. The program must include procedures for evaluating air contaminants and selecting appropriate respirators; procedures for proper use of respirators; procedures for testing the facepiece-to-face fit of respirators; procedures for cleaning, disinfecting, inspecting, maintaining, and storing respirators; procedures for determining if workers are physically and medically capable of wearing respirators; and procedures for training employees in the use and care of respirators and in recognizing hazards associated with contaminants in the work place.***
- ***Do not wear this respirator if a satisfactory facepiece-to-face fit, as determined by a qualitative or quantitative fit test, cannot be obtained. See ANSI Z88.2, latest issue, and OSHA 29 CFR 1910.134, latest edition. Beards, stubble, or sideburns will prevent a good facepiece seal, and facial hair may interfere with valve function. Do not use this respirator unless you are clean shaven. Absence of one or both dentures can seriously affect the fit of the respirator.***
- ***This respirator will reduce, but will not eliminate the inhalation of contaminants. Some sensitive individuals may experience health problems when exposed to even minute amounts of contaminants. This respirator will not prevent health problems for those individuals. Where suspected cancer-causing contaminants are present, positive-pressure supplied-air respirators will provide higher protection levels.***
- ***Persons sensitized can have a severe reaction to chemicals at levels well below accepted health levels such as the OSHA Permissible Exposure Limit (PEL), ACGIH® Threshold Limit Value (TLV), or NIOSH Recommended Exposure Limits (REL). Isocyanates are potent***



WARNING—Continued

- sensitizers. Use positive pressure supplied air respirators to provide better protection from these chemicals. Do not use this respirator if you have been sensitized from previous exposure or believe that you may be sensitive or allergic to any chemical (e.g., isocyanates, latex, etc.) until you obtain clearance from a medical doctor.
- Use of components other than those listed on the NIOSH approval label and in this manual, or as authorized by Sperian, or modification of this respirator in any manner will void the NIOSH certification and invalidates all Sperian's warranties for the respirator.
 - Always read and follow the instructions listed in the Material Safety Data Sheet for the chemicals that are present in the work area.
 - Do not use if you have a preexisting skin condition (for example, folliculitis or vitiligo) until you obtain clearance from a medical doctor.
 - This respirator must be worn and used as specified in Sperian's instructions. No respirator can provide complete protection from all conditions. Use extreme care for emergency conditions.
 - Some individuals are sensitive to chemicals (e.g., isocyanates, latex, oil mists, etc.) or may have some type of respiratory disorder (e.g. asthma, chronic obstructive airway disease, etc.). If you are sensitive to any chemical or have a respiratory disorder, you may have a severe reaction at contaminant levels well below accepted health levels, such as the OSHA Permissible Exposure Limit (PEL), ACGIH® Threshold Limit Value (TLV), or the NIOSH Recommended Exposure Limits (REL). Many chemicals (e.g., isocyanates, mercury, etc.) have no physical warning properties and you cannot taste or smell the contaminants even though they may be present in the respirator facepiece. This respirator will reduce, but will not eliminate the possibility of contaminants entering the facepiece and causing a severe reaction. Do not use this respirator until you obtain clearance from a medical doctor.
 - Do not alter or modify any respiratory product.
 - If this respirator will be used during welding, it is the user's responsibility to obtain the proper equipment for protection against sparks, optical radiation, and impact. This respirator will not protect you against these hazards.
 - Users must clean and maintain this respirator only in accordance with Sperian's instructions. Accessories not offered by Sperian may degrade performance, and will void NIOSH certification.
 - The respirator facepiece assembly contains natural rubber latex which may cause allergic reactions in some individuals. Discontinue use if you experience an allergic reaction.
 - Discontinue use if you experience skin irritation or discoloration.
 - This product may provide less than adequate protection if improperly used, which may result in personal injury, illness, or death.
 - For use by trained, qualified personnel only.
 - Routinely used respirators must be inspected before and after each use. Stored emergency respirators must be inspected after each use and at least once every 30 days. A written record must be kept of inspections of emergency respirators.
 - **FAILURE TO OBSERVE ALL WARNINGS MAY RESULT IN PERSONAL INJURY, ILLNESS, OR DEATH.**

IV. PARTS LIST (See Figure 1)

ITEM	QTY	P/N	DESCRIPTION
1a	1	702009	Headstrap, TPE
1b	1	702089	Headnet, Mesh, Opti-Fit
2	1	962157	Small Skirt, Silicone
	1	962167	Medium Skirt, Silicone
	1	962177	Large Skirt, Silicone
3	1	702007	Lens
4	1	962031	Upper Rim
5	1	962037	Lower Rim
6	2	839102	Screw
7	Pkg. of 6	B140001	Inhalation Valve
8a	Pkg. of 2	702036	Connector, Bayonet (Incl. 2 Twin Seals)
8b	Pkg. of 2	702035	Connector, Threaded (Incl. 2 Twin Seals)
9	Pkg. of 10	702037	Twin Seal
10	Pkg. of 4	B140005	Exhalation Valve
11	1	820261	O-ring
12	1	702003	Nozzle
13	1	702004	Cover
14	2	962090	Valve Holder
15	1	702023	Nose Cup
16	2	702016	Short Buckle Strap, TPE
17	3	702012	Long Buckle Strap, TPE
18	5	702011	Buckle
19	5	702008	Ring
20	Pkg. of 2	780074	Filter Holder, 7000 Series
21	Pkg. of 2	B140074	Filter Holder, S-Series
22	1	780079	Filter Retainer, 7000 Series
23	1	140079	Filter Retainer, Threaded
24	1	910452	Chistolube Lubricant
25	S-Series Cartridges—See Tables 1		
26	S-Series Filters—See Tables 2		
27	7000 Series Cartridges—See Table 2		
28	7000 Series Filters—See Table 2		
29	1	54140217	Strap, Mesh, Harness

Note: Quantities in parentheses are for headnet configuration only.

Optional Accessories

		702019	Peel-away Lens Cover, Tinted (25)
		702028	Peel-away Lens Cover, Clear (25)
		962260	Spectacles Kit
		951015	1 oz. Lens Anti-Fog Solution
		951016	16 oz. Lens Anti-Fog Solution
		981803	Wipe, Anti-Fog (Box of 100)
		702031	Neckstrap Kit
		702030	Headstrap Kit, Black Silicone

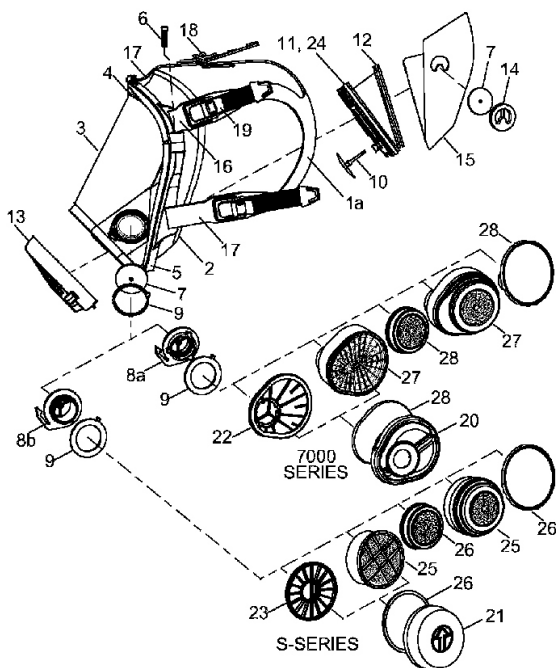


Figure 1. Opti-Fit APR with Headstrap (S-Series Version)

NOTE

Use only components with the part numbers listed on the NIOSH approval label. Use of any other components will void the approval.

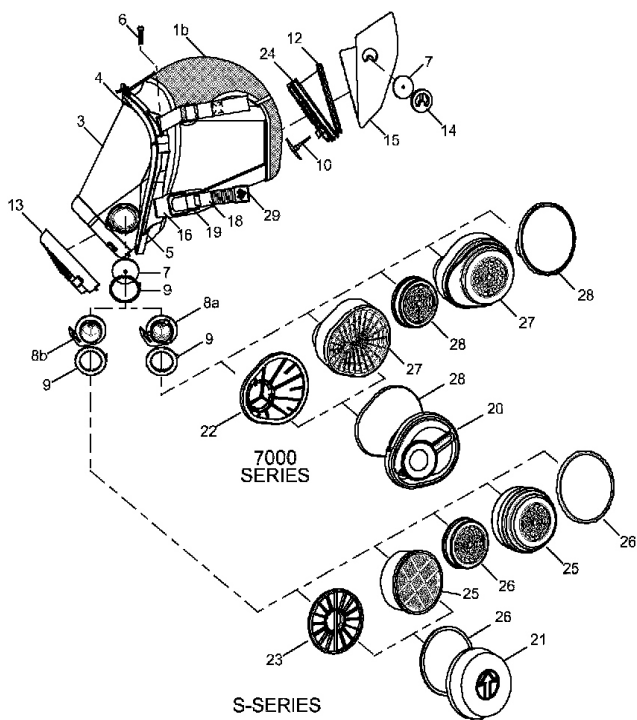


Figure 2. Opti-Fit APR with Headnet

**Table 1. Cartridges and Filters (Threaded Style)
(See NIOSH Approval Label for Specific Contaminants)**

MODEL	FILTERS
1050	P100
1060	Filter Pad, N95
1070	Filter Pad, N99/R95
1190	P100 Slimline
1195	P100 Disk
MODEL	CARTRIDGES
100100	Organic Vapors
100200	Acid Gases
100300	Organic Vapors and Acid Gases
100400	Ammonia and Methylamine
100600	Mercury Vapor and Chlorine
100800	Multi-contaminant

1051	Combination Organic Vapors and P100
1052	Combination Acid Gases and P100
1053	Combination Organic Vapors, Acid Gases, and P100
1054	Combination Ammonia, Methylamine, and P100
1056	Combination Mercury Vapor, Chlorine, and P100
1058	Combination Multi-contaminant and P100

**Table 2. Cartridges and Filters (Bayonet Style)
(See NIOSH Approval Label for Specific Contaminants)**

MODEL	FILTERS
7860	Filter Pad, N95
7870	Filter Pad, N99/R95
7850	P100
7890	P100 Slimline
MODEL	CARTRIDGES
7801	Organic Vapors
7802	Acid Gases
7803	Organic Vapors and Acid Gases
7804	Ammonia and Methylamine
7808	Multi-contaminant
7851	Combination Organic Vapors and P100
7852	Combination Acid Gases and P100
7853	Combination Organic Vapors, Acid Gases, and P100
7854	Combination Ammonia, Methylamine, and P100
7858	Combination Multi-contaminant and P100



WARNING

Following is a partial list of materials for which these respirators MUST NOT be used. This list is far from complete. Contact Sperian for information on other materials. The failure to comply with this warning may lead to personal injury, illness, or death.

Acroline	Carbonyls	Hydrogen Selenide	Ozone
Aniline	Cyanogen	Methanol	Phosgene
Arsine	Dimethylaniline		Phosphine
Boron Hydrides	Dimethyl Sulfate	Methylene Chloride, Methyl Bromide, Methyl Chloride	Phosphorous Trichloride
Bromine	Ethyl Cyanide	Nitro Compounds: Nitrogen Ox- idesNitroglycerin- NitrobenzeneNi- tromethane	Stibine
Carbon Dioxide	Fluorine		Sulfur Chloride
Carbon Monoxide	Hydrogen Cyanide		Vinyl Chloride

V. HOW TO INSTALL CHEMICAL CARTRIDGES AND PARTICULATE FILTERS

A. Mercury Vapor Cartridges

Special or Critical User's Instructions: The mercury vapor cartridges incorporate passive end-of-service-life indicators (ESLIs). Each ESLI, yellow in color when new, turns to gray when exposed to mercury vapor. Do not use these cartridges unless you can distinguish between the safe and discard colors of the ESLI. The indicators must be visible when wearing the respirator without having to manipulate either the facepiece or the indicator. If the indicator cannot be seen, do not wear the respirator. The cartridges must be replaced when the ESLIs change color from yellow to gray, when the ESLIs become dirty or damaged, after 30 days of use, or if removed from their original packaging and not used within 30 days. Never enter or remain in a hazardous atmosphere if one or more of the ESLIs is gray.

B. Particulate Filters

Before using a particulate filter, you must confirm the atmosphere is non-IDLH and not oxygen deficient, the contaminant is a particulate hazard, and you must determine the hazard ratio (hazard concentration/exposure limit). If the hazard ratio is less than 10, you may use a half mask respirator with a filter efficiency of 95% or higher. If the hazard ratio is less than 20, you may use a full facepiece respirator with a filter efficiency of 95% or higher. If the hazard ratio is less than 100, you may use a full facepiece respirator with a filter efficiency of 99% or higher. If the hazard ratio is greater than 100, you must use another type of respirator. N-series filters must only be used for non-oil containing aerosols or particulates. R or P-series filters can be used if the atmosphere contains oil (e.g., lubricants, cutting fluids, glycerin, etc.). An R-series filter used in an oil containing atmosphere must be replaced after each 8-hour work shift. A P-series filter can be used for more than one 8-hour work shift. Please refer to section XI, Particulate Filter Service Life, for important additional information.

Refer to *NIOSH Guide to the Selection and Use of Particulate Respirators Certified Under 42CFR84* for additional guidelines on use limitations for filters.



WARNING

Filters improperly used or improperly assembled to the facepiece could cause leakage, which could lead to personal injury, illness, or death.

C. Cartridge/Filter Installation

1. Ensure that you have the correct cartridge and/or filter type for the contaminants in your work area. If you are not sure, consult your supervisor or safety professional.
2. Install bayonet style cartridges or P100 filters by matching the alignment marks located on the cartridge or filter with the small lug or connector locking hook on the bayonet connector. Press the cartridge or filter into the facepiece and turn clockwise until it stops. Install threaded style cartridges or P100 filters by threading them onto the facepiece connectors and hand-tightening. Do not overtighten.
3. If using filter pads, insert the appropriate pad into the filter retainer so that the side stamped with the model number will face toward the facepiece when installed. Completely snap the filter retainers onto the cartridges or filter holders.
4. Inspect the filter through the retainer to ensure that the entire edge of the filter is making contact with the retainer and the filter is not bunched or folded. The outer edge of the pad must be compressed between the top edge of the cartridge or filter holder and the inner sealing rings of the retainer. Install filter holders in the same manner as cartridges.

VI. HOW TO DON THE RESPIRATOR



WARNING

Always read cartridge labels prior to use to be certain that you have cartridges and/or filters that will provide the required protection. Filters labeled for protection against particulates only shall not be used for gases/vapors, and cartridges labeled for protection against gases/vapors only shall not be used for particulates. Both cartridges/filters must be of the same type. The failure to comply with this warning may lead to personal injury, illness, or death.

OPTI-FIT FACEPIECE WITH HEADSTRAP

1. Inspect the respirator as described in section XIII.
2. Adjust the top facepiece straps until one inch of strap extends through each buckle. Fully loosen the lower straps.
3. Place your chin against the chin cup and center the facepiece on your face.
4. Hold the facepiece against your face, and pull the straps over your head.
5. Tighten the two lower straps, the temple straps, then the top strap, until a good seal is obtained and all the headstraps lie flat on your head. Do not overtighten the straps.

NOTE

When properly adjusted, the headstrap hub should be centered on the back of your head, and the lower straps should be below your ears.

OPTI-FIT FACEPIECE WITH HEADNET

1. Inspect the respirator as described in Section XII.
2. Fully loosen all straps.
3. Place your chin against the chin cup and center the facepiece on your face.
4. Hold the facepiece against your face, and pull the headnet over your head.
5. Tighten the two lower straps and the temple straps until a good seal is obtained and all the headstraps lie flat on your head. Flatten the headnet with a wiping motion toward the back of your head. Retighten the adjustment straps. Do not overtighten the straps.

NOTE

When properly adjusted, the lower straps should be below your ears.

VII. HOW TO FIT CHECK THE RESPIRATOR

You must perform the following fit check each time the respirator is worn or before entering the contaminated area.



WARNING

If a leak-tight seal is not obtained during the following fit check, do not wear the respirator. Ask your supervisor or safety professional for assistance. The failure to comply with this warning may lead to personal injury, illness, or death.


You must perform the following fit check each time the respirator is worn or before entering a contaminated area.

A. Positive Pressure Fit Check: Hold the palm of your hand gently over the exhalation valve outlet of the nozzle cover. Do not distort the natural shape of the facepiece. Exhale gently and hold your breath to create and maintain a slight positive pressure inside the facepiece. If air leakage occurs, readjust the facepiece and headstraps, then retest.

B. Negative Pressure Fit Check: Cover the inlet of the cartridges and/or filters with the palms of your hands or another suitable item, such as a thin sheet of plastic or rubber. When the respirator is equipped with cartridges, filter retainers may be used as an aid. Alternatively, the cartridges may be removed to perform the fit check. If removed, Sperian recommends someone other than yourself reinstall them after a leak-tight fit is achieved. It is difficult for the wearer to reinstall the cartridges without disturbing the facepiece-to-face seal and to determine whether the cartridges are correctly seated against the facepiece. It is your responsibility to ensure that the facepiece-to-face seal is not disturbed when reinstalling the cartridges and that each cartridge is sealed against the facepiece. Inhale gently and hold your breath to slightly collapse the facepiece. If air leakage occurs, readjust the facepiece and headstraps, then retest. If filter retainers are used, do not remove them after the fit check is completed. Removing the filter retainers may shift the facepiece and break the facepiece-to-face seal.

VIII. HOW TO USE THE RESPIRATOR

To receive the maximum protection available from your respirator, you must read, understand, and follow all the Warnings, limitations, and instructions contained in this manual and follow your employer's instructions on the use and maintenance of the respirator. Read and understand the following warnings prior to using the respirator.

 WARNING
<ul style="list-style-type: none">• <i>Never remove the respirator for any reason while you are in the work area.</i>• <i>You must leave the work area immediately if the facepiece-to-face seal is disturbed for any reason, such as:</i><ul style="list-style-type: none"><i>a. Slipping due to excessive sweating or excessive head movement.</i><i>b. The facepiece becomes dislodged as a result of being knocked.</i><i>c. You sneeze or cough while wearing the facepiece.</i><i>d. You need to blow your nose, scratch covered areas of your face, or need to adjust your spectacles kit.</i><i>e. For any other reason that would cause the facepiece seal to be disturbed.</i>• <i>You must restore the facepiece-to-face seal and perform a fit check in a non-hazardous environment before reentering the work area.</i>• <i>The failure to comply with this warning may lead to personal injury, illness, or death.</i>

IX. HOW TO DOFF THE RESPIRATOR

- A. Loosen the two lower headstraps completely.
- B. Grasp the nozzle firmly, and pull the facepiece upward over the head.

X. CHEMICAL CARTRIDGE SERVICE LIFE AND REPLACEMENT


The cartridge service life depends on the user's breathing rate, the characteristics of the contaminant, and environmental conditions such as temperature and humidity. Saturated cartridges leak trace amounts of contaminant to the wearer, which may be detected by odor, taste, and/or irritation. Replace cartridges daily, at the first trace of the characteristic contaminant odor or taste, at regularly scheduled intervals recommended by your safety professional, or if they show any signs of damage. Always replace cartridges in pairs. Replace cartridges as follows:

- A. Return to fresh air.
- B. Remove cartridges by turning counterclockwise. Dispose of used cartridges in accordance with Federal, state, and local guidelines.
- C. Install new cartridges, taken only from sealed packages, as described in section V.C.
- D. Perform a fit check as described in section VII.

XI. PARTICULATE FILTER SERVICE LIFE AND REPLACEMENT

The filter service life depends on the filter series type used, the user's breathing rate, the characteristics of the contaminant, and environmental conditions such as humidity. All N and R-series filters should be replaced whenever they are damaged, soiled, contaminated with water, or causing increased breathing resistance. In addition, when an R-series filter is used in an oil containing atmosphere, the filter must be replaced after each 8-hour work shift. **All P-series filters must be**

replaced whenever they are damaged, soiled, contaminated with water, or as soon as they are too difficult to breathe through. Sperian recommends, due to considerations of hygiene, that all filters be replaced at least daily, and more often if necessary. Filters should also be replaced in accordance with schedules established by regulatory agencies.

	WARNING
Failure to properly assemble filter pads to cartridges or filter holders can cause leakage, which could lead to personal injury, illness, or death.	

Replace filters as follows:

- A. Return to fresh air.
- B. If using P100 filters, remove by turning them counterclockwise. Dispose of used filters in accordance with Federal, state, and local guidelines.
- C. If using filter pads, remove the filter retainers from the cartridges or filter holders. Remove the used filter pads and dispose of them in accordance with Federal, state, and local guidelines. Clean the filter retainer and cartridge or holder if necessary.
- D. Install new P100 filters or filter pads (taken only from sealed packages) as described in section V.C.
- E. Perform a facepiece fit check as described in section VII.


XII. MAINTENANCE

A. Inspection

Inspect this respirator as described in section XIII for defects before and after each use, and at least monthly if not used. Repair as necessary, clean and disinfect after each use, and store properly to assure that the respirator is maintained in satisfactory working condition. Keep a record of inspection and repair dates and results.

B. Cleaning

Respirators should be cleaned after each day's use by washing with mild soap and warm water. Then disinfect the respirators with a suitable sanitizing solution. OSHA 1910.134, latest edition, and ANSI Z88.2, latest edition, also provide information and guidelines on the cleaning and sanitizing of respirators.

	WARNING
<ul style="list-style-type: none">• <i>Specialized processes are required to disinfect and decontaminate a respirator. You must follow the instructions of the manufacturer of the equipment and chemicals.</i>• <i>It is the user's responsibility to ensure that the processes chosen provide adequate cleaning, disinfection, and decontamination, and do not damage the respirator in any way.</i>• <i>In the absence of a commercial sanitizing product, the hypochlorite solution described below will eliminate many, but not all biohazards.</i>• <i>The failure to comply with this warning may lead to personal injury, illness, or death.</i>	

CAUTION

Do not use solvent type cleaners to clean any part of the respirator.

NOTE

Silicone and rubber parts of the facepiece may be cleaned between washings with SPERIAN Mask Wipes, P/N 140096 or 140082.

1. Make a cleaning solution of warm water and a mild detergent.
2. Remove the cartridges/filters from the facepiece.
3. Immerse the facepiece top first in the solution until the exhalation valve is covered.
4. Agitate the facepiece and gently clean with a soft brush.
5. Thoroughly rinse the facepiece in fresh water, paying particular attention to removal of all soap residue from the exhalation valve. If possible, direct running water onto the exhalation valve.
6. Disinfect the facepiece in a warm (120°F or 48°C maximum) suitable sanitizing solution such as a 'hypochlorite solution" for 2 to 3 minutes. A 50 ppm hypochlorite solution can be made by mixing 0.13 ounce of laundry bleach per each gallon of water. Rinse thoroughly with fresh warm (120°F or 48°C maximum) water.
7. Allow the facepiece to drip dry, or dry with a lint-free cloth. Warm air may be used to speed up drying.

NOTE

Washing the lens will remove any user-applied anti-fog coating. Recoat with Sperian Anti-fog solution, P/N 951015 (1 oz.), or 951016 (16 oz.), or use Sperian single-use anti-fog wipes, P/N 981803.

8. After cleaning, apply three drops of anti-fog solution as required to the inner surface of the lens and spread with your finger. Buff with a lint-free cloth. If using an anti-fog wipe, follow the instructions on the wipe packet.
9. Hold the facepiece firmly against your face and exhale several times to ensure that the exhalation valve functions smoothly.
10. Carefully inspect the respirator as described in section XIII. Reinstall the cartridges and/or filters before use.

XIII. INSPECTION (See the Inspection Table)

Inspect the respirator before and after each use as described in the inspection table and replace any damaged component. See section XIV for repair instructions.



WARNING

- ***Do not use the respirator with damaged or improperly operating valves.***
- ***Ensure that the twin seal is in the o-ring groove between the lens and connector. Ensure that the part number tab on the o-ring is visible and in the notch provided on the lens. Ensure that the nozzle o-ring is on the nozzle and the nozzle is snapped into the lens.***



WARNING

- *The failure to comply with this warning may lead to personal injury, illness, or death.*

XIV. REPAIR (See the Repair Table)

Repair by the user is limited to replacement of components listed in this manual and as listed on the NIOSH approval label. Disassembly should be performed only to the extent necessary to replace the components. To protect your warranty and the NIOSH certification of the equipment, all other repairs must be done only by authorized SPERIAN technicians and repair centers. Consult your SPERIAN distributor for the one nearest you. You must perform a fit check as described in section VII after any repair and before respirator use.

XV. STORAGE

After inspection and cleaning, store your SURVIVAIR Opti-Fit facepiece to protect it against dust, sunlight, extreme heat and cold, excessive moisture, or damaging chemicals.



WARNING

- *This SPERIAN respirator does not have a defined storage life. Carefully inspect it before each use.*
- *The failure to comply with this warning may lead to personal injury, illness, or death.*

CAUTION

The maximum storage temperature for this device is 140°F (60°C). Long term exposure to elevated storage temperatures could cause premature deterioration.

XVI. SHIPMENT

All products returned to SPERIAN's factory, distributors, or repair centers must be decontaminated prior to shipment.

XVII. OVERHAUL FREQUENCY

This SPERIAN'S respirator does not have an overhaul requirement other than that required in section XII, Maintenance.

XVIII. ADDITIONAL INFORMATION

If you need assistance or additional information on any SPERIAN product, consult your local distributor or contact:

SPERIAN
3001 S. Susan Street
Santa Ana, CA 92704
U.S.A.
(714) 545-0410 or toll free 888-APR-SCBA
(FAX) (714) 850-0299

ALL RETURNED PRODUCTS MUST BE DECONTAMINATED PRIOR TO SHIPMENT. PRODUCTS CONTAMINATED WITH DANGEROUS SUBSTANCES WILL BE REFUSED AND RETURNED FREIGHT COLLECT.

XIX. WARRANTY AND LIMITATION OF LIABILITY

LIMITED WARRANTY: SPERIAN warrants this product to be free from defects in materials and workmanship for 5 years (for the skirt) and 1 year (for all other components) from the date of purchase. During this period, SPERIAN will repair or replace defective parts, at SPERIAN's option. Freight charges to and from the SPERIAN factory shall be paid by the purchaser.

EXCLUSIONS: NOTWITHSTANDING ANY CONTRARY TERM IN THE PURCHASER'S PURCHASE ORDER OR OTHERWISE, THE ONLY WARRANTY EXTENDED BY SPERIAN IS THE EXPRESSED LIMITED WARRANTY DEFINED ABOVE. THIS WARRANTY IS EXCLUSIVE AND IN LIEU OF ANY IMPLIED WARRANTY OF MERCHANTABILITY, OR FITNESS FOR A PARTICULAR PURPOSE.

CONDITIONS: To maintain this warranty this product must be used, maintained, and inspected as prescribed in the owner's instruction manual, including prompt replacement or repair of defective parts and such other necessary maintenance and repair as may be required. Normal wear and tear; parts damaged by abuse, misuse, negligence, or accidents; and inhalation and exhalation valves and twin seals are specifically excluded from this warranty.

LIMITATION OF LIABILITY: No other oral warranties, representations, or guarantees of any kind have been made by SPERIAN, its distributors, or the agents of either of them, that in any way alter the terms of this warranty. **EXCEPT AS HEREIN PROVIDED, SPERIAN SHALL HAVE NO LIABILITY FOR ANY LOSS OR DAMAGE, WHETHER DIRECT, INDIRECT, INCIDENTAL, OR CONSEQUENTIAL, TO ANY PURCHASER OR USER OF THIS PRODUCT ARISING FROM THE SALE, USE, OR OPERATION OF THIS PRODUCT.**



WARNING

The failure to use and maintain this equipment in strict conformance with the applicable instruction manual may result in personal injury, illness, or death. The equipment's use in any manner that is not expressly authorized pursuant to the applicable instruction manual may result in severe adverse impacts to human health.

XX. INSPECTION TABLE

IF ANY OF THE DEFECTS LISTED ARE FOUND, HAVE THE RESPIRATOR REPAIRED BEFORE USE.

COMPONENT	LOOK FOR
FACEPIECE LENS	<ol style="list-style-type: none">1. Nicks, scratches, or abrasions which could impair visibility.2. Deep gouges or cracks which could reduce impact resistance.3. Anti-fog coating in need of replacement.
FACEPIECE RIMS	<ol style="list-style-type: none">1. Deformed, cracked, or broken.2. Loose screws. Do not overtighten.
FACEPIECE SKIRT	<ol style="list-style-type: none">1. Cuts, gouges, or punctures.2. Tears or nicks in the sealing area.3. Deterioration from age, heat, or contamination.
FACEPIECE HEADSTRAPS AND BUCKLE STRAPS	<ol style="list-style-type: none">1. Abrasions or nicks.2. Deterioration from age, heat, or contamination.
FACEPIECE BUCKLES	Crushed, bent, broken, or corroded.
FACEPIECE INLET NOZZLE	<ol style="list-style-type: none">1. Heat or impact damage.2. Nicks, cracks, tears, or creases in the exhalation valve. Remove the valve cover from the nozzle to inspect it.3. Nicks, cracks, or dents in the exhalation valve seat.4. Sticking exhalation valve. Exhale a few times to test. The valve must close after each exhalation. Valves that fail to close must be replaced.
O-RINGS/TWIN SEALS	Cuts, nicks, abrasions, or excess stretching.
CARTRIDGE CONNECTORS	<ol style="list-style-type: none">1. Cracks, heat, or impact damage.2. Cuts, nicks, or abrasions on connector sealing flange.
HEADNET	<ol style="list-style-type: none">1. Signs of deterioration, weakening, and wear in the headnet and straps.2. Unraveled or loose stitching.

XXI. REPAIR TABLE

COMPONENT	INSTRUCTIONS
HEADSTRAP REPLACEMENT	<ol style="list-style-type: none">1. Remove the old headstrap from the facepiece, noting the routing of the straps.2. Install new headstrap.
TWIN SEAL/CONNECTOR REPLACEMENT	<ol style="list-style-type: none">1. To remove, rotate the connector clockwise. Lift the connector hook and rotate the connector counterclockwise, and pull outward.2. Remove twin seal o-ring from groove in lens.3. To install, gently separate the o-ring and gasket halves of the new twin seal. A small part number tab should remain attached to each half. Do not use the o-ring if it is damaged.4. Place the o-ring into the groove on the lens with the part number tab aligned with the slot.5. Align the three lugs on the underside of the connector with the three slots in the lens. Insert the connector into the lens port and rotate clockwise. An audible click should be heard.6. Install the new gasket onto the connector. The gasket must be seated in the groove in the connector.
NOZZLE COVER REPLACEMENT	<ol style="list-style-type: none">1. To remove, pinch the two lower latches while lifting the lower tab.2. Disengage the upper hook by lifting the cover upward.3. To install, engage the cover on the nozzle upper hook.4. Rotate cover downward until both lower latches engage the cover. An audible click should be heard.

XXI. REPAIR TABLE (Continued)

COMPONENT	INSTRUCTIONS
LENS REPLACEMENT	<ol style="list-style-type: none"> 1. Remove any cartridges and/or filters from the connectors. 2. Use a 5/32 inch Allen wrench to remove the two rim screws. 3. Gently separate the rims from the facepiece. 4. Pull the silicone skirt away from the lens. 5. Remove the nozzle cover as described above. 6. Remove the nozzle as described above. 7. Remove the connectors and twin seals as described above. 8. Install new twin seals and connectors into the new lens as described above. 9. Replace the nozzle o-ring and inspect the exhalation valve. 10. Install the nozzle and cover as described above. 11. Place the lens edge inside the lens channel of the skirt. 12. Knead the skirt until the silicone fits evenly around the lens edge. 13. Install the rims. Start the screw on one side, then the other. CAUTION—Do not pinch the silicone between the rims. 14. Alternate tightening each screw until firmly tightened. Do not overtighten. 15. Perform a facepiece fit check as described in section VII.
EXHALATION VALVE	<ol style="list-style-type: none"> 1. Remove the nozzle cover as described above. 2. Remove and discard the old exhalation valve. 3. Insert a new valve and pull the valve stem until it snaps into place. 4. Replace the nozzle cover as described above. 5. Perform a facepiece fit check as described in section VII.
ACCESSORIES	<p>Each modification kit and accessory purchased from SPERIAN has installation instructions. Use these instructions for removing and replacing any accessory.</p>

