



# **CLEAR-COM ECLIPSE**

**CCI-22**

**DUAL CHANNEL PARTY-LINE INTERFACE**

**INSTRUCTION MANUAL**

CCI-22 Dual Channel Party Line Interface Instruction Manual  
© 1997, 2005, 2008 Vitec Group Communications Ltd. All Rights Reserved.

Part Number 810307Z Rev. 3

Vitec Group Communications LLC  
850 Marina Village Parkway  
Alameda, CA 94501  
U.S.A

Vitec Group Communications Ltd  
7400 Beach Drive  
IQ Cambridge  
Cambridgeshire  
United Kingdom  
CB25 9TP

Vitec Group Communications  
Room 1806, Hua Bin Building  
No. 8 Yong An Dong Li  
Jian Guo Men Wai Ave  
Chao Yang District  
Beijing, P.R. China 100022

© Clear-Com, CellCom/FreeSpeak and the Clear-Com Communications Systems logo are registered trademarks of The Vitec Group plc.

# CONTENTS

<b>OPERATION</b> .....	<b>1-1</b>
Introduction .....	1-1
Description .....	1-1
Operation .....	1-2
Level Controls .....	1-2
Power LED .....	1-2
Send and Return Rejection Null Adjustment .....	1-2
<b>INSTALLATION</b> .....	<b>2-1</b>
Introduction .....	2-1
Installation In Interface Frame .....	2-1
Termination of Party-Lines .....	2-1
Wiring .....	2-2
Clear-Com Party Lines General Discussion .....	2-2
Two Separate Party Lines .....	2-3
Multiple Clear-Com Beltpack Channels from One Power Supply .....	2-4
To Connect "RTS" 2-Channel 2-Wire Party-Lines .....	2-7
Power from "Channel A" Line Only .....	2-8
Two Isolated RTS Lines .....	2-9
Adjustments .....	2-10
Power LED .....	2-10
Level Controls .....	2-10
Audio Rejection Null Adjustment .....	2-10
Configuration .....	2-11
<b>MAINTENANCE</b> .....	<b>3-1</b>
Introduction .....	3-1
Bill of Materials .....	3-1
Diagrams .....	3-6
<b>SPECIFICATIONS</b> .....	<b>4-1</b>
<b>LIMITED WARRANTY</b> .....	<b>W-I</b>
Warranty Period .....	W-i
Technical Support .....	W-i
Warranty Repairs and Returns .....	W-ii
Non-Warranty Repairs and Returns .....	W-ii
Extended Warranty .....	W-ii

Liability ..... W-iii

# IMPORTANT SAFETY INSTRUCTIONS

**For your safety, it is important to read and follow these instructions before operating a CCI-22 dual channel party-line interface:**

*Please read and follow these instructions before operating a CCI-22 dual channel party-line interface.*

- (1) **WARNING:** To reduce the risk of fire or electric shock, do not expose a CCI-22 dual channel party-line interface to rain or moisture. Do not operate a CCI-22 dual channel party-line interface near water, or place objects containing liquid on it. Do not expose a CCI-22 dual channel party-line interface to splashing or dripping water.
- (2) For proper ventilation, make sure ventilation openings are not blocked. Install the CCI-22 dual channel party-line interface according to the directions in the Installation chapter of this manual.
- (3) Do not install a CCI-22 dual channel party-line interface near a heat source such as a radiator, heat register, stove, or other apparatus (including amplifiers) that produces heat. Do not place naked flame sources such as candles on or near a CCI-22 dual channel party-line interface.
- (4) Only use attachments/accessories specified by Clear-Com Intercom Systems.
- (5) Unplug the CCI-22 dual channel party-line interface during lightning storms or when unused for long periods of time.
- (6) Refer all servicing to qualified service personnel. Servicing is required when:
  - The CCI-22 dual channel party-line interface has been damaged in any way.
  - Liquid has been spilled or objects have fallen into the CCI-22 dual channel party-line interface chassis.
  - The CCI-22 dual channel party-line interface has been exposed to rain or moisture.
  - The CCI-22 dual channel party-line interface does not operate normally.
  - The CCI-22 dual channel party-line interface has been dropped.

Please familiarize yourself with the safety symbols in Figure 1. When you see these symbols on a CCI-22 dual channel party-line interface, they warn you of the potential danger of electric shock if the CCI-22 dual channel party-line interface is used improperly. They also refer you to important operating and maintenance instructions in the manual.



This symbol alerts you to the presence of uninsulated dangerous voltage within the product's enclosure that might be of sufficient magnitude to constitute a risk of electric shock. Do not open the product's case.



This symbol informs you that important operating and maintenance instructions are included in the literature accompanying this product.

*Figure 1: Safety Symbols*

# OPERATION

## INTRODUCTION

This chapter describes how to use the CCI-22 dual party-line interface. You can use this chapter once the Eclipse matrix system has been correctly installed and configured with the Eclipse Configuration System, and when the CCI-22's internal jumpers have been set. For information on configuring the CCI-22 jumpers refer to Chapter 2, "Installation".

## DESCRIPTION

Each CCI-22 dual party-line interface can connect two independent external 2-wire party-line intercom systems to the Eclipse matrix. It will support Clear-Com and many other 2-wire analog party-line formats as well act as an independent 2/4wire party line interface for other 4wire intercom matrices.

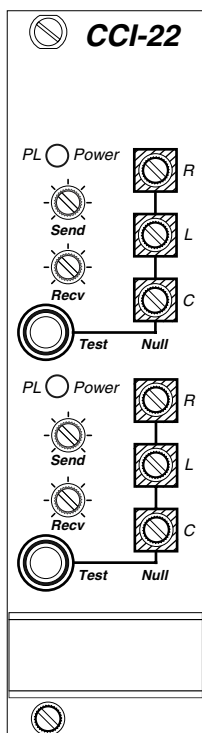
The CCI-22 fully supports call signals between the matrix and a Clear-Com party-line; call signals between the matrix and other party-line types may not be fully supported. All call signal paths are optically isolated. All audio paths are transformer isolated, eliminating noise induced by ground loops in the party-line systems. "Send" and "receive" level controls are included on the front panel. The CCI-22 features sophisticated "sidetone nulling" circuitry.

The CCI-22 occupies one slot in an IMF-3 or IMF-102 interface module frame. Connections to the matrix are via 8-pin RJ-45 connectors on the rear panel. Connections to external party-lines are via 9-pin connectors on the rear panel.

The **CCI-22's party-line circuits do not receive power from the matrix**, but must be connected to an externally powered party-line.

More than one CCI-22 interface port may be assigned to one Eclipse system party-line label to create a single unified party-line. However, the nature of 2-wire to 4-wire hybrid conversions may limit the maximum number of external 2-wire party-lines that can be combined. Call signals to any one of the CCI-22 channels will reach destinations in the other CCI-22 channels in addition to the destination ports within the matrix.

When a CCI-22 interface port receives a call signal from a Clear-Com party-line, it will be sent to all ports in the matrix which have "listens" activated to the party-line at the time of the call signal. In addition, call signals can be programmed to signal specific stations (see the Configuration section of the Installation chapter).



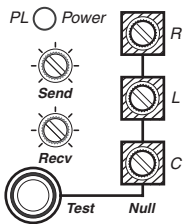
# OPERATION

In normal use, the CCI-22 interface does not require operator interaction. The front panel features a set of level controls and a power indicator LED. The front panel also includes a set of three "null" adjustment controls. The null adjustment controls are discussed in "Installation", Chapter 2.

## LEVEL CONTROLS

The Send level controls affect the level of the audio signals from the matrix to the external party-line, and the Recv ("receive") control affects the level of the audio from the party-line into the matrix.

The Send and Receive controls have a range of  $\pm 13$  dB. They are normally set at the center position when used with Clear-Com PL-Pro or Encore party-line equipment.



## POWER LED

The green Power LED lights when DC power is supplied to the interface. The interface is powered by the party-line it is connected to.

## Send and Return Rejection Null Adjustment

Normally this adjustment is made once during installation. If additional adjustment is required use the following procedure.

A lack of 2-wire rejection will affect the sound of the operator's own voice in his or her headset. In interfaces, it is necessary to "null" (minimize) the rejection when an external party-line is placed in the matrix environment. Ideally, there should be no portion of the Talk signal in the Listen signal. The nulling procedure for each channel of the CCI-22 is described here.

The CCI-22 includes built-in nulling circuitry, including a test tone generator and an accessory earphone. The earphone plugs into a 1/8-inch (3.1mm) phone jack on the front panel. When the earphone is plugged in, it automatically switches on a test tone, and monitors the output of the null circuit.

Separate "R" (Resistance), "L" (Inductance), and "C" (Capacitance) controls compensate for each component of the line's impedance, providing the best null possible.

The null circuit is effective on line lengths between zero and 4000 feet (1200m) with impedances in the range of 120 to 350 ohms, and can reduce local audio in the received signal by more than 30 dB over the frequency range of 200 Hz to 8 kHz.

To null one channel of the CCI-22:

1. Connect the external party-line devices together with the cables they are going to use to the CCI-22 channel.



2. Plug the accessory earphone into the front panel jack labeled "Test". This will disconnect the interface from the matrix and enable the test oscillator. The oscillator produces a square wave with both low and high harmonics, allowing you to test all frequencies. The test tone pulses approximately every half-second.
3. While listening to the test tone in the earphone, adjust the "R" control until the tone is at a minimum.
4. Repeat Step 3 with the "L" and "C" controls. Because these controls interact with each other, you will need to repeat steps 3 and 4 several times before you will have minimized the test tone. Continue adjustment until the tone is virtually inaudible. If an almost complete null cannot be obtained, it is likely that something is wrong either with the wiring in the external party-line, or with one of the other devices attached to the external party-line. Steps 5 through 9 are troubleshooting hints.
5. If the "R" control is turned fully counter-clockwise, the line has either more than one termination, or an excessive resistive load.
6. If the "R" control is fully clockwise, then the line has no termination.
7. The "L" control compensates for the low-frequency inductive and capacitive elements of the external party-line. If the "L" control is fully turned in either direction, it is likely that there is a problem in the external party-line. When a Clear-Com party-line is connected, the "L" control should be just to one side of its mid-pot position.
8. The "C" control compensates for cable capacitance; the setting depends on the length of the line. If the "C" control is fully counter-clockwise, this indicates a very short line (under ten feet); this is a valid setting for a short line.
9. If the "C" control is fully clockwise, this indicates an excessively long line (over 4,000 feet or 1200m).



# 2 INSTALLATION

## INTRODUCTION

This chapter describes the installation of the CCI-22 dual party-line interface, including setting internal jumpers, wiring to external devices, and setting front-panel controls and indicators.

## INSTALLATION IN INTERFACE FRAME

To install the CCI-22 interface module in the IMF-3 or IMF-102 interface frame:

1. Select a slot in which to install the interface.
2. Remove the blank plate covering the slot.
3. Set any Party-Line Termination Jumpers as necessary.
4. Slide the CCI-22 in the slot and ensure that the card is fully seated.
5. Tighten the CCI-22's front-panel mounting screws.

## TERMINATION OF PARTY-LINES

A “Clear-Com termination network” (also known simply as a “termination”) is a Resistor-Capacitor (RC) circuit that must be connected between the Audio and Ground lines of any Clear-Com party-line. To ensure correct operation of the external party-line, only one termination can be installed on any given party-line.

A party-line termination is normally provided by the component powering the party-line. Although the CCI-22 is not designed to supply power to an external party-line system, each channel of the CCI-22 features a Clear-Com termination circuit that can be connected to the party-line by installing a jumper. This termination network is not normally connected, and should only be connected in the rare case that the external party-line does not include a termination circuit. An example of the use of these termination networks is Figure 2-6 on page 2-6.

If a party-line has more than one termination circuit, it will not null correctly (see “Rejection Null Adjustment” on **page 2-10**). The most common symptom of this is when the line does not null, even though the “R” null control has been turned all the way counter-clockwise. If this happens, check all components connected to the party-line that are capable of providing a termination to be sure that only one termination is connected to the party-line.

The two termination circuits on the CCI-22 connect to the channel A and B party-lines; they are enabled and disabled by the jumpers at JP100 (which controls the termination circuit for channel A) and JP200 (which controls the termination for channel B). JP100 and JP200 are

located near the center of the CCI-22 main circuit board, and are shown as a detail in the assembly drawing for the CCI-22 main circuit board in the Maintenance Chapter. When either jumper is next to the label “B”, its termination is disabled; moving the jumper next to the label “A” enables the termination.

## WIRING

The CCI-22 interfaces are connected to the matrix frame through the two RJ-45 connectors on the IMF-3 or IMF-102 rear-panel assembly (part no. 710538Z) to which CCI-22 is connected. For connection to a matrix frame refer to the “Installation in Interface Frame” on page 2-1. For internal jumper settings and adjustments refer to “Adjustments” on page 2-10.

The “user” side of the CCI-22 for each channel is on a pair of DB-9M connectors on the rear of the interface frame. Figure 2-1 shows the pinout of either one of these connectors. Both DB-9Ms are paralleled such that both party-line channels are available on each connector. It is possible to wire one DB-9 connector as channel #1, the second DB-9M as channel #2, or bring both channels out either DB connector separately or create a TW type party-line connection.

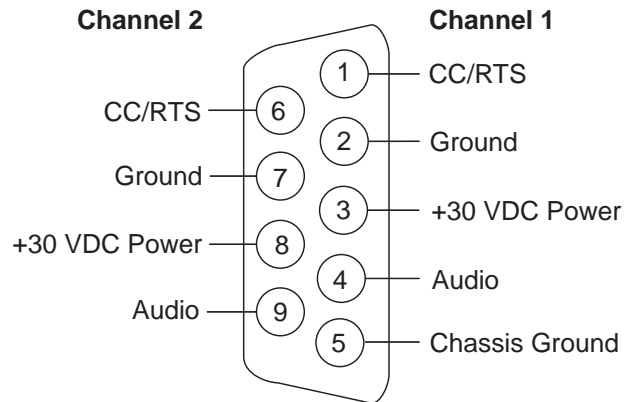


Figure 2-1: Pinout of the DB-9M Interface I/O Connectors

## CLEAR-COM PARTY LINES GENERAL DISCUSSION

Stations on Clear-Com party-lines are connected with two-conductor shielded microphone cable. One conductor carries the DC power (28 to 30 V), while the other carries the duplex two-way intercom audio signal and DC “Call Light” signaling. The shield acts as common ground for both the power and signal.

Power to the CCI-22 interface channels must be provided by the external party-line. The power connection for each channel is the “+30 VDC Power” pin on the appropriate DB-9M Interface I/O connector located on the rear-panel assembly. The CCI-22 channel is essentially just another “belt-pack” on the party-line.

The power pin has a DC filtering circuitry to provide a high impedance for the audio so the power can be received from a “powered line or TW line” as is common with RTS systems. For TW operation tie the AUDIO and POWER pins together.

Each party-line channel requires exactly one termination circuit. The termination circuit is usually built into the system component providing the party-line’s power. Connecting more than one termination circuit to a party-line will impair the null and degrade the line’s audio quality.

When a CCI-22 party-line channel is connected to a Clear-Com party-line, the Clear-Com/Other Select pin must be left floating. Grounding this pin selects the RTS mode, which is incompatible with Clear-Com party-lines.

## TWO SEPARATE PARTY LINES

The diagram in Figure 2-2 shows the CCI-22’s two channels connecting two independent external party lines to the matrix. Each external party line provides its own power and termination. The wiring diagrams in Figure 2-3 and Figure 2-4 show an external switch on the Clear-Com/Other Select pin; this switch allows the CCI-22 channel to be used on either Clear-Com or RTS party-lines.

In the wiring diagram in Figure 2-3, all connections to the CCI-22 are made using only one of the CCI-22’s two parallel DB-9M connectors. The wiring diagram in Figure 2-4 shows the same connections as Figure 2-3, except that each DB-9M connector is wired separately. Use the wiring method that is most convenient for the installation.

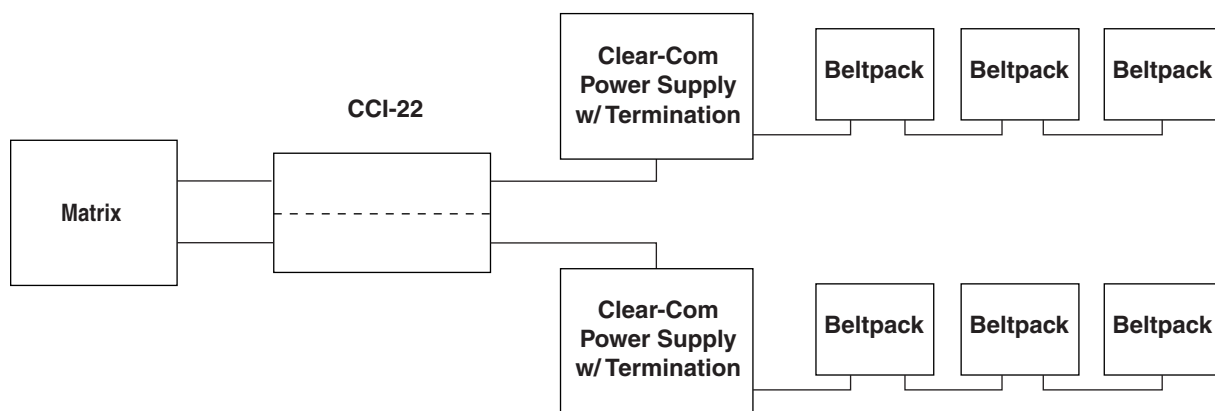


Figure 2-2: Two External Party-Lines Connected to the CCI-22

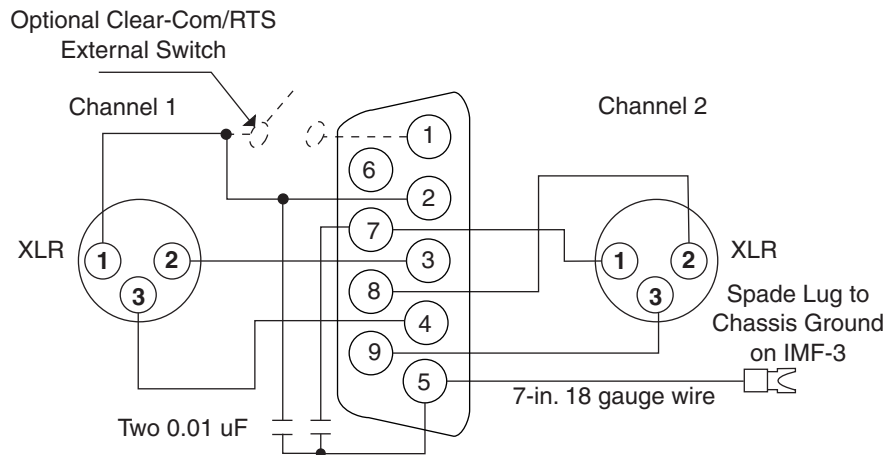


Figure 2-3: One DB-9 Connected to the CCI-22

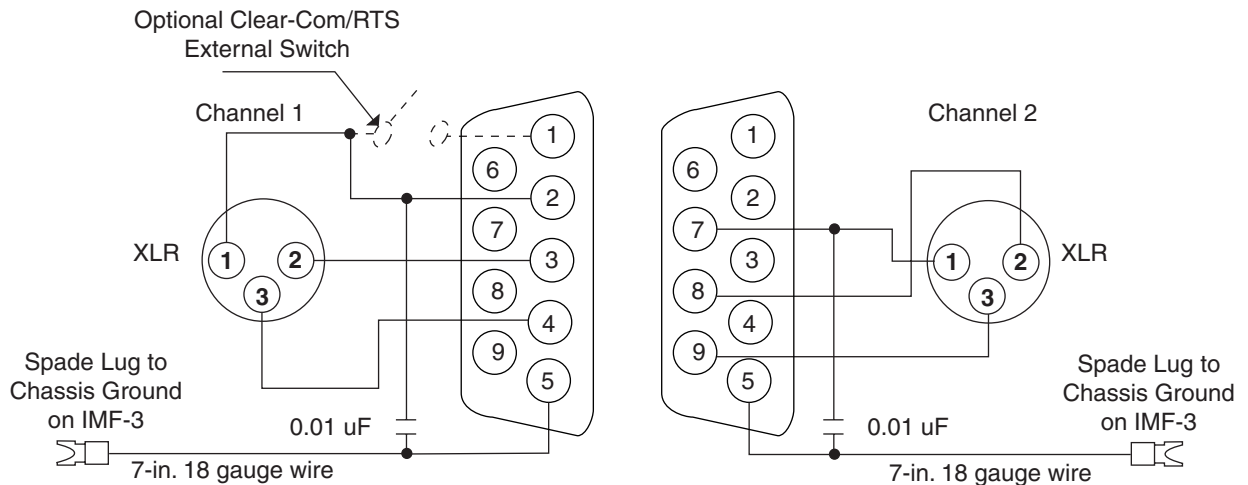


Figure 2-4: Two Separate DB-9 Connections to the CCI-22

## MULTIPLE CLEAR-COM BELTPACK CHANNELS FROM ONE POWER SUPPLY

A single two-output power supply can provide power for more than two CCI-22 party-line channels. In this case the power supply provides power for each party-line, but each CCI-22 channel provides the termination for each party-line. Many Clear-Com power supplies have a switch to enable or disable the termination circuits from each of its outputs. If using such a supply:

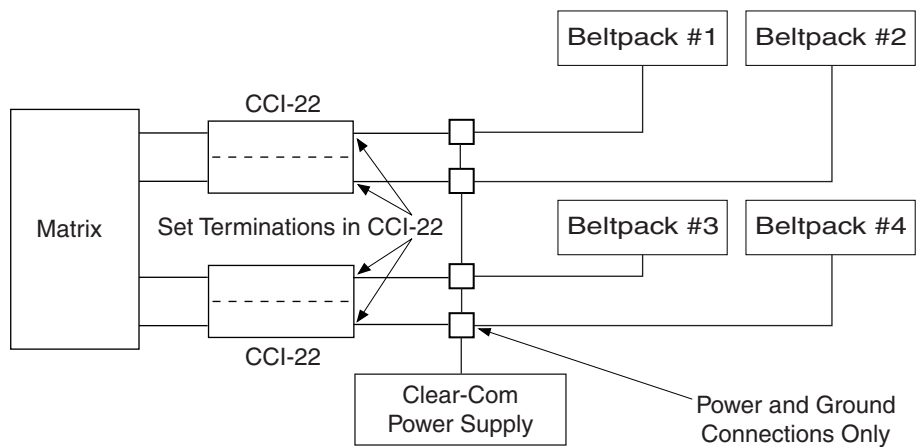
1. Disable the terminations by using the switch.
2. Connect the **PS-702** output to all of the CCI-22 channels to be powered using the standard three connections in the XLR connector.

3. Set the termination jumper for each CCI-22 channel to position “A” (termination connected) as described in “Termination of Party-Lines.”

If the power supply does not have a termination-disconnect switch, wire the system as shown in **Figure 2-5 on page 2-5**. In this configuration, only the power supply channel’s power and ground lines are connected to the party-line.

**Note: Do not connect the power supply output’s terminated audio line to the party line.**

Do not let the power supply output’s current rating exceed the total current drawn by the devices powered.



*Figure 2-5: Diagram of One Power Supply with Four CCI-22 Terminations*

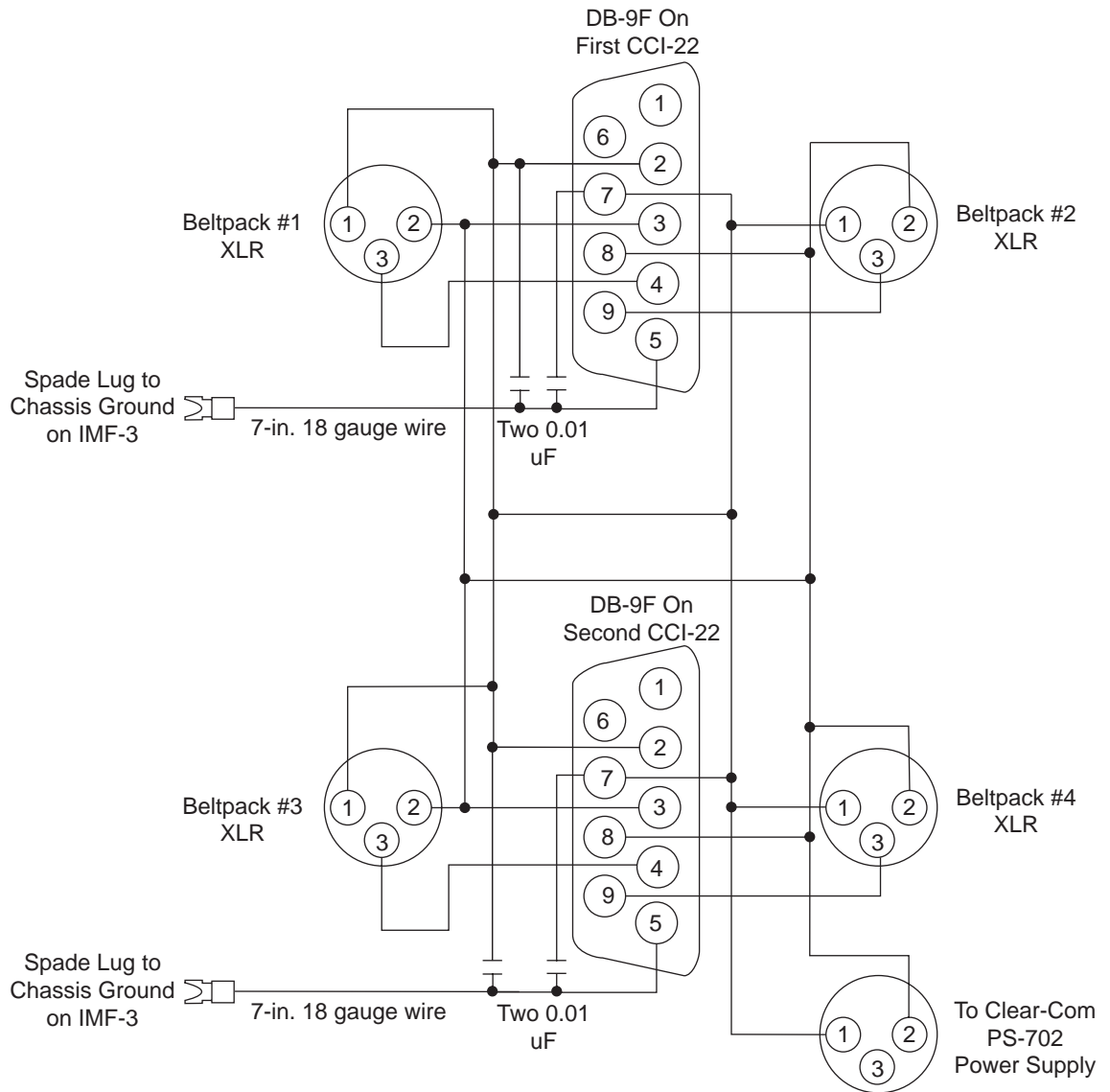


Figure 2-6: Wiring of One Power Supply for More than Two Party-Line Channels

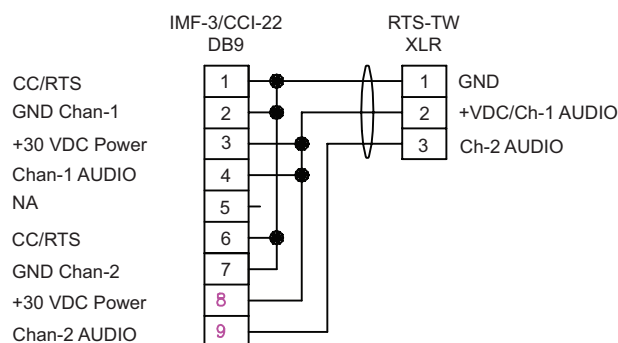
**Note:** In Figure 2-6 beltpacks #1 and #3 are on one Party Line intercom channel while beltpacks #2 and #4 are on the other Party Line intercom channel.



## TO CONNECT “RTS” 2-CHANNEL 2-WIRE PARTY-LINES

Stations on RTS 2-channel 2-wire party lines are connected with 2-conductor shielded cable. One of the two shielded conductors carries both the DC power and the audio signal for one channel, while the other conductor carries audio only providing two channels per cable. The shield is a common ground for both channels. The matrix can be connected to a 2-channel 2-conductor “RTS” line using the CCI-22’s two channels. The CCI-22 does not support RTS call signals.

Power to the CCI-22’s channels must be provided by the external party line. The power connection for each channel is the “+30 VDC Power” pin on the appropriate DB9-M Interface I/O connector on the rear-panel assembly. When connected to an RTS system, each channel’s power input circuit will filter out the audio signal on the RTS line.



*Figure 2-7: Connection Diagram of CCI-22 DB-9 to RTS XLR*

Audio is fed to each CCI-22 channel via the “audio” pin on the appropriate DB9-M Interface I/O connector on the rear-panel assembly. When connected to an RTS system, each channel’s audio input circuit will filter out the DC power on the RTS line.

The Clear-Com/RTS pin must be grounded when a CCI-22 party-line channel is connected to an RTS party line. Leaving this pin floating selects “Clear-Com” mode, which is incompatible with RTS party lines.

The termination jumper of each CCI-22 channel must be set to “B” (termination disabled).

CCI-22 channels can be connected to RTS party lines in a variety of configurations, depending on how the power and grounds are connected between the party line and the CCI-22 channel. The following sections describe the options.

## Power from “Channel A” Line Only

Figure 2-8 shows only one non-Clear-Com channel powering both CCI-22 channels. The grounds are connected near the CCI-22's DB9 connector. Interface I/O Connector with one non-Clear-Com channel powering both interfaces (seen from the Cable Side of the Connectors).

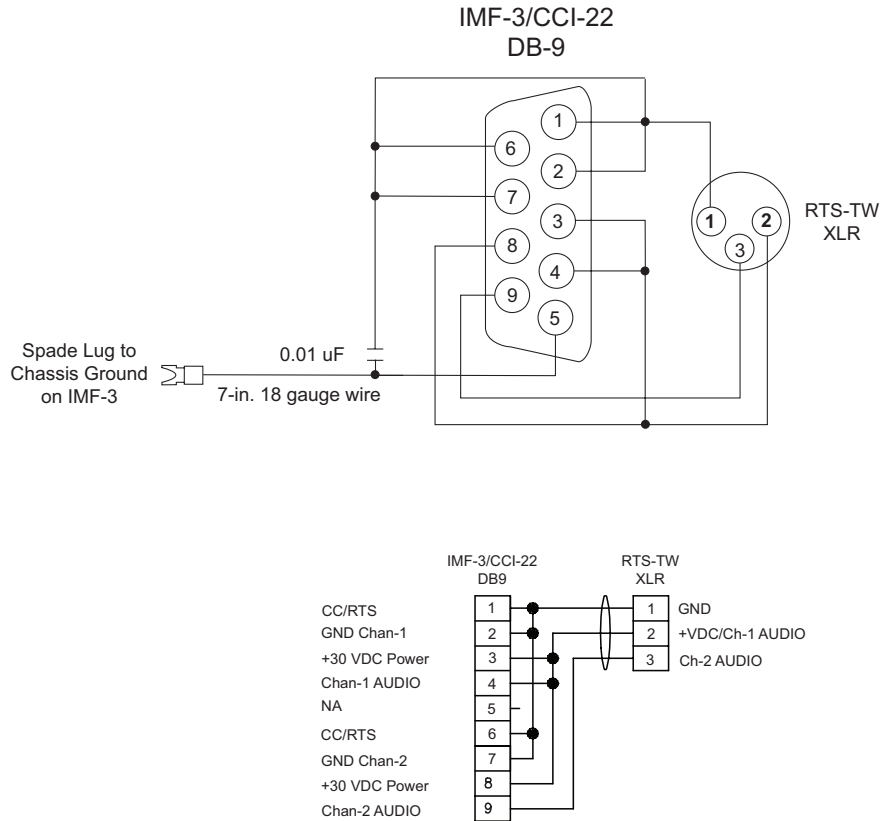
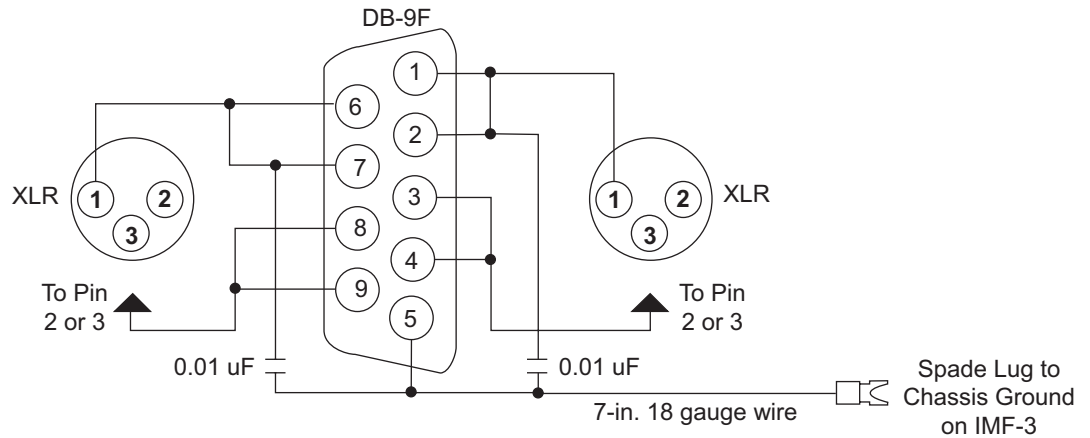


Figure 2-8: Cable Wiring Connection for Two RTS Party-Line Channels to the CCI-22

## Two Isolated RTS Lines

In Figure 2-9, each RTS channel is completely isolated from the other, including the grounds.



*Figure 2-9: Cable Wiring Connections between Two Isolated RTS Party-Line Channels*

When wiring the DB-9 to XLR ensure that the power and audio line is only wired to pin 2 while the audio only line is only wired to pin 3.

# ADJUSTMENTS

## POWER LED

The green “PL Power” LEDs indicate whether the interface channels are getting +30 VDC power from the external party line to which they are connected.

## LEVEL CONTROLS

The “Send” level controls affect the level of the audio signals from the matrix to the external party line.

The “Recv” level controls affect the level of the audio from the party line to the matrix. The level controls have a range of  $\pm 13$  dB; they are normally set to the midrange position.

## AUDIO REJECTION NULL ADJUSTMENT

**Sidetone is the sound of the operator’s voice in his headset. In interfaces, it is necessary to null (minimize) the sidetone as much as possible when an external party line is placed in the matrix environment. Ideally, there should be no portion of the talk signal in the listen signal.**

The CCI-22 features sophisticated built-in nulling circuitry, including a test-tone generator and an accessory earphone. The earphone plugs into a phone jack on the front panel. When the earphone is plugged in, it automatically switches on a test tone and monitors the output of the null circuit.

Separate “R” (resistance), “L” (inductance), and “C” (capacitance) controls compensate for each component of the line’s impedance, providing the best null possible.

The null circuit is effective on line lengths between zero and 4000 ft (1200m) with impedances in the range of 120 to 350 ohms, and can reduce local audio in the received signal by more than 30 dB over the frequency range of 200 Hz to 8 kHz.

To null one channel of the CCI-22:

1. Connect the external party-line devices to the CCI-22 channel. Make sure that any connected devices do not have their microphones on.
2. Plug the accessory earphone into the front-panel jack labeled “Test.” This will disconnect the interface from the matrix and enable a test oscillator. The oscillator produces a square wave with both low and high harmonics, allowing testing of all frequencies. The test tone pulses approximately every 0.5 seconds.
3. While listening to the test tone in the earphone, adjust the “R” control until the tone is at a minimum.
4. Repeat Step 3 with the “L” and “C” controls. Because these controls interact, steps 3 and 4 will have to be repeated several times the

test tone is minimized. Continue adjustment until the tone is minimal. If a deep null cannot be obtained, it is likely that something is wrong either with the wiring in the external party line or with one of the other devices attached to it.

Following are some troubleshooting hints if a deep null cannot be obtained:

- If the “R” control is turned fully counter-clockwise, the line has either more than one termination, or an excessive resistive load.
  - If the “R” control is fully clockwise, then the line has no termination.
  - The “L” control compensates for the low-frequency inductive and capacitive elements the wiring of the external party line presents to the line. If the “L” control is fully turned in either direction, it is likely that there is a problem in the external party line. When a Clear-Com party line is connected, the “L” control should be just to one side of its mid-pot position.
  - The “C” control compensates for cable capacitance; the setting depends on the length of the line. If the “C” control is fully counter-clockwise, it indicates a very short line (under 10 ft.); this is a valid setting for a short line.
  - If the “C” control is fully clockwise, it indicates an excessively long line (more than 4000 ft.).

## CONFIGURATION

Refer to the *Eclipse Configuration System Instruction Manual* for information on configuring parameters from the matrix.



# 3

## MAINTENANCE

### INTRODUCTION

This chapter provides schematics, assembly drawings and component lists for the CCI-22 dual party-line interface module. To view diagrams please refer to the end of this chapter.

### BILL OF MATERIALS

#### BILL OF MATERIALS FOR THE CCI-22 MODULE PCB (PART NO. 710214)

#### CAPACITORS

Designator	Component Description	Qty
C103 C203	39pF Ceramic Disc 50V 5%	2
C111 C127 C211 C227	47pF Ceramic Disc 50V 10%	4
C112 C212	100pF Monolithic 50V 20%	2
C102 C110 C202 C210	470pF Ceramic Disc 50V 10%	4
C117 C217	0.01uF Ceramic Disc 30V 20%	2
C107 C113 C207 C213	0.047uF Monolithic 50V 10%	4
C119 C123 C219 C223	0.22uF Monolithic 100V	3
C118 C120 C218 C220	0.47uF Aluminum 50V	4
C108 C109 C114 C121 C122 C208 C209 C214 C221 C222	0.47uF Monolithic 50V	10
C106 C115 C206 C215	4.7uF Tantalum 35V	4
C101 C116 C125 C126 C201 C216 C225 C226	10uF Aluminum 50V	8
C124 C224	22uF Aluminum 16V	2
C104 C105 C204 C205	220uF Aluminum 35V	

## RESISTORS & RESISTOR PACKS

Designator	Component Description	Qty
R101 R201	10 OHM 1/4 Carbon Film 5%	2
R109 R209	22 OHM 1/4 Carbon Film 5%	2
R106 R206	56 OHM 1/4 Carbon Film 5%	2
R105 R205	100 OHM 1/4 Carbon Film 5%	2
R153 R154 R253 R254	150 OHM 1/4 Carbon Film 5%	4
R102 R112 R125 R144 R202 R212 R225 R244	220 OHM 1/4 Carbon Film 5%	8
R130 R230	270 OHM 1/4 Carbon Film 5%	2
R131 R136 R231 R236	470 OHM 1/4 Carbon Film 5%	4
R156 R256	620 OHM 1/4 Carbon Film 5%	2
R104 R107 R204 R207	1K OHM 1/4 Carbon Film 5%	4
R117 R217	1.5K OHM 1/4 Carbon Film 5%	2
R146 R246	2.2K OHM 1/4 Carbon Film 5%	2
R123 R147 R223 R247	3.3K OHM 1/4 Carbon Film 5%	4
R148 R248	4.3KOHM1/4Carbon Film5%	2
R108 R113 R142 R208 R213 R242	4.7K OHM 1/4 Carbon Film 5%	6
R151 R251	5.6K OHM 1/4 Carbon Film 5%	2
R115 R215	8.2K OHM 1/4 Carbon Film 5%	2
R114 R116 R124 R155 R161 R214 R216 R224 R255 R261	10K OHM 1/4 Carbon Film 5%	10
R143 R243	15K OHM 1/4 Carbon Film 5%	2
R132 R134 R232 R234	22K OHM 1/4 Carbon Film 5%	4
R145 R245	27K OHM 1/4 Carbon Film 5%	2
R122 R127 R128 R138 R149 R150 R222 R227 R228 R238 R249 R250	47K OHM 1/4 Carbon Film 5%	12
R126 R226	51K OHM 1/4 Carbon Film 5%	2
R118 R119 R121 R139 R141 R218 R219 R221 R239 R241	100KOHM 1/4 Carbon Film 5%	10
R110 R111 R120 R133 R157 R158 R159 R160 R210 R211 R220 R233 R257 R258 R259 R260	220K OHM 1/4 Carbon Film 5%	16
R135 R235	330K OHM 1/4 Carbon Film 5%	2
R103 R137 R140 R152 R203 R237 R240 R252	470K OHM 1/4 Carbon Film 5%	8
R129 R229	560K OHM 1/4 Carbon Film 5%	2



## DIODES AND TRANSISTORS

Designator	Component Description	Qty
D102 D104 D202 D204	Diode 1N4001 RECT 1A 50PIV	4
D103 D105 D106 D107 D203 D205 D206 D207	Diode 1N4148 SIGNAL 10MA 75PIV	8
D108 D208	Diode 1N957B ZENER 6.8V .4W 5%	2
Q105 Q107 Q205 Q207	Transistor 2N2222 NPN 30V	4
Q103 Q203	Transistor 2N4401 NPN 40V	2
Q108 Q109 Q110 Q111 Q208 Q209 Q210 Q211	Transistor J174 JFET PCHAN 8V VGS	8
Q106 Q206	Transistor MPS-A13 NPN 30V DARL	2
Q101 Q102 Q201 Q202	Transistor MPS-A55 PNP 60V	4
Q104 Q204	Transistor MPS-A63 PNP 30V DARL	2

## INTEGRATED CIRCUITS

Designator	Component Description	Qty
IC105 IC106 IC205 IC206	Analog IC 4N26 OPTO COM- PILER	4
IC103 IC104 IC203 IC204	Logic Chip 4001 CMOS QUAD 2 IN NOR	4
IC102 IC202	Op Amp LM741 IC OP AMP 8-PIN DIP	2
IC101 IC201	Op Amp NE5532 DUAL LO NOISE OP AMP	2

## MISCELLANEOUS

Designator	Component Description	Qty
J100 J200	Connector 3 COND MINI PHONE JACK	2
D101 D201	LED T1 RT ANG 5mA GREEN	2
P101 P201	Pot 10K TRIMPOT	2
P102 P202	Pot 50K TRIMPOT	2
T101 T102 T201 T202	Transformer 600 OHM 1:1 AUDIO TRANS	4

## BILL OF MATERIALS FOR THE CCI-22 NULL PCB (PART NO. 710215)

### CAPACITORS

Designator	Component Description	Qty
C107 C207	15 pF Ceramic Disc 1000V 10%	2
C114 C214	39 pF Ceramic Disc 50V 5%	2
C103 C203	180 pF Monolithic 50V	2
C102 C202	200 pF Ceramic Disc 50V 10%	2
C101 C201	470 pF Ceramic Disc 50V 10%	2
C106 C109 C206 C209	820 pF Ceramic Disc 50V 10%	4
C112 C212	0.0047 uF Mylar 50V 10%	2
C116 C117 C216 C217	0.01 uF Monolithic 50V 20%	4
C105 C111 C205 C211	0.047 uF Metal Polyester 50V 10%	4
C110 C113 C210 C213	0.22 uF Monolithic 100V	4
C115 C215	1 uF Aluminum 50V 10%	2
C104 C204	4.7 uF Aluminum 50V	2

### RESISTORS & RESISTOR PACKS

Designator	Component Description	Qty
R103 R203	430OHM1/4Carbon Film5%	
R114 R214	470OHM1/4Carbon Film5%	
R112 R212	1K OHM 1/4 Carbon Film 5%	2
R109 R113 R209 R213	1.5K OHM 1/4 Carbon Film 5%	4
R111 R211	3.3K OHM 1/4 Carbon Film 5%	2
R106 R206	15K OHM 1/4 Carbon Film 5%	2

Designator	Component Description	Qty
R101 R102 R201 R202	20.0K OHM 1/4 Carbon Film 1%	3
R108 R208	22K OHM 1/4 Carbon Film 5%	2
R110 R210	33K OHM 1/4 Carbon Film 5%	2
R116 R216	39K OHM 1/4 Carbon Film 5%	2
R115 R215	47K OHM 1/4 Carbon Film 5%	2
R104 R105 R204 R205	47.5K OHM 1/8 Carbon Film 1%	4
R118 R218	51K OHM 1/4 Carbon Film 5%	2
R117 R217	200K OHM 1/4 Carbon Film 5%	2
R107 R207	220K OHM 1/4 Carbon Film 5%	2

### INTEGRATED CIRCUITS

Designator	Component Description	Qty
IC101 IC102 IC201 IC202	Op Amp NE5532 DUAL LO NOISE OP AMP	1

### MISCELLANEOUS

Designator	Component Description	Qty
P101 P102 P103	50K TRIMPOT PIHER #PT10WH-50K	3
P201 P202 P203	PIHER TRIMPOT SHAFT #5116 GREY	3

# DIAGRAMS

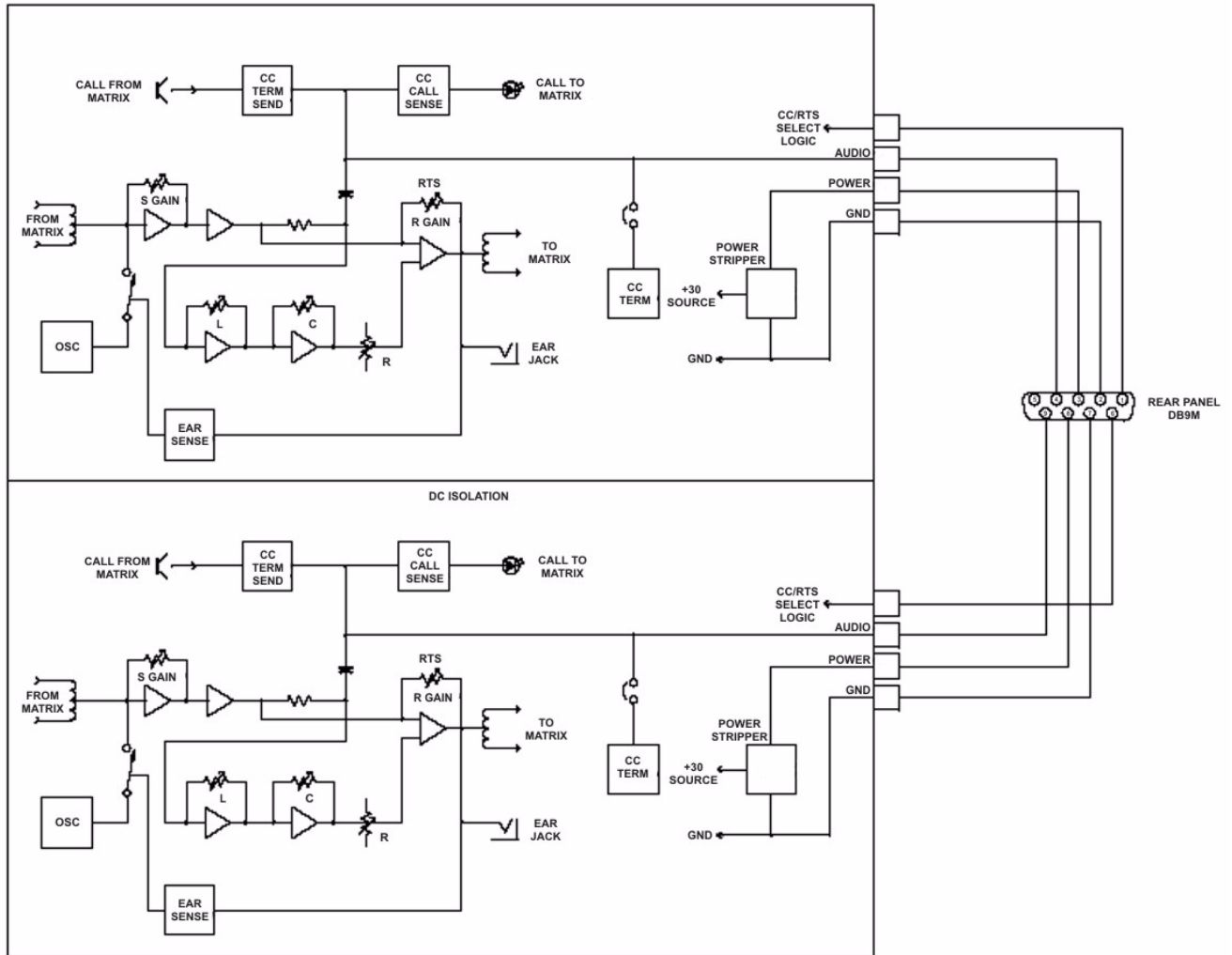


Figure 3-1: Block Diagram - CCI-22 Interface

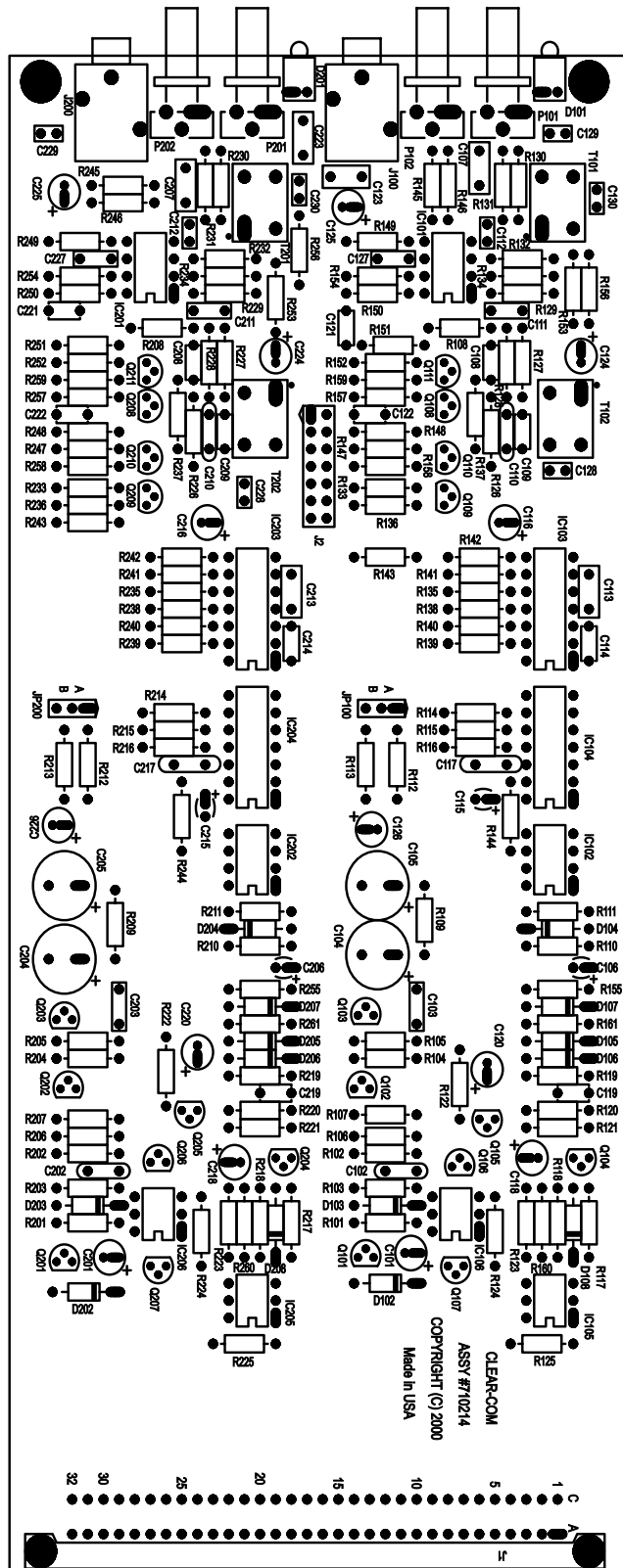


Figure 3-2: Schematic - CCI-22 Interface (Part No. 719214)

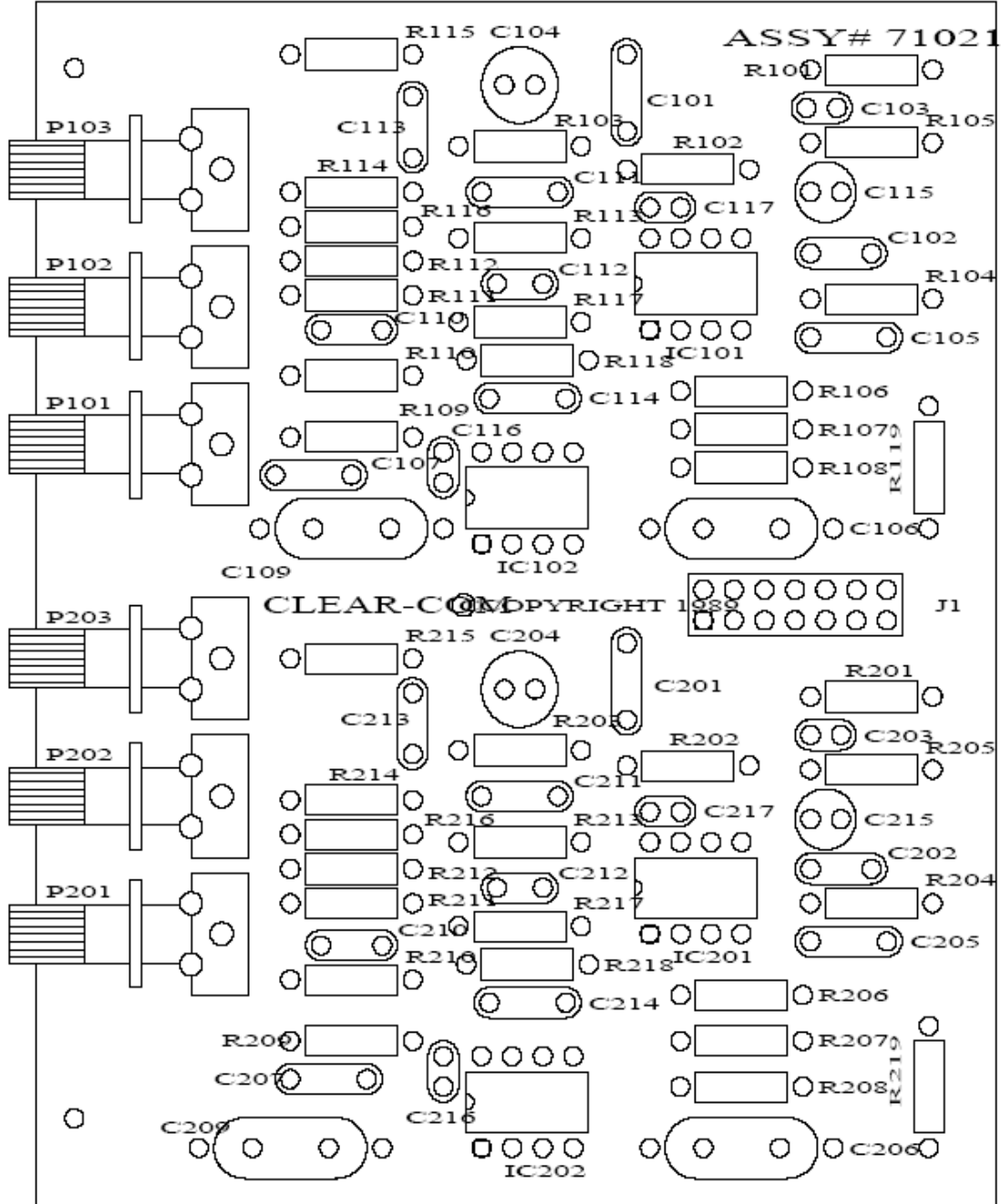


Figure 3-3: Assembly Drawing - CCI-22 Main PCB (Part No. 710215)

# 4 SPECIFICATIONS

**Note:** 0 dBu is referenced to 0.775 V RMS

## Party-Line Characteristics (Clear-Com Mode)

Audio Level	-15 dBu nominal
Clipping Level	+3 dBu minimum
Impedance	Greater than 10k ohms (bridging)
Frequency Response	200 to 10k Hz, $\pm 3$ dB

## Party-Line Characteristics (RTS Mode)

Audio Level	-10 dBu nominal
Clipping Level	+5 dBu minimum
Impedance	Greater than 10k ohms (bridging)
Frequency Response	200 to 10k Hz, $\pm 3$ dB

## Call Signal Input (Clear-Com Mode)

Threshold	4 VDC on Audio Line
-----------	---------------------

## Call Signal Output (Clear-Com Mode)

Level	11 VDC Minimum on Audio Line
-------	------------------------------

## Nulling Capability

Line Length	0 to 4000 ft (1200m)
Line Impedance	120 to 350 ohms
Depth of Null	Greater than 30 dB, 200 to 8k Hz

## DC Isolation

From the IMF-3 frame to an external input or output: >10 Mega-ohms.

## Power Consumption (Each Channel)

Maximum	40 mA at 20 to 30 VDC (Power is supplied by the external party-line)
---------	---

## Connectors

RJ-45 "To Matrix"	2
DB-9M "Interface I/O"	2
1/8 in. Phone Jack	1 on Front Panel

## Operating Environment

Temperature	Between 0° and 70° C (32° to 150° F)
-------------	--------------------------------------

## Package Dimensions

Frame Slot Usage	1 slot of IMF-3 or IMF-102 frame
Weight	0.54 lb (0.22 kg)

## Notice About Specifications

While Vitec Group Communications makes every attempt to maintain the accuracy of the information contained in its product manuals, that information is subject to change without notice. Performance specifications included in this manual are design-center specifications and are included for customer guidance and to facilitate system installation. Actual operating performance may vary.



# LIMITED WARRANTY

Vitec Group Communications (VGC) warrants that at the time of purchase, the equipment supplied complies with any specification in the order confirmation when used under normal conditions, and is free from defects in workmanship and materials during the warranty period.

During the warranty period VGC, or any service company authorized by VGC, will in a commercially reasonable time remedy defects in materials, design, and workmanship free of charge by repairing, or should VGC in its discretion deem it necessary, replacing the product in accordance with this limited warranty. In no event will VGC be responsible for incidental, consequential, or special loss or damage, however caused.

## WARRANTY PERIOD

The product may consist of several parts, each covered by a different warranty period. The warranty periods are:

- Cables, accessories, components, and consumable items have a limited warranty of 90 days.
- Headsets, handsets, microphones, and spare parts have a limited warranty of one year.
- UHF wireless IFB products have a limited warranty of one year.
- UHF wireless intercom systems have a limited warranty of three years.
- All other Clear-Com and Drake brand systems and products, including belt packs, have a limited warranty of two years.

The warranty starts at the time of the product's original purchase. The warranty start date for contracts which include installation and commissioning will commence from the earlier of date of the Site Acceptance Test or three months from purchase.

## TECHNICAL SUPPORT

To ensure complete and timely support to its customers, VGC's User Support Center is staffed by qualified technical personnel. Telephone and email technical support is offered worldwide by the User Support Center.

The User Support Center is available to VGC's customers during the full course of their warranty period.

Instructions for reaching VGC's User Support Centers are given below.

*Return Material Authorization (RMA) numbers are required for all returns.*

*Both warranty and non-warranty repairs are available.*

**Telephone for Europe, Middle East and Africa:** +49 40 6688 4040 or +44 1223 815000

**Telephone for the Americas and Asia:** +1 510 337 6600

**Email:** vitec.support@AVC.de

Once the standard warranty period has expired, the User Support Center will continue to provide telephone support if you have purchased an Extended Warranty.

For latest contact information please refer to the Service and Support section at [www.clearcom.com](http://www.clearcom.com).

## **WARRANTY REPAIRS AND RETURNS**

Before returning equipment for repair, contact a User Support Center to obtain a Return Material Authorization (RMA). VGC representatives will give you instructions and addresses for returning your equipment. You must ship the equipment at your expense, and the support center will return the equipment at VGC's expense.

For out-of-box failures, use the following contact information:

### **Europe, Middle East and Africa**

Tel: +44 1223 815000 Email: SalesSupportEMEA@vitecgroup.com

### **North America, Canada, Mexico, Caribbean & US Military**

Tel: +1 510 337 6600 Email: SalesSupportUSA@vitecgroup.com

### **Asia Pacific & South America**

Tel: +1 510 337 6600 Email: SalesSupportAPAC@vitecgroup.com

VGC has the right to inspect the equipment and/or installation or relevant packaging.

For latest contact information please refer to the Service and Support section at [www.clearcom.com](http://www.clearcom.com).

## **NON-WARRANTY REPAIRS AND RETURNS**

For items not under warranty, you must obtain an RMA by contacting the User Support Center. VGC representatives will give you instructions and addresses for returning your equipment.

You must pay all charges to have the equipment shipped to the support center and returned to you, in addition to the costs of the repair.

## **EXTENDED WARRANTY**

You can purchase an extended warranty at the time of purchase or at any time during the first two years of ownership of the product. The

purchase of an extended warranty extends to five years the warranty of any product offered with a standard two-year warranty. The total warranty period will not extend beyond five years.

**Note:** VGC does not offer warranty extensions on UHF wireless intercom systems, or on any product with a 1-year or 90-day warranty.

## LIABILITY

THE FOREGOING WARRANTY IS VGC'S SOLE AND EXCLUSIVE WARRANTY. THE IMPLIED WARRANTY OF MERCHANTABILITY AND FITNESS FOR A PARTICULAR PURPOSE AND ANY OTHER REQUIRED IMPLIED WARRANTY SHALL EXPIRE AT THE END OF THE WARRANTY PERIOD. THERE ARE NO OTHER WARRANTIES (INCLUDING WITHOUT LIMITATION WARRANTIES FOR CONSUMABLES AND OTHER SUPPLIES) OF ANY NATURE WHATSOEVER, WHETHER ARISING IN CONTRACT, TORT, NEGLIGENCE OF ANY DEGREE, STRICT LIABILITY OR OTHERWISE, WITH RESPECT TO THE PRODUCTS OR ANY PART THEREOF DELIVERED HEREUNDER, OR FOR ANY DAMAGES AND/OR LOSSES (INCLUDING LOSS OF USE, REVENUE, AND/OR PROFITS). SOME STATES DO NOT ALLOW THE EXCLUSION OR LIMITATION OF INCIDENTAL OR CONSEQUENTIAL DAMAGES OR THE LIMITATION ON HOW LONG AN IMPLIED WARRANTY LASTS, SO THE ABOVE LIMITATIONS MAY NOT APPLY TO YOU. IN ANY EVENT, TO THE MAXIMUM EXTENT PERMITTED UNDER APPLICABLE LAW, VGC'S LIABILITY TO CUSTOMER HEREUNDER SHALL NOT UNDER ANY CIRCUMSTANCES EXCEED THE COST OF REPAIRING OR REPLACING ANY PART(S) FOUND TO BE DEFECTIVE WITHIN THE WARRANTY PERIOD AS AFORESAID.

This warranty does not cover any damage to a product resulting from cause other than part defect and malfunction. The VGC warranty does not cover any defect, malfunction, or failure caused beyond the control of VGC, including unreasonable or negligent operation, abuse, accident, failure to follow instructions in the manual, defective or improperly associated equipment, attempts at modification and repair not approved by VGC, and shipping damage. Products with their serial numbers removed or defaced are not covered by this warranty.

This warranty does not include defects arising from installation (when not performed by VGC), lightning, power outages and fluctuations, air conditioning failure, improper integration with non-approved components, defects or failures of customer furnished components resulting in damage to VGC provided product.

This limited warranty is not transferable and cannot be enforced by anyone other than the original consumer purchaser.

This warranty gives you specific legal rights and you may have other rights which vary from country to country.

