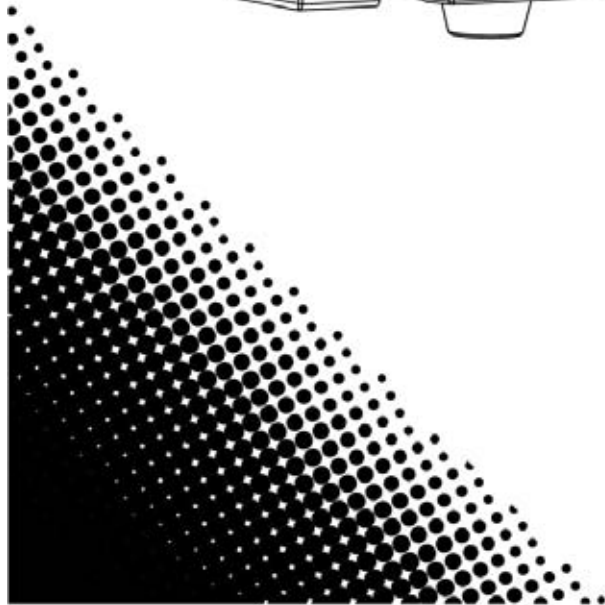
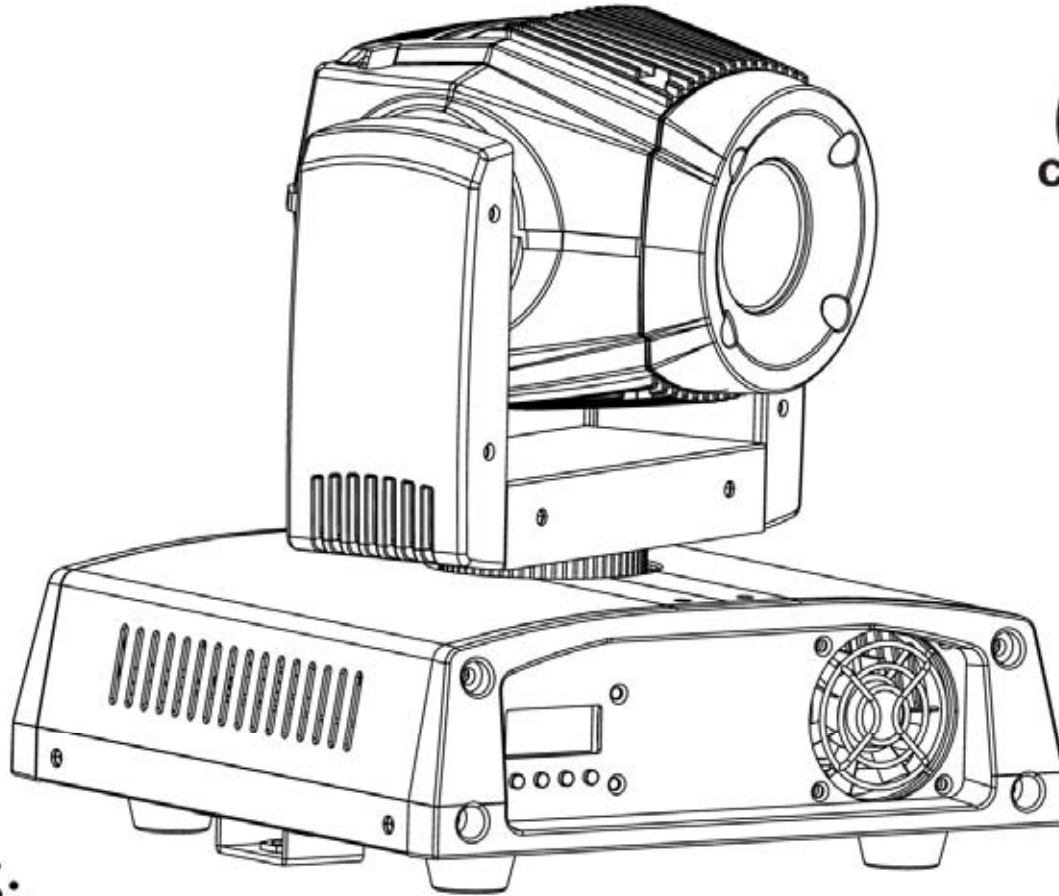


# INTIMIDATOR™ WASH LED 150

## User Manual



**CHAUVET®**  
Value • Innovation • Performance

*It's Green Thinking*

# TABLE OF CONTENTS

<b>1. Before you Begin .....</b>	<b>3</b>
What is Included.....	3
Unpacking Instructions.....	3
Text Conventions .....	3
Icons.....	3
Safety Notes.....	4
<b>2. Introduction .....</b>	<b>5</b>
Product Overview.....	5
Product Dimensions .....	6
<b>3. Setup .....</b>	<b>7</b>
AC Power .....	7
Mounting .....	8
<b>4. Operation .....</b>	<b>9</b>
Control Panel Operation.....	9
Menu Map .....	9
Menu Map (hidden).....	10
Configuration (DMX) .....	11
Configuration (Standalone Modes) .....	11
DMX Channel Assignments and Values .....	13
<b>5. Technical Information.....</b>	<b>15</b>
General Maintenance.....	15
General Troubleshooting .....	16
Returns Procedure .....	17
Claims .....	17
Contact Information.....	17
DMX Primer.....	18
<b>6. Technical Specifications .....</b>	<b>20</b>

## Document Information

The information and specifications contained in this document are subject to change without notice. CHAUVET® assumes no responsibility or liability for any errors or omissions that may appear in this manual.

© Copyright 2011 CHAUVET®. All rights reserved

Printed in P.R.C.

Electronically published by CHAUVET® in the United States of America

Author	Editor
A. Chiappone	R. Jones

# 1. BEFORE YOU BEGIN

## What is Included

- 1 x Intimidator™ Wash LED 150
- 1 x Mounting Bracket
- 2 x Mounting Bolts
- 1 x Safety Eyebolt
- 1 x Power Cord
- 1 x Warranty Card
- 1 x User Manual

## Unpacking Instructions




Immediately upon receiving this product, carefully unpack it and check the container in which you received it. Make sure that you have received all the parts indicated above and that they are all in good condition. If the material inside the container (this product and any other accessory included with it) appears damaged from shipping, or if the container shows signs of mishandling, notify the shipper immediately. In addition, retain the container and all the packing material for inspection.

See the *Claims* section in the “*Technical Information*” chapter.

## Text Conventions

Convention	Meaning
<Menu>	A key to be pressed on the fixture’s control panel
1~512	A range of values
50/60	A set of values of which only one can be chosen
<b>Settings</b>	A menu option not to be modified (for example, showing the operating mode/current status)
<b>Menu &gt; Settings</b>	A sequence of menu options to be followed
<b>ON</b>	A value to be entered or selected

## Icons

Icon	Meaning
	This paragraph contains critical installation, configuration, or operation information. Failure to comply with this information may render the fixture partially or completely inoperative, cause damage to the fixture, or cause harm to the user.
	This paragraph contains important installation or configuration information. Failure to comply with this information may prevent the fixture from functioning correctly.
	This paragraph reminds you of useful, although not critical, information.

## Product at a Glance

Internal dimmer	✓	Auto Programs	✓
Outdoor Use	⊘	Auto-ranging Power Supply	✓
Sound Activated	✓	Replaceable Fuse	✓
DMX	✓	User Serviceable	⊘
Master/Slave	✓	Duty Cycle	⊘

---

## Safety Notes



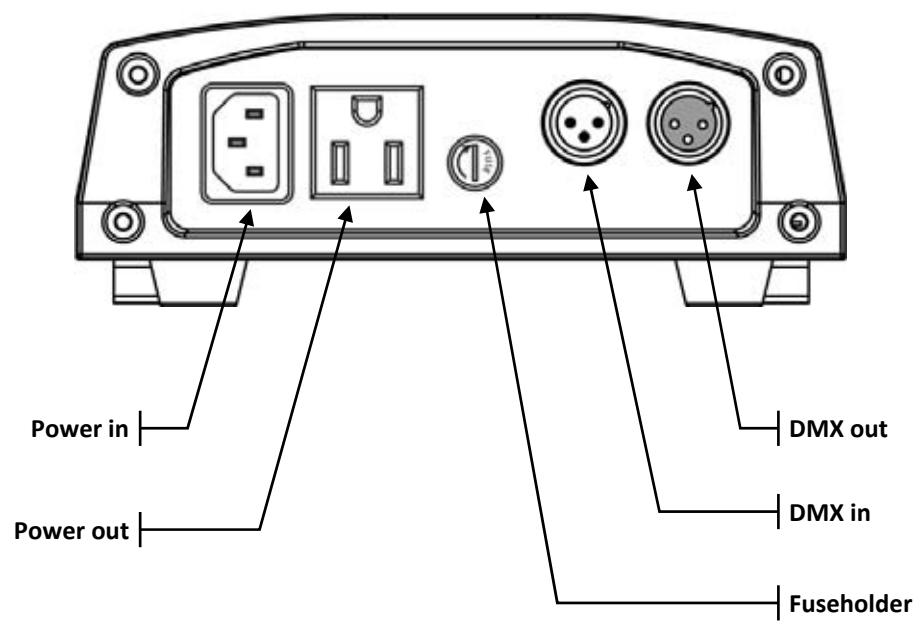
**Please read the following notes carefully because they include important safety information about the installation, usage, and maintenance of this product.**

- Keep this User Manual for future consultation. If you sell this product to another user, be sure that they also receive this document.
- Always make sure that the voltage of the outlet to which you are connecting this product is within the range stated on the decal or rear panel of the fixture.
- This product is for indoor use only! To prevent risk of fire or shock, do not expose this fixture to rain or moisture.
- This product is for indoor use. Do not submerge this product.
- Make sure there are no flammable materials close to the unit while operating.
- Always install this product in a location with adequate ventilation, at least 20 in (50 cm) from adjacent surfaces.
- Be sure that no ventilation slots on the unit's housing are blocked.
- Always disconnect this product from the power source before cleaning it or replacing the fuse.
- Make sure to replace the fuse with another of the same type and rating.
- If mounting this product overhead, always secure it to a fastening device using a safety cable.
- The maximum ambient temperature (Ta) is 104° F (40° C). Do not operate this product at higher temperatures.
- In the event of a serious operating problem, stop using the unit immediately.
- Never try to repair this product. Repairs carried out by unskilled people can lead to damage or malfunction. Please contact the nearest authorized technical assistance center.
- Never connect this product to a dimmer pack.
- Make sure the power cord is not crimped or damaged.
- Never disconnect the power cord by pulling or tugging on the cord.
- Never carry a fixture from the power cord or any moving part. Always use the hanging/mounting bracket or the handles.
- Always avoid direct eye exposure to the light source when this fixture is on.

---

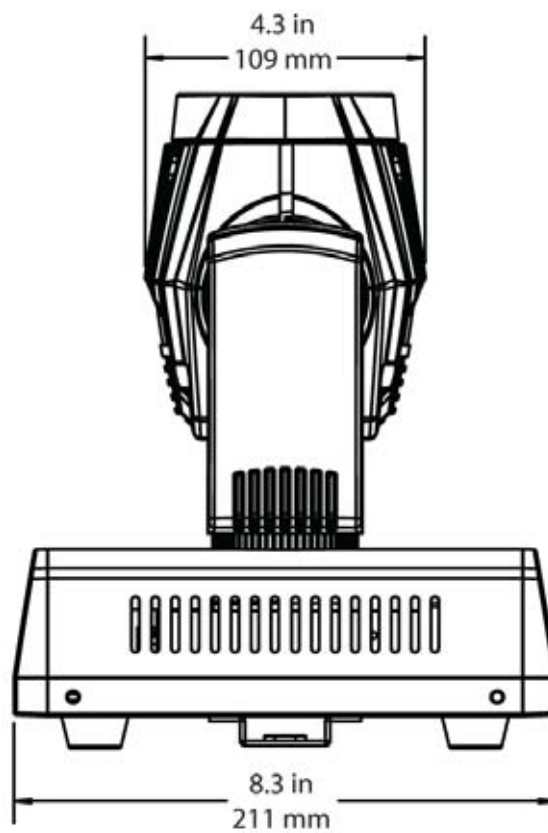
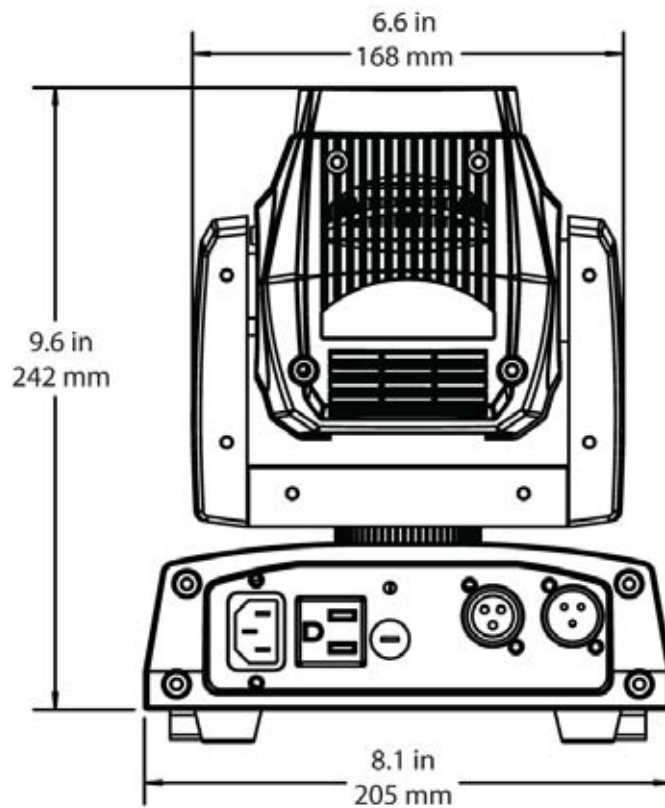
## 2. INTRODUCTION

### Product Overview



---

## Product Dimensions



# 3. SETUP

## AC Power

This product has an auto-ranging power supply and it can work with an input voltage range of 100–240 VAC, 50/60 Hz.

To determine the power requirements for a particular fixture, see the label affixed to the back plate of the fixture or refer to the fixture's specifications chart. A fixture's listed current rating indicates its average current draw under normal conditions.



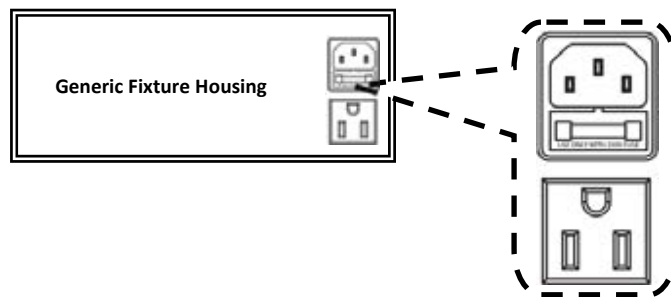
**Always connect this product to a protected circuit (circuit breaker or fuse), making sure that it has an appropriate electrical ground to avoid the risk of electrocution or fire.**



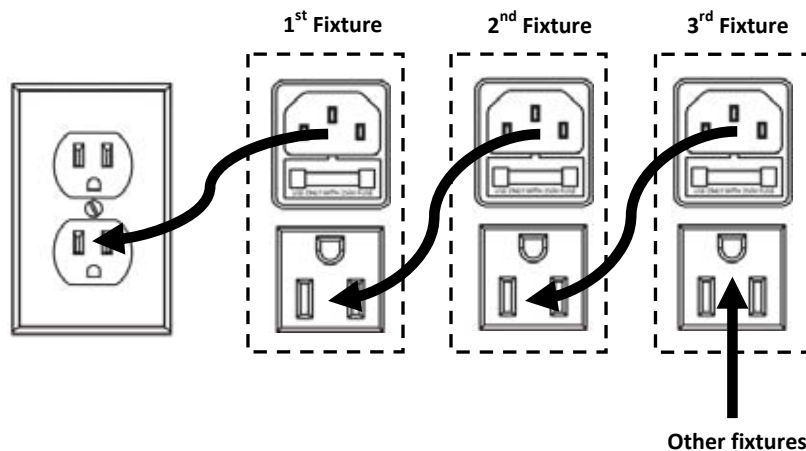
**Never connect this product to a rheostat (variable resistor) or dimmer circuit, even if the rheostat or dimmer channel serves only as a 0 to 100% switch.**

### Power Linking

This fixture provides power linking via the Edison outlet located in the back of the unit. Please see the diagram below for further explanation.



Power Linking Diagram



**You can power link up to 12 Intimidator™ Wash LED 150 units on 120 VAC or up to 21 Intimidator™ Wash LED 150 units on 230 VAC.**



**The power linking diagram shown above corresponds to the North American version of this product ONLY! If using this product in other markets, you must consult with the local CHAUVET® distributor as power linking connectors and requirements may differ in your country or region.**

---

## Mounting

### Orientation

The Intimidator™ Wash LED 150 may be mounted in any position, provided there is adequate room for ventilation around it.

### Rigging

Be sure that the structure onto which you are mounting this product can support its weight. Please see the “Technical Specifications” section of this manual for weight information.

Make sure to mount the fixture securely to a rigging point, whether an elevated platform or a truss.

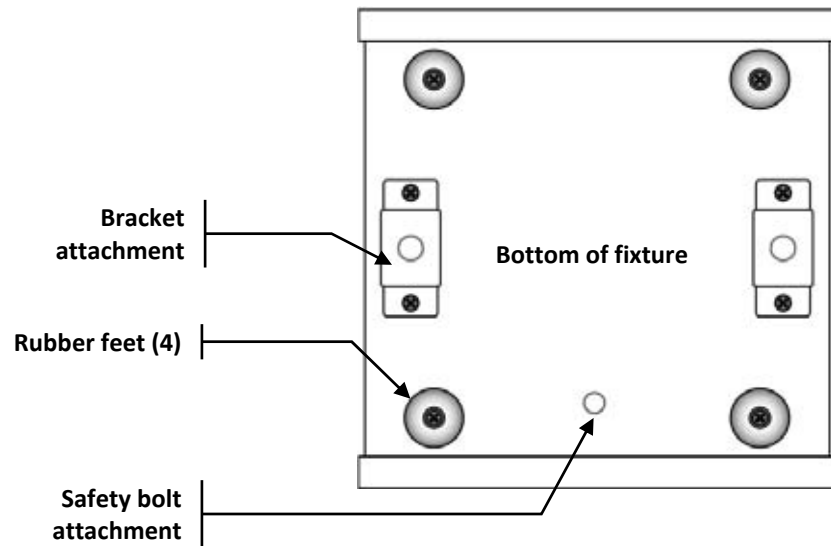
When rigging this product onto a truss, you should use a mounting clamp of appropriate weight capacity. The bracket has a 13 mm hole, which is appropriate for this purpose.

When mounting this product overhead, always use a safety cable.

Before deciding on a location for this product, always make sure that it will be easy to access the unit for maintenance and programming purposes.

When power linking multiple fixtures, you must always consider the length of the power linking cable and mount the fixtures close enough for the cable to reach them.

Mounting Diagram



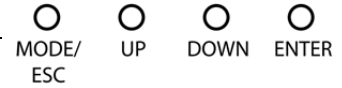
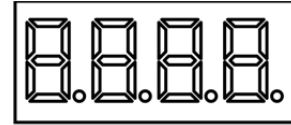


# 4. OPERATION

## Control Panel Operation

To access the control panel functions, use the four buttons located underneath the display.

Button	Function
<MODE/ESC>	Press to find an operation mode or to back out of the current menu option
<UP>	Press to scroll down the list of options or to find a higher value
<DOWN>	Press to scroll up the list of options or to find a lower value
<ENTER>	Press to activate a menu option or a selected value



## Menu Map

Mode	Programming Steps		Description
<i>DMX Mode</i>	<i>d***</i>	<i>d001-512</i>	Selects the DMX starting address
<i>Operating Mode</i>	<i>NASL</i>	<i>SLoU</i>	Automatic slow
	<i>NAFA</i>	<i>FASt</i>	Automatic fast
	<i>NStS</i>	<i>SrUn</i>	Sound-active mode
	<i>SLAU</i>	<i>SonU</i>	Slave mode
<i>Pan Invert</i>	<i>Standard pan</i>	<i>PAN</i>	Reverse the pan direction
	<i>Inverted pan</i>	<i>rPAN</i>	
<i>Tilt Invert</i>	<i>Standard tilt</i>	<i>tit</i>	Reverse the tilt direction
	<i>Inverted tilt</i>	<i>rtit</i>	
<i>Display Invert</i>	<i>Standard display</i>	<i>dis</i>	Use this function for hanging the product upside down
	<i>Inverted display</i>	<i>rdis</i>	
<i>Personality</i>	<i>Advanced</i>	<i>15CH</i>	Select the DMX personality
	<i>Basic</i>	<i>6CH</i>	
<i>Pan Range</i>	<i>Pan 540°</i>	<i>PA54</i>	Select the maximum pan range
	<i>Pan 360°</i>	<i>PA36</i>	
	<i>Pan 180°</i>	<i>PA18</i>	
<i>Tilt Range</i>	<i>Tilt 270°</i>	<i>ti27</i>	Select the maximum tilt range
	<i>Tilt 180°</i>	<i>ti18</i>	
	<i>Tilt 90°</i>	<i>ti 9</i>	
<i>Reset</i>	<i>System reset</i>	<i>rESt</i>	Reset all motors
<i>Load Factory Defaults</i>	<i>Load default</i>	<i>LoAd</i>	Use this to revert all settings for the fixture back to the factory-defaults values

---

## Hidden Menu Map

This fixture has a hidden menu. The purpose of this menu is to adjust the home position (electronic adjustment) of the attributes listed below.

Mode	Programming Steps		Description
<i>Pan adjustment</i>	<i>P***</i>	<b>P000~255</b>	Adjust the pan home position
<i>Tilt adjustment</i>	<i>t***</i>	<b>t000~255</b>	Adjust the tilt home position

### ***Accessing the Hidden Menu Map***

- 1) Press and hold **<MODE/ESC>** for at least 10 seconds.
- 2) Use **<UP>** or **<DOWN>** to input the following access code: **2323**.
- 3) Press **<ENTER>**.

---

## Configuration (DMX)

Set this product in DMX mode to control it with a DMX controller.

- 1) Connect this product to a suitable power outlet.
- 2) Turn this product on.
- 3) Connect a DMX cable from the DMX output of the DMX controller to the DMX input socket of this product.

### Starting Address

When selecting a starting DMX address, always consider the number of DMX channels the selected DMX mode uses. If you choose a starting address that is too high, you could restrict the access to some of the fixture's channels.

The Intimidator™ Wash LED 150 uses up to 15 DMX channels in the advanced personality, which defines the highest configurable address to 497.

If you are not familiar with the DMX protocol, you may refer to the "DMX Primer" section in the "Technical Information" chapter.

To select the starting address, do the following:

- 1) Press **<MODE/ESC>** repeatedly until **d\*\*\*** shows on the display.
- 2) Press **<ENTER>**.
- 3) Use **<UP>** or **<DOWN>** to select the starting address.
- 4) Press **<ENTER>**.

## Configuration (Standalone Modes)

Set this product in one of the standalone modes to control it without a DMX controller.

- 1) Connect this product to a suitable power outlet.
- 2) Turn this product on.

### Sound Active Mode

To enable the Sound Active mode, do the following:

- 1) Press **<MODE/ESC>** repeatedly until one of the following shows on the display:  
**NASL, NAFA, NStS, SLAU.**
- 2) Use **<UP>** or **<DOWN>** to select **NStS**.
- 3) Turn the music on.
- 4) Press **<ENTER>**.



The fixture will only respond to the low frequencies of the music (bass and drums).

### Automatic Mode



Never connect a fixture that is operating in any standalone mode, whether Static, Automatic, or Sound to a DMX string connected to a DMX controller. This is because fixtures in standalone mode may transmit DMX signals that could interfere with the DMX signals from the controller.

To enable the Automatic Mode, follow the instructions below:

- 1) Press **<MODE/ESC>** repeatedly until one of the following shows on the display:  
**NASL, NAFA, NStS, SLAU.**
- 2) Use **<UP>** or **<DOWN>** to select **NAFA** (fast) or **NASL** (slow).
- 4) Press **<ENTER>**.

---

## Master/Slave Mode

This mode allows a single Intimidator™ Wash LED 150 unit (the “master”) to control the actions of one or more Intimidator™ Wash LED 150 units (the “slaves”) without the need of a DMX controller. The master unit will be set to operate in either Automatic or Sound Active mode, while the slave units will be set to operate in Slave Mode. Once set and connected, the slave units will operate in unison with the master unit.

Configure the units as indicated below.

### Slave units:

- 1) Press **<MODE/ESC>** repeatedly until one of the following shows on the display:  
**NASL, NAFA, NStS, SLAU.**
- 2) Press **<ENTER>** to accept.
- 3) Set the DMX address to “001”, as previously explained.
- 5) Connect the DMX input of the first slave unit to the DMX output of the master unit.
- 6) Connect the DMX input of the subsequent slave units to the DMX output of the previous slave unit.
- 7) Finish setting and connecting all the slave units.

### Master unit:

- 1) Set the master unit to operate in either Automatic or Sound mode, as previously indicated.
- 2) Make the master unit the first unit in the DMX daisy chain.



- **Configure all the slave units before connecting the master unit to the DMX daisy chain.**
- **Never connect a DMX controller to a DMX string configured for Master/Slave operation because it may interfere with the signals from the master unit.**
- **Do not connect more than 31 slave units to the master unit.**

## DMX Channel Assignments and Values

### 15-CH

Channel	Function	Value	Setting
1	Pan	000 ⇔ 255	0~540°
2	Tilt	000 ⇔ 255	0~270°
3	Pan fine	000 ⇔ 255	0~3°
4	Tilt fine	000 ⇔ 255	0~3°
5	Pan/tilt speed	000 ⇔ 255	Fast~slow
6	Shutter	000 ⇔ 003 004 ⇔ 007 008 ⇔ 215 216 ⇔ 255	Blackout Open Strobe (0.5~20 Hz) Open
7	Red	000 ⇔ 255	0~100%
8	Green	000 ⇔ 255	0~100%
9	Blue	000 ⇔ 255	0~100%
10	White	000 ⇔ 255	0~100%
11	Dimmer	000 ⇔ 255	0~100%
12	Color Macro	000 ⇔ 007 008 ⇔ 021 022 ⇔ 035 036 ⇔ 049 050 ⇔ 063 064 ⇔ 077 078 ⇔ 091 092 ⇔ 105 106 ⇔ 119 120 ⇔ 133 134 ⇔ 147 148 ⇔ 161 162 ⇔ 175 176 ⇔ 189 190 ⇔ 203 204 ⇔ 217 218 ⇔ 231 232 ⇔ 255	No function RGBW Red Green Cyan White Macro 1 Macro 2 Macro 3 Macro 4 Macro 5 Macro 6 Macro 7 Macro 8 Macro 9 Macro 10 Macro 11 Moveable macro
13	LED Speed	000 ⇔ 255	Fast~slow
14	Control	000 ⇔ 007 008 ⇔ 027 028 ⇔ 047 048 ⇔ 067 068 ⇔ 087 088 ⇔ 107 108 ⇔ 127 128 ⇔ 147 148 ⇔ 167 168 ⇔ 187 188 ⇔ 207 208 ⇔ 227 228 ⇔ 247 248 ⇔ 255	No function Enable pan/tilt move-in-black Reserved Disable pan/tilt move-in-black Reserved Disable pan/tilt/ move-in-black Reserved Disable move-in-black Reset pan Reset tilt Reserved Reserved Reset all No function
15	Pan/tilt Movement macros	000 ⇔ 007 008 ⇔ 023 024 ⇔ 039 040 ⇔ 055 056 ⇔ 071 072 ⇔ 087 088 ⇔ 103 104 ⇔ 119 120 ⇔ 135 136 ⇔ 151 152 ⇔ 167 168 ⇔ 183 184 ⇔ 199 200 ⇔ 215 216 ⇔ 231 232 ⇔ 247 248 ⇔ 255	No function Automatic movement 1 Automatic movement 2 Automatic movement 3 Automatic movement 4 Automatic movement 5 Automatic movement 6 Automatic movement 7 Automatic movement 8 Sound-active movement 1 Sound-active movement 2 Sound-active movement 3 Sound-active movement 4 Sound-active movement 5 Sound-active movement 6 Sound-active movement 7 Sound-active movement 8

---

## 6-CH

Channel	Function	Value	Setting
1	Pan	000 ⇄ 255	0~540°
2	Tilt	000 ⇄ 255	0~270°
3	Shutter	000 ⇄ 003 004 ⇄ 007 008 ⇄ 215 216 ⇄ 255	Blackout Open Strobe (0.5~20 Hz) Open
4	White	000 ⇄ 255	0~100%
5	Dimmer	000 ⇄ 255	0~100%
6	Color Macro	000 ⇄ 007 008 ⇄ 021 022 ⇄ 035 036 ⇄ 049 050 ⇄ 063 064 ⇄ 077 078 ⇄ 091 092 ⇄ 105 106 ⇄ 119 120 ⇄ 133 134 ⇄ 147 148 ⇄ 161 162 ⇄ 175 176 ⇄ 189 190 ⇄ 203 204 ⇄ 217 218 ⇄ 231 232 ⇄ 255	No function RGBW Red Green Cyan White Macro 1 Macro 2 Macro 3 Macro 4 Macro 5 Macro 6 Macro 7 Macro 8 Macro 9 Macro 10 Macro 11 Moveable macro

---

## 5. TECHNICAL INFORMATION

### General Maintenance

Dust build up reduces light output performance and can cause overheating. This can lead to reduction of the light source's life and/or mechanical wear. To maintain optimum performance and minimize wear, you should clean your lighting fixtures at least twice a month. However, be aware that usage and environmental conditions could be contributing factors to increase the cleaning frequency.

To clean this fixture, follow the instructions below:

- Unplug the fixture from power.
- Wait until the fixture is cold.
- Use a vacuum (or dry compressed air) and a soft brush to remove dust collected on the external surface/vents.
- Clean all external optics with a mild soap solution, ammonia-free glass cleaner, or isopropyl alcohol.
- Apply the solution directly to a soft, lint free cotton cloth or a lens cleaning tissue.
- Softly drag any dirt or grime to the outside of the external optics.
- Gently polish the external optics until they are free of haze and lint.



**Always dry the external optics carefully after cleaning them.**



**Do not spin the cooling fans using compressed air because you could damage them.**

## General Troubleshooting

Symptom	Possible Cause	Possible Action
Circuit breaker or fuse keeps blowing	<ul style="list-style-type: none"> <li>Excessive load on the circuit</li> </ul>	<ul style="list-style-type: none"> <li>Make sure that the total load does not exceed 80% of the breaker or fuse nominal current</li> </ul>
	<ul style="list-style-type: none"> <li>Short circuit along the power lines</li> </ul>	<ul style="list-style-type: none"> <li>Check the power lines and power cords</li> </ul>
Product does not power up	<ul style="list-style-type: none"> <li>No energy on power outlet</li> </ul>	<ul style="list-style-type: none"> <li>Check power outlet</li> <li>Change to another outlet</li> </ul>
	<ul style="list-style-type: none"> <li>Loose or damaged power cord</li> </ul>	<ul style="list-style-type: none"> <li>Check the power cord</li> </ul>
	<ul style="list-style-type: none"> <li>Blown fuse</li> </ul>	<ul style="list-style-type: none"> <li>Replace blown fuse with a good one of the same type and rating</li> </ul>
Fixture does not respond to DMX	<ul style="list-style-type: none"> <li>Internal problem</li> </ul>	<ul style="list-style-type: none"> <li>Send product for repair</li> </ul>
	<ul style="list-style-type: none"> <li>Wrong starting address on the fixture</li> </ul>	<ul style="list-style-type: none"> <li>Set the correct starting address on the fixture</li> <li>Use the right fader(s) on the controller</li> </ul>
	<ul style="list-style-type: none"> <li>Wrong DMX personality on the fixture</li> </ul>	<ul style="list-style-type: none"> <li>Set the correct DMX fixture's personality</li> <li>Assign the faders accordingly</li> </ul>
	<ul style="list-style-type: none"> <li>Wrong operating mode set on the fixture</li> </ul>	<ul style="list-style-type: none"> <li>Change the fixture settings</li> </ul>
	<ul style="list-style-type: none"> <li>Loose or damaged DMX cable</li> </ul>	<ul style="list-style-type: none"> <li>Check the DMX cable before the faulty unit</li> </ul>
Intermittent DMX Problems	<ul style="list-style-type: none"> <li>Internal problem</li> </ul>	<ul style="list-style-type: none"> <li>Send product for repair</li> </ul>
	<ul style="list-style-type: none"> <li>Signal cables are not DMX compatible</li> </ul>	<ul style="list-style-type: none"> <li>Replace non DMX cables with true DMX cables</li> </ul>
	<ul style="list-style-type: none"> <li>Interference with AC or radio signals</li> </ul>	<ul style="list-style-type: none"> <li>Keep DMX cables away from AC wires or radio equipment</li> </ul>
	<ul style="list-style-type: none"> <li>DMX cable too long</li> </ul>	<ul style="list-style-type: none"> <li>Install an optically coupled DMX amplifier right before the fixture with intermittent problems</li> </ul>
	<ul style="list-style-type: none"> <li>Too many fixtures connected</li> </ul>	<ul style="list-style-type: none"> <li>Install an optically coupled DMX amplifier after unit #32</li> </ul>
<ul style="list-style-type: none"> <li>Terminator not connected</li> </ul>	<ul style="list-style-type: none"> <li>Install a terminator, as indicated in the "DMX Primer" section.</li> </ul>	



**If you still experience problems after trying the above solutions, contact CHAUVET® Technical Support.**



---

## Returns Procedure

The user must send the merchandise prepaid, in the original box, and with its original packing and accessories. CHAUVET® will not issue call tags.

Call CHAUVET® and request a Return Merchandise Authorization (RMA) number before shipping the fixture. Be prepared to provide the model number, serial number, and a brief description of the cause for the return.

The user must clearly label the package with the assigned Return Merchandise Authorization number. CHAUVET® will refuse any product returned without an RMA number.



**DO NOT write the RMA number directly on the box. Instead, write it on a properly affixed label.**

Once you have received the RMA number, please include the following information on a piece of paper inside the box:

- Your name
- Your address
- Your phone number
- The RMA number
- A brief description of the problem

Be sure to pack the fixture properly. Any shipping damage resulting from inadequate packaging will be the customer's responsibility. As a suggestion, proper UPS packing or double-boxing is always a safe method to use.



**CHAUVET® reserves the right to use its own discretion to repair or replace returned product(s).**

## Claims

The carrier is responsible for any damage incurred during shipping to this product or any part that shipped with it. Therefore, if the received merchandise appears to have damages caused during shipping, the customer must submit the damage report and any related claims with the carrier, not CHAUVET®. The customer must submit the report upon reception of the damaged merchandise. Failure to do so in a timely manner may invalidate the customer's claim with the carrier.

For other issues such as missing components or parts, damage not related to shipping, or concealed damage, the customer must make claims to CHAUVET® within seven (7) days of receiving the merchandise.

## Contact Information

### World Headquarters

CHAUVET®

#### General Information

Address: 5200 NW 108th Avenue  
Sunrise, FL 33351  
Voice: (954) 929-1115  
Fax: (954) 929-5560  
Toll free: (800) 762-1084

#### Technical Support

Voice: (954) 929-1115 (Press 4)  
Fax: (954) 756-8015  
Email: tech@chauvetlighting.com

#### World Wide Web

[www.chauvetlighting.com](http://www.chauvetlighting.com)

### United Kingdom & Ireland

CHAUVET® Europe Ltd.

#### General Information

Address: Unit 1C  
Brookhill Road Industrial Estate  
Pinxton, Nottingham, UK  
NG16 6NT  
Voice: +44 (0)1773 511115  
Fax: +44 (0)1773 511110

#### Technical Support

Email: [uktech@chauvetlighting.com](mailto:uktech@chauvetlighting.com)

#### World Wide Web

[www.chauvetlighting.co.uk](http://www.chauvetlighting.co.uk)

---

## DMX Primer

The USITT DMX512-A data transmission protocol (DMX, from now on) is based on the EIA-485 standard and it has 512 channels (001 to 512). This system requires a controller (DMX controller), one or more DMX compatible fixtures, and a DMX circuit (also known as “DMX universe”) to link the fixtures to the controller.

Depending on their complexity and features, DMX compatible fixtures may require from one to more than 30 DMX channels to operate. Some DMX fixtures have multiple operation modes (also known as “personalities”), each with its own number of channels and controllable parameters.

### Starting Address

In the DMX system, the controller sends DMX data to each fixture based on the fixture’s starting address. The starting address is the number of the DMX channel (001 to 512) assigned to the fixture’s first control channel (Channel 1). When assigning starting addresses to multiple fixtures, it is critical to ensure that no starting address is already in use by another fixture to prevent channels from overlapping. Otherwise, the affected fixtures may operate erratically.

For instance, a user has two DMX compatible fixtures. Fixture “A” has four channels and fixture “B” has six channels. If the user configures the starting address of fixture “A” to “001”, channels 001 through 004 on the DMX controller will control fixture “A”. This means that the user should assign the starting address of fixture “B” to “005” or higher. For a starting address of “005”, the DMX controller would use channels 005 to 010 to control fixture “B”.

It is possible to control multiple fixtures of the same type by assigning each one of them the same starting address. In this case, all the fixtures would respond in unison (synchronized) to the signals from the DMX controller.

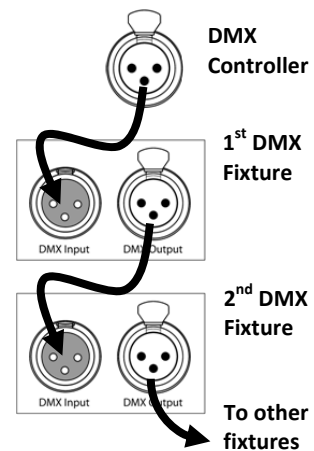
### Fixture Linking (Daisy Chain)

DMX compatible fixtures receive the control signals from the DMX controller through the DMX cables. Each fixture has a DMX In and a DMX Out connector. The figure to the right illustrates how the fixtures link to each other using multiple segments of DMX cable in a sequential format called “daisy chain”.

The order in which the fixtures connect to the DMX controller is irrelevant because all fixtures receive the same DMX signals and they only respond to them based on their individual starting addresses. However, it is important to notice that the connections between fixtures should always be as short and direct as possible.

To ensure the integrity of the DMX signal, follow the recommendations of the EIA-485 standard:

- The maximum recommended cable length is 500 m (1,640 feet).
- The maximum recommended number of fixtures on the same daisy chain is 32.



**Connecting more than 32 fixtures on one daisy chain without the use of a DMX optically-isolated splitter may result in deterioration of the digital DMX signal.**

## DMX Cabling

The DMX protocol requires using special data cables to accommodate for the high speed digital signals it uses. Despite their apparent similarities, data cables are electrically different from standard microphone cables because they can carry high frequency digital signals and have better protection against electromagnetic interference. You can purchase CHAUVET® certified DMX cables directly from a dealer/distributor or make your own DMX cable.

If you choose to make your own DMX cable, you must use a data-grade cable such as the Belden 9841, which has the following electrical characteristics:

Type:	shielded, 2-conductor twisted pair
Maximum capacitance between conductors:	30 pF/ft
Maximum capacitance between conductor and shield:	55 pF/ft
Maximum resistance:	20 ohms/1000 ft
Nominal impedance:	100~140 ohms

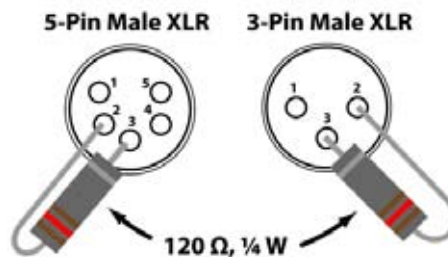
### DMX Connectors

Each DMX cable must have a male XLR connector on one end and a female XLR connector on the other end. The DMX protocol indicates that the XLR connectors must have five pins. However, most lighting fixtures use the 3-pin XLR connector. The pin assignment of the 3-pin and 5-pin XLR connectors in a DMX cable is as follows:

Signal	Male Plug		Female Plug		
	3-Pin	5-Pin	5-Pin	3-Pin	Signal
Common	1	1	1	1	Common
Data -	2	2	2	2	Data -
Data +	3	3	3	3	Data +
Not used		4	4		Not used
Not used		5	5		Not used

You can use the above table to create a 3-pin/3-pin cable, a 5-pin/5-pin cable, or a 3-pin to 5-pin adapter.

The DMX daisy chain uses a terminator to reduce signal transmission problems, especially with long cables. The terminator consists of either a 3-pin or 5-pin XLR male plug with a 120 Ω, ¼ W resistor connected to the wire side of pins 2 and 3, as shown below.



The terminator plug connects to the DMX Out socket of the last DMX fixture in the daisy chain.



**Do not allow the common wire of the DMX cable to touch the fixture's chassis ground. This could cause a ground loop, which may affect your fixtures' performance. Test all DMX cables with an ohmmeter to verify the correct polarity of the wires, and to make sure that they are not touching the shield or each other.**

## 6. TECHNICAL SPECIFICATIONS

### Dimensions and Weight

Length	Width	Height	Weight
8.3 in (211 mm)	8.2 in (207 mm)	10.5 in (267 mm)	7.6 lbs (3.4 kg)

**Note:** Dimensions in inches rounded to the nearest decimal digit.

### Power

Power Supply Type	Range	Voltage Selection
Switching (internal)	100~240 V, 50/60 Hz	Auto-ranging

Parameter	120 V, 60 Hz	230 V, 50 Hz (Europe only)
Consumption	67 W (0.9 A)	65 W (0.52 A)

Power I/O	Input	Output
Connectors	IEC	Edison (USA only)
Cord plug	Edison	N/A

### Light Source

Type	Quantity	Lifespan
Quad-color LED (40 W total)	1 (four color dies)	50,000 hours

Color Die	Power	Color Die Drive Current
Red	8.1 W	1.1 A
Green	15.2 W	1.1 A
Blue	11.5 W	1.1 A
White	11.5 W	1.1 A

### Photo Optic

Parameter	Value
Illuminance @ 1 m	2,926 lux
Illuminance @ 2 m	750 lux
Beam angle	22°
Field angle	45°

### Thermal

Maximum External Temp.	Cooling System
104° F (40° C)	Fan cooled

### DMX

I/O Connectors	Connector Type	Channel Range
3-pin XLR	Sockets	6, 15

### Ordering

Item Name	Item Code	Item No.
Intimidator™ Wash LED 150	08010177	INTIMWASHLED150

