

tyco
Electronics



Elo Entuitive Touchcomputer User Guide

Elo Entuitive ESY1525L/ESY1527L Touchcomputer Series

entuitive
Touchmonitors



Revision D

Elo Entuitive Touchmonitor User Guide

15" LCD Desktop Touchcomputer

ESY1525L/ESY1527L Touchcomputer Series



Revision D

P/N 008594

Elo TouchSystems, Inc.

1-800-ELOTOUCH
www.elotouch.com



Copyright © 2004 Elo TouchSystems Inc. All Rights Reserved.

No part of this publication may be reproduced, transmitted, transcribed, stored in a retrieval system, or translated into any language or computer language, in any form or by any means, including, but not limited to, electronic, magnetic, optical, chemical, manual, or otherwise without prior written permission of Elo TouchSystems.

Disclaimer

The information in this document is subject to change without notice. Elo TouchSystems makes no representations or warranties with respect to the contents hereof, and specifically disclaims any implied warranties of merchantability or fitness for a particular purpose. Elo TouchSystems reserves the right to revise this publication and to make changes from time to time in the content hereof without obligation of Elo TouchSystems to notify any person of such revisions or changes.

Trademark Acknowledgments

IntelliTouch, SecureTouch, AccuTouch, Entuitive, and MonitorMouse are trademarks of Elo TouchSystems, Inc.

Other product names mentioned herein may be trademarks or registered trademarks of their respective companies. Elo TouchSystems claims no interest in trademarks other than its own.

Table of Contents

Chapter 1		Chapter 3	
Introduction	1	Safety/Servicing the Touchcomputer	13
Precautions	1	Chapter 4	
About the Product	1	Technical Description	15
Operating System	2	Block Diagram	15
Windows XP Pro and 2000 Pro	2	Computer Specifications	22
Windows CE .Net Ver4.2	2	Processor	22
Customer Display	2	Memory	22
Magnetic Stripe Reader (MSR)	2	Green Function	22
Touchscreen	2	Audio Function	22
Drivers	2	Operating System	22
External Connections and Upgrades	3	Ports	22
External Connections	3	Real Time Clock	23
Wireless Network Capabilities	3	Windows CE.Net Ver4.2 Board Support Package	23
CD/DVD Drives	3	Panel Connectors	23
Wired Network Connections	3	Display	24
Hard Drive for CE.Net Ver4.2	3	Touchscreen Assembly	25
Mouse	3	External 12 VDC Power Supply	25
Keyboard	4	Stand	25
Upgrades and Changes	4	Customer Display	26
Accessory Kit	4	Optical Parameters	26
Models	6	USB MSR	26
Chapter 2		Specifications	27
Touchcomputer Setup	9	Chapter 5	
Initial Turn On and Software Registration	9	Touchcomputer Component Layout	29
Touchcomputer Operating System Setup	9	Touchcomputer Assembly	30
License Agreement	9	Touchcomputer Exploded View	31
Product Key	9	Chapter 6	
Network Settings	9	Components	33
Performing Final Tasks	9	External 12 VDC Power Supply	33
Computer Reboots	10	Memory and Hard Drive Options	33
Testing Pre-installed Devices	10	Windows 2000 Pro and Windows XP Pro	33
Customer Display Testing	10	Windows CE.Net Ver4.2	33
Keyboard Card Reader Testing	10	Cables	34
USB Card Reader Testing	10	External Cables	34
Controls	10	Chapter 7	
Power	11	Environmental Requirements	35
Power and OSD Lock Out	12	Temperature Ranges	35
Technical Assistance	12	Humidity	35
Using the Touchcomputer	12		
Using the Web	12		
Using the Phone	12		

Altitude	35
Warranty	37

Index 39

INTRODUCTION

Congratulations on your purchase of an Elo TouchSystems Entuitive **Touchcomputer**. This manual is to help you operate and maintain the **Touchcomputer**.

Precautions

Follow all warnings, precautions and maintenance as recommended in this user's manual to maximize the life of your unit. See Appendix B for more information on touchmonitor safety.

About the Product

Your LCD Desktop **Touchcomputer** is a 15" XGA TFT color display with the following features:

The **Touchcomputer** consists of a 15 inch LCD monitor and a computer in a package approximately the size of a monitor. The **Touchcomputer** is capable of running Windows CE.Net Ver4.2, Windows 2000 **Pro** and Windows XP **Pro** depending on how the **Touchcomputer** is configured and the options the user selects. The **Touchcomputer** consists of an LCD main display with a touchscreen, a backlight inverter, a touch controller, speakers, and a **mother board**. The **Touchcomputer** also includes an external 12 VDC power Supply, a stand, a chassis and case, and internal and external cables. The **Touchcomputer** provides an optional **Magnetic Stripe** Reader and an optional Customer Display. The **Touchcomputer** does not come with a keyboard or a Mouse, but it does provide external ports to add them. The **Touchcomputer** has on screen touch to use as a

mouse and an on screen keyboard to take the place of an external keyboard. The **Touchcomputer** provides the following options.

Operating System

A selection of operating systems can be made between Windows CE.**Net Ver4.2**, Windows XP **Pro** or Windows 2000 **Pro**.

Windows XP Pro and 2000 Pro

When Windows XP **Pro** and Windows 2000 **Pro** are selected, the **Touchcomputer** will have a 20 GB or greater hard drive and 256 MB of SDRAM. The **Touchcomputer** will boot from the hard drive, which contains the operating system. No compact Flash will be provided.

Windows CE.Net Ver4.2

When Windows CE.**Net Ver4.2** is selected as the operating system, the **Touchcomputer** will boot from the onboard 64MB of compact flash. The **Touchcomputer** will include 256MB of SDRAM. No hard drive will be provided.

Customer Display

An optional serial customer display can be selected. No applications software is provided for the Customer Display. A test program is provided to verify the Customer Display is operating properly.

Magnetic Stripe Reader (MSR)

A USB HID (not available in Windows CE.**Net Ver4.2**) or USB Keyboard Emulation MSR can be selected. No applications software is provided for the MSR. A test program is provided to verify the MSR is operating properly.

Touchscreen

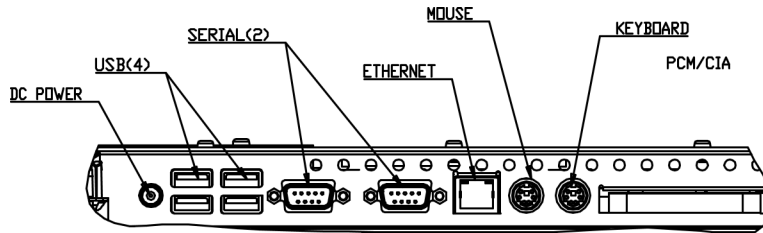
AccuTouch or IntelliTouch touchscreens may be selected with a USB interface. No applications software is provided for the touchscreen. A test program is provided to verify the touchscreen is operating properly.

Drivers

Drivers and test programs will be provided with each system to operate all options selected.

External Connections and Upgrades

The following drawing shows the **Touchcomputer** External connector panel. This panel of connectors is used by the user to make external connections to the **Touchcomputer**. No external connections, other than power, are needed for the **Touchcomputer** to operate.



External Connections

Using these external connections, the following capabilities can be provided to the **Touchcomputer** by the user:

Wireless Network Capabilities

Wireless network capabilities can be provided via a wireless card added to the PCMCIA slot.

CD/DVD Drives

CD/DVD drives can be added using the external USB inputs.

Wired Network Connections

Wired network connections including internet can be made using the Ethernet input.

Hard Drive for CE Version

A hard drive for the CE version of the **Touchcomputer** can be added using the USB inputs or HD can be added internally.

Mouse

A mouse can be added using the mouse port.

Keyboard

- A keyboard can be added using the keyboard port.

Upgrades and Changes

A laptop type hard drive (2.5") can be added internally to the CE version of the **Touchcomputer**.

- SDRAM can be increased from the standard 256 M to 512 M
- Compact Flash can be added (through the compact flash door in the back of the **Touchcomputer**) to the **Touchcomputer** on Windows XP **Pro** and Windows 2000 **Pro Touchcomputers**.
- Customer Displays and Magnetic Stripe Readers can added to any **Touchcomputer**.
- Operating System changes between Windows XP **Pro** and Windows 2000 **Pro** can be made by loading the proper operating system on the internal hard drive.
- Operating system changes between either Windows 2000 **Pro** and Windows XP **Pro** to Windows CE.**Net Ver4.2** can be made by adding Compact Flash with the appropriate image and booting from the compact flash.
- Operating system changes from Windows CE.**Net Ver4.2** to either Windows XP **Pro** or Windows 2000 **Pro** can be made by adding an internal or external hard drive with the new operating system loaded.

Accessory Kit

An accessory kit will be provided with each monitor. The accessory kit provides the following:

- Touch Tool CD-The touchtool CD contains the drivers and manual for EloTouch touchscreen products. The touch drivers will come loaded with the **Touchcomputer**. These drivers are provided if the operating system needs to be reloaded.
- **Touchcomputer** CD-The **Touchcomputer** CD contains the drivers for devices used with the **Touchcomputer**, a copy of the **Touchcomputer** Users Guide, test programs to test the **Touchcomputer**, a copy of the My-T-Touch software, a copy of the Windows CE.**Net Ver4.2** image. These are only needed if the operating system needs to be reloaded. A Board support Package (BSP) for Windows CE.**Net Ver4.2** is included for creating customers own image. See the **BSP notes** and directions on the CD. See section 4.2.8 for a description of the **BSP**.
- Quick Install Guide-Shows pictorially how to operate the **Touchcomputer**.

- US Power Cable
- European Power Cable
- Power Brick
- Applicable Operating System CD
- Windows 2000 **Pro**
- Windows XP **Pro**
- No CD is provided for Windows CE.**Net Ver4.2** (but the image is on the **Touchcomputer** CD.)
- No serial or USB cables are provided

Models

The **Touchcomputer** is available in the following models. A key at the end of the model list explains the options.

E08919-000	ESY1525L-7UWA-1-CE
F00839-000	ESY1525L-7UWA-1-CE-C1
C63175-000	ESY1525L-8UWA-1-CE
E73369-000	ESY1525L-8UWA-1-CE-M3
E36798-000	ESY1525L-8UWA-1-CE-C1
A78783-000	ESY1525L-8UWA-1-CE-M3C1
C32392-000	ESY1525L-7UWA-1-XP
A82367-000	ESY1525L-7UWA-1-XP-C1
D37281-000	ESY1525L-8UWA-1-XP
D58125-000	ESY1525L-8UWA-1-XP-M2
D61906-000	ESY1525L-8UWA-1-XP-M3
C94408-000	ESY1525L-8UWA-1-XP-M2C1
E21843-000	ESY1525L-8UWA-1-XP-M3C1
F95046-000	ESY1525L-7UWA-1-2K
A88088-000	ESY1525L-7UWA-1-2K-C1
C04515-000	ESY1525L-8UWA-1-2K
F84197-000	ESY1525L-8UWA-1-2K-M2
C48832-000	ESY1525L-8UWA-1-2K-M3
A84590-000	ESY1525L-8UWA-1-2K-M2C1
F83851-000	ESY1525L-8UWA-1-2K-M3C1

Key

PIP Description Key

ESY = Elo System

15 = 15 Inch Display

25 = Desktop cabinetry (In grey plastics only)

L = LCD

7 = AccuTouch

8 = IntelliTouch

S = Serial controller

U = USB controller

W = Worldwide agencies

A = Revision number

1 = Antiglare glass

Mx = MSR unit

x = 2 = MSR USB HID

x = 3 = MSR USB Keyboard Emulation

Cx = Customer Display

x = 1 = Serial Customer Display

CE = Windows CE.Net 4.2 Pro+

Xp = Windows Xp Pro

2K = Windows 2000 Pro

Touchcomputer SETUP

Initial Turn On and Software Registration

Touchcomputer Operating System Setup

The initial setup of the Windows operating system takes approximately 5-10 minutes. Additional time may be needed depending on computers hardware configuration and connected devices. To setup the Windows OS for you computer, turn on your computer and follow the instructions on the screen. The **Touchcomputer** should be connected to a network providing an internet connection. It is possible to register Windows over the telephone.

License Agreement

- Click “I accept this agreement”
- Click “Next”

Product Key

- Type in the 25 character product code located on the back of the unit.
- Click “Next”

Network Settings

- Wait for windows to configure network settings.

Performing Final Tasks

- Wait for windows to configure network settings.

Computer Reboots

- Wait for computer to reboot and finally boot up to the desktop.

Testing Pre-installed Devices

Touchcomputer come pre installed with several different hardware options. To test these options, click on the following icons on the Windows toolbar on the bottom right of the computer. You may also use the desktop icons.

Customer Display Testing

- Click on the “CD” icon.
- The customer display should change, now displaying the text “Elo TouchSystems Customer Display”.

Keyboard Card Reader Testing

- Click on the “KCR” icon.
- Click on scan button
- Scan a credit card ensure data scanned correctly by seeing applicable information on all three tracks from the credit card.

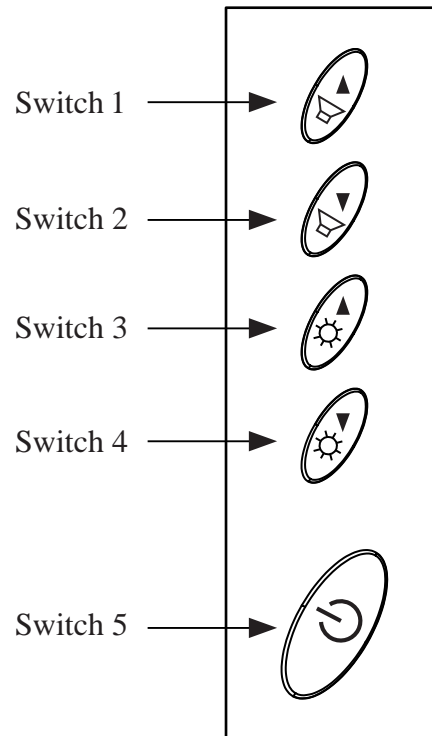
USB Card Reader Testing

- Click on the “UCR” icon
- Click on scan button
- Scan a credit card ensure data scanned correctly by seeing applicable information on all three tracks from the credit card.

Controls

There are two controls to operate the **Touchcomputer**. There is a brightness control and a volume control. To increase the brightness, press **switch 3**. To decrease brightness, press **switch 4**. To **increase the volume**, press **switch 1**. To decrease volume, press **switch 2**.

Touchcomputer Controls



Power

To turn power off, **press and hold switch 5**. To turn on **press and hold switch 5 then shut down**. To do a **hard shutdown**, **press and hold switch 5**. To turn power on, **press the power button once**.

Power and OSD Lock Out

Normally the 5 switches on the side of the monitor depicted in the figure in the controls section control power, brightness and volume. The power switch can be made not to operate by activating the power lockout function. The brightness and volume adjustment can be made not to operate by activating the OSD lockout function. The OSD lockout function can be activate by simultaneously pressing Switch 1 and Switch 2. The power lockout function can be activated by simultaneously pressing Switch 1 and Switch 3. When the switches are pressed, OSD lock or power lock will appear. The power lockout state can be set by releasing Switch 1 and Switch 3 in the desired state of power lock or power unlock.

The OSD lockout state can be set by releasing Switch 1 and 2 in the desired state of OSD lock or OSD unlock.

Technical Assistance

There are three methods to obtain contact information for technical assistance on the **Touchcomputer**.

- **Touchcomputer** itself
- the Web
- telephone

These methods are described below.

Using the Touchcomputer

You can access the support information by going to the System Properties and clicking on the “Support Information” button. You can get to get to System Properties by either of the following methods:

- Right click “My Computer” and choose “Properties”
- Click on the “Start Button” and select “control panel” and double click on the “System” icon.

Using the Web

www.elotouch.com/support/default.asp

Using the Phone

Call toll-free 1-800-557-1458

SAFETY/SERVICING THE Touchcomputer

When servicing the computer perform the following:

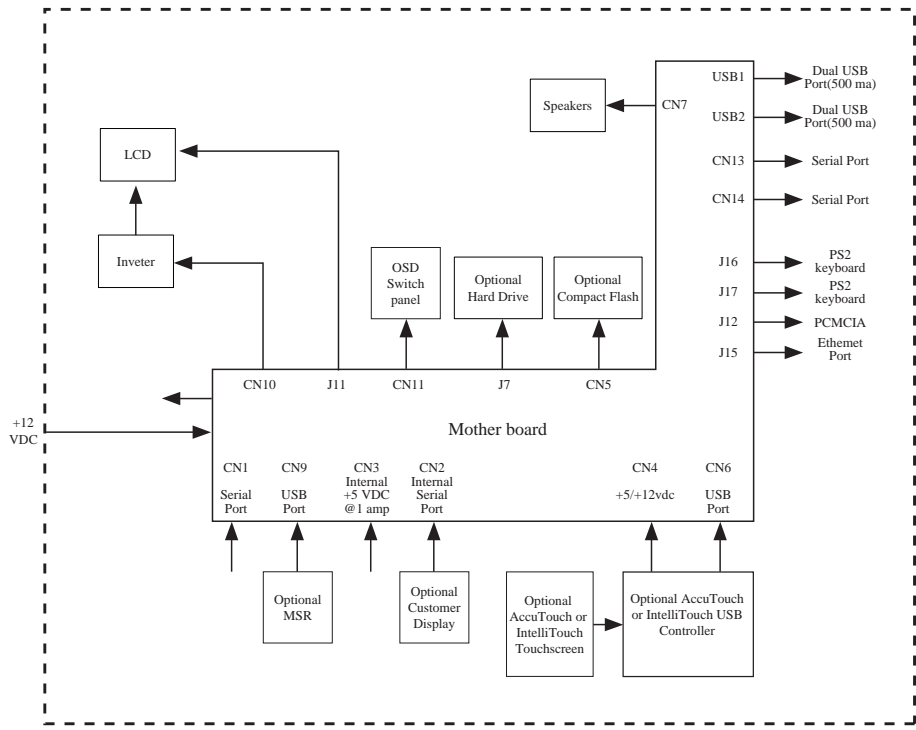
- Perform an orderly shutdown using the operating system menu.
- Shut down the **Touchcomputer** and remove all external cables.
- When opening the **Touchcomputer**, periodically touch any metal parts of the **Touchcomputer**, such as metal portions of the case or connector shells on the monitor.
- Handle components and cards with care. Do not touch components on the cards. When adding memory, hold it by the edges, not contacts.

TECHNICAL DESCRIPTION

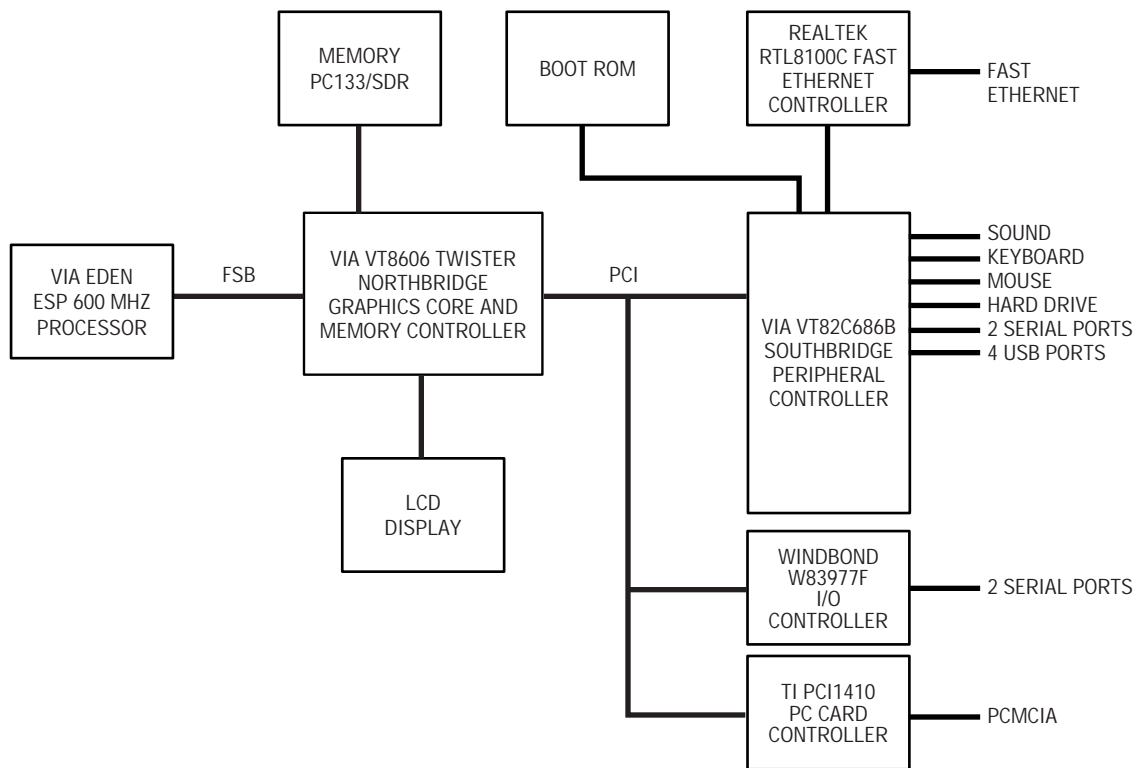
Block Diagram

The block diagram of the Touchcomputer is shown below:

Elo Touchcomputer Block Diagram



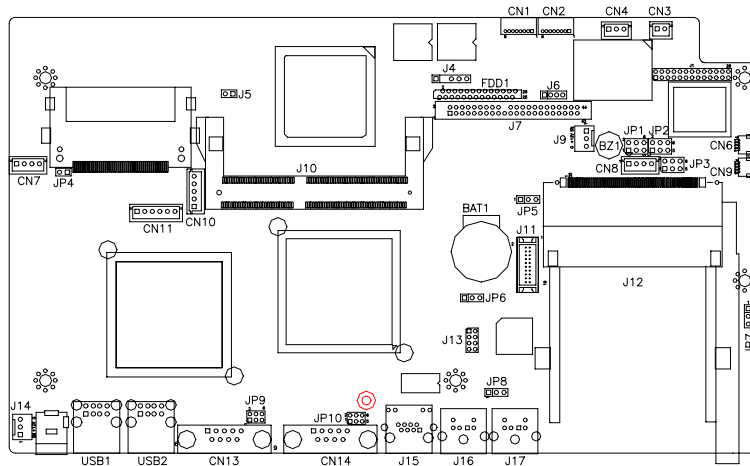
Mother Board Block Diagram



Connectors on Mother Board

The connectors on mother board allows you to connect external devices such as keyboard, floppy disk drives, printers, etc. The following table lists the connectors on mother board and their respective functions.

Connector Locations on Mother Board



Connectors on Mother Board

CN1, CN2: COM4 and COM3 Connectors

CN3: +5V Connector

CN4: +5V AND +12V Connector

CN6, CN9: USB Pin Header

CN10: Panel Inverter Power Connector

CN11: OSD Panel Board Connector

CN13, CN147: COM1 and COM2 Serial Ports

FDD1: Floppy Drive Connector

USB1, USB2: USB Connectors

J4: IrDA Connector

J6: Reset Button and IDE LED

J7: Primary IDE Connectors

J9: System Fan Power Connector

J11: 24-bit LVDS Connector (DF13-20)

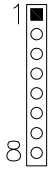
J13: VGA CRT Connector

J14: System Fan Power Connector

J16: PS/2 Keyboard Connector

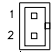
J17: PS/2 Mouse Connector

CN1, CN2: COM4 and COM3 Connectors



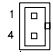
Pin #	Signal Name
1	DCD
2	RXD
3	CTS
4	GND
5	TXD
6	RTS
7	DSR
8	DTR

CN3: +5V Connector



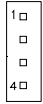
Pin #	Signal Name
1	+5V
2	Ground

CN4: +5V AND +12V Connector



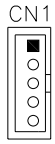
Pin #	Signal Name
1	+5V
2	Ground
3	+12V

CN6, CN9: USB Pin Header



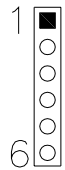
Pin #	Signal Name
1	Ground
2	USB-
3	USB+
4	Vcc

CN10: Panel Inverter Power Connector



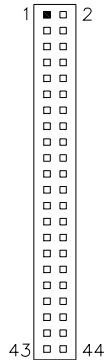
Pin #	Signal Name
1	+12V
2	Ground
3	Bright Adj
4	Ground
5	BKLT ON

CN11: OSD Panel Board Connector



Pin #	Signal Name
1	Vol+
2	Vol-
3	Bright+
4	Bright-
5	Ground
6	Power On/Off

J7: Primary IDE Connectors



Signal Name	Pin #	Pin #	Signal Name
Reset IDE	1	2	Ground
Host data 7	3	4	Host data 8
Host data 6	5	6	Host data 9
Host data 5	7	8	Host data 10
Host data 4	9	10	Host data 11
Host data 3	11	12	Host data 12
Host data 2	13	14	Host data 13
Host data 1	15	16	Host data 14
Host data 0	17	18	Host data 15
Ground	19	20	Key
DRQ0	21	22	Ground
Host IOW	23	24	Ground
Host IOR	25	26	Ground
IOCHRDY	27	28	Host ALE
DACK0	29	30	Ground
IRQ14	31	32	No connect
ASDRAMess 1	33	34	No connect
ASDRAMess 0	35	36	ASDRAMess 2
Chip select 0	37	38	Chip select 1
Activity	39	40	Ground
Vcc	41	42	Vcc
Ground	43	44	N.C.

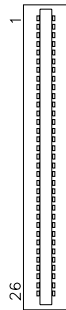
CN13, CN147: COM1 and COM2 Serial Ports



Signal Name	Pin #	Pin #	Signal Name
DCD	1	6	DSR
RXD	2	7	RTS
TXD	3	8	CTS
DTR	4	9	RI
GND	5	10	NC

FDD1: Floppy Drive Connector

FDD1 is a slim 26-pin connector and will support up to 2.88MB FDD.



Signal Name	Pin #	Pin #	Signal Name
VCC	1	2	INDEX
VCC	3	4	DRV_SEL
VCC	5	6	DSK_CH
NC	7	8	NC
NC	9	10	MOTOR
DINST	11	12	DIR
NC	13	14	STEP
GND	15	16	WDATA
GND	17	18	WGATE
GND	19	20	TRACK
NC	21	22	WPROT
GND	23	24	RDATA
GND	25	26	SIDE

USB1, USB2: USB Connectors



Pin #	Signal Name
1	Vcc
2	USB-
3	USB+
4	Ground

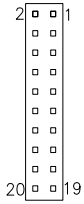
J9: System Fan Power Connector

J9 is a 3-pin header for an optional fan. The fan must be a 12V fan.



Pin #	Signal Name
1	Ground
2	+12V
3	Rotation detection

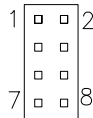
J11: 24-bit LVDS Connector (DF13-20)



Signal Name	Pin #	Pin #	Signal Name
TX0-	2	1	TX0+
Ground	4	3	Ground
TX1-	6	5	TX1+
5V/3.3V	8	7	Ground
TX3-	10	9	TX3+
TX2-	12	11	TX2+
Ground	14	13	Ground
TXC-	16	15	TXC+
5V/3.3V	18	17	ENABKL
+12V	20	19	+12V

J13: VGA CRT Connector

J13 is an 8-pin header for an optional external VGA CRT female connector.



Signal Name	Pin	Pin	Signal Name
Red	1	2	Vcc
Green	3	4	Ground
Blue	5	6	N.C.
N.C.	7	8	N.C.
Ground	9	10	H-Sync
Ground	11	12	V-Sync
Ground	13	14	N.C.
Ground	15	16	N.C.

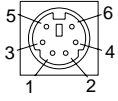
J14: System Fan Power Connector

J14 is a 3-pin header for the optional system fan. The fan must be a 12V fan.



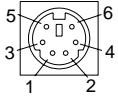
Pin #	Signal Name
1	Ground
2	+12V
3	Rotation detection

J16: PS/2 Keyboard Connector



Pin	Signal Name
1	Keyboard data
2	N.C.
3	GND
4	5V
5	Keyboard clock
6	N.C.

J17: PS/2 Mouse Connector



Pin	Signal Name
1	Mouse data
2	N.C.
3	GND
4	5V
5	Mouse clock
6	N.C.

Computer Specifications

Processor

- VIA Eden 600MHz low power CPU or equivalent

Memory

- RAM- 256 MB expandable to 512 MB

Green Function

- APM 1.2 compliant

Audio Function

- Stereo one watt capability per channel

Operating System

- Support for WinCE.Net Ver4.2
- Support for Windows 2000 Pro
- Support for Windows Xp Pro

Ports

- Four RS-232 Serial Ports. Two internal ports(CN2 and CN1) and 2 external ports (CN13 and CN14).
- Connectors-External ports shall use standard DB9 connectors.
- Six USB self powered version 1.1 Ports. All ports have the capability to provide 0.5 amps at 5 VDC each. Two ports are internal (CN6 and CN9) and four external (**USB1** and **USB2**).
- The external USB ports shall use two standard dual USB connectors.
- One Ethernet 100/10Base-T Port (**J15**)
- One PCMCIA version 2.1 Slot (**J12**)
- PS2 Keyboard (**J16**)
- PS2 Mouse (**J17**)

- One Compact Flash Socket (CN5)
- One hard drive socket located on the bottom of the board (J7)

Real Time Clock

- Battery backed up real time clock that features a multi-century calendar.
- Lithium battery with socket.
- On Screen Display
 - Volume Control
 - Backlight Brightness

Windows CE.Net Ver4.2 Board Support Package

A board support package is available to assist users with custom software development. The board support package contains the following items:

- Installation instructions
- A platform image that can be added to the Wince platform directory.
- A .cec file or equivalent to add the platform features to the platform builder catalog.
- A boot loader to support Ethernet debug and download.
- All testing shall be done with the final image from Elo.

Panel Connectors

The following connectors are available from the outside of the **Touchcomputer**

- Four USB ports
- Ethernet
- 2 serial port
- PS2 Keyboard (No keyboard provided)
- PS2 Mouse (No mouse provided)
- Board input Power
- PCMCIA Slot with eject button
- Compact Flash

Display

The LCD display consists of an LCD, inverter, and OSD switch module. The performance of the LCD display will be:

Display Size	15.0 diagonal
Native Resolution	1024 x 768 pixels
Display Color Number	16.2 million Colors, 6 Bit+FRC
Display Type	a-Si TFT active – matrix
Typical Contrast Ratio	500:1
Typical/Min Brightness	LCD 350 cd/m ² AccuTouch287 cd/m ² IntelliTouch322 cd/m ²
Typical Display Speed	Rising Time 9 ms / Falling Time16 ms
Typical Vertical Viewing Angle	60 deg (looking down) / 45 deg (looking up) @CR 10 70 deg (looking down) / 55 deg (looking up) @CR 5
Typical Horizontal Viewing Angle	60 deg (looking from Left) / 60 deg (Looking from Right)CR 10 75 deg (looking down) / 75 deg (looking up) @CR 5
Chromaticity	Chromaticity coordinates will fall within the values in the table

TABLE 1. Chromaticity Values

	Symbol	Minimum	Typical	Maximum
Chromaticity of White	Wx	0.282	0.312	0.342
	Wy	0.288	0.318	0.348
Chromaticity of Red	Rx	0.613	0.6437	0.673
	Ry	0.314	0.344	0.374
Chromaticity of Green	Gx	0.274	0.304	0.334
	Gy	0.536	0.566	0.596
Chromaticity of Blue	Bx	0.111	0.141	0.171
	By	0.055	0.085	0.115

Touchscreen Assembly

The touchscreen assembly consists of a touchscreen and a controller. AccuTouch or IntelliTouch touchscreens will be provided as options and use one of the USB ports on the **mother board** .

External 12 VDC Power Supply

The **Touchcomputer** shall be powered by 12 VDC from a universal type power supply brick with the following characteristics:

- Input voltage 85 to 263 vac
- Input frequency 47 to 63 hz
- Output voltage 12 vdc
- Output line and load regulation +/- 2%
- Output **current 5Amps**

Stand

The stand supports the LCD display and provides adjustment for the angle of the display with respect to the viewer.

Customer Display

The Customer Display is a twenty character two line vacuum fluorescent display (VFD). It consists of a VFD and VFD controller. There is a serial version controller and a USB controller. The actual VFD is common to the serial and USB versions. CE will only use the serial as no CE USB driver is available.

Optical Parameters

Characters per row	20
Number of rows	2
Character configuration	5x7 dot matrix
Character Height	9.5 mm
Character width	6.2 mm
Character configuration	ASCII
Character color	Blue green
MTBF	300,000 hours

USB MSR

The USB card reader is a USB port powered MSR which conforms to ISO/ANSI standards. The USB MSR is available in HID and Keyboard emulation versions. The reader shall read all three stripes on a standard credit card or drivers license. The reader shall conform to the USB Human Interface Device class specification Version 1.1 The reader communicates over a USB revision 1.1 port. A green LED provides the operator with continuous status of the reader operations.

Specifications

Reference Standards Conform to applicable standards	International Standards Organization, American National Standards Institute, California Drivers License, American Association of Motor Vehicle Administrators
Power Input	From USB port
Message Format	ACCII
Card Speed	3 to 50 IPS
MTBF	Electronics 125,000 hrs; Head 1,000,000 passes
Operating Current	30 ma max
Suspend current	300 ua max
Length	100 mm
Width	32.5 mm max

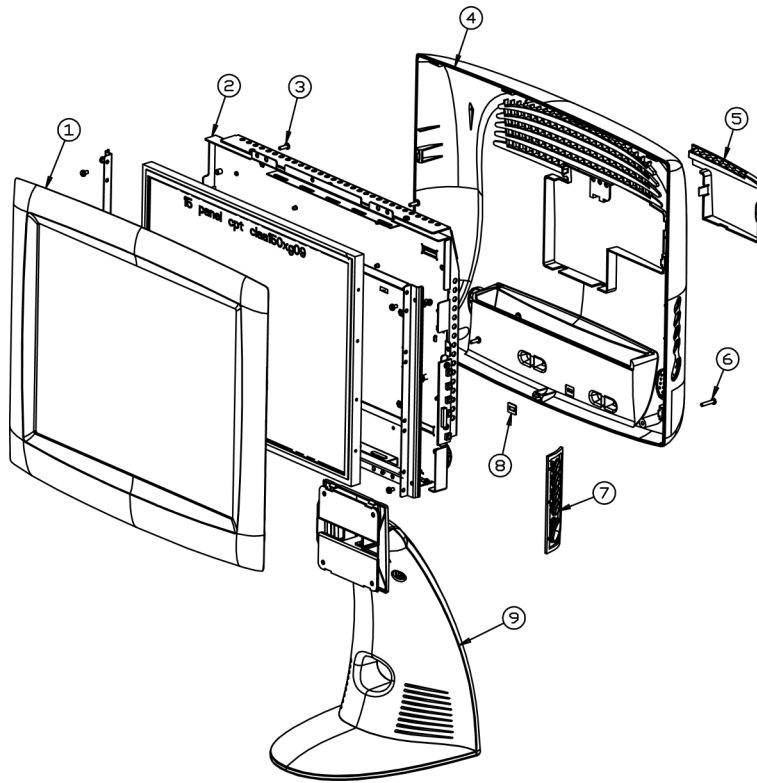
C H A P T E R

5

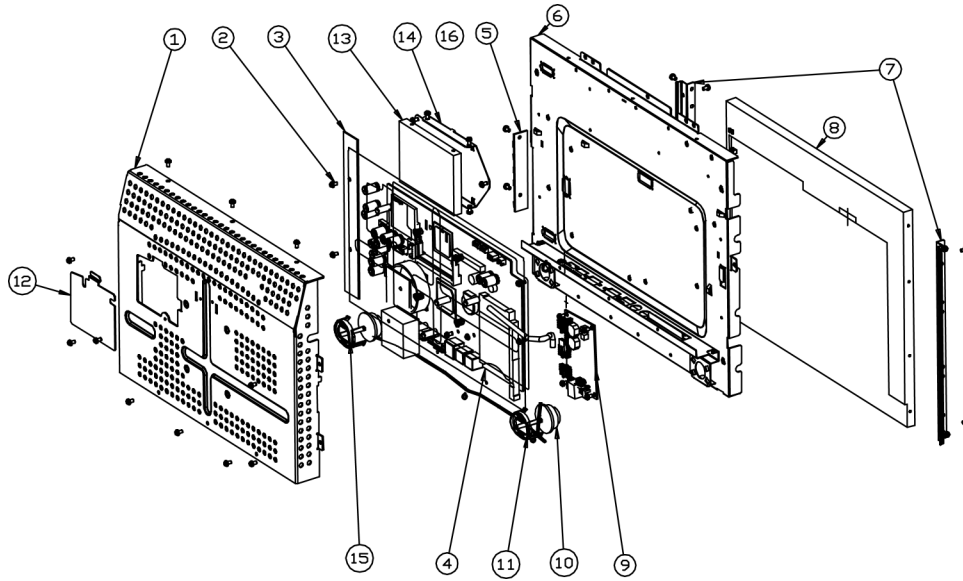
Touchcomputer COMPONENT LAYOUT

The figures below show the complete **Touchcomputer** identifying the major components discussed in Chapter 1.

Touchcomputer Assembly



Touchcomputer Exploded View



COMPONENTS

External 12 VDC Power Supply

The **Touchcomputer** is powered by 12 VDC from a universal type power supply brick. The power supply shall provide the following capability:

- Input voltage 85 to 263 vac
- Input frequency 47 to 63 hz
- Output voltage 12 vdc
- Output line and load regulation +/- 2%

Memory and Hard Drive Options

Windows 2000 Pro and Windows XP Pro

- Hard Drive Provided, 20GB or higher
- 256 MB provided
- No compact flash provided

Windows CE.Net Ver4.2

- No hard drive provided
- 64 MB or higher compact flash provided

Cables

External Cables

The following cables will be included:

- US power cable for the external power supply
- European power cable for the external power supply
- Power cable from the 12 VDC external supply to the **Touchcomputer**.

All cables are 6 feet long.

ENVIRONMENTAL REQUIREMENTS

Temperature Ranges

Operating Temperature (Independent of altitude)	0° to 40°
Non-Operating Temperature (Independent of altitude)	-30° to 60°

Humidity

Operating (non-condensing)	20% to 80%
Non-Operating (38.7°C max. wet bulb temperature)	5% to 95%

Altitude

Operating 0 to + 12,000 feet [3,658m].	Equivalent to 14.7 to 10.1 psia.
Non-Operating 0 to + 40,000 feet [12,192m].	Equivalent to 14.7 to 4.4 psia.

REGULATORY INFORMATION

I. Electrical Safety Information:

A) Compliance is required with respect to the voltage, frequency, and current requirements indicated on the manufacturer's label. Connection to a different power source than those specified herein will likely result in improper operation, damage to the equipment or pose a fire hazard if the limitations are not followed.

B) There are no operator serviceable parts inside this equipment. There are hazardous voltages generated by this equipment which constitute a safety hazard. Service should be provided only by a qualified service technician.

C) This equipment is provided with a detachable power cord which has an integral safety ground wire intended for connection to a grounded safety outlet.

1) Do not substitute the cord with other than the provided approved type. Under no circumstances use an adapter plug to connect to a 2-wire outlet as this will defeat the continuity of the grounding wire.

2) The equipment requires the use of the ground wire as a part of the safety certification, modification or misuse can provide a shock hazard that can result in serious injury or death.

3) Contact a qualified electrician or the manufacturer if there are questions about the installation prior to connecting the equipment to mains power.

II. Emissions and Immunity Information

A) Notice to Users in the United States: This equipment has been tested and found to comply with the limits for a Class B digital device, pursuant to Part 15 of FCC Rules. These limits are designed to provide reasonable protection against harmful interference in a residential installation. This equipment generates, uses, and can radiate radio frequency energy, and if not installed and used in accordance with the instructions, may cause harmful interference to radio communications.

B) Notice to Users in Canada: This equipment complies with the Class B limits for radio noise emissions from digital apparatus as established by the Radio Interference Regulations of Industrie Canada.

C) Notice to Users in the European Union: Use only the provided power cords and interconnecting cabling provided with the equipment. Substitution of provided cords and cabling may compromise electrical safety or CE Mark Certification for emissions or immunity as required by the following standards:

This Information Technology Equipment (ITE) is required to have a CE Mark on the manufacturer's label which means that the equipment has been tested to the following Directives and Standards:

This equipment has been tested to the requirements for the CE Mark as required by EMC Directive 89/336/EEC indicated in European Standard EN 55 022 Class B and the Low Voltage Directive 73/23/EEC as indicated in European Standard EN 60 950.

D) General Information to all Users: This equipment generates, uses and can radiate radio frequency energy. If not installed and used according to this manual the equipment may cause interference with radio and television communications. There is, however, no guarantee that interference will not occur in any particular installation due to site-specific factors.

1) In order to meet emission and immunity requirements, the user must observe the following:

- a) Use only the provided I/O cables to connect this digital device with any computer.
- b) To ensure compliance, use only the provided manufacturer's approved line cord.
- c) The user is cautioned that changes or modifications to the equipment not expressly approved by the party responsible for compliance could void the user's authority to operate the equipment.

2) If this equipment appears to cause interference with radio or television reception, or any other device:

- a) Verify as an emission source by turning the equipment off and on.
- b) If you determine that this equipment is causing the interference, try to correct the interference by using one or more of the following measures:
 - i) Move the digital device away from the affected receiver.
 - ii) Reposition (turn) the digital device with respect to the affected receiver.
 - iii) Reorient the affected receiver's antenna.
 - iv) Plug the digital device into a different AC outlet so the digital device and the receiver are on different branch circuits.
 - v) Disconnect and remove any I/O cables that the digital device does not use. (Unterminated I/O cables are a potential source of high RF emission levels.)
 - vi) Plug the digital device into only a grounded outlet receptacle. Do not use AC adapter plugs. (Removing or cutting the line cord ground may increase RF emission levels and may also present a lethal shock hazard to the user.)

If you need additional help, consult your dealer, manufacturer, or an experienced radio or television technician.



この装置は、クラスA情報技術装置です。この装置を家庭環境で使用すると電波妨害を引き起こすことがあります。この場合には使用者が適切な対策を講ずるよう要求されることがあります。 VCCI-A

"The application of this monitor is restricted to special controlled luminous environments. The screen surface tends to reflect annoying light of lamps and sunlight. To avoid these reflections the monitor should not be positioned in front of a window or directed to luminaries. The monitor is in compliance with Reflection Class III according to ISO 13406-2"

"Die Anwendung dieses Bildschirms ist auf speziell kontrollierte Umgebungsbeleuchtungen eingeschränkt. Die Bildschirmoberfläche neigt zu störenden Spiegelungen von Lampen und Sonnenlicht. Um diese Reflexionen zu vermeiden sollte der Monitor nicht auf Fenster und Beleuchtungseinrichtungen ausgerichtet sein. Der Monitor erfüllt nur die Reflexionsklasse III nach ISO 13406-2"

CAUTION:

Danger of explosion if battery is incorrectly replaced. Replace only with the same or equivalent type recommended by the manufacturer. Dispose of used batteries according to the manufacturer's instructions.

VORSICHT:

Explosionsgefahr bei unsachgemäßen Austausch der Batterie. Ersatz nur durch denselben oder einem vom Hersteller empfohlenem ähnlichen Typ. Entsorgung gebrauchter Batterien nach Angaben des Herstellers.

WARRANTY

Except as otherwise stated herein or in an order acknowledgment delivered to Buyer, Seller warrants to Buyer that the Product shall be free of defects in materials and workmanship. The warranty for the touch**computer** and components of the product is 1 year.

Seller makes no warranty regarding the model life of components. Seller's suppliers may at any time and from time to time make changes in the components delivered as Products or components.

Buyer shall notify Seller in writing promptly (and in no case later than thirty (30) days after discovery) of the failure of any Product to conform to the warranty set forth above; shall describe in commercially reasonable detail in such notice the symptoms associated with such failure; and shall provide to Seller the opportunity to inspect such Products as installed, if possible. The notice must be received by Seller during the Warranty Period for such product, unless otherwise directed in writing by the Seller. Within thirty (30) days after submitting such notice, Buyer shall package the allegedly defective Product in its original shipping carton(s) or a functional equivalent and shall ship to Seller at Buyer's expense and risk.

Within a reasonable time after receipt of the allegedly defective Product and verification by Seller that the Product fails to meet the warranty set forth above, Seller shall correct such failure by, at Seller's options, either (i) modifying or repairing the Product or (ii) replacing the Product. Such modification, repair, or replacement and the return shipment of the Product with minimum insurance to Buyer shall be at Seller's expense. Buyer shall bear the risk of loss or damage in transit, and may insure the Product. Buyer shall reimburse Seller for transportation cost incurred for Product returned but not found by Seller to be defective. Modification or repair, of Products may, at Seller's option, take place either at Seller's facilities or at Buyer's premises. If Seller is unable to modify, repair, or replace a Product to conform to the warranty set forth above, then Seller shall, at Seller's option, either refund to Buyer or credit to Buyer's account the purchase price of the Product less depreciation calculated on a straight-line basis over Seller's stated Warranty Period.

THESE REMEDIES SHALL BE THE BUYER'S EXCLUSIVE REMEDIES FOR BREACH OF WARRANTY. EXCEPT FOR THE EXPRESS WARRANTY SET FORTH ABOVE, SELLER GRANTS NO OTHER WARRANTIES, EXPRESS OR IMPLIED BY STATUTE OR OTHERWISE, REGARDING THE PRODUCTS, THEIR FITNESS FOR ANY PURPOSE, THEIR QUALITY, THEIR MERCHANTABILITY, THEIR NONINFRINGEMENT, OR OTHERWISE. NO EMPLOYEE OF SELLER OR ANY OTHER PARTY IS AUTHORIZED TO MAKE ANY WARRANTY FOR THE GOODS OTHER THAN THE WARRANTY SET FORTH HEREIN. SELLER'S LIABILITY UNDER THE WARRANTY SHALL BE LIMITED TO A REFUND OF THE PURCHASE PRICE OF THE PRODUCT. IN NO EVENT SHALL SELLER BE LIABLE FOR THE COST OF PROCUREMENT OR INSTALLATION OF SUBSTITUTE GOODS BY BUYER OR FOR ANY SPECIAL, CONSEQUENTIAL, INDIRECT, OR INCIDENTAL DAMAGES.

Buyer assumes the risk and agrees to indemnify Seller against and hold Seller harmless from all liability relating to (i) assessing the suitability for Buyer's intended use of the Products and of any system design or drawing and (ii) determining the compliance of Buyer's use of the Products with applicable laws, regulations, codes, and standards. Buyer retains and accepts full responsibility for all warranty and other claims relating to or arising from Buyer's products, which include or incorporate Products or components manufactured or supplied by Seller. Buyer is solely responsible for any and all representations and warranties regarding the Products made or authorized by Buyer. Buyer will indemnify Seller and hold Seller harmless from any liability, claims, loss, cost, or expenses (including reasonable attorney's fees) attributable to Buyer's products or representations or warranties concerning same.

Image retention or sticking is a characteristic of all LCD displays which causes an image left on the LCD monitor for a long time to be retained by the LCD after the image is removed. To reduce the effect of sticking power saving mode and screen savers should be used when possible.



INDEX



A

About the Product, 1
Accessory Kit, 4
Altitude, 35
Audio Function, 22

B

Block Diagram, 15

C

Cables, 28
CD/DVD Drives, 3
Chromaticity, 18
Computer Reboots, 10
Computer Specifications, 22
Controls, 10
Customer Display, 2, 26
Customer Display Testing, 10

D

Display, 24
Display Color Number, 24
Display Size, 24
Display Type, 24
Drivers, 2

E

External 12 VDC Power Supply, 25, 33
External Cables, 34
External Connections, 3
External Connections and Upgrades, 3

G

Green Function, 22

H

Hard Drive for CE.Net Ver4.2, 3
Horizontal Viewing Angle, 24
Humidity, 35

I

Initial Turn On and Software Registration, 9

K

Keyboard, 4

Keyboard Card Reader Testing, 10

L

License Agreement, 9

M

Magnetic Stripe Reader (MSR), 2
Memory, 22
Memory and Hard Drive Options, 33
Models, 6
Mouse, 3

N

Native Resolution, 24
Network Settings, 9

O

Operating System, 2
Operating System, computer specifications, 22
Optical Parameters, 26

P

Panel Connectors, 23
Performing Final Tasks , 9
Ports, 22
Power, 11
Power and OSD Lock Out, 12
Precautions, 1
Processor, 22
Product Key, 9

R

Real Time Clock, 23

S

Touchcomputer CD, 4
Touchcomputer Setup, 9
Touchcomputer Assembly, 30
Touchcomputer Exploded View, 31
Touchcomputer Operating System Setup, 9
Specifications, USB MSR, 27
Stand, Touchcomputer, 25

T

Technical Assistance, 12
Temperature Ranges, 35

Testing Pre-installed Devices, 10
Touch Tool CD, 4
Touchscreen, 2
Touchscreen Assembly, 25
Typical Contrast Ratio, 24
Typical Display Speed, 24
Typical/Min Brightness, 24

U

Upgrades and Changes, 4
USB Card Reader Testing, 10
USB MSR, 26
Using the Phone, Technical Assistance, 12
Using the Touchcomputer, Technical Assistance, 12
Using the Web, Technical Assistance, 12

V

Vertical Viewing Angle, 18

W

Warranty, 37
Windows 2000 Pro and Windows XP Pro, 33
Windows CE.Net Ver4.2, 2
Windows CE.Net Ver4.2 Board Support Package, 23
Windows CE.Net Ver4.2, 33
Windows XP Pro and 2000 Pro, 2
Wired Network Connections, 3
Wireless Network Capabilities, 3

Check out Elo's Web site!

www.elotouch.com

Get the latest...

• ***Product information***

• ***Specifications***

• ***News on upcoming events***

• ***Press releases***

• ***Software drivers***

Getting in Touch with Elo

To find out more about Elo's extensive range of touch solutions, visit our Web site at www.elotouch.com or simply call the office nearest you:

USA & Headquarters

*Elo TouchSystems, Inc.
301 Constitution Drive,
Menlo Park, CA 94025.*

*(800) ELO-TOUCH (800-356-8682)
Tel 650-361-4700
Fax 650-361-4747
eloinfo@elotouch.com*

Germany

*Elo TouchSystems GmbH & Co. KG
Haidgraben 6
D-85521 Ottobrunn
Germany*

*Tel +49(89)60822-0
Fax +49(89)60822-150
elosales@elotouch.com*

Belgium

*Elo TouchSystems
Diestsesteenweg 692
B-3010 Kessel-Lo
Belgium*

*Tel +32(16) 35-2100
Fax +32(16) 35-2101
elosales@elotouch.com*

Japan

*Touch Panel Systems K.K
Sun Homada Bldg. 2F
1-19-20 Shin-Yokohama,
Kanagawa 222-0033
Japan*

*Tel +81(45)478-2161
Fax +81(45)478-2180
www.tps.co.jp*

tyco

Electronics



Elo Entuitive Touchcomputer Benutzerhandbuch

15"-LCD-Desktop-Touchcomputer

Touchcomputer-Serie ESY1525L/ESY1527L



Revision D

Teile-Nr. 008594

Elo TouchSystems, Inc.

**1-800-ELOTOUCH
www.elotouch.com**



Copyright © 2004, Elo TouchSystems Inc. Alle Rechte vorbehalten.

Jede Vervielfältigung, Übertragung, Abschrift, elektronische Speicherung sowie Übersetzung dieses Dokumentes in irgendeine Sprache oder Computersprache ist in jeder Form und unter Zuhilfenahme jeglicher elektronischer, magnetischer, optischer, chemischer, manueller oder sonstiger Mittel untersagt und bedarf der ausdrücklichen schriftlichen Genehmigung durch Elo TouchSystems.

Rechtliche Hinweise

Alle Informationen in diesem Dokument können vom Hersteller ohne vorherige Ankündigung geändert werden. Elo TouchSystems behält sich jegliche Erklärung und Garantie bezüglich der vorliegenden Inhalte vor. Dies gilt insbesondere für eine etwaige implizierte Garantie der Marktgängigkeit oder der Eignung für einen bestimmten Zweck. Elo TouchSystems behält sich das Recht vor, diese Veröffentlichung zu überarbeiten und nach eigenem Ermessen Änderungen am vorliegenden Inhalt vorzunehmen, ohne irgendeine Person hiervon in Kenntnis zu setzen.

Warenzeichen

IntelliTouch, SecureTouch, AccuTouch, Entuitive und MonitorMouse sind Warenzeichen von Elo TouchSystems, Inc.

Andere in diesem Dokument erwähnte Produktnamen können Marken oder eingetragene Marken der jeweiligen Unternehmen sein. Elo TouchSystems erhebt keinen Anspruch auf andere Warenzeichen als die eigenen.

Inhaltsverzeichnis

Kapitel 1			
Einführung	3		
Vorsichtsmaßnahmen	3		
Hinweise zum Produkt.	3		
Betriebssystem.	4		
Windows XP Pro und 2000 Pro.	4		
Windows CE.Net Version 4.2	4		
Kunden-Display	4		
Magnetstreifenleser (MSR)	4		
Touchscreen (Tastbildschirm)	4		
Treiber.	5		
Externe Verbindungen und Upgrades.	5		
Externe Verbindungen	5		
Wireless-Netzwerkfunktionen	5		
CD- und DVD-Laufwerke	5		
Kabel-Netzwerkverbindungen.	5		
Festplatte für Version CE	6		
Maus	6		
Tastatur	6		
Upgrades und Änderungen	6		
Zubehör-Kit.	7		
Modelle.	8		
Kapitel 2			
Einrichten des Touchcomputers	11		
Inbetriebnahme und Software-Registrierung	11		
Einrichten des Betriebssystems	11		
Lizenzvereinbarung	11		
Product Key	11		
Netzwerkeinstellungen	12		
Letzte vorbereitende Schritte	12		
Computer neu starten.	12		
Testen vorinstallierter Hardware	12		
Testen des Kunden-Displays	12		
Testen des Tastatur-Kartenlesers.	12		
Testen des USB-Kartenlesers	12		
Bedienelemente	13		
Netzschalter	13		
Netzschalter- und OSD-Sperre.	14		
Technische Unterstützung	14		
Über den Touchcomputer	14		
Über das Internet	15		
Über das Telefon	15		
Kapitel 3			
Sicherheits- und Wartungshinweise	17		
Kapitel 4			
Technische Beschreibung	19		
Blockdiagramm	19		
Motherboard - Anschlüsse.	21		
Computerspezifische Angaben	27		
Prozessor	27		
Hauptspeicher	27		
Energiesparfunktion	27		
Audiofunktion	27		
Betriebssystem	27		
Anschlüsse	27		
Echtzeituhr.	28		
Board Support Package für Windows CE.Net Version 4.2	28		
Externe Anschlüsse	28		
Anzeige	29		
Touchscreen-Einheit	30		
Externes Netzteil (12 VDC)	30		
Ständer	30		
Kunden-Display	31		
Optische Parameter	31		
Magnetstreifenleser (USB)	31		
Technische Daten	32		
Kapitel 5			
Anordnung der Komponenten	33		
Aufbau des Touchcomputers	34		
Explosionsansicht	35		
Kapitel 6			
Komponenten	37		
Externes Netzteil (12 VDC)	37		
Hauptspeicher- und Festplattenoptionen	37		
Windows 2000 Pro und Windows XP Pro	37		
Windows CE.Net Version 4.2	37		
Netzkabel	38		
Externe Kabel	38		

Kapitel 7	
Umgebungsanforderungen	39
Temperatur	39
Feuchtigkeit	39
Höhe.	39
Hinweise zur Handhabung	41
Garantie	45
Index	47

EINFÜHRUNG

Wir beglückwünschen Sie zum Kauf eines Elo TouchSystems Entuitive-Touchcomputers. Dieses Handbuch soll Ihnen beim Bedienen und Warten des Touchcomputers behilflich sein.

Vorsichtsmaßnahmen

Befolgen Sie alle Warnungen, Sicherheitshinweise und Wartungsempfehlungen in diesem Handbuch, um eine möglichst lange Lebensdauer des Geräts zu gewährleisten. Sicherheitshinweise zum Touchmonitor finden Sie in Anhang B.

Hinweise zum Produkt

Der LCD-Desktop-Touchcomputer ist ein 15" XGA TFT-Farbbildschirm mit folgenden Merkmalen:

Der Touchcomputer besteht aus einem 15-Zoll-LCD-Monitor mit integriertem Computer und entspricht in etwa der Größe eines normalen Monitors. Der Touchcomputer läuft, in Abhängigkeit von der jeweiligen Konfiguration und den vom Benutzer gewählten Optionen, unter Windows CE.Net Version 4.2, Windows 2000 Pro oder Windows XP Pro. Der Touchcomputer setzt sich zusammen aus dem LCD-Hauptbildschirm mit dem Touchscreen, dem Inverter für die Hintergrundbeleuchtung, dem Touch-Controller, den Lautsprechern und dem Motherboard. Zu den weiteren Bestandteilen gehören ein externes Netzteil (12 VDC), ein Ständer, ein Chassis mit Gehäuse sowie die innere und äußere Verkabelung. Optional wird der Touchcomputer mit einem Magnetstreifenleser (MSR) sowie einem separaten Kunden-Display geliefert. Der Touchcomputer wird ohne Tastatur und Maus geliefert, verfügt jedoch über externe Anschlüsse, um diese nachträglich anzuschließen. Durch Berühren des Bildschirms lässt sich der Touchcomputer wie mit einer Maus steuern, und anstelle einer externen

Tastatur kann die auf dem Bildschirm angezeigte Tastatur verwendet werden. Im Folgenden werden die Optionen des Touchcomputers erläutert.

Betriebssystem

Es kann zwischen den Betriebssystemen Windows CE.Net Version 4.2, Windows XP Pro und Windows 2000 Pro ausgewählt werden.

Windows XP Pro und 2000 Pro

Bei Verwendung des Betriebssystems Windows XP Pro oder Windows 2000 Pro verfügt der Touchcomputer über eine Festplatte mit 20 GB oder mehr sowie 256 MB SDRAM. Der Touchcomputer wird über die Festplatte gestartet. Auf dieser befindet sich das Betriebssystem. Die Verwendung von Compact Flash-Karten ist hierbei nicht vorgesehen.

Windows CE.Net Version 4.2

Bei Verwendung von Windows CE.Net Version 4.2 als Betriebssystem wird der Touchcomputer über das systemeigene Compact Flash (64 MB) gestartet. Der Touchcomputer verfügt dann über 256 MB SDRAM. Die Verwendung einer Festplatte ist hierbei nicht vorgesehen.

Kunden-Display

Optional ist ein Kunden-Display mit serieller Schnittstelle erhältlich. Für das Kunden-Display ist keine Anwendungssoftware vorgesehen. Zur Überprüfung des einwandfreien Betriebs des Kunden-Displays wird ein Testprogramm mitgeliefert.

Magnetstreifenleser (MSR)

Zur Auswahl stehen ein USB-HID (nicht unter Windows CE.Net Version 4.2) sowie ein USB-MSR mit Tastaturemulation. Für den MSR ist keine Anwendungssoftware vorgesehen. Zur Überprüfung des einwandfreien Betriebs des MSR wird ein Testprogramm mitgeliefert.

Touchscreen (Tastbildschirm)

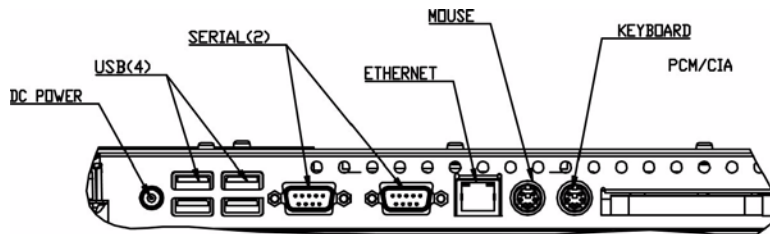
Zur Auswahl stehen Tastbildschirme vom Typ AccuTouch oder IntelliTouch mit USB-Schnittstelle. Für den Tastbildschirm ist keine Anwendungssoftware vorgesehen. Zur Überprüfung des einwandfreien Betriebs des Tastbildschirms wird ein Testprogramm mitgeliefert.

Treiber

Jedem System sind entsprechende Treiber und Testprogramme beigelegt, die das Funktionieren aller gewählten Optionen gewährleisten.

Externe Verbindungen und Upgrades

In der nachstehenden Abbildung ist die externe Anschlussblende des Touchcomputers dargestellt. An der Anschlussblende stellt der Benutzer die äußeren Verbindungen des Touchcomputers her. Die Spannungsversorgung ist die einzige externe Verbindung, die für den Betrieb des Touchcomputers erforderlich ist.



Externe Verbindungen

Über die externen Verbindungen bietet der Touchcomputer dem Benutzer folgende Anschlussmöglichkeiten:

Wireless-Netzwerkfunktionen

Über eine Wireless-Karte für den PCMCIA-Steckplatz können Wireless-Netzwerkfunktionen genutzt werden.

CD- und DVD-Laufwerke

An den externen USB-Eingängen können CD- und DVD-Laufwerke angeschlossen werden.

Kabel-Netzwerkverbindungen

Über den Ethernet-Eingang lassen sich kabelgebundene Netzwerkverbindungen einschließlich Internetzugang herstellen.

Festplatte für Version CE

Eine zusätzliche Festplatte für Touchcomputer der Version CE kann entweder am USB-Eingang angeschlossen oder im Gerät eingebaut werden.

Maus

Für den Anschluss einer Maus steht ein eigener Anschluss zur Verfügung.

Tastatur

- Für den Anschluss einer Tastatur steht ein eigener Anschluss zur Verfügung.

Upgrades und Änderungen

Bei einem Touchcomputer der Version CE kann zusätzlich eine 2,5"-Laptop-Festplatte eingebaut werden.

- SDRAM - beträgt standardmäßig 256 MB, kann auf 512 MB vergrößert werden
- Compact Flash-Karte - kann unter Windows XP Pro und Windows 2000 Pro eingesetzt werden (Einbau erfolgt über eine Klappe an der Rückwand des Touchcomputers)
- Kunden-Display und Magnetstreifenleser - für jeden Touchcomputer erhältlich
- Ändern des Betriebssystems - zwischen Windows XP Pro und Windows 2000 Pro durch Laden des korrekten Betriebssystems auf die interne Festplatte möglich.
- Betriebssystemumstellung von Windows 2000 Pro oder Windows XP Pro auf Windows CE.Net Version 4.2 - durch Hinzufügen einer Compact Flash-Karte mit dem entsprechenden Image und Starten über dieselbe möglich
- Betriebssystemumstellung von Windows CE.Net Version 4.2 auf Windows XP Pro oder Windows 2000 Pro - durch Hinzufügen einer internen oder externen Festplatte mit dem geladenen neuen Betriebssystem möglich

Zubehör-Kit

Jeder Monitor wird mit einem Zubehör-Kit geliefert. Zum Umfang des Zubehör-Kits gehört Folgendes:

- CD „Touchtool“ - Diese enthält die Treiber und das Handbuch für Touchscreen-Produkte von EloTouch. Die Touchscreen-Treiber sind auf dem Touchcomputer bereits vorinstalliert. Die Treiber auf der CD-ROM sind für eine eventuelle Neuinstallation des Betriebssystems vorgesehen.
- Touchcomputer-CD-ROM - Diese enthält die Treiber für die mit dem Touchcomputer verwendeten Geräte, eine Kopie des Touchcomputer-Benutzerhandbuchs, Testprogramme zum Testen des Touchcomputers, eine Kopie der Software „My T-Touch“ und eine Image-Kopie von Windows CE.Net Version 4.2. Diese sind lediglich für eine eventuelle Neuinstallation des Betriebssystems vorgesehen. Mithilfe des mitgelieferten BSP (Board Support Package, Platinen-Unterstützungspaket) für Windows CE.Net Version 4.2 lassen sich Images nach eigenen Wünschen erstellen. Beachten Sie die Hinweise zum Gebrauch des BSP auf der CD-ROM. In Abschnitt 4.2.8 finden Sie eine Beschreibung des BSP.
- Kurzanleitung zur Installation - Hier wird die Bedienung des Touchcomputers in Illustrationen dargestellt.
- Netzkabel (USA)
- Netzkabel (Europa)
- Externes Netzteil
- Zugehöriges Betriebssystem (auf CD-ROM)
- Windows 2000 Pro
- Windows XP Pro
- Für Windows CE.Net Version 4.2 ist keine CD-ROM vorgesehen, da das Image sich auf der Touchcomputer-CD-ROM befindet.
- Serielle und USB-Kabel sind nicht im Lieferumfang enthalten

Modelle

Nachstehend sind die Modelle des Touchcomputers aufgeführt. Die Optionen sind am jeweiligen Schlüssel erkennbar und werden am Ende der Liste erläutert.

E08919-000	ESY1525L-7UWA-1-CE
E08919-000	ESY1525L-7UWA-1-CE
C63175-000	ESY1525L-8UWA-1-CE
E73369-000	ESY1525L-8UWA-1-CE-M3
E36798-000	ESY1525L-8UWA-1-CE-C1
A78783-000	ESY1525L-8UWA-1-CE-M3C1
C32392-000	ESY1525L-7UWA-1-XP
A82367-000	ESY1525L-7UWA-1-XP-C1
D37281-000	ESY1525L-8UWA-1-XP
D58125-000	ESY1525L-8UWA-1-XP-M2
D61906-000	ESY1525L-8UWA-1-XP-M3
C94408-000	ESY1525L-8UWA-1-XP-M2C1
E21843-000	ESY1525L-8UWA-1-XP-M3C1
F95046-000	ESY1525L-7UWA-1-2K
A88088-000	ESY1525L-7UWA-1-2K-C1
C04515-000	ESY1525L-8UWA-1-2K
F84197-000	ESY1525L-8UWA-1-2K-M2
C48832-000	ESY1525L-8UWA-1-2K-M3
A84590-000	ESY1525L-8UWA-1-2K-M2C1
F83851-000	ESY1525L-8UWA-1-2K-M3C1

Schlüssel

PIP-Schlüssel (Beschreibung)

ESY = Elo-System

15 = 15-Zoll-Bildschirm

25 = Desktop-Kabinett (nur bei grauem Kunststoffgehäuse)

L = LCD

7 = AccuTouch

8 = IntelliTouch

S = Serieller Controller

U = USB-Controller

W = Vertretungen weltweit

A = Revisionsnummer

1 = Entspiegeltes Glas

Mx = Magnetstreifenleser (MSR)

x = 2 = USB-HID für Magnetstreifenleser

x = 3 = USB-Tastaturemulation für Magnetstreifenleser

Cx = Kunden-Display

x = 1 = Serielles Kunden-Display

CE = Windows CE.Net Version 4.2 Pro+

Xp = Windows XP Professional

2K = Windows 2000 Professional

EINRICHTEN DES TOUCHCOMPUTERS

Inbetriebnahme und Software-Registrierung

Einrichten des Betriebssystems

Das erste Einrichten des Windows-Betriebssystems dauert ca. fünf bis zehn Minuten. Abhängig von der Konfiguration der Computerhardware und den angeschlossenen Geräten ist mit einem zusätzlichen Zeitaufwand zu rechnen. Um das Windows-Betriebssystem auf ihrem Computer einzurichten, müssen Sie den Computer einschalten und den Anweisungen auf dem Bildschirm folgen. Der Touchcomputer sollte an ein Netzwerk mit Internet-Anschluss angeschlossen sein. Die Registrierung des Windows-Betriebssystems kann telefonisch erfolgen.

Lizenzvereinbarung

- Bestätigen Sie den Text „Ich akzeptiere diese Vereinbarung“ mit der Maustaste.
- Klicken Sie auf „Weiter“.

Product Key

- Geben Sie den 25-stelligen Product Key ein. Dieser ist auf der Geräterückseite aufgedruckt.
- Klicken Sie auf „Weiter“.

Netzwerkeinstellungen

- Warten Sie, bis das Windows-Betriebssystem die Netzwerkeinstellungen konfiguriert hat.

Letzte vorbereitende Schritte

- Warten Sie, bis das Windows-Betriebssystem die Netzwerkeinstellungen konfiguriert hat.

Computer neu starten

- Warten Sie, bis der Computer neu startet und der Desktop angezeigt wird.

Testen vorinstallierter Hardware

Der Touchcomputer wird mit verschiedenen vorinstallierten Hardwareoptionen geliefert. Sie können diese Optionen testen, indem Sie auf der Windows-Werkzeugleiste im rechten unteren Bildschirmbereich auf die nachstehend erläuterten Symbole klicken. Sie können auch die Symbole auf dem Desktop verwenden.

Testen des Kunden-Displays

- Klicken Sie auf das Symbol „CD“.
- Auf dem Kunden-Display wird nun der Text „Elo TouchSystems Customer Display“ eingeblendet.

Testen des Tastatur-Kartenlesers

- Klicken Sie auf das Symbol „KCR“.
- Klicken Sie auf die Scan-Schaltfläche.
- Wenn Sie nun eine Kreditkarte einlesen, können Sie sicherstellen, dass die Daten fehlerfrei erfasst werden. Dabei müssen auf allen drei Spuren die korrekten Daten der Kreditkarte angezeigt werden.

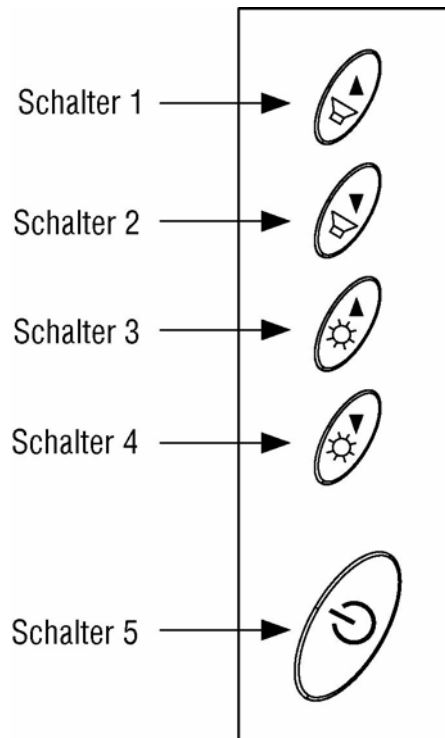
Testen des USB-Kartenlesers

- Klicken Sie auf das Symbol „UCR“.
- Klicken Sie auf die Scan-Schaltfläche.
- Wenn Sie nun eine Kreditkarte einlesen, können Sie sicherstellen, dass die Daten fehlerfrei erfasst werden. Dabei müssen auf allen drei Spuren die korrekten Daten der Kreditkarte angezeigt werden.

Bedienelemente

Für die Bedienung des Touchcomputers stehen zwei Bedienelemente zur Verfügung. Es gibt einen Helligkeitsregler und einen Lautstärkereger. Um die Helligkeit zu erhöhen, drücken Sie Schalter 3. Wenn Sie die Helligkeit verringern möchten, drücken Sie Schalter 4. Um die Lautstärke anzuheben, drücken Sie Schalter 1. Wenn Sie die Lautstärke verringern möchten, drücken Sie Schalter 2.

Touchcomputer-Bedienelemente



Netzschalter

Um das Gerät abzuschalten, halten Sie den Schalter 5 gedrückt. Zum Einschalten des Geräts müssen Sie ebenfalls Schalter 5 gedrückt halten. Um das Gerät bei laufendem Betrieb auszuschalten, halten Sie Schalter 5 gedrückt. Zum Einschalten des Geräts reicht in diesem Fall ein einmaliges Drücken des Netzschalters.

Netzschalter- und OSD-Sperre

Normalerweise dienen die fünf Schalter an der Seite des Monitors (s. Abbildung unter „Bedienelemente“) zum Ein- und Ausschalten des Geräts sowie zum Regeln der Helligkeit und Lautstärke. Durch Aktivieren der Netzschalter-Sperrfunktion lässt sich der Netzschalter außer Kraft setzen. Durch Aktivieren der OSD-Sperrfunktion lässt sich die Helligkeits- und Lautstärkeregelung außer Kraft setzen. Die OSD-Sperrfunktion wird durch gleichzeitiges Drücken von Schalter 1 und 2 aktiviert. Die Netzschalter-Sperrfunktion wird durch gleichzeitiges Drücken von Schalter 1 und 3 aktiviert. Bei Betätigung der Schalter wird ein Hinweis auf die gewählte Funktion eingeblendet. Um den Status der Netzschalter-Sperrfunktion einzustellen, müssen Sie Schalter 1 und 3 loslassen, sobald der gewünschte Status (Netzschalter gesperrt oder nicht gesperrt) angezeigt wird.

Um den Status der OSD-Sperrfunktion einzustellen, müssen Sie Schalter 1 und 2 loslassen, sobald der gewünschte Status (OSD gesperrt oder nicht gesperrt) angezeigt wird.

Technische Unterstützung

Die Kontaktinformationen für die technische Unterstützung zum Touchcomputer können Sie auf dreierlei Weise erhalten:

- über den Touchcomputer selbst
- über das Internet
- per Telefon

Diese Verfahren werden weiter unten erläutert.

Über den Touchcomputer

Sie können auf die Support-Informationen zugreifen, indem Sie unter Systemeigenschaften auf die Schaltfläche Support-Informationen klicken. Das Menü Systemeigenschaften können Sie nach einer der folgenden Methoden aufrufen:

- Klicken Sie mit der rechten Maustaste auf Eigene Dateien und wählen Sie Eigenschaften.
- Klicken Sie im Startmenü auf Systemsteuerung, und doppelklicken Sie auf das Symbol System.

Über das Internet

www.elotouch.com/support/default.asp

Über das Telefon

Die Nummer der Kundenunterstützung lautet +1-800-557-1458. Ihr Anruf ist kostenfrei.

SICHERHEITS- UND WARTUNGSHINWEISE

Bei der Wartung des Computers sind folgende Schritte durchzuführen:

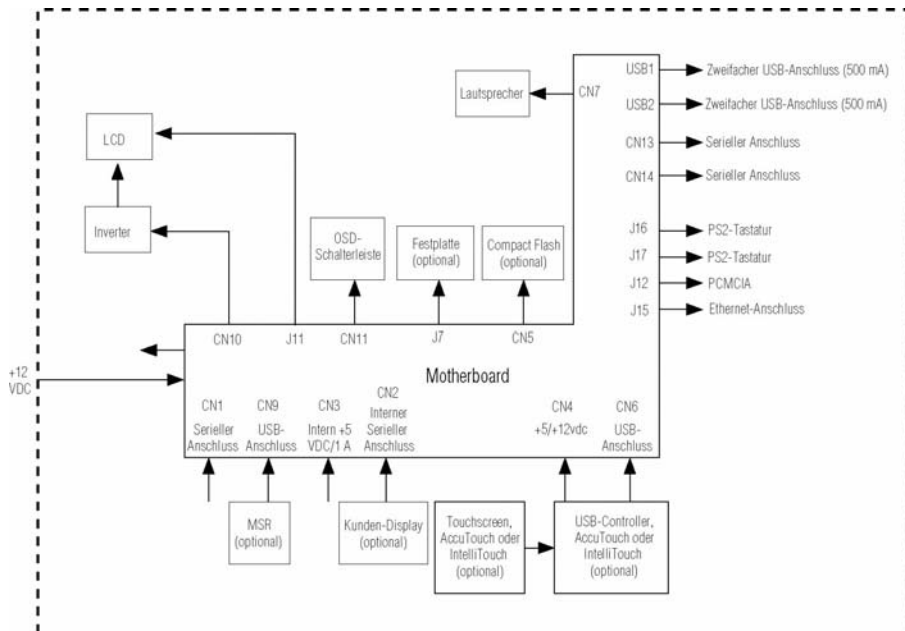
- Fahren Sie das Gerät ordnungsgemäß über das Menü des Betriebssystems herunter.
- Schalten Sie den Touchcomputer aus, und entfernen Sie alle externen Kabel.
- Wenn Sie den Touchcomputer öffnen, sollten Sie diesen hin und wieder an irgendwelchen metallischen Oberflächen wie z. B. dem Gehäuse oder einer Steckerhülse berühren.
- Gehen Sie behutsam mit den einzelnen Komponenten und Karten um. Berühren Sie nicht die elektronischen Bauteile der Karten. Beim Einbau eines Speicherbausteins sollten Sie diesen an den Rändern anfassen, nicht an den Kontakten.

TECHNISCHE BESCHREIBUNG

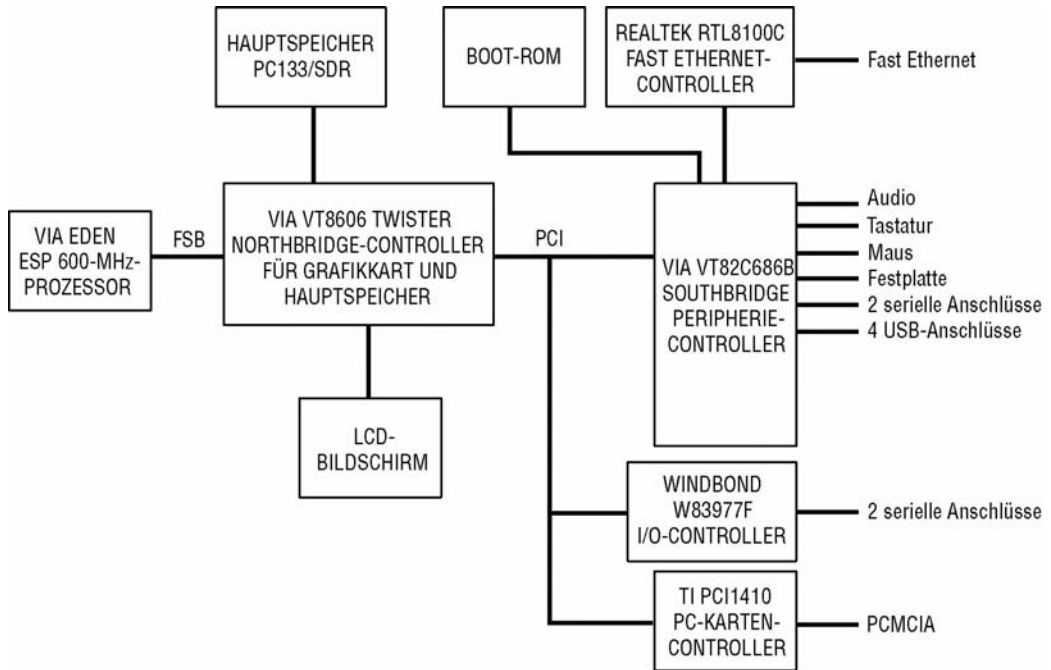
Blockdiagramm

Nachstehend ist der Touchcomputer in einem Blockdiagramm dargestellt:

Elo Touchcomputer - Blockdiagramm



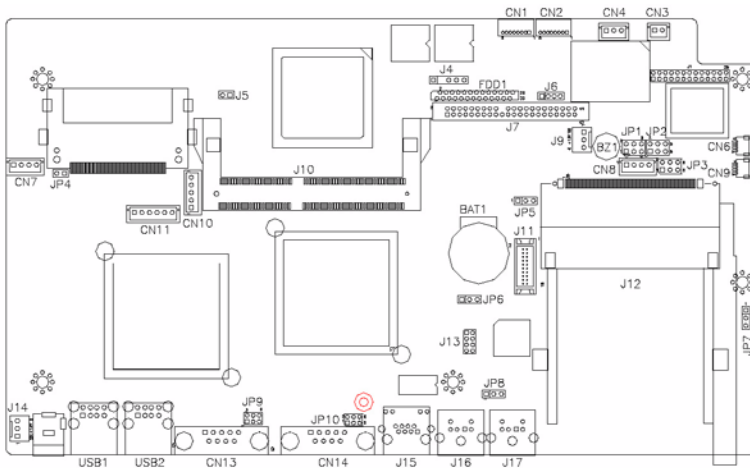
Motherboard - Blockdiagramm



Motherboard - Anschlüsse

An den Anschlüssen des Motherboards können Sie externe Geräte wie Tastatur, Disketten- und Plattenlaufwerke, Drucker usw. anschließen. In der folgenden Tabelle sind diese Anschlüsse mit ihren jeweiligen Funktionen aufgeführt.

Lage der Anschlüsse auf dem Motherboard



Motherboard - Anschlüsse

CN1, CN2: Anschlüsse COM4 und COM3

CN3: 5-V-Anschluss (+)

CN4: 5-V- und +12-V-Anschluss (+)

CN6, CN9: USB-Stiftsockel

CN10: Stecksockel Inverter-Spannungsversorgung (Anschlussleiste)

CN11: OSD-Steksockel (Anschlussleiste)

CN13, CN14: Serielle Anschlüsse COM1 und COM2

FDD1: Anschluss für Diskettenlaufwerk

USB1, USB2: USB-Anschlüsse

J4: IrDA-Anschluss

J6: LED für Reset-Taste und IDE

J7: IDE-Hauptanschlüsse

J9: Spannungsversorgung für Systemlüfter

J11: 24-Bit-LVDS-Anschluss (DF13-20)

J13: VGA CRT-Anschluss

J14: Spannungsversorgung für Systemlüfter

J16: PS/2-Tastaturanschluss

J17: PS/2-Mausanschluss

CN1, CN2: Anschlüsse COM4 und COM3



Pin-Nr.	Belegung
1	DCD
2	RXD
3	CTS
4	GND
5	TXD
6	RTS
7	DSR
8	DTR

CN3: 5-V-Anschluss (+)



Pin-Nr.	Belegung
1	+5 V
2	Masse

CN4: 5-V- und +12-V-Anschluss (+)



Pin-Nr.	Belegung
1	+5 V
2	Masse
3	+12 V

CN6, CN9: USB-Stiftsockel



Pin-Nr.	Belegung
1	Masse
2	USB-
3	USB+
4	Vcc

CN10 Vcc: Stecksocket Inverter-Spannungsversorgung (Anschlussleiste)



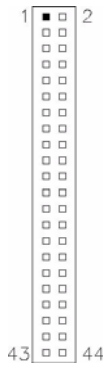
Pin-Nr.	Belegung
1	+12 V
2	Masse
3	Helligk.-Einst.
4	Hintergrundbel. Ein

CN11: OSD-Stecksocket (Anschlussleiste)



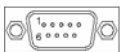
Pin-Nr.	Belegung
1	Lauter
2	Leiser
3	Heller
4	Dunkler
5	Masse
6	Netz Ein/Aus

J7: IDE-Hauptanschlüsse



Belegung	Pin-Nr.	Pin-Nr.	Belegung
IDE-Reset	1	2	Masse
Host-Daten 7	3	4	Host-Daten 8
Host-Daten 6	5	6	Host-Daten 9
Host-Daten 5	7	8	Host-Daten 10
Host-Daten 4	9	10	Host-Daten 11
Host-Daten 3	11	12	Host-Daten 12
Host-Daten 2	13	14	Host-Daten 13
Host-Daten 1	14	16	Host-Daten 14
Host-Daten 0	17	18	Host-Daten 15
Masse	19	20	Tastatur
DRQ0	21	22	Masse
Host IOW	23	24	Masse
Host IOR	25	26	Masse
IOCHRDY	27	28	Host ALE
DACK0	29	30	Masse
IRQ14	31	32	nicht belegt
ASDRAMess 1	33	34	nicht belegt
ASDRAMess 0	35	36	ASDRAMess 2
Chip-Auswahl 0	37	38	Chip-Auswahl 1
Aktivität	39	40	Masse
Vcc	41	42	Vcc
Masse	43	44	nicht belegt

CN13, CN147: Serielle Anschlüsse COM1 und COM2



Belegung	Pin-Nr.	Pin-Nr.	Belegung
DCD	1	6	DSR
RXD	2	7	RTS
TXD	3	8	CTS
DTR	4	9	RI
GND	5	10	NC

FDD1: Anschluss für Diskettenlaufwerk

FDD1 ist ein schmaler, 26-poliger Sockel, der Diskettenlaufwerke mit bis zu 2,88 MB unterstützt.



Belegung	Pin-Nr.	Pin-Nr.	Belegung
VCC	1	2	INDEX
VCC	3	4	DRV_SEL
VCC	5	6	DSK_CH
NC	7	8	NC
NC	9	10	MOTOR
DINST	11	12	DIR
NC	13	14	STEP
GND	14	16	WDATA
GND	17	18	WGATE
GND	19	20	TRACK
NC	21	22	WPROT
GND	23	24	RDATA
GND	25	26	SIDE

USB1, USB2: USB-Anschlüsse



Pin-Nr.	Belegung
1	Vcc
2	USB-
3	USB+
8	Masse

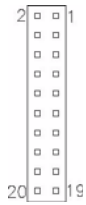
J9: Spannungsversorgung für Systemlüfter

J9 ist ein 3-poliger Stiftsockel für ein Zusatzgebläse. Als Gebläse ist ein 12-Volt-Lüfter zu verwenden.



Pin-Nr.	Belegung
1	Masse
2	+12 V
3	Drehzahlerfassung

J11: 24-Bit-LVDS-Anschluss (DF13-20)



Belegung	Pin-Nr.	Pin-Nr.	Belegung
TX0-	2	1	TX0+
Masse	4	3	Masse
TX1-	6	5	TX1+
5 V/3,3 V	8	7	Masse
TX3-	10	9	TX3+
TX2-	12	11	TX2+
Masse	14	13	Masse
TXC-	16	15	TXC+
5 V/3,3 V	18	17	ENABKL
12 V (+)	20	19	12 V (+)

J13: VGA-Monitoranschluss

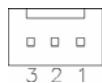
J13 ist ein 8-poliger Sockel für einen optionalen externen („weiblichen“) VGA-Monitoranschluss.



Belegung	Pin-Nr.	Pin-Nr.	Belegung
Rot	1	2	Vcc
Grün	3	4	Masse
Blau	5	6	nicht belegt
nicht belegt	7	8	nicht belegt
Masse	9	10	H-Sync
Masse	11	12	V-Sync
Masse	13	14	nicht belegt
Masse	15	19	nicht belegt

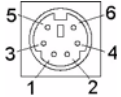
J14: Spannungsversorgung für Systemlüfter

J14 ist ein 3-poliger Stiftsockel für den optionalen Systemlüfter. Als Gebläse ist ein 12-Volt-Lüfter zu verwenden.



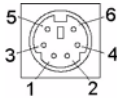
Pin-Nr.	Belegung
1	Masse
2	+12V
3	Drehzahlerfassung

J16: PS/2-Tastaturanschluss



Pin-Nr.	Belegung
1	Tastaturdaten
2	nicht belegt
3	GND (Masse)
4	5 V
5	Uhr (Tastatur)
6	nicht belegt

J17: PS/2-Mausanschluss



Pin-Nr.	Belegung
1	Mausdaten
2	nicht belegt
3	GND (Masse)
4	5 V
5	Uhr (Maus)
6	nicht belegt

Computerspezifische Angaben

Prozessor

- CPU - VIA Eden, 600 MHz Niederspannung oder gleichwertig

Hauptspeicher

- RAM - 256 MB, erweiterbar auf 512 MB

Energiesparfunktion

- APM 1.2-konform

Audiofunktion

- Stereo, Leistung 1 Watt pro Kanal

Betriebssystem

- Unterstützung für WinCE.Net Version 4.2
- Unterstützung für Windows 2000 Professional
- Unterstützung für Windows XP Professional

Anschlüsse

- Vier serielle Anschlüsse RS-232, zwei interne (CN2, CN1) sowie 2 externe Anschlüsse (CN13, CN14).
- Anschlüsse - externe Anschlüsse sind für herkömmliche DB9-Stecker vorgesehen.
- Sechs USB 1.1-Anschlüsse mit eigener Spannungsversorgung. Alle Anschlüsse sind auf 0,5 A (bei 5 VDC) ausgelegt. Die zwei Anschlüsse CN6 und CN9 sind intern, die vier anderen (USB1 bzw. USB2) extern angebracht.
- Die externen USB-Anschlüsse können jeweils mit zwei standardmäßigen USB-Steckern belegt werden.
- Ein Ethernet 100/10Base-T-Anschluss (J15)
- Ein PCMCIA 2.1-Steckplatz (J12)

- PS2-Tastatur (J16)
- PS2-Maus (J17)
- Eine Compact Flash-Buchse (CN5)
- Ein Festplattensockel an der Unterseite der Platine (J7)

Echtzeituhr

- Batteriegesicherte Echtzeituhr mit jahrhundertübergreifender Kalenderfunktion.
- Lithiumbatterie mit Fassung.
- OSD (On Screen Display)
 - Lautstärkeregler
 - Hintergrund-Helligkeit

Board Support Package für Windows CE.Net Version 4.2

Zur Unterstützung des Benutzers mit individuellen Software-Entwicklungen steht ein Board Support Package zur Verfügung. Das Board Support Package umfasst Folgendes:

- Installationsanweisungen
- Ein Plattform-Image, das dem Verzeichnis der WinCE-Plattform hinzugefügt werden kann.
- Eine CEC- oder ähnliche Datei zum Hinzufügen der Plattformfunktionen zum Platform Builder Catalog.
- Einen Boot Loader zur Unterstützung von Debugging und Downloads per Ethernet.
- Alle Tests sollten mit dem endgültigen Image des Elo-Systems durchgeführt werden.

Externe Anschlüsse

An der Außenseite des Touchcomputers stehen folgende Anschlüsse zur Verfügung:

- Vier USB-Anschlüsse
- Ethernet
- 2 serielle Anschlüsse

- PS2-Tastaturanschluss (ohne Tastatur)
- PS2-Mausanschluss (ohne Maus)
- Netzspannungsversorgung
- PCMCIA-Steckplatz mit Auswurfaste
- Compact Flash

Anzeige

Der LCD-Bildschirm besteht aus einer Einheit mit LCD-Anzeige, Inverter und OSD-Schalter. Performance des LCD-Displays:

Anzeigegröße	15,0 (diagonal)
Systemeigene Auflösung	1024 x 768 Pixel
Farbauflösung	6,2 Millionen Farben, 6 Bit+FRC
Anzeigeart	a-Si TFT Aktivmatrix
Kontrastverhältnis typisch	500:1
Helligkeit typisch/minimal	LCD 350 cd/m ² AccuTouch287 cd/m ² IntelliTouch322 cd/m ²
Reaktionszeit typisch	Von Dunkel nach Hell 9 ms/Von Hell nach Dunkel 16 ms
Vertikaler Betrachtungswinkel typisch	60° (abwärts betrachtet)/45° (aufwärts betrachtet), KV = 10 70° (abwärts betrachtet)/55° (aufwärts betrachtet), KV = 5
Horizontaler Betrachtungswinkel typisch	60° (von links betrachtet)/60° (von rechts betrachtet), KV = 10 75° (abwärts betrachtet)/75° (aufwärts betrachtet), KV = 5
Farbort	Farbortkoordinaten liegen innerhalb der in der Tabelle angegebenen Bereiche

TABELLE 1. Farbortwerte

	Symbol	Minimal	Typisch	Maximal
Farbort Weiß	Wx	0.282	0.312	0.342
	Wy	0.288	0.318	0.348
Farbort Rot	Rx	0.613	0.6437	0.673
	Ry	0.314	0.344	0.374
Farbort Grün	Gx	0.274	0.304	0.334
	Gy	0.536	0.566	0.596
Farbort Blau	Bx	0.111	0.141	0.171
	By	0.055	0.085	0.115

Touchscreen-Einheit

Die Touchscreen-Einheit besteht aus dem Tastbildschirm und einem Controller. AccuTouch- und IntelliTouch-Tastbildschirme sind als Zubehör erhältlich und werden an den USB-Anschlüssen des Motherboards angeschlossen.

Externes Netzteil (12 VDC)

Die Spannungsversorgung des Touchcomputers (12 VDC) erfolgt über ein universelles externes Netzteil mit folgenden Merkmalen:

- Eingangsspannung 85 bis 263 VAC
- Eingangsfrequenz 47 bis 63 Hz
- Ausgangsspannung 12 VDC
- Ausgangstoleranz +/- 2 %
- Ausgangsstrom 5 Ampère

Ständer

Der Ständer dient als Stütze für den LCD-Bildschirm und ermöglicht die Anpassung des Betrachtungswinkels für den Benutzer.

Kunden-Display

Das Kunden-Display ist ein VFD (Vacuum Fluorescent Display) mit zwanzig Stellen in zwei Zeilen. Es besteht aus der VFD-Einheit und dem VFD-Controller. Neben dem seriellen Versions-Controller steht ein USB-Controller zur Verfügung. Das eigentliche VFD ist sowohl auf die serielle als auch auf die USB-Version abgestimmt. Bei der CE-Ausführung wird nur die serielle Version verwendet, da kein CE USB-Treiber verfügbar ist.

Optische Parameter

Zeichen pro Zeile	20
Anzahl der Zeilen	2
Zeichensatz	5 x 7 Punktmatrix
Zeichenhöhe	9,5 mm
Zeichenbreite	6,2 mm
Zeichensatz	ASCII
Zeichenfarbe	Blaugrün
MTBF	300.000 Stunden

Magnetstreifenleser (USB)

Beim USB-Kartenleser handelt es sich um einen vom USB-Anschluss gespeisten MSR, der den Normen ISO und ANSI entspricht. Der USB-MSR ist mit HID- oder Tastaturemulation erhältlich. Die Leseinheit liest normalerweise bei standardisierten Kreditkarten (ggf. auch Führerscheinen) alle drei Streifen ein. Die Leseinheit entspricht der USB-Klassenspezifikation HID (Human Interface Device) Version 1.1. Die Kommunikation erfolgt über einen USB-Anschluss der Revision 1.1. Über eine grüne LED wird der Bediener fortwährend über den Status der Lesevorgänge informiert.

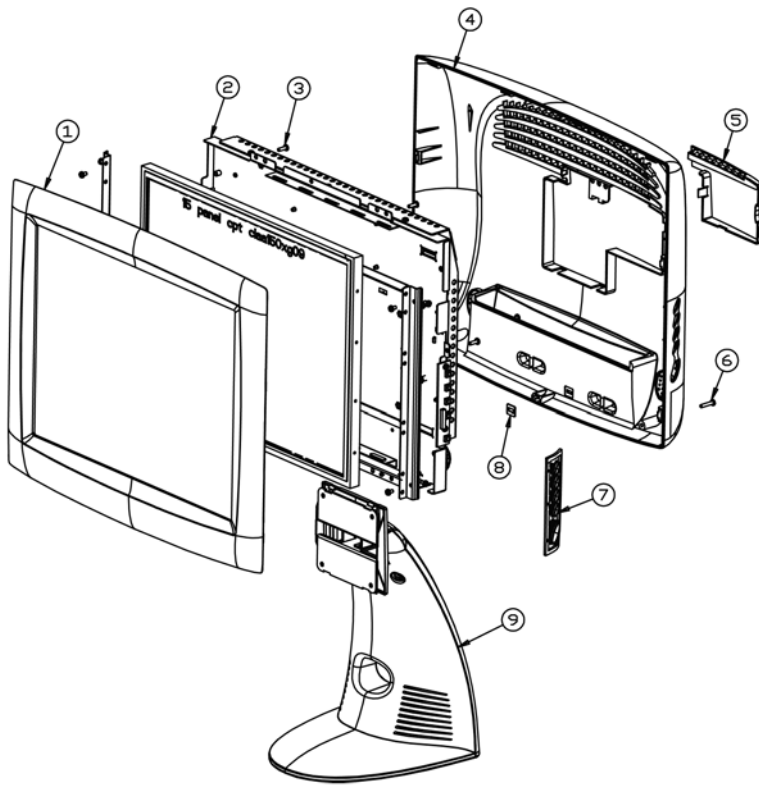
Technische Daten

Referenz-Standards Gemäß zutreffenden Standards	ISO (International Standards Organization), ANSI (American National Standards Institute), California Drivers License, American Association of Motor Vehicle Administrators
Spannungsversorgung	über USB-Anschluss
Nachrichtenformat	ACCII
Kartengeschwindigkeit	3 bis 50 IPS
MTBF	Elektronik 125.000 Std., Kopf 1.000.000 Durchgänge
Betriebsstrom	max. 30 mA
Ruhestrom	max. 300 µA
Länge	100 mm
Breite	max. 32,5 mm

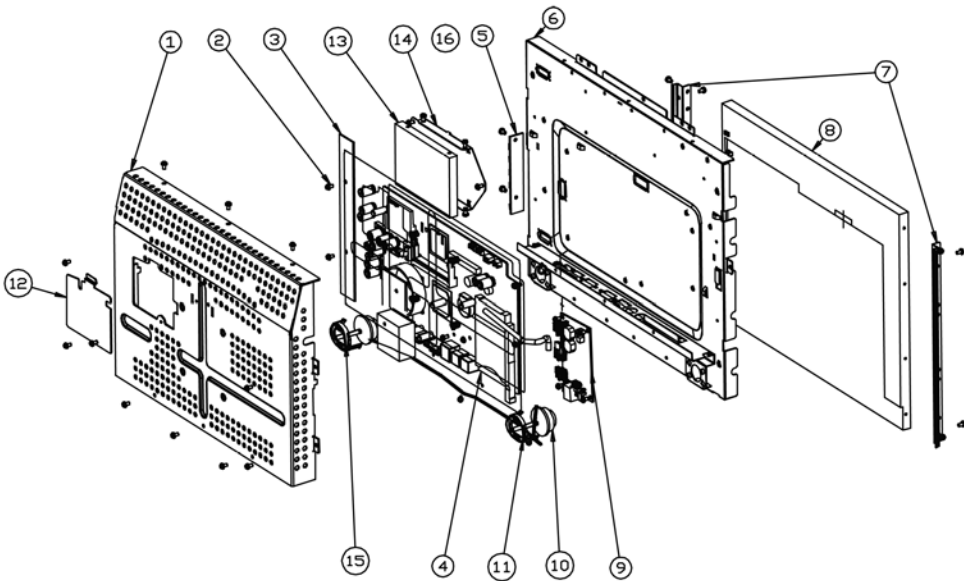
ANORDNUNG DER KOMPONENTEN

Nachstehend finden Sie eine grafische Gesamtansicht des Touchcomputers mit den wesentlichen in Kapitel 1 beschriebenen Bauteilen.

Aufbau des Touchcomputers



Explosionsansicht



KOMPONENTEN

Externes Netzteil (12 VDC)

Die Spannungsversorgung (12 VDC) erfolgt über ein universelles externes Netzteil. Leistungsvoraussetzungen:

- Eingangsspannung 85 bis 263 VAC
- Eingangsfrequenz 47 bis 63 Hz
- Ausgangsspannung 12 VDC
- Ausgangstoleranz +/- 2 %

Hauptspeicher- und Festplattenoptionen

Windows 2000 Pro und Windows XP Pro

- Plattenlaufwerk vorhanden, 20 GB oder mehr
- 256 MB vorhanden
- Kein Compact Flash

Windows CE.Net Version 4.2

- Kein Plattenlaufwerk
- 64 MB oder mehr, Compact Flash vorhanden

Netzkabel

Externe Kabel

Folgende Kabel sind im Lieferumfang enthalten:

- Netzkabel (USA) für externe Spannungsversorgung
- Netzkabel (Europa) für externe Spannungsversorgung
- Verbindungskabel vom externen Netzteil (12 VDC) zum Touchcomputer.

Alle Kabel sind ca. 2 Meter lang.

UMGEBUNGSANFORDERUNGEN

Temperatur

Betriebstemperatur (höhenunabhängig)	0 bis +40 °C
Im Ruhezustand (höhenunabhängig)	-30 bis +60 °C

Feuchtigkeit

Im Betrieb (nicht kondensierend)	20 bis 80 %
Im Ruhezustand 5 bis 95 % (bei einer Messtemperatur von max. 38,7 °C)	5 bis 95 %

Höhe

Im Betrieb 0 bis 3.658 m	(entspricht 14,7 bis 10,1 psi.a.)
Im Ruhezustand 0 bis 12.192 m	(entspricht 14,7 bis 4.4 psi.a.)

HINWEISE ZUR HANDHABUNG

I. Sicherheitshinweise zur Elektrik:

A) Die auf dem Etikett des Herstellers angegebenen Anforderungen bezüglich Spannung, Frequenz und Stromstärke müssen erfüllt sein. Bei Nichtbeachtung der in dieser Dokumentation genannten Anforderungen und Einschränkungen hinsichtlich der zu verwendenden Spannungsquelle ist mit einem fehlerhaften Betrieb oder einer Beschädigung der Gerätschaften bis hin zur Brandauslösung zu rechnen.

B) Innerhalb des Geräts befinden sich keine vom Bediener zu wartenden Teile. Dieses Gerät erzeugt eine Hochspannung, die unter Umständen ein Sicherheitsrisiko darstellen können. Die Wartung des Geräts darf nur von qualifiziertem Fachpersonal vorgenommen werden.

C) Das Gerät verfügt über ein abnehmbares Netzkabel, das für den Anschluss an eine geerdete Steckdose mit einer Erdungsleitung versehen ist.

1) Ersetzen Sie das mitgelieferte Kabel nicht durch ein Kabel anderen Typs. Verwenden Sie auf keinen Fall einen zweipoligen Adapter (Flachstecker), da hierdurch die Verbindung zur Erde unterbrochen würde.

2) Die Erdungsleitung ist eine wichtige Voraussetzung für die Sicherheit des Geräts. Jegliche Veränderung oder Zweckentfremdung kann zu einem Stromstoß mit u. U. lebensgefährlichen Verletzungen führen.

3) Sollten Sie Fragen zur Installation haben, wenden Sie sich an einen qualifizierten Elektriker oder an den Hersteller, bevor Sie das Gerät an das Stromnetz anschließen.

II. Hinweise zu Störsicherheit und Emission

A) Hinweis für Benutzer in den Vereinigten Staaten: Dieses Gerät wurde getestet und hält die Grenzwerte für digitale Geräte der Klasse B gemäß FCC-Richtlinien Abschnitt 15 ein. Diese Grenzen gewährleisten bei der Installation in Wohngebieten einen ausreichenden Schutz vor Störungen. Dieses Gerät kann Energie im HF-Bereich erzeugen, verwenden und abstrahlen. Wird es nicht nach Maßgabe der Bedienungsanleitung installiert, kann es zu Störungen der Kommunikation im HF-Bereich kommen.

B) Hinweis für Benutzer in Kanada: Dieses Gerät hält die Grenzwerte der Klasse B für Störgeräusche digitaler Geräte gemäß den Richtlinien Radio Interference Regulations der Industrie Canada ein.

C) Hinweis für Benutzer in der Europäischen Union: Verwenden Sie nur die dem Gerät beiliegenden Netz- und Verbindungskabel. Durch das Ersetzen mitgelieferter Kabel oder zugehöriger Komponenten kann u. U. die elektrische Sicherheit beeinträchtigt oder die Gültigkeit des CE-Zeichens für den Emissionsschutz gemäß den folgenden Standards aufgehoben werden:

Dieses Gerät ist als ITE (Information Technology Equipment) eingestuft und muss auf dem Etikett des Herstellers mit dem CE-Zeichen versehen sein, um darauf hinzuweisen, dass es gemäß folgender Vorschriften und Standards geprüft wurde:

Dieses Gerät wurde hinsichtlich der CE-Anforderungen gemäß EMC-Vorschrift 89/336/EG zur elektromagnetischen Verträglichkeit gemäß Euro-Norm EN 55 022, Klasse B, und der Vorschrift 73/23/EG für Niederspannungsgeräte gemäß Euro-Norm EN 60 950 getestet.

D) Allgemeiner Hinweis für alle Benutzer: Dieses Gerät erzeugt bzw. verwendet Radiowellen, die es u. U. auch ausstrahlt. Wird das Gerät abweichend von den Anweisungen dieses Handbuchs installiert bzw. verwendet, ist beim Betrieb von Radio- und Fernsehgeräten mit Störungen zu rechnen. Der Hersteller übernimmt jedoch keine Garantie für eine absolute Störungsfreiheit bei jeder Installation, da diese je nach Standort beeinträchtigt werden kann.

1) Für die Einhaltung der Emissionsschutzanforderungen ist Folgendes zu beachten:

- a) Verwenden Sie für den Anschluss dieses Digitalgeräts an irgendeinen Computer nur die mitgelieferten I/O-Kabel.
- b) Verwenden Sie nur das mitgelieferte, vom Hersteller zugelassene Anschlusskabel, da dieses der Norm entspricht.
- c) Es wird darauf hingewiesen, dass jegliche bauliche oder sonstige Veränderung des Geräts, die nicht ausdrücklich von der zuständigen Stelle für Konformität genehmigt wurde, zum Erlöschen der Betriebserlaubnis für das Gerät führen kann.

2) Wenn dieses Gerät offensichtlich Störungen bei einem Radio, Fernseher oder ande

- a) Schalten Sie das Gerät ein und aus, um festzustellen, ob die Störungen hiervon ausgehen.
- b) Sollten Sie feststellen, dass die Störungen von diesem Gerät ausgehen, versuchen Sie diese wie folgt zu beheben:
 - i) Stellen Sie das Digitalgerät weiter weg vom betreffenden Empfangsgerät.
 - ii) Verändern Sie die Position bzw. Ausrichtung des Digitalgeräts gegenüber dem betreffenden Empfangsgerät.
 - iii) Richten Sie die Antenne des betreffenden Empfangsgeräts neu aus.
 - iv) Schließen Sie das Digitalgerät an eine andere Steckdose an, so dass es über einen anderen Stromkreis abgesichert ist als das Empfangsgerät.
 - v) Entfernen Sie alle nicht benötigten I/O-Kabel vom Digitalgerät. (Nicht abgeschlossene I/O-Kabel sind eine mögliche Quelle für einen hohen Störgeräuschpegel.)

vi) Schließen Sie das Digitalgerät nur an eine geerdete Steckdose an. Verwenden Sie keinen Wechselstromstecker. (Das Entfernen oder Durchtrennen des Anschlusskabels kann eine Erhöhung des Störgeräuschpegels sowie u. U. einen Stromstoß mit tödlichen Folgen verursachen.)

Sollten Sie weitere Hilfe benötigen, wenden Sie sich an Ihren Händler, den Hersteller oder einen erfahrenen Radio- oder Fernsehtechniker



“The application of this monitor is restricted to special controlled luminous environments. The screen surface tends to reflect annoying light of lamps and sunlight. To avoid these reflections the monitor should not be positioned in front of a window or directed to luminaries. The monitor is in compliance with Reflection Class III according to ISO 13406-2”

„Die Anwendung dieses Bildschirms ist auf speziell kontrollierte Umgebungsbeleuchtungen eingeschränkt. Die Bildschirmoberfläche neigt zu störenden Spiegelungen von Lampen und Sonnenlicht. Um diese Reflexionen zu vermeiden, sollte der Monitor nicht auf Fenster und Beleuchtungseinrichtungen ausgerichtet sein. Der Monitor erfüllt die Reflexionsklasse III nach ISO 13406-2“.

CAUTION

Danger of explosion if battery is incorrectly replaced. Replace only with the same or equivalent type recommended by the manufacturer. Dispose of used batteries according to the manufacturer’s instructions.

VORSICHT

Explosionsgefahr bei unsachgemäßen Austausch der Batterie. Ersatz nur durch denselben oder einem vom Hersteller empfohlenem ähnlichen Typ. Entsorgung gebrauchter Batterien nach Angaben des Herstellers.

GARANTIE

Der Verkäufer garantiert dem Käufer, dass das Produkt frei von jeglichen Fehlern hinsichtlich des Materials und der Verarbeitung ist, sofern nicht in diesem Dokument oder in einer Auftragsbestätigung an den Käufer explizit auf derartige Fehler hingewiesen wird. Der Garantiezeitraum für den Touchcomputer und dessen Komponenten beträgt ein Jahr.

Der Verkäufer übernimmt keine Garantie hinsichtlich der Modellversionen der eingesetzten Komponenten. Den Lieferanten des Verkäufers sind gelegentliche Änderungen an den Komponenten zu jeder Zeit vorbehalten.

Der Käufer verständigt den Verkäufer umgehend in schriftlicher Form, spätestens dreißig (30) Tage nach Feststellung, über jegliche ihm bekannten Fehler der vom Käufer erworbenen Produkte. Nach Verstreichen dieser Frist erlöscht der Anspruch auf die betreffende Garantieleistung. Der Käufer muss in seiner Erklärung die mit dem Fehler zusammenhängenden Symptome auf nachvollziehbare Art und Weise beschreiben und, sofern möglich, dem Verkäufer Gelegenheit geben, das Produkt in der gegebenen Installation zu untersuchen. Die Mitteilung muss innerhalb des Garantiezeitraums des Produkts beim Verkäufer eingehen, sofern keine anderweitige Verfügung seitens des Verkäufers in schriftlicher Form vorliegt. Der Käufer verpackt das beanstandete Produkt innerhalb von dreißig (30) Tagen nach Einsendung der o. g. Mitteilung in der Originalverpackung oder einem gleichwertigen Ersatz und versendet es auf eigene Kosten und unter eigener Haftung an den Verkäufer.

Der Verkäufer behebt die betreffenden Fehler innerhalb eines angemessenen Zeitraums nach Erhalt des vom Käufer beanstandeten Produkts sowie nach Überprüfung durch den Verkäufer, wobei es im Ermessen des Verkäufers liegt, entweder (i) das Produkt zu verändern bzw. instand zu setzen oder (ii) das Produkt auszutauschen. Umbau, Instandsetzung oder Austausch des Produkts sowie dessen Rücksendung an den Käufer einschließlich Transportversicherung gehen zu Lasten des Verkäufers. Der Käufer haftet bei Verlust oder etwaigen Beschädigungen während des Transports und versichert ggf. das Produkt nach eigenem Ermessen. Sollte der Verkäufer ein beanstandetes Produkt als nicht fehlerhaft erachten, erstattet der Käufer dem Verkäufer die mit der Beanstandung zusammenhängenden Transportkosten. Der Umbau bzw. die Instandsetzung eines Produkts kann nach Ermessen des Verkäufers entweder in dessen Niederlassung oder vor Ort in den Geschäftsräumen des Käufers erfolgen. Ist der Verkäufer nicht in der Lage, das Produkt gemäß den o. g. Garantien zu modifizieren, instand zu setzen oder auszutauschen, muss der Verkäufer dem Käufer angemessenen Ersatz leisten. Dabei liegt es im Ermessen des Verkäufers, entweder den Kaufpreis des Produkts abzüglich der linear berechneten Wertminderung über den vom Verkäufer angegebenen Garantiezeitraum zu erstatten oder diesem eine entsprechende Gutschrift auszustellen.

DIE HIER AUFGEFÜHRTEN RECHTSMITTEL SIND AUSSCHLIESSLICHE RECHTSMITTEL DES KÄUFERS FÜR DEN FALL EINER VERLETZUNG DER GARANTIERECHTE. DER VERKÄUFER GEWÄHRT KEINE WEITEREN GARANTIELEISTUNGEN ALS DIE OBEN AUSDRÜCKLICH AUFGEFÜHRTEN, WEDER EXPLIZIT GEÄUSSERTE NOCH PER GESETZ ODER IN SONSTIGER FORM IMPLIZIERTE, IM HINBLICK AUF SEINE PRODUKTE, DEREN EIGNUNG FÜR IRGENDWELCHE ZWECKE SOWIE IHRE QUALITÄT, AUCH NICHT BEI ZUWIDERHANDLUNG ODER IN ANDEREN FÄLLEN. WEDER IRGEND EIN MITARBEITER DES VERKÄUFERS NOCH IRGEND EINE ANDERE PERSON IST BERECHTIGT, ANDERE ALS DIE IN DIESEM DOKUMENT AUFGEFÜHRTEN GARANTIELEISTUNGEN BEZÜGLICH DER PRODUKTE DES VERKÄUFERS ZU GEWÄHREN. DIE HAFTUNG DES VERKÄUFERS IM RAHMEN DER GARANTIE IST AUF DIE ERSTATTUNG DES KAUFPREISES DES PRODUKTS BESCHRÄNKT. DER VERKÄUFER ÜBERNIMMT UNTER KEINEN UMSTÄNDEN DIE KOSTEN FÜR DIE BESCHAFFUNG ODER INSTALLATION VON ERSATZGERÄTEN DURCH DEN KÄUFER ODER FÜR IRGENDWELCHE SCHÄDEN BZW. FOLGESCHÄDEN, DIE UNTER BESONDEREN UMSTÄNDEN, INDIRECT ODER ZUFÄLLIG, ENTSTEHEN.

Der Käufer übernimmt die Haftung (i) in Bezug auf die Beurteilung der Eignung des Produkts sowie damit zusammenhängender Entwürfe und Zeichnungen für die vom Käufer beabsichtigte Verwendung und (ii) in Bezug auf die Feststellung, inwieweit die vom Käufer beabsichtigte Verwendung mit irgendwelchen Normen, rechtlichen Bestimmungen, Gesetzesbüchern und sonstigen Regularien zu vereinbaren ist. Des Weiteren sichert der Käufer dem Verkäufer bezüglich der Punkte (i) und (ii) in diesem Absatz Straffreiheit zu und hält den Verkäufer diesbezüglich schadlos. Der Käufer übernimmt und behält die volle Verantwortung für Garantie- und sonstige Forderungen, die mit Produkten des Käufers zusammenhängen bzw. auf Produkte des Käufers zurückzuführen sind, die in irgendeiner Weise mit den vom Verkäufer hergestellten oder gelieferten Produkten oder Komponenten ausgestattet sind. Der Käufer ist für jegliche Darstellung und Garantie hinsichtlich der vom Käufer hergestellten oder genehmigten Produkte allein verantwortlich. Der Käufer sichert dem Verkäufer hinsichtlich jeglicher Verbindlichkeiten, Forderungen, Verluste, Kosten oder Aufwendungen einschließlich Anwaltskosten, die den Produkten des Käufers bzw. irgendwelchen Darstellungen oder Garantien bezüglich derselben zuzuschreiben sind, Straffreiheit zu und hält den Verkäufer diesbezüglich schadlos.

Bei LCD-Bildschirmen ist es charakteristisch, dass nach dem Abschalten ein sogenanntes Geisterbild für eine bestimmte Dauer auf dem Bildschirm sichtbar bleibt. Um dem Geisterbild-Effekt entgegenzuwirken, empfiehlt es sich, so oft wie möglich den Bildschirmschoner und den Energiesparmodus einzusetzen.



INDEX



A

Anordnung der Komponenten, 33

B

Blockdiagramm, 19

G

Garantie, 45

H

Hinweise zu Störsicherheit und Emission, 41

Hinweise zum Produkt, 3

Hinweise zur Handhabung, 41

K

Komponenten, 37

S

Sicherheitshinweise zur Elektrik
, 41

T

Technische Beschreibung, 19

Troubleshooting, 19, 33, 37, 39

U

Umgebungsanforderungen, 39

Unpacking Your Touchmonitor, 11

V

Vorsichtsmaßnahmen, 3

Besuchen Sie uns im Internet

www.elotouch.com

Topaktuell:

- **Produktinformationen**

 - **Technische Daten**

 - **Geplante Events**

 - **Pressemitteilungen**

 - **Software-Treiber**
-

So nehmen Sie Kontakt mit uns auf:

Weitere Informationen zur umfassenden Produktpalette von Elo Touch Systems erhalten Sie auf unserer Website www.elotouch.com oder telefonisch bei einem unserer Büros:

USA (Hauptsitz)

Elo TouchSystems, Inc.
301 Constitution Drive,
Menlo Park, CA 94025.

(800) ELO-TOUCH (800-356-8682)
Tel.: +1 650-361-4700
Fax: +1 650-361-4747
eloinfo@elotouch.com

Deutschland

Elo TouchSystems GmbH & Co. KG
Haidgraben 6
D-85521 Ottobrunn
Deutschland

Tel.: +49 (89) 60822-0
Fax: +49 (89) 60822-150
elosales@elotouch.com

Belgien

Elo TouchSystems
Diestsesteenweg 692
B-3010 Kessel-Lo
Belgien

Tel.: +32 (16) 35-2100
Fax: +32 (16) 35-2101
elosales@elotouch.com

Japan

Touch Panel Systems K.K
Sun Homada Bldg. 2F
1-19-20 Shin-Yokohama,
Kanagawa 222-0033
Japan

Tel.: +81 (45) 478-2161
Fax: +81 (45) 478-2180
www.tps.co.jp

tyco
Electronics

