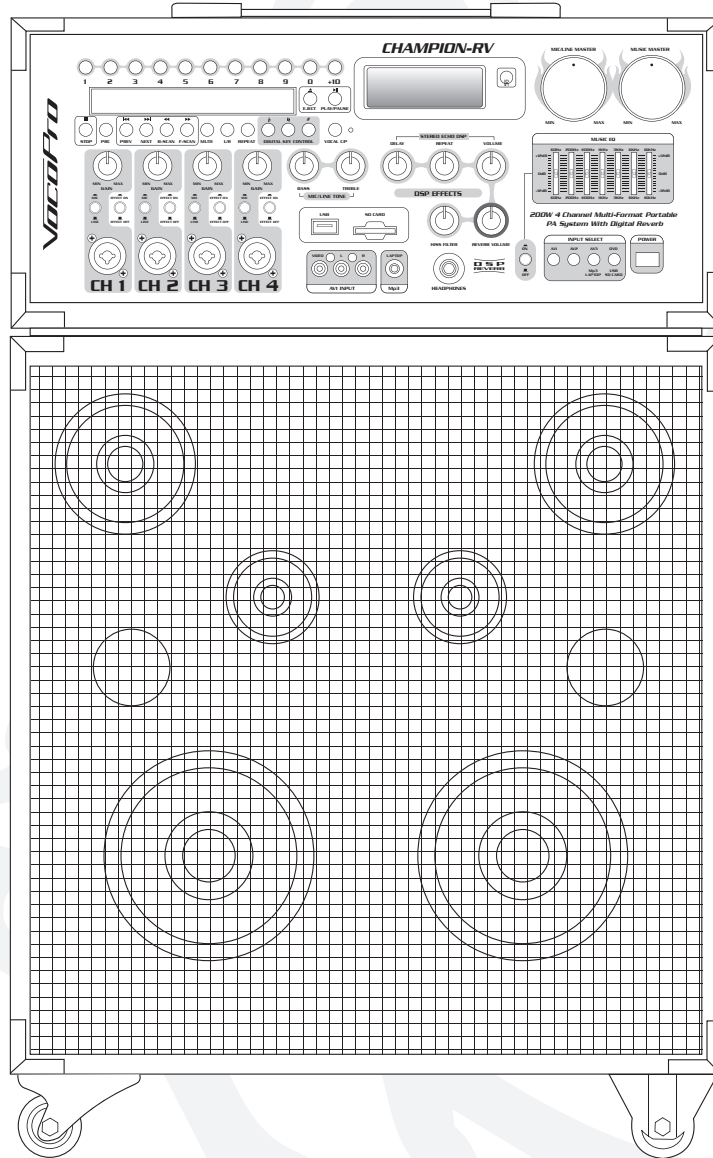
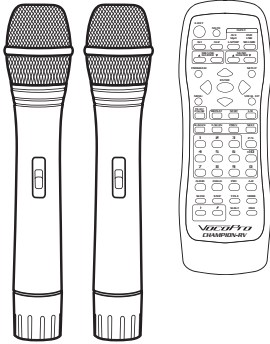


VocoPro[®]

PROFESSIONAL VOCAL SYSTEMS[™]



CHAMPION-RV

Portable Mini-Concert System

o w n e r ' s m a n u a l

Table of Contents

Important Safety Instructions	4
FCC Information	5
Listening for a Lifetime.....	6
Welcome	7
Features and Specs.....	8
Getting Started	9
Getting Connected.....	10-11
Descriptions and Functions	
Front Panel.....	12-15
Rear Panel	16
Remote Control.....	17-18
Basic Operations.....	19-20
Setup Menu	21-22
Troubleshooting	23

Important Safety Instructions



CAUTION RISK OF SHOCK



CAUTION: To reduce the risk of electric shock, do not remove cover (or back). No user-serviceable parts inside. Only refer servicing to qualified service personnel.

Protect the power cord from being walked on or pinched particularly at the plugs, convenience receptacles, and at the point where they exit from the apparatus.

Only use attachments/accessories specified or provided by the manufacturer (such as the exclusive supply adapter, battery etc).

Explanation of Graphical Symbols



The lightning flash & arrowhead symbol, within an equilateral triangle, is intended to alert you to the presence of danger.



The exclamation point within an equilateral triangle is intended to alert you to the presence of important operating and servicing instructions.

WARNING

To reduce the risk of fire or electric shock, do not expose this unit to rain or moisture.



Use only with the cart, stand, tripod, bracket, or table specified by the manufacturer, or sold with the apparatus. When a cart or rack is used, use caution when moving the cart/apparatus combination to avoid injury from tip-over.

Unplug the apparatus during lightning storms or when unused for long periods of time.

Refer all servicing to qualified personnel. Servicing is required when the apparatus has been damaged in any way, such as power supply cord or plug is damaged, liquid has been spilled or objects have fallen into the apparatus has been exposed to rain or moisture, does not operate normally, or has been dropped.

Please keep the unit in a good ventilation environment.

Read these instructions.

Keep these instructions.

Heed all warnings.

Follow all instructions.

Do not use this apparatus near water.

Clean only with dry cloth.

Do not block any ventilation openings. Install in accordance with the manufacturer's instructions.

Do not install near any heat sources such as radiators, heat registers, stoves, or other apparatus (including amplifiers) that produce heat.

Do not defeat the safety purpose of the polarized or grounding plug. A polarized plug has two blades with one wider than the other. A grounding plug has two blades and a third grounding prong. The wide blade or the third prong is provided for your safety. If the provided plug does not fit into your outlet, consult an electrician for replacement of the obsolete outlet.

Note:

To CATV system installer's (U.S.A.): This reminder is provided to call the CATV system installer's attention to Article 820-40 of the NEC that provides guidelines for proper grounding and, in particular, specifies that the cable ground shall be connected as close to the point of cable entry as practical.

FCC Information

1. IMPORTANT NOTICE: DO NOT MODIFY THIS

UNIT!: This product, when installed as indicated in the instructions contained in this manual, meets FCC requirements. Modifications not expressly approved by Vocopro may void your authority, granted by the FCC, to use this product.

2. IMPORTANT: When connecting this product to accessories and/or another product use only high quality shielded cables. Cable(s) supplied with this product **MUST** be used. Follow all installation instructions. Failure to follow instructions could void your FCC authorization to use this product in the U.S.A.

3. NOTE: This product has been tested and found to comply with the requirements listed in FCC Regulations, Part 15 for Class "B" digital devices. Compliance with these requirements provides a reasonable level of assurances that your use of this product in a residential environment will not result in harmful interference with other electronic devices. This equipment generates/uses radio frequencies and, if not installed and used according to the instructions found in the owner's manual, may cause interference harmful to the operation of other electronic devices. Compliance with FCC regulations does not guarantee that interference will not occur in all installations. If this product is found to be the source of interference, which can be determined by turning the unit "Off" and "On", please try to eliminate the problem by using one of the following measures:

Relocate either this product or the device that is being affected by the interference.

Use power outlets that are on different branch (circuit breaker or fuse) circuits or install AC line filter(s).

In the case of radio or TV interference, relocate/reorient the antenna. If the antenna lead-in is 300-ohm ribbon lead, change the lead-in to coaxial type cable.

If these corrective measures do not produce satisfactory results, please contact your local retailer authorized to distribute Vocopro products. If you can not locate the appropriate retailer, please contact Vocopro, 1728 Curtiss Court, La Verne, CA 91750.

CAUTION

The apparatus is not disconnected from the AC power source so long as it is connected to the wall outlet, even if the apparatus itself is turned off. To fully ensure that the apparatus is indeed fully void of residual power, leave unit disconnected from the AC outlet for at least fifteen seconds.

CAUTION:

READ THIS BEFORE OPERATING YOUR UNIT

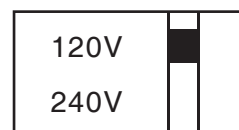
1. To ensure the finest performance, please read this manual carefully. Keep it in a safe place for future reference.
2. Install your unit in a cool, dry, clean place - away from windows, heat sources, and too much vibration, dust, moisture or cold. Avoid sources of hum (transformers, v motors). To prevent fire or electrical shock, do not expose to rain and water.
3. Do not operate the unit upside-down.
4. Never open the cabinet. If a foreign object drops into the set, contact your dealer.
5. Place the unit in a location with adequate air circulation. Do not interfere with its proper ventilation; this will cause the internal temperature to rise and may result in a failure.
6. Do not use force on switches, knobs or cords. When moving the unit, first turn the unit off. Then gently disconnect the power plug and the cords connecting to other equipment. Never pull the cord itself.
7. Do not attempt to clean the unit with chemical solvents: this might damage the finish. Use a clean, dry cloth.
8. Be sure to read the "Troubleshooting" section on common operating errors before concluding that your unit is faulty.
9. This unit consumes a fair amount of power even when the power switch is turned off. We recommend that you unplug the power cord from the wall outlet if the unit is not going to be used for a long time. This will save electricity and help prevent fire hazards. To disconnect the cord, pull it out by grasping the plug. Never pull the cord itself.
10. To prevent lightning damage, pull out the power cord and remove the antenna cable during an electrical storm.
11. The general digital signals may interfere with other equipment such as tuners or receivers. Move the system farther away from such equipment if interference is observed.

NOTE:

Please check the copyright laws in your country before recording from records, compact discs, radio, etc. Recording of copyrighted material may infringe copyright laws.

Voltage Selector (General Model Only)

Be sure to position the voltage selector to match the voltage of your local power lines before installing the unit.



Listening for a Lifetime

Selecting fine audio equipment such as the unit you've just purchased is only the start of your musical enjoyment. Now it's time to consider how you can maximize the fun and excitement your equipment offers. VocoPro and the Electronic Industries Association's Consumer Electronics Group want you to get the most out of your equipment by playing it at a safe level. One that lets the sound come through loud and clear without annoying blaring or distortion and, most importantly, without affecting your sensitive hearing.

Sound can be deceiving. Over time your hearing "comfort level" adapts to a higher volume of sound. So what sounds "normal" can actually be loud and harmful to your hearing. Guard against this by setting your equipment at a safe level BEFORE your hearing adapts.

To establish a safe level:

- Start your volume control at a low setting.
- Slowly increase the sound until you can hear it comfortably and clearly, and without distortion.

Once you have established a comfortable sound level:

- Set the dial and leave it there.
- Pay attention to the different levels in various recordings.

Taking a minute to do this now will help to prevent hearing damage or loss in the future. After all, we want you listening for a lifetime.

Used wisely, your new sound equipment will provide a lifetime of fun and enjoyment. Since hearing damage from loud noise is often undetectable until it is too late, this manufacturer and the Electronic Industries Association's Consumer Electronics Group recommend you avoid prolonged exposure to excessive noise. This list of sound levels is included for your protection.

Some common decibel ranges:

Level	Example
30	Quiet library, Soft whispers
40	Living room, Refrigerator, Bedroom away from traffic
50	Light traffic, Normal Conversation
60	Air Conditioner at 20 ft., Sewing machine
70	Vacuum cleaner, Hair dryer, Noisy Restaurant
80	Average city traffic, Garbage disposals, Alarm clock at 2 ft.

The following noises can be dangerous under constant exposure:

Level	Example
90	Subway, Motorcycle, Truck traffic, Lawn Mower
100	Garbage truck, Chainsaw, Pneumatics drill
120	Rock band concert in front of speakers
140	Gunshot blast, Jet plane
180	Rocket launching pad

-Information courtesy of the Deafness Research Foundation



Welcome

And thank you for purchasing the **CHAMPION-RV** from VocoPro, your ultimate choice in Karaoke entertainment! With years of experience in the music entertainment business, VocoPro is a leading manufacturer of Karaoke equipment, and has been providing patrons of bars, churches, schools, clubs and individual consumers the opportunity to sound like a star with full-scale club models, in-home systems and mobile units. All our products offer solid performance and sound reliability, and to reinforce our commitment to customer satisfaction, we have customer service and technical support professionals ready to assist you with your needs. We have provided some contact information for you below.

VocoPro

1728 Curtiss Court
La Verne, CA 91750
Toll Free: 800-678-5348
TEL: 909-593-8893
FAX: 909-593-8890

VocoPro Company Email Directory

Customer Service & General Information

info@vocopro.com

Tech Support

techsupport@vocopro.com

Remember Our Website

Be sure to visit the VocoPro website **www.vocopro.com** for the latest information on new products, packages and promos. And while you're there don't forget to check out our Club VocoPro for Karaoke news and events, chat rooms, club directories and even a KJ Service directory!

We look forward to hearing you sound like a PRO, with VocoPro, the singer's ultimate choice.

FOR YOUR RECORDS

Please record the model number and serial number below, for easy reference, in case of loss or theft. These numbers are located on the rear panel of the unit. Space is also provided for other relevant information

Model Number

Serial Number

Date of Purchase

Place of Purchase

Features and Specifications

A Portable Mini-Concert System for the Road.

Whether you are a traveling musician on the road, a vocalist that needs to do a gig, or an aspiring singer who wants to practice at home, VocoPro has the perfect audio solution for you, the CHAMPION-RV mini-concert system.

It's a compact two-piece system with a powerful 200W 6-speaker stereo system that sets up in seconds. Hosting pro-level features such as a 4 channel mic/line mixer with DSP Reverb, and Hiss Filtering, you can count on your sound being top-notch. The included dual channel VHF wireless microphone module frees you from the hassle of cables. It's also a perfect tool for singers and musicians who want to perform or practice with band members, or play along with the music from the built-in player and media ports.

Use this as the main stage system in a coffee shop, or connect to a house system for an outdoor concert. Either way, you will have the built-in effects and monitor controls at your fingertips.

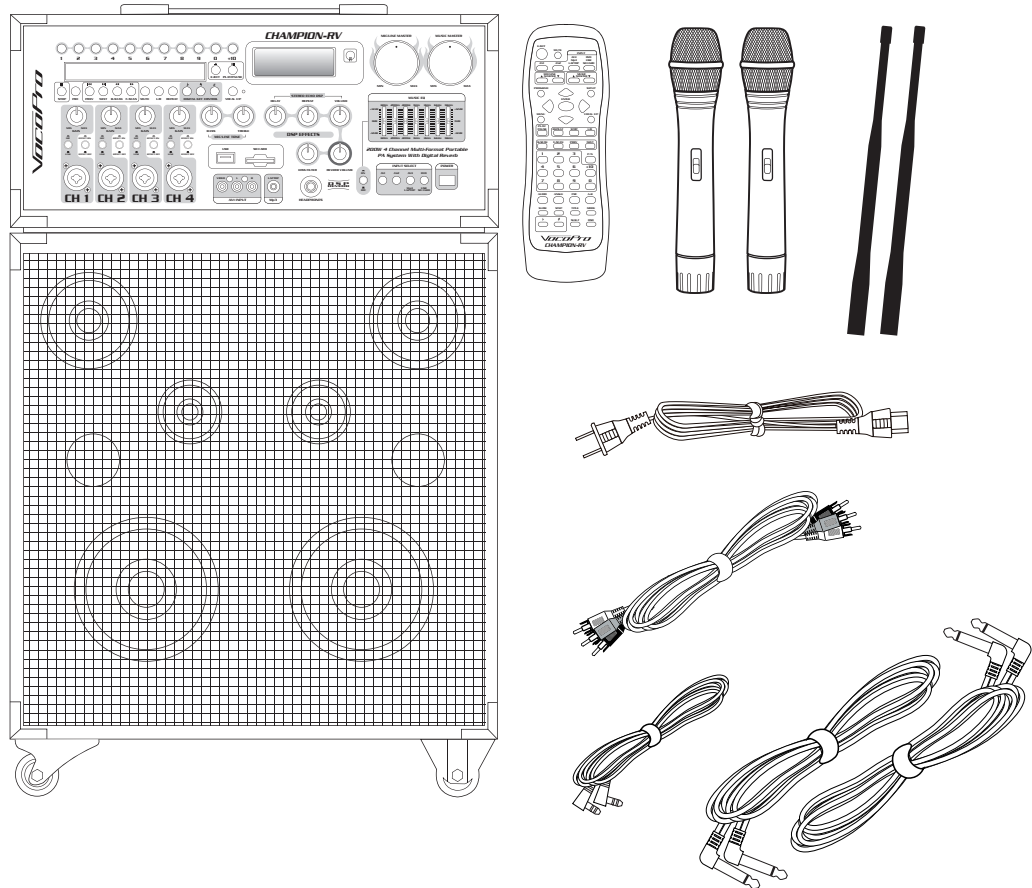
So, if you are looking for a handy, portable mini-concert system that you can easily take on the go, try the CHAMPION-RV and experience the sound quality and convenience of an awesome all-in-one sound system.

- Two-Piece Design Pumps a Powerful 200W Through a 6-Speaker Cabinet
 - Dual Channel VHF Wireless Microphone Module and Two Wireless Mics Included
 - Remove Head for Easy Transport and Integration with House Systems
 - Speaker Cabinet Can Be Rotated to Face the Audience for Performances
 - Multi-Format Player Supports Standard CD, CD+G, DVD, VCD, Mp3, AVI, Photo-CD, and Most CD-R/CD-RW Formats
 - Four Professional 1/4"/XLR Mic/Line Inputs with DSP Reverb & Effect On/Off Switches
 - USB Port and SD Card Slot for Accessing Your Favorite Tracks on USB jumpdrives and SD Cards
 - 7-Band Equalizer for Customizing the Sound of Your Music
 - Handy Front Panel A/V & 1/8" Laptop/Mp3 Input for the Ultimate Entertainment Experience
 - 13-Step Digital Key Control to Adjust the Key of Your Disc Audio
 - Two Wireless Receiver Slots on Rear Panel Support up to 2 Wireless Modules for a Total of 4 Wireless Microphones*
- *Additional wireless microphone module and wireless microphones sold separately.
- Full-Function Remote Control
 - 120V/240V and NTSC/PAL Compatible for Worldwide Use

Getting Started

Thank you for purchasing the CHAMPION-RV. Take a few moments to look through this manual. Before setting up, please make sure the following items are included.

- CHAMPION-RV
- Remote Control
- 2 Wireless Microphones
- 2 Antennas
- 2 Speaker Cables
- RCA Cable
- 1/8" Stereo Audio Cable
- Power Cable

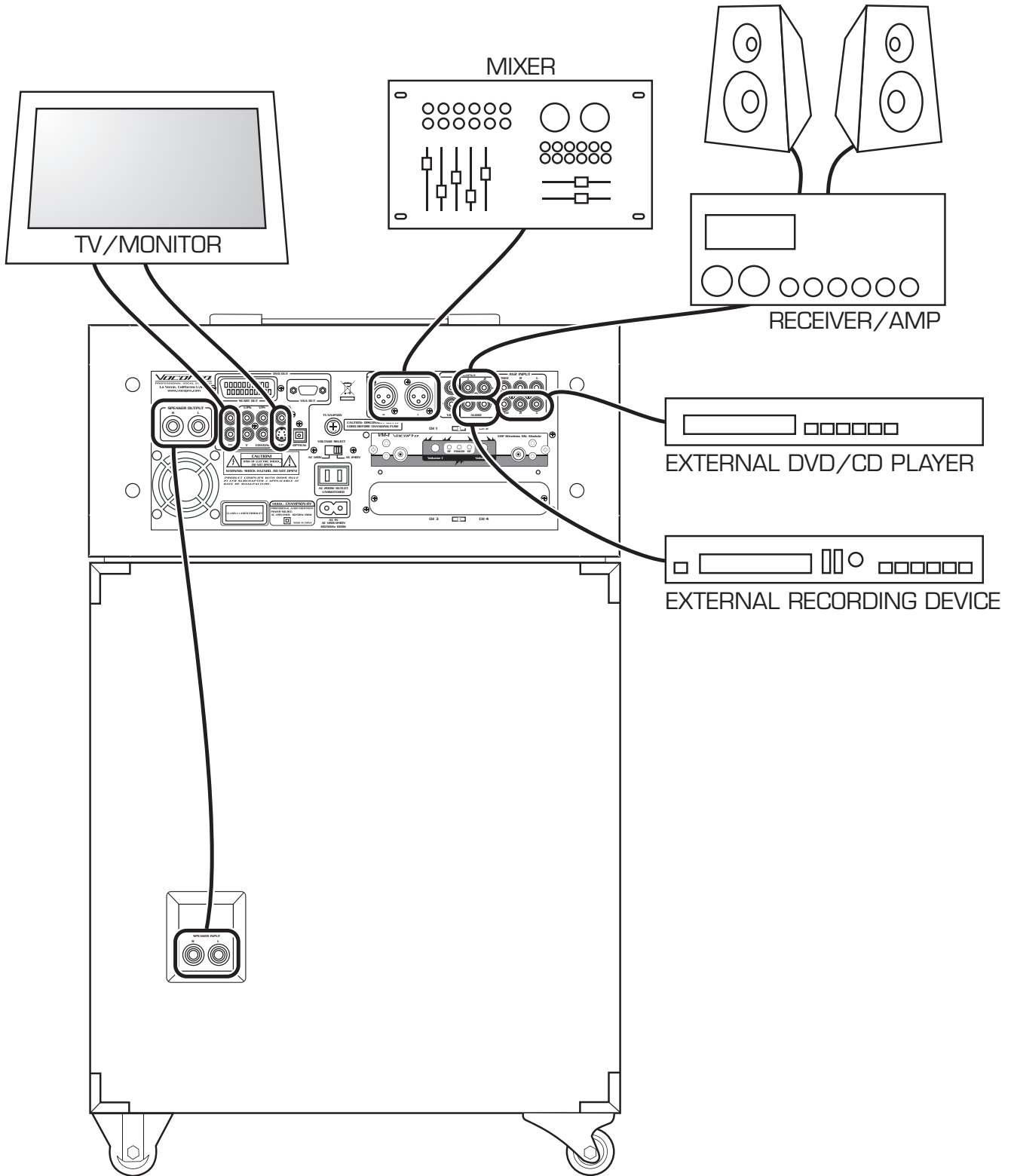


Returns and Warranty

In the unlikely event that the CHAMPION-RV would need to be shipped for repair, it is recommended that you keep all the product packaging and receipt. For detailed warranty information, please visit www.vocopro.com/warranty_extended.html. To find a VocoPro Authorized Service Center near you, please visit www.vocopro.com/servicecenter.html

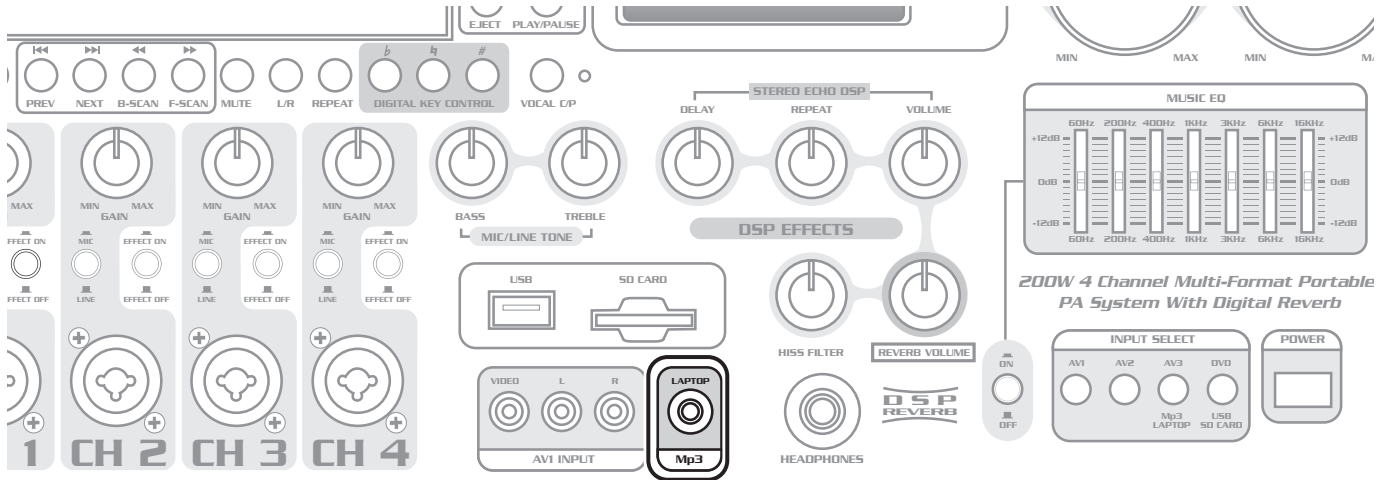
Getting Connected

The CHAMPION-RV is an all-in-one unit, but has plenty of connections to incorporate it into any setup. The diagram below shows some connection options.

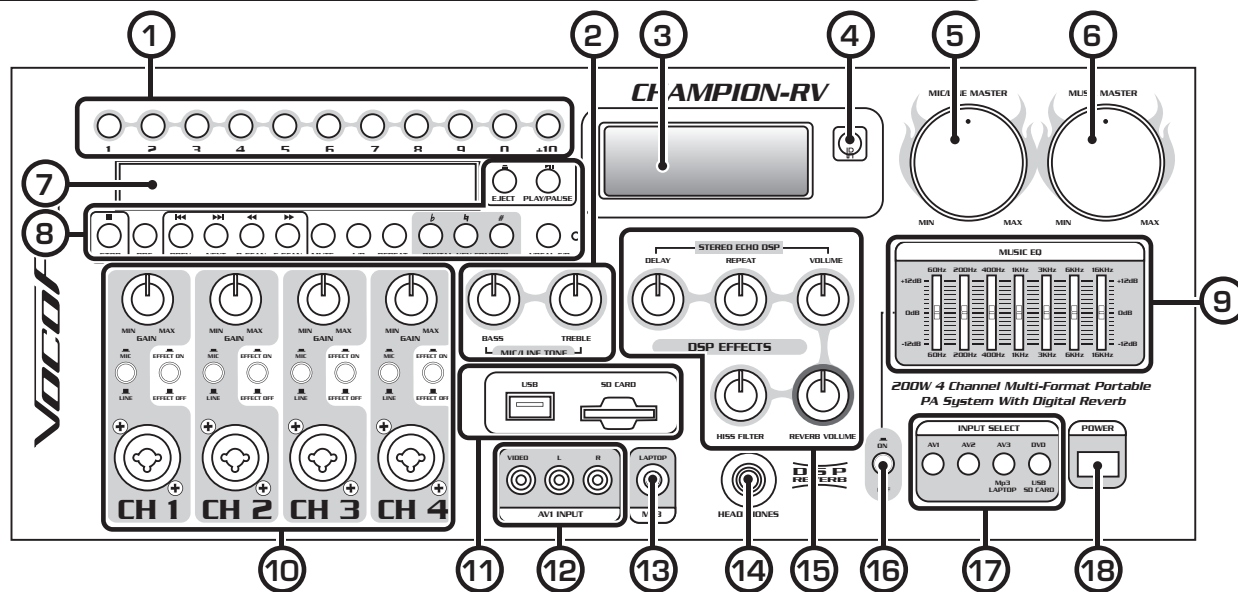


Getting Connected

The CHAMPION-RV can be connected to an Mp3 player or computer using the 1/8" input on the front panel. To connect an Mp3 player, see your Mp3 player instructions on connecting to a 1/8" input. To connect a computer, use a 1/8" to 1/8" inch cable to connect the computer line out to the CHAMPION-RV 1/8" input.



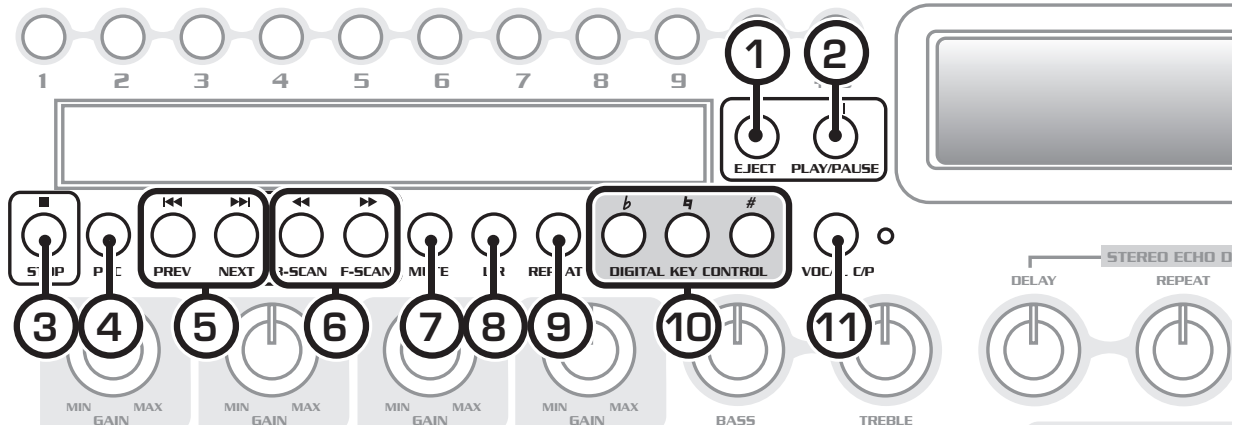
Descriptions and Functions



Front Panel

1. **Direct Track Access Buttons** - Use these buttons to jump directly to a track for playback.
2. **Mic/Line Tone, Bass/Treble Controls** - Use these controls to boost or reduce the amount of bass and treble in the Microphone/Line audio. These effects can be switched on and off each input individually using the EFFECT ON/OFF buttons on the Mic/Line channels.
3. **Display** - This screen displays information about the track time, current input, etc.
4. **Remote Control Infrared Receiver** - This lens receives signals from the remote control.
5. **Mic/Line Master Level Control** - Use this knob to increase or decrease the volume of the Mic/Line channels.
6. **Music Master Level Control** - Use this knob to increase or decrease the volume of the music.
7. **Disc Tray** - Insert discs here for playback.
8. **Disc Control Buttons** - See page 13 for more details.
9. **Graphic Equalizer** - This GRAPHIC EQ is used to BOOST and/or CUT particular frequencies. Each slide fader processes a particular frequency range indicated by the number below it. Frequencies from 60Hz - 250Hz constitute the very low to low range. Frequencies from 250Hz to 1kHz are the mid-range and frequencies from 1kHz to 16kHz make up the high to very high range. To adjust, slide the fader up to boost the frequency presence and down to cut the frequency presence.
10. **Mic/Line Inputs and Controls** - See page 14 for more details.
11. **USB and SD CARD ports** - Plug a USB jumpdrive or SD card in these ports for playback.
12. **Front Panel AV Input** - Use this input to attach an external player to the CHAMPION-RV.
13. **1/8" Mp3 Player/Laptop Input** - Use this jack to attach a Mp3 player, laptop or other media device with a 1/8" connector.
14. **1/4" Headphone Jack** - Use this jack to attach headphones to the CHAMPION-RV. Note: Plugging in headphones will switch off the on-board speakers.
15. **DSP Effects** - See page 15 for more details.
16. **Graphic EQ ON/OFF Switch** - Use the switch to enable/disable the Graphic EQ.
17. **Input Selector Buttons** - Use these buttons to select the music input/source. Press AV1 to select the RCA input on the front panel, and AV2 to select the first RCA input on the back panel. Press AV3 to toggle between the second RCA input on the rear panel and the 1/8" input on the front panel. Press DVD to toggle between the disc player, USB jumpdrive reader and SD card reader.
18. **Power Switch** - Use this button to power the CHAMPION-RV on and off.

Descriptions and Functions cont.



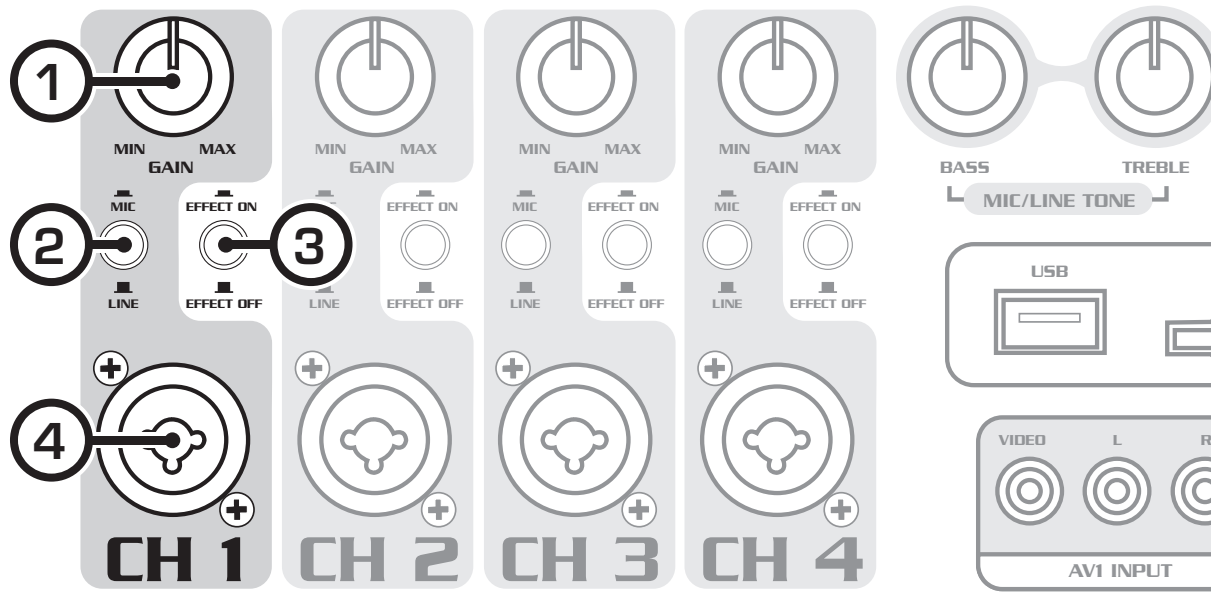
Disc Player Control Buttons

- 1. Eject Button** - Use this button to open and close the disc tray.
- 2. Play/Pause Button** - Press this button to play a track that is stopped or paused, and pause a track that is playing.
- 3. Stop Button** - This button will stop a track that is playing.
- 4. PBC Button** - This button activates menu navigation on VCD Discs.
- 5. Prev/Next** - Press Prev to jump to the previous track, and Next to jump to the next track.
- 6. B-Scan/F-Scan** - Press B-scan to scan backwards through the current track, and F-scan to scan forward through the current track.
- 7. Mute Button** - This button will silence the audio from the playback source, but not the microphone audio.
- 8. L/R Button** - This button toggles between left channel, right channel and stereo outputs. Selecting L will place the left channel on the left and right channel outputs, and selecting R will place the right channel on the left and right channel outputs.
- 9. Repeat** - This button will cycle through the available repeat options for the current audio media.
- 10. Digital Key Control** - These buttons adjust the key of the disc audio.
 - b** (flat): will lower the key of the music.
 - n** (natural): will return the key to normal.
 - #** (sharp): will raise the key of the music.
- 11. Vocal Cancel/Partner** - This button will remove the vocal track from multiplexed discs.

The Vocal Cancel Feature removes vocals from multiplex formatted discs. Press the button one time to enable this function. When Vocal Cancel is enabled, the LED will be lit.

The Vocal Partner Feature temporarily removes vocals from multiplex formatted discs only when singing into a connected microphone. When the singing stops, the vocal track is automatically resumed. Press the button two times to enable this function. When Vocal Partner is enabled, the LED will be blinking.

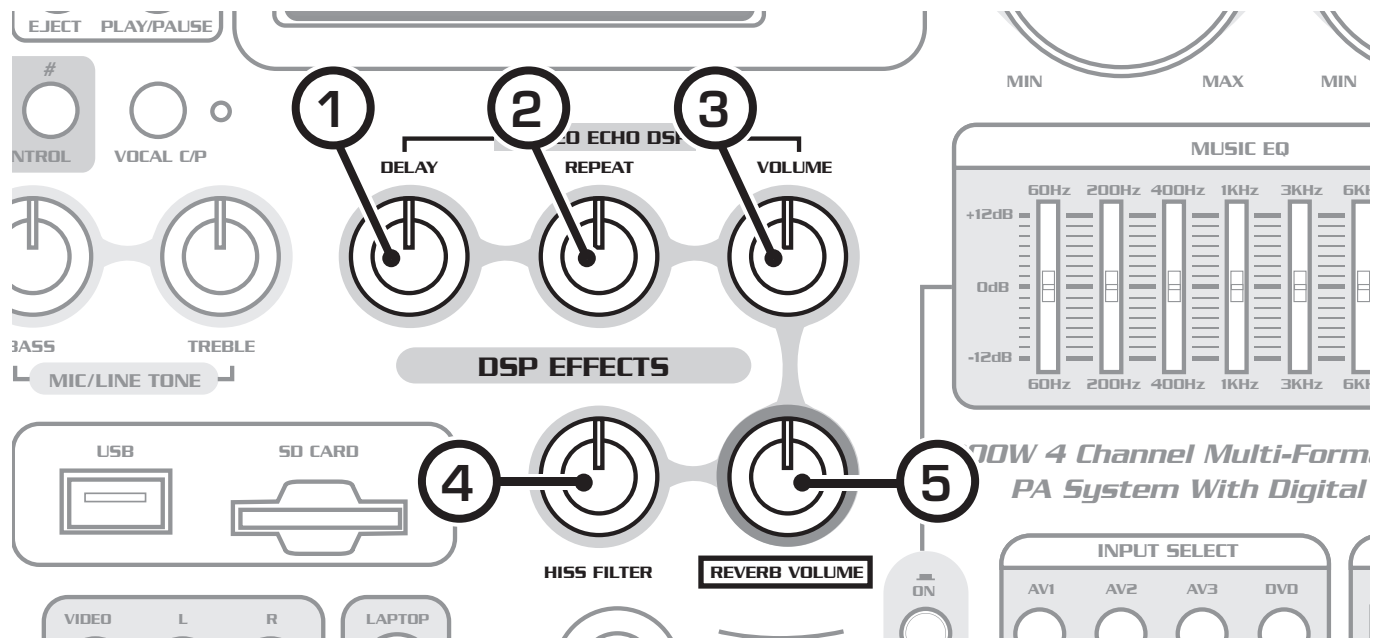
Descriptions and Functions cont.



Channel Controls

1. **Gain Control** - This dial controls the volume on this mic/line channel. Turn the dial clockwise to increase the volume, and counter-clockwise to decrease.
2. **Mic/Line Button** - Use this button to switch between high and low level devices. When using a microphone, guitar or keyboard use the MIC setting to boost the signal. When attaching a self amplifying device like an amplifying mixer or player, set the button to LINE.
3. **Effect On/Effect Off Button** - Press this button in to apply the DSP effects to this channel. Press the button again to turn off the effects on this channel. The effects that are applied to these channels are controlled using the DSP EFFECT controls, and MIC/LINE TONE controls.
4. **XLR/1/4" Combo Jack** - Use this combination jack to plug in a microphone or instrument using a 1/4" jack or an XLR jack.
 NOTE: Plugging a cable into a channel that is being used by a wireless mic will switch off that wireless mic. If you want to use the wireless mics and wired mics or instruments, make sure you plug the cables into unused channels. The wireless mic module in the top expansion slot uses channel 1 and 2. The bottom expansion slot uses channel 3 and 4.

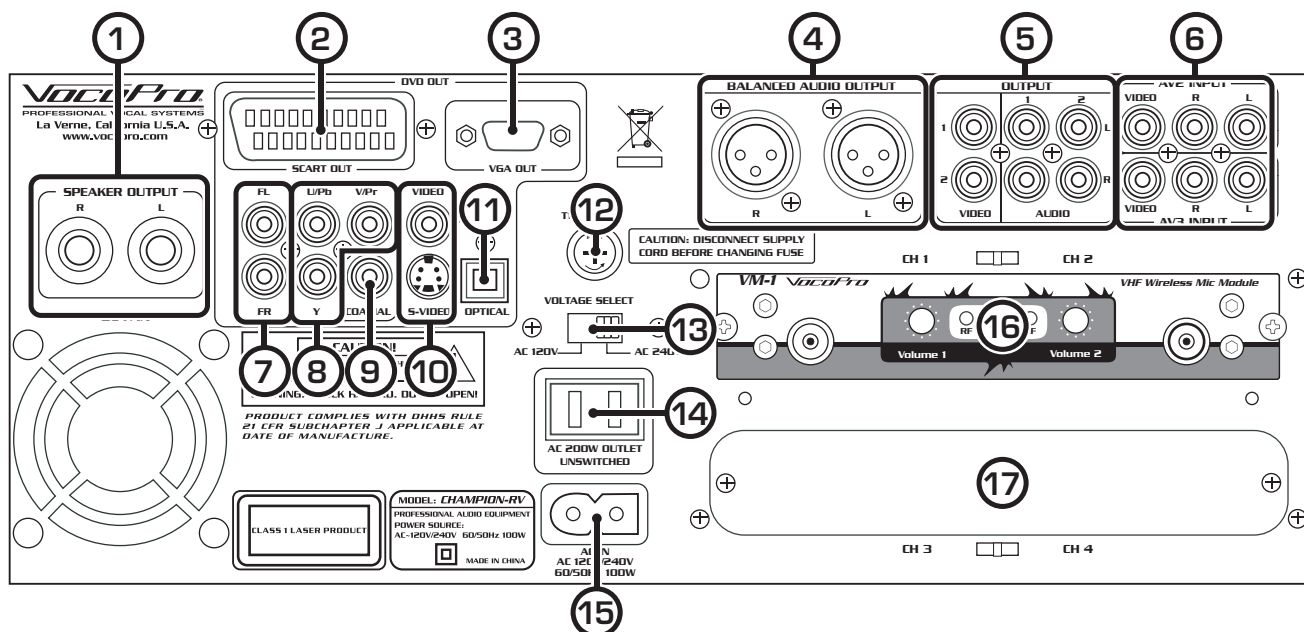
Descriptions and Functions cont.



DSP Effects

- 1. Echo Delay Control** - This dial controls the amount of time between the echo repetitions. Turn this dial clockwise to increase the delay, and counter-clockwise to decrease.
- 2. Echo Repeat Control** - This dial controls the amount of repetitions in the echo. Turn this dial clockwise to increase the amount of echos, and counter-clockwise to decrease.
- 3. Echo Volume Control** - This dial controls the volume of the echo effect. Turn this dial clockwise to increase the volume of the echos, and counter-clockwise to decrease.
- 4. Hiss Filter** - This dial controls the amount of hiss filter that is applied to the mic/line channels.
- 5. Reverb Volume Control** - This dial controls the volume of the reverb effect. Turn this dial clockwise to increase the volume of the reverb effect, and counter-clockwise to decrease.

Descriptions and Functions cont.



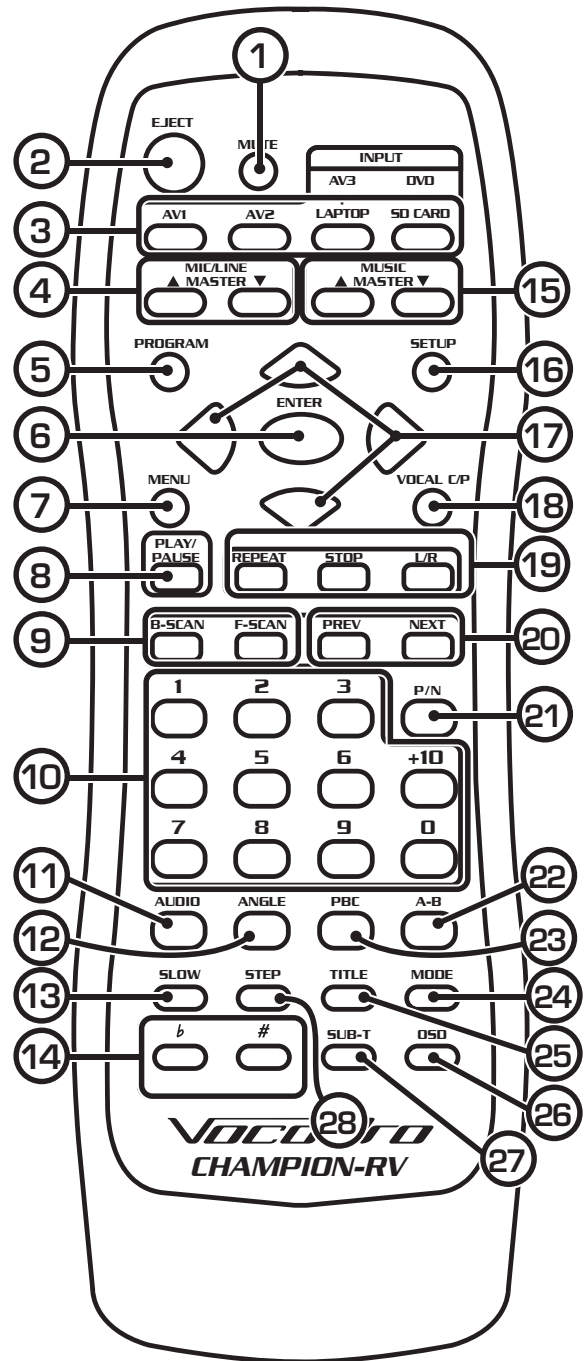
Rear Panel

1. **¼" L/R Speaker Outputs** - Attach the CHAMPION-RV speakers here using the included ¼" to ¼" cables.
2. **SCART Output** - Use this output to connect to European TV systems that utilize SCART inputs.
3. **VGA Output** - Use this output to connect to TVs or monitors that utilize VGA inputs.
4. **L/R XLR Balanced Audio Output** - Use these outputs to connect the CHAMPION-RV to an external system, such as an in-house system at a club.
5. **RCA A/V Outputs** - Use this output to connect to additional TVs, monitors, recorders, or other devices.
6. **RCA A/V Inputs** - Use this input to connect an external player.
7. **FL/FR Audio Output** - Left and Right stereo audio output. Note that microphone audio will not be present on this output. The graphic EQ does not adjust this output.
8. **Component (Y/Pb/Pr) Video Output** - Use this output to connect to a TV or monitor with Component (Y/Pb/Pr) inputs.
9. **Coaxial Digital Audio Output** - Use this audio output to connect to a digital receiver. Note that microphone audio will not be present on this output. The graphic EQ does not adjust this output.
10. **RCA and S-Video Video Outputs** - Use these video outputs to connect to a TV or monitor that has RCA inputs or S-Video inputs.
11. **Optical Digital Audio Output** - Use this audio output to connect to a digital receiver. Note that microphone audio will not be present on this output. The graphic EQ does not adjust this output.
12. **Fuse Cover** - Remove to access the fuse. Note: Replace only with type listed on back panel.
13. **Volatage Selector Switch** - Use this to select the voltage. 120V for United States, 240V for Europe.
14. **Power Output** - Use this output to power another device up to 200W.
15. **AC Power Input** - Connect the power cable here.
16. **CH1/2 Wireless Microphone Module** - Receives signal from wireless microphones. Use the dials to adjust the volume of the wireless microphone audio.
17. **CH3/4 Optional Wireless Microphone Module Port** - Use this port to install the channel 3-4 optional wireless microphone module (sold separately).

Descriptions and Functions cont.

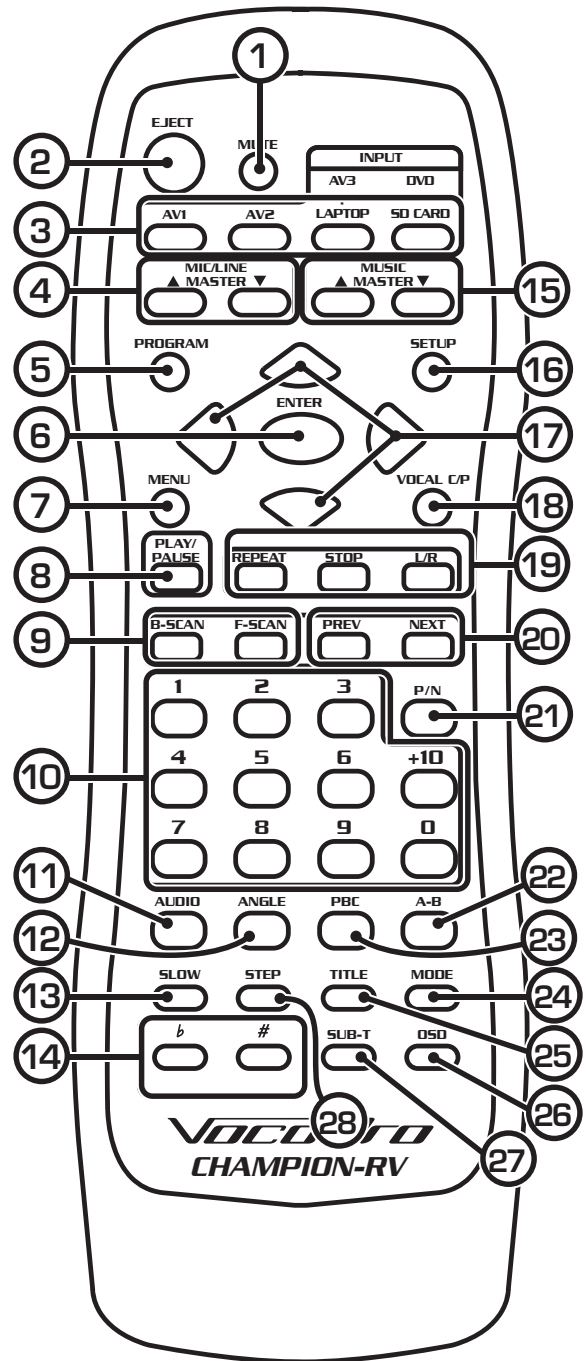
Remote Control

1. **Mute Button** - This button will silence the audio from the playback source, but not the microphone audio.
2. **Eject Button** - Use this button to open/close the disc tray.
3. **Input Select Buttons** - Use these buttons to select the music input/source. Press AV1 to select the RCA input on the front panel, and AV2 to select the first RCA input on the back panel. Press AV3 to toggle between the second RCA input on the back panel and the 1/8" input on the front panel. Press DVD to toggle between the disc player, USB jumpdrive reader and SD card reader.
4. **Mic/Line Master Volume Buttons** - Use this button to adjust the master volume of the mic/line inputs.
5. **Program Button** - Use this button to enter program mode.
6. **Enter Button** - Use this button to activate a selected menu item in an on-screen menu.
7. **Menu Button** - Use this button to access a disc menu.
8. **Play/Pause Button** - Plays a paused or stopped track, and pauses a playing track.
9. **B-Scan/F-Scan Buttons** - Press B-scan to scan backwards through the current track, and F-scan to scan forward through the current track.
10. **Number Buttons** - Use these buttons to jump directly to a track for playback.
11. **Audio Button** - Will switch between alternate audio tracks on a DVD. Note: Not all DVDs have alternate audio tracks available.
12. **Angle Button** - Use this button to select viewing angles on a DVD. Note: Not all DVDs have alternate viewing angles available.
13. **Slow Button** - Use this button to view DVD video in slow motion.
14. **Digital Key Control Button** - These buttons adjust the key of the disc audio.
b (flat): will lower the key of the music.
(sharp): will raise the key of the music.
15. **Music Master Volume Buttons** - Use this button to increase/decrease the master volume.
16. **Setup Button** - Use this button to access the CHAMPION-RV setup menu.
17. **Arrow Buttons** - Use these buttons to navigate on-screen menus.



Descriptions and Functions cont.

- 18. **Vocal Cancel/Partner Button** - This button will remove the vocal track from multiplexed discs.
- 19. **Multi-Function Buttons:**
 - REPEAT** - This button will cycle through the available repeat options for the current audio media.
 - STOP** - This button will stop a track that is playing.
 - L/R** - This button toggles between left channel, right channel and stereo outputs. Selecting L will place the left channel on the left and right channel outputs, and selecting R will place the right channel on the left and right channel outputs.
- 20. **Prev/Next Buttons** - Press Prev to jump to the previous track, and Next to jump to the next track.
- 21. **P/N Button** - Use this button to switch between PAL and NTSC. Use NTSC for United States and PAL for Europe.
- 22. **A-B Button** - Use this button to loop a section of a track. Press once to set the start point, again to set the end point, the track will then loop. Press the button again to exit the loop.
- 23. **PBC Button** - This button activates menu navigation on VCD Discs.
- 24. **Mode Button** - Use this button to change the picture mode.
- 25. **Title Button** - Use this button to go to the title screen of a DVD disc.
- 26. **OSD Button** - Use this button to show/hide the on-screen display, and cycle through the time display modes.
- 27. **Subtitle Button** - Use this button to switch between available subtitles on a DVD. Note: Not all DVDs have subtitles available.
- 28. **Step Button** - Use this button to advance forward one frame at a time on a DVD.



Basic Operations

Using the Disc Player

To play a disc:

1. Use the Input select buttons to select the DVD player.
2. Press eject to open the disc tray.
3. Place one disc in the tray, label side up.
4. Press eject again to close the tray. Do not try to manually force the tray closed.
5. The disc will automatically begin to play. (Disc will not automatically begin to play if autoplay is turned off. See the setup menu section for more details.)

Selecting the Input Source

To select the input source, use the input select buttons on the front panel or remote control.

- AV1: The RCA input on the front panel.
- AV2: The first RCA input on the rear panel.
- AV3 - Mp3/LAPTOP: Switches between the 1/8" jack on the front panel and the second RCA input of the rear panel.
- DVD - USB - SD CARD: Switches between the internal disc player, USB and SD card reader.

Playing from USB Jumpdrive or SD Card

To play songs, videos and other files from a USB jumpdrive or SD card:

1. Plug a USB jumpdrive or SD card into the reader slots on the front panel of the CHAMPION-RV.
2. Use the input select buttons to switch to either the USB or SD port.
3. The first readable file on the card or drive will begin to play automatically. (File will not automatically begin to play if autoplay is turned off. See the setup menu section for more details.)

Using DSP Effects

The DSP effects can add a stylized feel to vocals and instruments. The DSP Effects include: Delay, Repeat, Hiss Filter and Reverb. To use DSP effects:

1. Connect a microphone or instrument to one of the input channels on the front panel.
2. Press in the effects button on that channel to enable effects for that channel.
3. Adjust the DSP effects dials while speaking into the microphone until you are satisfied with the sound.

Note: Although MIC/LINE TONE treble and bass are not DSP Effects, they will be enabled/disabled by the EFFECT ON/OFF buttons.

Using Digital Key Control

If a song's natural musical key is either too high, or too low to be sung comfortably, use the DIGITAL KEY CONTROL feature to bring the musical key into range.

- Press the **#** (sharp) button to raise the key
- Press the **b** (flat) button to lower the key
- Press the **4** (natural) button to return the key to its natural position

There is a maximum of 6 steps in either direction (UP/DOWN.) The current setting is displayed in the on-screen display when the key is changed.

Programming a Custom track order

A custom track order can contain up to 16 tracks. To program a custom track order:

1. Insert a disc in the disc player.
2. Press the program button on the remote control to enter the program menu.
3. Use the arrow keys to highlight the first open track slot.
4. Use the number keys to enter the number of the track.
5. Repeat steps 3 and 4 until the desired track order is complete.
6. Use the arrow buttons to highlight "PLAY" in the menu, and press enter to begin playback, or press play on the remote control.

To exit the programmed track order playback, press stop on the remote control or front panel.

Using the File Navigation Menu

The file navigation menu will be displayed when a USB drive, SD card, or disc containing files is selected for playback. Use the arrow keys to navigate the menu. To play a track or file, highlight the track or file, then press enter on the remote control.

Basic Operations

Using the Wireless Microphones

To use the wireless mics:

1. Attach the included antennas to the wireless mic module.
2. Insert a battery into the mic.
3. Switch the mic ON.
4. When the mic is ON, the RF light on the rear panel will turn on.
5. Use the volume control on the rear panel module, the channel volume control, and the master mic volume control to adjust the volume the desired level.
6. Repeat these steps for additional mics.

Removing a Wireless Module

The Wireless modules are designed to be easily removed and installed in case it requires service.

To remove a wireless module:

1. **Turn the CHAMPION-RV OFF, and unplug the power cable.**
2. Remove the two screws that hold the module in place.
3. Carefully slide the module out.
4. Carefully detach the connector cable.
NOTE: Make sure the cable does not fall back into the unit. It may be necessary to temporarily secure the cable to the unit with tape while there is no module in the slot.

Installing a Wireless Module

The Wireless modules are designed to be easily removed and installed in case it requires service.

To install a wireless module:

1. **Turn the CHAMPION-RV OFF, and unplug the power cable.**
2. (If the slot cover is already removed, skip to step 4)
Remove the two screws that hold the slot cover in place.
3. Carefully detach the connector cable from the slot cover.
NOTE: Make sure the cable does not fall back into the unit. It may be necessary to temporarily secure the cable to the unit with tape while there is no module in the slot.
4. Carefully connect the connector cable to the module. The cable plug is designed to fit only one way, if it does not fit correctly, flip the plug over and try again.
5. Carefully slide the module into the slot.
6. Secure the module with the two screws.

Setup Menu

Setup Menu

Press the setup button on the remote control to enter the setup menu. Press the setup button on the remote control while in the setup menu to exit.

System Setup

TV System: NTSC, PAL60, PAL, AUTO

NTSC: Use this setting for North America.

PAL60: Use this setting for regions that use PAL at 60Hz.

PAL: Use this setting for Europe.

AUTO: The unit will attempt to auto detect the video system.

Auto Play: ON, OFF

On: Will play a disc as soon as it is put in.

Off: Will wait for the play button to be pushed before playing a disc.

Video: INTERLACE-YUV, TV-RGB, P-SCAN YPBPR, PC-VGA, S-VIDEO

Use these settings to change the video output of the Component (Y/Pb/Pr) outputs.

TV Type: 4:3PS, 4:3LB, 16:9

4:3PS: Use this setting for viewing a standard movie on a standard TV.

4:3LB: Use this setting for viewing a widescreen movie on a standard TV.

16:9: Use this setting for a widescreen TV.

Password: - - - -

Use this setting to lock/unlock the ratings. The default password is 0000. To set the password, first unlock the password, then enter a new password and press enter.

Rating: G, PG, PG13, R, NC-17

This setting controls what rating of DVD movie can be watched on the CHAMPION-RV. To change this setting, the password must be set to unlocked.

Default: RESTORE

Restore: Will return all settings to factory default.

Resume: ON, OFF

On: Will continue playback from the last point when the unit was turned off.

Off: Will playback from the beginning of the disc when the unit is turned back on.

Language Setup

OSD Language: English, Chinese, German, Spanish, French, Portuguese

Select what language will appear on the on-screen display.

Audio Language: Chinese, English, Japanese, French, Spanish, Portuguese, Latin, German

Select a preferred audio language for DVDs. Note that not all DVDs have every language available.

Subtitle Language: Chinese, English, Japanese, French, Spanish, Portuguese, German, Off

Select a language for the DVD subtitles. Note that not all DVDs have multiple languages available.

Menu Language: Chinese, English, Japanese, French, Spanish, Portuguese, German, Latin

Select a language for the DVD menu. Note that not all DVDs have multiple languages available.

Setup Menu

Audio Setup

Audio Out: SPDIF/OFF, SPDIF/RAW, SPDIF/PCM

SPDIF/OFF: Select to disable SPDIF output.

SPDIF/RAW: Select when connecting to a 5.1 channel digital amplifier (DTS/Dolby Movie.).

SPDIF/PCM: Select when connecting to a 2-channel digital amplifier (Audio CD.).

Key: -6 to +6

This menu item functions the same as the Digital Key Control buttons on the front panel and remote control.

Video Setup

Brightness:

Set the brightness of the image with this setting. A lower value will make the image darker.

Contrast:

Set the contrast of the image with this setting. A higher value will make the light colors lighter and the dark colors darker. A lower value will make the light and dark colors less vibrant.

Hue:

Set the hue or color of the image with this setting.

Saturation:

Set the Saturation of the image with this setting. Saturation makes the colors in an image more intense.

Sharpness:

Set the sharpness of the image with this setting.

Speaker Setup

Downmix: LT/RT, STEREO, VSS

LT/RT: Select when connecting to a Dolby Digital amplifier.

STEREO: Select when connecting to a 2-channel stereo amplifier/mixer .

VSS: Virtual surround sound. Select when using the 5.1 channel outputs on the rear panel.

Digital Setup

OP MODE: LINE OUT, RF REMOD

LINE OUT: This sets the output level to normal.

RF REMOD: This will slightly increase the output level.

Dynamic Range: FULL, 6/8, 4/8, 2/8, OFF

Use this control to adjust the dynamic range.

Dual Mono: STEREO, MONO L, MONO R, MIX MONO

Stereo: Select for standard L/R audio output.

Mono L: Select for mono audio output with the left channel on both sides.

Mono R: Select for mono audio output with the right channel on both sides.

Mix mono: Select for mono audio output to both sides.

Troubleshooting

The disc tray will not open.

Make sure the CHAMPION-RV is powered on.
Make sure the input select is set to DVD.

A disc is playing, but no sound is coming from the speakers.

Make sure the music master volume is turned up.
Make sure the speaker cables are connected firmly.
If you are playing a VOB file from an SD card or jumpdrive, it may not function as VOB file playback is not supported.

The disc player will not play a particular disc.

Make sure the input select is set to DVD.
Make sure the disc is not scratched or dirty.
Some types of recorded discs may not be compatible with the CHAMPION-RV.

The Graphic EQ has no effect on the music.

Make sure the EQ ON/OFF button is set to ON.

Microphone audio is not present in the speakers.

Make sure the mic is switched on.
Make sure the MIC/LINE button on the mic channel is set to MIC.
Make sure the mic channel and master mic volume are turned up.

An instrument such as a guitar or keyboard that is plugged into the MIC/LINE channels cannot be heard via speakers.

Make sure the MIC/LINE button on the input channel is set to MIC.
Make sure the channel and master mic volume are turned up.

No microphone audio is present in the FR/FL, or digital audio outputs.

This is not a malfunction. Microphone audio is not output through these channels.

No Wireless microphone audio is present.

Make sure the wireless mics are switched on.
Make sure the volume is turned up on the wireless mic module.
Make sure the mic channel and mic master volume are turned up.
Make sure the microphone battery is charged and installed correctly.
If there is a wired mic or instrument plugged into the same channel as the wireless mic, it will switch off the wireless mic, make sure that cables are only plugged into unused channels.

A USB Jumpdrive or SD card is not playing.

Make sure the input selector is set to USB or SD.
Make sure the card or drive is formatted with FAT or FAT32. NTFS format cannot be read by the CHAMPION-RV.
If you are playing a VOB file from an SD card or jumpdrive, it may not function as VOB file playback is not supported.

The remote control is not working.

Make sure the CHAMPION-RV is powered on.
Make sure you are within 23 feet of the CHAMPION-RV.
Make sure the remote control batteries are not dead.

VocoPro[®]

PROFESSIONAL VOCAL SYSTEMS[™]



CHAMPION-RV Owner's Manual
© VocoPro 2009
v1.1021
www.vocopro.com