



# Owner's Manual

COMPACT  
FLUORESCENT  
LUNAR AQUALIGHT

AQUARIUM  
LIGHT FIXTURE



FEATURING: DIRECTIONAL  
LUNAR BLUE LEDs

# IMPORTANT SAFETY INSTRUCTIONS

**WARNING:** To guard against injury, basic safety precautions should be observed, including the following:

a. **READ AND FOLLOW ALL SAFETY INSTRUCTIONS.**

b. **DANGER:** To avoid possible electric shock, special care should be taken since water is employed in the use of aquarium equipment. For each of the following situations, do not attempt repairs by yourself; return the appliance to an authorized service facility for service or discard the appliance:

1. If the appliance falls into the water, DO NOT reach for it! First, unplug it and then retrieve it. If the electrical components of the appliance get wet, unplug the appliance immediately. (non-immersible equipment only)
2. If the appliance shows any signs of abnormal water leakage, immediately unplug it from the power source. (immersible equipment only)
3. Carefully examine the appliance after installation. It should not be plugged in if there is water on parts not intended to be wet.
4. Do not operate any appliance if it has a damaged cord or plug, or if it is malfunctioning or if it has been dropped or damaged in any manner.
5. To avoid the possibility of the appliance plug or receptacle getting wet, position aquarium stand and tank to one side of a wall-mounted receptacle to prevent water from dripping onto the receptacle or plug. A "drip loop" (fig. A1) should be arranged by the user for each cord connecting an aquarium appliance to a receptacle. The "drip loop" is that part of the cord below the level of the receptacle, or the connector if an extension cord is to be used, to prevent water from traveling along the cord and coming in contact with the receptacle.

If the plug or receptacle does get wet, DO NOT unplug the cord. Disconnect the fuse or circuit breaker that supplies power to the appliance. Then, unplug and examine for presence of water in the receptacle.

- c. Close supervision is necessary when any appliance is used by or near children.
- d. To avoid injury, do not contact moving parts or hot parts such as heaters, reflectors, lamp bulbs and the like.

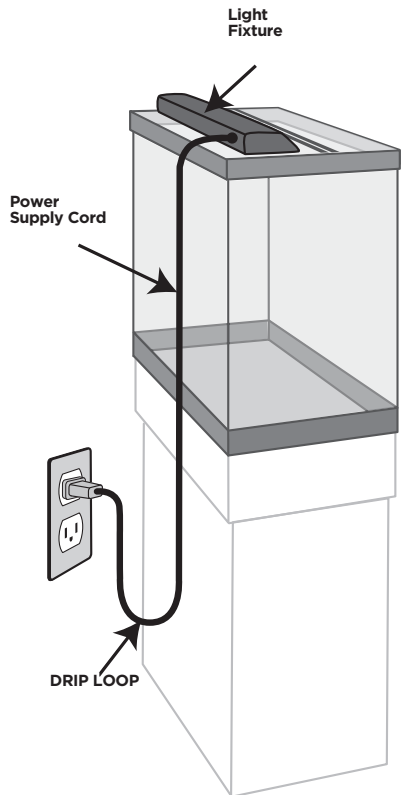
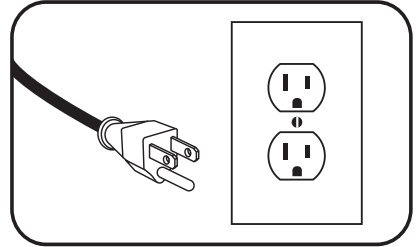


fig. A1 - Drip Loop

# IMPORTANT SAFETY INSTRUCTIONS

- e. Always unplug an appliance from an outlet when not in use, before putting on or taking off parts and before cleaning. Never yank cord to pull plug from outlet. Grasp the plug and pull to disconnect.
- f. Do not use an appliance for other than intended use. The use of attachments not recommended or sold by the appliance manufacturer may cause an unsafe condition.
- g. Do not install or store the appliance where it will be exposed to weather or to temperatures below freezing.
- h. Make sure an appliance mounted on an aquarium is securely installed before operating it.
- i. Read and observe all the important notices on the appliance.
- j. If an extension cord is necessary, a cord with a proper rating should be used. A cord rated for less amperes or watts than the appliance rating may overheat. Care should be taken to arrange the cord so that it will not be tripped over or pulled.
- k. To prevent corrosion or deterioration of materials that could lead to electric shock, do not allow contact with saltwater.
- l. **This fixture is for use over covered aquariums only.**
- m. DO NOT install this fixture inside a canopy or enclosure covering the unit.
- n. Use included mounting legs to place Aqualight fixture over a covered aquarium.
- o. For added safety, the fixture must be plugged into a receptacle controlled by a GFI (ground fault interrupter) circuit breaker. Device must be properly connected to a grounded three-prong receptacle. (fig. A2)



**fig. A2 - Three-Prong Receptacle**

## SAVE THESE INSTRUCTIONS



# TABLE OF CONTENTS

<b>Important Safety Instructions</b>	2-3
<b>Table of Contents</b>	4
<b>Fixture Setup and Installation</b>	5-6
<b>Grounding and Operation</b>	7
<b>Lamp Replacement</b>	8
<b>Ballast Replacement</b>	9
<b>Cooling Fan Replacement</b>	10
<b>Replacement Lamp Options</b>	11
<b>Warranty Information</b>	12

# FIXTURE SETUP and INSTALLATION

**IMPORTANT:** Make sure to read and follow instructions in their entirety before plugging the fixture into an outlet or power source.

**NOTE:** The fixture must be properly plugged into a grounded three-prong receptacle. If a grounded outlet is not available, provide grounding means.

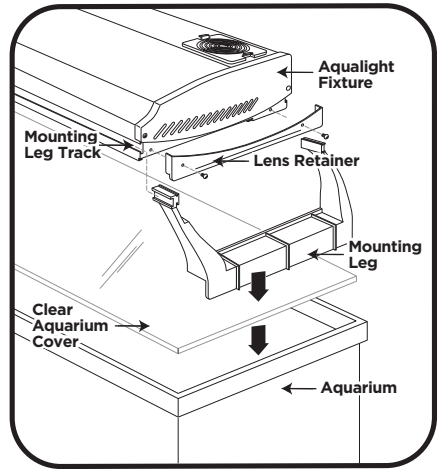
## FIXTURE SETUP

### Mounting Legs Installation (fig. B1)

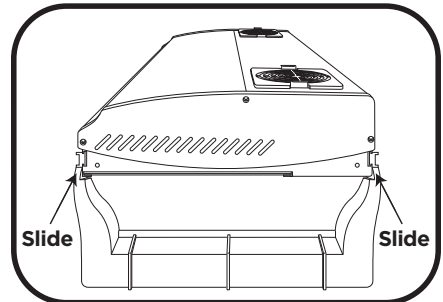
1. Place the fixture on a non-abrasive flat surface.
2. Remove the lens retainers on both ends of the fixture by removing the screws using a crosshead screwdriver.
3. Slide the mounting leg brackets into the mounting leg tracks on the front and back of the fixture. One mounting bracket should be inserted on each end of the Aqualight so that the vertical cornered end of the bracket faces the outside of the light fixture. (fig. B2)
4. Replace lens retainers on fixture and replace screws.
5. Slide mounting legs to each end of the fixture.

### Fixture Installation (fig. B2)

1. Place clear aquarium cover onto aquarium.
2. Lift and set the fixture on top of the covered aquarium. Position the mounting legs so that they lay flush against the side of the aquarium.

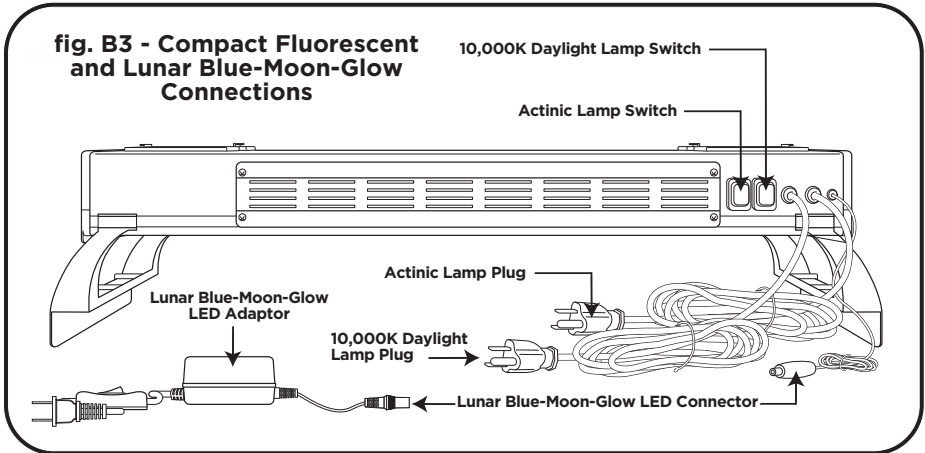


**fig. B1 - Mounting Legs and Fixture Installation**



**fig. B2 - Mounting Legs Installation Side View**

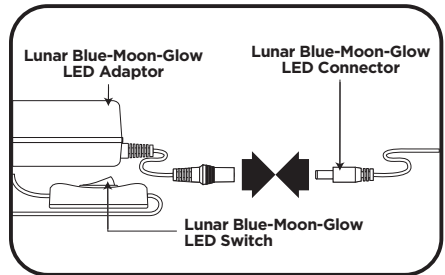
# FIXTURE SETUP and INSTALLATION



## Lunar Blue-Moon-Glow LED Connector

1. Locate Lunar Blue-Moon-Glow LED connector from fixture. (fig. B3)
2. Attach Lunar Blue-Moon-Glow LED connector to Lunar Blue-Moon-Glow LED adaptor. (fig. B4)

**IMPORTANT:** Make sure that the lamp connector is fully seated into the adaptor connector.



**fig. B4 - Lunar Blue-Moon-Glow Connection To Adaptor**

## COMPACT FLUORESCENT LUNAR AQUALIGHT MODELS

Compact Fluorescent Lunar Aqualight fixtures are available for marine, reef and freshwater aquariums and come in a variety of lengths and sizes. The fixture should span the full length of the aquarium with the mounting legs resting on each of the aquarium side end panels.

### Maximum Aquarium Dimensions For Use With Coralife Compact Fluorescent Lunar Aqualight Models:

SIZE	LUNAR AQUALIGHT FIXTURE DIMENSIONS	MAXIMUM AQUARIUM LENGTHS
24"	24"L x 7.5"W x 3"H	24.25" L
30"	30.25"L x 9.25"W x 3"H	31.25" L
36"	36"L x 7.5"W x 3"H	37.25" L
48"	48.25"L x 9.25"W x 3"H	49.25" L

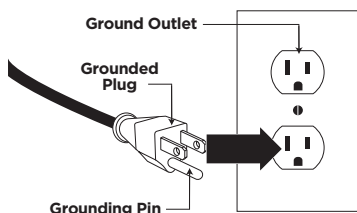
# GROUNDING and OPERATION

## GROUNDING

### Grounding Setup

This appliance should be grounded to minimize the possibility of electric shock. This appliance is equipped with an electric cord with an equipment grounding conductor and a grounding-type plug. The plug must be plugged into an appropriately grounded outlet.

This appliance is for use on a nominal 120-volt circuit and has a grounding plug that looks like the plug illustrated below.



A temporary adaptor may be used to connect this plug to a two-pole receptacle if a grounded outlet is not available (fig. C1)

The temporary adaptor should be used only until a grounded outlet can be installed by a qualified electrician.

### Grounding Installation

The green-colored rigid ear (screw and the like) extending from the adaptor must be fastened to a permanent ground, such as a ground outlet box. (fig. C2)

1. Plug temporary adaptor into two-pole outlet. (fig. C3)
2. Insert screw through rigid ear on temporary adaptor and into grounded outlet box.

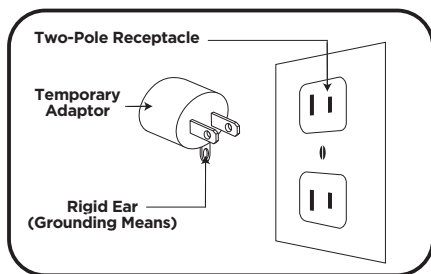


fig. C1 - Temporary Adaptor

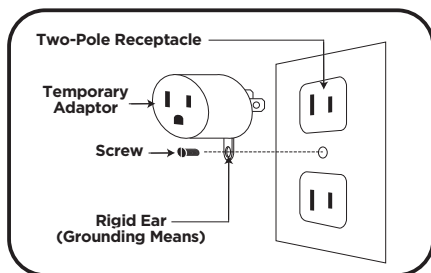


fig. C2 - Temporary Adaptor Installation

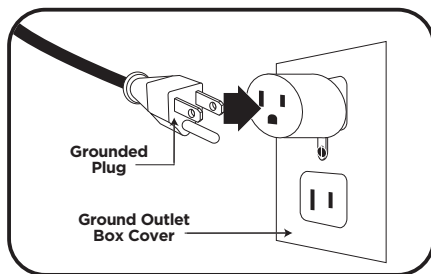


fig. C3 - Grounded Plug Connection

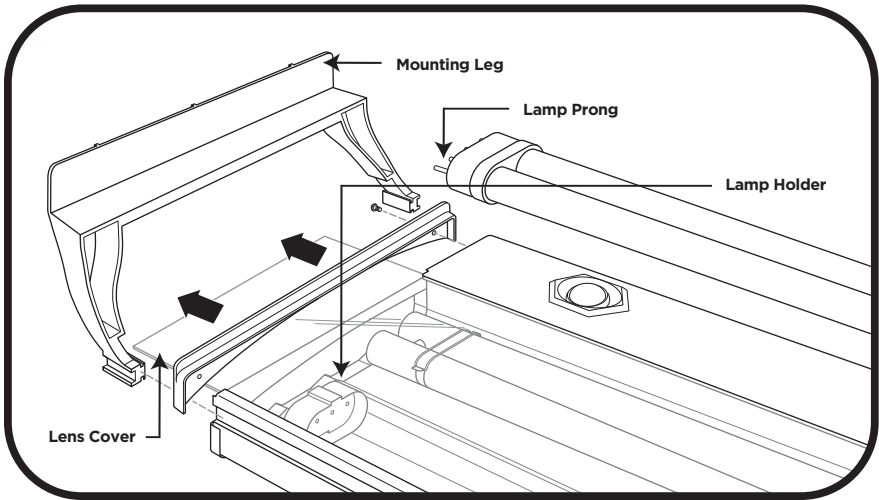
## START-UP OPERATION

**SAFETY:** Make sure fixture with mounting legs is securely positioned on the covered aquarium.

**NOTE:** Make sure that all switches are in the off position before plugging into a power source.

1. Plug into grounded outlet or power source and turn switches to the on position.
2. Verify that all lamps are lit and functioning properly.

# LAMP REPLACEMENT



**SAFETY:** Turn off all power switches and unplug light fixture from power supply.

**CAUTION:** Let the unit cool down completely before handling.

## Compact Fluorescent Lamp Replacement (fig. D1)

1. Once completely cool, lift fixture from aquarium and place on a non-abrasive, flat surface with the bottom facing up.
2. Remove one of the lens retainers from either end of the fixture by removing the screws using a crosshead screwdriver.
3. Slide the acrylic lens cover out of the fixture.
4. Remove all retaining bands from retaining clips. (fig. D2)
5. Remove the lamp by pulling outward from the lamp holder, then lift upward. (fig. D3)
6. Carefully install replacement lamp by inserting prongs into lamp holders.
7. Once prongs are completely recessed in lamp holders, push down to lock into retaining clips and replace retaining bands.
8. Replace acrylic lens cover and lens retainer.

fig. D1 - Lamp Replacement

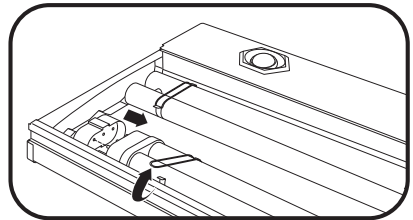


fig. D2 - Remove Retaining Band

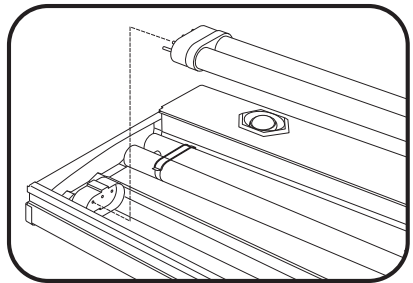
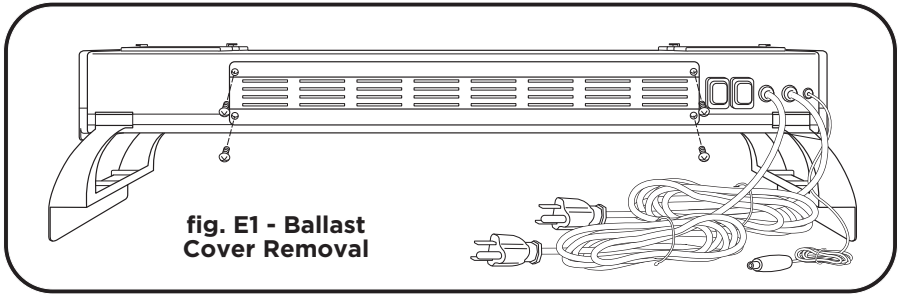


fig. D3 - Remove Bulb



# BALLAST REPLACEMENT

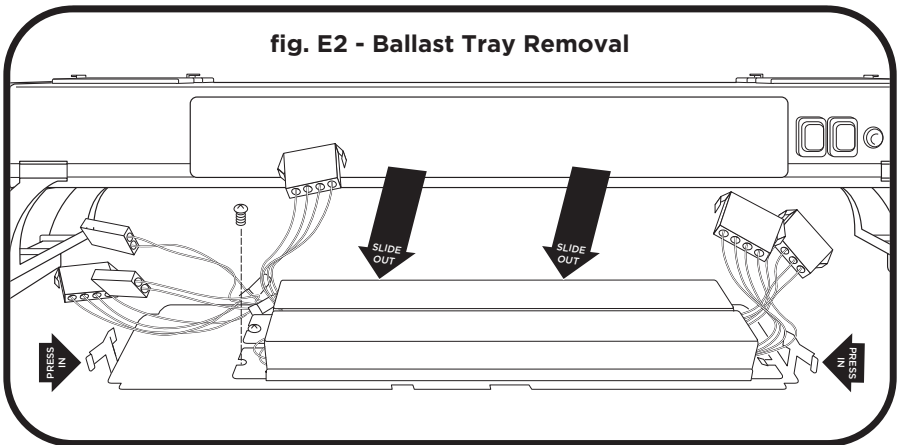


**SAFETY:** Turn off all power switches and unplug light fixture from power supply.

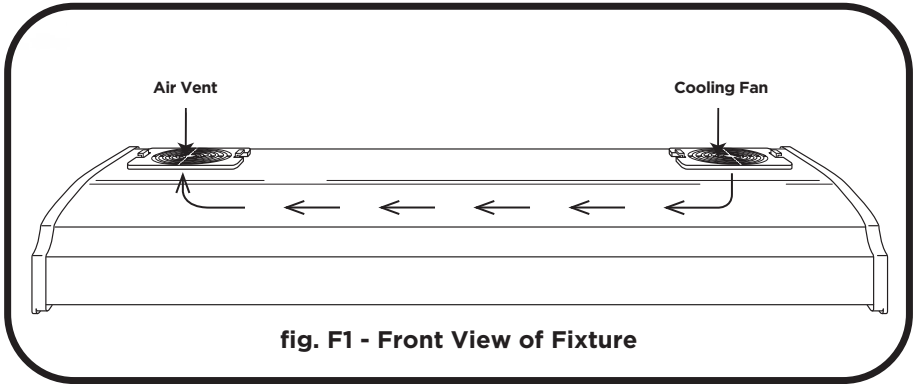
**CAUTION:** Let the unit cool down completely before handling.

## Ballast Replacement

1. Once completely cool, remove fixture from the aquarium and place on a non-abrasive, flat surface.
2. Remove the vented ballast cover from the back of the fixture by removing the screws using a crosshead screwdriver. (fig. E1)
3. Press in ballast tray tabs, lift slightly and pull out ballast tray far enough to reach quick disconnects. (fig. E2)
4. Unplug all quick-disconnect wires from both ballasts. Pull out ballast tray. (fig. E2)
5. Using a crosshead screwdriver, remove the screws holding the ballast you wish to replace from the ballast tray. (fig. E2)
6. Carefully install replacement ballast and the screws connecting it to the ballast tray.
7. Plug in all quick-disconnect wires and slide the ballast tray back into position until the ballast tray tabs "click" into place.
8. Replace ballast cover and the screws that connect it to the fixture.



# COOLING FAN REPLACEMENT

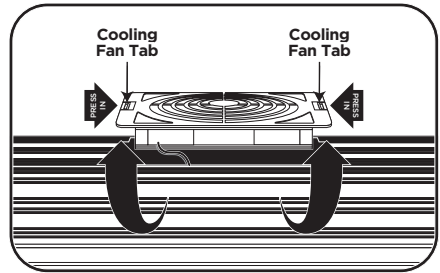


**SAFETY:** Turn off all power switches and unplug light fixture from power supply.

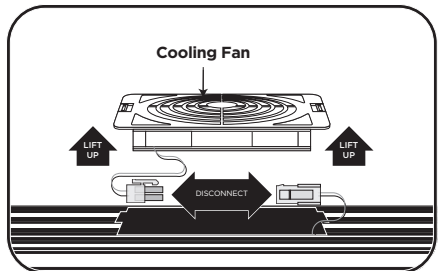
**CAUTION:** Let the unit cool down completely before handling.

## Cooling Fan Replacement

1. Once completely cool, remove fixture from the aquarium and place on a non-abrasive, flat surface.
2. Press in cooling fan cover tabs from top of fixture and lift cooling fan from fixture. (fig. F2)
3. Locate cooling fan quick-disconnect wire and disconnect from fixture (fig. F3)
4. Reconnect quick-disconnect wires and insert cooling fan into fixture.



**fig. F2 - Removing Cooling Fan**



**fig. F3 - Quick Disconnect**

# REPLACEMENT LAMP OPTIONS

## Ask Your Retailer for Coralife Compact Fluorescent Replacement Lamps

### 10,000K DAYLIGHT

10,000K Daylight lamps cast sparkling bright white rays and provide high lumen output to simulate the mid-day tropical sun. An excellent choice for both freshwater and saltwater tropical aquariums.

### 6,700K DAYLIGHT

6,700K Daylight lamps cast a natural white glow to simulate the appearance of sunlight. Ideal for freshwater aquariums with live plants.









### ACTINIC BLUELIGHT

Actinic lamps emulate the softer shades of blue light found at dawn, dusk and in deeper water. Promotes photosynthesis in corals and live plants while enhancing the natural beauty and vibrant colors of aquarium inhabitants.

### 50/50

50/50 lamps are half 10,000K daylight and half Actinic Bluelight to cast sparkling bright white rays and softer shades of blue light.

## Replacement of Included Bulbs In Coralife Compact Fluorescent Lunar Aqualights:

FIXTURE SIZE	ITEM #	REPLACEMENT LAMP DESCRIPTION	NO. OF LAMPS	PIN BASE
24"	05477	10K 65 Watt CF	1	STRAIGHT PIN BASE 
24"	05496	Actinic Bluelight 65 Watt CF	1	STRAIGHT PIN BASE 
30"	05477	10K 65 Watt CF	1	STRAIGHT PIN BASE 
30"	05496	Actinic Bluelight 65 Watt CF	1	STRAIGHT PIN BASE 
36"	05476	10K 96 Watt CF	1	SQUARE PIN BASE 
36"	05495	Actinic Bluelight 96 Watt CF	1	SQUARE PIN BASE 
48"	05477	10K 65 Watt CF	2	STRAIGHT PIN BASE 
48"	05496	Actinic Bluelight 65 Watt CF	2	STRAIGHT PIN BASE 

## LIMITED WARRANTY \*

Coralife warrants that this product shall be free from defective electrical components due to defects in materials or workmanship for a period of twelve months from the date of purchase. If a defect is shown, Coralife will, at Coralife's sole discretion, either repair or replace the product without charge. No cash refunds will be made. This warranty is provided solely to the original consumer purchaser of the product and may not be transferred or assigned.

This warranty does not apply to damage resulting from accident, misuse, abuse, lack of reasonable care, failure to follow safety and installation instructions, use of the product with non-standard electrical service, or any other defect not resulting from defects in the electrical components of the product or defects in materials or workmanship. This warranty will not be effective unless and until the Coralife product is shown to have been used in accordance with the safety and installation instructions accompanying the product, including the requirement that the product be used over a covered aquarium.

THIS CONSTITUTES CORALIFE'S ENTIRE WARRANTY AND CORALIFE MAKES NO OTHER WARRANTIES, WHETHER EXPRESS OR IMPLIED, WITH RESPECT TO THE PRODUCT. CORALIFE SPECIFICALLY DISCLAIMS ANY AND ALL IMPLIED WARRANTIES, INCLUDING, WITHOUT LIMITATION, WARRANTIES OF MERCHANTABILITY AND FITNESS FOR A PARTICULAR PURPOSE. IF CORALIFE CANNOT LAWFULLY DISCLAIM IMPLIED WARRANTIES UNDER THIS LIMITED WARRANTY, ALL SUCH WARRANTIES, INCLUDING WARRANTIES OF MERCHANTABILITY AND FITNESS FOR A PARTICULAR PURPOSE ARE LIMITED IN DURATION TO THE DURATION OF THIS WARRANTY.

CORALIFE IS NOT RESPONSIBLE FOR DIRECT, SPECIAL, INCIDENTAL OR CONSEQUENTIAL DAMAGES RESULTING FROM ANY BREACH OF WARRANTY OR CONDITION, OR UNDER ANY OTHER LEGAL THEORY. CORALIFE EXPRESSLY DISCLAIMS ALL ALLEGED DAMAGES FOR LOSS OF AQUATIC LIFE, PERSONAL INJURY, AND/OR PROPERTY DAMAGE. Some states and provinces do not allow the exclusion or limitation of incidental or consequential damages or exclusions or limitations on the duration of implied warranties or conditions, so the above limitations or exclusions may not apply to you. This warranty gives you specific legal rights, and you may also have other rights that vary by state or province.

Coralife shall not have any obligations under this warranty unless the owner notifies Coralife in writing of any alleged defect(s) within 30 days of discovery of the defect(s). Any notice to Coralife must be delivered by United States or electronic mail to one of the following addresses:

U.S. Mail:

Central Aquatics - Coralife  
5401 West Oakwood Park Drive  
Franklin, Wisconsin 53132

Electronic Mail:

info@Central-Aquatics.com

Coralife shall be allowed a reasonable period of time to investigate any warranty claim and to perform any testing Coralife deems necessary to determine the cause of the defect. This warranty shall be interpreted under the laws of the state of Wisconsin.

For additional information regarding this limited warranty, please contact us at the addresses above, or call us at 888-255-4527.

\*Lamps are not included in this warranty.

## **Coralife®**

A product of Central Aquatics™  
(Division of Central Garden & Pet Co.)

Franklin, WI 53132  
888.255.4527

Coralife® is a registered trademark of Central Garden & Pet Co.  
©2010 Central Garden & Pet Co.