



## Electric Lawn Mower

model no. 060-1721-4



**Toll-free: 1-866-523-5218**

### **IMPORTANT:**

Read and follow all safety rules and operating instructions before using this product.

Instruction  
Manual



model no. 060-1721-4 | contact us: 1.866.523.5218

## Table of Contents

SPECIFICATIONS	2
KNOW YOUR MOWER	3
EXPLODED VIEW	4
PARTS LIST	5
ASSEMBLY	7
SYMBOLS	10
SAFETY INFORMATION	11
OPERATION	18
MAINTENANCE	23
TROUBLESHOOTING	26
WARRANTY	27

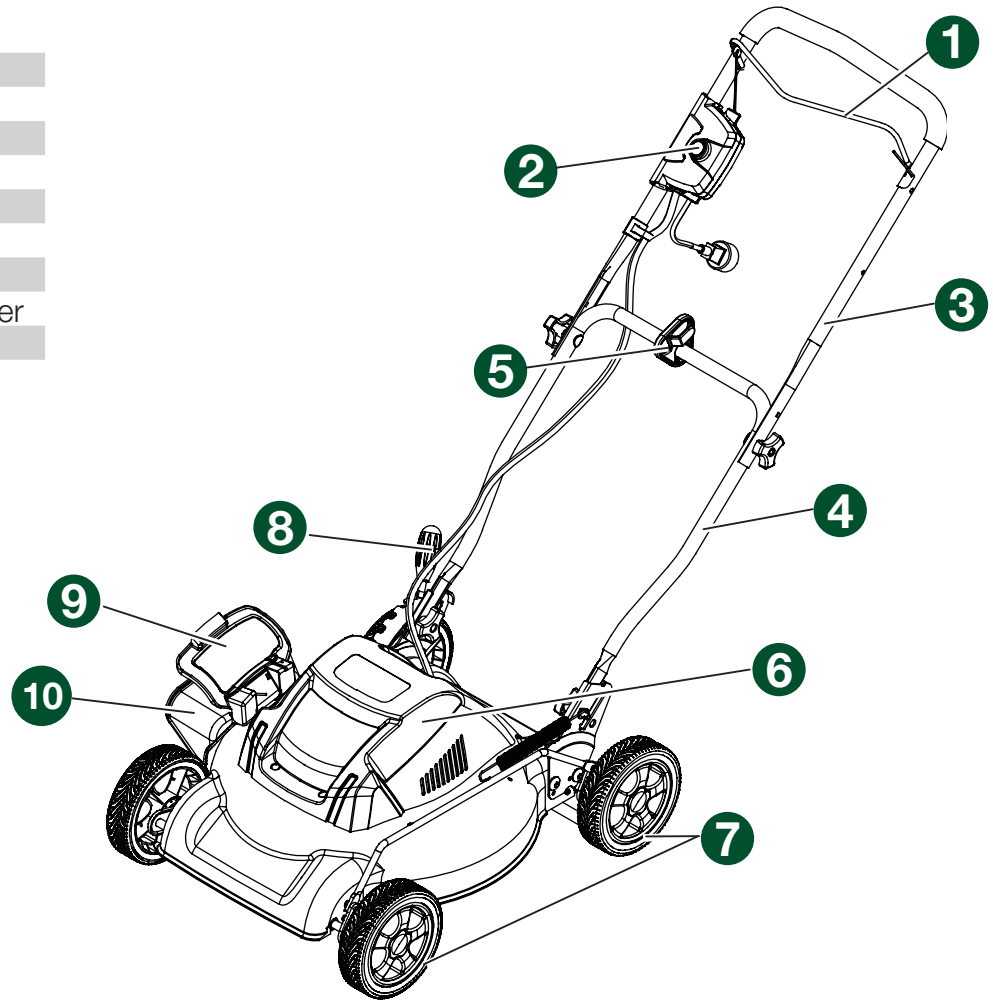
## Specifications

Motor:	120 V, 60 Hz, 12 A
No-load speed:	3600±10% RPM
Cutting width:	18" (45.7 cm)
Height adjustments:	1 5/8 to 3 1/8" (4.0 to 7.9 cm)
Functions:	2-in-1: mulch, or side discharge
Weight:	44 lb (20 kg)



model no. 060-1721-4 | contact us: 1.866.523.5218

1. Bail switch
2. Power button
3. Upper handle
4. Lower handle
5. Cord retainer
6. Motor housing
7. Wheels
8. Height adjustment lever
9. Side discharge cover
10. Side discharge chute



Know Your Mower

## KNOW YOUR MOWER

- Carefully remove the product and any accessories from the box. Make sure that all items listed in the packing list are included.
- Inspect the product carefully to make sure no breakage or damage occurred during shipping.
- Do not discard the packing material until you have carefully inspected and satisfactorily operated the product.
- If any parts are damaged or missing, please call 1-866-523-5218 for assistance.

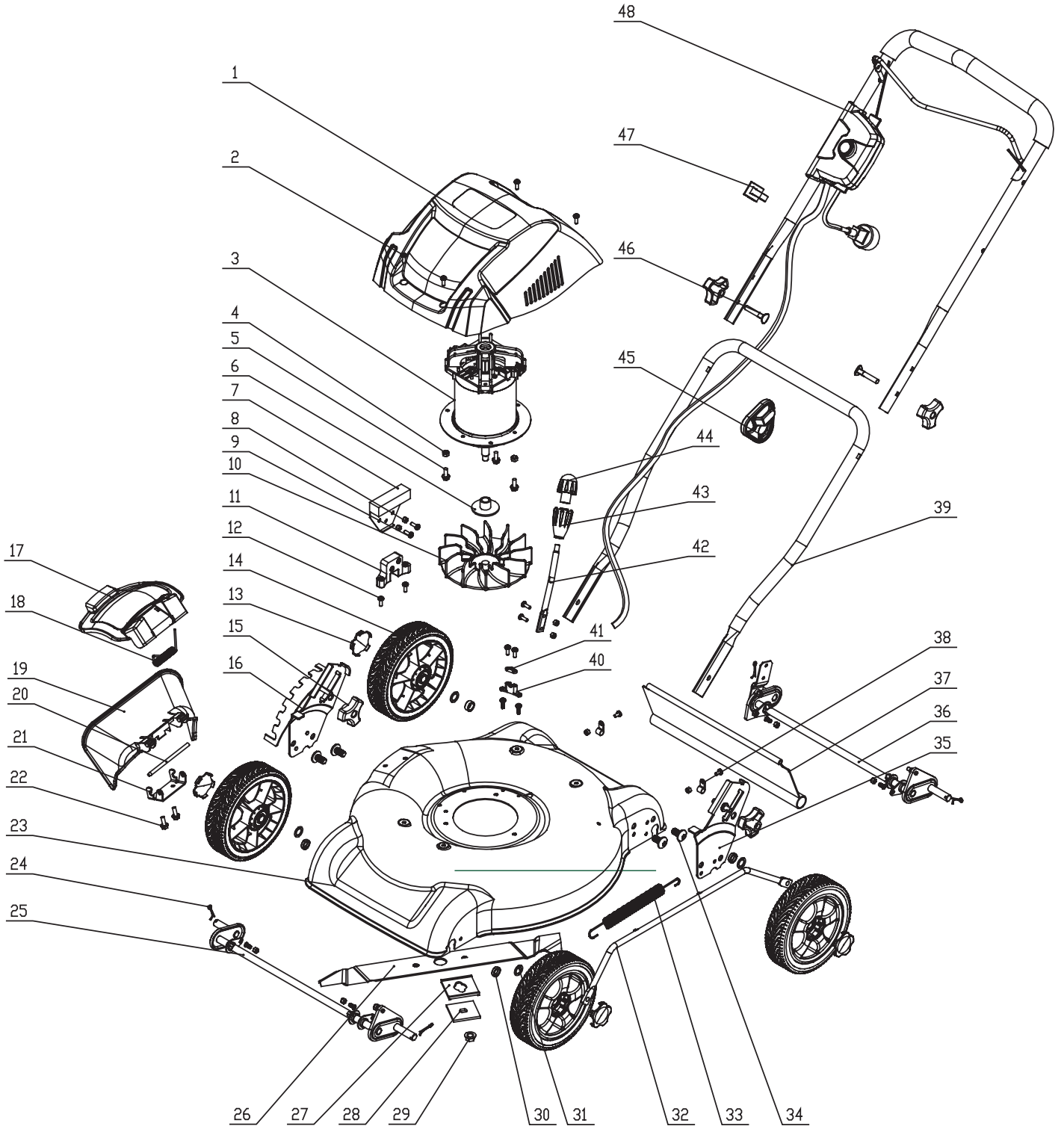


**WARNING:** If any parts are damaged or missing, do not operate this product until the parts are replaced. Using a product with damaged or missing parts could result in serious personal injury.



**WARNING:** Do not attempt to modify this product or create accessories not recommended for use with this product. Any such alteration or modification is misuse and could result in a hazardous condition leading to possible serious personal injury.

Exploded View





model no. 060-1721-4 | contact us: 1.866.523.5218

Item	Description	Drawing	Qty
1	Motor cover	341011166	1
2	Screw M5x15	3220435	1
3	12 A Motor	3610138-1	1
4	Lock nut M6	3220537	1
5	Bolt M6x12	3220137	1
6	Motor spindle sleeve	3320238A	1
7	Resistance and bracket	36901227-1	1
8	Lock nut M5	3220439	1
9	Screw M5x10	3220575	1
10	Fan	3410237	1
11	Resistance block	3410290-1	1
12	Screw M5x20	3220850	1
13	7" Wheel cover	34203229-13	1
14	7" Wheel (right)	34203229-4	1
15	Knob	3410835-4	1
16	Height adjustment plate (right)	3330837-1	1
17	Side discharge door	3410537	1
18	Spring	3340237-1	1
19	Side discharge deflector	3410637	1
20	Side discharge pin	3320338A	1
21	Side discharge bracket	3330437-1	1
22	Bolt M6x8	3220136	1
23	18" Deck	31301221-3	1
24	Cotter	3290135	1
25	18" Front wheel axle	3110137-2	1
26	Blade	33303463	1
27	Blade insulator	3410535	1
28	Spacer	3331435A	1
29	Blade nut	3221037A	1
30	Wheel ferrule	3320237	1
31	Clip	32905302A	1
32	Link bar	3330537-2	1
33	Extension spring	3340137-1	1
34	Bolt M10x20	3221637	1
35	Height adjustment plate (left)	3330737-1	1
36	Rear wheel axle	3110237-2	1



model no. 060-1721-4 | contact us: 1.866.523.5218

**Parts List**

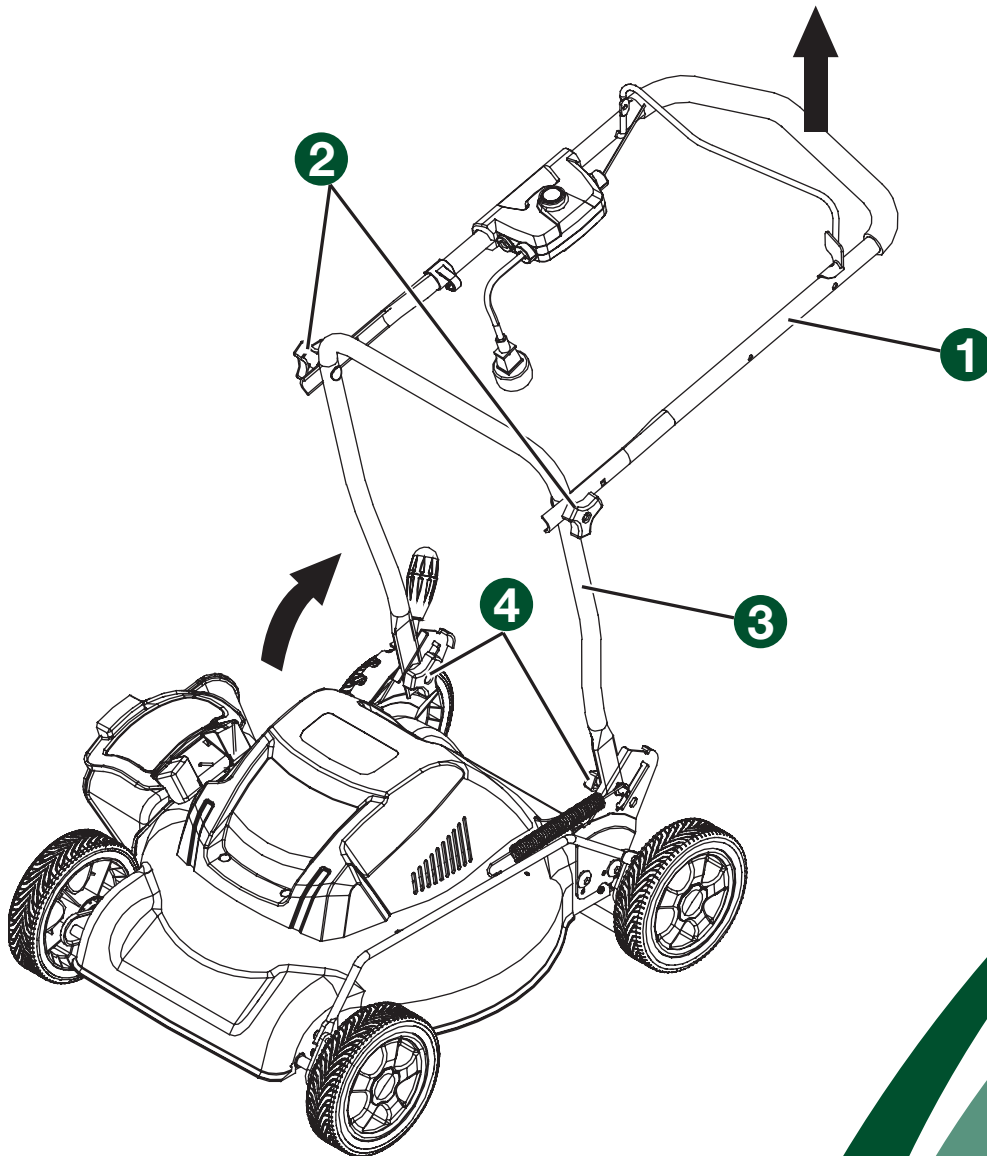
Item	Description	Drawing	Qty
37	Rear shield	34105466	1
38	Clip	32905302A	1
39	Lower handle	333011166	1
40	Cord retainer	3410137	1
41	Wire clip	3410403	1
42	Height adjustment lever	3220137-2	1
43	Height adjustment knob (Lower)	34114227-1	1
44	Height adjustment knob (Upper)	34113227-1	1
45	Cord retainer	34135469A	1
46	Bolt	3220436	1
47	Cord guide	3330490	1
48	Upper handle ass'y	31101489-4	1



model no. 060-1721-4 | contact us: 1.866.523.5218

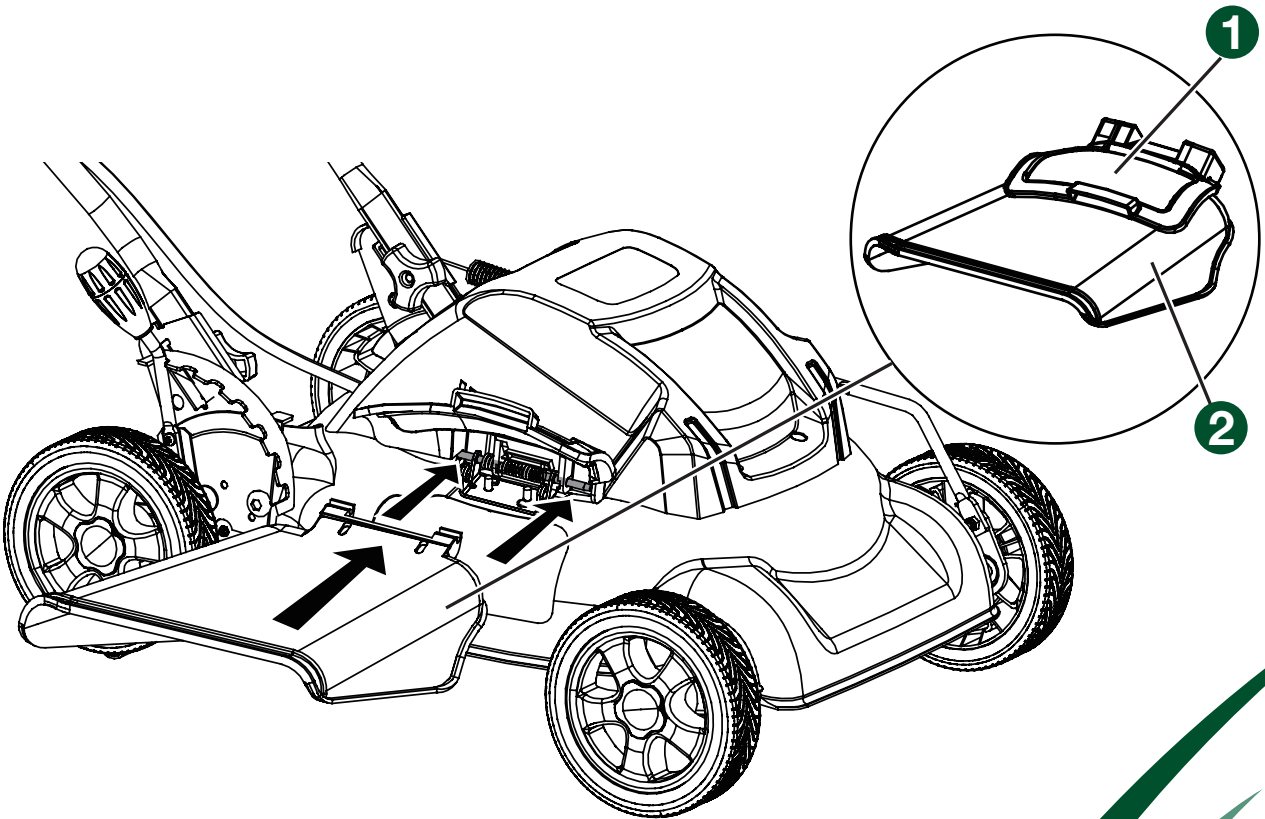
## UNFOLDING AND ADJUSTING HANDLE

- Pull up and back on the upper handle (1) to raise the handle into operating position. Make certain the handles snap into place securely.
- Tighten the upper handle with the handle knobs (2) on both sides.
- Tighten the lower handle (3) with the handle knobs (4) on both sides.



**INSTALLING THE SIDE DISCHARGE CHUTE**

1. Lift the side discharge cover (1).
2. Align the grooves on the deflector (2) with the pins on the underside of the cover.
3. Lower the deflector until the hooks on the mower deck are secured in the openings in the deflector.
4. Release the deflector and cover.







model no. 060-1721-4 | contact us: 1.866.523.5218

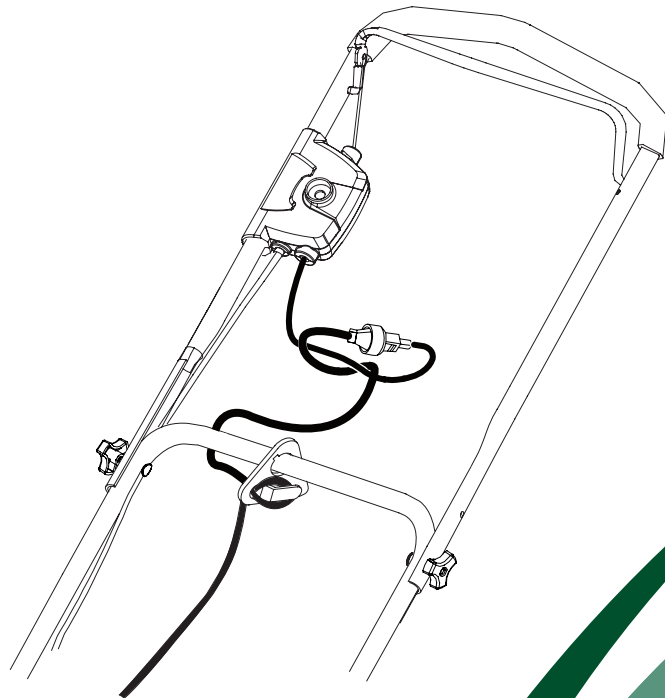
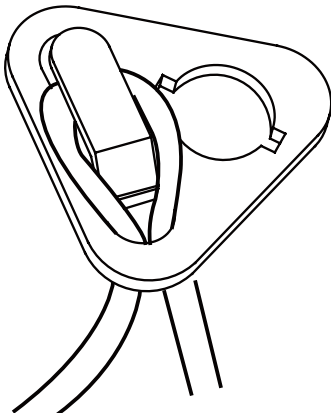
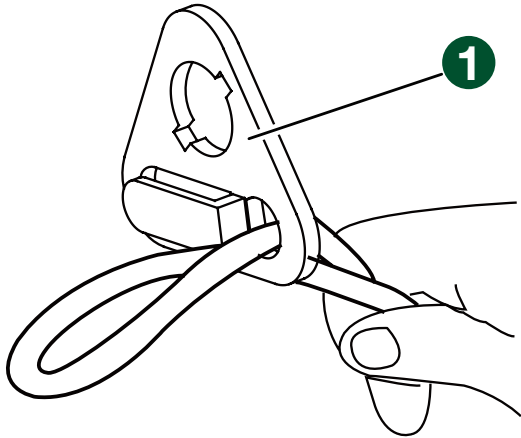
## USING THE CORD RETAINER

This lawn mower is equipped with a cord retainer in order to prevent the extension cord from disconnecting from the power cord while the mower is in use. The cord retainer hangs from the cord guide bar.

**NOTE:** Do not plug the extension cord into the outlet until it has been connected to the cord retainer and plugged into the mower.

To use the cord retainer (1):











1. Fold the extension cord in order to forming a tight loop near the retainer.
2. Push the loop through the bottom hole in the retainer.
3. Slide the loop over the retaining clip, and pull down until the cord is secured.





model no. 060-1721-4 | contact us: 1.866.523.5218

Some of the following symbols may be used on this product. Please study them and learn their meaning. Proper interpretation of these symbols will allow you to operate the product better and safer.

Symbol	Name	Designation/Explanation
V	Volts	Voltage.
A	Amperes	Current.
Hz	Hertz	Frequency (cycles per second).
W	Watts	Power.
min	Minutes	Time.
	Alternating Current	Type of current.
	Direct Current	Type or a characteristic of current.
$n_0$	No Load Speed	Rational speed, at no load
	Class II Construction	Double-insulated construction.
/min	Per Minute	Revolutions, strokes, surface speed, orbits etc., per minute.
	Wet Conditions Alert	Do not expose to rain or use in damp locations.
	Read The Operator's Manual	To reduce the risk of injury, user must read and understand operator's manual before using this product.
	Eye Protection	Wear eye protection when operating this equipment.
	Ricochet	Thrown objects can ricochet and result in personal injury or property damage.
	Sharp Blade	Danger – Keep hands and feet away from blade.
	Operating on a slope	Do not mow a slope that has an angle of greater than 15°.
	Keep Bystanders Away	Keep all bystanders at least 100' away.

**SAVE THESE INSTRUCTIONS!**



model no. 060-1721-4 | contact us: 1.866.523.5218

## GENERAL SAFETY RULES

### READ ALL INSTRUCTIONS CAREFULLY

- Carefully read all instructions on the mower and in the manual before attempting to assemble and operate the mower. Keep this manual in a safe place for future reference, and consult it regularly.
- Become familiar with all controls and their proper operation. Know how to stop the mower and how to disengage the power in an emergency.
- Do not allow children under the age of 14 to operate this mower. Children who are 14 years of age and older must read and understand the operating instructions and the safety rules in this manual, and must be trained and supervised by a parent.
- Do not allow anyone to operate this mower until they have read and understand the instructions.
- In order to avoid contact with the blade or injury caused by a thrown object, stay in the operator's zone behind the handles, and keep children and bystanders at least 75' (20 m) away from the mower while it is in operation. Stop the motor immediately if someone enters the mowing area.
- Thoroughly inspect the area where the equipment is to be used. Remove all stones, sticks, wire, bones, toys and other foreign objects that could be tripped over or thrown by the blade. Thrown objects can cause serious personal injury.
- Plan your mowing pattern in such a way as to avoid discharging material toward roads, sidewalks, bystanders, etc. Do not discharge material against a wall or obstruction. Doing so may cause the discharged material to ricochet back toward the operator.
- Always wear proper eye protection in order to protect your eyes while operating or performing any adjustment or repair. Thrown objects that ricochet can cause serious eye injury.
- Always wear a face mask or a dust mask when operating the mower in a dusty environment.
- Dress properly. Do not wear loose clothing or jewellery that can get caught in moving parts. The wearing of protective gloves and safety footwear is recommended.
- As an added safety measure, Ground Fault Circuit Interrupter (GFCI) protection should be provided on the circuit(s) or outlet(s) that will be used to power the lawn mower.



**WARNING:** Use of this mower should be restricted to individuals who have read and understood and will follow the warnings and instructions that are printed in this manual and on the mower.



**WARNING:** Basic safety precautions should always be followed when using electric lawn mowers, in order to reduce the risk of fire, electric shock, and personal injury.



model no. 060-1721-4 | contact us: 1.866.523.5218

## Safety Information

- In order to prevent electric shock, use this mower only with a CSA/CUL listed extension cord that is approved for outdoor use, such as Type SW-A, SOW-A, STW-A, STOW-A, SJW-A, SJOW-A, SJTW-A, or SJTOW-A.
- Extension cord: Verify that the extension cord is in good condition, is heavy enough to carry the current that your mower will draw, and is polarized (one blade of the plug is wider than the other). A 100' (30 m) extension cord should be of 14 AWG, a 50' (15 m) extension cord should be 16 AWG, and a 150' (45 m) extension cord should be 12 AWG. Undersized cords cause a drop in the line voltage, which leads to a loss of power and overheating.
- In order to reduce the risk of electric shock, this lawn mower is equipped with a polarized plug (one blade is wider than the other), and must be used with a polarized extension cord. The lawn mower's plug will only fit into the polarized extension cord one way. If the plug does not fit into the extension cord properly, reverse the plug. If the plug still does not fit, obtain a proper polarized extension cord. A polarized extension cord must be plugged into a polarized wall outlet. This plug will only fit into the polarized outlet one way. If the plug does not fit into the outlet properly, reverse the plug. If the plug still does not fit, contact a qualified electrician to install a proper outlet. Do not alter the lawn mower's plug, the receptacle on the extension cord, or the plug on the extension cord in any way.
- Household circuit: This mower is designed to operate on a 15 A circuit. If the mower has difficulty starting when connected to a circuit that contains a standard 15 A fuse or circuit breaker, call the toll-free helpline (1-866-523-5218). Do not use a fuse or circuit breaker with higher rating than that specified for your particular branch circuit.
- Do not abuse the cord by pulling the mower by the cord or yanking on the cord in order to disconnect it from the outlet. Keep the cord away from heat, oil, and sharp edges.
- Many injuries occur as a result of the mower being pulled over the operator's foot during a fall caused by slipping or tripping. Do not operate this mower bare feet, or while wearing sandals or lightweight (e.g., canvas) shoes. Do not hold on to the mower if you are falling. Release the handle immediately.



**DANGER:** This mower was built to be operated according to the rules for safe operation that are contained in this manual. As with any type of power equipment, carelessness or error on the part of the operator can result in serious injury. This mower is capable of amputating body parts and throwing objects. Failure to observe the following safety rules could result in serious injury or death.



**WARNING:** This symbol indicates important safety instructions. If these instructions are not followed, it could endanger the personal safety and/or property of the operator and others. Read and understand all instructions in this manual before attempting to operate the mower. Failure to comply with these instructions may result in personal injury.



model no. 060-1721-4 | contact us: 1.866.523.5218

- Never pull the mower back toward you while you are walking. If you must back the mower away from a wall or an obstruction, first look down and behind in order to avoid tripping, and then follow these steps:
  - Step back from the mower in order to fully extend your arms.
  - Be sure that you are well balanced.
  - Pull the mower back slowly.
  - Repeat these steps as necessary.
- Do not use mower for any job except that for which it is intended. Do not force the mower.
- Do not operate the mower while under the influence of alcohol or drugs.
- Stay alert: Do not operate the mower when you are tired. Pay attention to what you are doing. Use common sense.
- Do not put hands or feet near rotating parts or under the cutting deck. Contact with the blade can amputate hands and feet.
- Do not attempt to adjust the wheels or the cutting height while the motor is running.
- Avoid dangerous environments. Do not operate the mower in the rain or in wet or damp grass.
- Mow only in daylight or in good artificial light. Do not rush a mowing job.
- Stop the blade when crossing gravel driveways, walkways, or roads.
- If the mower starts to vibrate abnormally, stop the motor and check for the cause immediately. Vibration is generally a warning of trouble.
- Stop the motor and wait until the blade comes to a complete stop before removing the grass catcher or unclogging the chute. The cutting blade will continue to rotate for a few seconds after the motor is shut off. Do not place any part of your body in the blade area until you are sure that the blade has stopped rotating.
- Never operate the mower without a proper trail shield, discharge cover, grass catcher, blade/motor control, or other safety protective devices in place and in working order. Do not operate the mower with damaged safety devices. Doing so can result in injury.



## OPERATING ON A SLOPE

Slopes are a major factor related to accidents involving slips and falls, which can result in severe injury. Operating the mower on a slope requires extra caution. If you feel uneasy on a slope, do not mow it. For your safety, use the slope gauge that is included as part of this manual to measure slopes before operating this mower on a sloped or hilly area. Do not mow a slope that has an angle greater than 15°.

- Mow across the face of a slope, never up and down. Exercise extreme caution when changing direction on a slope.
- Watch for holes, ruts, rocks, hidden objects, or bumps that may cause a slip or a trip. Tall grass can hide obstacles. Remove all objects such as rocks, tree limbs, etc., that can be tripped over or thrown by the blade.
- Always be sure of your footing. If you feel like you are losing your balance, release the blade/motor control handle immediately. The blade will stop rotating within 3 seconds.
- Do not mow near drop-offs, ditches, or embankments, because you could lose your footing or balance.
- Do not mow a slope that has an angle greater than 15°, as determined using the slope gauge.
- Do not mow wet or damp grass. Unstable footing can cause slipping.

## CHILDREN

- Tragic accidents can occur if the operator is not aware of the presence of children. Keep children out of the mowing area and under the watchful care of a responsible adult. Stay alert, and turn the mower off if a child enters the mowing area. Look behind and down for small children before and while moving backwards. Use extreme care when approaching blind corners, doorways, shrubs, trees, or other objects that may obscure your view of a child who may run into the path of the mower.
- Do not allow children under the age of 14 to operate this mower. Children who are 14 years of age and older must read and understand the operating instructions and safety rules in this manual, and must be trained and supervised by a parent.



model no. 060-1721-4 | contact us: 1.866.523.5218

## SERVICE

- When servicing the mower, use only replacement parts that are listed in this manual. The use of parts that do not meet the original equipment specifications may lead to improper performance, and may compromise safety.
- Before cleaning, repairing, or inspecting, verify that the blade and all moving parts have come to a complete stop. In order to prevent accidental start-ups, disconnect the power cord when the mower is not in use.
- Follow the instructions for lubricating and changing accessories.
- Inspect the lawn mower's power cord and extension cords regularly, and replace them immediately if they are damaged. In order to obtain replacement parts, call the toll-free helpline, at 1-866-523-5218.
- Keep the handles dry, clean, and free of oil and grease.
- In order to reduce the risk of fire, keep the motor free of grass, leaves, and debris build-up.
- Check the blade and the motor mounting bolts for proper tightness frequently. Visually inspect blade for damage (e.g., bent, cracked, or worn).
- For best and safest performance, maintain the mower with care. Keep the mower blade sharp and clean. Mower blades are sharp, and can cut. Wrap the blades or wear gloves, and use extra caution when servicing.
- Keep all nuts, bolts, and screws tight in order to be sure that the mower is in safe working condition.
- Do not tamper with safety devices. Check them regularly for proper operation.
- After striking a foreign object, stop the motor and disconnect the power cord. Thoroughly inspect the mower for any damage. Repair any damage before operating the mower.
- The grass catcher components, discharge cover, and trail shield are subject to wear and damage, which could expose moving parts or allow objects to be thrown. As a safety precaution, check the components frequently and immediately replace any parts that show signs of wear, or that are cracked or broken. Use original equipment manufacturer's (OEM) parts only, as listed in this manual.
- When it is not in use, store the mower indoors in a dry area, locked up or out of the reach of children.




model no. 060-1721-4 | contact us: 1.866.523.5218

## Safety Information

### DOUBLE-INSULATED LAWN MOWER

Double insulation eliminates the need for the usual three-wire grounded power cord and grounded power supply system. Wherever there is electric current in the mower, there are two complete sets of insulation to protect the user. All exposed metal parts are isolated from the internal metal motor components by protecting insulation.

 **IMPORTANT:** Servicing a lawn mower with double insulation requires extreme care and knowledge of the system, and should only be performed by a qualified service technician. If repairs are required, call the toll-free helpline, at 1-866-523-5218. Always use original factory replacement parts when servicing.

 **WARNING:** IT IS YOUR RESPONSIBILITY to restrict the use of this mower to people who have read and understand the warnings and instructions that appear in this manual and on the mower, and who will follow them.



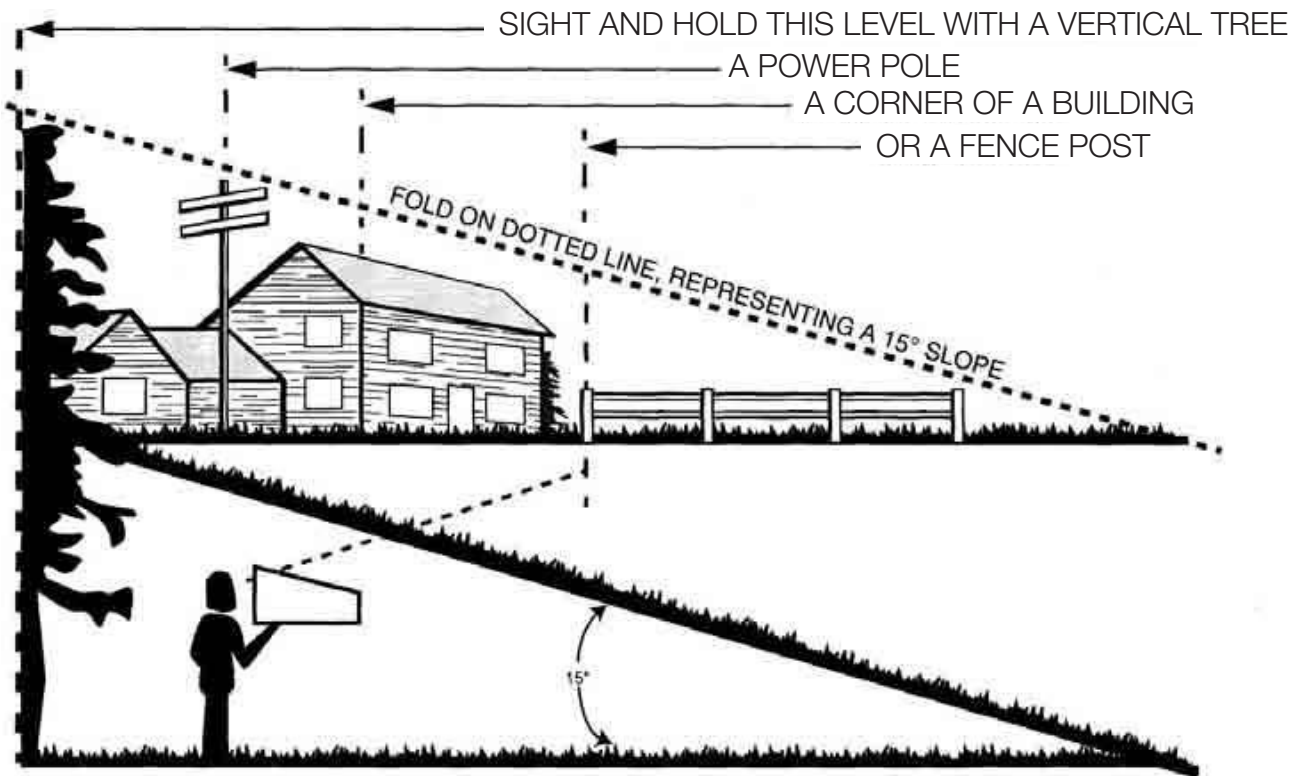


model no. 060-1721-4 | contact us: 1.866.523.5218

## SLOPE GAUGE

Use this page as a guide in order to identify slopes that cannot be mowed safely.

- DO NOT USE the lawn mower on these slopes.
- SIGHT AND HOLD THIS EDGE LEVEL WITH A VERTICAL TREE.
- FOLD ON THE DOTTED LINE. THIS REPRESENTS A SLOPE OF 15°.



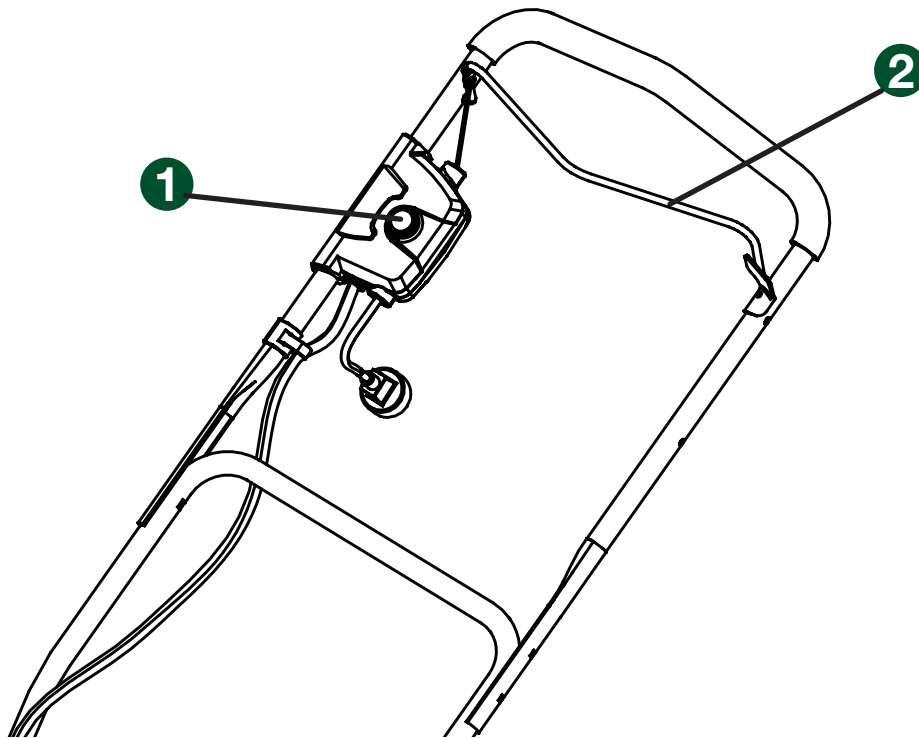
## STARTING AND STOPPING THE MOWER

### STARTING THE MOWER:

- Plug the mower into an approved outdoor extension cord.
- Press and hold the start button (1).
- Pull the bail switch (2) toward the handle to start the mower and release the button.

### STOPPING THE MOWER:

Release the bail switch (2).



**WARNING:** Ensure that other people and pets remain at least 50' (15 m) away when the mower is in use.



**WARNING:** The operation of any mower can result in foreign objects being thrown into the eyes, which can cause severe eye damage. Always wear safety glasses while operating the mower and while performing any adjustments or repairs.



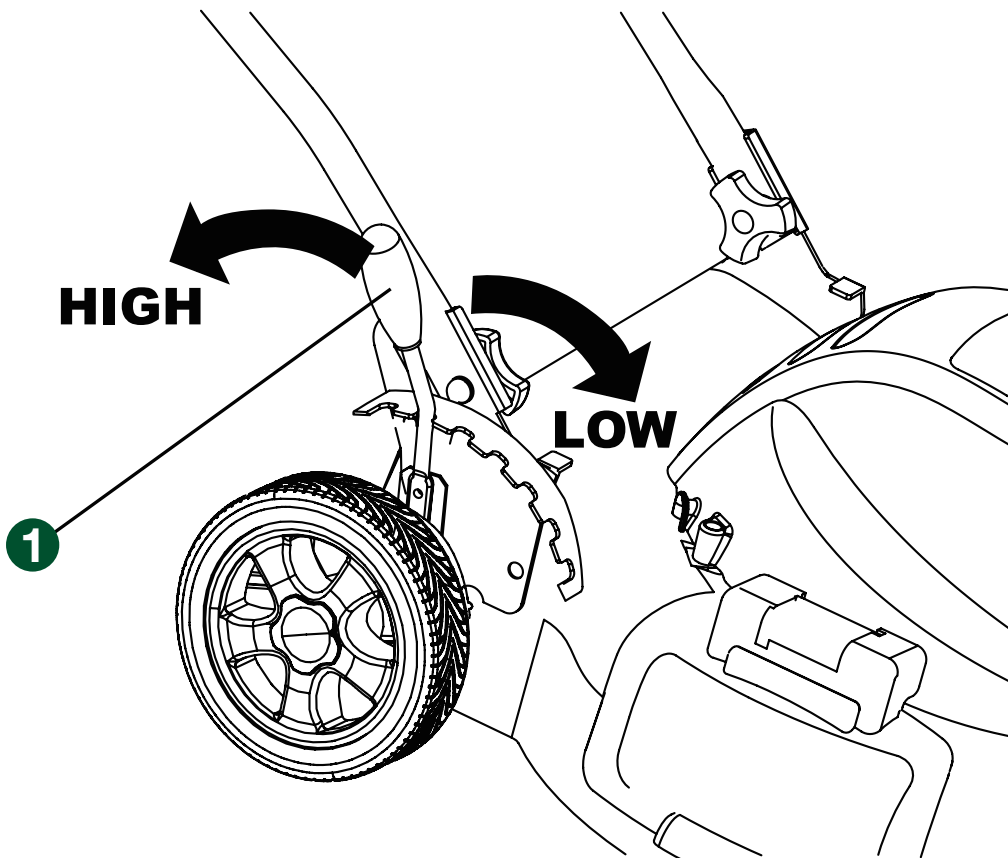
model no. 060-1721-4 | contact us: 1.866.523.5218

## ADJUSTING THE CUTTING HEIGHT

When shipped, the wheels on the mower are set to a low cutting position. Before using the mower for the first time, raise the cutting position to the height best suited for your lawn. The average lawn should be between 1 1/2 to 2" (3.8 to 5 cm) during cool months and between 2 and 3 3/4" (5 cm to 8.3 cm) during hot months.

To adjust the blade height:

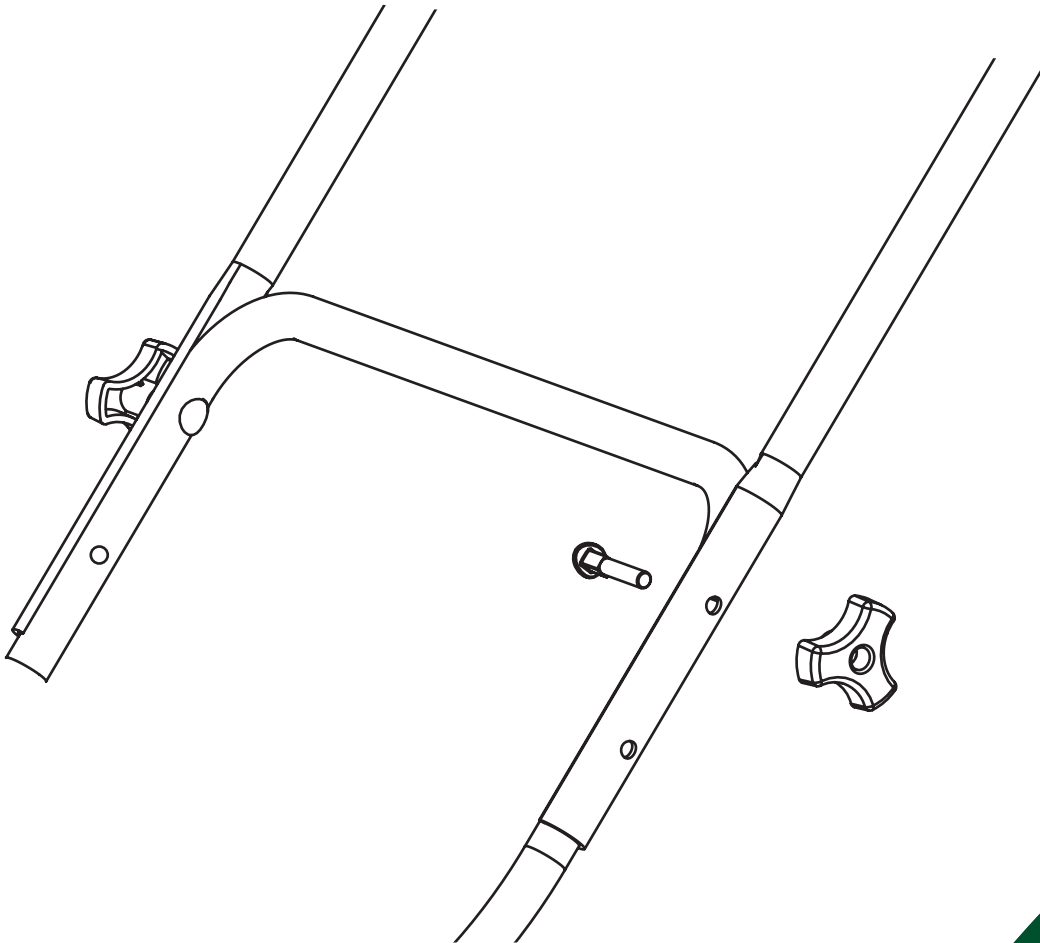
- To raise the blade height, grasp the height adjustment lever (1) and move it toward the back of the mower.
- To lower the blade height, grasp the height adjustment lever (1) and move it toward the front of the mower.



### ADJUSTING THE UPPER HANDLE HEIGHT

You may raise or lower the upper handle to a position that is comfortable for you.

1. Loosen the upper handle knob.
2. Move the upper handle to the desired position. There are 2 positions for you to choose from.
3. Tighten the upper handle knob as much as you can.





model no. 060-1721-4 | contact us: 1.866.523.5218

## SLOPE OPERATION

- Mow across the face of slopes, never up and down. Exercise extreme caution when changing direction on slopes.
- Watch for holes, ruts, rocks, hidden objects or bumps which can cause you to slip or trip. Tall grass can hide obstacles. Remove all objects such as rocks, tree limbs, etc., which could be tripped over or thrown by the blade.
- Always be sure of your footing. A slip and fall can cause serious personal injury. If you feel you are losing your balance, release the power lever immediately.
- Do not mow near drop-offs, ditches, or embankments; you could lose your footing or balance.

**MOWING TIPS**

- Make sure the lawn is clear of stones, sticks, wires and other objects that could damage the lawn mower blade or motor. Do not mow over property stakes or other metal posts. Such objects could be accidentally thrown by the mower in any direction and cause serious personal injury to the operator and others.
- For a healthy lawn, always cut off 1/3 or less of the total length of the grass.
- Do not cut wet grass, it will stick to the underside of the deck and prevent proper bagging or mulching of grass clippings.
- New or thick grass may require a narrower cut or a higher cutting height.
- Clean the underside of the mower deck after each use to remove grass clippings, leaves, dirt and any other accumulated debris.
- When cutting long grass, reduce walking speed to allow for more effective cutting and a proper discharge of the clippings.

NOTE: Always stop mower, allow blade to completely stop before cleaning underneath the mower.



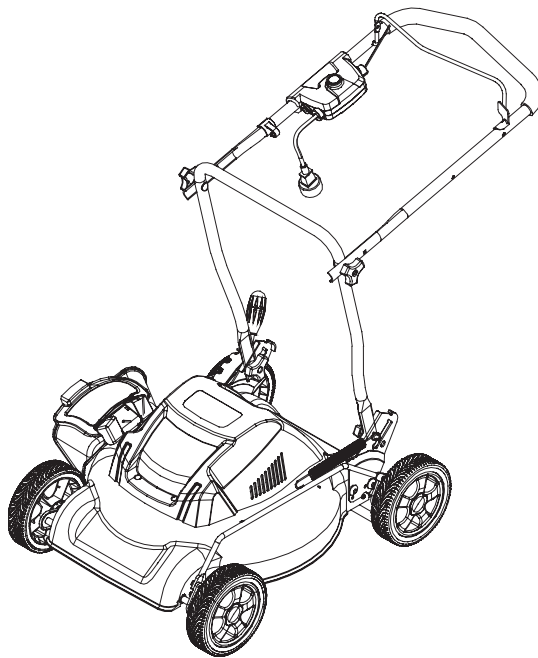
**WARNING:** Slopes are a major factor related to slip and fall accidents that can result in severe injury. Operation on slopes requires extra caution. If you feel uneasy on a slope, do not mow it. For your safety, do not attempt to mow slopes greater than 15°.



model no. 060-1721-4 | contact us: 1.866.523.5218

## GENERAL MAINTENANCE

- Before each use, inspect the entire product for damaged, missing or loose parts such as screws, nuts, bolts, caps, etc.
- Tighten securely all fasteners and caps, and do not operate this product until all missing or damaged parts are replaced. Please call YardWorks tools customer service for assistance. Avoid using solvents when cleaning plastic parts. Most plastics are susceptible to damage from various types of commercial solvents and may be damaged by their use. Use clean cloths to remove dirt, dust, oil, grease, etc.
- Periodically check all nuts and bolts for proper tightness to ensure safe operation of the mower.
- Wipe the mower clean with a dry cloth occasionally. Do not use water.
- The handle may be folded away completely for storage:
  - Fully loosen the handle knobs on the sides of the handle and fold the upper handle down.
  - Push inward on each side of the lower handle, and lift the sides of the lower handle past the edges of the handle mounting brackets. Avoid pinching or trapping any cables.



**WARNING:** When servicing, use only authorised replacement parts. Use of any other parts may create a hazard or cause product damage.



**WARNING:** Do not at any time let brake fluids, gasoline, petroleum-based products, penetrating oils, etc., come in contact with plastic parts. Chemicals can damage, weaken, or destroy plastic, which may result in serious personal injury.



model no. 060-1721-4 | contact us: 1.866.523.5218

## LUBRICATION

All of the bearings in this product are lubricated with a sufficient amount of high grade lubricant for the life of the unit under normal operating conditions. Therefore, no further bearing lubrication is required.



**WARNING:** Always protect hands by wearing heavy gloves and/or wrapping the cutting edges of the blade with rags and other material when performing blade maintenance. Contact with the blade could result in serious personal injury.



**WARNING:** Do not lubricate any of the wheel components. Lubrication may cause the wheel components to fail during use, which could result in serious personal injury to the operator and/or mower, or property damage.

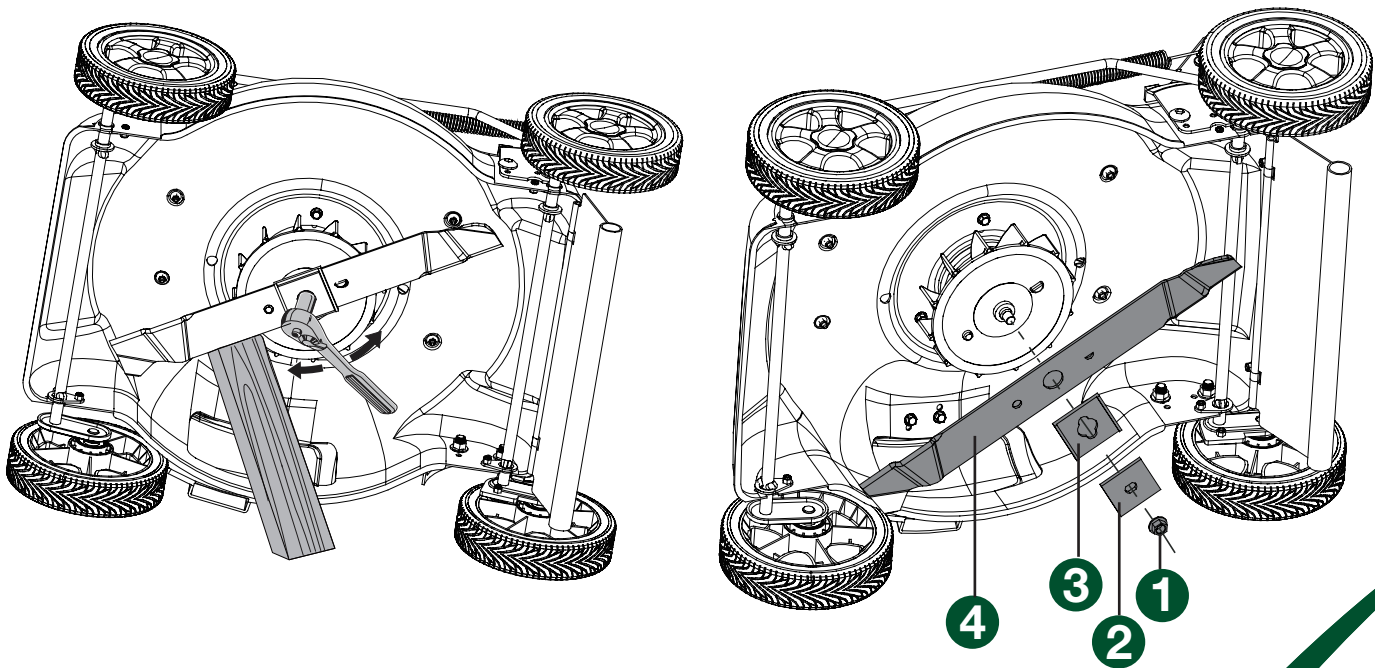




model no. 060-1721-4 | contact us: 1.866.523.5218

## REPLACING THE CUTTING BLADE

1. RELEASE THE BAIL SWITCH TO TURN THE MOWER OFF, WAIT FOR THE BLADE TO COME TO A COMPLETE STOP, AND THEN UNPLUG THE POWER CORD.
2. While wearing leather padded gloves, wedge a block of wood between the blade and the mower deck in order to prevent the blade from turning when the nut is being removed.
3. Using a 15-mm wrench or socket, loosen the blade nut (1) and remove the blade (4). Turn the nut "COUNTERCLOCKWISE" to loosen it and "CLOCKWISE" to tighten it.
4. Remove the blade nut (1), the square washer (2), the insulator washer (3) and the blade (4).
5. To re-install the blade, position the blade with the cutting edges toward the ground. Assemble the blade nut, the square washer, and the insulator washer in the exact order in which they were removed. Using a 15 mm wrench or socket, turn the blade nut CLOCKWISE to secure the blade.



**WARNING:** Be sure to replace the parts in the exact order in which they were removed. When installing the cutting blade, verify that it is installed with the curved ends pointing toward the mower deck, and not toward the ground. Refer to the schematic drawing above.



model no. 060-1721-4 | contact us: 1.866.523.5218

PROBLEM	POSSIBLE CAUSE	SOLUTION
Motor refuses to start.	Power turned off.	Turn power on.
	Mains socket faulty.	Use another socket.
	Extension cable damaged.	Inspect cable, replace if damaged.
	Fuse faulty/blown.	Replace fuse.
	Grass too long.	Increase cutting height and tilt mower to reduce starting load.
Mower functions intermittently.	Motor protector has been activated.	Allow motor to cool and increase cutting height.
	Extension cable damaged.	Inspect cable, replace if damaged.
	Internal wiring of mower damaged.	Contact service agent.
Mower leaves ragged finish and/or motor labours.	Motor protector has been activated.	Allow motor to cool and increase cutting height.
	Cutting height too low.	Increase cutting height.
	Cutting blade blunt.	Replace the blade.
	Possible clogging.	Check underneath the mower and clear out as necessary (always wear gardening gloves).
Blade not rotating while mower is switched on.	Blade fitted upside down.	Refit blade correctly.
	Cutting blade obstructed.	Switch off mower. Clear obstruction (always wear gardening gloves).
Excessive vibrations/noise.	Blade nut/bolt loose.	Tighten blade nut/bolt.
	Blade nut/bolt loose.	Tighten blade nut/bolt.
	Cutting blade damaged.	Replace the blade.



model no. 060-1721-4 | contact us: 1.866.523.5218

## 2-YEAR LIMITED WARRANTY

For TWO YEARS from the date of purchase within Canada, YARDWORKS® CANADA will, at its option, repair or replace for the original purchaser, free or charge, any part or parts that are found to be defective in material or workmanship.

- 7-day over-the-counter replacement for initial defects for unused product (RA # required for used product)
- 2-year repair warranty

This warranty does not cover:

1. Any part that has become inoperative due to misuse, commercial use, abuse, neglect, accident, improper maintenance, or alteration;
2. The unit, if it has not been operated and/or maintained in accordance with the Owner's Manual;
3. Normal wear;
4. Routine maintenance items such as lubricants, blades;
5. Normal deterioration of the exterior finish due to use or exposure.

**How to Obtain Service:** Warranty service is available by calling the Toll-Free Helpline, at 1-866-523-5218. YARDWORKS® CANADA will not accept the return of a complete unit unless prior written permission has been extended by YARDWORKS® CANADA.

**Transportation Charges:** Transportation charges for

the movement of any power equipment unit or attachment are the responsibility of the purchaser. The purchaser must pay transportation charges for any part submitted for replacement under this warranty, unless such return is requested, in writing, by YARDWORKS® CANADA.

**Other Warranties:** All other warranties, whether express or implied, including any implied warranty of merchantability, are limited in their duration to that set forth in this express limited warranty. The provisions as set forth in this warranty provide the sole and exclusive remedy of YARDWORKS® CANADA obligations arising from the sale of its products.

YARDWORKS® CANADA will not be liable for incidental or consequential loss or damage. Imported by YardWorks Canada, Toronto, Canada M4S 2B8

**YARDWORKS CANADA will not be liable for incidental or consequential loss or damage.**

Made in China. Imported by YardWorks  
Canada Toronto, Canada M4S 2B8