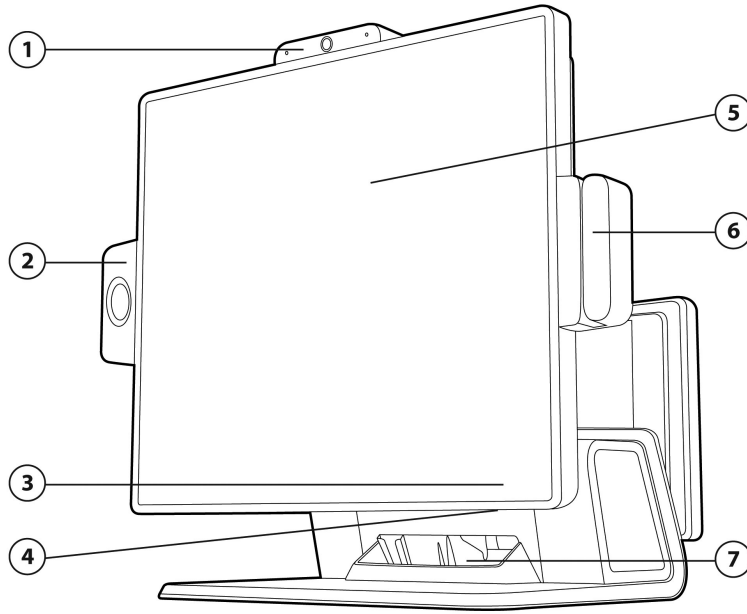
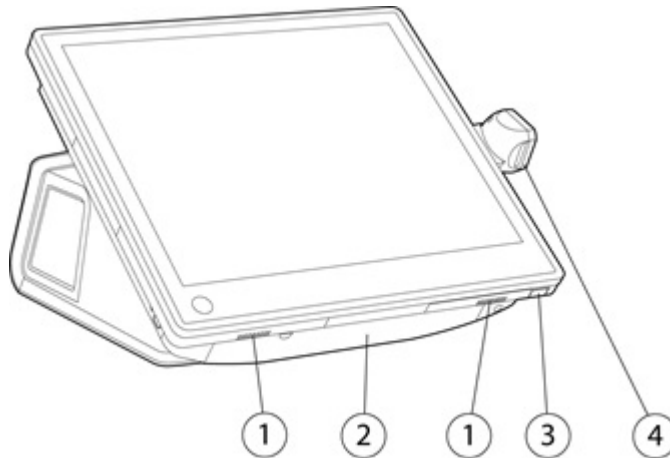


### Overview

#### FRONT VIEW



- 1. Optional HP Retail Integrated Webcam
- 2. Optional HP Retail Integrated Fingerprint Reader
- 3. On-screen display LED's
- 4. Recessed Power button
- 5. Touchscreen Assembly
- 6. Optional HP Retail Integrated Dual-Head MSR
- 7. Cable pass-through channel

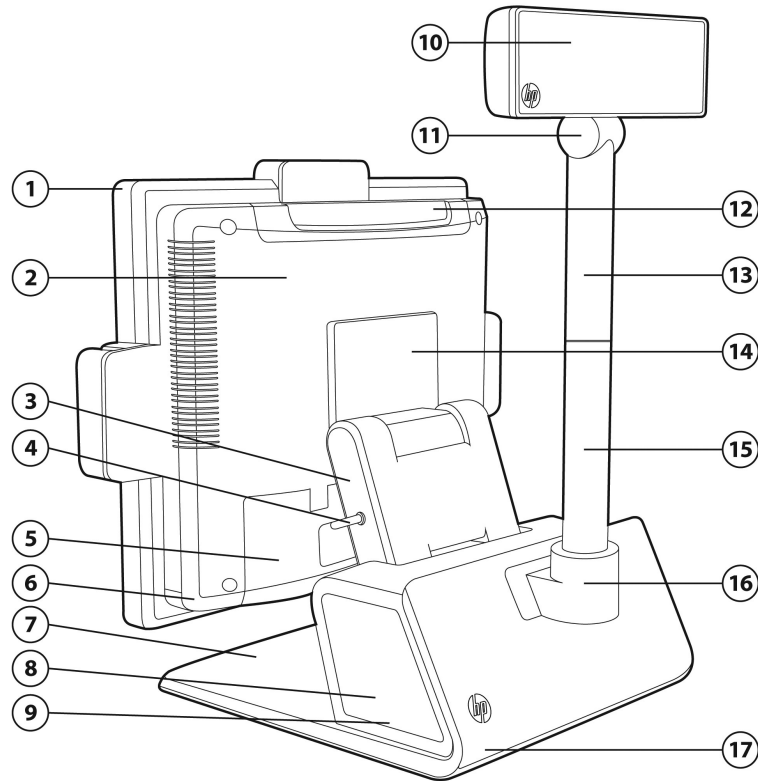


#### VIEW SHOWING SPEAKERS

- 1. Speakers
- 2. I/O Panel Cover
- 3. Recessed Power Button
- 4. HP Retail Integrated Barcode Scanner

#### HP RP7 Retail System, Model 7800 REAR VIEW WITH 2-LINE DISPLAY - VFD

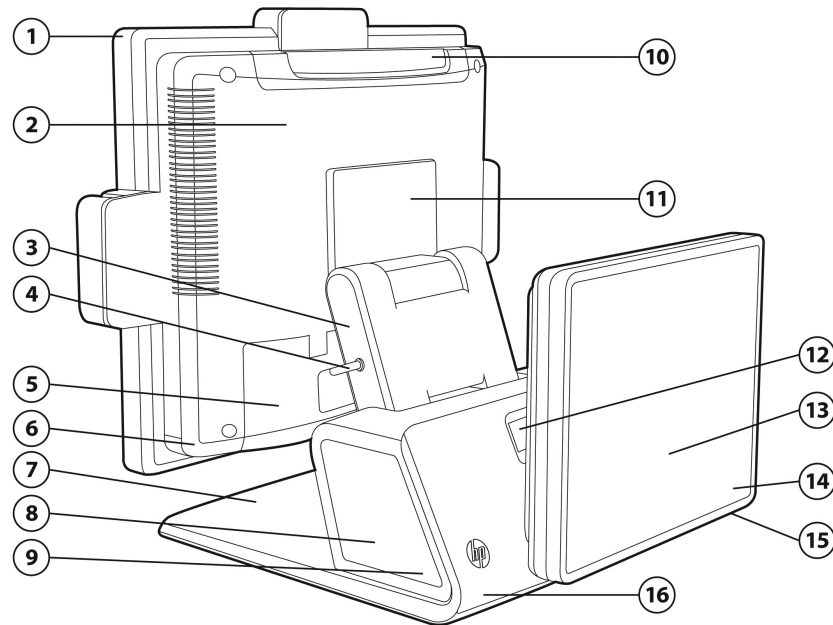
### Overview



- |   |                                       |
|---|---------------------------------------|
| 1. Operator display                         | 10. 2-Line VFD                        |
| 2. Rear cover                               | 11. VFD Hinge                         |
| 3. Dual hinge                               | 12. Decorative panel                  |
| 4. Cable-management retainer                | 13. VFD Pole (Section 2)              |
| 5. I/O Cover                                | 14. 100mm VESA Mount (Wall Mountable) |
| 6. Kensington lock & padlock loop           | 15. VFD Pole (Section 1)              |
| 7. Base & keyboard tray                     | 16. VFD Mount                         |
| 8. Power supply cover (sealed brick inside) | 17. Decorative panel                  |
| 9. "Bolt-to-counter" feature                |                                       |

**HP RP7 Retail System, Model 7800**  
**REAR VIEW WITH CUSTOMER-FACING DISPLAY**

### Overview



- |                                   |  |
|-----------------------------------|--|
| 1. Operator display               | 10. Decorative panel                     |
| 2. Rear cover                     | 11. 100 mm VESA mount (wall mountable)   |
| 3. Dual hinge                     | 12. Customer-facing display hinge        |
| 4. Cable-management retainer      | 13. Customer-facing 10.4" display        |
| 5. I/O cover                      | 14. On-screen display LED's              |
| 6. Kensington lock & padlock loop | 15. Customer-facing display power button |
| 7. Base & keyboard tray           | 16. Decorative panel                     |
| 8. Power supply cover             |  |
| 9. "Bolt-to-counter" feature      |  |

### At A Glance

- Designed for long-term deployment within retail and hospitality markets
- Choice of operator display:
  - 15" 5-Wire Resistive Touchscreen
  - 15" Flush-Glass, Projected Capacitive Touchscreen
  - 17" Flush-Glass, Projected Capacitive Touchscreen
- Processor choices:
  - Intel® Core™ i5-2400S (2.50 GHz, 4 cores) featuring Intel® vPro™ Technology and Intel® HD Graphics 2000
  - Intel® Core™ i3-2120 (3.30 GHz, 2 cores) with Intel® HD Graphics 2000
  - Intel® Pentium® G850 (2.90 GHz, 2 cores) with Intel® HD Graphics
  - Intel® Celeron® G540 (2.50 GHz, 2 cores) with Intel® HD Graphics
- Operating System choices:
  - Microsoft Windows 8.1 Pro 64-bit (Preinstalled)\*
  - Microsoft Windows Embedded 8.1 Industry Pro Retail 64-bit (Preinstalled)\*
  - Windows 7 Professional (32-bit or 64-bit) (Preinstalled)
  - Windows 7 Professional (32-bit or 64-bit - Available through downgrade rights from Windows 8.1 Professional) (Preinstalled)

### Overview

- Windows 8 (64-bit) (Supported)
- Windows Embedded POSReady 7 (32-bit or 64-bit) (Preinstalled)
- Windows Embedded POSReady 2009 (Preinstalled)
- FreeDOS 2.0 (Preinstalled)
- Windows XP Professional Edition (32-bit) (Supported)
- Novell® SUSE Linux Enterprise Desktop† (Certified)
- Integrated peripheral options (can also be purchased and installed separately):
  - HP Retail Integrated Dual-Head MSR
  - HP Retail Integrated Fingerprint Reader
  - HP Retail Integrated Webcam
  - HP Retail Integrated Barcode Scanner
  - Customer-facing 2 line VFD (Vacuum Fluorescent Display)
  - Customer-facing 10.4" LCD Display
- Industry-standard 100mm VESA mounting pattern allows for flexible use without the optional stand
- 2 DDR3 Memory Slots (16 GB Maximum)
- Gigabit NIC
- Trusted Platform Module (TPM)
- Hard Drive and Solid-State Drive Options
- RAID level 0,1 capable
- Cable Management Features
- ENERGY STAR® 5 qualified, EU Compliant, RoHS2 Compliant
- 87% energy efficient power supply (enclosed in stand)
- HP Limited Warranty, 3/3/3 standard: 3 years parts, 3 years labor, and 3 years on-site services

\* This device has been certified for Windows 8 as a Specialized PC (SPC). The SPC certification program allows for the certification of commercial devices designed with industry specific features that conflict with the standard Windows 8 multi-touch certification requirements expected of a touch panel. In this case the RP7800 is designed to support Retail Point of Sale applications which only require single touch (Resistive) or simple multi-touch (Projected Capacitive) features. Please refer to the Display section on pages 6 and 7 for display features.

### Standard and Configurable Components

#### OPERATING SYSTEM

##### Preinstalled

Microsoft Windows 8.1 Pro 64-bit\*

Microsoft Windows Embedded 8.1 Industry Pro Retail 64-bit\*

Windows 7 Professional (32-bit or 64-bit) available through downgrade rights from Windows 8.1 Professional

Windows 7 Professional (32-bit or 64-bit)

Windows Embedded POSReady 7 (32-bit or 64-bit)

Windows Embedded POSReady 2009

FreeDOS 2.0

##### Supported

Windows 8 (64-bit) (Supported)

Windows XP Professional Edition (32-bit)

##### Certified

Novell SUSE Linux Enterprise Desktop†

\* This device has been certified for Windows 8 as a Specialized PC (SPC). The SPC certification program allows for the certification of commercial devices designed with industry specific features that conflict with the standard Windows 8 multi-touch certification requirements expected of a touch panel. In this case the RP7800 is designed to support Retail Point of Sale applications which only require single touch (Resistive) or simple multi-touch (Projected Capacitive) features. Please refer to the Display section on pages 6 and 7 for display features.

† The following features are not supported by Novell SUSE Linux Enterprise Desktop:

- HP ProtectTools (Available with Windows 7 only)
- Power Management features
- Multi-touch capabilities (Projected Capacitive Touch option)

Systems configured with Linux do not qualify for ENERGY STAR

#### PROCESSORS

Intel® Core™ i5-2400S (2.50 GHz, 6 MB cache, 4 cores) featuring Intel® vPro Technology and Intel® HD Graphics 2000

Intel® Core™ i3-2120 (3.30 GHz, 3 MB cache, 2 cores) with Intel® HD Graphics 2000

Intel® Pentium® G850 with Intel® HD Graphics (2.90 GHz, 3 MB cache, 2 cores)

Intel® Celeron® G540 with Intel® HD Graphics (2.50 GHz, 2 MB cache, 2 cores)

##### INTEL® VPRO™ TECHNOLOGY

HP RP7 Retail Systems featuring this technology include processors that are part of the Intel® Stable Image Platform Program (SIPP) designed to ensure the stability promise inherent in the value proposition of the HP RP7 Retail System.

**Intel Advanced Management Technology (AMT) v7.0** - An advanced set of remote management features and functionality which provides network administrators the latest and most effective tools to remotely discover, heal, and protect networked client systems regardless of the system's health or power state. AMT 7.0 includes the following advanced management functions:

- Power Management (on, off, reset)
- Hardware Inventory (includes BIOS and firmware revisions)
- Hardware Alerting

### Standard and Configurable Components

- Agent Presence
- System Defense Filters
- SOL/IDER
- Cisco NAC/SDN Support
- ME Wake-on-LAN
- DASH 1.1 compliance
- IPv6 Support
- Fast Call for Help - a client inside or outside the firewall may initiate a call for help via BIOS screen, periodic connections, or alert triggered connection
- Remote Scheduled Maintenance - pre-schedule when the HP RP7 Retail System connects to the IT or service provider console for maintenance. Remote HP RP7 Retail Systems can get required patches, be inventoried, etc by connecting to their IT console or Service Provider when it's convenient
- Remote Alerts - automatically alert IT or service provider if issues arise
- Access Monitor - Provides oversight into Intel® AMT actions to support security requirements
- Alarm Clock
- Microsoft NAP Support
- Host Base set-up and configuration
- Management Engine (ME) firmware roll back
- Wireless AMT functionality on Point of Sale/Desktop (WoDT)
- Enhanced KVM technology

---

### CHIPSET

Intel® Q67 Express

---

### GRAPHICS

Intel HD Graphics Basic and 2000 (integrated)

---

### OPERATOR DISPLAY

#### 15" Resistive Operator Display

Touch Technology	5-wire Resistive
Resolution	1024 x 768
Aspect Ratio	4:3
Max Color	16.7M
Contrast Ratio	700:1
Brightness	350 cd/m <sup>2</sup>
Pixel Pitch	0.297mm x 0.297mm
Viewing Angle	160° horizontally and 140° vertically
Response rate	25ms on/off
Default Color Temperature	6500 K
Anti-Glare Hardness	>8H
Color Gamut	52%
Backlight	LED

### Standard and Configurable Components

#### 15" Projective Capacitive Operator Display

Touch Technology	Flush-Glass Projected Capacitive
Resolution	1024 x 768
Aspect Ratio	4:3
Max Color	16.7M
Contrast Ratio	700:1
Brightness	350 cd/m <sup>2</sup>
Pixel Pitch	0.297mm x 0.927mm
Viewing Angle	160° horizontally and 140° vertically
Response rate	25ms on/off
Default Color Temperature	6500° K
Anti-Glare Hardness	>8H
Color Gamut	52%
Backlight	LED

#### 17" Projective Capacitive Operator Display

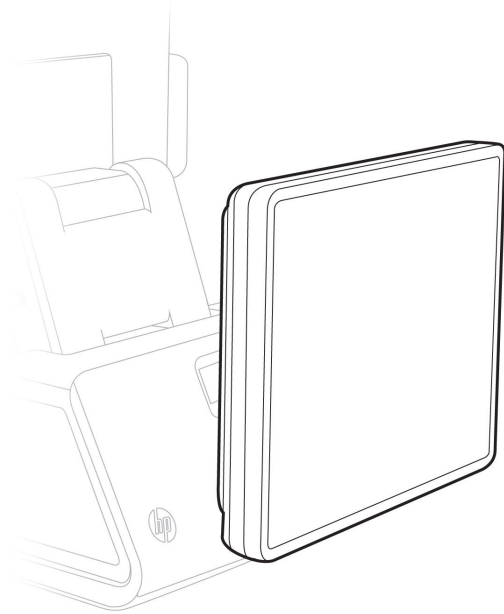
Touch Technology	Flush-Glass Projected Capacitive
Resolution	1280 x 1024
Aspect Ratio	5:4
Max Color	16.7M
Contrast Ratio	800:1
Brightness	225 cd/m <sup>2</sup>
Pixel Pitch	0.264mm x 0.264mm
Viewing Angle	170° horizontally and 160° vertically
Response rate	20m on/off
Default Color Temperature	6500 K
Anti-Glare Hardness	>8H
Color Gamut	68%
Backlight	LED

---

## INTEGRATED PERIPHERAL OPTIONS

### HP RP7 10.4-inch Customer Facing Display Option

### Standard and Configurable Components



#### **QZ702AA/B0T22AV**

Touch Technology	Not supported
Resolution	1024 x 768
Aspect Ratio	4:3
Max Color	16.2M
Contrast Ratio	1000:1
Brightness	300 cd/m2
Pixel Pitch	0.0685(H) x 0.2055(V)
Viewing Angle (of LCD Panel)	176° horizontally and 176° vertically
Tilt Adjustment (of display)	-5deg to + 45deg
Response rate	25ms (rise+fall time)
Default Color Temperature	6500° K
Anti-Glare Hardness	>8H
Color Gamut	57%
Backlight	LED
Video Interface	DVI-I
Dimensions	25.4 x 4.1 x 20.8 (head unit only)
Weight	1.2kg (head unit only)
Power	DC (powered from a DC-Out port on the RP7 terminal)
Audio	Integrated speakers (connected through line-out on RP7 terminal)

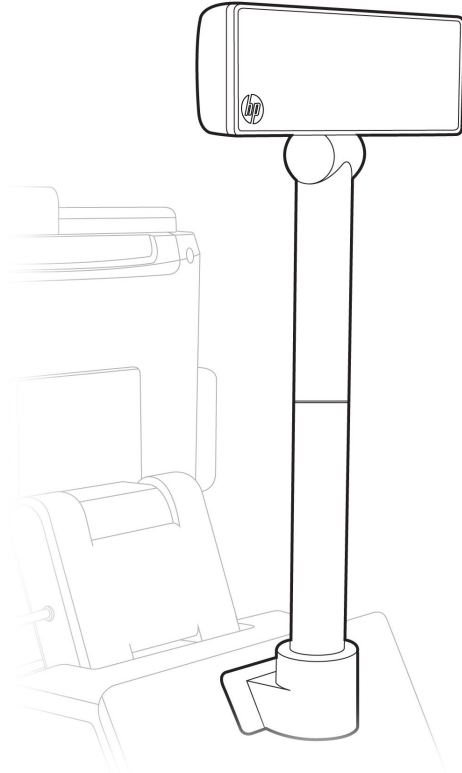


### Standard and Configurable Components

Optional Stand

A1X79AA

#### HP RP7 2-Line (2x20) VFD Customer Display Option



Display Type

Vacuum Fluorescent Display, Blue Green

Brightness

350 - 700 cd/m<sup>2</sup>

Character Number

2 x 20

Character Support

Complex Characters and Graphics

Character Font

20 x 2 for 16 x 16 font

10 x 1 for 32 x 32 font

320 x 32 for graphics

Character Size

5.5(W) x 10.5(H) mm

Emulation Modes

ICD-2002, EPSON POS D101, Aedex, UTC/S, UTC/P, ADM788, DSP800, CD5220

Supported Code Pages

Bosnian (852), Croatian (852), Czech (1252), Danish (1252), Dutch (1252), English (US) (437), Estonian (1257), Faroese (1252), Finnish (1252), Flemish (1252), French (1252), German (1252), Greek (1253), Hebrew (1255), Hungarian (852), Icelandic (1252), Indonesian (1252), International English (1252), Italian (1252), Japanese (Shift-JIS), Latvian (1257), Lithuanian (1257), Norwegian (865), Polish (852), Slavonic/Russian (866), Slovak (852), Slovene (852), Spanish (1252), Swedish (1252), Thai (874)

Horizontal Rotation

180°

Height Adjustment

(through two included pole extension options)

### Standard and Configurable Components

Tilt Adjustment	-5° to 60°
Interface/Connection	USB+PWR 12V (connects to the RP7 I/O panel)
Mechanical Dimensions (LxWxH)	226 x 40.05 x 72 mm
Power Voltage (typical)	12V nominal
Drivers	OPOS, JPOS

#### HP RP7 Adjustable Stand

QZ703AA/B0T02AV

Stand can be pre-configured with the HP RP7 Retail System or purchased and installed separately. The stand connects to the terminal through an industry-standard 100mm VESA pattern and conceals the sealed power supply for the RP7. The dual-hinge mechanism allows for a broad range of user adjustability and allows the terminal to be used in an upright or a low-profile, reclining position. The built-in cable-management features provide for a clean terminal installation and bolt-down capabilities allow the terminal to be secured to the counter.

#### HP RP7 Value Stand

E3A13AV/ E5E14AA

A budget-friendly stand that's ideal for tight spaces. The single-hinge fixed height design delivers -5° to +30° adjustable tilt range for easy positioning. With a smaller footprint than the performance stand, it fits easily into small work environments such as kiosks, corners, and tight hospitality countertops and sits neatly on top of HP RPOS Cash Drawers. A printer and keyboard can be positioned on the stand along with the HP RP7 for a tidy solution that maximizes the available space.

#### HP Retail Integrated Dual-Head MSR

QZ673AA/B0T12AV

<b>General</b>	<b>Magnetic stripe formats</b>	ISO 7811 (JIS I), AAMVA
	<b>Card thickness</b>	0.015 to 0.045 in (0.38 to 1.14 mm)
	<b>Indicators</b>	Audio
<b>Mechanical</b>	<b>Dimensions (LxWxH)</b>	3.94in x 3.06in x 1.34in (99.98mm x 77.8mm x 34mm)
	<b>Weight</b>	4.06 oz (115g)
	<b>Slot width</b>	0.45 in (0.114 cm)
	<b>Color</b>	HP Black
<b>Interface/ Connection</b>	<b>Interface</b>	USB 2.0
	<b>Connection</b>	Type A
<b>Power</b>	<b>Voltage (typical)</b>	5.0V +/- 5% supplied by USB, 50mV ripple max
	<b>Current consumption (typical)</b>	40mA max
	<b>Drivers</b>	Windows Native, OPOS, JPOS
<b>Operating Systems</b>	<b>Compatibility</b>	Microsoft Windows 8.1 Pro 64-bit Microsoft Windows Embedded 8.1 Industry Pro Retail 64-bit Microsoft Windows 7 Professional 32-bit

### Standard and Configurable Components

	Microsoft Windows 7 Professional 64-bit
	Microsoft Windows Embedded POSReady 2009
	Microsoft Windows Embedded POSReady 7 32-bit
	Microsoft Windows Embedded POSReady 7 64-bit
	Microsoft Windows XP Professional
<b>Option Kit Contents</b>	HP Retail Integrated Dual-Head MSR, HP Point of Sale System Software and Documentation CD.

#### HP Retail Integrated Fingerprint Reader QZ672AA/B0T13AV

<b>General</b>	<b>Scan Data</b>	8-bit grayscale (256 levels of gray)
	<b>Pixel resolution</b>	512 dpi (average x,y over the scan area)
	<b>Scan capture area</b>	14.6 mm (nom. width at center) 18.1 mm (nom. length)
<b>Mechanical</b>	<b>Dimensions (L x W x H)</b>	3.94in x 3.06in x 1.34in (99.98mm x 77.8mm x 34mm)
	<b>Weight</b>	3.39 oz (96 g)
	<b>Color</b>	HP Black
<b>Interface/ Connection</b>	<b>Interface</b>	USB 2.0
<b>Power</b>	<b>Supply Voltage</b>	5.0V ±5% supplied by USB
	<b>Supply Current scanning</b>	< 100 mA (Typical)
	<b>Supply Current idle mode 1</b>	20 mA (Typical)
	<b>Supply Current-suspend mode</b>	< 0.5 mA (Maximum)
<b>Environmental</b>	<b>Temperature</b>	Operating 0 - 40 C
	<b>Humidity</b>	Operating 20% - 80% non-condensing
<b>Drivers</b>		Windows Native
<b>Operating Systems</b>	<b>Compatibility</b>	Microsoft Windows 8.1 Pro 64-bit Microsoft Windows Embedded 8.1 Industry Pro Retail 64-bit Microsoft Windows 7 Professional 32-bit Microsoft Windows 7 Professional 64-bit Microsoft Windows Embedded POSReady 2009 Microsoft Windows Embedded POSReady 7 32-bit Microsoft Windows Embedded POSReady 7 64-bit Microsoft Windows XP Professional
<b>Option Kit Contents</b>	HP Retail Integrated Fingerprint Reader, HP Point of Sale System Software and Documentation CD.	

#### HP Retail Integrated Webcam QZ700AA/B0T03AV

<b>General</b>	<b>CMOS Sensor</b>	OV9726
	<b>Resolution</b>	HD: 1280x720

### Standard and Configurable Components

	<b>Image Control</b>	Automatic Exposure, Automatic White Balance, Automatic Gain
	<b>Field of View</b>	74.9°
	<b>Focus Distance</b>	19.69 in (500 mm)
	<b>Focus Range</b>	20.5cm ~ infinity
	<b>Microphone</b>	Yes (2, Stereo)
<b>Mechanical</b>	<b>Dimensions (LxWxH)</b>	3.94in x 1.77in x 1.34in (100mm x 44.9mm x 34mm)
	<b>Weight</b>	2.05 oz (58g)
	<b>Color</b>	HP Black
<b>Interface/ Connection</b>	<b>Interface</b>	USB 2.0
<b>Power</b>	<b>Voltage (typical)</b>	3.3V (5V to 3.3V conversion board inside Webcam module to make it USB compatible)
	<b>Current consumption (typical)</b>	150mA
<b>Drivers</b>		Windows Native
<b>Operating Systems</b>	<b>Compatibility</b>	Microsoft Windows 8.1 Pro 64-bit Microsoft Windows Embedded 8.1 Industry Pro Retail 64-bit Microsoft Windows 7 Professional 32-bit Microsoft Windows 7 Professional 64-bit Microsoft Windows Embedded POSReady 2009 Microsoft Windows Embedded POSReady 7 32-bit Microsoft Windows Embedded POSReady 7 64-bit Microsoft Windows XP Professional
<b>Option Kit Contents</b>		HP Retail Integrated Webcam, HP Installation Guide.
<b>HP Retail Integrated Barcode Scanner E1L07AA/E6N62AV (Installed by customer or reseller)</b>		
<b>General</b>	<b>Indicators</b>	Audible and visual read indicators
	<b>Scan direction</b>	Omni-directional
<b>Symbologies</b>	<b>1D / Linear Codes</b>	Autodiscriminates all standard 1D codes including GS1 DataBar™ linear codes.
	<b>2D Codes</b>	Aztec Code; China Han Xin Code; Data Matrix; MaxiCode; Micro QR Code; QR Code
	<b>Postal codes</b>	Australian Post; British Post; China Post; IMB; Japanese Post; KIX Post; Korea Post; Planet Code; Postnet; Royal Mail Code (RM4SCC)
	<b>Stacked codes</b>	EAN/JAN Composites; GS1 DataBar Composites; GS1 DataBar Expanded Stacked; GS1 DataBar Stacked; GS1 DataBar Stacked Omnidirect
<b>Depth of field</b>	<b>Code 39: 5 mils</b>	4.7 to 17.7 cm (1.8 to 7.0 in)
	<b>Code 39: 10 mils</b>	1.7 to 33.2 cm (0.7 to 13.1 in)
	<b>Data Matrix: 10 mils</b>	2.7 to 17.1 cm (1.0 to 6.7 in)

### Standard and Configurable Components

<b>Mechanical</b>	<b>Data Matrix: 15 mils</b>	1.2 to 24.6 cm (0.5 to 9.7 in)
	<b>EAN: 13 mils</b>	2.5 to 41.9 cm (1.0 to 16.5 in)
	<b>PDF417: 10 mils</b>	2.2 to 23.9 cm (0.9 to 9.4 in)
	<b>QR Code: 10 mils</b>	3.5 to 16.0 cm (1.4 to 6.3 in)
	<b>Dimensions (LxWxH)</b>	4.63 x 3.94 x 2.09 in
	<b>Weight</b>	6.1 ounces (172g) (approximately)
<b>Interface/ Connection</b>	<b>Adjustability</b>	±120°(side to side), ±1.5° +90°/-5°(down/up), ±1.5°
	<b>Color</b>	HP Black
	<b>Interface</b>	USB 2.0
<b>Power</b>	<b>Connection</b>	Type A
	<b>Voltage (typical)</b>	5.0V +/- 5% supplied by USB
<b>Drivers</b>	<b>Current consumption (typical)</b>	<180mA
	<b>Operating Systems</b>	Windows Native, OPOS, JPOS
	<b>Compatibility</b>	Microsoft Windows 8.1 Pro 64-bit Microsoft Windows Embedded 8.1 Industry Pro Retail 64-bit Windows 8 Professional 64-bit* Windows 8 Professional 32-bit* Windows 7 Professional 32-bit** Windows 7 Professional 64-bit** Windows Embedded POSReady 2009 Windows Embedded POSReady 7 32-bit Windows Embedded POSReady 7 64-bit Microsoft Windows XP Professional

\*Not all features are available in all editions of Windows 8. Systems may require upgraded and/or separately purchased hardware, drivers and/or software to take full advantage of Windows 8 functionality. See <http://www.microsoft.com>.

\*\*Not all features are available in all editions of Windows 7. This system may require upgraded and/or separately purchased hardware to take full advantage of Windows® 7 functionality. See <http://www.microsoft.com/windows/windows-7/> for details.

**Options Kit Contents** HP Retail Integrated Barcode Scanner, HP Point of Sale System Software and Documentation CD. Drivers for the HP Retail Integrated Barcode Scanner are on [www.hp.com](http://www.hp.com), listed under the RP7 Model 7100, RP7 model 7800, HP L6015tm monitor, and HP L6017tm monitors.

**Notes** HP recommends that you only install a scanner in the bottom USB port if the RP7 is attached a Value Stand or has no stand. If the scanner is attached to the bottom USB port on the Performance Stand, the scanner can get damaged if the stand is placed in the low profile position.

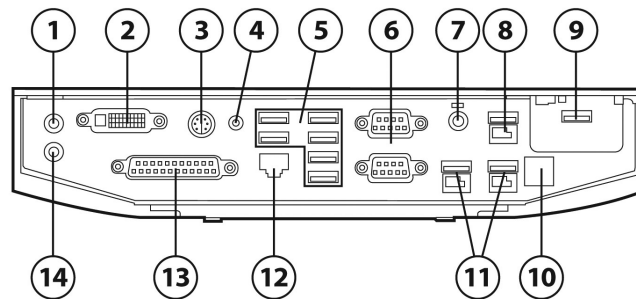
### Standard and Configurable Components

#### I/O PORTS - CONNECTIVITY

- 6 USB 2.0
- 2 USB+PWR 12V (1 available if HP RP7 2-line (2x20) VFD Customer Display is installed)
- 1 USB+PWR 24V (Printer)
- 1 USB in lockable compartment (Security screw provided and housed in I/O cover. Requires a T-15 tamper-resistant torx security screwdriver)
- 1 RJ-12 Cash Drawer (supports dual drawers via optional splitter cable)
- 2 RS-232 Powered configurable (+5V/+12V, F-10 Setup Configurable)
- 1 Parallel
- 1 PS/2 (supports keyboard or mouse, both through a splitter)
- 1 DVI-I for Secondary Display (not available if HP RP7 10.4-inch CFD is installed)
- 1 RJ-45 10/100/1000 LAN
- 1 Audio line-in
- 1 Audio line-out (not available if HP RP7 10.4-inch CFD (Customer Facing Display) is installed and audio is connected)
- 1 DC-in (for power supply)
- 1 DC-out (for HP RP7 10.4-inch CFD only)
- 4 connectors for select HP integrated peripherals

#### HP RP7 Retail System, Model 7800

#### I/O PANEL



- |   |   |
|---|---|
| 1. 1 Audio line-in  | 8. 1 USB+PWR 24V  |
| 2. 1 DVI-I for Secondary Display (not available if HP RP7 10.4-inch CFD is installed) | 9. 1 USB in lockable compartment (Security screw provided and housed in I/O cover. Requires a T-15 tamper-resistant torx security screwdriver.) |
| 3. 1 PS/2 (supports keyboard or mouse, both through a splitter)                       | 10. 1 RJ-12 Cash Drawer (supports dual drawers via optional splitter cable)   |
| 4. 1 DC-out (for HP RP7 10.4-inch CFD only)   | 11. 2 USB+PWR 12V (1 available if HP RP7 VFD Customer Display is installed)   |
| 5. 6 USB 2.0  | 12. 1 RJ-45 10/100/1000 LAN   |
| 6. 2 RS-232 Powered (+5V/+12V, F-10 Setup Configurable)                               | 13. 1 Parallel  |
| 7. 1 DC-in (for power supply)   | 14. 1 Audio line-out (not available if HP RP7 10.4-inch CFD is installed and audio is connected)  |

### Standard and Configurable Components

#### STORAGE

**Size**

2.5"

**Drive Bays**

2 (See below for RAID capabilities)

**OPTIONS:****SATA Hard Drives**

500GB 7200 RPM SATA ,3.0 Gb/s 2.5"

320 GB 7200 RPM SATA 3.0 Gb/s, 2.5"

**Solid State Drives**

32 GB SSD, 2.5" (RAID not supported)

64 GB SSD, 2.5" (RAID not supported)

128 GB SSD, 2.5"

256 GB SSD, 2.5"

---

#### REDUNDANT ARRAY OF INDEPENDENT DRIVES (RAID)

Flexible implementation:

- DriveLock is supported while in RAID mode. Users can manage the DriveLock password from within F10 Setup. Locked drives will be displayed as such in the RAID option ROM interface.
- Hard drive information can be viewed within F10 Setup while in RAID mode. Previously, the hard drives will not appear in Drive Configuration when switching to RAID mode.
- DPS Self Test can be executed on physical hard drives while in RAID mode.
- The RAID Setup Utility (accessed through CTRL-I) can be protected by the F10 Setup password.

**NOTE:** RAID 1 is the only RAID configuration offered via factory configurations. RAID is not supported on the 32GB SSD or the 64GB SSD. The pre-configured systems:

- Are complete RAID systems and have both drives installed.
- Have the necessary Option ROM configuration.
- Are pre-loaded and pre-installed with all required Intel software.
- Include a preinstalled operating system that is mirrored mode out of the box.

Please refer to the HP White Paper titled "Advanced Host Controller Interface (AHCI) and Redundant Array of Independent Disks (RAID) on HP Compaq PCs" at: <http://www.hp.com> for more information and instructions.

### Standard and Configurable Components

#### MEMORY

**Type**

Non-ECC, DDR3 SDRAM, 1333 MHz, SODIMM

**(NOTE: 1600 MHz memory may ship on rp7 but the memory will not run at 1600MHz. It will clock down to 1333MHz)**

**Maximum**

16 GB

**# of Slots**

2

**NOTE:** Full availability of 4 GB or more of memory requires a 64-bit operating system. With Windows 32-bit operating systems, the amount of usable memory is dependent upon your configuration, so that above 3 GB all memory may not be available due to system resource requirements.

#### MEMORY UPGRADES

Memory upgrades are accomplished by adding single or multiple DIMMs of the same or varied sizes. This chart does not represent all possible memory configurations. The HP RP7 Retail System supports non-ECC DDR3 PC3-10600 (1333 MHz) and PC3-8500 (1066 MHz) memory.

**CAUTION:** You must shut down the Retail System and disconnect the power cord before adding or removing memory modules. Regardless of the power-on state, voltage is always supplied to the memory modules as long as the Retail System is plugged in to an active AC outlet. Adding or removing memory modules while voltage is present may cause irreparable damage to the memory modules or system board.

#### MEMORY CONFIGURATIONS

Slot	1	2
1 GB	1 GB	
2 GB	1 GB	1 GB
4 GB	2 GB	2 GB
8 GB	4 GB	4 GB
16 GB	8 GB	8 GB

#### SOFTWARE

**HP Client Management Solutions** (available for free download from [hp.com/go/easydeploy](http://hp.com/go/easydeploy))

HP SoftPaq Download Manager

HP Client Catalog for Microsoft SMS

HP Systems Software Manager

HP Client Automation Starter



### Standard and Configurable Components

#### NETWORK CONNECTIVITY

Integrated Intel® 82579LM Gigabit Ethernet Network Connection

Optional Wireless LAN: Intel 6205 802.11 a//b/g/n 6205 Mini PCIe NIC, Intel 7260 802.11 a/b/g/n PCIe x1 NIC

**NOTE:** Intel 6205 802.11 a//b/g/n 6205 Mini PCIe NIC is only available for POSReady 2009 and FreeDOS (Not allowed in Indonesia); Intel 7260 802.11 a/b/g/n PCIe x1 NIC is not allowed with POSReady2009 or FreeDOS (Not allowed in Indonesia)

##### Intel® 82579LM GbE Network Connection (integrated)

<b>Connector</b>	RJ-45
<b>Controller</b>	Intel 82579LM gigabit platform LAN connect networking controller
<b>Memory</b>	24 KB FIFO packet buffer memory
<b>Data rates supported</b>	10/100/1000 Mbps
<b>Compliance</b>	IEEE 802.1P, 802.1Q, 802.2, 802.3, 802.3 ab and 802.3u compliant, 802.3az
<b>Bus architecture</b>	PCIe and SMBus
<b>Data transfer mode</b>	PCIe-based interface for active state operation (S0 state) and SMBus for host and management traffic (Sx low power state)
<b>Data rates supported</b>	10/100/1000 Mbps
<b>ACBS</b>	Intel Auto Connect Battery Saving feature
<b>Power Saving Features</b>	Auto Connect Battery Saver (ACBS) Automatic Link Downshift Low Power Link Up (LPLU)
<b>Boot ROM support</b>	Yes
<b>Network transfer mode</b>	Full-duplex Half-duplex (not supported for the 1000BASE-T transceiver)
<b>Network transfer rate</b>	10BASE-T (half-duplex) 10 Mbps 10BASE-T (full-duplex) 20 Mbps 100BASE-TX (half-duplex) 100 Mbps 100BASE-TX (full-duplex) 200 Mbps 1000BASE-T (full-duplex) 2000 Mbps
<b>Management Alerting</b>	WOL, auto MDI crossover, PXE, Multi-port teaming, RSS, Advanced cable diagnostic. ASF 2.0 support, AMT 6.0 support

### Standard and Configurable Components

#### AUDIO/MULTIMEDIA

Rear-line input (supports microphone or line input), lineout  
All ports are 3.5mm in diameter

High Definition Audio with Realtek ALC221 codec (all ports are stereo)

SRS Premium Sound audio management technology

Multi-streaming capable\*

Dual Internal Speakers (standard)

\* Audio input ports are re-taskable as a Line-in or Microphone-in port. External speakers must be powered externally. Multi-streaming can be enabled in the Realtek control panel to allow independent audio streams to be sent to/from the front and rear jacks. This allows for different audio applications to use separate audio ports on the system. For example, the front jacks could be used with a headset for a communications application while the rear jacks are being used with external speakers and a multimedia application.

#### POWER

<b>Power Supply</b>	180W External power supply, 87% Efficiency, Active PFC *This power supply meets ENERGY STAR compliance in conjunction with a select range of processors and modules.
<b>Operating Voltage Range</b>	90 to 264 VAC
<b>Rated Voltage Range</b>	100 to 240VAC
<b>Rated Line Frequency</b>	50/60 Hz
<b>Operating Line Frequency Range</b>	47 - 63 Hz
<b>Rated Input Current</b>	<2.9A AVG Efficiency 87% (calculated by testing at 20/50/75/100% load)
<b>Power Supply Fan</b>	None
<b>ENERGY STAR® Compliant</b>	ENERGY STAR® 5.0 compliant
<b>Power Cord Length</b>	6.0ft (1.83m)
<b>Current Leakage (NFPA99)</b>	< 275 µA

#### WEIGHTS & DIMENSIONS

**NOTE:** Weight and dimensions below do not include MSR, Biometric Reader, Webcam, VFD, or CFD.

<b>Weight</b>	<b>With stand – 15" Display Option</b> 12.31 kg/27.37 lbs
	<b>With stand– 17" Display Option</b> 13.03 kg/28.96 lbs
	<b>Without stand – 15" Display Option</b> 6.25 kg/13.78 lbs
	<b>Without stand – 17" Display Option</b> 7 kg/15.43 lbs

### Standard and Configurable Components

#### Dimensions (W x D x H)

##### With stand – 15" Display Option

36.6 x 42.4 x 33.58 cm  
14.41 x 16.7 x 13.22 in

##### With stand – 17" Display Option

38.6 x 43.07 x 34.72 cm  
15.19 x 16.95 x 13.67 in

##### Without stand – 15" Display Option

36.6 x 8.94 x 31.3 cm  
14.41 x 3.52 x 14.41 in

##### Without stand – 17" Display Option

57.9 x 26.9 x 48 cm  
22.80 x 10.59 x 18.86 in

#### Box Dimensions

##### With Stand

55.09 x 49.9 x 52.3 cm  
21.69 x 19.65 x 20.59 in

##### Without Stand

54.2 x 48.5 x 16.9 cm  
21.34 x 19.09 x 6.65 in

#### Shipping Weight

##### With Stand – 15"

Min weight 16.71 kg  
Max weight 19.17 kg

##### With Stand–17"

Min weight 17.25 kg  
Max weight 19.72 kg

##### Without Stand – 15"

Min weight 8.32 kg  
Max weight 8.59 kg

##### Without Stand – 17"

Min weight 9.15 kg  
Max weight 9.15 kg

(For shipping weigh the minimum weight with no peripherals and 1 HDD, Maximum weight with CFD, webcam, Biometric reader, MSR reader, and 2 HDD's)

### Standard and Configurable Components

#### TEMPERATURE, HUMIDITY, ALTITUDE

<b>Temperature</b>	Operating	50° to 104° F (10 to 40° C)
	Non-operating	-22° to 149° F (-30° to 65° C)
<b>Relative humidity</b>	Operating	20 to 85%
<b>Altitude</b> (unpressurized)	Operating	0 to 10,000 ft (3,048 m)
	Non-operating	0 to 30,000 ft (9,144 m)

#### ENVIRONMENTAL & INDUSTRY

##### Eco-Label Certifications & Declarations

This product has received or is in the process of being certified to the following approvals and may be labeled with one or more of these marks:

- IT ECO declaration
- US ENERGY STAR®
- EPEAT Gold registered in the United States. See <http://www.epeat.net> for registration status in your country.

<b>Energy Consumption</b>	<b>115 VAC</b>	<b>230 VAC</b>	<b>100 VAC</b>
Normal Operation	28.95W	28.03W	29.01W
Sleep (Energy Star low power mode)	3.24W	3.16W	3.25W
Off	1.29W	1.36W	1.30W

**NOTE:** Energy efficiency data listed is for an ENERGY STAR® compliant product if offered within the model family. HP computers marked with the ENERGY STAR® Logo are compliant with the applicable U.S. Environmental Protection Agency (EPA) ENERGY STAR® specifications for computers. If a model family does not offer ENERGY STAR® compliant configurations, then energy efficiency data listed is for a typically configured model.

<b>Heat Dissipation</b>	<b>115 VAC</b>	<b>230 VAC</b>	<b>100 VAC</b>
Normal Operation	99 BTU/hr	96 BTU/hr	99 BTU/hr
Sleep (Energy Star low power mode)	11 BTU/hr	11 BTU/hr	11 BTU/hr
Off	4 BTU/hr	4 BTU/hr	4 BTU/hr

**\*NOTE:** Heat dissipation is calculated based on the measured watts, assuming the service level is attained for one hour.

##### Declared Noise Emissions

(in accordance with  
ISO 7779 and ISO 9296)

(Typically configured)

	<b>Sound Power (LWAd, bels)</b>	<b>Sound Pressure (LpAm, decibels)</b>
<b>Idle</b>	3.3	22
<b>Fixed Disk (random writes)</b>	3.3	22

##### Batteries

This battery(s) in this product comply with EU Directive 2006/66/EC  
Batteries used in the product do not contain:

- Mercury greater than 5ppm by weight

### Standard and Configurable Components

- Cadmium greater than 10ppm by weight

Battery size: CR2032 (coin cell)

Battery type: Lithium

#### Additional formation

This product is in compliance with the Restrictions of Hazardous Substances (RoHS) directive - 2002/95/EC.

This HP product is designed to comply with the Waste Electrical and Electronic Equipment (WEEE) Directive - 2002/96/EC.

This product is in compliance with California Proposition 65 (State of California; Safe Drinking Water and Toxic Enforcement Act of 1986).

This product is in compliance with the IEEE 1680 (EPEAT) standard at the Gold level, see [www.epeat.net](http://www.epeat.net)

Plastics parts weighing over 25 grams used in the product are marked per ISO 11469 and ISO1043.

This product contains 26% post consumer recycled plastic (by wt.)

This product is 96.2% recyclable when properly disposed of at end of life.

#### Packaging Materials

External:

PAPER/Corrugated - 2 g

Internal:

PLASTIC/Polyethylene high density - 42.2 g

PLASTIC/EPE-Expanded Polyethylene - 1745 g

The PAPER/corrugated packaging material is made from 24% recycled content.

The PLASTIC/Polyethylene high density packaging material is made from 1.8% recycled content.

The PLASTIC/EPE-Expanded Polyethylene packaging material is made from 1.8% recycled content.

#### RoHS Compliance

Hewlett-Packard is committed to compliance with all applicable environmental laws and regulations, including the European Union Restriction of Hazardous Substances (RoHS) Directive. HP's goal is to exceed compliance obligations by meeting the requirements of the RoHS Directive on a worldwide basis. By July 1, 2006, RoHS substances will be virtually eliminated (virtually = to levels below legal limits) for all HP electronic products subject to the RoHS Directive, except where it is widely recognized that there is no technically feasible alternative (as indicated by an exemption under the EU RoHS Directive).

#### Material Usage

This product does not contain any of the following substances in excess of regulatory limits (refer to the HP General Specification for the Environment at:

[http://www.hp.com/hpinfo/globalcitizenship/environment/supplychain/gen\\_specifications.html](http://www.hp.com/hpinfo/globalcitizenship/environment/supplychain/gen_specifications.html)):

Asbestos

Certain Azo Colorants

Certain Brominated Flame Retardants - may not be used as flame retardants in plastics

Cadmium

Chlorinated Hydrocarbons

Chlorinated Paraffins

Formaldehyde

Halogenated Diphenyl Methanes

Lead carbonates and sulfates

Lead and Lead compounds

Mercuric Oxide Batteries

### Standard and Configurable Components

	<p>Ozone Depleting Substances Polybrominated Biphenyls (PBBs) Polybrominated Biphenyl Ethers (PBBEs) Polybrominated Biphenyl Oxides (PBBOs) Polychlorinated Biphenyl (PCB) Polychlorinated Terphenyls (PCT) Polyvinyl Chloride (PVC) - except for wires and cables, and certain retail packaging has been voluntarily removed from most applications. Radioactive Substances Tributyl Tin (TBT), Triphenyl Tin (TPT), Tributyl Tin Oxide (TBTO)</p>
<b>Packaging</b>	<p>HP follows these guidelines to decrease the environmental impact of product packaging: Eliminate the use of heavy metals such as lead, chromium, mercury and cadmium in packaging materials. Eliminate the use of ozone-depleting substances (ODS) in packaging materials. Design packaging materials for ease of disassembly. Maximize the use of post-consumer recycled content materials in packaging materials. Use readily recyclable packaging materials such as paper and corrugated materials. Reduce size and weight of packages to improve transportation fuel efficiency. Plastic packaging materials are marked according to ISO 11469 and DIN 6120 standards.</p>
<b>End-of-life Management and Recycling</b>	<p>Hewlett-Packard offers end-of-life HP product return and recycling programs in many geographic areas. To recycle your product, please go to: <a href="http://www.hp.com/go/reuse-recycle">http://www.hp.com/go/reuse-recycle</a> or contact your nearest HP sales office. Products returned to HP will be recycled, recovered or disposed of in a responsible manner.</p> <p>The EU WEEE directive (2002/95/EC) requires manufacturers to provide treatment information for each product type for use by treatment facilities. This information (product disassembly instructions) is posted on the Hewlett Packard web site at: <a href="http://www.hp.com/go/recyclers">http://www.hp.com/go/recyclers</a>. These instructions may be used by recyclers and other WEEE treatment facilities as well as HP OEM customers who integrate and re-sell HP equipment.</p>
<b>Hewlett-Packard Corporate Environmental Information</b>	<p>For more information about HP's commitment to the environment: Global Citizenship Report <a href="http://www.hp.com/hpinfo/globalcitizenship/gcreport/index.html">http://www.hp.com/hpinfo/globalcitizenship/gcreport/index.html</a> Eco-label certifications <a href="http://www.hp.com/hpinfo/globalcitizenship/environment/productdesign/ecolabels.html">http://www.hp.com/hpinfo/globalcitizenship/environment/productdesign/ecolabels.html</a> ISO 14001 certificates: <a href="http://www.hp.com/hpinfo/globalcitizenship/environment/operations/envmanagement.html">http://www.hp.com/hpinfo/globalcitizenship/environment/operations/envmanagement.html</a></p>

### Standard and Configurable Components

#### SERVICE AND SUPPORT

On-site Warranty<sup>Note 1</sup>: Limited warranty delivers on-site, next business-day<sup>Note 2</sup> service for parts and labor and includes free telephone support<sup>Note 3</sup> 24 x 7. The warranty terms vary by region and onsite and labor are not available in all countries. Depending on region and warranty terms, extended service offers terms up to 3 years by choosing a Carepack. To choose the right level of extended service for your HP product, visit HP Care Pack Central: [www.hp.com/go/cpc](http://www.hp.com/go/cpc)

**NOTE 1:** Terms and conditions may vary by country. Certain restrictions and exclusions apply. Other warranty variations may be offered in your region.

**NOTE 2:** On-site service may be provided pursuant to a service contract between HP and an authorized HP third-party provider, and is not available in certain countries. Global service response times are based on commercially reasonable best effort and may vary by country.

**NOTE 3:** Technical telephone support applies only to HP-configured Compaq and third-party HP-qualified hardware and software. Toll-free calling and 24 x 7 support may not be available in some countries.

### Options and Accessories (sold separately)

#### OPTIONS AND ACCESSORIES (sold separately)

##### **Input Devices**

	<b>Part Number</b>
HP RP7 VFD Customer Display	QZ701AA
HP RP7 10.4 inch CFD Display	QZ702AA
HP Retail Integrated Dual-Head MSR	QZ673AA
HP Retail Integrated Fingerprint Reader	QZ672AA
HP Retail Integrated Webcam	QZ700AA
HP Retail Integrated Barcode Scanner	E1L07AA
HP POS Keyboard with MSR	FK218AA
HP PS/2 Standard Keyboard	DT527A#ABA
HP USB Standard Keyboard	DT528A#
HP USB Mini Keyboard	AS601AA
HP USB Washable Keyboard	BM866AA
HP USB and PS/2 Washable Keyboard and Mouse Kit	BU207AA#ABA
HP PS/2 Optical Mouse	EY703AA
HP USB Optical Mouse	DC172B
HP USB Laser Mouse	GW405AT

##### **Security**

HP/Kensington MicroSaver Cable Lock	PC766A
HP Business PC Security Lock	PV606AA
HP Keyed Lock Cable	BV411AA

##### **Barcode Scanners**

HP Imaging Barcode Scanner	BQ868AA
HP Linear Barcode Scanner	QY405AA
HP Presentation Barcode Scanner	QY439AA
HP Retail Integrated Barcode Scanner	E1L07AA

##### **Cash drawers**

HP Heavy Duty Cash Drawer	FK182AA
HP Standard Duty Cash Drawer	QT457AA
HP Standard Duty Till with Locking Cover	QT458AA
HP Cable Pack for Dual Cash Drawers	QT538AA

##### **Printers**

HP Powered USB Thermal Receipt Printer	FK224AA
HP Serial/USB Thermal Receipt Printer	BM476AA
HP Hybrid Printer with MICR	FK184AA



### Options and Accessories (sold separately)

HP USB Y Cable (for Serial USB/Receipt Printer)	BM477AA
<b>System Memory</b>	
2GB DDR3-1600 SODIMM	B4U38AA
4GB DDR3-1600 SODIMM	B4U39AA
8GB DDR3-1600 SODIMM	B4U40AA
<b>Storage</b>	
128GB SATA 2.5 SSD	QV063AA
320 GB 7200 SATA 2.5 HDD	D1S10AA
<b>MSR</b>	
HP Mini-MSR	FK186AA
<b>Displays</b>	
HP Retail Integrated 7-inch CFD	F7A92AA
HP LCD Pole Display	F7A93AA
HP POS Pole Display	FK225AA
HP Graphical POS Pole Display	QZ704AA
<b>Stands</b>	
HP RP7 Adjustable Stand	B0T02AV/ QZ703AA
HP RP7 Value Stand	E3A13AV/ E5E14AA

Copyright © 2014 Hewlett-Packard Development Company, L.P

All rights reserved. Microsoft, Windows, and Vista are trademarks of the Microsoft group of companies. Intel, Core, Celeron, and Pentium are registered trademarks or trademarks of Intel Corporation in the U.S. and/or other countries. ENERGY STAR is a registered mark owned by the U.S. government. All other product names mentioned herein may be trademarks of their respective companies.

The information contained herein is subject to change without notice and is provided "as is" without warranty of any kind. The warranties for HP products are set forth in the express limited warranty statements accompanying such products. Nothing herein should be construed as constituting an additional warranty. HP shall not be liable for technical or editorial errors or omissions contained herein.