

V50TYLA-B
V50TYLA-W
V50TYLB-D
V50TYLA-WM
**Freestanding
Electric Fireplace**

Installation Instructions and Homeowner's Manual

WARNING! IF THE INFORMATION IN THIS MANUAL IS NOT FOLLOWED EXACTLY, A FIRE MAY RESULT CAUSING PROPERTY DAMAGE, PERSONAL INJURY OR LOSS OF LIFE.

FOR YOUR SAFETY

**DO NOT STORE
OR USE GASOLINE OR OTHER
FLAMMABLE VAPORS OR LIQUIDS
IN THE VICINITY OF THIS OR ANY
OTHER APPLIANCE**

INSTALLER: DO NOT DISCARD THIS MANUAL-LEAVE FOR HOME OWNER

TABLE OF CONTENTS

PLEASE READ THE INSTALLATION & OPERATION INSTRUCTIONS BEFORE
USING THIS APPLIANCE

IMPORTANT: Read all instructions and warnings carefully before starting installation. Failure to follow these instructions may result in a possible electric shock, fire hazard and will void the warranty.

Important instructions	2
General.....	2
Locating Your Electric Fireplace.....	2
Clearance To Combustibles.....	3
Electrical Connections.....	3
Electrical Specifications.....	3
Service Instructions	3
Replacing Light Bulbs.....	3
Glass Information.....	4
Maintenance of Motors.....	4
Electrical Wiring Diagram.....	4
Operating Instructions	5
On/Off Switch.....	5
Heater Control.....	5
Instructions for power.....	5
Specifications.....	6
Replacement Parts List (V50TYLA-B – W or WM)	7
Replacement Parts Pictures.....	7、 8
Replacement Parts List (V50TYLB-D)	9
Replacement Parts Pictures.....	9、 10
Installing The Legs	11

IMPORTANT INSTRUCTIONS

GENERAL

1. Read all instructions before using this appliance.
2. This appliance is hot when in use. To avoid burns, do not let bare skin touch hot surfaces. Keep combustible materials, such as furniture, pillows, bedding, papers, clothes, and curtains at least 3 feet(1m.) from the front of this appliance.
3. **CAUTION: Extreme caution is necessary when any heater is used by or near children or invalids and whenever the heater is left Operating and unattended.**
4. **Always unplug heater when not in use.**
5. **Do not operate any heater with a damaged cord or plug or after the heater malfunctions, has been dropped or damaged in any manner.**
6. Any repairs to this appliance should be carried out by a qualified service person.
7. Under no circumstances should this electric fireplace be modified. Parts having to be removed for servicing must be replaced prior to operating this electric fireplace again.
8. Do not use outdoors.
9. This heater is not intended for use in bathrooms, laundry areas or similar indoor locations. Never use this appliance near a bathtub or other water container.
10. Do not run cord under carpeting. Do not cover cord with throw rugs, runners or the like. Arrange cord away from traffic areas and where it will not be tripped over.
11. To disconnect this appliance, turn controls to the off position and remove plug from outlet.
12. Connect to properly grounded outlets only.
13. Do not insert or allow foreign objects to enter any ventilation or exhaust opening as this may cause electric shock, fire or damage to the appliance.
14. To prevent fire, do not block air intakes or exhaust in any manner. Do not use on soft surfaces, such as a bed, where openings may become blocked.
15. This appliance has hot and arcing or sparking parts inside. Do not use it in areas where gasoline, paint, or flammable liquids are used or stored. This electric fireplace should not be used as a drying rack for clothing. Also, do not have Christmas stockings or decorations hung on or near it.
16. Use this appliance only as described in this manual. All other uses not recommended by the manufacturer may cause fire, electric shock, or injury.
17. Avoid the use of an extension cord because it may overheat and cause a fire hazard. However if you must use an extension cord, the cord shall be 1.0mm², 1900 Watts. The extension cord must be a three wire cord with grounding type plug and cord connector.

18. SAVE THESE INSTRUCTIONS.

LOCATING YOUR ELECTRIC FIREPLACE

Your new freestanding electric fireplace may be installed virtually anywhere in your home. However when choosing a location for your new electric fireplace, ensure that the general instructions are followed. For best effect results, install the electric fireplace out of direct sunlight.

CLEARANCE TO COMBUSTIBLES

Back.....	50.8mm
Sides.....	156.4mm
Floor.....	0mm
Top.....	.610mm

ELECTRICAL CONNECTION

A 10 AMP, 220 Volt, 50Hz circuit with a properly grounded outlet is required. Preferably, the stove will be on a dedicated circuit. Other appliances on the same circuit may cause the circuit breaker to trip or the fuse to blow when the heater is on operation. The unit comes standard with a 6' (1828mm) long three wire cord exiting from the rear of the fireplace. Plan the installation to avoid the use of an extension cord. If an extension cord must be used, it must be a minimum 1.0 mm² three wire with grounding type plug connector and rated no less than 1900 Watts.



WARNING: Electrical outlet wiring must comply with local building codes and all other applicable regulations to reduce the risk of fire, electrical shock and injury.



WARNIGN: Do not use this fireplace if any part of it has been under water. Immediately call a qualified service technician to inspect the fireplace and replace any part of the electrical system if necessary.

ELECTRICAL SPECIFICATIONS

Voltage.....	220 VAC/50Hz
Total Amps.....	6.5 Amps
Total Watts.....	1350 Watts
Heater Ratings.....	1200 Watts

SERVICE INSTRUCTIONS



WARNING: Disconnect power before attempting any maintenance or cleaning to reduce the risk of fire, electrical shock or personal injury

REPLACING LIGHT BULBS

This fireplace uses two clear 220 Volt, 60 Watt, E-14 socket base light bulbs (small base, chandelier candle type). The 60 Watt bulbs are located under the log set/ember bed. For convenience, if one of the bulbs burns out, it may be a good idea to replace both of the light bulbs.

1. Turn off power to the unit by unplugging the power cord.
2. Let fireplace cool if it has been operating.
3. Remove the two fixing self-tapping screws on the screen. Pull the screen upward a little bit, and then out.
4. Remove the two screws that secure the log set in position.
5. Examine the bulbs to determine which bulbs need to be replaced.
6. While holding the socket, unscrew the defective bulb(s).

7. Install the new light bulb(s) by holding the socket and screwing them.
8. Reinstall the log set and screen. Follow the above procedure in reverse order.
9. The diameter of the pilot light bulb is 5mm. If the pilot light bulb need to be replaced, follow steps 1,2,3,4 above. Then use the pilot light bulb socket w/wiring assembly replace the primary pilot part, and connect wires according to primary connection . Then follow step 8 above.



WARNING: Do not exceed 60 Watts per bulb. Use of higher rated bulbs may result in a fire causing property damage and personal injury.

MAINTENANCE OF MOTORS

The motors used on the fan and flame generator assembly are prelubricated for extended bearing life and require no further lubrication. However, periodic cleaning/vacuuming of the fan/heater Unit is recommended.



WARNING: Make sure that the power is turned off before proceeding.

GLASS INFORMATION

1. Under no circumstances should this product be operated with missing or broken glass.
2. Do not strike or slam the glass.
3. Do not use abrasive cleaners to clean the glass.
4. Replacement glass is available from the manufacturer and replacement should be carried out by a qualified service person.

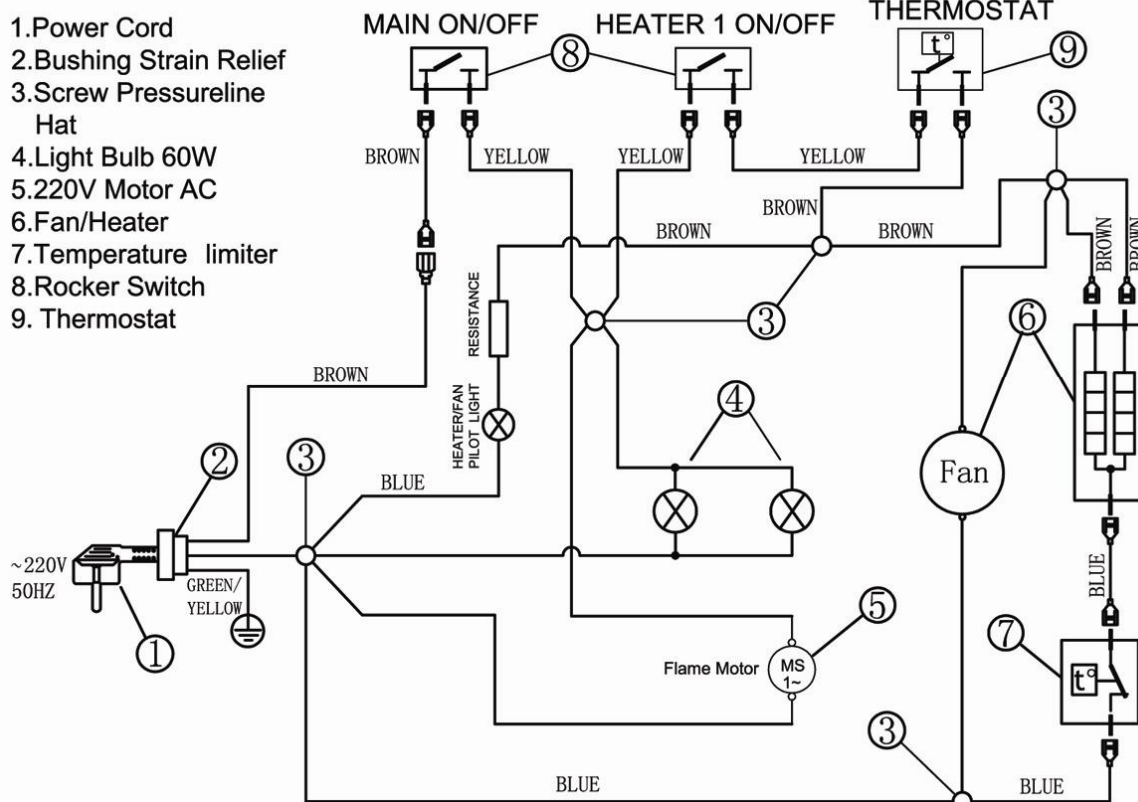
ELECTRICAL WIRING DIAGRAM

Any electrical repairs or rewiring of this unit should be carried out by a licensed electrician in accordance with national and local codes.



If repairing or replacing any electrical component or wiring, the original wire routing, color coding and securing location must be followed.

Electrical Wiring Diagram



Operating Instructions

This section provides easy step by step instructions for operating your fireplace.

1. Make sure the unit is unplugged from the power source.
2. Plug the fireplace into a 10AMP/220V outlet. If the cord does not reach, you may use an extension cord rated for a minimum of 1900 watts.

To access the controls, open the bottom of the fireplace at the front of the unit (see Figure A).

A. MAIN ON/OFF SWITCH

The on/off switch supplies power to all fireplace functions (heater/flame).

B. HEATER THERMOSTAT CONTROL

To adjust the temperature to your needs, turn the thermostat control completely clockwise to turn on the heater. When the room reaches the desired temperature, turn the thermostat knob counter clockwise until you hear a click. Leave it in this position to maintain the room temperature at this setting. For additional heat, turn clockwise until you hear the click again and the heater will turn on. To turn the heater off, switch the HEATER ON/OFF SWITCH to the OFF position.

C. HEATER ON/OFF SWITCH

The HEATER ON/OFF SWITCH supplies power to the heater fan and the heater element.

NOTE: When switched ON, the heater fan will operate. The heater element may or may not be on, depending on the thermostat control setting (see "HEATER THERMOSTAT CONTROL").

When the HEATER/FAN pilot light is lighting, it indicate that the heater is on.

Warning: During any service of this appliance, the power to the unit must be turned off. It is not acceptable to use the "ON/OFF" switch to meet this requirement. (Refer to operating instruction section)

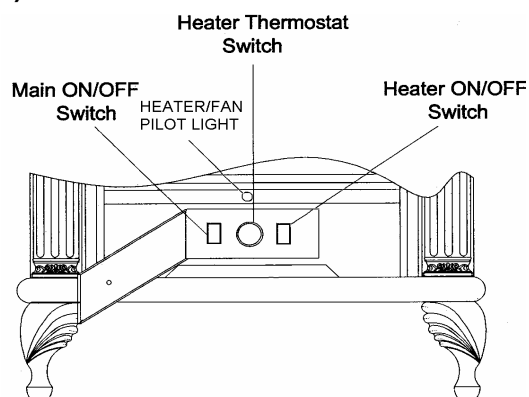


Figure A

D. INSTRUCTIONS FOR POWER

This heater is for use on 220 volts only. The green/yellow grounding lug extending from the adapter must be connected to a permanent ground such as a properly grounded outlet box. The adapter should not be used if a three-slot grounded receptacle is available.

SPECIFICATIONS:

Model: V50TYLA-W

Voltage: 220V/50HZ Total Amps: 6.5A

Total Watts: 1350W Heating Ratings: 1200W

Dimensions, CM (H x W X D)

Fireplace 97x67x35.9

Carton 94x74.5x38.9

Weight, Kgs

Fireplace 33.1

Shipping 40.4

Model: V50TYLA-B

Voltage: 220V/50HZ Total Amps: 6.5A

Total Watts: 1350W Heating Ratings: 1200W

Dimensions, CM (H x W X D)

Fireplace 97x67x35.9

Carton 94x74.5x38.9

Weight, Kgs

Fireplace 33.1

Shipping 40.4

Model: V50TYLB-D

Voltage: 220V/50HZ Total Amps: 6.5A

Total Watts: 1350W Heating Ratings: 1200W

Dimensions, CM (H x W X D)

Fireplace 85.2x58.7x34.4

Carton 93.7x66.4x42

Weight, kgs

Fireplace 33.1

Shipping 38.1

Model: V50TYLA-WM

Voltage: 220V/50HZ Total Amps: 6.5A

Total Watts: 1350W Heating Ratings: 1200W

Dimensions, CM (H x W X D)

Fireplace 97x67x35.9

Carton 94x74.5x38.9

Weight, kgs

Fireplace 33.1

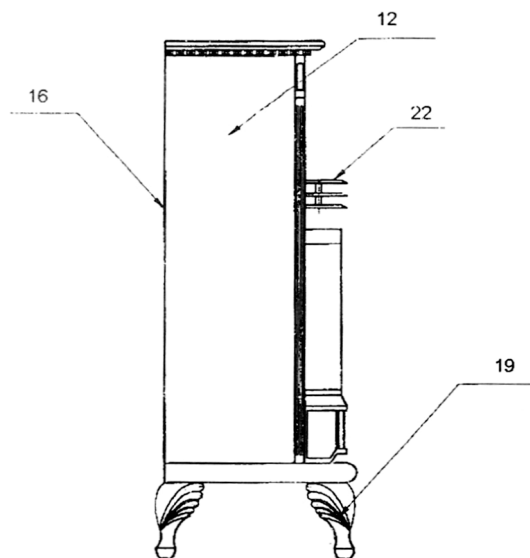
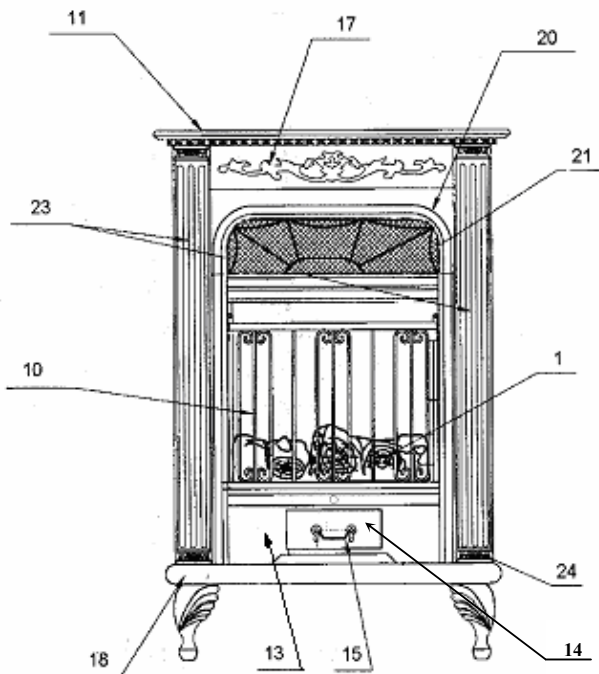
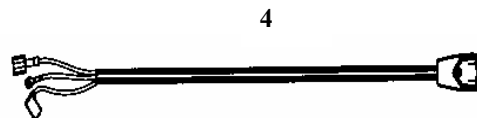
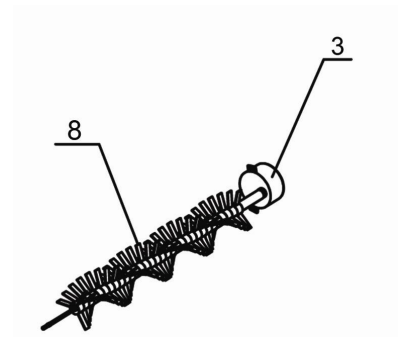
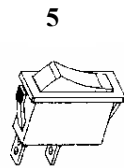
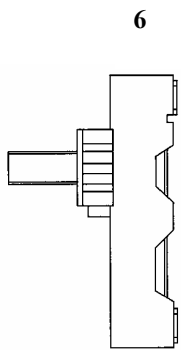
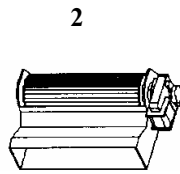
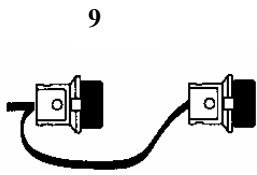
Shipping 40.4

Replacement Parts List

V50TYLA-B、 W、 WM

Item #	Part Description	Part Number
1	Log set	VL050-01A
2	Fan/Heater Assembly	NFHTX186-R/VB17-000-R
3	Synchronization Motor-220Volt AC w/Terminal	FE23A307
4	Cord Power H05VV-F3GX1.0 w/Terminals	NFHL008-R-A
5	ON/OFF Switch	VL067-01
6	Heater Control (Thermostat)	VL053-02
7	Heater Control Knob	NFHL012
8	Flame Generator Assembly	PT/32GS370/FE33A205-01
9	Light Bulb Socket w/Wiring Assembly	PE28A306-R
10	Screen	EB29600
11	Top Panel (B/W)/(WM)	EL040-01/EL040-06HV
12	Side Panel (B/W)/(WM)	V107R(L)/EL015-01
13	Lower Front Panel	EL012-06
14	Door	EL013-01
15	Brass Knob	224A
16	Back Panel	VL019-01-B
17	Middle Decorating Panel (B/W)/(WM)	EL016-01/EL016-01H
18	Base	VL024-01K-R
19	Leg	EL017-01A
20	Upper Decorating Frame	EL010-01A
21	Upper Decorating Wire	EL011-01
22	Upper (Mid) Louver	VL015-01(VL014-01)
23	Rome Column (B/W)/(WM)	EL021-01/VL108
24	Rome Column Decorating Assembly	EL021-06BH/030C
25	Switch Mount panel (not shown)	VL004-01F
26	Pilot Light Bulb Socket w/ Wiring Assembly	VL080-01

REPLACEMENT PARTS PICTURES OF V50TYLA-B、V50TYLA-W、WM

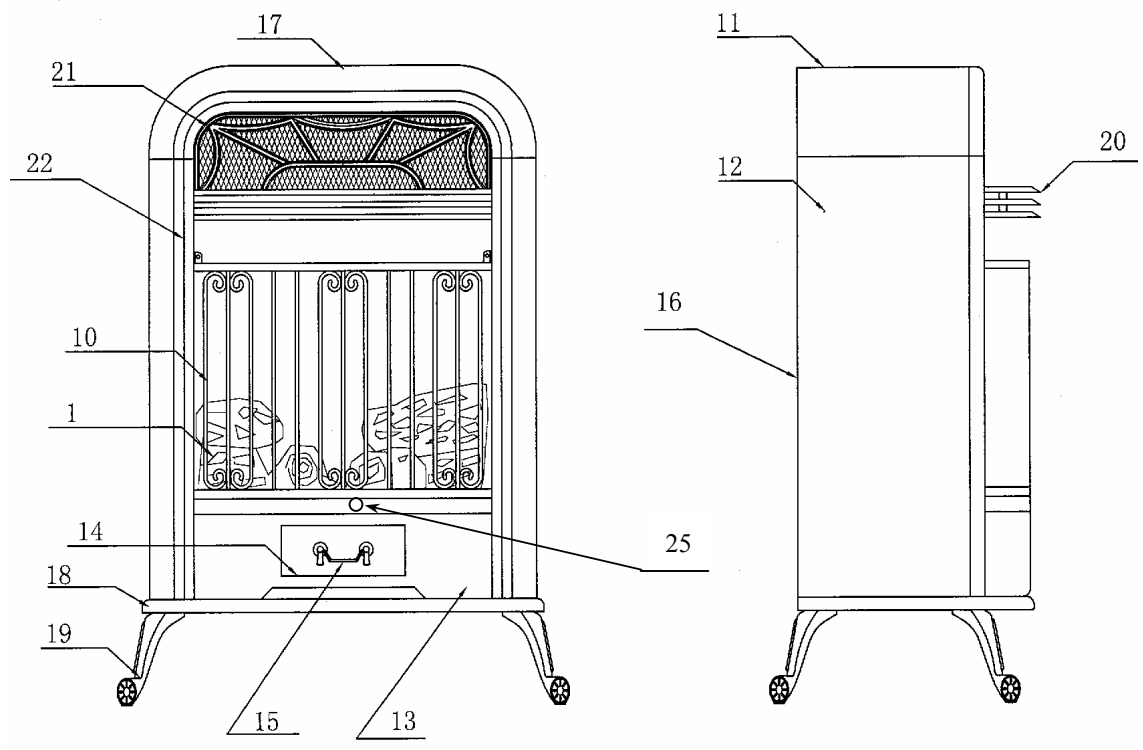
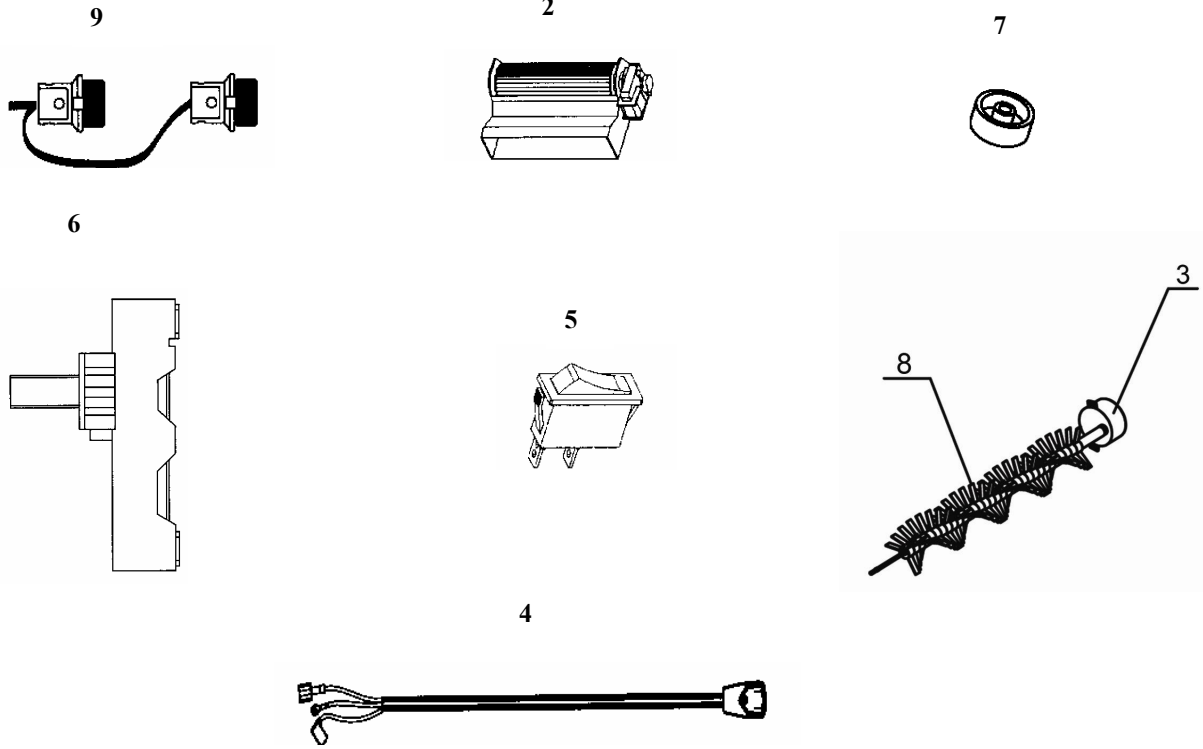


Replacement Parts List

V50TYLB-D

Item #	Part Description	Part Number
1	Log set	VL050-01A
2	Fan/Heater Assembly	NFHTX186-R/VB17-000-R
3	Synchronization Motor-220Volt AC w/Terminal	FE23A307
4	Cord Power H05VV-F3GX1.0 w/Terminals	NFHL008-R-A
5	ON/OFF Switch	VL067-01
6	Heater Control (Thermostat)	VL053-02
7	Heater Control Knob	NFHL012
8	Flame Generator Assembly	PT/32G370/FE33A205-01
9	Light Bulb Socket w/Wiring Assembly	PE28A306-R
10	Screen	EB29600
11	Top Panel	VL028-01
12	Side Panel (Left and Right)	VL029-01
13	Lower Front Panel	EL012-06
14	Door	EL013-01
15	Brass Knob	224A
16	Back Panel	VL030-01-R
17	Decorating Frame	VL026-02
18	Base	VL025-01K
19	Leg	VL023-01
20	Upper (Mid) Louver	VL015-01(VL014-01)
21	Upper Decorating Wire	EL011-01
22	Decorating Column	VL027-02
23	Switch Mount panel (not shown)	VL004-01F
24	Pilot Light Bulb Socket w/ Wiring Assembly	VL075-01

REPLACEMENT PARTS PICTURES OF V50TYLB-D



INSTALLING THE LEGS

- Lay the heater down on its back and install the legs with care on the bottom panel as shown in Figure B (Make sure the vein side is facing forward).



Figure B

1 YEAR WARRANTY

For PRO-COM Electric Fireplace Models

PRO-COM (Hereinafter referred to collectively as the “company”) warrants that your new fireplace is free from manufacturing and material defects for a period of one year from the date of installation, subject to the following conditions and limitations:

1. This new PRO-COM product must be installed by a competent, authorized service contractor. The installation must be in accordance with installation and operating instructions furnished with product. Any alteration, willful abuse, accident, or misuse of the product shall nullify this warranty.
2. This warranty is non-transferrable. It is made to the original owner provided that the purchase was made through an authorized supplier of the company.
3. This warranty is limited to the repair or replacement of part(s) found to be defective in material or workmanship, provided that such part(s) have been subjected to normal conditions of use and service. After that it is said to be defective, if confirmed by the Company's inspection.
4. **This warranty does not cover the light bulb(s) included with the PRO-COM.**
5. The Company may, at its discretion, fully discharge all obligations with respect to this warranty by refunding the wholesale price of the defective part(s).
6. Any installation, labor, construction, transportation, or any other related costs/expenses arising from the defective part(s), repair, replacement, or otherwise of same, will not be covered by this warranty. The Company will not be responsible for any incidental, indirect, or consequential damages, except as provided by law.
7. All other warranties, expressed or implied, with respect to this product, its components and accessories, or any obligations/liabilities on the part of the Company are hereby expressly excluded.
8. The Company neither assumes, nor authorizes, any third party to assume, on its behalf, any other liabilities with respect to the sale of this PRO-COM product.
9. The warranties, as outlined within this document, do not apply to non PRO-COM accessories used in conjunction with the installation of this product.
10. **This Warranty is Void if:**
 - a) The fireplace has been operated in atmospheres contaminated by chlorine, fluorine or other damaging chemicals.
 - b) The fireplace is subjected to prolonged periods of damp ness or condensation.
 - c) Any alteration, willful abuse, accident, or misuse of the product.

Glass...

Glass is not covered under warranty for breakage due to accidents or misuse

IF WARRANTY SERVICE IS NEEDED...

- 1) Contact your supplier. Make sure you have your warranty, your sales receipt, and the model/serial number of your PRO-COM product.
- 2) **DO NOT ATTEMPT TO PERFORM ANY SERVICE WORK YOURSELF.**

SHANGHAI, PRO-COM ELECTRIC APPLIANCE CO., LTD.

**#6 CHUANGYE ROAD, HIGH NEW TECHNOLOGY & DEVELOPMENT ZONE,
GREAT BRIDGE ROAD NORTH, SHANGHAI , 210061,CHINA.**

PRO-COM TOLL-FREE NUMBER: 1-877-886-5989