

kogan

**9,000 BTU Portable Air Conditioner
(2.7kW, Cooling Only)**

KAPORAIR09A

USER MANUAL



Table of Contents

Important Safeguards.....	2
Product Layout.....	3
Preparing for Use.....	4
Control Panel.....	5
Operating from the Control Panel.....	5
COOL Mode.....	6
DRY Mode.....	6
FAN Mode.....	6
SMART mode.....	7
Remote Control.....	7
Operating from the Remote Control.....	8
COOL mode	8
DRY mode.....	8
FAN mode.....	8
SMART mode.....	8
SLEEP function.....	9
SWING function.....	9
Setting the Timer.....	9
Programmed Shutdown.....	9
Programmed Start Up.....	9
Self-Diagnosis.....	10
Tips for Correct Use.....	10
Cleaning.....	11
Cleaning the Cabinet.....	11
Cleaning the Air Filters.....	11
Start/End of Season Operations.....	11
Start of season checks.....	11
End of season operations.....	11
Troubleshooting.....	12
Technical Specifications.....	12

Important Safeguards

Use this appliance only as described in the instruction manual. As with all electrical equipment, while instructions aim to cover as many eventualities as possible, caution and common sense should be applied when operating and installing this appliance.

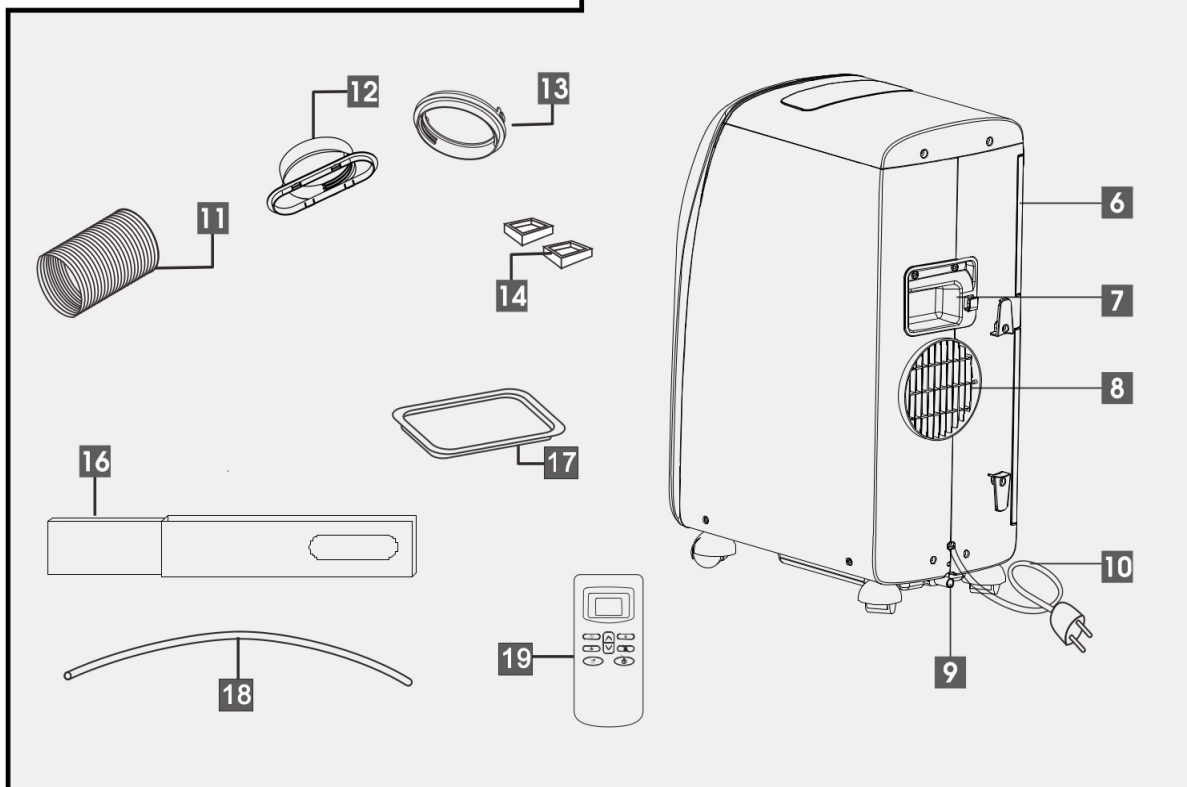
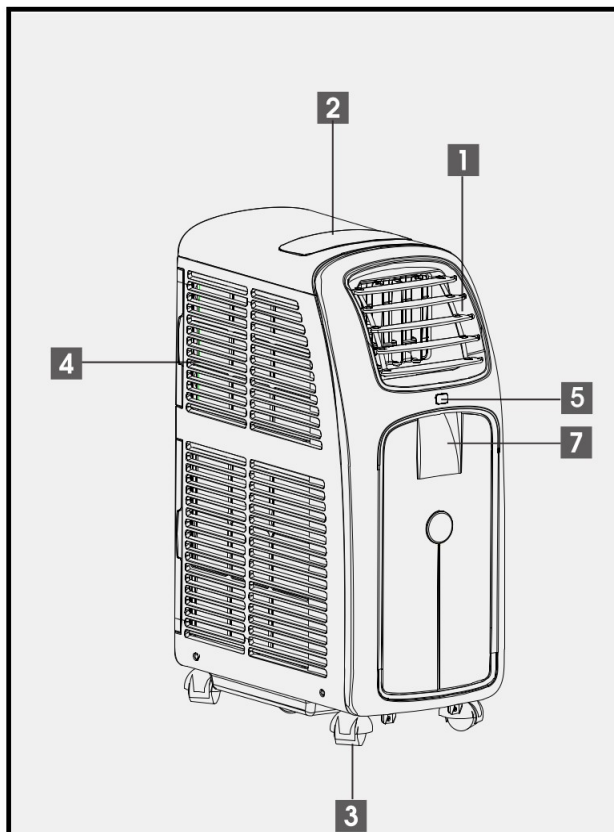
- This appliance is designed for home air conditioning and must not be used for other purposes.
- It is dangerous to modify or alter the characteristics of the air conditioner in any manner.
- The appliance must be installed in conformity with national legislation regulating electrical equipment and installations.
- If the air conditioner requires repair, contact the Kogan customer support team, as repairs carried out by unauthorised repair centres may be dangerous.
- Do not allow children to play with the air conditioner.
- Never allow the air conditioner to be used by people (including children) with psychological, physical or sensory impairments, or with insufficient knowledge and experience, unless they are closely supervised and instructed by someone responsible for their safety. Young children should be supervised to ensure that they do not play with the appliance.
- Do not use extension cords.
- Before cleaning or maintenance, always unplug the air conditioner from the mains power.
- Never unplug the appliance by pulling on the power cable. Hold the plug and pull.
- Do not install the air conditioner in rooms containing gas, oil or sulphur. Do not install near sources of heat.
- Do not rest heavy or hot items on top of the air conditioner.
- Clean the air filter at least once a week.
- Avoid using heating appliances near the air conditioner.
- Always transport the air conditioner upright or resting on one side. Before moving the air conditioner, empty the internal circuit of water completely. After moving the unit, wait for at least one hour before starting it.
- When putting the air conditioner into storage, do not cover it with plastic bags.
- The materials used for packaging can all be used for recycling.
- If the power cable is damaged, it must be replaced by a Kogan technician.
- At the end of its service life, do not dispose of the air conditioner with the regular household waste. It should be taken to an electrical disposal facility for correct disposal.

Product Layout

- 1 Air outlet grille
- 2 Control panel
- 3 Castors
- 4 Intake grille
- 5 Remote control receiver
- 6 Filter
- 7 Handles
- 8 Air exhaust hose housing
- 9 Condensate drain
- 10 Power cable
- 11 Air exhaust hose
- 12 Hose outlet
- 13 Hose inlet
- 14 Castor locks*

- 16 Window bracket
- 17 Drain pan*
- 18 Drain hose*
- 19 Remote control

“*” means the accessory is optional.



Preparing for Use

These instructions will enable you to prepare your air conditioner for operation as efficiently as possible. Before use, make sure the air intake and outlet grilles are unobstructed.

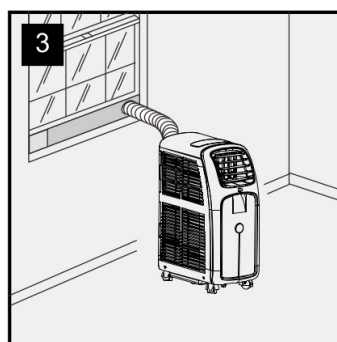
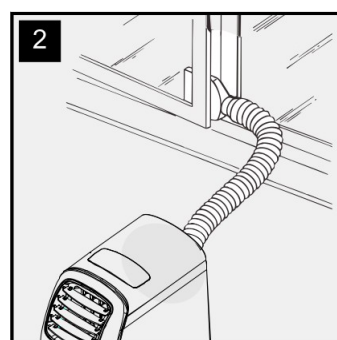
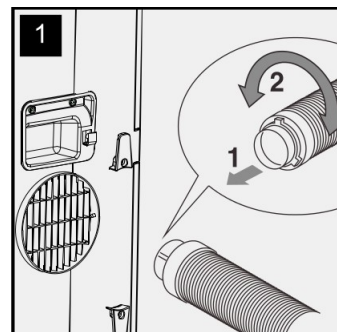
Air-Conditioning without installation

Just a few simple steps and your comfort is ensured:

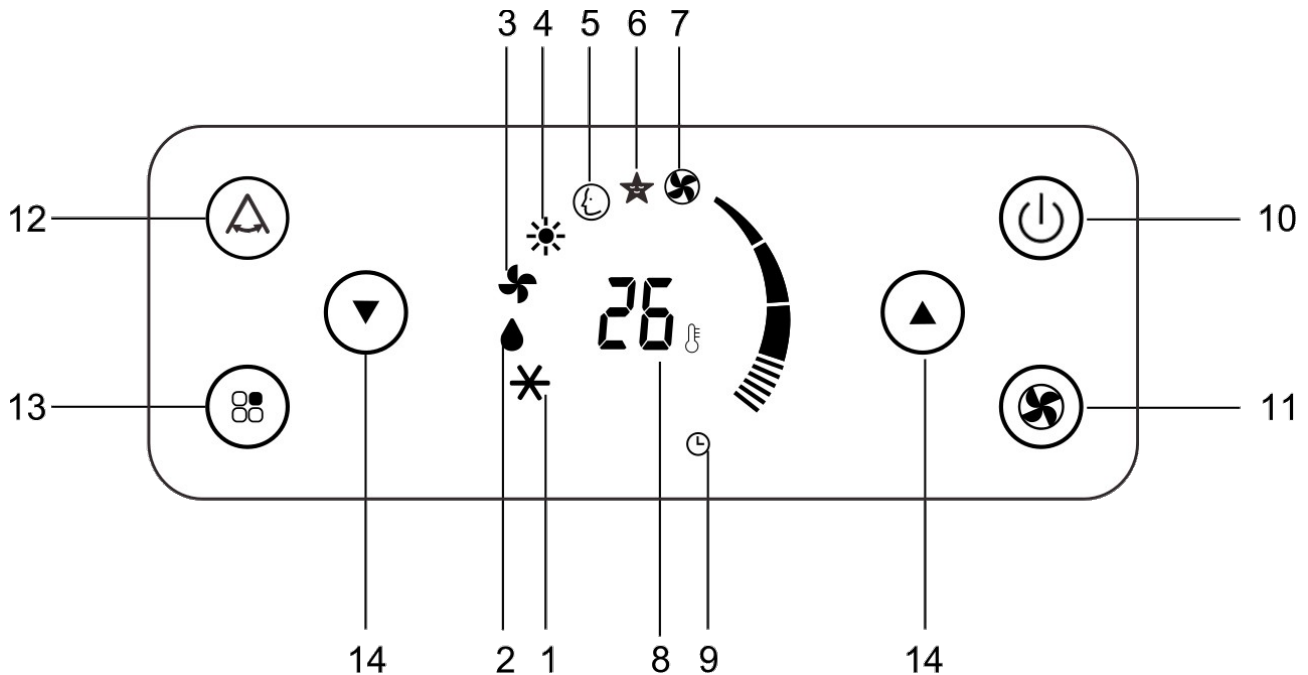
- Fit the air exhaust hose into the housing at the back of the unit. (Fig 1)
- Fit the window outlet to the end of the hose.
- Place the air-conditioner near a window or French window. Adjust the length of the hose so that it reaches the window.
- Make sure the air exhaust hose is unobstructed.
- Open the window or French window slightly and position the outlet. (Fig 2)
- If you have a sash window, place the bracket on the windowsill, then extend the bracket fully within the window frame and fix the bracket using the pin. Once done, lower the window onto the bracket. Insert the window outlet of the exhaust hose into the slot, then connect the hose to the air conditioner. (Fig 3)

Keep the air hose as short and free of curves as possible to avoid bottlenecks.

- ✓ When installing the air-conditioner semi-permanently, you should leave a door slightly open (as little as 1cm) to guarantee correct ventilation.



Control Panel



- | | |
|---------------------------------|---|
| 1. COOL symbol | 2. DRY symbol |
| 3. FAN symbol | 4. HEAT symbol (not available in this model) |
| 5. SMART symbol | 6. SLEEP symbol |
| 7. FAN speed indicator | 8. Temperature indicator |
| 9. TIMER symbol | 10. ON/OFF button |
| 11. FAN button | 12. SWING symbol |
| 13. MODE button (selects modes) | 14. Increase and decrease temperature buttons |

Operating from the Control Panel

The control panel enables you to manage all of the main functions of the appliance, but to make full use of all of the product potential, you must use the remote control.

Turning the appliance on

- Plug air-conditioner into the mains power. Two lines will appear on the display indicating that the air-conditioner is in standby mode.
- Press the power button until the appliance comes on. The last function active when it was last turned off while still be active.
- Never turn the air-conditioner off by unplugging it from the wall. Always press the power button, then wait for a few minutes before unplugging the unit. This will allow the unit to perform a cycle of operational checks and shut-down processes.



COOL Mode

Ideal for hot muggy weather when you need air conditioning and dehumidifying in a room.

To set this mode correctly:

- Press the MODE button a number of times until the COOL symbol appears.
- Select the target temperature by pressing the ▲ or ▼ button until the desired temperature is displayed.
- Select the required fan speed by pressing the FAN button. Four speeds are available.



- **Low speed:** for silent operation
- **Medium speed:** reduced noise level but quicker comfort
- **Maximum speed:** achieve target temperature as rapidly as possible
- **AUTO FAN:** the air-conditioner automatically selects the most suitable fan speed in relation to the temperature set on the digital display.

The most suitable temperature in a room during summer is between 24C and 27C. It is not recommended to set a temperature too much below the outdoor temperature.

DRY Mode

Ideal to reduce room humidity (spring and autumn, damp rooms, rainy warm weather etc..)

In dry mode, the air-conditioner should be prepared in the same way as for cooling mode, with the air exhaust hose attached to enable the moisture to be discharged outside.

To set this mode correctly:

- Press the MODE button a number of a times until the DRY symbol appears.



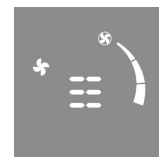
In this mode, fan speed is selected automatically by the air-conditioner and cannot be set manually.

FAN Mode

When using the air-conditioner in this mode, the air hose does not need to be attached.

To set this mode correctly:

- Press the MODE button a number of times until the FAN symbol appears.
Select the required fan speed by pressing the FAN button.



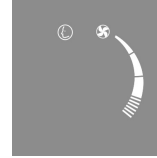
In this mode, you can select low, medium or maximum fan speed. There is no AUTO FAN speed for this mode.

SMART mode

The air-conditioner will automatically select whether it should function in air-conditioning or fan mode.

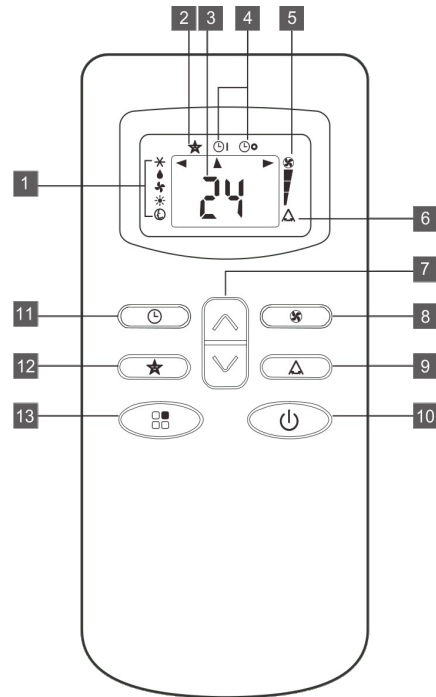
To set this mode:

- Press the MODE button a number of times until the SMART symbol appears.



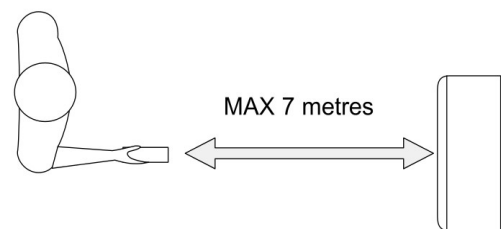
Remote Control

1. Mode indicator
 2. Sleep indicator
 3. Selected temperature scale indicator
 4. Timer selection
 5. Fan speed indicator
 6. Swing indicator
 7. Increase (+) and decrease (-) button
 8. FAN button
 9. SWING button
 10. ON/OFF button
 11. TIMER button
 12. SLEEP button
 13. MODE button
- press this button to select the fan speed between HIGH/MED/LOW
- press this button to switch the automatic swing function ON or OFF
- press this button to turn the air-conditioner ON or OFF.
- press this button to set automatic startup or shutdown.
- Press this button to turn the sleep function ON or OFF
- press this button to select between the modes of COOL/DRY/FAN



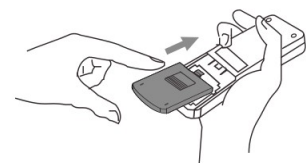
Correct Use

- ✓ Point the remote control at the receiver on the air-conditioner. The remote control must be no more than 7 metres away from the air-conditioner (with no obstacles between the remote control and the receiver).
- ✓ The remote control must be handled with care. Do not drop it or expose it to direct sunlight or other sources of heat.



Replacing the batteries

1. Remove the cover on the rear of the remote.
2. Insert 2 x AAA batteries, taking care to match the polarities of the batteries with the markings inside the battery compartment.
3. Replace the cover.

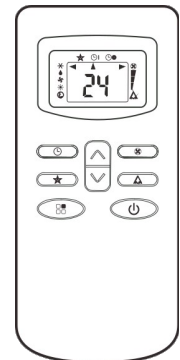


Operating from the Remote Control

The first part of the controls on the remote control are the same as those on the control panel of the appliance.

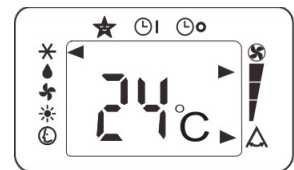
You should therefore refer to the instructions in the chapter **Operating from the Control Panel** to turn the appliance on and select the operating modes and fan speeds.

The following section describes the additional functions corresponding to the controls on the bottom section of the remote control.



COOL mode ❄️

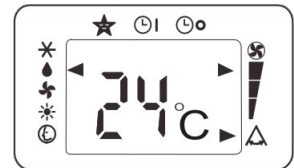
- Press the ON/OFF button to turn the air-conditioner on.
- Press the “❄️” button to select COOL.
- Set the temperature using the “⬇️” button.
- To select the fan speed, press the “🌀” button until the desired fan speed is selected.



Note: in COOL mode, the air-conditioner automatically removes excess moisture from the air.

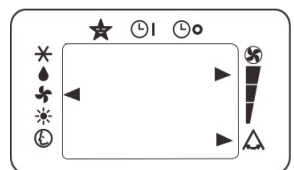
DRY mode 💧

- Keep windows and doors closed for effective dehumidifying.
- When used only as a dehumidifier, keep the exhaust hose disconnected.
- Press the ON/OFF button to turn the air-conditioner on.
- Press the “💧” button to select DRY. The fan speed will be LOW and cannot be adjusted in DRY mode.



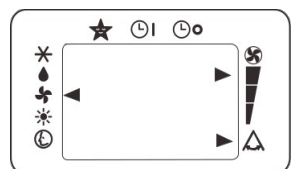
FAN mode 🌀

- Press the ON/OFF button to turn the air-conditioner on.
- Press the “🌀” button to select FAN.
- To select fan speed, press the “🌀” button until the desired fan speed is selected. Please note that in this mode, AUTO fan speed cannot be selected.



SMART mode ⌚

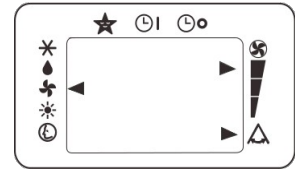
- The air-conditioner will automatically choose whether to operate in air-conditioning or fan mode.
- Press the “🌀” button until the SMART “⌚” symbol appears.



SLEEP function

This function is useful at night as it will gradually reduce the operation of the air-conditioner.

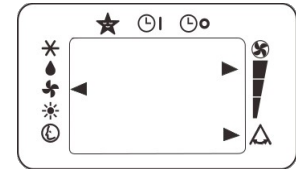
- Select the operating mode (cool/dry/smart) as described above.
- Press the “★” button. The appliance will continue to operate in the previously selected mode.



SWING function

This function is useful for selecting the left/right swing of air delivery.


- Select the operating mode (cool/dry/smart) as described above.
- Press the “△” button. The appliance will continue to operate in the previously selected mode while the “▶△” icon will appear on the remote to show that the swing function is active.
- To stop the swinging function, press the swing button again and the ▶ will disappear from next to the swinging icon.




Setting the Timer

The timer can be used to delay the air-conditioner startup or shutdown. This avoids wasting electricity by optimising the operation periods.

Programmed Shutdown

- With the air-conditioner on, press the TIMER button. “⌚” will be displayed under “▲”.
- Set the time you want the air-conditioner to switch off using the  button (time range can be from 30 minutes to 24 hours).
- During the first ten hours, you can select half hour intervals. For time periods of longer than ten hours, hourly intervals can be selected.
- Press the “⌚” button again to confirm the setting. The “▲⌚” TIMER symbol on the control panel will light up to indicate that the timer is activated.
- At the end of the time period, the air-conditioner will switch off automatically.
- To cancel the TIMER setting, press the “⌚” button at any point during the set time.




Programmed Start Up

- Turn on the air-conditioner and set the working mode you want when the air-conditioner starts up. For example, set cooling mode, 25C at high fan speed.
- Press ON/OFF to switch air-conditioner into standby.
- Press the “⌚” button twice. The time will be displayed under the ▲⌚ symbol.
- Set the time when you want the appliance to switch on using the  button.

- Press the “⏸” button again to confirm the setting. The TIMER symbol light “⏸” on the control panel will light up to show the timer is activated.
- At the end of the set time, the air-conditioner will switch on and operate according to the previously set settings.
- To cancel the timer, press the “⏸” button at any point during the set time.

Self-Diagnosis

The air-conditioner has a self diagnosis system used to diagnose a number of malfunctions. Error messages are displayed on the display screen.

Message	Action
 <p>Low Temperature (Frost prevention)</p>	<p>The air-conditioner is fitted with a frost protection device to avoid excessive formation of ice. The appliance will start up again automatically when the defrosting process is complete.</p>
 <p>Probe Failure (Sensor damaged)</p>	<p>Contact the Kogan customer support team.</p>
 <p>Full Tank (Safety Tank Full)</p>	<p>Empty the internal safety tank, following the instructions in the “End of Season Operations” section.</p>

Tips for Correct Use

To get the best from your air-conditioner, follow these recommendations.

- Close the windows and doors in the room to be air-conditioned. When installing the air-conditioner semi-permanently, you should leave a door slightly open (as little as 1cm) to guarantee correct ventilation.
- Protect the room from direct exposure to the sun by partially closing curtains or blinds to make the air-conditioner more economical to run.
- Never rest objects of any description on the air-conditioner.
- Do not obstruct the air intake and outlet. Leave the grills free.
- Make sure there are no heat sources in the room.
- Never use the appliance in an excessively damp room (such as a laundry or room with a shower).
- Never use outdoors.
- Make sure the air-conditioner is standing on a level surface. If necessary, place castor locks under the front wheels.

Cleaning

Before cleaning or performing maintenance, turn the air-conditioner off by pressing the " " button on the control panel or the ON/OFF button on the remote control. Wait for 5 minutes, then unplug the unit from the wall power supply.

Cleaning the Cabinet

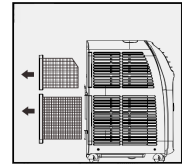
You should clean the air-conditioner with a slightly damp cloth, then dry with a soft dry cloth.

- x Never wash the air-conditioner with water. It may be dangerous.
- x Never use petrol, alcohol or solvents to clean the air-conditioner.
- x Never spray insecticide liquids or similar into or onto the air-conditioner.

Cleaning the Air Filters

To keep your air-conditioner working efficiently, you should clean the filter once every week of operation.

The filters are housed in the intake grille, as shown to right.



Use a vacuum cleaner to remove dust accumulations from the filter. If it is very dirty, immerse in warm water and rinse a number of times. The water should never be hotter than 40C.

After washing, leave the filters to dry, then attach the intake grille to the air-conditioner.

Start/End of Season Operations

Start of season checks

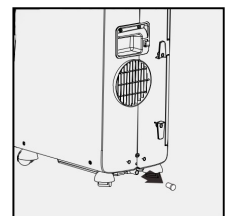
Make sure the power cable and plug are undamaged and in good working order. Follow the installation instructions precisely.

End of season operations

To empty the internal circuit of water completely, remove the cap as shown.

Run off all water into a basin, tray or simply onto the ground outside. Once all water has been drained, put the cap back into place.

Clean the air filter and dry thoroughly before putting back into the unit.



Troubleshooting

Problem	Cause	Solution
Air-conditioner does not turn on.	<ul style="list-style-type: none"> There is no power. Not plugged in. Safety switch has triggered. 	<ul style="list-style-type: none"> Wait. Plug into the mains. Wait 30 minutes, if the problem persists, contact Kogan customer support.
Air-conditioner works for a short time only.	<ul style="list-style-type: none"> There are bends in the exhaust hose. Something is preventing the air from being discharged. 	<ul style="list-style-type: none"> Position the air exhaust hose correctly, keeping it as short and free of curves as possible to avoid bottlenecks. Check and remove any obstacles that may be blocking air flow.
Air conditioner is working but it is not cooling the room.	<ul style="list-style-type: none"> Windows, doors and/or curtains open. There are heat sources in the room. Air exhaust hose has detached from unit. Technical specifications of the unit is not adequate for the room in which it is located. 	<ul style="list-style-type: none"> Close doors, windows and curtains, bearing in mind the "tips for correct use" on page 10. Eliminate the heat sources. Fit the air exhaust hose to the housing at the back of the unit. Move air-conditioner to a smaller room that suits its specifications.
During Operation, there is an unpleasant smell in the room.	<ul style="list-style-type: none"> The air filter is clogged. 	<ul style="list-style-type: none"> Clean the filter as described on page 11.
The air-conditioner does not operate for about 3 minutes after restarting it.	<ul style="list-style-type: none"> The internal compressor safety device prevents the unit from being restarted for three minutes after it was last turned off. 	<ul style="list-style-type: none"> Wait. This delay is part of normal operations.
The following messages display on the panel: Lt / PF / Ft	<ul style="list-style-type: none"> The appliance has a self-diagnosis system and has diagnosed an error. 	<ul style="list-style-type: none"> Refer to the Self-Diagnosis chapter on page 10.

Technical Specifications

Mains Voltage	See ratings label on product.
Max. Power Usage	See ratings label on product.
Refrigerant	See ratings label on product.
Cooling Capacity	See ratings label on product.
Volume of Water Tank	1 litre
Protection Degree	IPX0
Dimensions	695 x 480 x 270mm