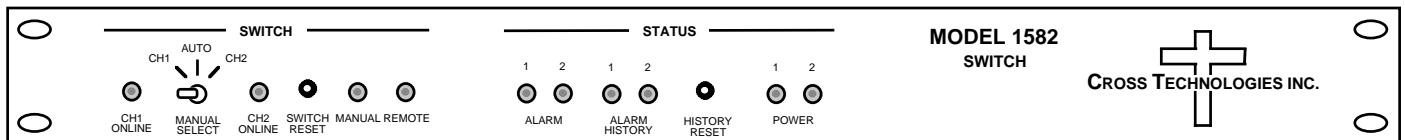


# Instruction Manual

# Model 1582-22L RF Protection Switch

June 2011 Rev. C



Data, drawings, and other material contained herein are proprietary to Cross Technologies, Inc., but may be reproduced or duplicated without the prior permission of Cross Technologies, Inc. for purposes of operating the equipment. Printed in USA.

When ordering parts from Cross Technologies, Inc., be sure to include the equipment model number, equipment serial number, and a description of the part.



6170 Shiloh Road  
Alpharetta, Georgia 30005

(770) 886-8005  
FAX (770) 886-7964  
Toll Free 888-900-5588

WEB: [www.crosstechnologies.com](http://www.crosstechnologies.com)  
E-MAIL: [info@crosstechnologies.com](mailto:info@crosstechnologies.com)

# INSTRUCTION MANUAL

## MODEL 1582-22L RF Protection Switch

| <b><u>TABLE OF CONTENTS</u></b>          | <b><u>PAGE</u></b> |
|--|--------------------|
| <b>Warranty</b>                          | <b>2</b>           |
| <b>1.0 General</b>                       | <b>3</b>           |
| 1.1 Equipment Description                | <b>3</b>           |
| 1.2 Technical Characteristics            | <b>4</b>           |
| <b>2.0 Installation</b>                  | <b>5</b>           |
| 2.1 Mechanical                           | <b>5</b>           |
| 2.2 Input and Output Signals             | <b>6</b>           |
| 2.3 Controls and Indicators              | <b>7</b>           |
| 2.4 Operation                            | <b>9</b>           |
| 2.5 Switch Mode Setup                    | <b>10</b>          |
| <b>3.0 Environmental Use Information</b> | <b>11</b>          |

**WARRANTY** - The following warranty applies to all Cross Technologies, Inc. products.

All Cross Technologies, Inc. products are warranted against defective materials and workmanship for a period of one year after shipment to customer. Cross Technologies, Inc.'s obligation under this warranty is limited to repairing or, at Cross Technologies, Inc.'s option, replacing parts, subassemblies, or entire assemblies. Cross Technologies, Inc. shall not be liable for any special, indirect, or consequential damages. This warranty does not cover parts or equipment which have been subject to misuse, negligence, or accident by the customer during use. All shipping costs for warranty repairs will be prepaid by the customer. There are not other warranties, express or implied, except as stated herein.



6170 Shiloh Road  
Alpharetta, Georgia 30005

(770) 886-8005  
FAX (770) 886-7964  
Toll Free 888-900-5588

WEB: [www.crosstechnologies.com](http://www.crosstechnologies.com)  
E-MAIL: [info@crosstechnologies.com](mailto:info@crosstechnologies.com)

# MODEL 1582-22L RF Protection Switch

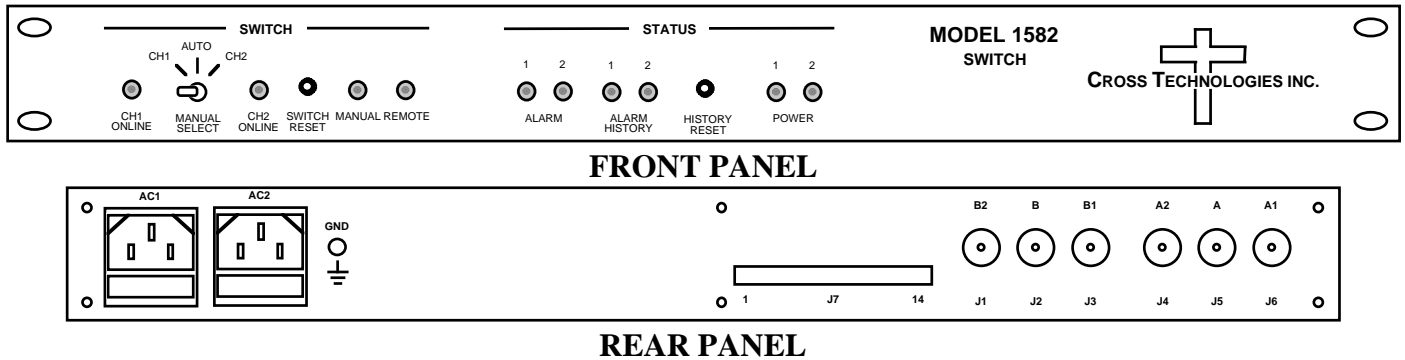
## 1.0 General

### 1.1 Equipment Description

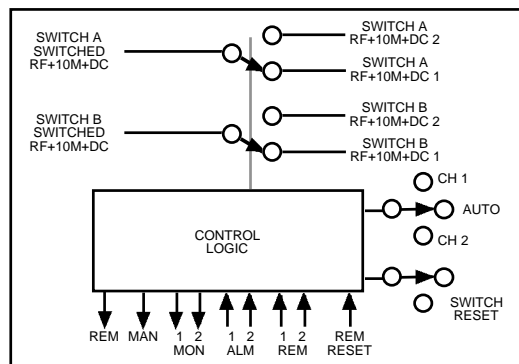
The 1582-22L RF Protection Switch provides Auto, Manual or Remote latched relay switching between CH1 and CH2 RF signals from .95 to 2.15 GHz including 10 MHz and DC power for attached LNB or SSPB devices. Alarm conditions on CH1 and CH2 are either a contact closure to ground or an open (selectable). The logic controls two separate RF switches, A and B. Switching logic can be selected as follows:

1. CH1 Prime Mode - Switches from CH1 to the CH2 only if CH1 alarms and CH2 is good. Switches back when CH1 no longer in alarm or both CH1 and CH2 are bad.
2. Latch to CH2 Mode - Switches to CH2 if CH1 alarms and CH2 is good. Latches to CH2. Push Manual Reset or ground Remote Reset pin to return to CH1 if it has no alarm.
3. Minimum AUTO switching. Initial Channel Select (ICS) Mode - Switch stays on channel last selected by Manual or Remote selection after return to AUTO. AUTO switching occurs only if current channel alarms and other channel is clear.

When power is lost and when power is applied (as alarms at power up dictate), the selected channel remains on. The Manual Select switch and (when in AUTO) contact closures to Remote Select pins select CH1 or CH2 independent of alarms. LEDs indicate alarm and switch conditions for CH1 and CH2 and REMOTE or MANUAL operation. Redundant power supplies are provided.



**FIGURE 1.1 Model 1582-22L Front and Rear Panels**



**FIGURE 1.2 Model 1582-22L RF Switch Block Diagrams**

## 1.2 Technical Characteristics

**TABLE 1.1 1582-22L RF Switch Specifications\***

### Switch Characteristics

|                      |   |
|----------------------|---|
| Impedance            | 75 $\Omega$   |
| Type / Configuration | Latching Relay / DPDT   |
| Insertion Loss       | $\leq 2$ dB (10 to 25 MHz)<br>Not Specified (26 MHz to 0.8 GHz)<br>$\leq 1.5$ dB, $\leq 1.0$ dB typ. (0.95 to 1.5 GHz)<br>$\leq 2.5$ dB, $\leq 2.0$ dB typ. (1.5 to 2.15 GHz) |
| Frequency Response   | $\leq \pm 0.5$ dB, any 40 MHz BW (0.95 to 2.15 GHz)   |
| Return Loss          | $\geq 12$ dB, $\geq 14$ dB, typ. (0.95 to 1.5 GHz)<br>$\geq 10$ dB, $\geq 12$ dB, typ. (1.5 to 2.15 GHz)  |
| Isolation            | $\leq -50$ dB (10 to 25 MHz)<br>$\leq -50$ dB, $\leq -55$ dB typ. (0.95 to 2.15 GHz)  |
| Switch Time          | $\leq 20$ ms  |
| DC Switching         | 24VDC @ 2.4 Amps; 48VDC @ 1.8 Amps  |

### Controls

|               |   |
|---------------|---|
| MANUAL SELECT | Manually select CH1 or CH2  |
| SWITCH RESET  | Resets to CH1 in latch mode, and resets REMOTE                            |
| HISTORY RESET | Resets alarm history (prior occurrence of alarms now cleared) - LEDs only |
| MANUAL SELECT | Manually select CH1 or CH2  |

### Indicator LEDs

|                 |  |
|-----------------|--|
| CH1 ON-LINE     | Turns green when Channel 1 is selected                                   |
| CH2 ON-LINE     | Turns green when Channel 2 is selected                                   |
| MANUAL          | Turns red when the Manual Select switch manually selects channel 1 or 2. |
| ALARM CH1       | Turns red when Channel 1 alarm input is a closure or open (selectable)   |
| ALARM CH2       | Turns red when Channel 2 alarm input is a closure or open (selectable)   |
| ALARM HISTORY 1 | Turns red on Channel 1 alarm and stays red until HISTORY RESET is pushed |
| ALARM HISTORY 2 | Turns red on Channel 2 alarm and stays red until HISTORY RESET is pushed |
| POWER CH1       | Turns green when power is applied to AC1 input on the rear panel         |
| POWER CH2       | Turns green when power is applied to AC2 input on the rear panel         |
| REMOTE          | Turns amber when REMOTE control is active                                |
| MANUAL SELECT   | Manually select CH1 or CH2   |

### Other

|                     |   |
|---------------------|---|
| Alarm/Control Conn. | Terminal Strip  |
| RF Connectors       | BNC (female), 75 $\Omega$ (see Table 2.2 for other options)     |
| Mechanical          | 19-inch standard 1RU chassis, 1.75"H x 12"D                     |
| Power               | Redundant power supplies; 100-240 $\pm 10\%$ VAC, 47-63 Hz, 30W |

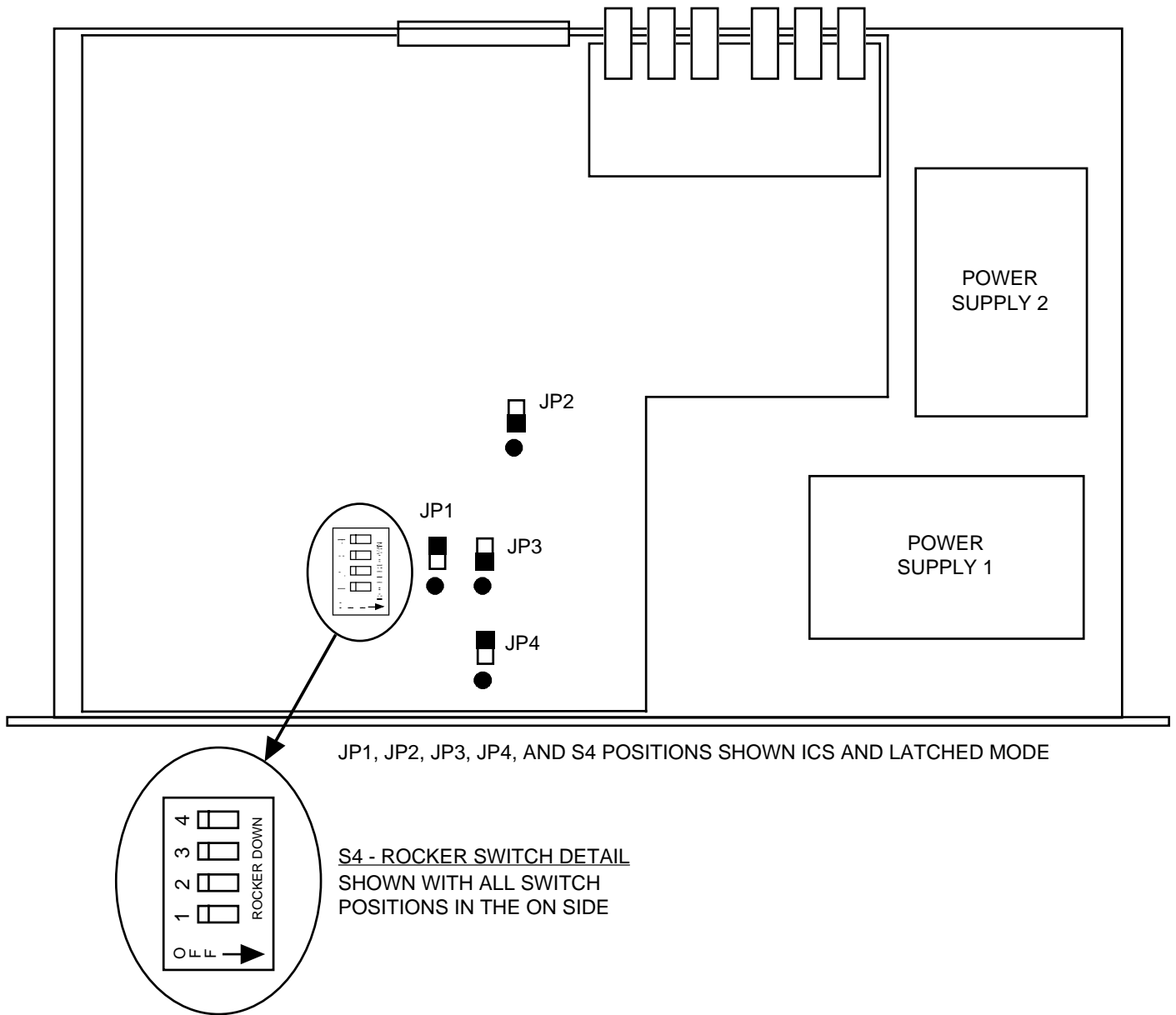
---

\*+10°C to +40°C; 2000m max elevation; 80% max humidity; Specifications subject to change without notice

## 2.0 Installation

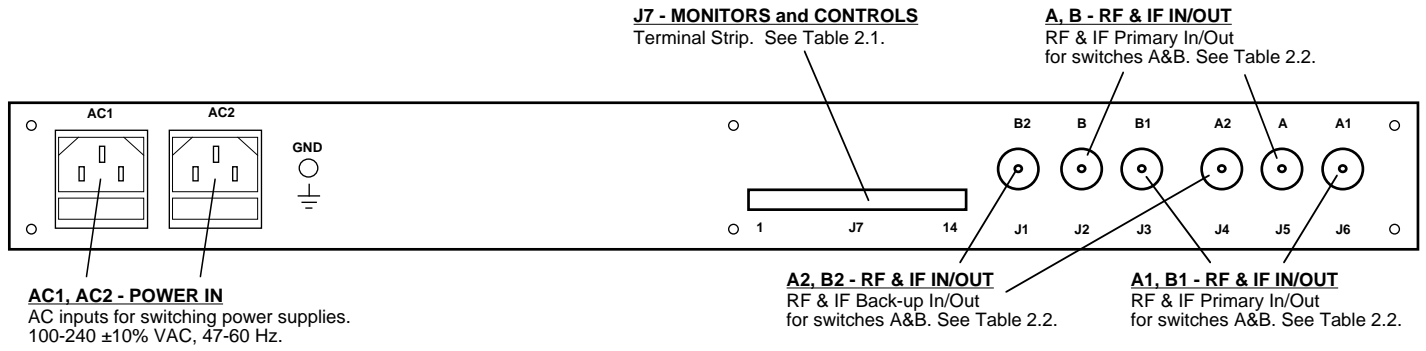
### 2.1 Mechanical

The 1582-22L consists of one RF/Controller PCB and one smaller PCB containing the RF inputs and outputs. It is housed in a 1 RU (1 3/4 inch high) by 12 inch deep chassis. Redundant switching power supplies provide power for the assembly. The 1582-22L can be secured to a rack using the 4 holes on the front panel.



**FIGURE 2.1 1582-22L RF Switch Assembly**

**2.2 Input and Output Signals** - Figure 2.2 shows the input and output connectors on the rear panel.



**FIGURE 2.2 1582-22L RF Switch Rear Panel Inputs/Outputs**

| Table 2.1 J7 Pinouts (Monitors and Controls) |                 |   |
|--|-----------------|---|
| Pin  | Function        | Description   |
| 1  | REMOTE 1 IN     | When in AUTO, momentary ground on this pin selects CH1    |
| 2  | REMOTE 2 IN     | When in AUTO, momentary ground on this pin selects CH2    |
| 3  | GROUND          | Ground  |
| 4  | REMOTE RESET IN | When in LATCH mode, ground resets switch to CH1           |
| 5  | NC              | Not Connected   |
| 6  | SWITCH COMMON   | Common pin for SWITCH 1, 2                                |
| 7  | GROUND          | Ground  |
| 8  | MANUAL          | *Open collector output (< 5Ω) to GND when in MANUAL mode  |
| 9  | REMOTE          | *Open collector (< 5Ω) to GND when in REMOTE mode         |
| 10   | GROUND          | Ground  |
| 11   | SWITCH 1        | **Relay closure to J7 pin 6 (<5Ω) when CH1 RF is selected |
| 12   | SWITCH 2        | **Relay closure to J7 pin 6 (<5Ω) when CH2 RF is selected |
| 13   | ALARM 1 IN      | Ground or Open (selectable by JP2) is CH1 alarm           |
| 14   | ALARM 2 IN      | Ground or Open (selectable by JP2) is CH2 alarm           |

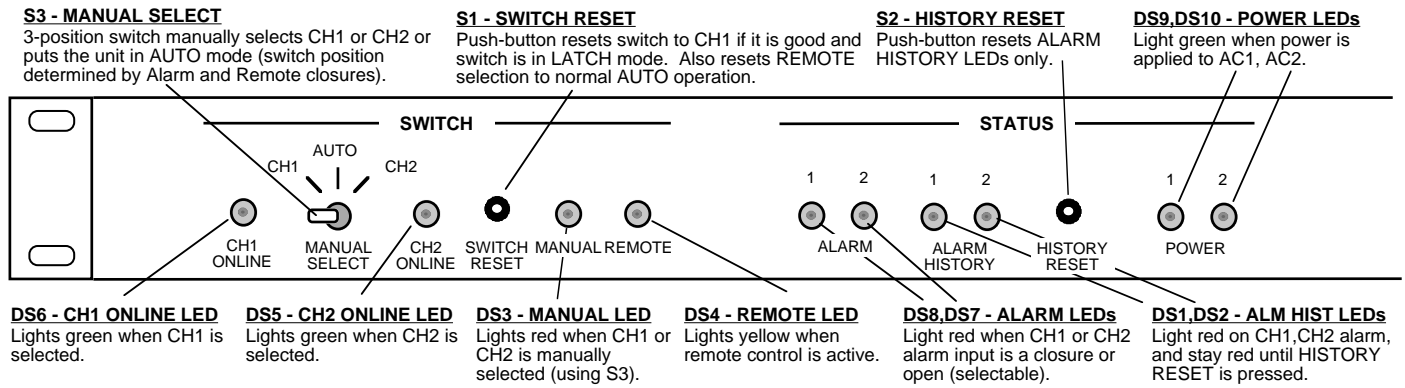
\* Max voltage to be connected is +20 VDC @ 30mA  
 \*\* Max voltage to be connected is +30 VDC @ 100mA

**TABLE 2.2 RF Connector Options**

| Option | RF (Switch A, In/Out) |             | IF (Switch B, In/Out) |             |
|--------|-----------------------|-------------|-----------------------|-------------|
|        | RF Common (A)         | RF (A1, A2) | IF Common (B)         | IF (B1, B2) |
| STD    | BNC, 75Ω              | BNC, 75Ω    | BNC, 75Ω              | BNC, 75Ω    |
| D      | BNC, 50Ω              | BNC, 50Ω    | BNC, 50Ω              | BNC, 50Ω    |
| J      | F-type, 50Ω           | F-type, 50Ω | BNC, 50Ω              | BNC, 50Ω    |
| M      | N-type, 50Ω           | BNC, 50Ω    | BNC, 50Ω              | BNC, 50Ω    |
| N      | N-type, 50Ω           | BNC, 50Ω    | BNC, 75Ω              | BNC, 75Ω    |

**\*NOTE\*** When the 1582 RF Switch is installed into a system, J7 Pins 13 and 14 (Alarms In) and appropriate grounds must be interconnected between the primary(s), backup(s) and the 1582 RF Switch for proper switch function.

**2.3 Controls and Indicators -** The following are the front panel controls and indicators.



**FIGURE 2.3 1582-22L Front Panel Controls and Indicators**

### 2.3.1 PC Board Settings

**NOTE:** Dot position means jumper goes from pins 1-2; non-dot means jumper goes from pins 2-3

#### **JP1 - 3-pin jumper** - 3-pin jumper that works with JP3

In the dotted position when CH1 alarms the 1582-22L will switch to CH2 until CH2 alarms. At this point, if CH1 is still in alarm, the switch will stay on CH2. When the CH1 alarm clears if CH2 is still in alarm, the switch will switch to CH1.

- JP1 normal position - **dot** (operates in conjunction with JP3 as noted below)

#### **JP2 - Input Alarm Condition** 3-pin jumper

In the dotted position open is normal, ground is alarm

In the non-dot position ground is normal, open is an alarm.

- JP2 normal position - **dot**

#### **JP3 - LATCH to CH2 mode ON / OFF** - 3-pin jumper effective when JP1 is in the non-dot position.

With JP3 in the dot and JP1 in the non-dot, when channel 1 alarms, the 1582-22L switch switches to channel 2 and stays there until the reset button is pushed on the front panel or by an external closure to ground on the remote RESET pin on J7, and then it switches to channel 1. (If channel 1 alarms are cleared ). If in the ICS mode and originally set to CH2 the 1582-22L will not switch if CH2 alarms. Only the RESET functions (front panel pushbutton or J7 closure to ground) will return the switch to CH1.

With JP3 in the non-dot and JP1 in the non-dot, when channel 1 alarms the 1582-22L switches to channel 2 until the alarm on channel 1 clears and then the 1582-22L switches back to channel 1 automatically.

- JP3 normal position - **dot**

#### **JP4 - CH2 Alarm Enable / Ignore** - 3-pin jumper

Dotted position - Failure in CH1 will cause a switch to CH2 even if CH2 is in alarm. LEDs will correctly show CH2 alarm status.

Non-dotted position - Failure in CH1 will cause a switch to CH2 only if CH2 is not in alarm.

- JP4 normal position - **non-dot**

**S4 - Initial Channel Select (ICS) Mode** - 4-position DIP switch Selects the Initial Channel Select mode when JP1, JP2, JP3 in Dot and JP4 in Non-dot.

**S4 positions 1,2,3,4 to ON - ICS enabled.** In the ICS mode, the initial channel can be either CH1 or CH2 by switching the front panel MANUAL SELECT switch to either CH1 or CH2 and then back to the AUTO position or by grounding either REMOTE 1 or REMOTE 2 pins on J7 and then grounding the REMOTE RESET pin on J7 causing the 1582-22L to go back to AUTO in the channel last selected remotely if both channel alarms are clear or both channels are in alarm. The initial channel can also be selected if both channel alarms are clear or both channels are in alarm..

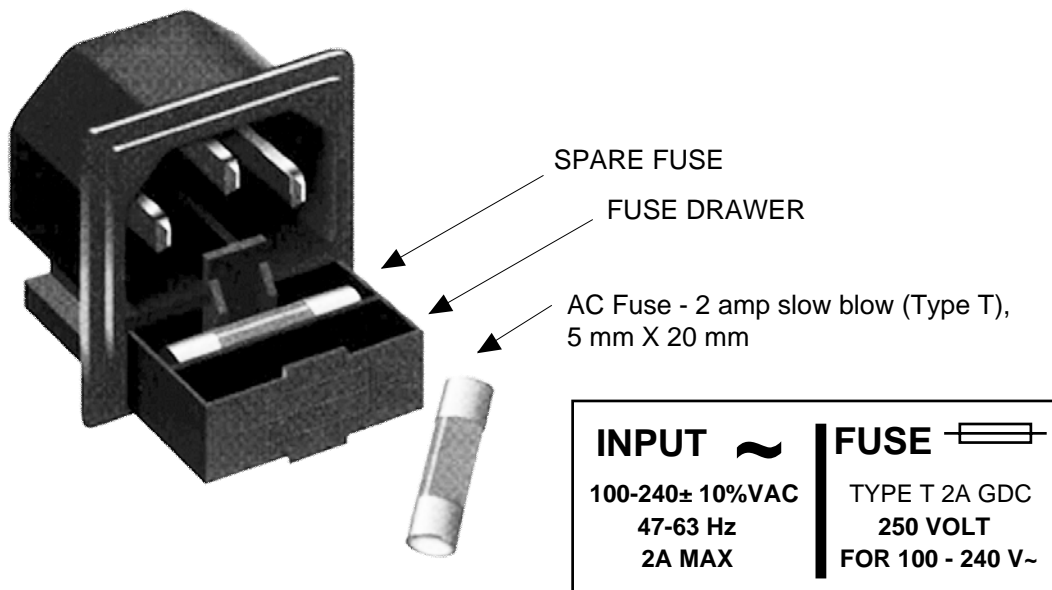
**S4 positions 1,2,3,4 to OFF - ICS disabled (Minimum Auto switching, Return to Last State Mode)** The 1582-22L goes to the last state (CH1 or CH2) it was in when in AUTO after manually or remotely switching and returning to AUTO. Auto switching occurs only if current channel alarms and the other channel is clear.

**S4 normal position - 1,2,3,4 to ON**



## 2.4 Operation

1. Set the on board controls as desired (see Sections 2.3.1 and 2.5, and Figure 2.1).
2. Install the 1582-22L in the equipment rack.
3. Connect signals to the BNC connectors (J1-J6 and J8-J13).
4. Connect to signals on the MONITORS AND CONTROLS connector, J7, as desired (see Figure 2.2, Table 2.1).
5. Connect power via two power cords to AC1 and AC2.
6. Manually switch between channels 1 and 2 and be sure switching occurs.
7. Switch to AUTO. Alarm channel 1 and note that automatic switching occurs. Remove alarm to CH1 and note that the output switches as desired. Push RESET if in LATCH mode. Repeat for CH2.
8. Check that CH1 and CH2 are selected when in AUTO and momentary ground is applied to J7 pins 1 and 2. Momentarily ground Remote Reset pin 4 on J7 if in LATCH mode to return to AUTO operation.



**FIGURE 2.4 Fuse and Spare Fuse Locations**

## 2.5 Switch Mode Setup

The following gives the switch mode settings of the on board controls that can be changed in the field with JP1, JP2, JP3, JP4; S4. ( Figure 2.3). All shown with external **alarm = ground**.

**1) CH1 Prime Mode** - Switches from CH1 to the CH2 only if CH1 alarms and CH2 is good.

Switches back to CH1 when it is no longer in alarm or when both CH1 and CH2 are in alarm

**Non-dot** JP1, JP3, JP4;

**Dot** - JP2;

**S4** - ALL TO OFF.

**2) Latch to CH2 Mode** - Switches from CH1 to CH2 if CH1 alarms and CH2 is good. Latches to CH2.

Push Reset or ground Remote Reset pin to return to CH1 if it has no alarm or both CH1 and CH2 are in alarm.

**Non-dot** - JP1, JP4;

**Dot** - JP2, JP3;

**S4** - ALL TO OFF.

**3) Minimum Auto switching, Initial Channel Select (ICS) Mode** - Switch stays on channel last selected by Manual or Remote selection after return to AUTO if both channel alarms are clear or both channels are in alarm. Auto switching occurs only if current channel alarms and the other channel is clear.

**Non-dot** - JP4;

**Dot** - JP1, JP2, JP3;

**S4** - ALL TO ON.

Factory set mode is generally **1) CH1 Prime Mode**.

### 3.0 Environmental Use Information

- A. Rack-Mounting** - To mount this equipment in a rack, please refer to the installation instructions located in the user manual furnished by the manufacturer of your equipment rack.
- B. Mechanical Loading** - Mounting of equipment in a rack should be such that a hazardous condition does not exist due to uneven weight distribution.
- C. Elevated Operating Ambient Temperature** - If installed in a closed or multi-unit rack assembly, the operating ambient temperature of the rack may be greater than room ambient temperature. Therefore, consideration should be given to Tmra.
- D. Reduced Air Flow** - Installation of the equipment in a rack should be such that the amount of air flow required for safe operation of the equipment is not compromised. Additional space between unit may be required.
- E. Circuit Overloading** - Consideration should be given to the connection of the equipment to the supply circuit and the effect that overloading of circuits could have on over current protection and supply wiring. Appropriate consideration of equipment name plate rating should be used, when addressing this concern.
- F. Reliable Earthing** - Reliable earthing of rack-mounted equipment should be maintained. Particular attention should be given to supply connections other than direct connection to the Branch (use of power strips).
- G. Top Cover** - There are no serviceable parts inside the product so, the Top Cover should not be removed. If the Top Cover is removed the ground strap and associated screw **MUST BE REINSTALLED** prior to Top Cover screw replacement. **FAILURE TO DO** this may cause **INGRESS** and/or **EGRESS** emission problems.



6170 Shiloh Road  
Alpharetta, Georgia 30005

(770) 886-8005  
FAX (770) 886-7964  
Toll Free 888-900-5588

WEB: [www.crosstechnologies.com](http://www.crosstechnologies.com)  
E-MAIL: [info@crosstechnologies.com](mailto:info@crosstechnologies.com)

Printed in USA