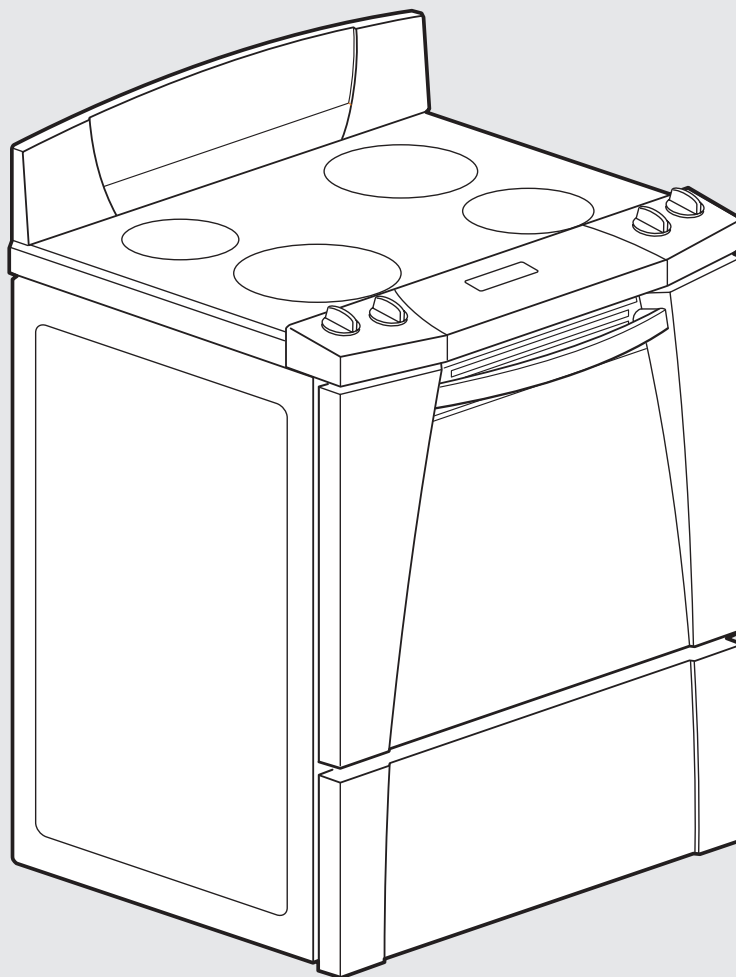


Installation Instructions



9758643

30" (76.2 cm) Electric Refrigerated Range with self-cleaning, convection oven



WARNING



Tip Over Hazard

A child or adult can tip the range and be killed.

Connect anti-tip bracket to rear range foot.

Reconnect the anti-tip bracket, if the range is moved.

Failure to follow these instructions can result in death or serious burns to children and adults.

IMPORTANT: Read and save these instructions.

IMPORTANT:

Installer: Leave Installation Instructions with the homeowner.

Homeowner: Keep Installation Instructions for future reference. Save Installation Instructions for local electrical inspector's use.

Write down the model and serial numbers before installing range.

Both numbers are on the model/serial rating plate, located on the oven frame behind the door.

Model # _____

Serial # _____

www.whirlpool.com

Part No. 9758643

Before you start...

Your safety and the safety of others are very important.

We have provided many important safety messages in this manual and on your appliance. Always read and obey all safety messages.



This is the safety alert symbol.

This symbol alerts you to potential hazards that can kill or hurt you and others.

All safety messages will follow the safety alert symbol and either the word "DANGER" or "WARNING." These words mean:

DANGER

You can be killed or seriously injured if you don't **immediately** follow instructions.

WARNING

You can be killed or seriously injured if you don't follow instructions.

All safety messages will tell you what the potential hazard is, tell you how to reduce the chance of injury, and tell you what can happen if the instructions are not followed.

IMPORTANT: Observe all governing codes and ordinances.

To eliminate the risk of burns or fire by reaching over heated surface units, cabinet storage space located above the surface units should be avoided. If cabinet storage is to be provided, the risk can be reduced by installing a range hood that projects horizontally a minimum of 5 inches beyond the bottom of the cabinets.

Grounded electrical outlet is required. See "Electrical requirements," section.

Cabinet opening dimensions that are shown must be used. Given dimensions are minimum clearances.

Do not pinch the power supply cord between the range and the wall.

Do not seal range to side cabinets.

Read electrical and carpentry instructions.

Proper installation is your responsibility. A qualified technician must install this range. Make sure you have everything necessary for correct installation. It is the customer's responsibility to make sure that the countertop has been properly prepared and that the installation clearances specified on the model/serial rating plate are met. The model/serial rating plate is located on the oven frame behind the drawer.

Check location where range will be installed. The range should be located for convenient use in the kitchen. Recessed installations must provide complete enclosure of the sides and rear of range.

All openings in the wall or floor where range is to be installed must be sealed.

IMPORTANT: Some cabinet and building materials are not designed to withstand the heat produced by the oven for baking and self-cleaning. Check with your builder or cabinet supplier to make sure that the materials used will not discolor, delaminate or sustain other damage.

It is the customer's responsibility:

To contact a qualified electrical installer.

To assure that the electrical installation is adequate and in conformance with National Electrical Code, ANSI/NFPA 70 — latest edition*, or CSA Standard C22.1, Canadian Electrical Code, Part 1 — latest edition**, and all local codes and ordinances.

NOTE: The metal chassis of the range must be grounded in order for the control panel to work. If the metal chassis of the range is not grounded, no keypads will operate. Check with a qualified electrician if you are in doubt as to whether the metal chassis of range is grounded.

Mobile home installation

The installation of this range must conform to the Manufactured Home Construction and Safety Standards, Title 24 CFR, Part 3280 (formerly the Federal Standard for Mobile Home Construction and Safety, Title 24, HUD, Part 280); or when such standard is not applicable, the Standard for Manufactured Homes Installations (Manufactured Home Sites, Communities and Setups), ANSI A225.1/NFPA 501A, or with local codes*.

In Canada, the installation of this range must conform with the current standards CAN/CSA-Z240 — latest edition**, or with local codes.

When this range is installed in a mobile home, it must be secured to the floor during transit. Any method of securing the range is adequate as long as it conforms to the standards listed above.

Four-wire power supply cable must be used in a mobile home installation. The appliance wiring will need to be revised. See four-wire electrical connection, Page 6.

Copies of the standards listed may be obtained from:

* National Fire Protection Association
One Batterymarch Park
Quincy, Massachusetts 02269

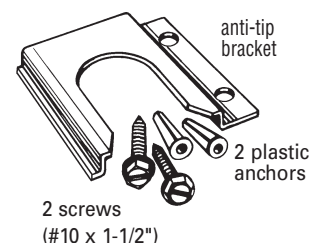
** CSA International
8501 East Pleasant Valley Road
Cleveland, Ohio 44131-5575

Tools and materials needed:

Follow all factory safety instructions included with your tools.

- level
- 3/8" drive ratchet
- adjustable wrench
- flat-blade screwdriver
- Phillips screwdriver
- hand or electric drill
- wood floor: 1/8" drill bit
- concrete/ceramic floors: 3/16" carbide-tipped masonry drill bit
- tape measure or ruler

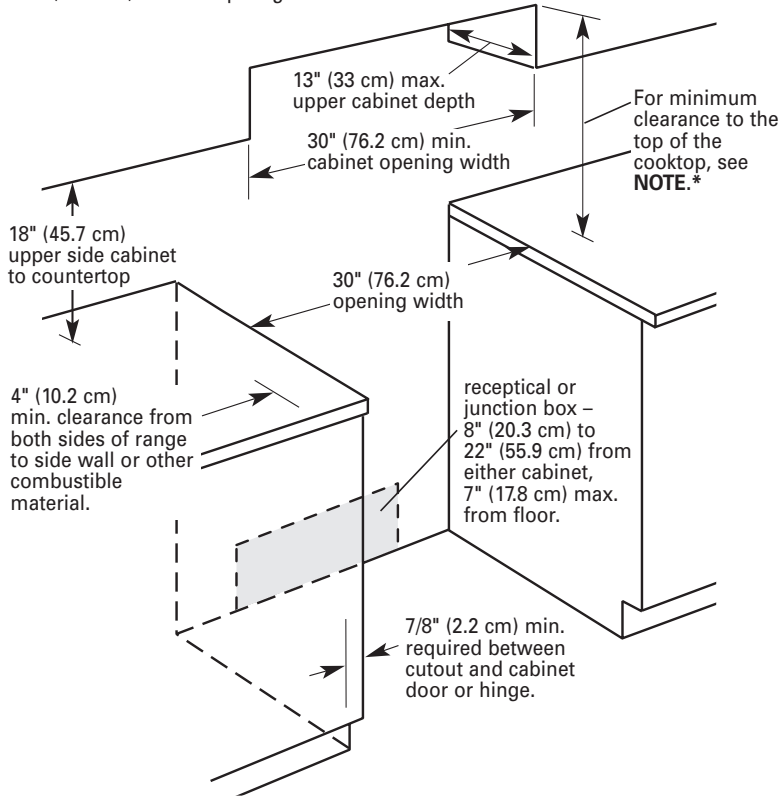
Parts supplied for installation:



(Bracket must be securely mounted to sub-floor. Thickness of flooring may require longer screws to anchor the bracket to sub-floor.)

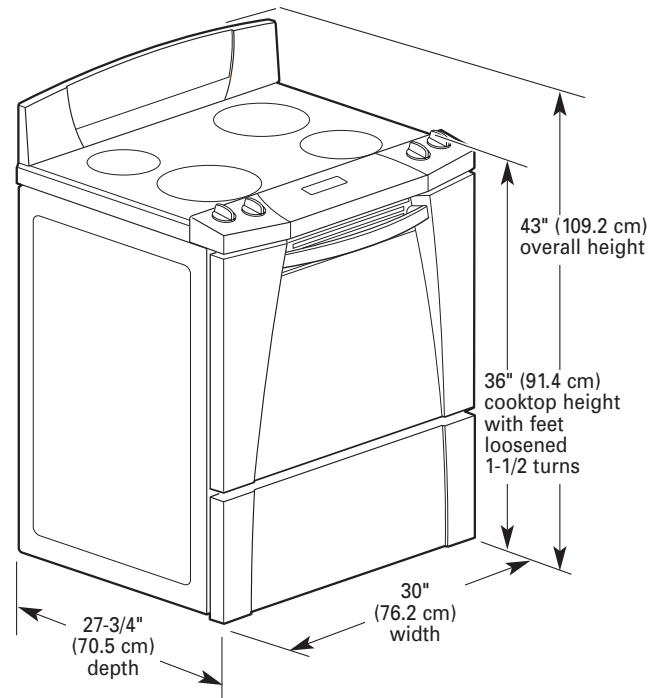
Cutout dimensions/requirements

25" (63.5 cm) countertop depth and
24" (61 cm) base cabinet depth,
36" (91.4 cm) countertop height



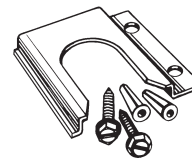
* **NOTE:** 24" (61 cm) min. when bottom of wood or metal cabinet is protected by not less than 1/4" (0.64 cm) flame retardant millboard covered with not less than No. 28 MSG sheet steel, 0.015" (0.4 mm) stainless steel, 0.024" (0.6 mm) aluminum or 0.020" (0.5 mm) copper.
30" (76.2 cm) min. clearance between the top of the cooking platform and the bottom of an unprotected wood or metal cabinet.

Product dimensions



When installed in a 24" (61 cm) base cabinet with 25" (63.5 cm) countertop — front of oven door protrudes 1-7/8" (4.8 cm) beyond 24" (61 cm) base cabinet.

Anti-tip bracket:



The floor anti-tip bracket must be installed. To install the anti-tip bracket shipped with the range, see Page 7 and the anti-tip bracket template.

Electrical requirements

⚠ WARNING



Electrical Shock Hazard

Electrically ground range.

Failure to follow these instructions can result in death, fire, or electrical shock.

If codes permit and a separate ground wire is used, it is recommended that a qualified electrician determine that the ground path is adequate.

Do not ground to a gas pipe.

Check with a qualified electrician if you are not sure range is grounded.

Do not have a fuse in the neutral or ground circuit.

A. When a four-wire or three-wire, single-phase, 120/240-volt, 60-Hz, AC-only, electrical supply is available, a 50 amp maximum circuit protection is required (or, if specified on the model/serial rating plate, when a four-wire or three-wire, single-phase 120/208-volt, 60 Hz, AC-only electrical supply is available, a 40 amp maximum circuit protection is required), fused on both sides of the line. A time-delay fuse or circuit breaker is recommended. The model/serial rating plate is located on the oven frame behind the drawer.

B. Wire sizes and connections must conform to the requirements of the National Electrical Code, ANSI/NFPA 70 — latest edition* or CSA Standard C22.1, Canadian Electrical Code, Part 1 — latest edition** and all local codes and ordinances for the kilowatt rating of the range.

Copies of the standards listed may be obtained from:

* National Fire Protection Association
One Batterymarch Park
Quincy, Massachusetts 02269

** CSA International
8501 East Pleasant Valley Road
Cleveland, Ohio 44131-5575

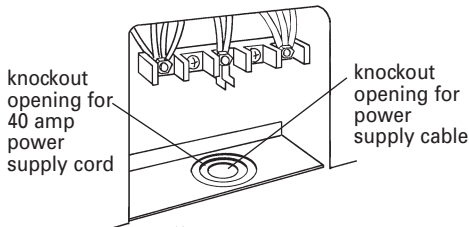
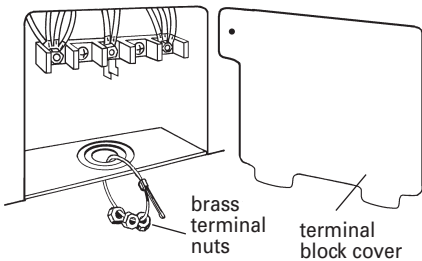
Electrical connection

(Not used for Canadian installations)

This range can be connected directly to the fused disconnect (or circuit breaker box) through flexible, armored conduit. Allow two to three feet of slack in the line so that it can be moved if servicing is ever necessary.

A U.L.-listed cable conduit connector must be provided at each end of the power supply cable (at the range and at the junction box).

Remove the terminal block cover located on the back of range.



Depending on your electrical supply, make the four-wire or three-wire connection to the range following the "Power supply cord method" or "Direct wire method" instructions.

If connecting to a four-wire electrical system...

This range is manufactured with the ground connected to the cabinet. The ground must be revised so the green grounding wire of the four-wire power supply cord is connected to the cabinet. See "Four-wire electrical connection" section.

When a four-wire receptacle of NEMA Type 14-50R is used, a matching U.L.-listed, four-wire, 250-volt, 40 amp, range power supply cord (pigtail) must be used. This cord contains four copper conductors with ring terminals at the appliance end, terminated in a NEMA Type 14-50P plug on the supply end. The fourth (grounding) conductor must be identified by a green or green/yellow cover and the neutral conductor by a white cover. Cord should be Type SRD or SRDT with a U.L.-listed strain relief and be at least four feet long.



4-wire wall receptacle (14-50R)

The minimum conductor sizes for the copper four-wire power cord are:

- 40 amp circuit
- 2, No.-8 conductors
- 1, No.-10 white neutral
- 1, No.-8 green grounding

If connecting to a three-wire electrical system...

Local codes may permit the use of a U.L.-listed, 250-volt, 40 amp range power supply cord (pigtail). This cord contains three, No.-10 copper wires and matches a three-wire receptacle of NEMA Type 10-50R. Connectors on the appliance end must be provided at the point the power supply cord enters the appliance.



3-wire wall receptacle (10-50R)

Power supply cord method

⚠ WARNING

Electrical Shock Hazard

Disconnect power before servicing.

Electrically ground range.

Failure to follow these instructions can result in death, fire, or electrical shock.

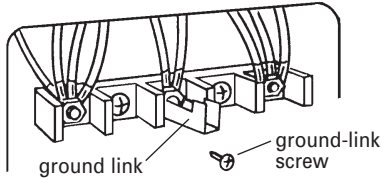
WARNING - Improper connection of the equipment-grounding conductor can result in a risk of electric shock. Check with a qualified electrician or serviceman if you are in doubt as to whether the appliance is properly grounded. Do not modify the power supply cord plug. If it will not fit the outlet, have a proper outlet installed by a qualified electrician.

1. Disconnect power.
2. Remove the knockout for the 40 amp power supply cord.
3. Assemble a U.L.-listed strain relief in the opening.
4. Insert the power supply cord through the strain relief, allowing enough slack to easily attach the wiring to the terminal block.
5. Use either ring-type terminals or spade terminals with upturned ends to connect the power supply. To secure the power supply cord, use the 3/8" brass nuts attached to the knockout opening. Be sure nuts are installed tight.
6. Complete electrical connection according to your type electrical supply ("Four-wire electrical connection" or "Three-wire electrical connection").

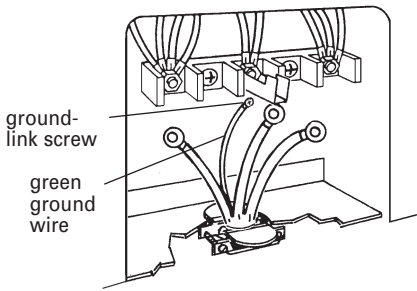
Four-wire electrical connection:

Use this method for new installations, mobile homes, recreational vehicles, and whenever four-wire installation is required.

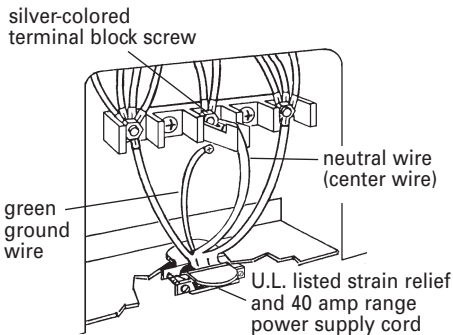
- Remove the ground-link screw from the range frame. Save the ground-link screw. Bend up the ground link so that it does not contact the range.



- Connect the green ground wire from power supply cord to the range using the ground-link screw. The ground wire must be attached first and must not contact any other terminal.

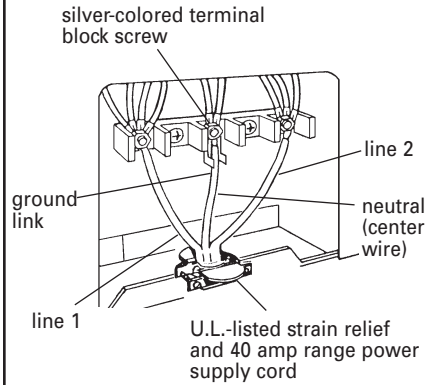


- Connect the neutral (center wire) wire to the center, silver-colored terminal screw on the terminal block using the brass nuts that are attached to the terminal block cover.



- Connect the other two wires to the outer terminals on the terminal block.
- Do not loosen the factory installed nuts already on the terminal. Tighten nuts with 3/8" nut driver for proper electrical connection.
- Tighten the strain relief screws.
- Replace the terminal block cover.

Three-wire electrical connection:



Use this method only if local codes permit connecting cabinet-ground conductor to neutral wire of power supply cord.

- Use the brass terminal nuts attached to the terminal block cover to connect the neutral wire (center wire) to the silver-colored terminal screw on the terminal block.
- Connect the other two wires to outer terminal screws on the terminal block.
- Do not loosen factory-installed nuts already on the terminal. Tighten nuts with 3/8" nut driver for proper electrical connection.
- Tighten the strain relief screws.
- Reinstall the terminal block cover.

Direct wire method

NOTE: The bag containing three aluminum terminal lugs must be used when making a direct wire connection.

⚠ WARNING



Electrical Shock Hazard

Disconnect power before servicing.

Use 8 gauge copper wire, or 6 gauge aluminum wire.

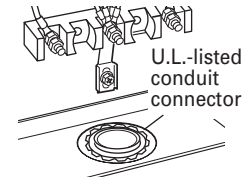
Electrically ground range.

Failure to follow these instructions can result in death, fire, or electrical shock.

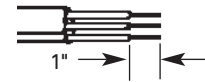
This range may be connected directly to the fuse disconnect or circuit breaker box; or with a U.L.-listed, 40 amp range power

supply cable. Depending on your electrical supply, make the required three-wire or four-wire connection.

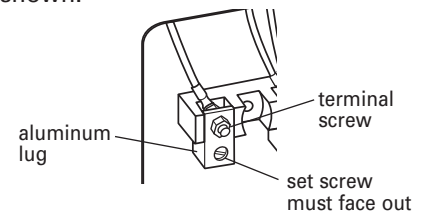
- Disconnect power.
- Remove the knockout for the power supply cable.
- Assemble a U.L.-listed conduit connector in the opening.



- Strip the insulation back 1 inch from the end of each wire.



- Allow enough slack in the wire to easily attach the wiring to the terminal block.
- Use 3/8" nut driver and remove the outside nuts on the terminal block screws. Do not loosen the factory-tightened nuts behind the outside nuts.
- IMPORTANT:** the aluminum lugs must be assembled to the terminal posts with the set screws facing out as shown.



- Attach three aluminum lugs to terminal posts.

Use a 3/8" nut driver and tighten the nuts securely. Nuts must be tightened to 20 in/lbs of torque for proper electrical connection.

- Complete electrical connection according to your type electrical supply ("Four-wire electrical connection" or "Three-wire electrical connection.")

Four-wire electrical connection:

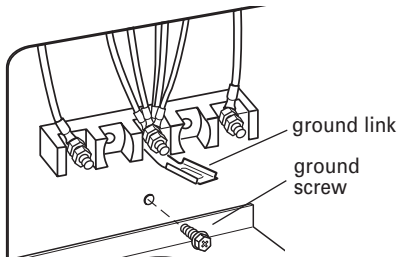


Figure 1

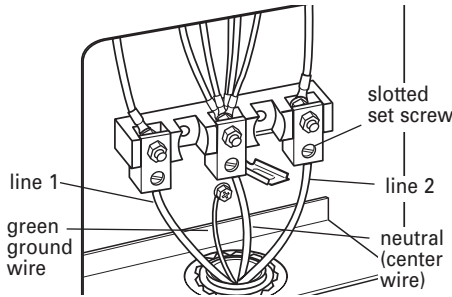


Figure 2

Use this method for new installations, mobile homes, recreational vehicles, and whenever four-wire installation is required.

10. Remove the ground-link screw from the range frame. Save the ground-link screw and cup washer. Bend up the ground link so that it does not contact the range. See Figures 1 and 2.
11. Connect the green ground wire from power supply cable to the range using the ground screw and cup washer. The ground wire must be attached first and must not contact any other terminal. See Figure 2.
12. Loosen (do not remove) the 3 slotted set screws. Insert the neutral (white) wire into the hole at the bottom of the center position terminal lug (attached to center terminal screw black terminal block). See Figure 2.
13. Connect the other two wires (lines 1 and 2) to the outer aluminum terminal lugs.
14. Securely tighten the set screws. For 8 gauge copper wire, tighten to 25 in/lbs of torque, and for 6 gauge aluminum wire, tighten to 35 in/lbs of torque to make a proper electrical connection. See Figure 2.
15. Tighten the locking ring and clamping screws of the conduit connector.
16. Replace the terminal block cover.

Three-wire electrical connection:

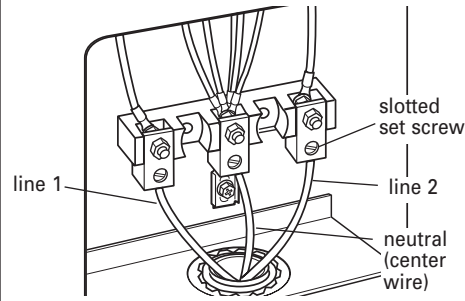


Figure 3

Use this method only if local codes permit connecting ground conductor to neutral supply wire.

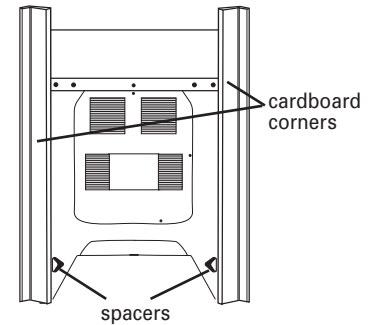
10. Loosen (do not remove) the 3 slotted set screws. Insert the neutral (white) wire into the hole at the bottom of the center position terminal lug (attached to center terminal screw of terminal block). See Figure 3.
11. Connect the other two wires (lines 1 and 2) to the outer aluminum terminal lugs.
12. Securely tighten the set screws. For 8 gauge copper wire, tighten to 25 in/lbs of torque, and for 6 gauge aluminum wire, tighten to 35 in/lbs of torque to make a proper electrical connection. See Figure 3.
13. Tighten the locking ring and clamping screws of the conduit connector.
14. Replace the terminal block cover.

Now start...

With range in kitchen.

1. Remove shipping materials, tape and protective film from range. Keep cardboard bottom and shipping base under range. Remove oven racks and parts package from inside oven.

2. Take 4 cardboard corners from the carton. Stack one cardboard corner on top of another. Repeat with the other two corners. Place corners lengthwise on the floor in back of range so corners will support outer side edges of range as shown.



⚠ WARNING

Excessive Weight Hazard

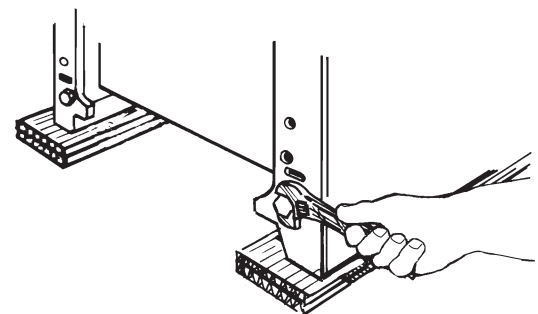
Use two or more people to move and install range.

Failure to do so can result in back or other injury.

3. Firmly grasp the range and gently lay it on its back on the cardboard corners.


4. Pull cardboard bottom and shipping base firmly to remove.

5. Use an adjustable wrench to loosen the leveling legs 1-1/2 turns.



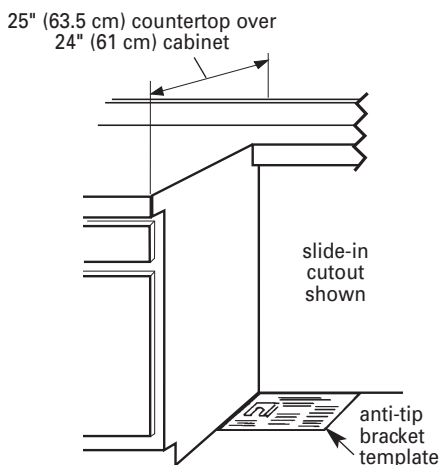
- 6.** Place cardboard or hardboard in front of range. Stand range back up onto cardboard or hardboard.

⚠ WARNING

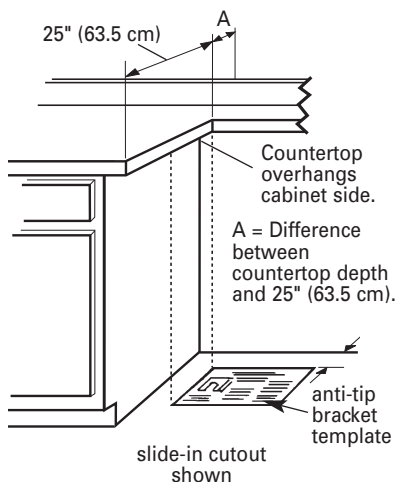


Tip Over Hazard
A child or adult can tip the range and be killed.
Connect anti-tip bracket to rear range foot.
Reconnect the anti-tip bracket, if the range is moved.
Failure to follow these instructions can result in death or serious burns to children and adults.

- 7.** Place the anti-tip bracket template on the floor in the cabinet opening so that the left edge is against cabinets and the top edge is against the rear wall, molding or cabinet. If countertop opening is deeper than 25 inches (63.5 cm), measure and mark a distance 25 inches (63.5 cm) in from front of countertop opening and align template with mark (or subtract 25 inches [63.5 cm] from countertop depth and add the difference to the 2-1/4-inch [5.7 cm] dimension).



If countertop is not flush to the side of cabinet opening, align the left side of the template to allow for the countertop overhang. Tape the range anti-tip bracket template in place.



Contact a qualified floor covering installer for the best procedure of drilling mounting holes through your type of floor covering.

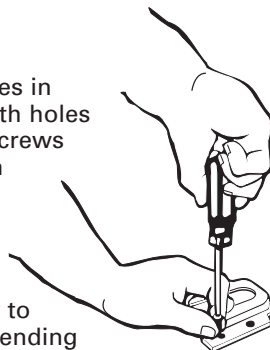


- 8.** To mount anti-tip bracket to wood floor, use the anti-tip bracket template to mark where to drill mounting holes. Use a drill with a 1/8" drill bit to drill the two holes. Remove template from floor.

To mount anti-tip bracket to concrete or ceramic floor, use the anti-tip bracket template to mark where to drill mounting holes. Use a drill with a 3/16" masonry drill bit to drill the two holes. Remove template from floor. Tap plastic anchors into mounting holes in floor with hammer.

- 9.** Line up holes in anti-tip bracket with holes in floor. Use the screws provided to fasten anti-tip bracket to floor.

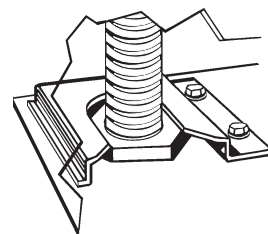
NOTE: Anti-tip bracket must be mounted securely to the sub floor. Depending on the thickness of your flooring, longer screws may be necessary to anchor the bracket to the sub floor. Longer screws are available from your local hardware store.



- 10.** Move range close to cabinet opening. Make electrical connection. See "Electrical requirements" and "Electrical connection" sections for details. "8888" should appear in the clock display. Refer to Use and Care Guide for information on electronic controls.

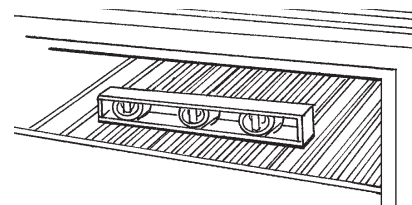
- 11.** Remove cardboard or hardboard from under range. Carefully move range into final position.

- 12.** The left rear leveling leg must be engaged in the anti-tip bracket. If leveling leg is not properly engaged, remove and reposition the anti-tip bracket to ensure that the leveling leg fits properly in the anti-tip bracket.

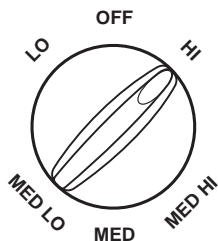


- 13.** Place rack in oven. Place level on rack, first side to side; then front to back. If the range is not level, pull range forward until the rear leveling leg is removed from the anti-tip bracket. Adjust the leveling legs up or down. Then slide range back into position. Check that leveling leg is engaged in anti-tip bracket.

NOTE: Oven must be level for satisfactory baking conditions.



14. Push in and turn each surface unit control knob to "HI" position. Check the operation of the cooktop elements and indicator lights.



15. Check the operation of the oven element. Press the "BAKE" pad. "350°F" will appear in the temperature display. Press the "START" pad. "LO" will appear in the display; then "170°F" (when oven reaches 170°F).

The bottom element should glow red and the indicator light should be on. The upper element should become hot but not glow red. As the oven temperature rises, the temperature in the display will increase in 5°F increments until the oven reaches the set temperature.

Press "CANCEL/OFF" pad.

16. Check the operation of the broil element. Close the oven door. Press the "BROIL" pad. "500°F" will appear in the temperature display. Press the "START" pad.

Look through the oven window. The top element should glow red. Press the "CANCEL/OFF" pad.

To get the most efficient use from your new electric range, read your Use and Care Guide. Keep Installation Instructions and Use and Care Guide close to the electric range for easy reference.

For cleaning and maintenance...

If removing the range is necessary for cleaning or maintenance, disconnect the electric supply.

If electrical supply is inaccessible, lift the range slightly at the front and pull the range away from the wall. Pull the range out only as far as necessary to disconnect the electrical supply line.

Remove the range to complete cleaning or maintenance.

Move range back into operating position. Remove drawer. Level the range.

Reconnect the electrical supply. Make sure that left rear leveling leg is engaged in the anti-tip bracket.

If range does not operate:

- Check that the circuit breaker is not tripped or the house fuse blown.
- Check that the power supply cord is plugged into the outlet (120 V models).
- See Use and Care Guide for troubleshooting list.

NOTE: Refer to Use and Care Guide for operating and cleaning instructions.

If you need assistance:

If you have questions about operating, cleaning or maintaining your range:

- Refer to Use and Care Guide.
- Call the Customer Interaction Center. Check your Use and Care Guide for a toll-free number to call or call the dealer from whom you purchased this appliance. The dealer is listed in the Yellow Pages of your phone directory under "Appliances — Household — Major — Service and Repair."

If you need service:

Maintain the quality built into your range by calling an authorized service company.

To obtain the name and number of the authorized service company:

- Contact the dealer from whom you purchased your range; or
- Look in the Yellow Pages of your telephone directory under "Appliances — Household — Major — Service and Repair;" or
- Call the Customer Interaction Center. The toll-free number is listed in your Use and Care Guide.

When you call, you will need:

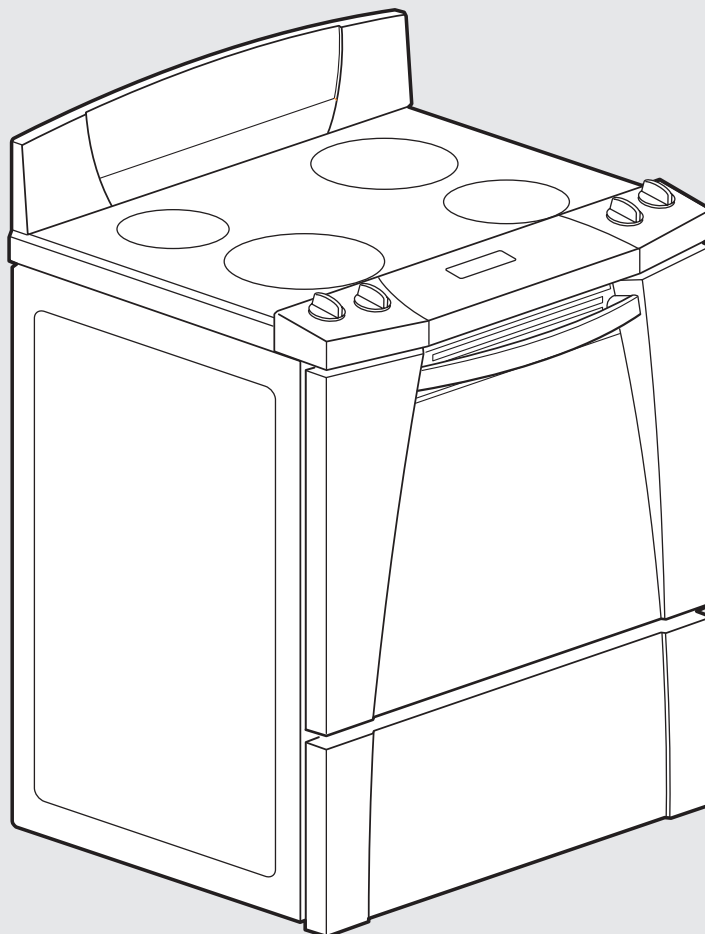
- The range model number.
- The range serial number.

Both numbers are listed on the model/serial rating plate located on the oven frame behind the door.

Instructions d'installation

Cuisinière électrique à compartiment réfrigéré 30 po (76,2 cm)

avec four à convection autonettoyant



⚠ AVERTISSEMENT



Risque de basculement

Un enfant ou une personne adulte peut faire basculer la cuisinière ce qui peut causer un décès.

Joindre la bride antibasculement au pied arrière de la cuisinière.

Joindre de nouveau la bride antibasculement si la cuisinière est déplacée.

Le non-respect de ces instructions peut causer un décès ou des brûlures graves aux enfants et aux adultes.

IMPORTANT :
Lire et conserver ces instructions.

IMPORTANT :

Installateur : Remettre les instructions d'installation au propriétaire.

Propriétaire : Conserver les instructions d'installation pour consultation ultérieure. Conserver les instructions d'installation pour consultation par l'inspecteur local des installations électriques.

Inscrire ci-dessous les numéros de modèle et de série avant d'installer la cuisinière.

On trouve cette information sur la plaque signalétique, fixée sur le châssis, derrière la porte.

N° de modèle _____

N° de série _____

www.whirlpool.com

Pièce n° 9758643

Avant de commencer...

Votre sécurité et celle des autres est très importante.

Nous donnons de nombreux messages de sécurité importants dans ce manuel, et sur votre appareil ménager. Assurez-vous de toujours lire tous les messages de sécurité et de vous y conformer.



Voici le symbole d'alerte de sécurité.

Ce symbole d'alerte de sécurité vous signale les dangers potentiels de décès et de blessures graves à vous et à d'autres.

Tous les messages de sécurité suivront le symbole d'alerte de sécurité et le mot "DANGER" ou "AVERTISSEMENT." Ces mots signifient :

DANGER

Risque possible de décès ou de blessure grave si vous ne suivez pas immédiatement les instructions.

AVERTISSEMENT

Risque possible de décès ou de blessure grave si vous ne suivez pas les instructions.

Tous les messages de sécurité vous diront quel est le danger potentiel et vous disent comment réduire le risque de blessure et ce qui peut se produire en cas de non-respect des instructions.

IMPORTANT : Observer les dispositions de tous les codes et règlements en vigueur.

Pour éliminer le risque de brûlure ou déclenchement d'un incendie (en tentant d'atteindre quelque chose dans des placards), éviter d'installer des placards de rangement au-dessus des éléments chauffants de la cuisinière. S'il est nécessaire d'installer des placards de rangement au-dessus des éléments chauffants de la cuisinière, on peut réduire le risque par l'installation d'une hotte qui fera saillie d'au moins 5 po horizontalement au-delà du fond des placards.

Une prise de courant reliée à la terre est nécessaire. Voir la section

Outillage nécessaire pour l'installation :

Observer toutes les prescriptions de sécurité des fabricants des outils utilisés.

- niveau
- clé à cliquet - prise 3/8 po
- clé à molette
- tournevis à lame plate

"Caractéristiques de l'installation électrique"

On doit respecter les dimensions indiquées pour l'espace d'installation; elles tiennent compte des valeurs minimales des dégagements de séparation.

Ne pas coincer le cordon d'alimentation entre la cuisinière et la paroi.

Ne pas sceller la jointure entre la cuisinière et les placards latéraux.

Lire les instructions concernant l'installation électrique et l'ébénisterie.

C'est à l'installateur qu'incombe la responsabilité d'une installation correcte. Cette cuisinière doit être installée par un technicien qualifié. Vérifier que le plan de travail a été convenablement préparé. Vérifier que tout le matériel nécessaire pour une installation correcte est disponible. C'est à l'installateur qu'incombe la responsabilité de respecter les dégagements de séparation spécifiés sur la plaque signalétique. On trouve la plaque signalétique sur le châssis, derrière le tiroir de remisage.

Examiner l'emplacement où la cuisinière sera installée. Choisir un emplacement pratique dans la cuisine. Dans le cas d'un encastrement, on doit former une enceinte complète sur les côtés et à l'arrière de la cuisinière.

On doit parfaitement obturer/sceller toutes les ouvertures dans le mur et le plancher dans l'espace d'installation de la cuisinière.

IMPORTANT : Certains placards et matériaux de construction ne peuvent résister à la chaleur émise par le four lors des opérations de cuisson au four et d'autonettoyage. Vérifier auprès du constructeur de la maison ou du fournisseur des placards que les matériaux utilisés ne subiront pas de dommage (changement de couleur, déstratification, etc.)

C'est au client qu'incombe la responsabilité :

de contacter un électricien qualifié pour l'installation.

De s'assurer que l'installation électrique est adéquate et conforme aux dispositions du Code national des installations électriques ANSI/NFPA 70 – dernière édition*, ou de la norme C22.1, partie 1, du Code canadien de l'électricité (dernière édition)**, et aux dispositions de tous les codes et règlements locaux.

- tournevis à lame Phillips
- perceuse électrique ou vilebrequin
- plancher de bois : foret de 1/8 po
- plancher de béton/ céramique : foret à maçonnerie 3/16 po (pointe de carbure)
- mètre-ruban

NOTE : Pour que le système de commande puisse fonctionner, il faut que le châssis métallique de l'appareil soit relié à la terre. Si le châssis métallique de l'appareil n'est pas relié à la terre, aucune touche ne peut fonctionner. En cas de doute quant à la qualité de la liaison à la terre du châssis métallique de l'appareil, consulter un électricien qualifié.

Installation dans une résidence mobile :

L'installation de la cuisinière doit satisfaire les critères de la norme de construction/sécurité des résidences préfabriquées (Manufactured Home Construction and Safety Standards, titre 24 CFR, partie 3280 - (anciennement norme fédérale pour construction/sécurité des résidences mobiles, titre 24 HUD partie 280); ou si cette norme n'est pas applicable l'installation doit satisfaire les prescriptions de la norme d'installation des résidences préfabriquées (Manufactured Home Sites, Communities and Setups), ANSI A225.1/NFPA 501A, ou les prescriptions des codes locaux.

Au Canada, l'installation de cette cuisinière doit satisfaire les critères de la plus récente édition de la norme CAN/ACNOR-Z240 ** ou des codes locaux en vigueur.

Si cette cuisinière est installée dans une résidence mobile, on doit la fixer au sol durant toute opération de transport. Toute méthode de fixation de la cuisinière au plancher est adéquate si elle satisfait les prescriptions des normes mentionnées ci-dessus.

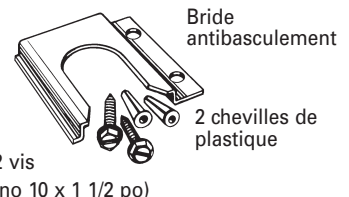
Dans une résidence mobile, un câble d'alimentation à 4 conducteurs doit être utilisé. Le câblage de la cuisinière doit subir une révision. Voir Raccordement à un circuit électrique à 4 conducteurs en page 4.

On peut se procurer un exemplaire des normes mentionnées aux adresses suivantes :

* National Fire Protection Association
One Batterymarch Park
Quincy, Massachusetts 02269

** Association canadienne de normalisation/
CSA
8501 East Pleasant Valley Road
Cleveland, Ohio 44131-5575

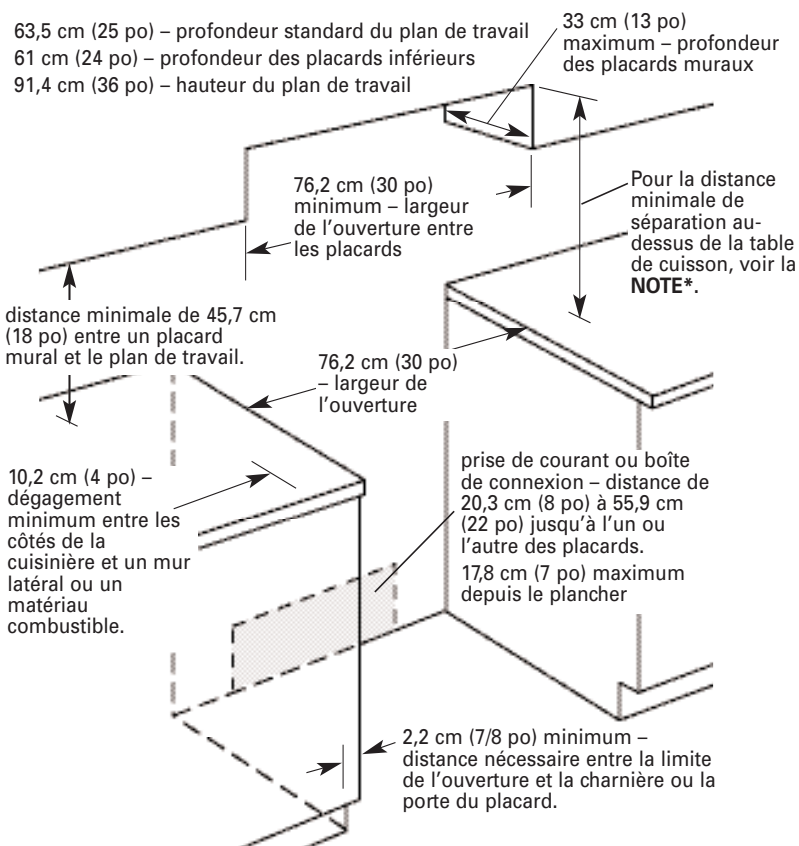
Pièces fournies pour l'installation :



2 vis
(no 10 x 1 1/2 po)

(Il faut que la bride soit solidement fixée au sous-plancher. Selon l'épaisseur du plancher, il peut être nécessaire d'utiliser des vis plus longues pour l'ancrage de la bride sur le sous-plancher.)

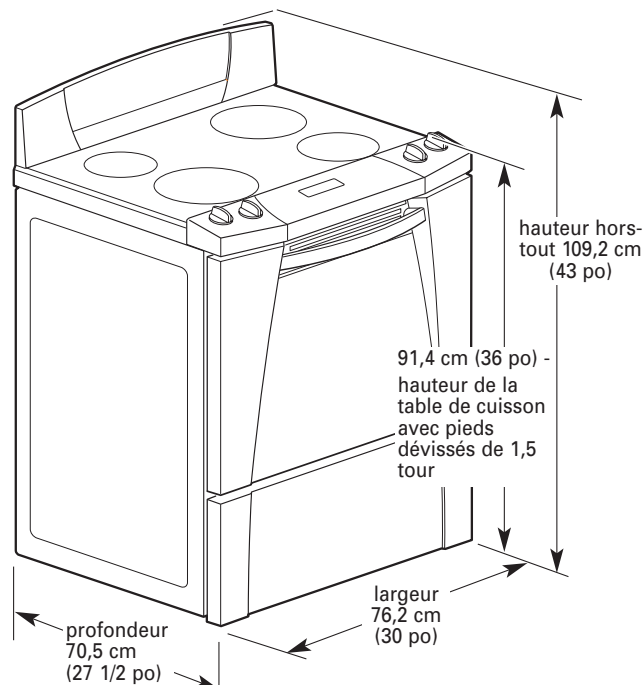
Dimensions de la cavité d'installation



***NOTE :** Distance minimale de 61 cm (24 po) min. lorsque le fond de bois ou de métal du placard est protégé par un matériau ignifugé d'au moins 0,64 cm (1/4 po) recouvert d'une tôle d'acier (au moins 28 MSG), d'acier inoxydable (0,4 mm / 0,015 po), d'aluminium (0,6 mm / 0,024 po) ou de cuivre (0,5 mm / 0,020 po).

Distance minimale de 76,2 cm (30 po) min. entre le sommet de la table de cuisson et le fond d'un placard de bois ou de métal non protégé.

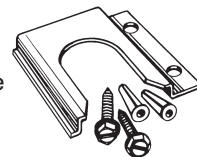
Dimensions du produit



Dimensions indiquées pour placards inférieurs de 61 cm (24 po) avec plan de travail de 63,5 cm (25 po) – avant de la porte du four en saillie de 4,8 cm (1 7/8 po) par rapport aux placards inférieurs de 61 cm (24 po).

Bride antibasculement :

Il faut que la bride antibasculement soit installée. Voir à la page 6 les instructions d'installation de la bride antibasculement fournie avec la cuisinière, et le gabarit à utiliser pour l'installation de la bride antibasculement.



Caractéristiques de l'installation électrique

Si on utilise un conducteur distinct de liaison à la terre et lorsque le code en vigueur le permet, il est recommandé qu'un électricien qualifié vérifie la qualité de la liaison à la terre.

Ne pas utiliser une tuyauterie de gaz pour la liaison à la terre.

En cas de doute quant à la qualité de la liaison à la terre de l'appareil, consulter un électricien qualifié.

Ne jamais installer un fusible en série avec le conducteur neutre ou le conducteur de liaison à la terre.

A. Si une source d'alimentation électrique monophasée 120/240 volts, 60 Hz, CA seulement (4 conducteurs ou 3 conducteurs) est disponible, un dispositif de protection de capacité de 50 A maximum est nécessaire sur les conducteurs d'alimentation (ou si ceci est spécifié sur la plaque signalétique, si une source monophasée 120/208 volts, 60 Hz, CA seulement - (3 conducteurs ou 4 conducteurs) est disponible, un dispositif de protection d'une capacité maximale de 40 A est nécessaire) sur les deux côtés du circuit. On recommande l'emploi d'un disjoncteur ou de fusibles temporisés. La plaque signalétique de l'appareil est située sur le châssis du four, derrière le tiroir.

B. Le calibre des conducteurs et les connexions doivent être conformes aux prescriptions de l'édition la plus récente du Code national des installations électriques ANSI/NFPA. 70 — dernière édition* ou de la norme CSA C22.1, Code canadien de l'électricité partie 1 — dernière édition**, et de tous les codes et règlements locaux en vigueur, pour la demande de puissance présentée par la cuisinière (KW).

On peut se procurer un exemplaire des normes mentionnées aux adresses suivantes :

* National Fire Protection Association
One Batterymarch Park
Quincy, Massachusetts 02269

** Association canadienne de normalisation/
CSA
8501 East Pleasant Valley Road
Cleveland, Ohio 44131-5575

Raccordement à un circuit électrique à 4 conducteurs...

Les conducteurs de liaison à la terre de cette cuisinière sont raccordés à la caisse. On doit réviser le système de liaison à la terre pour que le conducteur vert de liaison à la terre du cordon d'alimentation à 4 conducteurs soit connecté à la caisse.

Pour le branchement sur une prise de courant NEMA type 14 10-50R (4 conducteurs), on doit utiliser un cordon d'alimentation 250-volts/40 A (homologation UL) de configuration semblable pour cuisinière. Ce cordon d'alimentation doit comporter quatre conducteurs de cuivre avec quatre cosse de connexion annulaires à l'extrémité raccordée à la cuisinière, et une prise de courant NEMA type 14-50P à l'extrémité de branchement. Le quatrième conducteur (liaison à la terre) doit être identifié par une gaine verte ou vert/jaune, et le conducteur neutre doit être identifié par une gaine blanche. Il doit s'agir d'un cordon d'alimentation d'au moins quatre pieds, de type SRD ou SRDT, et avec une gaine de traversée/serre-câble à homologation UL.



prise de courant à 4 alvéoles (14-50R)

Pour le cordon d'alimentation à quatre conducteurs de cuivre, les caractéristiques minimales des conducteurs sont les suivantes :

- circuit 40 A
- 2 conducteurs n° 8
- 1 conducteur blanc n° 10
- 1 conducteur vert n° 8

Raccordement à un circuit électrique à 3 conducteurs...

Le code local peut permettre l'utilisation d'un cordon d'alimentation pour cuisinière de 250 volts/40 A (homologation UL).

Ce cordon d'alimentation comporte trois conducteurs de cuivre (calibre 10) et une fiche de branchement de même configuration que la prise de courant pour trois conducteurs NEMA type 10-50R. Le cordon doit comporter les connecteurs appropriés à l'extrémité de raccordement à la cuisinière.



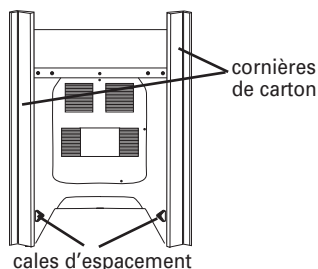
prise de courant à 3 alvéoles (10-50R)

Commencer maintenant...

avec la cuisinière dans la cuisine

1. Retirer de la cuisinière matériaux d'emballage, rubans adhésifs et film de protection. Laisser palette/matériaux d'emballage sous la cuisinière. Enlever les grilles du four, les grilles de brûleur et les sachets de pièces placés à l'intérieur du four.

2. Placer les 4 cornières de carton en deux groupes de deux (superposées). Étendre les paires de cornières de carton sur le sol à l'arrière de la cuisinière pour qu'elles puissent soutenir les bords externes de la cuisinière (voir l'illustration).



AVERTISSEMENT

Risque de poids excessif

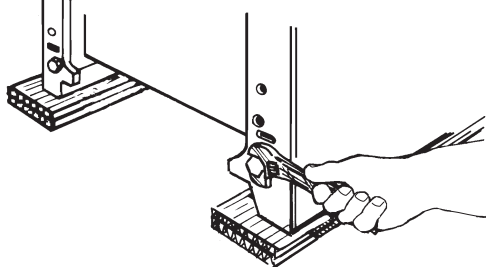
Utiliser deux ou plus de personnes pour déplacer et installer de la cuisinière.

Le non-respect de cette instruction peut causer une blessure au dos ou d'autres blessure.

3. Saisir fermement la cuisinière; faire basculer doucement la cuisinière sur la face arrière, pour qu'elle repose sur les cornières de carton.

4. Tirer fermement sur la base d'expédition et le fond de l'emballage de carton pour les enlever.

5. Avec une clé à molette, desserrer les pieds de réglage de l'aplomb de 1,5 tour.



6. Placer une plaque de carton ou de contreplaqué à l'avant de la cuisinière; relever la cuisinière pour la placer sur ce matériau de protection.

AVERTISSEMENT



Risque de basculement

Un enfant ou une personne adulte peut faire basculer la cuisinière ce qui peut causer un décès.

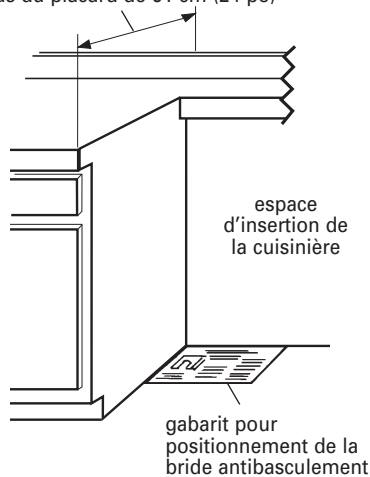
Joindre la bride antibasculement au pied arrière de la cuisinière.

Joindre de nouveau la bride antibasculement si la cuisinière est déplacée.

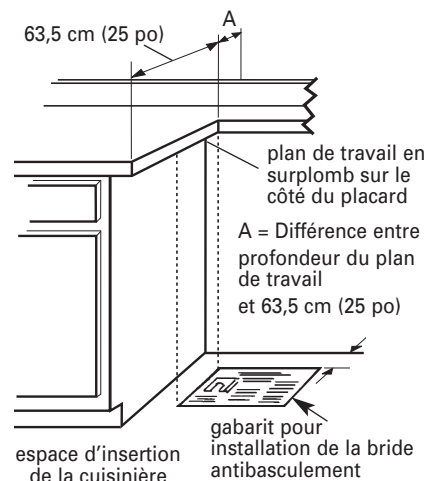
Le non-respect de ces instructions peut causer un décès ou des brûlures graves aux enfants et aux adultes.

7. Placer le gabarit d'installation de la bride antibasculement sur le plancher, dans l'espace d'insertion de la cuisinière entre les placards; le bord gauche du gabarit doit être en contact du placard et le bord arrière doit être en contact du mur arrière, ou de la moulure. Si la profondeur de l'espace d'insertion est supérieure à 63,5 cm (25 po), mesurer et marquer une distance de 63,5 cm (25 po) depuis l'avant de l'espace d'insertion au niveau du plan de travail, et aligner le gabarit avec cette marque (ou bien soustraire 63,5 cm (25 po) de la profondeur du plan de travail et ajouter la différence obtenue à la dimension initiale de 5,7 cm (2 1/4 po)).

plan de travail de 63,5 cm (25 po)
au-dessus du placard de 61 cm (24 po)



Si le plan de travail n'est pas en affleurement avec le côté du placard, aligner le gabarit en tenant compte du surplomb du plan de travail. Immobiliser le gabarit avec du ruban adhésif.



Contactez un installateur qualifié de revêtements de sol au sujet des meilleures méthodes pour le perçage des trous de montage à travers le type de revêtement de sol présent.



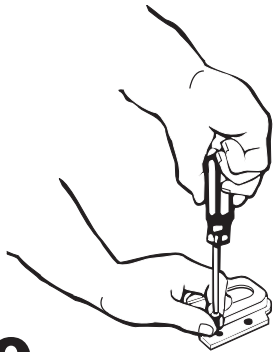
8. Pour la fixation de la bride antibasculement sur un plancher de bois, marquer la position des trous de montage à l'aide du gabarit d'installation de la bride antibasculement. Utiliser une perceuse avec un foret de 1/8 po pour le perçage des deux trous. Enlever le gabarit.

Pour la fixation de la bride antibasculement sur un plancher de béton ou de céramique, marquer la position des trous de montage à l'aide du gabarit d'installation de la bride antibasculement. Utiliser un foret à maçonnerie de 3/16 po pour percer les deux trous. Enlever le gabarit. Insérer des chevilles de plastique dans les deux trous de montage (enfoncez avec un marteau).

9. Aligner les trous de la bride antibasculement avec les avant-trous percés dans le plancher. Utiliser les vis fournies pour fixer la bride antibasculement sur le plancher.

NOTE : Il faut que la bride soit solidement fixée au sous-plancher. Selon l'épaisseur du plancher, il peut être nécessaire d'utiliser des vis plus longues pour l'ancrage de la bride sur le sous-plancher.

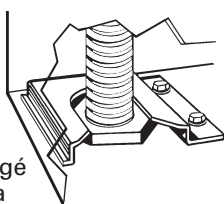
On peut acheter ces vis plus longues dans un magasin de quincaillerie local.



10. Approcher la cuisinière près de l'espace d'insertion entre les placards. Réaliser le raccordement électrique. Voir la sections les détails à "Caractéristiques de l'installation électrique" et "Raccordement électrique". On doit voir apparaître "8888" sur l'afficheur de l'horloge. Voir le Guide d'utilisation et d'entretien au sujet du réglage du système électronique.

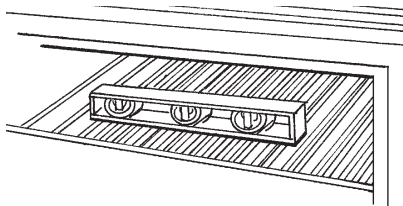
11. Enlever la plaque de carton ou de contreplaqué placée sous la cuisinière. Guider prudemment la cuisinière dans l'espace d'installation.

12. Il faut que le pied arrière gauche soit engagé dans la bride antibasculement. Si le pied n'est pas convenablement engagé dans la bride, retirer la cuisinière, et modifier adéquatement la position d'installation de la bride antibasculement pour qu'elle puisse convenablement accrocher le pied arrière de la cuisinière.

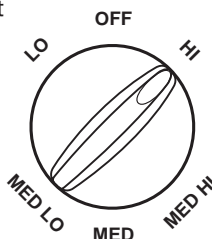


13. Placer la grille dans le four. Placer un niveau sur la grille – transversalement d'abord, puis dans le sens avant/arrière. Si la cuisinière n'est pas parfaitement d'aplomb, tirer la cuisinière vers l'avant pour extraire le pied arrière de la bride antibasculement. Ajuster la longueur des pieds de réglage de l'aplomb (augmentation ou diminution). Réinstaller la cuisinière à sa position permanente. Vérifier que le pied arrière est agrippé par la bride antibasculement.

NOTE : Pour que la performance de cuisson au four soit satisfaisante, il faut que la cuisinière soit d'aplomb.



14. Enfoncer et faire tourner chaque bouton de commande des éléments de la table de cuisson; placer chaque bouton à la position "HI"; vérifier que l'élément fonctionne et que le témoin s'illumine.



15. Contrôler le bon fonctionnement de l'élément du four. Appuyer sur la touche "BAKE"; l'afficheur de température doit présenter "350°F". Appuyer sur la touche "START". L'afficheur devra présenter "LO" puis "170°F" lorsque la température interne du four atteint 170°F.

L'élément inférieur du four doit devenir incandescent et le témoin de fonctionnement doit être illuminé. L'élément supérieur devrait s'échauffer, mais il ne devrait pas devenir incandescent. Lorsque la température du four augmente, la température indiquée par l'afficheur augmente par intervalle de 5°F, jusqu'à la température de réglage du four.

Appuyer sur la touche "CANCEL/OFF".

16. Vérifier le bon fonctionnement de l'élément du gril. Fermer la porte du four. Appuyer sur la touche "BROIL"; l'afficheur doit présenter 500°F. Appuyer sur la touche "START".

Observer la cavité du four à travers le hublot. L'élément supérieur devrait être incandescent. Appuyer sur la touche "CANCEL/OFF".

Pour pouvoir tirer le plus grand parti de cette nouvelle cuisinière électrique, lire le Guide d'utilisation et d'entretien. Conserver les instructions d'installation et le Guide d'utilisation et d'entretien en lieu sûr pour pouvoir facilement les consulter.

Nettoyage et entretien...

S'il est nécessaire de déplacer la cuisinière pour des opérations de nettoyage et d'entretien, interrompre l'alimentation électrique.

Si le point de connexion au réseau électrique n'est pas accessible, soulever légèrement la cuisinière à l'avant et tirer la cuisinière pour l'écarter du mur. Tirer la cuisinière juste assez pour pouvoir accéder au point de raccordement/branchement pour déconnecter la cuisinière du réseau électrique.

Retirer la cuisinière de son emplacement pour exécuter le travail de nettoyage ou d'entretien.

Réinstaller la cuisinière à son emplacement de service. Retirer le tiroir. Établir l'aplomb de la cuisinière. Reconnecter la cuisinière au réseau électrique. Vérifier que la bride antibasculement agrippe bien le pied arrière gauche de la cuisinière.

Si la cuisinière ne fonctionne pas :

- Déterminer si le disjoncteur est ouvert ou si un fusible est grillé.
- Vérifier que le cordon d'alimentation est bien branché sur la prise de courant (modèle 120 V).
- Consulter la section "diagnostic" dans le Guide d'utilisation et d'entretien.

NOTE : On trouve les instructions d'utilisation et de nettoyage dans le Guide d'utilisation et d'entretien.

Si une assistance est nécessaire :

Pour toute question concernant utilisation, nettoyage ou entretien de la cuisinière :

- Consulter le Guide d'utilisation et d'entretien.
- Consulter le centre de service-client. Pour le numéro d'appel sans frais, consulter le Guide d'utilisation et d'entretien, ou contacter le revendeur qui a vendu l'appareil. On peut trouver les coordonnées du revendeur dans l'annuaire Pages jaunes local à la rubrique "Appareils ménagers – Gros – service et réparation".

Si une intervention de réparation est nécessaire :

Pour préserver la qualité incorporée à cette cuisinière, contacter un établissement de service après-vente agréé.

Pour obtenir les coordonnées d'un établissement de service après-vente agréé :

- Contacter le revendeur qui a vendu la cuisinière, ou
- Consulter l'annuaire téléphonique Pages jaunes local à la rubrique "Appareils ménagers – Gros – service et réparation"; ou
- Contacter le centre de service-client. On trouve le numéro d'appel sans frais dans le Guide d'utilisation et d'entretien.

Lors de la communication, il sera nécessaire de communiquer :

- Le numéro de modèle de la cuisinière.
- Le numéro de série de la cuisinière.

On trouve ces deux numéros sur la plaque signalétique - située sur le châssis du four, derrière la porte.

