

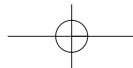
DEWALT Industrial Tool Company, P.O. Box 158, 626 Hanover Pike, Hampstead, MD 21074

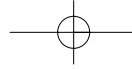
Printed in Italy (OCT97-CD-1)

Form No. 385498

DW756,DW758

Copyright © 1997



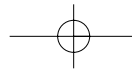


**INSTRUCTION MANUAL  
GUIDE D'UTILISATION  
MANUAL DE INSTRUCCIONES**

INSTRUCTIVO DE OPERACIÓN, CENTROS DE SERVICIO Y PÓLIZA DE GARANTÍA. **ADVERTENCIA:** LÉASE ESTE INSTRUCTIVO ANTES DE USAR EL PRODUCTO.

**DEWALT**®

**DW756 - 6" Heavy Duty Bench Grinder /DW758 - 8" Heavy Duty Bench Grinder**  
**DW756 - Meuleuse d'établi de 152 mm (6 po) de service intensif /DW758 - Meuleuse d'établi de 200 mm (8 po) de service intensif**  
**DW756 - Esmeriladora de banco de 152 mm (6")/DW758-Esmeriladora de banco de 200 mm (8") para trabajo pesado**



IF YOU HAVE ANY QUESTIONS OR COMMENTS ABOUT THIS OR ANY D<sub>E</sub>WALT TOOL, CALL US TOLL FREE AT:  
**1-800-4-D<sub>E</sub>WALT (1-800-433-9258)**

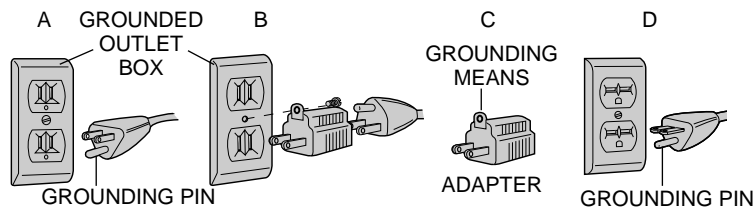
### Important Safety Instructions

**⚠ WARNING:** When using electric tools, basic safety precautions should always be followed to reduce risk of fire, electric shock, and personal injury, including the following:

#### READ ALL INSTRUCTIONS

### Grounding Instructions

This tool should be grounded while in use to protect the operator from electric shock. The tool is equipped with a 3-conductor cord and 3-prong grounding type plug to fit the proper grounding type receptacle. The green (or green and yellow) conductor in the cord is the grounding wire. Never connect the green (or green and yellow) wire to a live terminal. If your unit is intended for use on less than 150 V, it has a plug that looks like that shown in sketch A. If it is for use on 150 to 250 V, it has a plug that looks like that shown in sketch D. An adapter, sketches B and C, is available for connecting sketch A type plugs to 2-prong receptacles. The green-colored rigid ear, lug, or the like, extending from the adapter must be connected to a permanent ground, such as a properly grounded outlet box. No adapter is available for a plug as shown in sketch D. ADAPTER SHOWN IN FIGURES B and C IS NOT FOR USE IN CANADA.



### Safety Instructions For All Tools

- **KEEP WORK AREA CLEAN.** Cluttered areas and benches invite injuries.
- **CONSIDER WORK AREA ENVIRONMENT.** Don't expose power tools to rain. Don't use power tools in damp or wet locations. Keep work area well lit. Do not use tool in presence of flammable liquids or gases.
- **GUARD AGAINST ELECTRIC SHOCK.** Prevent body contact with grounded surfaces. For example; pipes, radiators, ranges, and refrigerator enclosures.
- **KEEP CHILDREN AWAY.** Do not let visitors contact tool or extension cord. All visitors should be kept away from work area.
- **STORE IDLE TOOLS.** When not in use, tools should be stored in dry, and high or locked-up place — out of reach of children.
- **DON'T FORCE TOOL.** It will do the job better and safer at the rate for which it was intended.
- **USE RIGHT TOOL.** Don't force small tool or attachment to do the job of a heavy-duty tool. Don't use tool for purpose not intended.
- **DRESS PROPERLY.** Do not wear loose clothing or jewelry. They can be caught in moving parts. Rubber gloves and non-skid footwear are recommended when working outdoors. Wear protective hair covering to contain long hair.
- **USE SAFETY GLASSES.** Also use face or dust mask if operation is dusty.
- **DON'T ABUSE CORD.** Never carry tool by cord or yank it to disconnect from receptacle. Keep cord from heat, oil, and sharp edges.
- **SECURE WORK.** Use clamps or a vise to hold work. It's safer than using your hand and it frees both hands to operate tool.
- **DON'T OVERREACH.** Keep proper footing and balance at all times.
- **MAINTAIN TOOLS WITH CARE.** Keep tools sharp and clean for better and safer performance. Follow instructions for lubricating

and changing accessories. Inspect tool cords periodically and if damaged, have repaired by authorized service facility. Inspect extension cords periodically and replace if damaged. Keep handles dry, clean, and free from oil and grease.

- **DISCONNECT OR LOCK OFF TOOLS** when not in use, before servicing, and when changing accessories, such as blades, bits, cutters.
- **REMOVE ADJUSTING KEYS AND WRENCHES.** Form habit of checking to see that keys and adjusting wrenches are removed from tool before turning it on.
- **AVOID UNINTENTIONAL STARTING.** Don't carry tool with finger on switch. Be sure switch is off when plugging in.
- **EXTENSION CORDS.** Use only 3-wire extension cords that have 3-prong grounding-type plugs and 3-pole receptacles that accept the tool's plug. Replace or repair damaged cords. Make sure your extension cord is in good condition. When using an extension cord, be sure to use one heavy enough to carry the current your product will draw. An undersized cord will cause a drop in line voltage resulting in loss of power and overheating. The following table shows the correct size to use depending on cord length and nameplate ampere rating. If in doubt, use the next heavier gage. The smaller the gage number, the heavier the cord.

Volts		Minimum Gage for Cord Sets				
		Total Length of Cord in Feet				
		0-25	26-50	51-100	101-150	
240V		0-50	51-100	101-200	201-300	
Ampere Rating		AWG				
More Than	Not more Than					
0	-	6	18	16	16	14
6	-	10	18	16	14	12
10	-	12	16	16	14	12
12	-	16	14	12	Not Recommended	

- **OUTDOOR USE EXTENSION CORDS.** When tool is used outdoors, use only extension cords intended for use outdoors and so marked.

- **STAY ALERT.** Watch what you are doing. Use common sense. Do not operate tool when you are tired.
- **CHECK DAMAGED PARTS.** Before further use of the tool, a guard or other part that is damaged should be carefully checked to determine that it will operate properly and perform its intended function. Check for alignment of moving parts, binding of moving parts, breakage of parts, mounting, and any other conditions that may affect its operation. A guard or other part that is damaged should be properly repaired or replaced by an authorized service center unless otherwise indicated elsewhere in this instruction manual. Have defective switches replaced by authorized service center. Do not use tool if switch does not turn it on and off.

### Additional Safety Instructions for Grinders

- **ALWAYS USE GUARDS AND EYE SHIELDS. WHEN GRINDING, ALWAYS KEEP GUARDS IN PLACE.**
- Use only grinding wheels having a maximum operating speed at least high as "No Load RPM" marked on the tool's nameplate.
- Before using, inspect recommended accessory for cracks or flaws. If such a crack or flaw is evident, discard the accessory. **DO NOT USE A GRINDING WHEEL THAT IS CRACKED OR FLAWED IN ANY WAY.**
- When starting the tool, let it run for one minute. Never start the tool with a person in line with the wheel. This includes the operator.
- Do not grind on the sides of grinding wheels unless they are specifically designed for that purpose.
- Do not overtighten wheel clamp nut. This may crack the grinding wheel.
- Clean the cavity around the grinding wheel periodically.
- **CAUTION:** Some wood contains preservatives such as copper chromium arsenate (CCA) which can be toxic. When sanding these materials extra care should be taken to avoid inhalation and minimize skin contact.

## SAVE THESE INSTRUCTIONS

### Motor

Be sure your power supply agrees with the nameplate marking. 120 Volts, 50/60 Hz means alternating current only should be used to operate this tool. A power decrease of more than 10% will cause loss of power and overheating. All DeWalt tools are factory tested; if this tool does not operate, check the power supply

### Bench Mounting

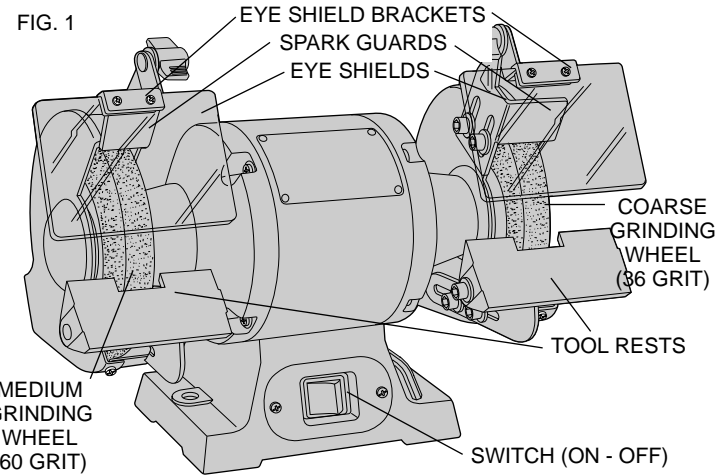
1. The grinder should be unplugged.
2. Remove the drilling template from this manual (pg. 5) and place it in position of the bench. Check for the availability of power for the grinder. Tape the template to the bench.
3. Using a center punch, transfer the hole centers for drilling.
4. Drill appropriate sized holes.
5. Insert 1/4" (6mm) Hex head bolts through washers and the holes. You may want to use washers on the underside of the bench as well.
6. Tighten the nuts. Do not overtighten. Allow the rubber feet to absorb the vibration when the grinder is running.

### Installing Tool Rests

TURN OFF POWER AND DISCONNECT FROM POWER SUPPLY. Your grinder includes a hex wrench, attached to the right of the On/Off switch. Use this wrench when installing the tool rest brackets, tool rest and eye shield brackets.

First install the tool rest brackets, as shown in Fig. 2. Next attach the tool rests. Use the bolts, washers, spacers and lock nuts from the plastic bag to secure the brackets and tool rests in place.

**NOTE:** There is a left and right tool rest. When in actual use, the tool rests should be adjusted to within 1/8" of the grinding wheel or other accessory being used.

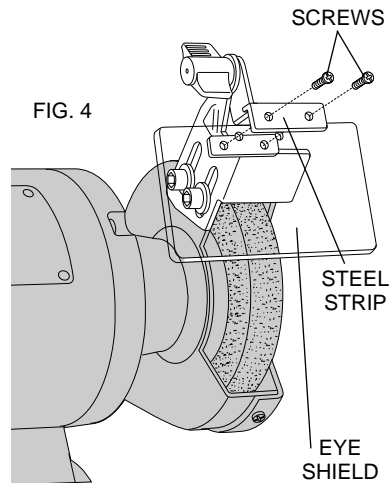
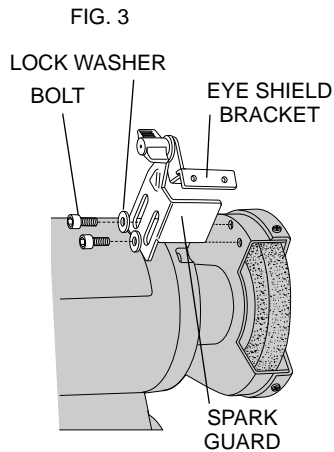
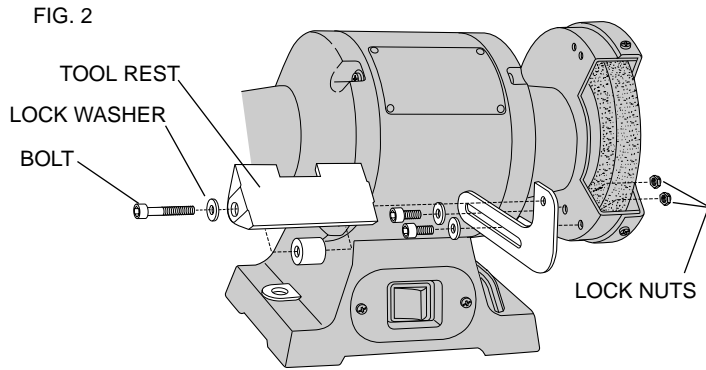


**DW756** - 6" Bench Grinder 1/2"(13mm) Arbor, 3450 RPM  
**DW758** - 8" Heavy Duty Bench Grinder 5/8"(16mm) Arbor, 3600 RPM

### Installing Spark Guards and Eye Shield Brackets

TURN OFF TOOL AND DISCONNECT FROM POWER SUPPLY

The combination spark guard and eye shield brackets are assembled and in a plastic bag. They are identified L for left and R for right. Refer to Figure 3 to install them to the bench grinder using the two screws in the wheel guard (in some cases these screws will be in the plastic bag). Adjust the edge of the spark guard to within 1/16" of the grinding wheel or other accessory as shown in the figure. Tighten the two screws securely.



### Installing Eye Shields

TURN OFF TOOL AND DISCONNECT FROM POWER SUPPLY.

Remove the steel strip from the top surface of each eye shield by removing the two screws. Install the shields, (they are identical and will fit either side) to the brackets, as shown in Fig. 4. Tighten screws securely. Adjust eye shields so they are between the wheels and your eyes.

EYE SHIELDS ARE NOT DESIGNED TO REPLACE SAFETY GLASSES.

Tighten the shields in place by tightening the plastic knob in the bracket assembly. Remove protective paper cover.

### Operation

NEVER USE A BENCH GRINDER IF IT IS NOT FIRMLY FASTENED TO A WORK BENCH OR RIGID FRAME. Before turning the grinder on, put on safety glasses. Turn on the grinder and allow it to reach full speed (3450 RPM - DW756, 3600 RPM - DW758). Hold the workpiece firmly and against the tool rest. Hold very small pieces with pliers or other suitable clamps. Feed the work smoothly and evenly into the grinding wheel. Move the work slowly and avoid jamming the work against the wheel. As the wheel tends to slow down you should occasionally release the pressure to let the wheel return to full speed.

Grind only on the face of the grinding wheel and never on the side. (Some wheels are designed for side grinding and will say so on their instruction sheets).

**CAUTION:** Prolonged grinding will cause most materials to become hot. Handle them with pliers or thick gloves.

### Switch

The switch is located on the front of the grinder, on the base. (Figure 1) To turn the tool on depress the side of the rocker switch on the left side, marked "ON". To turn off the grinder, depress the right side of the rocker switch, marked "OFF".

## Installing Tool Rests

### TURN OFF AND UNPLUG THE BENCH GRINDER

Remove the tool rests from the packing and install as shown in Figure 2. Use the washers and screws supplied.

**CAUTION:** Longer screws may interfere with the movement of the grinding wheel.

## Maintenance

### CLEANING

Blowing dust and grit out of the motor housing using compressed air is a necessary regular maintenance procedure. Dust and grit containing metal particles often accumulate on interior surfaces and could create an electrical shock hazard if not frequently cleaned out. ALWAYS WEAR SAFETY GLASSES.

**CAUTION:** Never use solvents or other harsh chemicals for cleaning the non-metallic parts of the tool. Use clean, dry rag only.

### LUBRICATION

DeWALT tools are properly lubricated at the factory and are ready for use. Tools should be relubricated regularly every sixty days to six months, depending on usage. (Tools used constantly on production or heavy-duty jobs and tools exposed to heat may require more frequent lubrication.) This lubrication should only be attempted by trained power tool repair persons, such as those at DeWALT service centers or in other qualified service organizations.

## Accessories

Recommended accessories for use with your tool are available at extra cost from your distributor or local service center.

Grinding wheels must fit within the confines of the guard and must be rated higher than the recommended speed as marked on the nameplate.

Recommended accessories for use with your tool are available at extra cost from your distributor or local service center.

**CAUTION:** Strands of wire cup brushes may break and fly off while in use. Users and others in the area should wear adequate eye, face and body protection. Use only wire cup brushes that are rated at or greater than the RPM shown on the tool's nameplate.

**WARNING:** To reduce the risk of injury, always use proper guards when grinding and wear eye protection.

**CAUTION:** The use of any non-recommended accessory may be hazardous.

## Changing Accessories

TURN OFF THE TOOL AND DISCONNECT FROM POWER SUPPLY.

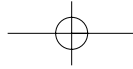
CHANGE ACCESSORIES WHEN THE SPARK GUARD CAN NO LONGER BE ADJUSTED TO 1/16" FROM THE WHEEL.

**DW756** - USE ONLY WHEELS THAT MEASURE 6" IN DIAMETER. THIS TOOL HAS 1/2" ARBORS ON EACH SIDE.

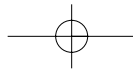
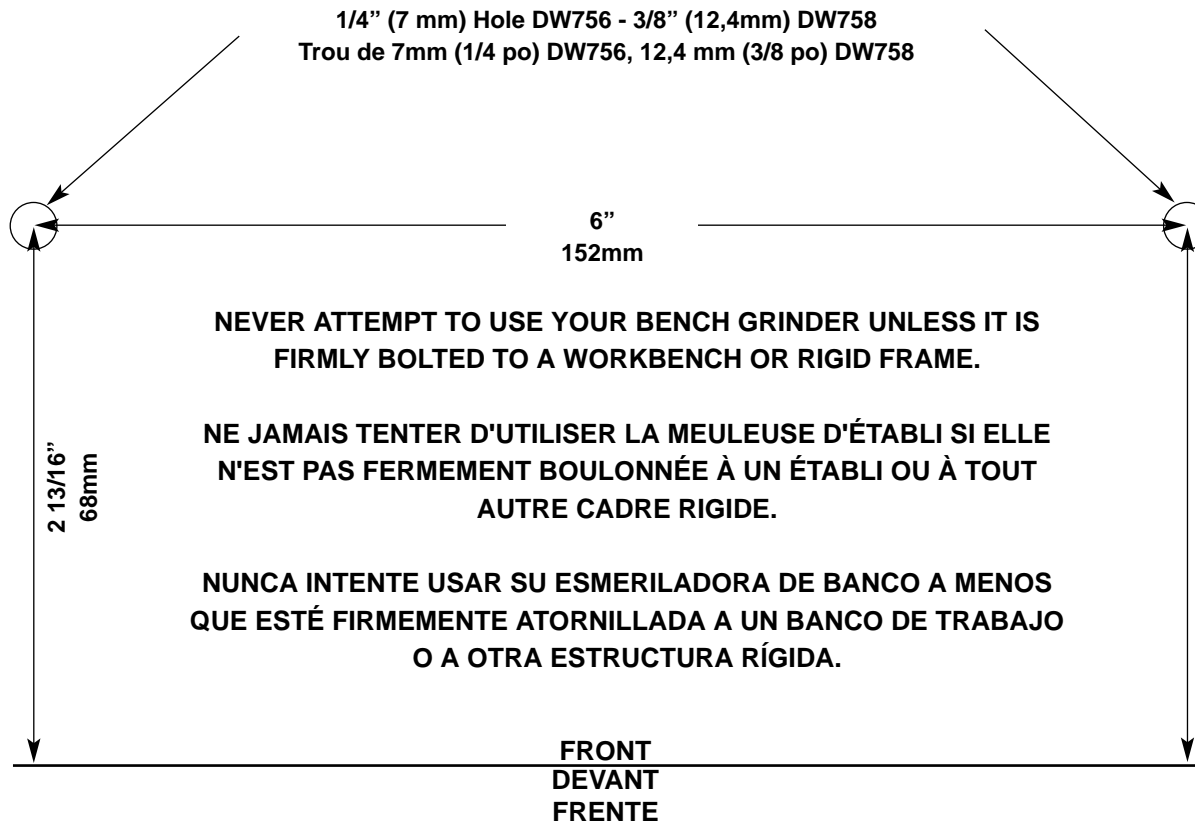
**DW758** - USE ONLY WHEELS THAT MEASURE 8" IN DIAMETER. THIS TOOL HAS 5/8" ARBORS ON EACH SIDE.

Follow the steps below to remove and replace an accessory.

1. Raise the eye shield.
2. Loosen and pull the tool rest out as far as possible. Do not remove it.
3. Loosen and pull the spark guard out as far as possible, Do not remove it.
4. Remove the screws from the side cover and remove cover.
5. Using hex or adjustable wrenches, grasp the two hex nuts holding the wheels to the arbor shaft at each end of the tool. To remove the wheel from the left turn the hex nut clockwise while holding the other stationary.
6. Remove the wheel washer and the wheel.



**CUT ALONG THIS LINE**  
**DÉCOUPER LE LONG DU POINTILLÉ**  
**CORTE A LO LARGO DE ESTA LÍNEA**





English

OUTPUT THIS PAGE BLANK

7. Inspect the wheel for cracks, chips or any other visible damage (other than normal wear) and discard if such damage is found. Inspect the blotter for damage. If the blotter is missing or severely damaged, replace it with a piece of thin cardboard or blotter paper cut to the same size. NEVER USE A WHEEL WITHOUT A BLOTTER.
8. Install the new wheel or other accessory. Be sure that both wheel washers are in place (concave side toward the wheel) See Fig. 5. For the DW756 see Fig 5 and 6.

FIG.5

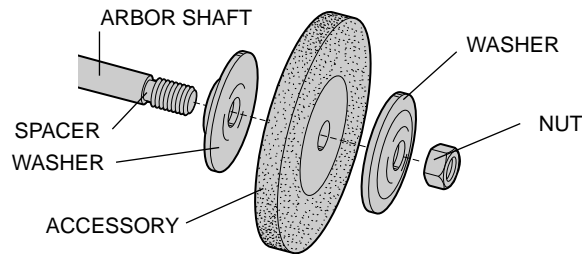
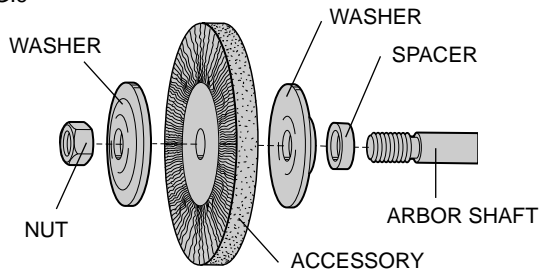


FIG.6



9. Hold as before and tighten the nut firmly but do not overtighten. Overtightening can crack a grinding wheel.
10. Replace the wheel cover and its screws.
11. Adjust the spark guard to 1/16" from the wheel tighten securely.
12. Adjust the tool rest to 1/8" from the wheel and tighten securely.
13. Adjust the eye shield to a point between your eyes and the wheel. The bench grinder is now ready for use.
14. Follow the above steps to install buffering wheels and wire wheel brushes as well as grinding wheels.

**Important!**

To assure product safety and reliability, repairs, maintenance and adjustment should be performed by DeWalt (U.S.) Inc. Industrial Service Centers or other qualified service organizations. These service organizations service DeWalt tools always using DeWalt replacement parts.

**Full Warranty**

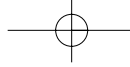
DeWALT heavy duty industrial tools are warranted for one year from date of purchase. We will repair, without charge, any defects due to faulty materials or workmanship. For warranty repair information, call 1-800-4-DeWALT. This warranty does not apply to accessories or damage caused where repairs have been made or attempted by others. This warranty gives you specific legal rights and you may have other rights which vary in certain states or provinces.

In addition to the warranty, DeWALT tools are covered by our:

**30 DAY NO RISK SATISFACTION GUARANTEE**

If you are not completely satisfied with the performance of your DeWALT heavy duty industrial tool, simply return it to the participating seller within 30 days for a full refund. Please return the complete unit, transportation prepaid. Proof of purchase may be required.

English



English

### **DW756**

#### **GRINDING WHEELS**

#### **MAX. SAFE SPEED**

5/8" Face, 6" dia. 60 grit medium grinding wheel	4136 RPM
3/4" Face, 6" dia. 60 grit medium grinding wheel	4136 RPM
5.8" Face, 6" dia. 36 grit coarse grinding wheel	4136 RPM
1/2" Face, 6" dia. 60 grit medium grinding wheel	3825 RPM

#### **BUFFING WHEELS**

5/8" Face, 6" dia. cotton buffing wheel	3600 RPM
---	----------

#### **WIRE WHEEL BRUSHES**

1/2" arbor, 5/8" Face, 6" dia.	3600 RPM
--------------------------------	----------

### **DW758**

#### **GRINDING WHEELS**

#### **MAX. SAFE SPEED**

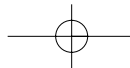
7/8" & 1" Face, 8" dia. 60 grit medium grinding wheel	3600 RPM
7/8" & 1" Face, 8" dia. 36 grit coarse grinding wheel	3600 RPM

#### **BUFFING WHEEL**

5/8" arbor, 8" dia. cotton buffing wheel	3600 RPM
--	----------

#### **WIRE WHEEL BRUSHES**

5/8" arbor, 5/8"-1 1/4" Face, 8" dia.	3600 RPM
---------------------------------------	----------



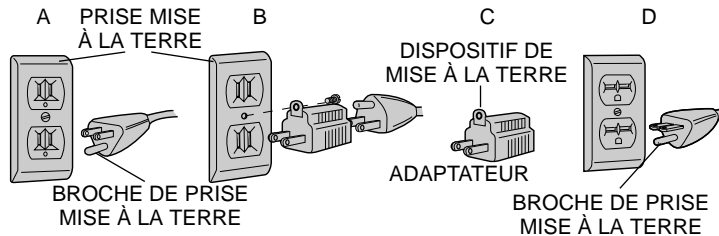
### Importantes mesures de sécurité

**⚠ AVERTISSEMENT** : Afin de réduire les risques d'incendie, de secousses électriques ou de blessures lorsqu'on utilise des outils électriques, il faut toujours respecter les mesures de sécurité suivantes.

#### LIRE TOUTES LES DIRECTIVES.

#### Mise à la terre

L'outil devrait être mis à la terre lors de son utilisation afin de protéger l'utilisateur contre les risques de secousses électriques. L'outil est doté d'un cordon trifilaire et d'une fiche à trois broches de type mis à la terre qui s'insère dans une prise mise à la terre. Le conducteur vert (ou vert et jaune) du cordon est le fil de mise à la terre. Ne jamais raccorder le fil vert (ou vert et jaune) à une borne sous tension. Lorsque l'outil est conçu pour recevoir une alimentation de moins de 150 volts, il est doté d'une fiche semblable à celle illustrée à la figure A. Lorsque l'outil est conçu pour recevoir une alimentation variant entre 150 et 250 volts, il est doté d'une fiche semblable à celle illustrée à la figure D. On peut se procurer un adaptateur (fig. B et C) pour brancher une fiche semblable à celle de la figure A dans des prises à deux orifices. Il faut alors relier la tige, la cosse ou le dispositif similaire de couleur verte à une mise à la terre permanente (comme une prise bien mise à la terre). Il n'y a pas d'adaptateur pour la fiche illustrée à la figure D. l'adaptateur illustré aux figures b et c ne peut pas être utilisé au Canada.



### Mesures de sécurité pour tous les outils

- **BIEN DÉGAGER LA SURFACE DE TRAVAIL.** Des surfaces et des établis encombrés peuvent être la cause de blessures.
- **TENIR COMPTE DU MILIEU DE TRAVAIL.** Protéger les outils électriques de la pluie. Ne pas s'en servir dans des endroits humides ou mouillés. Bien éclairer la surface de travail. Ne pas se servir de l'outil en présence de liquides ou de vapeurs inflammables.
- **SE PROTÉGER CONTRE LES SECOUSSES ÉLECTRIQUES.** Éviter tout contact avec des objets mis à la terre, comme des tuyaux, radiateurs, cuisinières, réfrigérateurs et autres objets du genre.
- **ÉLOIGNER LES ENFANTS.** Tous les visiteurs doivent être tenus à l'écart de l'aire de travail et il faut les empêcher de toucher à l'outil ou au cordon de rallonge.
- **RANGER LES OUTILS INUTILISÉS.** Il faut ranger les outils dans un endroit sec, situé en hauteur ou fermé à clé, hors de la portée des enfants.
- **NE JAMAIS FORCER L'OUTIL.** Afin d'obtenir un rendement sûr et efficace, utiliser l'outil à son rendement nominal.
- **UTILISER L'OUTIL APPROPRIÉ.** Ne jamais exiger d'un petit outil ou d'un accessoire le rendement d'un outil de fabrication plus robuste. Se servir de l'outil selon l'usage prévu.
- **PORTER DES VÊTEMENTS APPROPRIÉS.** Éviter de porter des vêtements amples et des bijoux qui peuvent être happés par les pièces en mouvement. Porter des gants de caoutchouc et des chaussures à semelle antidérapante pour travailler à l'extérieur. Protéger la chevelure si elle est longue.
- **PORTER DES LUNETTES DE SÉCURITÉ.** Porter également un masque respiratoire si le travail de coupe produit de la poussière.
- **NE PAS MANIPULER LE CORDON DE FAÇON ABUSIVE.** Ne pas transporter l'outil par le cordon ni tirer sur ce dernier pour le débrancher de la prise. Éloigner le cordon des sources de chaleur, des flaques d'huile et des arêtes tranchantes.

- **ASSUJETTIR LA PIÈCE.** Immobiliser la pièce à l'aide de brides ou d'un étau. On peut alors se servir des deux mains pour faire fonctionner l'outil, ce qui est plus sûr.
- **NE PAS DÉPASSER SA PORTÉE.** Toujours demeurer dans une position stable et garder son équilibre.
- **PRENDRE SOIN DES OUTILS.** Conserver les outils propres et affûtés pour qu'ils donnent un rendement supérieur et sûr. Suivre les directives concernant la lubrification et le remplacement des accessoires. Inspecter régulièrement le cordon de l'outil et le faire réparer au besoin à un atelier d'entretien autorisé. Inspecter régulièrement les cordons de rallonge et les remplacer lorsqu'ils sont endommagés. S'assurer que les poignées sont toujours propres, sèches et libres de toute tache d'huile ou de graisse.
- **DÉBRANCHER OU VERROUILLER EN POSITION HORS TENSION LES OUTILS NON UTILISÉS.** Respecter cette mesure lorsqu'on ne se sert pas de l'outil, ou qu'on doit le réparer ou en changer un accessoire (comme une lame, un foret ou un couteau).
- **ENLEVER LES CLÉS DE RÉGLAGE.** Prendre l'habitude de vérifier si les clés de réglage ont été retirées avant de faire démarrer l'outil.
- **ÉVITER LES DÉMARRAGES ACCIDENTELS.** Ne pas laisser le doigt sur l'interrupteur lorsqu'on transporte l'outil. S'assurer que l'interrupteur est à la position hors circuit lorsqu'on branche l'outil.
- **Cordons de rallonge.** Utiliser seulement des cordons de rallonge trifilaires ayant une fiche à 3 broches ainsi qu'une prise à 3 trous acceptant la fiche de l'outil. Remplacer ou réparer les cordons de rallonge endommagés. S'assurer que le cordon de rallonge est en bon état. Lorsqu'on se sert d'un cordon de rallonge, s'assurer qu'il est de calibre approprié pour la tension nécessaire au fonctionnement de l'outil. L'utilisation d'un cordon de calibre inférieur occasionne une baisse de tension entraînant une perte de puissance et la surchauffe. Le tableau suivant indique le calibre approprié selon la longueur du cordon et les mentions de la plaque signalétique de l'outil. En cas de doute, utiliser un cordon de

calibre supérieur. Le chiffre indiquant le calibre est inversement proportionnel au calibre du cordon.

#### Calibre minimal des cordons de rallonge

Tension	Longueur totale du cordon en pieds			
120 V	0-25	26-50	51-100	101-150
240 V	0-50	51-100	101-200	201-300

#### Intensité (A)

Au moins	Au plus	Calibre moyen de fil (AWG)		
0 - 6	18	16	16	14
6 - 10	18	16	14	12
10-12	16	16	14	12
12-16	14	12	Non recommandé	

- **CORDONS DE RALLONGE PRÉVUS POUR L'EXTÉRIEUR.** Lorsque l'outil est utilisé à l'extérieur, ne se servir que d'un cordon de rallonge conçu pour l'extérieur et portant la mention appropriée.
- **DEMEURER VIGILANT.** Travailler avec vigilance et faire preuve de bon sens. Ne pas se servir de l'outil lorsqu'on est fatigué.
- **VÉRIFIER LES PIÈCES ENDOMMAGÉES.** Avant de continuer à utiliser l'outil, il faut vérifier si le protecteur ou toute autre pièce endommagée remplit bien la fonction pour laquelle il a été prévu. Vérifier l'alignement et les attaches des pièces mobiles, le degré d'usure des pièces et leur montage, ainsi que tout autre facteur susceptible de nuire au bon fonctionnement de l'outil. Faire réparer ou remplacer tout protecteur ou toute autre pièce endommagée dans un centre de service autorisé, sauf si le présent guide fait mention d'un avis contraire. Confier le remplacement de tout interrupteur défectueux à un centre de service autorisé. Ne jamais se servir d'un outil dont l'interrupteur est défectueux.

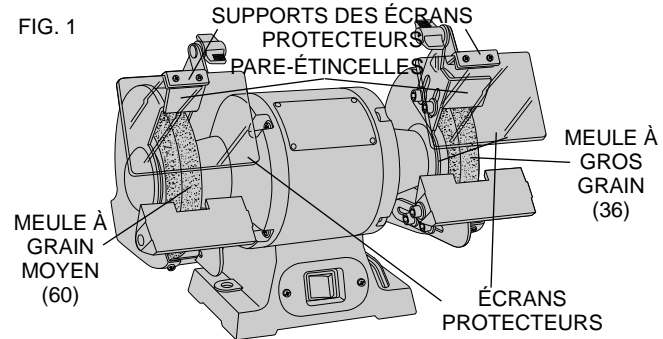
### Mesures de sécurité additionnelles relatives aux meuleuses

- **TOUJOURS UTILISER LES PROTECTEURS. LORS DU MEULAGE, TOUJOURS S'ASSURER QUE LES PROTECTEURS SONT EN PLACE.**
  - Utiliser seulement des meules dont le régime maximal équivaut au moins au régime à vide indiqué sur la plaque signalétique de l'outil.
  - Avant d'utiliser un accessoire recommandé, vérifier s'il ne renferme aucune fêlure ni défaut. Le cas échéant, jeter l'accessoire. **NE PAS SE SERVIR D'UNE MEULE QUI PORTE DES TRACES DE FÊLURES OU DE DÉFAUTS.**
  - Au moment du démarrage de l'outil, le laisser fonctionner pendant une minute. Ne jamais mettre l'outil en marche lorsqu'une personne (y compris l'utilisateur) se trouve dans la trajectoire de la meule.
  - Ne jamais meuler à l'aide des côtés de la meule, sauf si celle-ci est conçue à cet effet.
  - Éviter de trop serrer l'écrou de la meule au risque de la faire craquer.
  - Nettoyer régulièrement le creux autour de la meule.
- ⚠ **MISE EN GARDE** : Certaines essences de bois renferment des agents de conservation (comme de l'arséniate de cuivre et de chrome) qui peuvent être toxiques. Lorsqu'on doit poncer de tels matériaux, prendre des mesures supplémentaires afin d'éviter d'inhaler les vapeurs toxiques et de minimiser les contacts avec la peau.

### CONSERVER CES MESURES.

#### Moteur

Veiller à ce que la tension d'alimentation soit conforme aux exigences de la plaque signalétique de l'outil. La mention «120 volts, 60 Hz» signifie que l'outil fonctionne seulement sur du courant



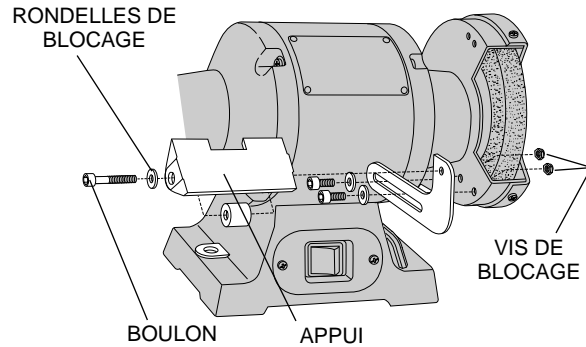
DW756 - Meuleuse d'établi de 152 mm (6 po) à arbre de 13 mm (1/2 po), 3 450 trs/min  
 DW758 - Meuleuse d'établi de 200 mm (8 po) de service intensif à arbre de 16 mm (5/8 po), 3 600 trs/min

alternatif. Une baisse de tension de plus de 10 p. 100 entraîne une perte de puissance et la surchauffe. Tous les outils DeWalt sont essayés avant de quitter l'usine. Lorsque celui-ci refuse de fonctionner, vérifier l'alimentation.

#### Montage sur établi

1. Il faut débrancher la meuleuse.
2. Détacher le modèle de perçage du présent guide (p. 5) et le placer sur l'établi. S'assurer d'une source d'alimentation pour l'outil. Fixer le modèle à l'établi à l'aide de ruban adhésif.
3. Avec un poinçon, marquer le centre des trous à percer.
4. Percer des trous de dimensions appropriées.
5. Insérer des boulons à tête hexagonale de 6 mm (1/4 po) dans les trous et les rondelles. On peut également utiliser des rondelles sur la face inférieure de l'établi.
6. Serrer les écrous; éviter de trop les serrer. Les pattes de caoutchouc doivent absorber les vibrations lorsque la meuleuse fonctionne.

FIG. 2



### Installation des appuis

METTRE LA MEULEUSE D'ÉTABLI HORS TENSION ET LA DÉBRANCHER.

L'emballage comprend une clé hexagonale fixée à la droite de l'interrupteur. S'en servir lors de l'installation des supports des appuis, des appuis et des supports des écrans protecteurs.

Il faut d'abord installer les supports des appuis (fig. 2). Puis, installer les appuis. Se servir des boulons, des rondelles, de vis de blocage et des cales qui se trouvent dans le sac de plastique pour fixer les supports et les appuis en place.

**NOTE** : Il y a un appui droit et un gauche. Lorsqu'on se sert de l'outil, il faut régler les appuis de sorte qu'ils soient à 3 mm (1/8 po) de la meule ou de tout autre accessoire utilisé.

### Installation des pare-étincelles et des écrans protecteurs

METTRE LA MEULEUSE D'ÉTABLI HORS TENSION ET LA DÉBRANCHER.

Les pare-étincelles et les écrans protecteurs sont assemblés et ils se trouvent dans le sac en plastique de l'emballage. Ils portent respectivement les mentions «L» pour gauche et «R» pour droite. Consulter la figure 3 afin de les installer à la meuleuse d'établi à l'aide des deux vis du protecteur (dans certains cas, ces vis se trouvent dans le sac en plastique). Régler le rebord du pare-étincelles à 1,6 mm (1/16 po) de la meule ou de tout autre accessoire illustré. Bien serrer les deux vis.

### Installation des écrans protecteurs

METTRE LA MEULEUSE D'ÉTABLI HORS TENSION ET LA DÉBRANCHER.

Retirer la bande d'acier du dessus de chaque écran protecteur en enlevant les deux vis. Installer les écrans protecteurs (ils sont identiques et ils vont d'un côté ou de l'autre) sur les supports (fig.

Français

FIG. 3

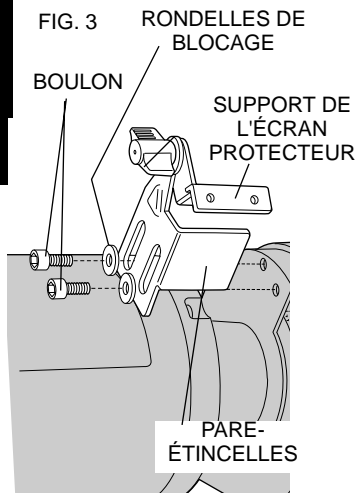
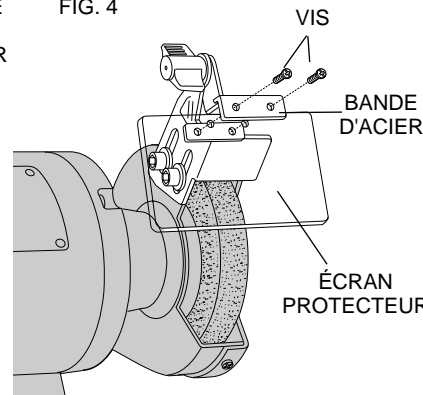


FIG. 4



4). Bien serrer les vis. Régler les écrans protecteurs de sorte qu'ils soient entre les meules et les yeux de l'utilisateur.

**LES ÉCRANS PROTECTEUR NE SONT PAS CONÇUS POUR REMPLACER LES LUNETTES DE SÉCURITÉ.**

Serrer les écrans protecteurs en place en serrant les boutons de plastique du support. Retirer le papier protecteur.

### Fonctionnement

**NE JAMAIS SE SERVIR D'UNE MEULEUSE QUI N'EST PAS BIEN FIXÉE À UN ÉTABLI OU À TOUT AUTRE CADRE RIGIDE.** Avant de démarrer l'outil, mettre des lunettes de sécurité. Mettre l'outil en marche et attendre son régime nominal (3 450 trs/min dans le cas du modèle DW756 et 3 600 trs/min pour le modèle DW758). Saisir fermement la pièce à ouvrir et bien l'appuyer contre l'appui. Utiliser des pinces appropriées pour retenir de très petites pièces. Alimenter uniformément la pièce contre le meule. Déplacer lentement la pièce et éviter de la bloquer contre le meule. Lorsque la meule ralentit, exercer une pression moins forte contre celle-ci afin de la laisser revenir à son régime nominal.

Se servir seulement de la face de la meule, jamais les côtés. (Certaines meules sont conçues pour meuler sur les côtés et cela est indiqué sur les consignes qui les accompagnent.)

**⚠ MISE EN GARDE :** Le meulage prolongé fait chauffer la plupart des matériaux. Les manipuler avec des pinces ou des gants épais.

### Interrupteur

L'interrupteur se trouve à l'avant de l'outil, sur le socle (fig. 1). Pour mettre l'outil en marche, enfoncer le côté gauche de l'interrupteur à bascule portant la mention ON. Pour arrêter l'outil, enfoncer le côté droit de l'interrupteur à bascule portant la mention OFF.

### Installation des appuis

**METTRE LA MEULEUSE D'ÉTABLI HORS TENSION ET LA DÉBRANCHER.**

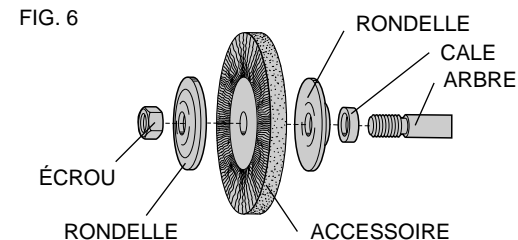
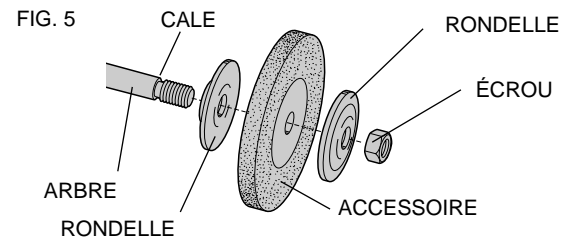
Retirer les appuis de l'emballage et les installer de la façon illustrée à la figure 2. Utiliser les rondelles et les vis fournies.

**⚠ MISE EN GARDE :** Des vis trop longues peuvent nuire au fonctionnement de la meule.

### Entretien

#### NETTOYAGE

Il faut nettoyer régulièrement le carter du moteur à l'air comprimé afin d'en chasser la poussière et les saletés. De la poussière et des saletés renfermant des particules métalliques s'accumulent souvent à l'intérieur de l'outil, ce qui présente un risque de secousses électriques si on ne nettoie pas cette accumulation. **TOUJOURS PORTER DES LUNETTES DE SÉCURITÉ.**





**⚠ MISE EN GARDE** : Ne jamais nettoyer les parties non métalliques de l'outil avec des solvants ni tout autre produit chimique abrasif. Utiliser seulement un chiffon propre et sec.

### Lubrification

Les outils DeWALT sont bien lubrifiés en usine et ils sont prêts à servir. Il faut lubrifier les engrenages à intervalles de 60 jours à 6 mois, selon le degré d'utilisation de l'outil. (Il peut être nécessaire de lubrifier plus souvent des outils constamment utilisés sur des chantiers ou utilisés pour des travaux de service intensif ou encore exposés à la chaleur.) Il faut confier ces travaux aux techniciens qualifiés des centres de service de produits DeWalt.

### Accessoires

Les accessoires recommandés pour l'outil sont vendus séparément chez les détaillants et au centre de service de la région.

La meule doit s'insérer dans le protecteur et sa vitesse nominale doit être supérieure à celle indiquée sur la plaque signalétique de l'outil.

Les accessoires recommandés pour l'outil sont vendus séparément chez les détaillants et au centre de service de la région.

**⚠ MISE EN GARDE** : Des fils métalliques peuvent se détacher des brosses métalliques et être projetés dans les air lors de l'utilisation. L'utilisateur et les observateurs doivent donc porter des lunettes de sécurité et tout autre équipement de protection pour le corps et le visage. Utiliser seulement des brosses métalliques dont le régime nominal est supérieur à celui indiqué sur la plaque signalétique de l'outil.

**⚠ AVERTISSEMENT** : Afin de minimiser les risques de blessures, toujours utiliser les protecteurs appropriés et porter des lunettes de sécurité.

**⚠ MISE EN GARDE** : L'utilisation de tout accessoire non recommandé peut être dangereuse.

### Remplacement des accessoires

METTRE LA MEULEUSE D'ÉTABLI HORS TENSION ET LA DÉBRANCHER.

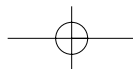
REPLACER LES ACCESSOIRES LORSQUE LE PARE-ÉTINCELLES NE PEUT PLUS ÊTRE RÉGLÉ À 1,6 mm (1/16 po) DE LA MEULE.

**Modèle DW756** - UTILISER SEULEMENT DES MEULES DE 152 mm (6 po) DE DIAMÈTRE. L'OUTIL EST DOTÉ D'UN ARBRE DE 13 mm (1/2 po) à chaque extrémité.

**Modèle DW758** - UTILISER SEULEMENT DES MEULES DE XX mm (8 po) DE DIAMÈTRE. L'OUTIL EST DOTÉ D'UN ARBRE DE 16 mm (5/8 po) à chaque extrémité.

Faire ce qui suit pour retirer et remplacer un accessoire.

1. Soulever l'écran protecteur.
2. Desserrer l'appui et le sortir au maximum de l'outil. Ne pas le retirer.
3. Desserrer le pare-étincelles et le sortir au maximum de l'outil. Ne pas le retirer.
4. Retirer les vis qui se trouvent sur le couvercle latéral, puis enlever le couvercle.
5. À l'aide d'une clé hexagonale ou réglable, saisir les deux écrous hexagonaux retenant les meules à l'arbre à chaque extrémité de l'outil. Pour enlever la meule gauche, faire tourner l'écrou hexagonal dans le sens horaire tout en immobilisant l'autre écrou.
6. Enlever la rondelle de la meule et la meule.
7. Inspecter la meule afin d'en déceler les fêlures, les accrocs ou tout autre dommage visible (autre que ceux dus à l'usure normale). Jeter les meules endommagées. Vérifier si les buvards sont endommagés. Lorsqu'il en manque ou lorsqu'ils sont très endommagés, les remplacer par des morceaux de carton mince ou de papier buvard découpé dans la même forme. **NE JAMAIS UTILISER UNE MEULE SANS BUVARD.**



## MODÉLE DW756

MEULES	VITESSE NOMINALE
Face de 15,8 mm (5/8 po), diam. de 152 mm (6 po), 60 grains	4 136 trs/min
Face de 19 mm (3/4 po), diam. de 152 mm (6 po), 60 grains	4 136 trs/min
Face de 15,8 mm (5/8 po), diam. de 152 mm (6 po), 36 grains	4 136 trs/min
Face de 13 mm (1/2 po), diam. de 152 mm (6 po), 60 grains	3 825 trs/min
<b>MEULES DE POLISSAGE</b>	
Face de 15,8 mm (5/8 po), diam. de 152 mm (6 po), coton	3 600 trs/min
<b>BROSSES MÉTALLIQUES</b>	
Arbre de XX mm (1/2 po), face de 15,8 mm (5/8 po), diam. de 152 mm (6 po)	3 600 trs/min

## MODÈLE DW758

MEULES	VITESSE NOMINALE
Face de 22 mm (7/8 po) et de 25 mm (1 po), diam. de 200 mm (8 po), 60 grains	3 600 trs/min
Face de 22 mm (7/8 po) et de 25 mm (1 po), diam. de 200 mm (8 po), 36 grains	3 600 trs/min
<b>MEULES DE POLISSAGE</b>	
Arbre de 16 mm (5/8 po), diam. de 200 mm (8 po), coton	3 600 trs/min
<b>BROSSES MÉTALLIQUES</b>	
Arbre de 16 mm (5/8 po), face de 16 mm (5/8 po) et de 32 mm (1/4 po), diam. de 200 mm (8 po)	3 600 trs/min

8. Installer la nouvelle meule ou tout autre accessoire. S'assurer que les deux rondelles de meule sont en place (côtés concaves vers la meule). Voir la figure 5. Dans le cas du modèle DW756, voir les figures 5 et 6.
9. Retenir à l'endroit approprié et visser l'écrou fermement sans trop le serrer. Un écrou trop serré peut faire craquer la meule.
10. Remettre le couvercle de la meule en place et réinstaller ses vis.
11. Régler le pare-étincelles à 1,6 mm (1/16 po) de la meule et bien le serrer.
12. Régler l'appui à 3 mm (1/8 po) de la meule et bien le serrer.
13. Régler l'écran protecteur de sorte qu'il se trouve entre les yeux de l'utilisateur et la meule. On peut alors se servir de la meuleuse d'établi.
14. Respecter les consignes précédentes pour installer des meules de polissage, des brosses métalliques et des meules.

### *Important!*

Pour assurer la SÉCURITÉ D'EMPLOI et la FIABILITÉ de l'outil, n'en confier la réparation, l'entretien et les rajustements qu'au personnel d'un centre de service DeWalt ou d'un atelier d'entretien autorisé n'utilisant que des pièces de rechange identiques.

### *Garantie complète*

Les outils industriels de service intensif DeWALT sont garantis pendant un an à partir de la date d'achat. Toute pièce d'un outil DeWALT qui s'avérerait défectueuse en raison d'un vice de matière ou de fabrication sera réparée ou remplacée sans frais. Pour obtenir de plus amples renseignements sur les réparations couvertes par la garantie, composer le 1 (800) 4-DeWALT (1 (800) 433-9258). La présente garantie ne couvre pas les accessoires ni les dommages causés par des réparations tentées ou effectuées par des tiers. Les modalités de la présente garantie donnent des droits légaux spécifiques. L'utilisateur peut également se prévaloir d'autres droits selon l'état ou la province qu'il habite.

En outre, la garantie suivante couvre les outils DeWALT.

### **GARANTIE DE SATISFACTION DE 30 JOURS OU ARGENT REMIS**

Si, pour quelque raison que ce soit, l'outil industriel de service intensif DeWalt ne donne pas entière satisfaction, il suffit de le retourner chez le marchand participant dans les 30 jours suivant la date d'achat afin d'obtenir un remboursement complet. Il faut retourner, port payé, l'outil complet. On peut exiger une preuve d'achat.

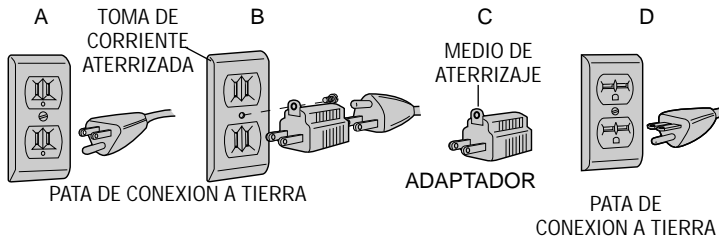
### Instrucciones importantes de seguridad

**⚠ ADVERTENCIA:** Es indispensable sujetarse a las precauciones básicas de seguridad, con la finalidad de reducir el peligro de incendio, choque eléctrico y lesiones personales, en todas las ocasiones en que se utilicen herramientas eléctricas. Entre estas precauciones se incluyen la siguientes:

#### LEA TODAS LAS INSTRUCCIONES

### Instrucciones de aterrizaje

Esta herramienta debe conectarse a tierra para proteger al operador de choques eléctricos. Esta unidad está equipada con un cordón eléctrico de tres hilos aprobado y una clavija para aterrizaje de tres patas para conectarse a la toma de corriente adecuada. El conductor verde (o verde y amarillo) es el cable de tierra. Nunca conecte el cable verde (o verde y amarillo) a una terminal viva. Si su unidad está hecha para funcionar con menos de 150 volts, tiene una clavija similar a la que se muestra en la figura A. Si es para usarse con corriente de 150 a 250 volts, tiene una clavija como la que se muestra en la figura D. Hay adaptadores, figuras B y C, para conectar clavijas del tipo de la figura A a tomas de corriente para dos patas. La oreja de color verde deberá conectarse a tierra permanente, tal como una toma de corriente aterrizada adecuadamente. No hay adaptadores para clavijas como la de la figura D. **EL ADAPTADOR MOSTRADO EN LAS FIGURAS B Y C NO ESTA HECHO PARA USARSE EN CANADÁ.**



### Instrucciones de seguridad para todas las herramientas

- **CONSERVE LIMPIA LA ZONA DE TRABAJO.** Las superficies y los bancos con objetos acumulados en desorden propician los accidentes.
- **OTORQUE PRIORIDAD A LA ZONA DE TRABAJO.** No deje las herramientas eléctricas expuestas a la lluvia. No las utilice en lugares inundados o mojados. Conserve bien iluminada la zona de trabajo. No utilice la herramienta en presencia de gases o líquidos inflamables.
- **PROTÉJASE CONTRA EL CHOQUE ELÉCTRICO.** Evite el contacto corporal con superficies aterrizadas, por ejemplo, tuberías, radiadores, antenas y gabinetes de refrigeración.
- **CONSERVE APARTADOS A LOS NIÑOS.** No permita que los visitantes toquen las herramientas o los cables de extensión. Los visitantes deben estar alejados de la zona de trabajo.
- **GUARDE LAS HERRAMIENTAS QUE NO EMPLEE.** Las herramientas que no se están utilizando deben guardarse en un lugar seco y elevado o bajo llave fuera del alcance de los niños.
- **NO FUERCE LA HERRAMIENTA.** Esta cumplirá su función mejor y con más seguridad bajo las especificaciones para las que se diseñó.
- **EMPLEE LA HERRAMIENTA ADECUADA.** No fuerce a una herramienta pequeña o a sus dispositivos de montaje en un trabajo de tipo pesado. No emplee la herramienta en una tarea para la que no se diseñó.
- **VÍSTASE DE LA MANERA ADECUADA.** No use ropas o artículos de joyería flojos, pues podrían quedar atrapados por las partes móviles de las herramientas. Se recomienda el empleo de guantes de caucho y calzado antiderrapante cuando se trabaje al aire libre. Cúbrase bien la cabeza para sujetarse el cabello si lo tiene largo.
- **COLÓQUESE ANTEOJOS DE SEGURIDAD.** Póngase también una mascarilla contra el polvo si lo produce la operación que va a efectuar.

**NO MALTRATE EL CABLE.** Nunca levante la herramienta tomándola por el cable, ni tire de éste para desconectarlo del enchufe. Apártelo del calor y los objetos calientes, las substancias grasosas y los bordes cortantes.

- **SUJETE LOS OBJETOS SOBRE LOS QUE TRABAJE.** Utilice prensas o tornillos de banco para sujetar los objetos sobre los que va a trabajar. Esto ofrece mayor seguridad que sujetar los objetos con la mano, y además deja libres ambas manos para operar la herramienta.
- **NO SE SOBREEXTIENDA.** Conserve en todo momento bien apoyados los pies, lo mismo que el equilibrio.
- **CUIDE SUS HERRAMIENTAS.** Conserve sus herramientas afiladas y limpias para que funcionen mejor y con mayor seguridad. Siga las instrucciones para lubricación y cambio de accesorios de su unidad. Revise periódicamente el cordón eléctrico y hágalo reparar o reemplazar por un centro de servicio si está dañado. Cambie los cordones de extensión si están dañados. Conserve las empuñaduras secas, limpias y libres de aceite y grasa.
- **DESCONECTE Y APAGUE LAS HERRAMIENTAS** cuando no las use, antes de darles servicio y cuando cambie accesorios, tales como discos, brocas y otros dispositivos de corte.
- **RETIRE LAS LLAVES DE AJUSTE Y DE TUERCAS.** Adquiera el hábito de asegurarse que se han retirado las llaves de ajuste de las herramientas antes de accionarlas.
- **EVITE QUE LA HERRAMIENTA SE ACCIONE ACCIDENTALMENTE.** Nunca sostenga una herramienta que está conectada con el dedo en el interruptor. Asegúrese que el interruptor está en posición de "apagado" antes de conectar la unidad.
- **CABLES DE EXTENSIÓN.** Solamente utilice extensiones de tres cables con clavijas de tres patas para conexión a tierra, y tomas de corriente con tres ranuras que acepten estas clavijas. **NO INTENTE REPARAR EL CORDÓN ELÉCTRICO.** Asegúrese que su extensión esté en buenas condiciones. Cuando utilice un

cordón de extensión, asegúrese de emplear uno con el calibre suficiente para soportar la corriente necesaria para su producto. Una extensión con calibre menor al necesario causará una caída en el voltaje de la línea, resultando en pérdida de potencia y sobrecalentamiento. El cuadro siguiente muestra los calibres correctos para usarse de acuerdo con la longitud de la extensión y el amperaje especificado. Si tiene dudas, utilice el calibre siguiente, más pesado. Cuanto más pequeño el número de calibre del alambre, mayor la capacidad del cable.

**CALIBRE MÍNIMO REQUERIDO (AWG) PARA CORDONES DE EXTENSIÓN**

Volt	LONGITUD TOTAL DEL CORDÓN DE EXTENSIÓN (METROS)			
	0 - 7.5	7.6 - 15.2	15.3 - 30.4	30.5 - 45.7
120 V	0 - 7.5	7.6 - 15.2	15.3 - 30.4	30.5 - 45.7
240 V	0 - 15.2	15.3 - 30.4	30.5 - 60.8	60.9 - 91.4

AMPERAJE EN LA PLACA DE IDENTIFICACIÓN					
Más	No más	Calibre promedio del alambre de			
0 -	6	18	16	16	14
6 -	10	18	16	14	12
10 -	12	16	16	14	12
12 -	16	14	12	No se recomienda	

- **CORDONES DE EXTENSIÓN PARA INTEMPERIE.** Cuando trabaje a la intemperie, utilice siempre cordones de extensión diseñados exclusivamente para esta finalidad.
- **NO SE DISTRAIGA.** Concéntrese en lo que está haciendo. Recurra al sentido común. No opere ninguna herramienta si se encuentra fatigado.
- **VERIFIQUE LAS PARTES DAÑADAS.** Antes de seguir empleando cualquier herramienta, es indispensable verificar con mucho cuidado que las guardas u otras partes dañadas puedan operar de la manera adecuada para cumplir con su función.

Verifique la alineación de las partes móviles, la firmeza con que deben encontrarse sujetas en sus montaduras, las partes rotas, las propias montaduras y cualesquiera otros detalles que pudieran afectar a la operación de la herramienta. Las guardas y las otras partes que se encuentren dañadas deberán repararse bien o cambiarse en un centro de servicio autorizado, a menos que se diga otra cosa en el manual del usuario. Haga que se cambien los interruptores dañados en un centro de servicio autorizado. No emplee ninguna herramienta que tenga inutilizado o estropeado el interruptor.

### Instrucciones adicionales de seguridad para esmeriladoras

- **UTILICE SIEMPRE LAS GUARDAS Y LAS CUBIERTAS PROTECTORAS. CONSERVE LAS GUARDAS EN SU SITIO SIEMPRE QUE ESMERILE.**
  - *Utilice únicamente piedras de esmeril cuya velocidad máxima de operación sea por lo menos tan alta como la velocidad sin carga marcada en la placa de identificación de la herramienta.*
  - *Antes de usar un accesorio recomendado, inspecciónelo en busca de cuarteaduras. Si tal cuarteadura es evidente, deseche el accesorio. POR NINGÚN MOTIVO UTILICE UNA PIEDRA DE ESMERIL CUARTEADA.*
  - *Al encender la herramienta, déjela funcionar durante un minuto. Nunca encienda la herramienta cuando haya personas paradas en línea con ella, incluyendo al propio operador.*
  - *No esmerile por los lados de las piedras de esmeril a menos que estén diseñadas específicamente para este propósito.*
  - *No apriete excesivamente la tuerca de fijación de la piedra, esto puede cuartearla.*
  - *Limpie la cavidad que circunda la piedra de esmeril periódicamente.*
- ⚠ PRECAUCIÓN:** Algunos tipos de madera contienen conservadores como el arsenato cúprico de cromo (CCA) que pueden ser tóxicos. Cuando lije estos materiales debe tener cuidado

para evitar la inhalación y minimizar el contacto de estas sustancias con la piel.

## CONSERVE ESTAS INSTRUCCIONES

### Motor

Asegúrese que su alimentación de corriente concuerde con la marca de la placa de identificación. 120 volts 60 Hz significa que solamente debe emplear corriente alterna para operar esta herramienta. Disminuciones en el voltaje mayores al 10% causarán pérdida de potencia y sobrecalentamiento. Todas las herramientas DeWALT se prueban en la fábrica; si esta herramienta no funciona, revise la línea de alimentación, los fusibles y la toma de corriente.

### Montaje en el banco

1. Apague y desconecte la esmeriladora
2. Corte la plantilla que se encuentra en la página 5DW756
3. Marque los centros para los orificios mostrados en la plantilla.
4. Taladre las perforaciones del tamaño adecuado en los lugares que marcó anteriormente.
5. Inserte tornillos de 6 mm (1/4") con cabeza hexagonal a través de las roldanas y los orificios. Puede utilizar roldanas por la parte inferior del banco también.
6. Apriete las tuercas. Tenga cuidado de no comprimir demasiado las patas de goma cuando apriete los tornillos. Si quedan comprimidas, las patas no podrán cumplir la función de absorber las vibraciones.

### Instalación de los apoyos

APAGUE Y DESCONECTE LA ESMERILADORA.

Su esmeriladora incluye una llave hexagonal, colocada a la derecha del interruptor de encendido y apagado. Utilice esta llave para instalar los soportes de los apoyos, los apoyos y las cubiertas protectoras.

Instale primero los soportes de los apoyos, como se muestra en la figura 2. A continuación instale los apoyos. Utilice los tornillos, roldanas, tornillos de seguridad y espaciadores de la bolsa para asegurar los soportes y los apoyos en su sitio.

**NOTA:** Hay un apoyo para el lado izquierdo y otro para el lado derecho. Cuando se utiliza la herramienta, los apoyos deben quedar a una distancia no mayor de 3 mm (1/8") de la rueda de esmeril o cualquier otro accesorio que se emplee.

### *Instalación de las guardas y los soportes de las cubiertas protectoras*

#### APAGUE Y DESCONECTE LA ESMERILADORA

La combinación de las guardas contra chispas y los soportes de los protectores oculares vienen ensamblados en una bolsa de plástico. Están identificados como L para el izquierdo y R para el derecho. Refiérase a la figura 3 para instalarlos en la esmeriladora de banco con los dos tornillos de la guarda del disco (en algunos casos estos tornillos estarán en la bolsa de plástico). Ajuste el borde de la guarda contra chispas a 1,6 mm (1/16") de la piedra de esmeril u otro accesorio, como se observa en la figura. Apriete con firmeza los dos tornillos.

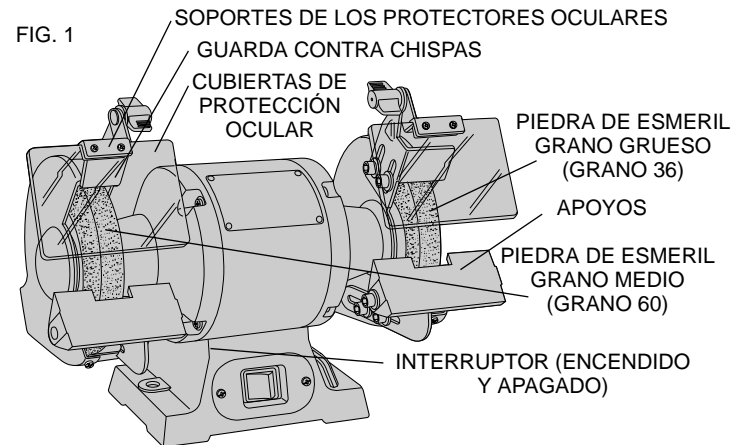
### *Instalación de las cubiertas protectoras*

#### APAGUE Y DESCONECTE LA ESMERILADORA

Quite la tira de acero de la superficie superior de cada cubierta protectora sacando los dos tornillos. Instale las cubiertas (son idénticas para los dos lados) en los soportes, como se observa en la figura 4. Apriete los tornillos con firmeza. Ajuste las cubiertas de manera que queden entre las piedras y sus ojos.

**LAS CUBIERTAS NO ESTÁN DISEÑADAS PARA SUSTITUIR A LAS GAFAS DE SEGURIDAD.**

Apriete las cubiertas una vez que estén en su sitio por medio de la perilla del montaje del soporte. Retire el papel protector.



**DW756** - Esmeriladora de banco de 152 mm (6"), eje de 13 mm (1/2"), 3450 RPM

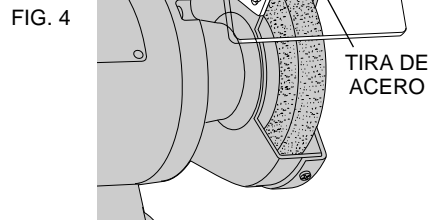
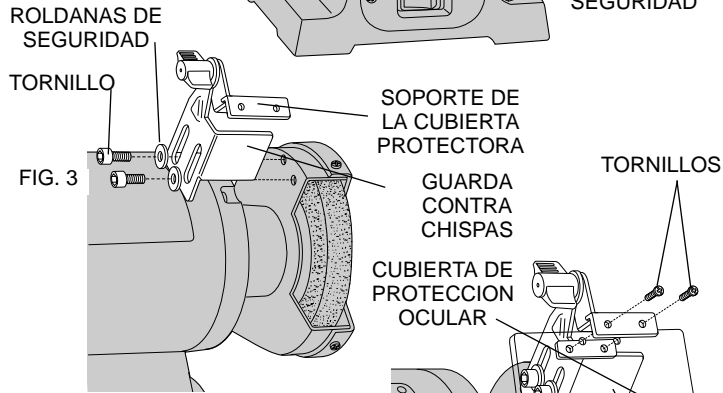
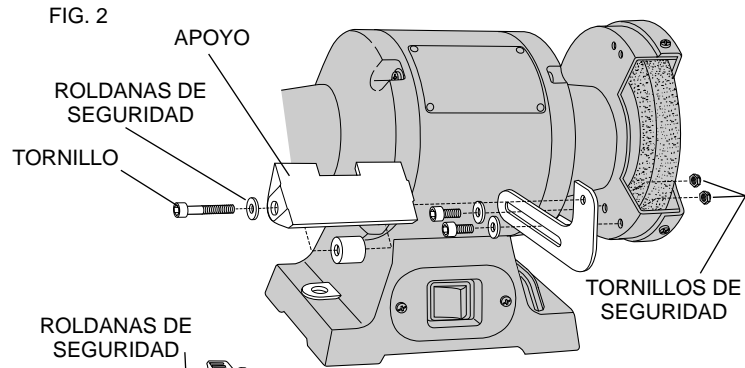
**DW758** - Esmeriladora de banco de 200 mm (8") para trabajo pesado, eje de 16 mm (5/8"), 3600 RPM

### *Operación*

**NUNCA UTILICE UNA ESMERILADORA DE BANCO SI NO ESTÁ FIRMEMENTE ANCLADA A UN BANCO DE TRABAJO O A OTRA ESTRUCTURA RÍGIDA.**

Antes de encender la esmeriladora, colóquese sus gafas de seguridad. Permita que alcance la máxima velocidad (3450 RPM - DW756, 3600 RPM - DW758) antes de esmerilar. Sujete firmemente al pieza de trabajo y contra el apoyo de la herramienta. Sujete las piezas muy pequeñas con pinzas u otro medio de sujeción. Alimente la pieza con suavidad y de manera uniforme hacia la rueda de esmeril. Mueva la pieza lentamente y evite golpearla contra la rueda. Si la rueda tiende a bajar de velocidad, libere un poco de presión para permitir que la rueda alcance la velocidad máxima.

Solamente esmerile con el frente de la rueda de esmeril, nunca con los lados. (Algunas ruedas están diseñadas para usar los lados, lo que estará indicado



en las instrucciones.)

**PRECAUCIÓN:** el esmerilado durante periodos prolongados provocará que la mayoría de los materiales se calienten. Tenga cuidado al manipularlos.

### Interruptor

El interruptor esta situado en el frente de la esmeriladora cerca de la parte inferior (Figura 1). Para ENCENDER la herramienta, oprima el lado izquierdo del interruptor, cerca de la palabra ON. Para APAGAR la herramienta, oprima el lado derecho del interruptor, cerca de la palabra OFF.

Instalación de los apoyos

APAGUE Y DESCONECTE LA ESMERILADORA.

Saque los apoyos de la herramienta del empaque e instálelos como se observa en la figura 2. Utilice los tornillos y las roldanas que se le proporcionan.

**PRECAUCIÓN:** Tornillos más largos pueden interferir con el movimiento de la piedra de esmeril.

### Mantenimiento

#### LIMPIEZA

Un procedimiento de mantenimiento regular es el sopleteado de polvo y granos de esmeril con aire comprimido. El polvo y el esmeril contienen partículas metálicas que se acumulan a menudo en las superficies internas y pueden crear riesgos de choque eléctrico si no se limpian con frecuencia. **UTILICE SIEMPRE GAFAS PROTECTORAS.**

**PRECAUCIÓN:** Nunca utilice solventes ni productos químicos agresivos para limpiar las partes no metálicas de la herramienta. Utilice únicamente un trapo limpio y seco.

#### LUBRICACIÓN

Las herramientas DeWALT se lubrican apropiadamente en la fábrica y están listas para usarse. Las herramientas deben lubricarse regularmente cada sesenta días a seis meses, dependiendo de su uso. (Las herramientas que se emplean constantemente en tareas de producción o en trabajos pesados y expuestas al calor pueden requerir lubricación más frecuente.) Esta lubricación solamente deberá ser realizada por personal entrenado en reparaciones de herramientas eléctricas, como el de los centros de servicio DeWALT u otras organizaciones de servicio calificado.



## Accesorios

Los accesorios recomendados para emplearse con su herramienta están a su disposición con costo adicional con su distribuidor o en el centro de servicio de su localidad.

Las piedras de esmeril deben caber en los confines de la guarda y deberán estar especificadas para una velocidad mayor a la velocidad marcada en la placa de identificación de la herramienta.

**⚠ PRECAUCIÓN:** Las hebras de los cepillos de alambre pueden romperse y salir despedidas durante el trabajo. El usuario y las demás personas en el área deberán utilizar protección adecuada para ojos, cara y cuerpo. utilice únicamente cepillos de alambre especificados para una velocidad igual o mayor a las RPM señaladas en la placa de identificación de la herramienta.

**⚠ ADVERTENCIA:** Utilice siempre las guardas apropiadas y protección ocular cuando esmerile.

**⚠ PRECAUCIÓN:** El uso de cualquier accesorio no recomendado puede ser peligroso.

## Cambio de accesorios

APAGUE Y DESCONECTE LA ESMERILADORA

CAMBIE LOS ACCESORIOS CUANDO LA GUARDA CONTRA CHISPAS NO PUEDA AJUSTARSE MÁS A 16 mm (1/16") DE LA PIEDRA.

DW756 - UTILICE SOLAMENTE PIEDRAS DE ESMERIL DE 152 mm DE DIÁMETRO. ESTA HERRAMIENTA TIENE FLECHAS DE 13 mm (1/2") EN AMBOS LADOS.

DW756 - UTILICE SOLAMENTE PIEDRAS DE ESMERIL DE 203 mm DE DIÁMETRO. ESTA HERRAMIENTA TIENE FLECHAS DE 16 mm (5/8") EN AMBOS LADOS.

*Siga los pasos enlistados a continuación para quitar y poner cualquier accesorio.*

1. Levante la cubierta protectora para los ojos.
2. Afloje y tire del apoyo de la herramienta tanto como le sea posible. No lo quite.
3. Afloje y tire de la guarda contra chispas tanto como le sea posible. No la quite.

4. Quite los tornillos que se encuentran a un lado de la guarda contra chispas, y quite la tapa.
5. Con una llave española o un perico, sujete las dos tuercas hexagonales que sujetan las piedras al eje de cada lado de la herramienta. Para sacar la piedra del lado izquierdo, gire la tuerca hexagonal en el sentido de las manecillas del reloj al tiempo que la otra está fija.
6. Quite la roldana y la piedra.
7. Revise la piedra en busca de fracturas, astilladuras o cualquier otro daño visible (que no sea desgaste) y descártelo si encuentra daños. Revise las roldanas de fieltro en busca de daños. Si faltan estas roldanas o están muy dañadas, reemplácelas con piezas de cartón delgado o papel secante que tengan la misma forma. **NUNCA UTILICE UNA RUEDA DE ESMERIL SIN UNA ROLDANA DE FIELTRO A CADA LADO.**
8. Instale la piedra nueva u otro accesorio. Asegúrese que ambas roldanas están en su lugar (los lados cóncavos hacia la rueda). Observe la figura 5. Para el modelo DW756 consulte las figuras 5 y 6.
9. Sujete como se describió anteriormente y apriete firmemente la tuerca, pero no sobreapriete. **EL SOBREPRETAR PUEDE FRACTURAR UNA PIEDRA DE ESMERIL.**
10. Coloque de nuevo la cubierta de la piedra y sus tornillos.
11. Ajuste la guarda contra chispas a 1,6 mm (1/16") del accesorio y apriete.
12. Ajuste el apoyo de la esmeriladora a 3 mm (1/8") del accesorio y apriete con firmeza.
13. Ajuste la cubierta protectora para los ojos a un punto entre sus ojos y el accesorio.
14. Siga los pasos anteriores para instalar ruedas para pulir y cepillos de alambre, al igual que para las piedras de esmeril.

### Importante

Para garantizar la **SEGURIDAD** y la **CONFIABILIDAD** del producto, las reparaciones, el mantenimiento y los ajustes deberán realizarse en los centros de servicio autorizado Black & Decker u otras organizaciones de servicio calificado. Estas organizaciones prestan servicio a las herramientas DeWALT Y utilizan siempre refacciones DeWALT. Los centros de servicio para herramientas industriales de Black & Decker están certificados para dar servicio a las herramientas industriales DeWALT.

### Garantía Completa

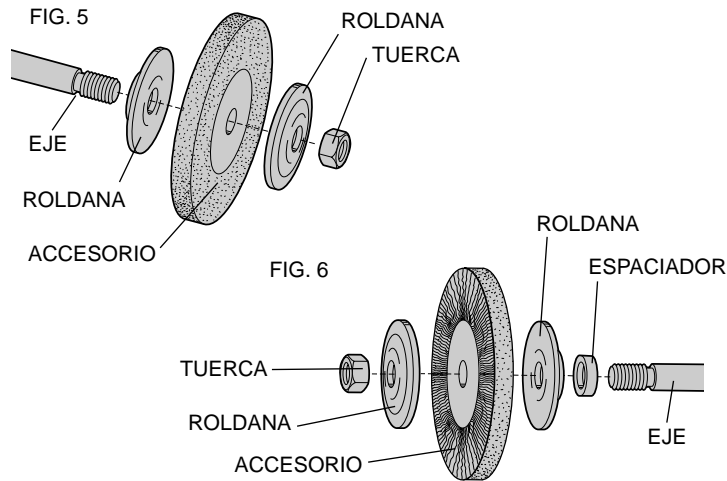
Las herramientas industriales DeWALT están garantizadas durante un año a partir de la fecha de compra. Repararemos, sin cargos, cualquier falla debida a material o mano de obra defectuosos. Hemos hecho arreglos con la División de Herramientas Industriales de Black & Decker para que hagan las reparaciones en garantía a las herramientas DeWALT. Por favor regrese la

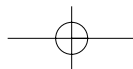
unidad completa, con el transporte pagado, a cualquier Centro de Servicio para Herramientas Industriales de Black & Decker o a las estaciones de servicio autorizado enlistadas bajo "Herramientas Eléctricas" en la Sección Amarilla. Esta garantía no se aplica a los accesorios ni a daños causados por reparaciones efectuadas por terceras personas. Esta garantía le otorga derechos legales específicos, y usted puede tener otros derechos que pueden variar de estado a estado.

En adición a la garantía, las herramientas DeWALT están amparadas por nuestra:

### GARANTIA DE SATISFACCION SIN RIESGO POR 30 DIAS

Si usted no se encuentra completamente satisfecho con el desempeño de su herramienta industrial DeWALT, sencillamente devuélvala a los vendedores participantes durante los primeros 30 días después de la fecha de compra para que le efectúen un reembolso completo. Por favor regrese la unidad completa, con el transporte pagado. Se puede requerir prueba de compra.



**DW756****PIEDRAS DE ESMERIL VELOCIDAD MÁX. SEGURA**

15,8 mm (5/8") canto, 152 mm (6") diá. Piedra de esmeril grano 60	4136 RPM
19 mm (3/4") canto, 152 mm (6") diá. Piedra de esmeril grano 60	4136 RPM
15,8 mm (5/8") canto, 152 mm (6") diá. Piedra de esmeril grano 36	4136 RPM
13 mm (1/2") canto, 152 mm (6") diá. Piedra de esmeril grano 60	3825 RPM

**RUEDAS PARA PULIR**

15,8 mm (5/8") canto, 152 mm (6") diá. Rueda de algodón para pulir	3600 RPM
--	----------

**CEPILLOS DE ALAMBRE**

13 mm (1/2") eje, 15,8 mm (5/8") canto, 152 mm (6") diá.	3600 RPM
--	----------

**Epecificaciones (DW756)**

Tensión de alimentación	120 V CA
Potencia nominal:	384 W
Frecuencia de operación:	60 Hz
Consumo de corriente:	4,0 A

**Epecificaciones (DW758)**

Tensión de alimentación	120 V CA
Potencia nominal:	403 W
Frecuencia de operación:	60 Hz
Consumo de corriente:	4,2 A

**DW758****PIEDRAS DE ESMERIL VELOCIDAD MÁX. SEGURA**

22 mm (7/8") y 25 mm (1") canto, 200 mm (8") diá. Piedra de esmeril grano 60	3600 RPM
22 mm (7/8") y 25 mm (1") canto, 200 mm (8") diá. Piedra de esmeril grano 36	3600 RPM

**RUEDAS PARA PULIR**

15,8 mm (5/8") canto, 200 mm (8") diá. Rueda de algodón para pulir	3600 RPM
--	----------

**CEPILLOS DE ALAMBRE**

16 mm (5/8") eje, 15,8 mm (5/8") y 32 mm (1 1/4") canto, 200 mm (8") diá.	3600 RPM
--	----------

Español

