

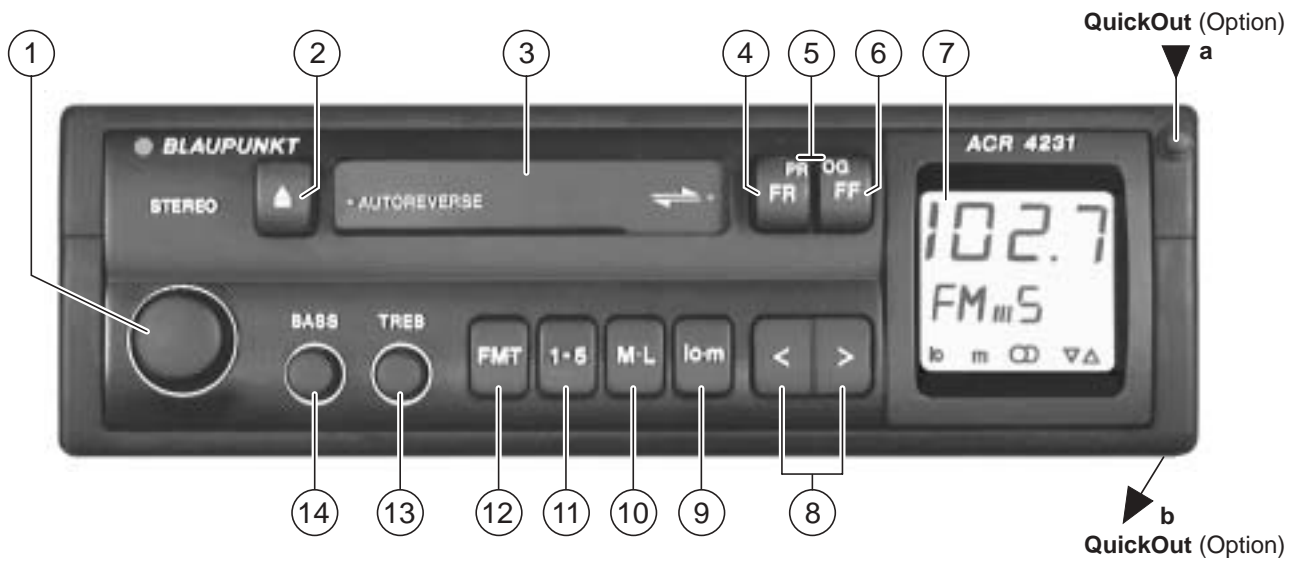


**● BLAUPUNKT**



Operating instructions

**ACR 4231**



# Table of Contents

## **Important information ..... 11**

Traffic safety .....	11
QuickOut .....	11
Installation / Hook-up .....	11

## **Radio operation ..... 11**

Select the frequency range .....	11
Station search .....	11
Manual station search .....	11
Adjusting station search sensitivity .....	12
Stereo - mono switch .....	12
Storing stations .....	12
Storing the strongest stations automatically .....	12
Recalling stored stations .....	12

## **Cassette tape operation ..... 13**

Insert cassette tape .....	13
Remove cassette tape .....	13
Fast forward .....	13
Fast rewind .....	13
Autoreverse function .....	13
Care of your audio equipment .....	13

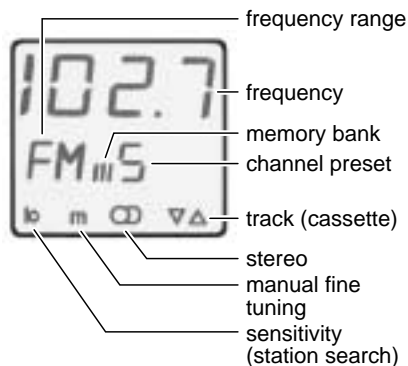
## **Appendix ..... 14**

Technical data .....	14
----------------------	----

# Legend

- ① **On/off**  
Turn knob.  
On ↻  
Off ↻  
Adjust volume:  
Turn knob.
- ② **▲ - Eject cassette tape**
- ③ **Cassette tape slot**
- ④ **FR (Fast Rewind):**  
Rewinds tape quickly to the beginning.  
To switch off: press FF button.
- ⑤ **PROG (Autoreverse)**  
To switch over to the other tape track -  
press both buttons.
- ⑥ **FF (Fast Forward)**  
Forwards tape quickly to the end.  
To switch off: press FR button.

## ⑦ Display for



- ⑧ **< >**  
**Station selection**  
automatic or manual ("m" in display).  
Switch over by pressing **lo • m** ⑨
- ⑨ **lo • m**  
**lo** lit up in the display indicates normal sensitivity for the station search function.  
**lo** not lit up in the display indicates high sensitivity for the station search function.  
**m** lit up indicates manual station fine tuning.

Added feature:  
Switch over from stereo to mono:  
Press **lo • m** for longer than 2 seconds.

- ⑩ **M•L**  
AM and long-wave (LW) switch.  
Press this button repeatedly if necessary.
- ⑪ **1-5**  
For storing and recalling radio stations
- ⑫ **FM•T (frequency modulation)**  
Switch for the FM memory banks I, II, III and "T" (**T**Travelstore) - for storing and recalling the six nearest, strongest station signals.  
**Store "T":**  
Press **FM•T** until the search begins in the display.  
**Recall "T":**  
Press **FM•T** until T appears in the display. Then press the station button quickly and repeatedly if necessary.
- ⑬ **TREB (treble)**  
For adjusting the treble
- ⑭ **BASS**  
For adjusting the bass

# Important information

## Traffic safety

As the driver of a motor vehicle, it is your responsibility to pay attention to the traffic situation at all times. Never use your car radio in a way that could distract you. Should the traffic situation become particularly demanding, we would advise you not to use the radio. Please keep in mind that you travel a distance of 14 m per second at a speed of only 50 km/h. When adjusting the volume, make sure that you are still able to hear sounds coming from outside of the vehicle, so that you are always able to react to warning signals.

## QuickOut

This car radio is optionally available with or without the QuickOut device.

Using the QuickOut handle you can easily pull your radio out of the installation compartment to take it along. The preset stations remain stored for a longer time.

To take out the radio.

- press knob (a), take the handle (b) and pull the unit out.

To listen to the radio or cassette again,

- insert the set into the compartment until it stops and move the handle back to the front panel.

## Installation / Hook-up

If you would like to install your new car radio yourself or add other audio components to the existing ones, then please read the enclosed instructions on installation and hook-up carefully.

Do not ground the loudspeaker outputs!

Use only Blaupunkt-certified accessories and spare parts.

# Radio operation

## Select the frequency range

You can choose between the frequency ranges:

FM 87.5 – 108 MHz,  
AM 531 – 1602 kHz and  
LW 153 – 279 kHz.

- Switch on the desired frequency range by pressing either the button **FM • T** or **M • L**.

Switching between AM and LW:

- Press **M • L**.

## Station search

**m** should not be lit up in the display. If it is, switch it off by pressing **lo • m**

- **< >** press right or left.  
The car radio will automatically tune into the next station.

If you hold the button pressed, the search function will forward quickly.

## Manual station search

**m** (manual) must be lit up in the display. If it is not, switch it on by pressing **lo • m**.

- **< >** press right or left quickly.  
The frequency will move up or down in short intervals.

If you hold the button pressed, then the frequencies will move up or down more quickly.

## Adjusting station search sensitivity

You can adjust the sensitivity of the automatic station search.

- Press **lo • m**.


When “lo” is visible in the display, then only those stations with relatively strong signals will be picked up (low sensitivity).

When “lo” is not visible in the display, then stations with weaker signals will also be picked up (high sensitivity).

## Stereo - mono switch

If you would like to switch between stereo and mono reception:

- Press **lo • m** for approximately 2 seconds.

During stereo reception the stereo symbol  will light up in the display.

Each time the car radio is switched on, the reception will automatically be set to stereo. The radio will automatically switch to mono when the reception conditions are poor.

## Storing stations

For each memory bank (I, II, III, T) you can store up to five stations using the button **1-5**.

- For FM select the memory bank by pressing **FM•T**.

You can store 5 stations each for AM and LW frequencies.

- Select the button **1-5** to store the new station and press it.
- Press **< >** to tune in the station you want to store (automatically or manually).
- Press the button **1-5** and hold it. First the station will be muted and then become audible again.

The station has been stored in the memory bank.

The corresponding memory bank and the button preset will appear in the display.

### Note:

If you tune into a station which has already been stored, then the corresponding button preset and the memory bank will flash in the display for approximately 5 seconds.

## Storing the strongest stations automatically

### (Travelstore)

In your reception area you can automatically store the five nearest FM stations, sorted according to their frequencies.

This feature is particularly useful when you are travelling.

- Press **FM•T** for at least 2 seconds. The radio will search for the nearest FM stations and store them in the memory bank “T” (Travelstore). When the process has been completed, the first station will be set.

If you wish, you can also store stations in the Travelstore memory bank manually.

## Recalling stored stations

You can recall the stored stations by pressing the corresponding buttons.

- Select the memory bank. Press **FM•T** until I, II, III or T appears in the display.
- Select the station by pressing the button **1•5**, press repeatedly if necessary.

# Cassette tape operation

## Insert cassette tape

- Switch the car radio on.
- Insert a cassette tape with side A or 1 facing up, the open side facing to the right. Do not use force.

The cassette tape will be played in the direction used last. The display will indicate which side is being played.

▼ - indicates side A or 1

▲ - indicates that side B or 2 is being played (reverse operation).

## Remove cassette tape

- Press ▲  
The cassette will be ejected.

## Fast forward

- Press **FF** (fast forward).  
At the end of the tape, the tape will switch to the opposite track and start playing.

## Stop fast forward

- Press **FR**.

## Fast rewind

- Press **FR** (fast rewind).  
When the tape has rewound to the beginning, it will switch to play.

## Stop fast rewind

- Press **FF**.

## Autoreverse function

Switching tracks during playback.

- Press **FR** and **FF** at the same time.

At the end of the tape, the unit will automatically switch to the other track.

### Note:

If there is too much tension on the cassette tape during playback, it may switch to the other track by itself. Check the condition of the tape. Sometimes it helps to rewind the cassette tape completely.

## Care of your audio equipment

We recommend that you use only C60/C90 cassette tapes in your car radio. Protect your cassettes from dirt, dust and temperatures exceeding 50 °C. During cold weather, allow cold cassettes to warm up somewhat before playing them in order to avoid uneven tape transport. Operating problems and sound distortions may occur after approximately 100 hours of playing time and are caused by dust particles which adhere to the rubber roller pad and the tape head. Use a cleaner cassette to remove normal dirt build-up. If more dirt than usual has accumulated, use a cotton bud dipped in rubbing alcohol to clean these parts. Never use any hard tools.

# Appendix

## Technical data

### Amplifier:

Output power: 2 x 6.5 W RMS power  
according to DIN 45324/  
3.1 at 4  $\Omega$

### FM:

Sensitivity: 1.3  $\mu$ V at 26 dB  
S/N ratio

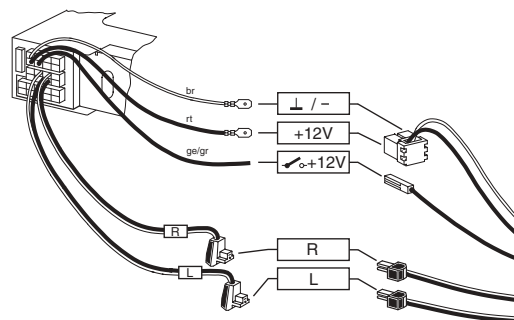
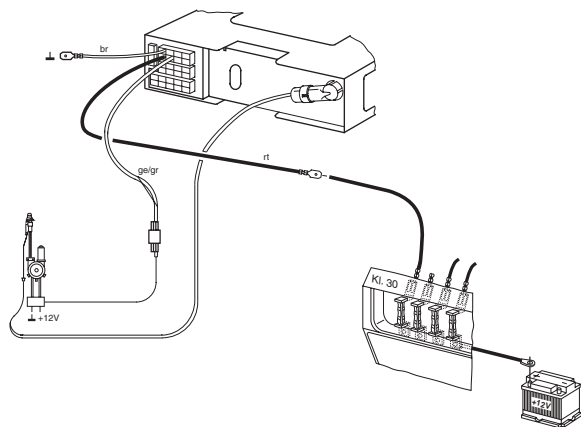
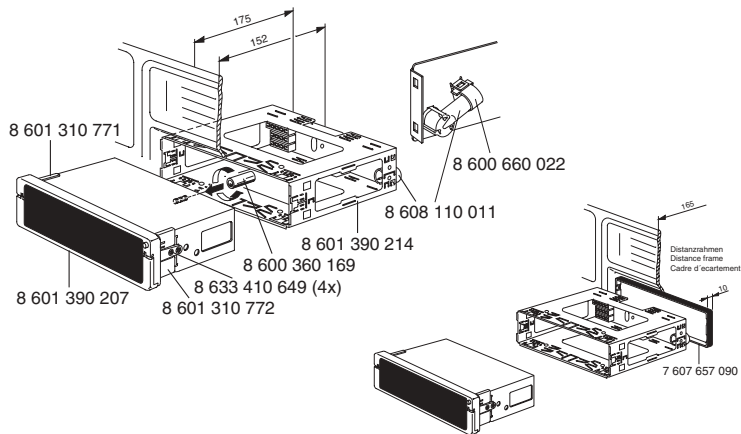
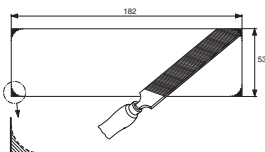
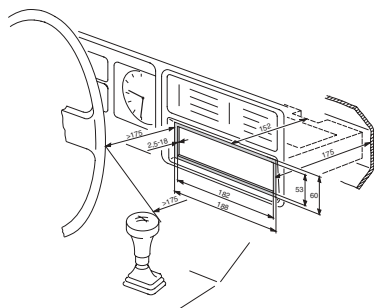
Response: 35 - 15 000 Hz (-3 dB)

### Cassette:

Response: 32 - 16 000 Hz (-3 dB)

Information subject to change!





**Blaupunkt-Werke GmbH**  
**Bosch Telecom**

MC/VKD-Hi 3 D93 147 034