

REV 410

Owner's Manual & "Limited" Warranty

Technology Specifications:

Thank You for purchasing this Wet Sounds product. Wet Sounds marine audio products represent the ultimate in high performance standards. The Revolution Series is specifically engineered to withstand the rigorous marine environment. Utilizing the state of the art acoustic engineering and three dimensional computer aided design, our “Revolution Technology” represents the most advanced technologies available for wakeboard tower speaker systems. The Revolution series also provides multiple fitment options from fixed clamp mount to our revolutionary (Patent Pending) stainless steel TC3 Quick Disconnect Swivel clamp.

Please take a moment to read the instruction manual before starting your installation. This manual will explain the benefits of the technologies developed by Wet Sounds and will help you understand the correct installation methods and use of this product. If you have any questions or concerns please contact a certified Wet Sounds dealer. You may also contact Wet Sounds technical support by dialing 1-877-WET-SPKR (1-877-938-7757)

SPEAKER SPECIFICATIONS REV 410

RMS: 400 watts

Peak: 800 watts

Mid Bass: Dual 10 inch Kevlar reinforced EFG™ cone woofers with polyurethane surround

High Frequency: Separate Titanium Diaphragm High Output Horn Loaded Compression Driver

Impedance: 4 ohm

Frequency Response: 20Hz to 20 kHz

Sensitivity: 92DB at 1W/1M

The Revolution™ series uses our proprietary REV TEC™ technology. Unlike most conventional designs, REV TEC technology provides remarkable volume and amazing full range sound quality on axis and off axis at long distances. Extensive acoustic testing has confirmed these speakers ability to project volume at 80 feet and beyond without any loss of detail or information. Not only does the Revolution series achieve volume and sound quality at a minimum of 80 ft, but with the REV TEC technology the rider can enjoy quality sound while riding outside the wake and being almost parallel to boat. Taking high performance wakeboard tower speakers to the next level, Wet Sounds has consulted with experts who spent countless hours examining the human auditory system to find out which frequencies affect your ears the most

at loud volumes. The Revolution series has been designed from the ground up to provide stunning output while eliminating certain frequencies that give that “ringing” or harsh sound associated with loud volumes. This allows the Revolution speakers to provide maximum output while still providing world class sound quality without the listener fatigue usually associated with high volumes.

The driver compliment in each REV 410 combines Dual 10 inch Kevlar reinforced EFG™ drivers and one center mounted HLCD (Horn Loaded Compression Driver) which provide stellar output and a higher performance for the marine environment, Wet Sounds™ developed a proprietary cone material called EFG™, which is an epoxy and fiberglass composite mix. Adding a reinforcement of Kevlar, the mid bass cones become more rigid without any added weight. This cone material incorporates characteristic values that are impermeable to damage from intermittent Ultra Violet exposure and minimal moisture exposure. Like the EFG™ cone material, the Polyurethane that is used for the surround will provide protection against Ultra Violet exposure and moisture. This will prevent deterioration of the surround yielding longer life and better reliability. We do, however, encourage you to either remove or cover your tower speakers when they are not in use. Limiting exposure to Ultra Violet Rays and to moisture will help extend the life of your tower speakers.

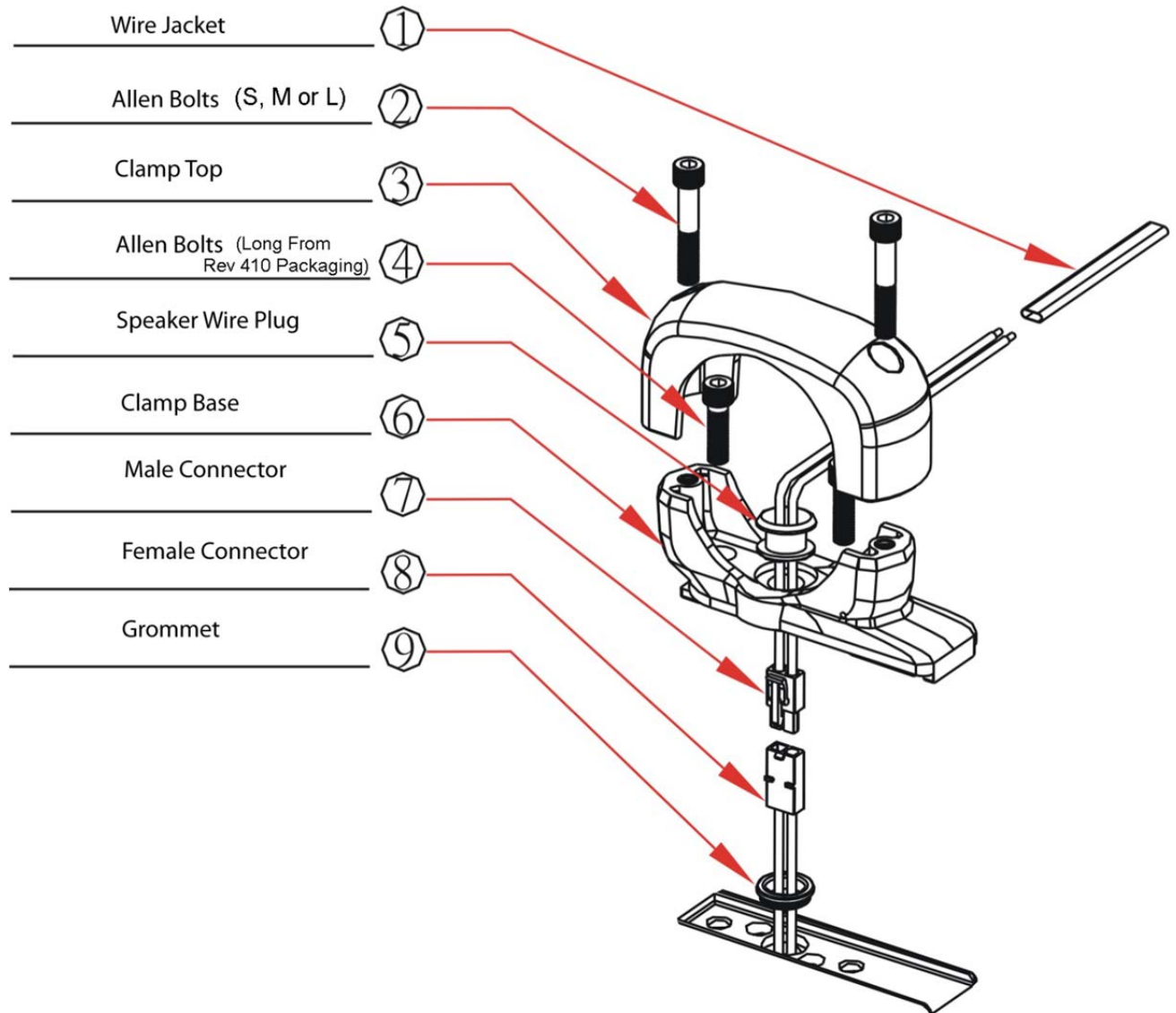
The high frequency transducer is our proprietary titanium diaphragm Wet Sounds HLCD (horn loaded compression driver). This driver was designed to provide a wide; horizontal trajectory that would not only produce sound in the directed path but will disperse sound off axis with little to no degradation. The HLCD is considered to be one of the most efficient transducer designs providing remarkable output while using less power. Our unique design incorporates the HLCD mounted in the center of dual mid bass drivers that have a slight angle to further enhance the off axis response.

***Caution: Do not spray any of the speakers directly with any liquid base substance. Warranty will be voided if improper care is discovered during extensive examination of the product.

Installation:

REV 410 FC

TC3-F Fixed Clamp Pipe Version Installation (pipe tower)



Step 1: Attach Male Connector (7) from clamp base to Female Connector (8)

Step 2: Push connector into center hole of speaker as you place clamp base onto the speaker housing. Please make sure the grommet (9) is seated properly.

Step 3: Attach two LONG Allen Bolts (4) through the clamp base and tighten into the housing. Please make sure these are tight. It is also recommend to use a Blue Loctite on these bolts.

NOTE: ALLEN BOLTS TO ATTACH CLAMPS WILL BE INCLUDED IN THE MAIN REV 410 PACKAGING, NOT INSIDE THE CLAMP BOX. THERE WILL BE EXTRA BOLTS NOT USED.

Step 4: Find the mounting location for the speaker and clamp and then mark the location on the bottom side of the pipe for the speaker wire.

Step 5: You will DRILL a hole in the bottom center of the pipe. You should also de burr the hole and add a rubber or plastic grommet so the wire is not damaged by touching bare metal. This can cause your speakers to short out and damage your speakers and amplifiers. The speaker wire will be inserted back into the pipe for a clean installation.

Step 6: Slide the wire jacket (1) down the wire and Butt Connect the speaker wire coming from the tower to the speaker wire plug (5). Red is positive and black is negative.

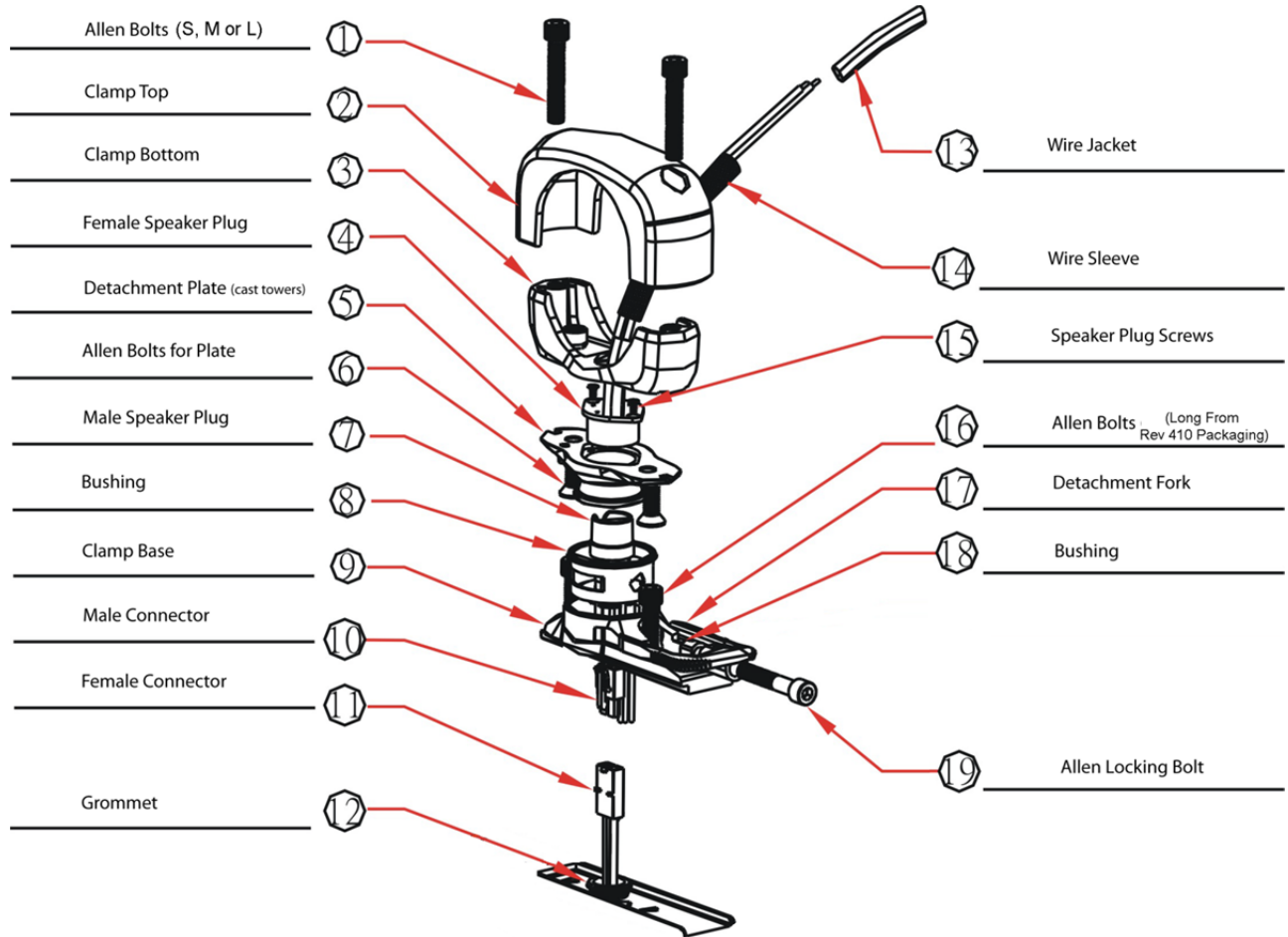
Step 7: Attach Clamp Top (3) to clamp base (6) using the two Allen Bolts (2) There are various length bolts included. There is 3 sizes. Small 30 mm length that fits 1 ¾ to 2 ¼ inch sized pipe, medium 45 mm length that fits 2 ¼ to 2 ½ inch sized pipe and long 60 mm length that fits 2 ½ to 3 inch sized pipe.

Step 8: Make sure the clamp is tightened all the way so there is no movement

Installation:

REV 410 SC

“Patent Pending” TC3-S Swivel Clamp Version Installation



Pipe Tower Mount Version using the TC3-S

Step 1: Attach Male Connector (10) from clamp base to Female Connector (11)

Step 2: Push connector into center hole of speaker as you place clamp base onto the speaker housing. Insert 4 bare wires down into this hole as well. These wires are only used if you are adding the LED speaker rings. (please see LED speaker install instructions for LED install) Please make sure the grommet (12) is seated properly.

Step 3: Attach two LONG Allen Bolts (4) through the clamp base and tighten into the housing. Please make sure these are tight. It is also recommend to use a Blue Loctite on these bolts.

NOTE: ALLEN BOLTS TO ATTACH CLAMPS WILL BE INCLUDED IN THE MAIN REV 410 PACKAGING, NOT INSIDE THE CLAMP BOX. THERE WILL BE EXTRA BOLTS NOT USED.

Step 4: Clamp Bottom (3) and Detachment Plate (5) are already connected together. Insert the detachment plate into the clamp base (9). Please make sure the male speaker plug (7) and female speaker plug (4) are lined up properly. The male speaker plug (7) inside the clamp base can rotate. Please rotate this so that it is facing the proper direction. There is a U shaped groove on the female that lines up with a boss on the male.

Step 5: Slide the detachment fork (17) into the grooves on the clamp base. Attach the allen locking bolt (19) and tighten down.

Step 6: Find the mounting location for the speaker and clamp and then mark the location on the bottom side of the pipe for the speaker wire. The speaker wire will be inserted back into the pipe for a clean installation.

Step 5 You will DRILL a hole in the bottom center of the pipe. You should also de burr the hole and add a rubber or plastic grommet so the wire is not damaged by touching bare metal. This can cause your speakers to short out and damage your speakers and amplifiers. The speaker wire will be inserted back into the pipe for a clean installation.

Step 6: Slide the wire jacket (13) down the wire and Butt Connect the speaker wire coming from the tower to the speaker wire plug (4). Red is positive and black is negative. If you have added the LED accessory, this speaker wire plug (4) will have 6 conductors. Please refer to the LED install instructions.

Step 7: Attach Clamp Top (2) to clamp bottom (3) using the two Allen Bolts (2) There are various length bolts included. There is 3 sizes. Small 30 mm length that fits 1 ¾ to 2 ¼ inch sized pipe, medium 45 mm length that fits 2 ¼ to 2 ½ inch sized pipe and long 60 mm length that fits 2 ½ to 3 inch sized pipe.

Step 8: Make sure the clamp is tightened all the way so there is no movement

Step 9: The swivel clamp allows you to rotate the clamp slightly on the dual clamp set up of the REV 410 to work on towers with slight curves. Then tighten the bolt to lock it in place.

Step 10: The swivel clamp also allows you to remove the speaker from the tower in seconds. Loosen the allen locking bolt (19) and remove the detachment fork (17). Once removed, the speaker will disconnect from the clamp. The clamp remains on the tower. To reinstall, line up the male speaker plug (7) so that it is centered and insert the speaker by plugging the connector together and reinstalling the detachment fork.

Cast Mount Tower Version using the TC3-S clamp for quick disconnect and swivel function.

Step 1: Attach Male Connector (10) from clamp base to Female Connector (11)

Step 2: Push connector into center hole of speaker as you place clamp base onto the speaker housing. Insert 4 bare wires down into this hole as well. These wires are only used if you are adding the LED speaker rings. (please see LED speaker install instructions for LED install) Please make sure the grommet (12) is seated properly.

Step 3: Attach two LONG Allen Bolts (4) through the clamp base and tighten into the housing. Please make sure these are tight. It is also recommend to use a Blue Loctite on these bolts.

Step 4: Clamp Bottom (3) and Detachment Plate (5) are already connected together. Remove allen bolts (6) that hold the detachment plate (5) to the clamp bottom (3). Clamp Top (2) and Clamp Bottom (3) will not be used for a cast tower mount.

Step 5: The detachment plate (5) will be hard mounted to a cast tower. Butt connect speaker wires from detachment plate connector (4) to the speaker wires from the cast tower. Red is positive and Black is negative.

Step 6: Push wires into center hole back into the tower and attach the detachment plate to the tower.

Step 7: Please make sure the male speaker plug (7) and female speaker plug (4) are lined up properly. The male speaker plug (7) inside the clamp base can rotate. Please rotate this so that it is facing the proper direction. There is a U shaped groove on the female that lines up with a boss on the male.

Step 8: Insert speaker with base onto detachment plate. Slide on detachment fork (17) and allen bolt (19) and tighten allen bolt so the speaker does not move.

Step 9: The swivel clamp also allows you to remove the speaker from the tower in seconds. Loosen the allen locking bolt (19) and remove the detachment fork (17). Once removed, the speaker will disconnect from the clamp. The detachment plate remains on the tower. To reinstall, line up the male speaker plug (7) so that it is centered and insert the speaker by plugging the connector together and reinstalling the detachment fork.

“Limited Warranty”

What This Warranty Covers

This is a "Limited" warranty. This warranty covers any defects in materials and workmanship and warranty only applies to the original purchaser and is not transferable. This warranty is also only valid if the original purchase was made from an authorized Wet Sounds™ dealer.

How Long Coverage Last

This warranty runs for one year from the date of the purchase. It is recommended to REGISTER your warranty online within 45 days of your purchase at www.wetsounds.com - click on "warranty registration".

What Is Not Covered

This warranty does not cover fading or discoloration caused by exposure to sunlight or chemicals such as ammonia, household bleach, or any cleaning material that contains abrasive substances. (For information on how to prevent fading or discoloration, consult for recommendations on cleaning products) Wet Sounds, Inc. does not cover the cost for removal and reinstallation of any kind. Additionally, shipping TO Wet Sounds, Inc. is covered by the purchaser This warranty is void and inapplicable if Wet Sounds™ deems that the product was abused or misused; including but not limited to Speaker product that has been improperly-powered (under or over powered), causing thermal (burnt voice coil) and/or mechanical failure (torn surrounds or spiders), damage caused by accident, mishandling, improper installation, negligence, normal wear and tear, excessive water or heat damage, freight damage or products that have been altered in any way. Product owned by anyone other than the original purchaser from an authorized Wet Sounds dealer. (The warranty is not transferable and will not apply to products purchased from unauthorized dealers.) Wet Sounds is not responsible for any damages to a consumer's boat or person from a product failure. The warranty is void if Wet Sounds deems the product was installed or used improperly. Wet Sounds shall not be responsible for any incidental or consequential damages, except to the extent provided (or prohibited) by applicable law. This warranty gives you specific legal rights, and you may also have other rights which vary from state.

What Wet Sounds™, Inc. Will Do

Wet Sounds, Inc will repair any part of your product that proves to be defective in materials or workmanship. In the event repair is not possible, Wet Sounds, Inc will replace the product in question. If it is deemed necessary Wet Sounds, Inc. will either replace the entire product with a refurbished unit or it will be replaced with a model that is similar in price if that model is no longer available. Labor cost and materials needed to complete this service will be at no charge to the purchaser. Additionally, the cost of shipping TO the consumer is also covered under this warranty.

How to Obtain Warranty Service

Contact Wet Sounds, Inc. either by phone at 877-938-7757 or by email at warranty@wetsounds.com. A service representative will assist you in the necessary actions to verify that the problem that you are experiencing is covered under warranty. If it is in fact a warranty issue, Wet Sounds will issue an RA number for tracking purposes and give instructions on sending the product in for evaluation. Wet Sounds™, Inc. How State Law Applies This warranty gives you specific legal rights, and you may also have other rights which vary from state to state.

Internet Warning

Wet Sounds, Inc. products sold on any non authorized web site or internet auction site are void of any and all manufacturer's warranty. Please contact Wet Sounds™ at 877-938-7757 or visit our web site at www.wetsounds.com to search for an authorized site and/or an authorized retailer near you.

Caution & Respect

Wet Sounds™ speakers can achieve very high sound pressure levels. Please use this product responsibly. Be aware that sound travels great distances across water so please respect other boaters especially while loading/unloading at the ramp or dock. Wet Sounds, Inc. is not responsible for any violations of the law that may be a direct result of excessive volume. Please abide by the rules but have fun doing it.

Wet Sounds, Inc.
9330 West Airport Blvd. suite 170
Houston, Texas 77031
www.wetsounds.com
Toll Free: 877-938-7757