

OvisLink

www.ovislink.com.tw

AirLive ePhone – 1000

VOIP IP Phone

User's manual



Safety Instructions

Safety Instructions Do not attempt to service the product yourself. Any servicing of this product should be referred to qualified service personal.

To avoid electric shock, do not put your finger, pin, wire, or any other metal objects into vents and gaps.

To avoid accidental fire or electric shock, do not twist power cord or place it under heavy objects.


The product should be connected to a power supply of the type described in the operating instructions or as marked on the product.


To avoid hazard to children, dispose of the product's plastic packaging carefully.


Please read all the instructions before using this product.


Safety Notices


These are the safety considerations for using the **AirLive ePhone-1000**. Read these notices before installing or using the phone.

 **Warning** This warning symbol means danger. You are in a situation that could cause bodily injury. Before you work on any equipment, be aware of the hazards involved with electrical circuitry and be familiar with standard practices for preventing accidents. To see translations of the warnings that appear in this publication, refer to the Regulatory Compliance and Safety Information document that accompanied this device.


 **Warning** Read the installation instructions before you connect the system to its power source.

 **Warning** Ultimate disposal of this product should be handled according to all national laws and regulations.

 **Warning** Do not work on the system or connect or disconnect cables during periods of lightning activity.

 **Warning** To avoid electric shock, do not connect safety extra low voltage (SELV) circuits to telephone network voltage (TNV) circuits. LAN ports contain SELV circuits, and WAN ports contain TNV circuits. Some LAN and WAN ports use RJ-45 connectors. Use caution when connecting cables.

The next warning applies when you use an external power supply.

 **Warning** This product relies on the building's installation for short-circuit (over current) protection. Ensure that a fuse or circuit breaker no larger than 120 VAC, 15A U.S. (240 VAC, 10A international) is used on the phase conductors (all current-carrying conductors).

 **Warning** The device is designed to work with TN power systems.

Table of Contents

SAFETY NOTICES	3
TABLE OF CONTENTS	5
PRODUCT SPECIFICATIONS	7
PACKAGE CONTENTS	8
AIRLIVE EPHONE-1000 FUNCTIONS	9
Front Panel	9
Rear and Back Panel	10
Function Keys	11
HARDWARE INSTALLATION	12
CONFIGURING THE AIRLIVE EPHONE-1000 WITH THE KEYPAD	13
Configuring Network Settings	14
Configuring for DHCP	14
Configuring for Static IP	14
Configuring for PPPoE	15
Protocol Settings	16
Audio Settings	18
Other Settings	19
Speed Dial Settings	20
Revert Back to Factory Default	21
Storing Settings	22

Editing Settings.....	23
Saving Settings	24
Exit Settings	24
WEB CONFIGURATION	25
NETWORK PARAMETERS	27
PROTOCOL PARAMETERS	28
PHONE PARAMETERS	32
AUDIO PARAMETERS	35
OTHER PARAMETERS	36
SAVE/REBOOT PARAMETERS	37
Registration Message.....	38
USING AIRLIVE EPHONE-1000	39
To make a phone call	39
Review call record	39
Speed Dial.....	39
Mute	40
Hold	40
APPENDIX	41
FREQUENTLY ASKED QUESTIONS	43

Product Specifications

Voice	
Call Control Protocol	SIP (RFC-3261) or H.323 V4
Voice Compression	G.711 A/μ -Law, G.723.1, G.729A/B/AB
Echo Cancellation	G.165 16ms
Delay (Point to Point)	< 100ms
Average Bandwidth Requirement	10-12k bit/s
Network Protocol	RTP/RTCP, UDP/TCP
Support Silence Suppression	<ul style="list-style-type: none"> · VAD, CNG · Acoustic Echo Cancellation · Jitter Buffering
DTMF tone detection	
E.164 Dial plan	
Network Interface	
Interface	10 Base-T Ethernet
Connectors Type	RJ-45 connector
Configuration Tools	Web Browser · Phone Setting · LCD Monitor
IP Address Support	PPPoE, DHCP client/Static IP
Firmware Upgrade	FTP/HTTP
Other Information	
Power	100 – 240VAC, 50 – 60Hz 5VDC, 1A
Power Consumption	3W
Working Environment	Operating Temperature : 0 - 40°C(32° - 104°F) Storage Temperature : -30 - 65°C(-22° - 149°F) Relative Humidity : 10 – 95% Non-Condensing
Certification	CE, FCC
Other	Headset Connection Interface · Firmware Upgrade NAT Pass-through (SIP with STUN) Speaker phone · Hold · Mute · Redial · Speed Dial · Received Calls · Missed Calls · Dialed Calls · Call Status · Volume Adjustment · Voice Response · Web Configuration · LED indicator, etc..

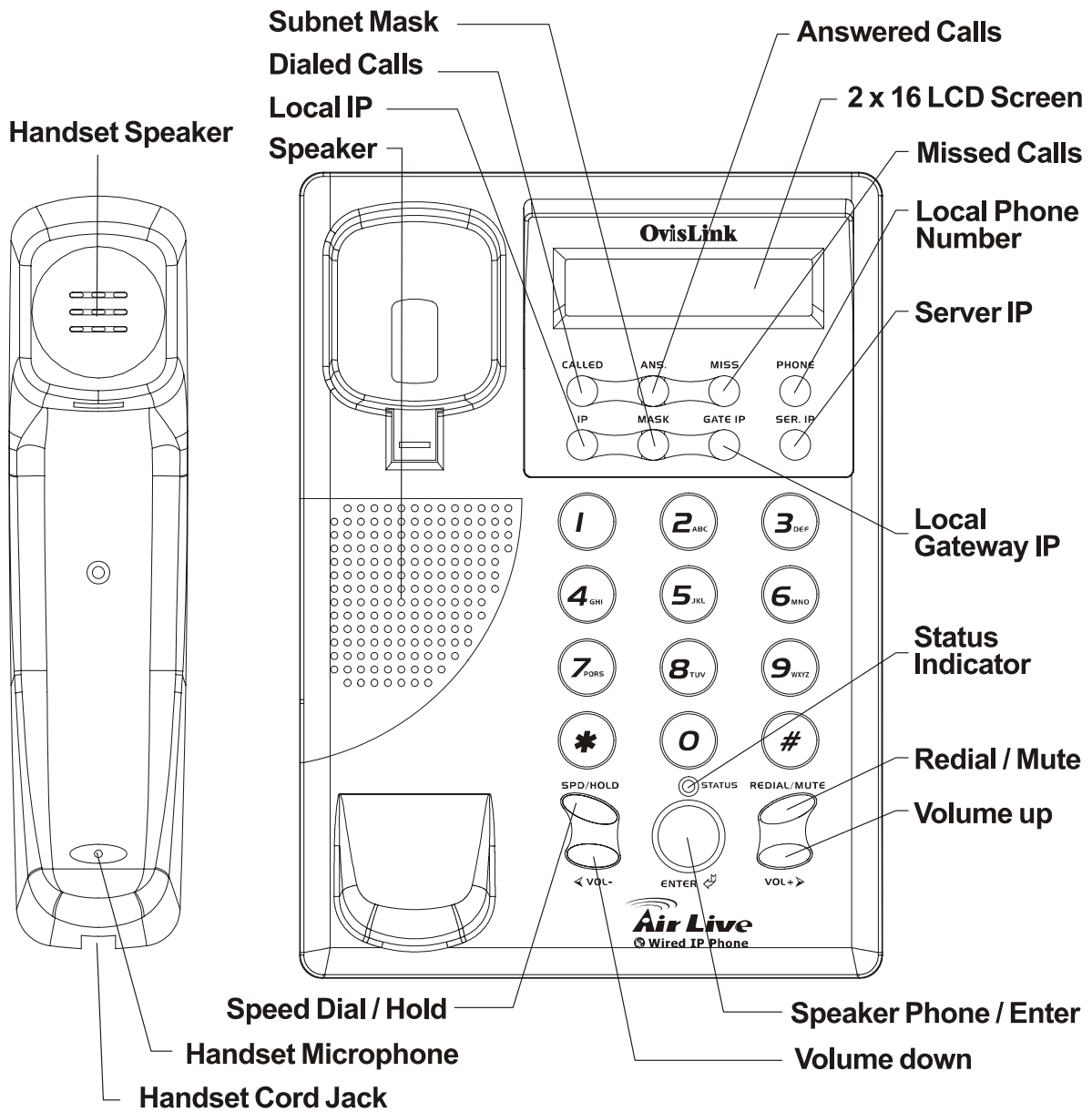
Package Contents

The **AirLive ePhone-1000** Series VoIP phone package contains:

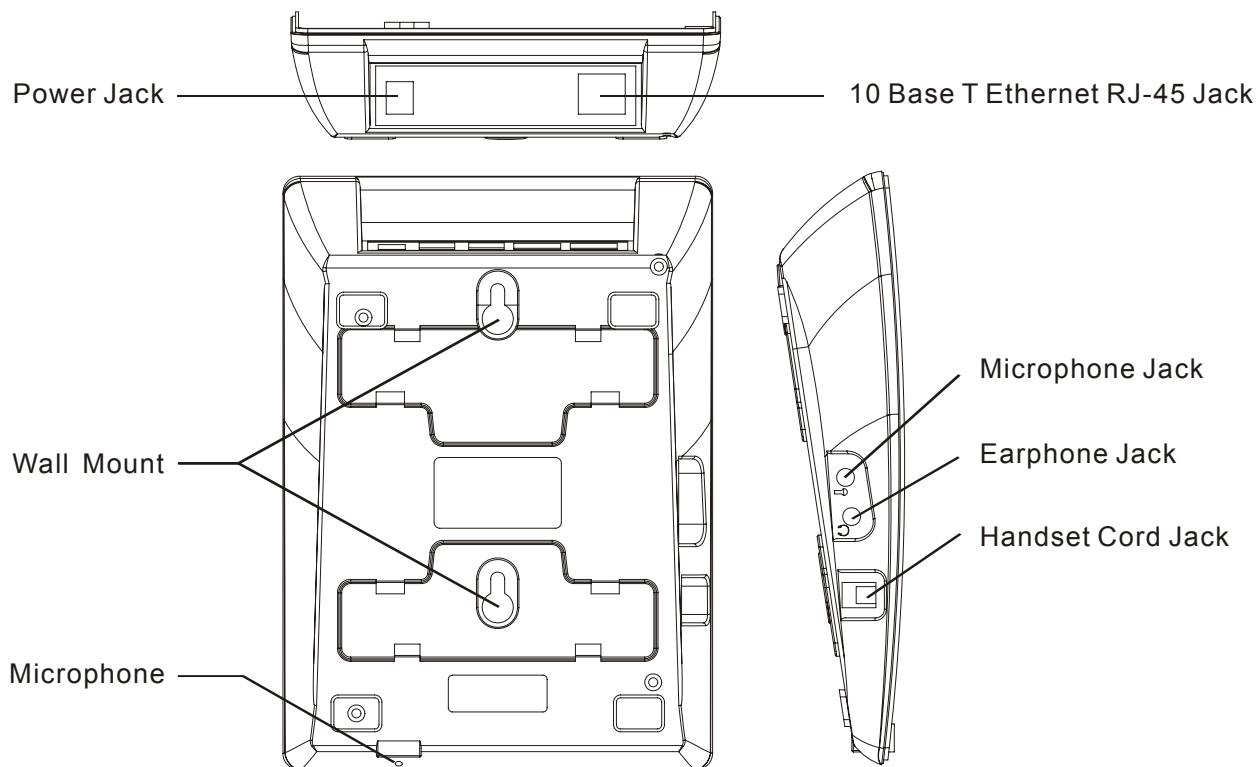
- One **AirLive ePhone-1000** VoIP phone
- One power adaptor
- One RJ-45 Ethernet cable
- Quick Installation Guide
- Installation CD

AIRLIVE EPHONE-1000 Functions

Front Panel



Rear and Back Panel



Function Keys

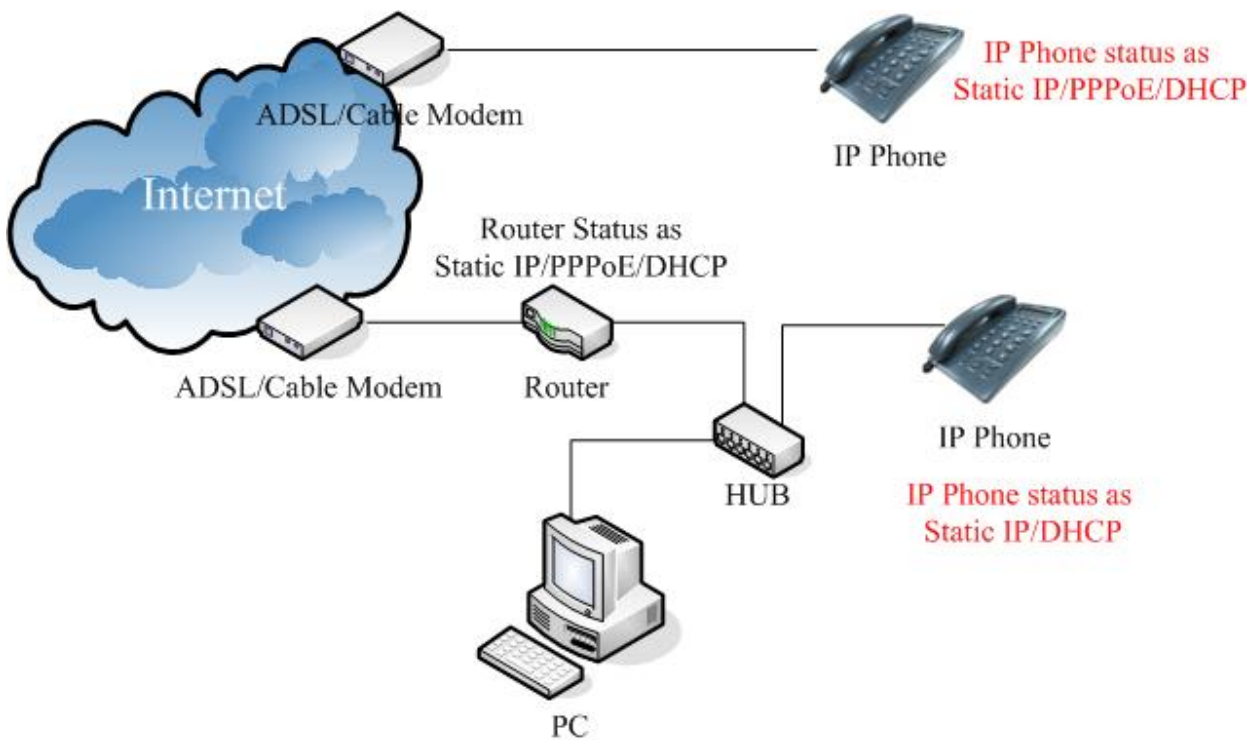
Keys	Function
These keys function with the handset hung	
Called	Press the Called key to display the IP address and phone number of the last call placed.
Ans.	Press the Ans. key to display the IP address and phone number of an incoming call.
Miss	Press the Miss key to get local IP address of the phone to consult the missed call number. In addition, dial # to dial this number.
Phone	Press the Phone key to get the phone number of the phone. Press again will show the data in the phone book.
IP	With handset hung, press the IP key to get local IP address of the phone.
Mask	With handset hung, press the Mask button to get the subnet mask of the AirLive ePhone-1000.
GATE IP	With handset hung, press the GATE IP button to get the gateway IP address in LAN.
SER .IP	With handset hung, press the SER. IP to get the service server IP address.
Hand Free	Press this key to turn on the speaker phone.
These keys function at all times	
SPD./HOLD	Speed Dial; Hold
REDIAL/MUTE	Redial; Mute
Vol -	Decreases the volume of the handset or speaker; turns the recording back.
Vol +	Increases the volume of the handset or speaker; turns the recording back.

Hardware Installation

Plug the power cord into the Power jack of the **AirLive ePhone-1000** VoIP Phone.

Plug the RJ-45 Ethernet cable into the Ethernet jack.

Plug the other end of other cable into the HUB, Router, ADSL Modem, or other broadband device.



After installing the **AirLive ePhone-1000**, follow the configuration instructions in the next chapters.

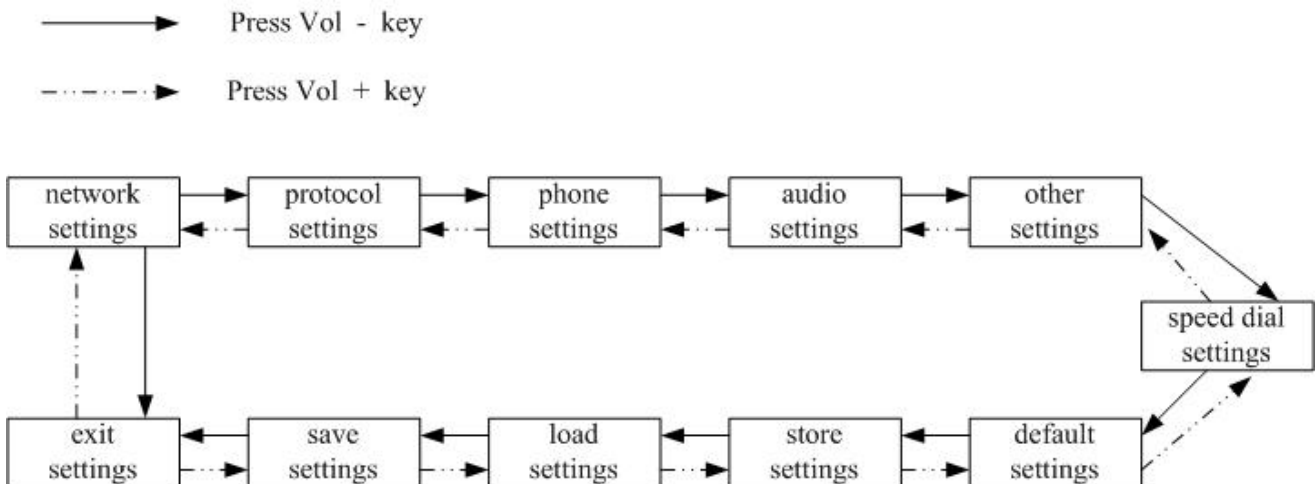
Configuring the AIRLIVE EPHONE-1000 with the Keypad

AirLive ePhone-1000 can be configured with its keypad or on a web page.

The table below illustrates Configuration Function keys:

Keys	Function
SPD./HOLD	Change Settings
REDIAL/MUTE	Main Menu Options
Vol -	Next Page
Vol +	Previous Page
Enter	Confirm Setting

The Main Menu of the Keypad LCD screen is shown below:



Configuring Network Settings

Network settings allow the **AirLive ePhone-1000** to connect to a specific network environment.

DHCP is the default setting for the **AirLive ePhone-1000**. This setting enables internet connections with any DHCP environment.

If either **PPPoE** or **Static IP** are used, change the default network setting of **AirLive ePhone-1000** to one of these network environments.

Using the keypad you can select **DHCP**, **Static IP** or **PPPoE** for your network environment. Each of these three options is described below.

Configuring for DHCP

Connect the power adaptor of **AirLive ePhone-1000** and connect the PPPoE network to the RJ-45 port.

Press 1, 2, 3, 4, # (Hold the “#” key)

Enter a [Password]

Press 1, 2, 3, 4 and Enter → Network Settings appears.

Press Enter → enter the [iptype]

Press SPD/Hold

When the Blinking Cursor appears press 1 and press Enter (1 sets the networking settings to DHCP).

Configuring for Static IP

Connect the power adaptor to the **AirLive ePhone-1000**

Connect the PPPoE network to the RJ-45 port.

Press 1, 2, 3, 4, # (Hold the “#” key) → enter a [Password]

Press 1, 2, 3, 4 and Enter → Network Settings appears.

Press Enter → [iptype] →

Press SPD/Hold → a Blinking Cursor appears

Press 0 and Enter (0 sets the networking settings to Static IP).
Press Enter again → enter the IP address [IP] →
Press SPD/Hold → a blinking cursor appears
Enter the **IP address** (XXX*XXX*XXX*XXX) and press **Enter**.
Press **Enter** again → the **Subnet Mask** parameter appears
Press **SPD/Hold** → when the blinking cursor appears →
Enter the **Subnet Mask** information (XXX*XXX*XXX*XXX) and then press **Enter**.
Press Enter again → the Router option appears
Press **SPD/Hold** → the blinking cursor appears,
Enter the **Input Default Gateway** Information (XXX*XXX*XXX*XXX) and the press
Enter.

Configuring for PPPoE

Connect the power adaptor to the **AirLive ePhone-1000**.
Connect the **PPPoE** network to the **AirLive ePhone-1000** to its RJ-45 port.
Press **1, 2, 3, 4, #** (Hold the “#” key) enter a [Password]
Press **1, 2, 3, 4** and **Enter** → the **Network Settings** option appears.
Press **Enter** → enter the [iptype]
Press **SPD/Hold** → When the blinking cursor appears Press **1** and then press **Enter** (1 sets the networking settings **PPPoE**).
Press **Enter** again → Enter the [pppid]
Press **SPD/Hold** → Enter the **PPPoE** Account Number and press **Enter**.
Press **Enter** → Enter the [pppin]
Press SPD/Hold
Enter the **PPPoE** password and press **Enter** →
Press **Enter** again to complete the configuration

Refer to the appendix when entering special Symbols such as @, A, a, B, b, C

Protocol Settings

To Access the Audio Settings Menu

Press **1, 2, 3, 4, #** (Hold the “#” key)

Enter a **[Password]**

Press **1, 2, 3, 4** and press **Enter**→ Network Settings appears

Press **Vol.-** (volume down button)→ enter the **[Protocol Setting]**.

To Configure Service Settings

Press **Enter** twice in the **[protocol settings]** prompt→ the Service option appears.

- Press **SPD/Hold, “0”** and **Enter** to disable service.

- Press **SPD/Hold, “1”** and **Enter** to enable service.

To Configure the Proxy Server registrar location.

Press **Enter** multiple times in the **[protocol settings]** prompt

Enter the **[service address]**

Press **SPD/Hold**

Enter the **IP address** of the registrar proxy server (**XXX*XXX*XXX*XXX**) and press **Enter**.

To Enable STUN for NAT pass-through when using SIP protocol:

At the **[protocol settings]** prompt of press **Enter** multiple times→ the **[nat traversal]** prompt appears.

Press **SPD/Hold**→ press **“4”** to enable **STUN** and press **Enter**

Press **Enter** again→ **[nat addr]** appears

Press **SPD/Hold**

Enter the IP address of the STUN server (**XXX*XXX*XXX*XXX**) and press **Enter**.

To Configure the AirLive ePhone-1000 Registration Type

At the **[protocol settings]** prompt, press **Enter** once

Press **Vol. +** (the volume up button) multiple times→ **[local type]** appears

Press SPD/Hold

- Press “0” to input your telephone number for **E.164** to register with the server and press **Enter**.
- Press “1” and **Enter**. Continue with step 7 and 8.

To Configure the AirLive ePhone-1000 server account number

At the [protocol settings] prompt press enter multiple times→ [account] appears

Press **SPD/Hold**→ input server account number (**XXX**) and then press **Enter**

To Configure the AirLive ePhone-1000 server Account Password

At the [**protocol settings**] prompt press **Enter** multiple times→ [**pin**] appears

Press SPD/Hold→ Enter the Server Password and press Enter.

To Configure the AirLive ePhone-1000 Registration Port

At the [**protocol settings**] prompt press **Enter** multiple times→ [**register port**] appears

Press **SPD/Hold**→ Enter the required **PORT** number for registration (**XXXX**) and then press **Enter**.

Audio Settings

To Access the Audio Settings Menu

Press **1, 2, 3, 4, #** (Hold the “#” key) [**Password**]→ Press **1 2 3 4** and then press **Enter**→ **Network Settings**

Press **1, 2, 3, 4, #** (Hold the “#” key) → Press **Vol.+** 3 times→ [**Audio Settings**] appears.

To Configure the AirLive ePhone-1000 voice compression Codec Type:

At the [**audio settings**] prompt press **Enter** once→ [**audio type**] appears
→ press **SPD/Hold**

- Press “**0**” and **Enter** to set the Codec to **G.729**
- Press “**1**” and **Enter** to set the Codec to **G.7231**
- Press “**2**” and **Enter** to set the Codec to **G.711u**
- Press “**3**” and **Enter** to set the Codec to **G.711a1**
- Press “**4**” and **Enter** to set to **auto**

Set the AirLive ePhone-1000 handset and speaker phone volumes

At the [**audio settings**] prompt press **Enter** 6 times→ [**handset in**] appears,

Press **SPD/Hold**→ enter the volume level of the handset and the speaker phone (the default setting is **7** and **15** is the highest value) and press **Enter**.

Other Settings

To Access the Other Settings Menu

Press **1, 2, 3, 4, #** (Hold the “#” key) → **[Password]** appears

Press **1, 2, 3, 4** and press **Enter** → Network Settings appears →

Press **1, 2, 3, 4, #** (Hold the “#” key) → Press **Vol.-** multiple times → **[other settings]** appears

To Change the User Password

At the **[other settings]** prompt press **Enter** once → enter the **[password]**

Press **SPD/Hold** → enter a new password and press **Enter**.

To Change the Administrator Password

At the **[other settings]** prompt, press **Enter** twice → **[super password]** appears

Press **SPD/Hold**

Enter the new password and press **Enter**.

Speed Dial Settings

To Access the Other Settings Menu

Press **1, 2, 3, 4, #** (Hold the “#” key) → **[Password]** appears

Press **1, 2, 3, 4** and then press **Enter** → **Network Settings** appears

Press **1, 2, 3, 4, #** (Hold the “#” key)

Press **Vol.-** multiple times

Enter the [speed dial setting].

To set a Speed Dial number

At the speed dial settings prompt press **Enter** once → **[memory1]** appears

Press **SPD/Hold** to select the first speed dial number and press **Enter**

Press **Enter** again → **[number1]** appears

Press **SPD/Hold**

Enter the first set of telephone numbers and press **Enter**.

Repeat step 2 to store more numbers. The **AirLive ePhone-1000** can store up to 100 speed dial phone numbers.

Revert Back to Factory Default

Press **1, 2, 3, 4, #** (Hold the “#” key) → **[Password]** appears

Press **1, 2, 3, 4** and press **Enter** → Network **Settings** appear

Press **1, 2, 3, 4, #** (Hold the “#” key) → Press Vol.- multiple times →
[Default Settings] appears

Press **Enter** → Are You Sure?

Select **Yes** and **[Default ok]** appears on the screen

Press Redial/Mute until [Undo Default Settings] is displayed → [save
settings] is displayed, press Enter

The phone will reboot itself.

Select **No** to choose not to revert back to factory default.

Storing Settings

When all settings have been entered to configure the **AirLive ePhone-1000** you will want to store them.

Press **1, 2, 3, 4, #** (Hold the “#” key) → **[Password]** appears

Press **1, 2, 3, 4** and press **Enter** → **Network Settings** appears

Press **1, 2, 3, 4, #** (Hold the “#” key)

Press **Vol.-** multiple times → **[Store Settings]** appears

Press **Enter** to Store the current system settings: → **[Store First Settings]**

Press **Enter** twice → **[Store Second Settings]**

Press **Enter** multiple times → **[Store Third Settings]**

Press **Enter** multiple times → **[Store Fourth Settings]**

Select the appropriate settings and press **Enter** to store settings.

Editing Settings

To change or add settings you have stored you can load and review each of the parameters that have been set and edit them.

Press **1, 2, 3, 4, #** (Hold the “#” key) → **[Password]** appears

Press 1, 2, 3, 4 and press Enter → Network Settings appears

Press **1, 2, 3, 4, #** (Hold the “#” key)

Press **Vol.-** multiple times → **[Load Settings]** appears

To edit a specific stored setting of the current configuration

Press Enter → **[Load First Settings]** appears

Press **Enter** again and the last saved setting appears.

Enter a new setting and press **Enter** to return to the next setting.

Press **Enter** twice → **[Load Second Settings]** appears

Press **Enter** again and the last saved setting appears.

Enter a new setting and press **Enter** to return to the next setting.

Press **Enter** multiple times → **[Load Third Settings]** appears

Press **Enter** again and the last saved setting appears.

Enter a new setting and press **Enter** to return to the next setting.

Press **Enter** multiple times → **[Load Fourth Settings]** appears

Press **Enter** again and the last saved setting appears.

Enter a new setting and press **Enter** to return to Main menu.

Saving Settings

When all configurations are complete and confirmed:

Press **Redial/Mute** until [**save settings**] appears on the screen→ press **Enter**→ Are You Sure?

Press **Enter** for **Yes** and the **AirLive ePhone-1000** will reboot and save the new settings.

Press **Redial/Mute** again for **No**, to not save settings and return to Keypad settings.


Exit Settings


Press **Redial/Mute** until [**Exit**] appears on the screen

Press **Enter** for Yes, the **AirLive ePhone-1000** reboots.

WEB Configuration

As an alternate to Keypad configuration, the **AirLive ePhone-1000** series VoIP Phone can also be configured with a web browser. The **AirLive ePhone-1000** Web configuration page is accessed by entering an assigned URL, or by pressing the “**IP**” button from the VoIP Phone keypad to display the IP address.

Start a Web browser, such as Microsoft’s Internet Explorer (IE) , and enter the **AirLive ePhone-1000**’s IP address on the web browser Address window.



A screenshot of a web browser address bar. The text "Address" is on the left, and the IP address "192.168.1.100" is entered in the text box on the right.

The **AirLive ePhone-1000** login screen is displayed:



A screenshot of the "IP Phone Configuration" login screen. The title "IP Phone Configuration" is at the top in a blue header. Below it is a "Password" label next to a text input field. At the bottom is a "Login" button.

The **AirLive ePhone-1000** web configuration password comes with two categories: User password and Administrator password.

The default User Password is **1234**.

The default Administrator Password is **12345678**.

Enter one of the passwords and click the “**Login**” button.

The **AirLive ePhone-1000** web based configuration page is displayed, as shown below.

Network settings					
iptype	dhcp	ppp id		ppp pin	
local ip	192.168.0.18	subnet mask	255.255.255.0	router ip	192.168.0.254
dns	192.168.0.254	dns2	139.175.10.20	ii	
Protocol settings					
protocol	SIP	use service	<input checked="" type="checkbox"/>	jitter size	0
service type	common	service addr		service id	
nat traversal	disable	nat addr		nat ttl	30
phone number		account		pin	
register port	5060	signal port	1720	control port	1722
register ttl	60	rtp tos	0	rtp port	1722
local type	phonenumber	call type	advanced	dtmf	inband audio
Phone settings					
use dialplan	disable	dial number		ddcode	10
iddcode	86	iddprefix	00	dddprefix	0
local prefix	0	nonlocal prefix	0	ring type	dtmf0
answer	30	forward number		fwd always	<input type="checkbox"/>
fwd busy	<input type="checkbox"/>	fwd poweroff	<input type="checkbox"/>	fwd noanswer	<input type="checkbox"/>
Audio settings					
audio type	g729	audio frames	3	g.723.1 high rate	<input checked="" type="checkbox"/>
vad	<input checked="" type="checkbox"/>	agc	<input checked="" type="checkbox"/>	aec	<input checked="" type="checkbox"/>
handset in	7	handset out	31	speaker out	20
Other settings					
password	1234	super password	12345678	snmp ip	210.59.157.10
use daylight	<input type="checkbox"/>	timezone	(GMT+08:00)Beijing,Hong Kong,Urumqi	ii	ii
<input type="button" value="Save/Reboot"/>					

You can enter all the configuration parameters for the **AirLive ePhone-1000** on this web page. Each of the parameters and its options are described in the tables that follow. Enter all of the required parameters and select **Save/Reboot** to complete the configuration.

Network Parameters

Network settings					
iptype	dhcp	ppp id		ppp pin	
local ip	192.168.0.18	subnet mask	255.255.255.0	router ip	192.168.0.254
dns	192.168.0.254	dns2	139.175.10.20	ii	

Networking Parameter Values	
Fields	Description
iptype	<p>Set how AirLive ePhone-1000 gets relevant network parameters by selecting corresponding item from drop down list.</p> <p>static Select this option to authorize users to manually configure the IP address, subnet mask and router IP.</p> <p>dhcp Select this option to enable the DHCP server to automatically assign all the required network parameters to AirLive ePhone-1000.</p> <p>pppoe Select this option to enable a PPPoE connection. Enter the ppp id and ppp pin with a PPPoE account and Password. The ISP provider will automatically assign all the required IP parameters to A AirLive ePhone-1000.</p>
ppp id	With PPPoE or modem selected in the iptype drop down list, enter the user name in this field.
ppp pin	With PPPoE or modem selected in the iptype drop down list, enter the password in this field.
local ip	With Static selected in the iptype drop down list,, enter the IP address of the AirLive ePhone-1000 in this field.
subnet mask	With Static selected in iptype drop down list, enter the Subnet Mask address of the AirLive ePhone-1000 in this field.
router ip	With Static selected in iptype drop down list, enter the router IP address of the AirLive ePhone-1000 in this field.
Dns	With Static selected in iptype drop down list, enter the IP address of the DNS server in this field.
dns2	With Static selected in iptype drop down list, enter the IP address of the backup DNS server in this field.

Protocol Parameters

Protocol settings					
protocol	SIP	use service	<input checked="" type="checkbox"/>	jitter size	0
service type	common	service addr		service id	
nat traversal	disable	nat addr		nat ttl	30
phone number		account		pin	
register port	5060	signal port	1720	control port	1722
register ttl	60	rtp tos	0	rtp port	1722
local type	phonenumber	call type	advanced	dtrnf	inband audio

Protocol Parameter Values	
Field	Description
protocol	<p>The AirLive ePhone-1000 supports H.323 and SIP protocols.</p> <p>Select one of the phone protocols from the drop down list:</p> <p>H.323: sets the phone use H.323 protocol</p> <p>SIP: sets the phone use SIP protocol</p>
use service	<p>Enable/Disable service by checking/unchecking this box. Services response to different protocols as follows:</p> <p>If using SIP protocol, check this box and enter the service address field with the SIP proxy Server IP address of domain name.</p> <p>If using H.323 protocol , the protocol service refers to the Gatekeeper searching the address.</p> <p>To allow AIRLIVE EPHONE-1000Ss to call each other by an E.164 number: check this option and enter the IP address or domain name of corresponding Gatekeeper into the Service Address field.</p> <p>To make point to point calls to another voice gateway: leave this option unchecked and enter the voice gateway's IP address in the Service Addr. field.</p> <p>To make calls by dialing IP addresses of other AirLive ePhone-1000 or H.323 devices (such as Netmeeting) in the same network segment, leave this option unchecked and leave the Service Addr. field blank.</p> <p>※Note:</p> <p style="padding-left: 40px;">In you are not using Gatekeeper, configure the service port as 1720.</p> <p style="padding-left: 40px;">Refer to the Service Port configuration for more detailed information.</p>
service type	<p>The default service type is common. For other types, select the service type from the drop down list.</p>

service addr	<p>Enter the IP address or domain name of the server according to the protocol used:</p> <p>H.323 protocol:</p> <p>If the Use Service option <i>is</i> checked, enter the IP address or the domain name address of the gatekeeper.</p> <p>If the Use Service option <i>is not</i> checked, enter the IP address or the domain name address of the voice gateway.</p> <p>SIP protocol: If the Use Service option <i>is</i> checked, enter the IP address or domain name of the SIP Proxy Server in this field.</p>
service id	Enter a service ID required by the system.
nat traversal	<p>When using a private IP to traverse the NAT, select one of the conditions from the drop down list:</p> <p>disable</p> <p>When AirLive ePhone-1000 is using public IP, please choose disable.</p> <p>When AirLive ePhone-1000 is using SIP protocol, and using the Outbound Proxy, please choose disable</p> <p>enable</p> <p>. If your AirLive ePhone-1000 is using a private IP, select enable. This automatically checks the Public IP of the NAT router and the nat address will automatically activate. Without a special request, enter the nat address 0.0.0.0 in the nat addr field and configure the port on the NAT router accordingly.</p> <p>stun</p> <p>STUN helps the SIP traverse the NAT and locates a public IP address and the type of NAT service for the AirLive ePhone-1000. If this option is selected, enter the IP address of the STUN server in the nat addr field.</p> <p>When using H.323, select Citron if the service provider did not provide related information</p>
nat addr	When nat traversal or stun is enabled, enter the IP address of the NAT Proxy. Otherwise, keep this field as 0.0.0.0 .
nat ttl	Defines the amount of time, in seconds, a NAT traversal message is sent to the NAT server. The default setting is 30 seconds.
phone number	If H.323 or SIP protocol are used, enter the phone number of the AirLive ePhone-1000 .
account	<p>If H.323 protocol is selected , enter the H323 ID or H.235 account number.</p> <p>If you select a prefix in the use dialplan drop-down menu, enter the IS card number, and “#”.</p>

	<p>For example 14589653185#.</p> <p>If SIP protocol selected, enter the SIP Proxy account number.</p>
pin	<p>If H.323 protocol is used to logon the gatekeeper, enter the password or H.235 authentication password.</p> <p>If SIP protocol is used to logon SIP Proxy Server, enter the password into this field.</p> <p>If a prefix is selected in the use dialplan drop-down menu, enter the by ISR card password number, and “#”. For example 3185#.</p>
register port	<p>If H.323 protocol is used,</p> <p>If Gatekeeper is used, the register port works as the gatekeeper’s monitor port. The default value is 1719.</p> <p>If the Gatekeeper is used, the register port works as the end point device or the Gatekeeper’s monitor port. The default value is 1720.</p> <p>If SIP protocol is used, the default setting is 5060.</p>
signal port	<p>If H.323 protocol used, this port is mapped to the Q.931 port. Q.931 calls usually use TCP protocol. The value can be set between 1024 and 65535.</p>
control port	<p>If H.323 protocol is used, the control port is the H.245 port using TCP protocol. H.245 protocol defines the call control signal and uses TCP protocol. The value can be set between 1024 and 65535.</p> <p>If MGCP or SIP protocol is used, there is no specific request for this port. You can enter any number.</p> <p>※If many AirLive ePhone-1000s are active on the NAT at the same time, each AirLive ePhone-1000 cannot be configured to the same port.</p>
register ttl	<p>Defines the number of seconds a register message is sent to the server. The default setting is 60.</p>
rtp tos	<p>Enter the TOS segment of the IP header used by RTP digital follow. For detailed information refer to IP protocol.</p>
rtp port	<p>RTP port is the port transferring and receiving voice flow using UDP protocol. Enter an even number in this field between 1024 and 65535.</p>
local type	<p>When H.323 protocol is used, this parameter refers to how AirLive ePhone-1000 logs in to Gatekeeper or the SIP Proxy server. Enter the following values.</p> <p>Phone number</p> <p>Enter a phone number that corresponds to the E.164 and H.323 ID to login to the Gatekeeper.</p>

	<p>Account</p> <p>Use account authentication to login. Enter the account name and password into the account and pin fields.</p> <p>H.235 account</p> <p>With H.323 protocol used, if the Gatekeeper supports H.235 protocol, please choose this option. Please also fill up the account name and password into the account and pin fields.</p>
call type	<p>Select one of the three items in drop-down list: normal, faststart or advanced. advanced is the recommended value.</p>
dtmf	<p>The DTMF signal method of transmission. Select control string, inband audio, signal keypad or RFC 2833 from drop-down menu.</p> <p>If extensions cannot be dialed, set the dtmf as inband audio.</p>

Phone Parameters

Phone settings					
use dialplan	disable	dial number		ddcode	10
iddcode	86	iddprefix	00	dddprefix	0
local prefix	0	nonlocal prefix	0	ring type	dtmf0
answer	30	forward number		fwd always	<input type="checkbox"/>
fwd busy	<input type="checkbox"/>	fwd poweroff	<input type="checkbox"/>	fwd noanswer	<input type="checkbox"/>

Phone Parameter Values	
Fields	Description
use dialplan	<p>The use dialplan parameter sets how the AirLive ePhone-1000 dials up., either by a dial plan or by a dial number. The options below set the dial method.</p> <p>disable Select disable to <i>not</i> use either dial plan or dial number.</p> <p>enable Enables the dialing plan. The dialing plan should combine with the Regional Code and Area Code. Follow the E.164 rules to setup the country code, area code and long distance code.</p> <p>dialnum Enables a dial number. If this option is selected, enter the dial prefix into the dial number field. RTP port: Enter an even number from 1024 to 65535 to designate the RTP port of H.323 protocol.</p> <p>prefix hotline Enables hotline feature. The phone will automatically dial to the destination number typed in this blank space when press Enter (Speaker Phone).</p>
dial number	If dialnum is selected, enter the dial prefix into this field. This must correspond to log in server requirements.
ddcode	If enable or dialnum is selected , enter an area code meeting E.164 dial rules. For example, LA 626.
iddcode	If enable or dialnum is selected, enter a country code meeting E.164 dial rules. For example, Taiwan 886; U.S.A .1.
iddprefix	If enable or dialnum is selected, enter an international call prefix according to E.164 dial rules, For example 00.

dddprefix	If enable or dialnum is selected, enter a long distance call prefix according to E.164 dial rules. For example 00.
innerline	Enable/disable multi-settings by selecting disable or enable from the dropdown list. 000 You can save a maximum of 5 settings. disable : disables multi-settings, the phone will call out using the current setting. enable : the designated system places calls switch : enables multi-settings. Enter the prefix switching to backup setting 1 and backup setting2 in the local prefix and nonlocal prefix fields.
local prefix	If enable or switch is selected in innerline dropdown list, enter the number switching to a backup setting 1, such as 56.
nonlocal prefix	If enable or switch is selected in innerline dropdown list, enter the number switching to a backup setting 2, such as 57.
answer	The number of seconds before the phone switches to call auto call forward. Enter a number from 0 to 60. To disable the auto answer function, please set this parameter to 0.
ring type	Set a ring type from the drop-down menu. dtmf 0-9 : Set the ring as ordinary rings in different frequencies. not disturb : Sets the phone to no ring. pcmring : Sets the ring to music. user define : Sets to music saved by user
use digitmap	Enables/Disables digitmap .
forward number	Enter a phone number to forward calls to in this field.
fwd poweroff	Check this box to forward all calls if the power is off. Enter the forwarding phone number in the forward number field.
fwd noanswer	Check this box to forward all calls without replying. Enter the forwarding phone number in the forward number field.
fwd always	Check this box to forward all calls. Enter the forwarding phone number in the forward number field..
fwd busy	Check this box to forward all calls if busy. Enter the forwarding phone number in the forward number field.

Audio Parameter Values	
Fields	Description
audio type	Select the audio type of the phone by selecting an option from the drop down list. The options are g.711u , g.711a , g.723.1 , g.729 , g.729a , g.729b and auto .
audio frames	Sets the audio frames in the RTP package. If the G723 audio codec used, set it as 1; If the G729 audio code is used, set it as 2.
g.723 high rate	If g.723.1 selected in audio type, enable/disable g.723.1 high rate (6.3K) by checking / unchecking this option.
vad	Enable/disable VAD (voice activity detection) by checking / unchecking this box.
agc	Enable/disable AGC by checking/unchecking this box.
aec	Enable/disable VEC by checking/unchecking this box.
handset in	Drag the slider to adjust the volume of handset input . Drag it to the left to reduce the volume; drag it to the right to increase the volume. The range is 1 to 15.
handset out	Drag the slider to adjust the volume of handset output . Drag it to the left to reduce the volume; drag it to the right to increase the volume. The range is 1 to 26.

Audio Parameters

Audio settings					
audio type	<input type="text" value="g729"/>	audio frames	<input type="text" value="3"/>	g.723.1 high rate	<input checked="" type="checkbox"/>
vad	<input checked="" type="checkbox"/>	agc	<input checked="" type="checkbox"/>	aec	<input checked="" type="checkbox"/>
handset in	<input type="text" value="7"/>	handset out	<input type="text" value="31"/>	speaker out	<input type="text" value="20"/>

audio frames	Sets the audio frames in the RTP package. If the G723 audio codec used, set it as 1; If the G729 audio code is used, set it as 2.
g.723 high rate	If g.723.1 selected in audio type, enable/disable g.723.1 high rate (6.3K) by checking / unchecking this option.
vad	Enable/disable VAD (voice activity detection) by checking / unchecking this box.
agc	Enable/disable AGC by checking/unchecking this box.
aec	Enable/disable VEC by checking/unchecking this box.
handset in	Drag the slider to adjust the volume of handset input . Drag it to the left to reduce the volume; drag it to the right to increase the volume. The range is 1 to 15.
handset out	Drag the slider to adjust the volume of handset output . Drag it to the left to reduce the volume; drag it to the right to increase the volume. The range is 1 to 26.

Other Parameters

Other settings					
password	1234	super password	12345678	sntp ip	210.59.157.10
use daylight	<input type="checkbox"/>	timezone	(GMT+08:00)Beijing,Hong Kong,Urumqi	ii	ii

Other Parameter Values	
Field	Description
Password	Sets the user's password. Maximum 16 digits long.
Super password	Set the administrator's password. Maximum 16 digits long
debug	<p>Sets the debug level of the phone.</p> <p>Disable: Disables bug messages</p> <p>Output: Sends operation information, such as register input. to the phone window,</p> <p>Output all: Sends all bug information and data to a test window</p> <p>Remote debug: Saves bug information in SDRAM of AirLive ePhone-1000.</p> <p>No check: Disables checks.</p>
sntp ip	IP address of the time server here.
use daylight	Enables/Disables daylight savings time by checking /unchecking this option.
upgrade addr	Enter the IP address or domain name for the IPS of the FTP server that sends updated program information here.

Save/Reboot Parameters

Save/Reboot

After you enter all the configuration values, press **Save/Reboot**. **AirLive ePhone-1000** will save the settings and reboot. If the webpage returns to the login page, login and configure again. Phone Book

Phone Book

Click on **Phone Book** to access the **AirLive ePhone-1000** phone book page.

Phone Book					
No.	Name	Phone Number	No.	Name	Phone Number
001	<input type="text"/>	<input type="text"/>	002	<input type="text"/>	<input type="text"/>
003	<input type="text"/>	<input type="text"/>	004	<input type="text"/>	<input type="text"/>
005	<input type="text"/>	<input type="text"/>	006	<input type="text"/>	<input type="text"/>
007	<input type="text"/>	<input type="text"/>	008	<input type="text"/>	<input type="text"/>

You may create a phone book entry by input the necessary information in their corresponding spaces. Click on **Save/Back** to save your entries. The Speed dial function will then be activated after you have saved an entry.

093	<input type="text"/>	<input type="text"/>	094	<input type="text"/>	<input type="text"/>
095	<input type="text"/>	<input type="text"/>	096	<input type="text"/>	<input type="text"/>
097	<input type="text"/>	<input type="text"/>	098	<input type="text"/>	<input type="text"/>
099	<input type="text"/>	<input type="text"/>	100	<input type="text"/>	<input type="text"/>

Save/Back

※When operating H.323 Protocol, you may enter the IP address instead of a phone number to create an entry when there is no gatekeeper or a voice gateway. Please use “*” instead of “.” when inputting an IP address. For example 192.168.1.21 should be entered as 192*168*1*21.

Nat Traversal Function

AirLive ePhone-1000 Supports Nat Traversal Functions ◦

STUN

Protocol settings					
protocol	SIP	use service	<input checked="" type="checkbox"/>	jitter size	<input type="text" value="0"/>
service type	<input type="text" value="common"/>	service addr	<input type="text" value="SIP Proxy addr"/>	service id	<input type="text"/>
nat traversal	<input type="text" value="stun"/>	nat addr	<input type="text" value="STUN Server addr"/>	nat ttl	<input type="text" value="30"/>

server address : Enter SIP Server IP address or Domain

nat traversal : Select STUN

nat addr : Enter STUN server IP address or Domain

OutBound Proxy

Protocol settings					
protocol	SIP	use service	<input checked="" type="checkbox"/>	jitter size	<input type="text" value="0"/>
service type	<input type="text" value="common"/>	service addr	<input type="text" value="outbound proxy addr"/>	service id	<input type="text" value="SIP Proxy addr"/>
nat traversal	<input type="text" value="disable"/>	nat addr	<input type="text"/>	nat ttl	<input type="text" value="30"/>

server address : Enter outbound proxy IP or Domain. Fill-in the port number is the UDP port is not 5060.

service id : Enter SIP proxy IP or Domain

nat traversal : Select disable

Registration Message

When the registration for **AirLive ePhone-1000** is successful, **Ready for Call** will appear on the screen. If the registration is not successful **hand Log fail** or **Wait Log** will appear.

Using AirLive ePhone-1000

To make a phone call

When dialing a call with the **AirLive ePhone-1000**, press “#” after the phone number.

Review call record

Press the “**Miss**” button to review any missed calls. Press “#” to return a missed call. Press **Vol.+** to view the next entry and Press **Vol.-** to view the previous entry.

Press the “**Ans**” button on to review any received calls. Press “#” to return a received call. Press **Vol.+** to view the next entry and Press **Vol.-** to view the previous entry.

Press the “**Called**” button on to review any dialed calls. Press “#” to redial a dialed call. Press **Vol. +** to view the next entry and Press **Vol.-** to view the previous entry.

AirLive ePhone-1000 can store a total of 80 Missed, Received and Dialed call entries. When entries exceed its number, the **AirLive ePhone-1000** deletes the oldest entry automatically. Records will be lost during power outage and reboot.

Speed Dial

The Speed Dial feature can only used when entries are stored in the Speed Dial Settings or in the phone book on web configuration.

Operating Instructions

Press the entry number and press **SPD/Hold** to use the speed dial function.

Mute

Press the “**Redial/Mute**” button during a conversation to mute the microphone.

Hold

Press “**SPD/Hold**” button during a conversation to hold a call.

Appendix

This table illustrates the conversion of numbers and symbols with the Keypad Keys

Number key	Press once	Press twice	Press 3 times	Press 4 times	Press 5 times
1	1	·	’	?	//!
2	2	A/a	B/b	C/c	【
3	3	D/d	E/e	F/f	】
4	4	G/g	H/h	I/i	*
5	5	J/j	K/k	L/l	
6	6	M/m	N/n	O/o	#
7	7	P/p	Q/q	R/r	S/s
8	8	T/t	U/u	V/v	
9	9	W/w	X/x	Y/y	Z/z
*	·				
#	0	Space	: / @	; / -	' / &
	Switch to upper/lower case				

H.323 sample web setting

When the **AirLive ePhone-1000** is operating using H.323 protocol, please change the below parameters.

Other settings remain the same.

(Contact your service provider for detail information)

Protocol settings					
protocol	SIP	use service	<input checked="" type="checkbox"/>	jitter size	<input type="text" value="0"/>
service type	<input type="text" value="common"/>	service addr	<input type="text"/>	service id	<input type="text"/>
nat traversal	<input type="text" value="citron"/>	nat addr	<input type="text"/>	nat ttl	<input type="text" value="30"/>
phone number	<input type="text"/>	account	<input type="text"/>	pin	<input type="text" value="*****"/>
register port	<input type="text" value="1719"/>	signal port	<input type="text" value="1720"/>	control port	<input type="text" value="1722"/>
register ttl	<input type="text" value="60"/>	rtp tos	<input type="text" value="0"/>	rtp port	<input type="text" value="1722"/>
local type	<input type="text" value="account"/>	call type	<input type="text" value="advanced"/>	dtmf	<input type="text" value="inband audio"/>

use service : Please check the box

service type : Select common unless specified.

service addr :

nat traversal : Select citron unless specified

phone number : Enter the phone number provided by the service provider

account : Enter your account number provided by the service provider (H.323 ID)

pin : Enter pin number provided by the service provider

Register port : 1719 unless specified.

Signal port : 1720 unless specified

Control port : 1722 unless specified

Rtp port : 1722 unless specified

Local type : account is the usual selection. Please select based upon the parameter provided by your service provider

Frequently Asked Questions

Question	Solution
LCD Error	Unplug the power supply, wait 5 seconds and then plug the power supply back.
LCD shows Wait Logon or Logon Failed	Check if the RJ-45 cable is connected properly and also confirm to see if the AirLive ePhone-1000 has successfully obtained an IP address. If an IP address is not obtained check to see if there are errors for network and account settings. Contact your service provider to check account setting.
LCD shows Ready for Call, but unable to dial	Call your service provider to check account settings.
Loud echo during conversation	Press Vol.- to decrease handset volume until there is no echo.
Static	Check all cables to see if they are connected properly.
Revert to factory default setting	<ol style="list-style-type: none"> 1. Press “1234*”. When “Booting....” Appear on the LED, release the “*” button. 2. When “Page0 running” appears on the LED, release the “*” button and then press “#5*5”. The AirLive ePhone-1000 reboots.

The AirLive ePhone-1000 Phone Tree Type Menu (administration)

————> Press Vol - key

- - - - -> Press Vol + key

