

CONTENTS

INTRODUCTION	1
MOUNTING RECOMMENDATIONS	2
FAN INSTALLATION	3
CONTROL FEATURES:	
4 SPEED	6
TROUBLESHOOTING	9

READ AND SAVE THESE INSTRUCTIONS

SAFETY FIRST

Safety and the proper operation of your Casablanca fan both require a thorough knowledge of the product and proper installation; therefore, before attempting to install and operate your Casablanca fan, read this owner's manual completely and carefully. Retain this manual for future reference.

CAUTION: To avoid possible electrical shock, make certain that electricity is turned off at the circuit breaker or fuse box before attempting any installation procedure.

BEFORE YOU START

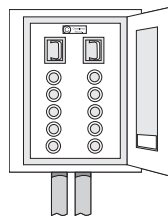
- This fan is designed to be installed on an existing electrical outlet box. The outlet box must be UL Listed for ceiling fan installations, if it is not, a new box must be installed. Casablanca extension poles are available for sloped or high ceiling installations.
- This ceiling fan requires a grounded electrical supply of 120 VAC, 60 Hz and a minimum 15 amp circuit. The maximum current requirement for the fan with light fixture is 3.8 amps. The fan uses about 1 amp or 100 watts. Maximum light current is 2.8 amps or 340 watts of lighting.
- Where wire nuts are employed, be sure all bare wires are within the connectors. When installing the canopy hatch, make sure all wires are within the canopy and that no wires are being pinched.

For best performance and for your warranty to be valid, use only genuine Casablanca blades, light fixtures, and accessories.

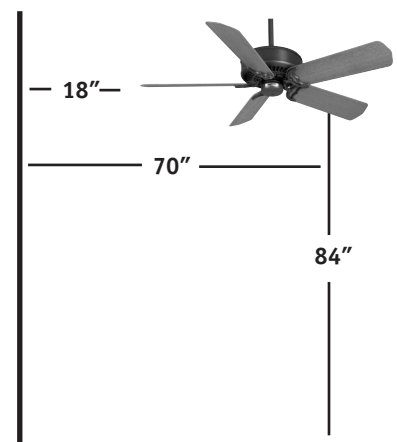
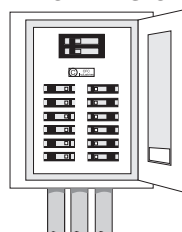
SAFE USE

- The blades in each pack are matched for equal weight to assure smooth fan operation. If more than one fan is being installed, be careful not to mix blades from different cartons.
- Inspect the contents of your carton for possible shipping or handling damage and report any such damage directly to your authorized Casablanca dealer.
- It is always a good idea to have an assistant to help with the installation.
- When cleaning, painting, or working near your fan, be very careful of the fan and blades. Always turn the power OFF to the ceiling fan before servicing it, working on it, or replacing light bulbs.
- Never insert anything into the path of the fan blades while the fan is in operation.
- Never install a fan over a pool or spa.
- Never operate a fan that has been damaged in any way. Contact Casablanca Fan Company by calling toll free 1-888-227-2178, or contact your local authorized Casablanca dealer for assistance in obtaining service.

**FUSE BOX
(REMOVE FUSE FOR THE
CIRCUIT YOU WILL BE
WORKING ON)**



**CIRCUIT BREAKER
(TRIP BREAKER FOR THE
CIRCUIT YOU WILL BE
WORKING ON)**



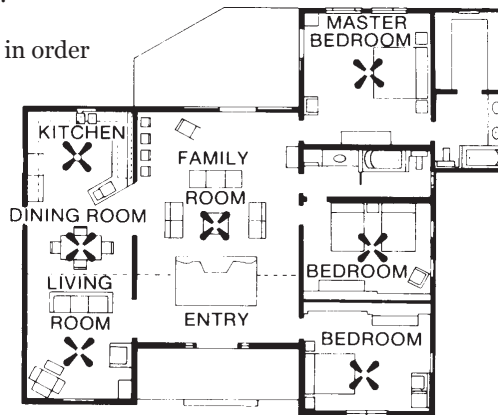
MOUNTING RECOMMENDATIONS

Before mounting your Casablanca fan, read the following helpful recommendations. The location of the fan, air circulation, and fan size are all important factors to consider before installation.

Location

Ceiling fans have practical uses in almost every room in your home. We suggest you follow these mounting recommendations as you decide where to install your Casablanca fan.

- For safety reasons, the fan blades must be a minimum of 7' above the floor.
- Do not locate the fan in a doorway or above a swinging door.
- In any installation, the tips of the blades must be at least 18" from the wall in order to provide sufficient clearance for the blades.
- In bedrooms, fans work best when mounted above the foot of the bed.
- Over pool tables, be sure to provide plenty of clearance to avoid damage from pool cues.
- In kitchens be sure to allow for open cupboard doors to clear the fan blades.
- Do not install a fan close to, or over, a pool or spa. High humidity combined with corrosive gases will destroy the finish and warp the blades.



Fan Size

Variable fan speed capability permits the use of a full-size 52" fan even in smaller rooms. For very large rooms, two fans may be needed.

SLOPED CEILING INSTALLATIONS

Suggested Extension Pole	
Ceiling Height	Pole Length
8"	Standard
8' 6"	Standard
9"	6"
9' 6"	12"
10"	12"
11"	18"
12"	24"
13"	36"
14"	48"

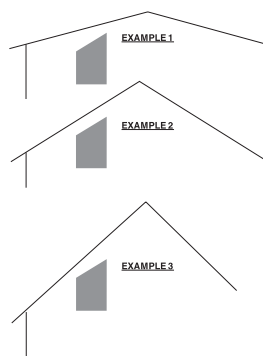
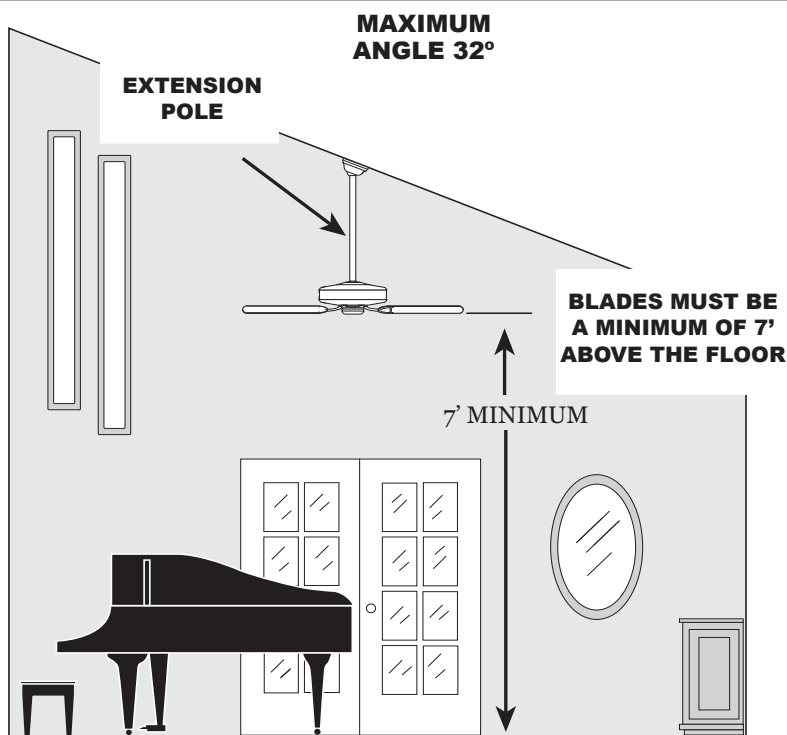
When to Use Extension Poles

For best performance and best appearance, an extension pole should be used with your Casablanca fan when installing on high (cathedral) ceilings or sloped ceilings. Casablanca offers standard poles in increments of 6" up to 5". Custom poles are available in lengths up to 9'9". See your Authorized Casablanca Dealer for details.

Note: Fan may wobble or vibrate if pole length is not long enough and inside blade is too close to downslope or side wall. Extending pole length will usually solve problem.

Calculation of 32°

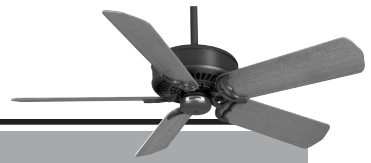
Use the tear-off *Ceiling Angle Template* card inserted in the back of this manual, it provides you with a simple 'go' or 'no-go' for installing your fan on a sloped ceiling.



EXAMPLE 1
This slope is less than 32°. It is OK to install your fan.

EXAMPLE 2
This slope is 32°. This is the maximum slope that will allow the fan to hang straight down. It is OK to install your fan.

EXAMPLE 3
This slope is more than 32°. Your fan will not hang straight down, an adaptor is necessary. Contact your local Authorized Casablanca Dealer in regards to purchasing a "Slope Ceiling Adaptor."



INSTALLATION INSTRUCTIONS

Unpacking: Before assembling and installing your ceiling fan, remove all parts from the shipping cartons and check them against the parts listed here. Before discarding packaging material, be certain that all parts have been removed.

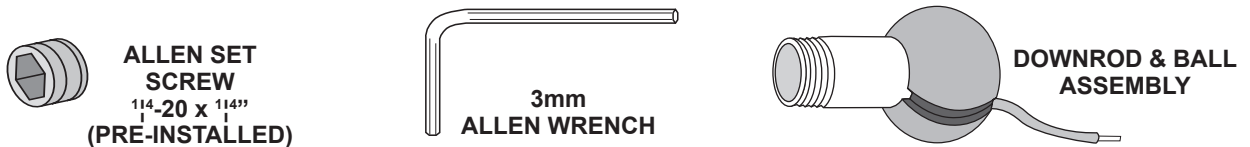
GETTING STARTED

Carton Contents

The fan carton contains the fan body, warranty card, owner's manual, and all the parts necessary (except blades) to assemble and install your Casablanca ceiling fan. These parts are shown at the start of each installation section. before you start, go through thie Owner's manulas and confirm thaat you have all the parts shown in each section. Be Sure to use only genuine Casablanca blades, The blade shrink wrap holds 5 blades of matched weight. If more than one fan is being installed, be sure not to mix blade sets

Caution: When removing the shrink wrap, be careful not to scratch the blades.

PERMA•LOCK™ HARDWARE



FAN PREPARATION

IMPORTANT SAFETY INFORMATION!
BEFORE STARTING THE INSTALLATION OF YOUR CEILING FAN, INSTALL THE THREADED DOWNROD INTO THE MOTOR COUPLING AND LOCK THE ASSEMBLY

Prepare for fan installation as follows:

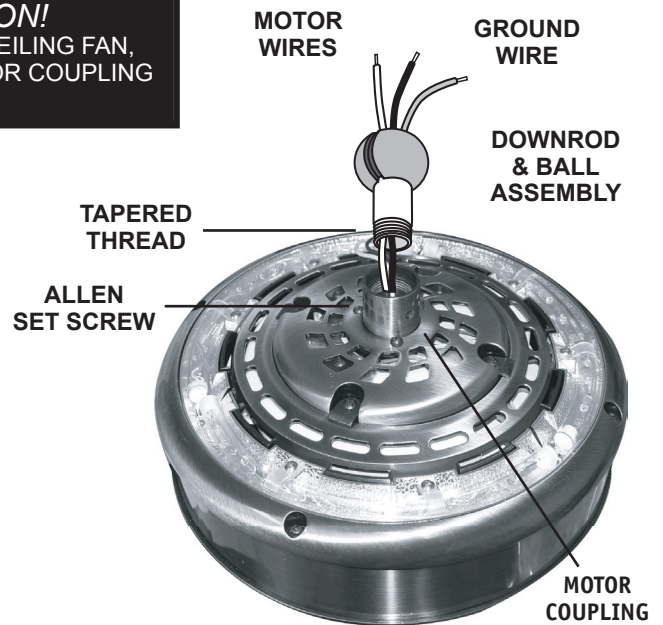
Step A. Route the wires from the motor through the Perma•Lock™ downrod and ball assembly.

Tip: The downrod has a tapered thread that is designed to lock completely when correctly installed.

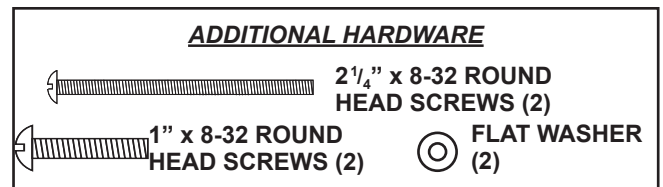
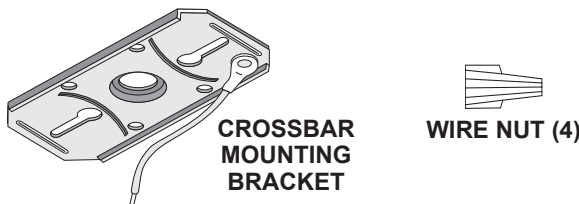
Step B. Using the provided allen wrench, loosen the set screw several turns to allow installation of the downrod. Thread the downrod into the motor coupling until it stops turning, this will take at least four and a half full turns.

Step C. Securely tighten the set screw with the provided allen wrench to ensure safe operation of your fan.

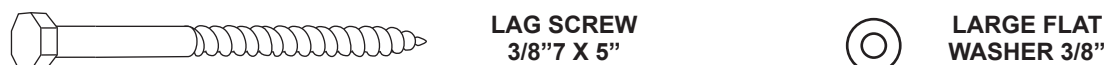
CAUTION: Failure to fully lock in the downrod before securely tightening the set screw may cause the fan to separate from the downrod during normal operation!



CEILING HARDWARE



SUPPORT INSTALLATION



CROSSBAR MOUNTING BRACKET INSTALLATION

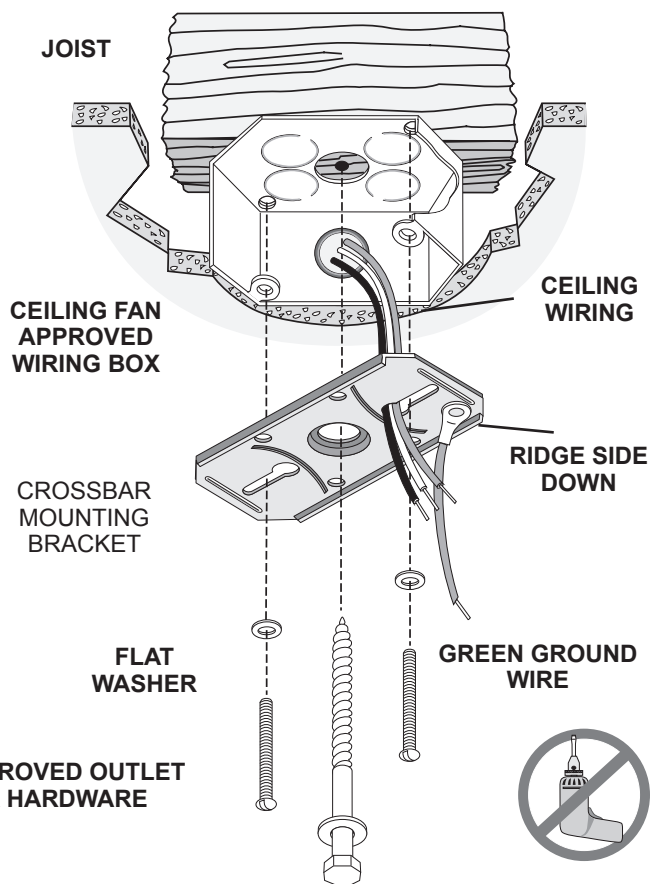
Note: After removing the old fixture, check the outlet box to insure that it is supported by a joist or beam across its upper surface. If not, a 2" x 4" stud must be installed.

Step 1. Remove the knockout plug in the center of the outlet box or drill a 1/2" hole for the lag screw to pass through. Then drill a 1/4" guide hole into the joist or beam to a depth of 3".

Step 2. Route the outlet box wires through the keyhole slot of the crossbar mounting bracket as shown. Attach the crossbar mounting bracket to outlet box with screws provided, assuring that the outlet box wires are not pinched by the washer.

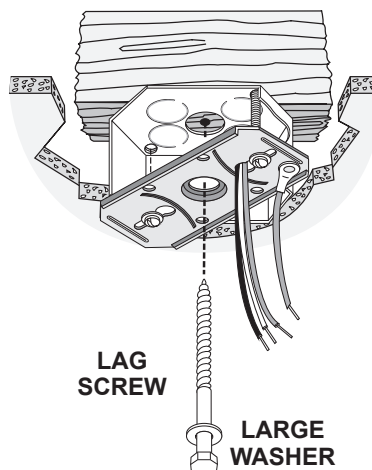
CAUTION: To reduce the risk of personal injury, use only the mounting hardware provided with the approved outlet box to install the crossbar mounting bracket.

WARNING!
SUPPORT DIRECTLY TO
BUILDING STRUCTURE ONLY.



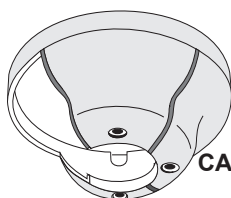
LAG SCREW INSTALLATION

Step 3. With the large washer attached, pass the lag screw through the center hole of the crossbar mounting bracket and screw into guide hole. Tighten until outlet box is firmly mounted to beam. This box must be firmly secured to the ceiling. We recommend that the ceiling fixture outlet box be of sufficient capacity enabling it to support the weight of fan and light fixture under any conditions.

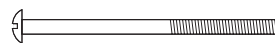


CANOPY HARDWARE

CANOPY HATCH



CANOPY



CANOPY SCREW (4)



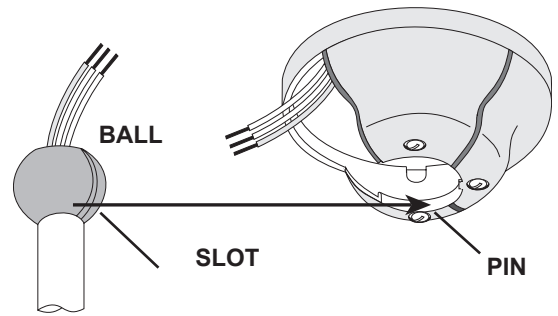
CANOPY LOCK WASHER (4)



HANGING THE FAN

Step 4. To hang the fan body in the canopy, hold the fan body firmly and insert the ball into the canopy opening. Check that no wires were pinched. Rotate the fan body until the slot in the nylon ball fits into the pin opposite the canopy opening.

NOTE: Independent control of the light fixture using a W-81 requires an additional power wire run from the wall switch to the fan. See Page 10 for wiring.



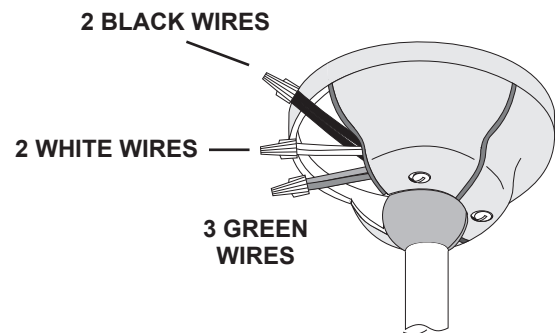
Fan Weighs 27 lbs

CANOPY ELECTRICAL CONNECTIONS

Step 4a. Attach the fan wires to the ceiling fixture outlet box wiring by twisting the bare ends of the wires together and then securing with a wire nut. Test that the connection is secure by pulling on the wire nut. Connect in this order:

Step 4b. Wiring Connections

- GREEN leads from mounting plate and fan to GROUND conductor of power source. Secure with wire nut.
- WHITE wire from fan to white NEUTRAL wire in ceiling fixture outlet box. Secure with wire nut.
- BLACK power wire from fan to BLACK power wire in ceiling outlet box. Secure with wire nut.



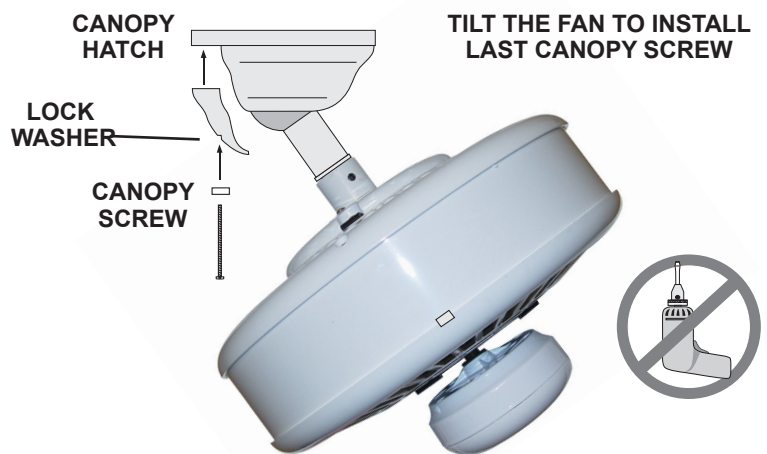
CANOPY HATCH INSTALLATION

Step 5. Tuck the wires into the canopy with the wire nuts pointed upwards, so that the WHITE and BLACK wires are on opposite sides of the canopy and all wires are clear of the canopy opening.

Step 6. Install canopy hatch with the last canopy screw and lock washer. To do this, tilt the fan body away from the hatch opening.

Tighten the screws firmly by hand only,

Step 7. Straighten the fan, then check to ensure that there is no movement between the canopy and ceiling or Hang-Tru ball and top support shaft.



BLADE HOLDER & BLADE

Step 8.

Attach the blades to the blade holders with the three blade screws and felt washers provided for each blade.

Hand tighten securely.

Install the assembled blade and blade holder to the flywheel (round holes) or direct drive motor.

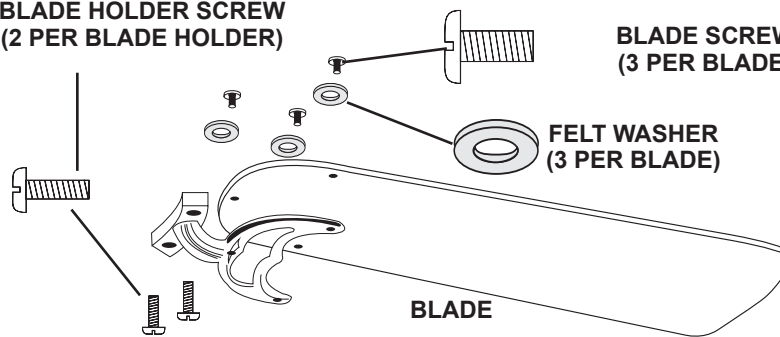
Hand tighten securely.

Repeat for each assembly.

BLADE HOLDER SCREW
(2 PER BLADE HOLDER)

BLADE SCREW
(3 PER BLADE)

FELT WASHER
(3 PER BLADE)



WARNING: To reduce the risk of personal injury, do not bend blade holders when installing, balancing, or cleaning. Do not insert foreign objects between rotating fan blades.





4 - SPEED OPERATION

Pull-chain switches on the fan control the fan and lights.
Using the fan control pull-chain switch: Fan off at start.

First pull: fan ON, High speed

Second pull: Medium speed

Third pull: Medium Low speed

Fourth pull: Low speed

Fifth pull: Fan OFF

The sequence of Light pull chain as follows:

Light off at Start

First pull: Up Light

Second pull: Down Light (Optional Light Kit If Installed)

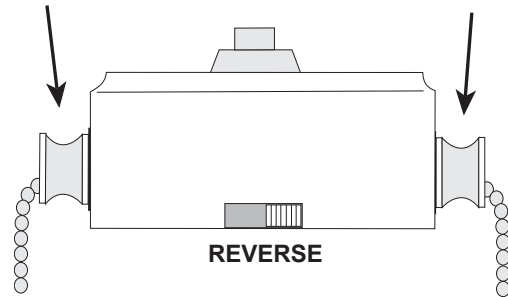
Third pull: Up & Down Light

Fourth pull: Off

Direction of blade rotation is controlled by the reverse slide switch on the side of the switch housing. No changes in household wiring are required.

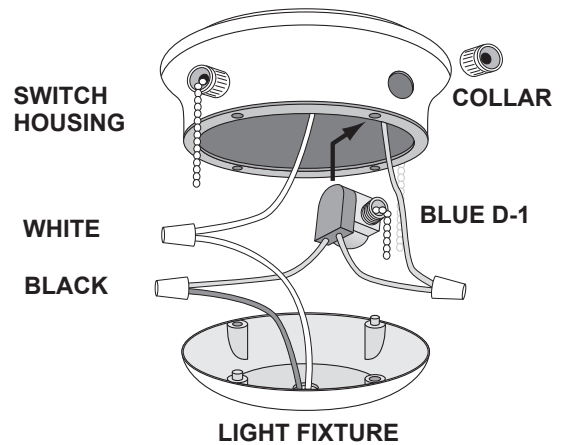
OPTIONAL LIGHT PULL CHAIN SWITCH

FAN & SPEED CONTROL PULL CHAIN SWITCH



4 - SPEED OPTIONAL LIGHT FIXTURE INSTALLATION

1. Refer to light kit instructions to assemble and attach your light kit correctly.
2. Remove the two 8-32 screws from the switch housing cap.
3. Remove the plug from switch housing.
4. Install pull-chain switch and Finger tighten collar on switch.
5. Connect one wire from pull-chain switch to the BLUE D1-Option wire. Secure splice with a wire nut.
6. Connect other wire from pull-chain switch to BLACK wire from light kit. Secure splice with a wire nut.
7. Connect WHITE wire from switch housing to WHITE wire from light kit. Secure splice with a wire nut.
8. At the canopy, connect the BLACK and BLUE wires.



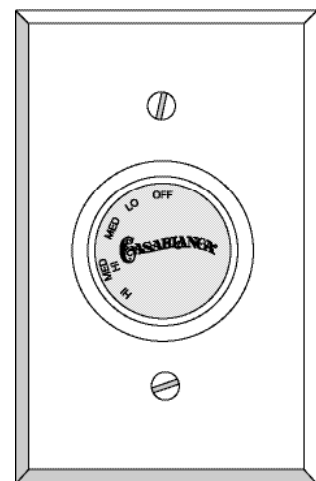
4 - SPEED OPTIONAL WALL CONTROL W-41

The W-41 wall control provides four-speed control of fan from a convenient wall location. The W-41 is designed to replace a standard wall switch and will fit wall boxes with a depth of 2" or greater. **Not for use with single pull-chain fan/light option wiring.** To install a W-41 wall control in place of an existing wall switch, follow the instructions on the W-41 package. Note: No rewiring is required if the fan is replacing an existing light Fixture.

Operation of the fan from the wall switch is simple:

1. Turn knob to obtain desired speed setting.

CAUTION! Failure to set the pull-chain speed to HIGH can result in faulty operation of the fan and damage to the W-41 wall control. To confirm fan is set to HIGH: Turn W-41 fan speed switch to 'HI' - set fastest fan speed with pull chain.



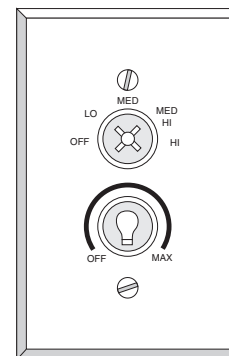
4 - SPEED OPTIONAL WALL CONTROL W-81

The W-81 wall control provides separate control of fan and light with two separate knobs from a convenient wall location. The W-81 is designed to replace a standard wall switch and wall boxes with a depth of 2" or greater. Requires two hot leads from wall box to ceiling wiring box.

To install a W-81 wall control in place of an existing wall switch, follow the instructions on the W-81 package.

Operation of the fan from the wall switch is simple:

1. Turn the upper knob to the desired fan speed.
2. Turn the lower knob to the desired light setting.

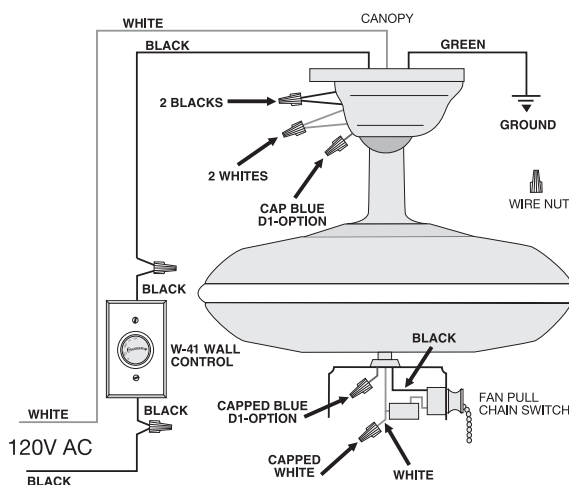


CAUTION! Failure to set the pull-chain speed to HIGH can result in faulty operation of the fan and damage to the W-81 wall control. To confirm fan is set to HIGH: Turn W-81 fan speed switch to 'HI' - set fastest fan speed with pull chain.

4 - SPEED W-41 WALL CONTROL OF THE FAN

- The W-41 allows the choice of four (4) different speed settings.
- No light fixture is used.
- Set the FAN pull chain switch to the HIGH speed setting.
- No changes in household or fan wiring are required.
- The fan may be turned ON and OFF by the W-41 wall control.

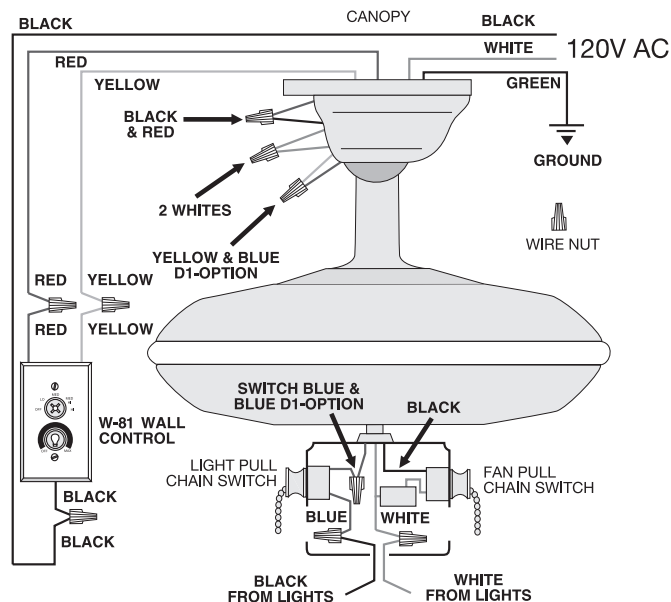
CAUTION! Failure to set the pull-chain speed to HIGH can result in faulty operation of the fan and damage to the W-41 wall control. To confirm fan is set to HIGH: Turn W-41 fan speed switch to 'HI' - set fastest fan speed with pull chain.



4 - SPEED W-81 WALL CONTROL OF THE FAN & LIGHT

- The fan may be turned ON and OFF by the W-81 wall control.
- The lights may be turned ON and OFF by the W-81 and the intensity adjusted from low to high.
- The fan must be supplied with two independent 120V AC supply wires.
- Set the FAN pull chain switch to the HIGH speed setting.
- Turn the lights ON at the fan.
- The W-81 allows the choice of four (4) different speed settings.

CAUTION! Failure to set the pull-chain speed to HIGH can result in faulty operation of the fan and damage to the W-81 wall control. To confirm fan is set to HIGH: Turn W-81 fan speed switch to 'HI' - set fastest fan speed with pull chain.





TROUBLESHOOTING

BEFORE REQUESTING SERVICE:

Please follow this troubleshooting guide before contacting your dealer for assistance.

Caring for Finishes: For cleaning, a soft brush or lint-free cloth should be used to prevent scratching the finish. A vacuum cleaner brush nozzle can remove heavier dust. Surface smudges or an accumulation of dirt and dust can easily be removed by using a mild detergent and slightly dampened soft cloth. An antistatic agent may be used, but **never** use abrasive cleaning agents. These will damage the finish. Painted and high-gloss blades may be cleaned in the same manner.

Blades: Wood finish blades should be cleaned with a furniture polishing cloth. Occasionally, a light coat of furniture polish may be applied for added protection and beauty.

Never Lubricate this Fan!

The precision motor at the heart of your Airflow fan features sealed bearings that are lubricated for life. Do not attempt to oil the motor.

Changing Light Bulbs

Be sure to turn power to the fan OFF at the wall switch or circuit breaker before changing light bulbs. Replace bulbs with same type as removed from the fixture. Each fan is rated for a maximum **TOTAL** wattage of lighting.

Exceeding the rated maximum allowable wattage for the fan will burn out the fan electronics module and void the warranty.

PROBLEM

POSSIBLE REMEDIES

FAN WILL NOT START	<ul style="list-style-type: none"> •Check main circuit fuses, circuit breakers, or wall switch position. Check all wire connections, making sure the power is turned off during this inspection. •Pin connectors are not making good contact. Check the connections in the switch housing and under the top cover. •Battery weak - install fresh battery. •Fan receiver defective - replace. •Check receiver (fan) and transmitter (remote control) dip switch settings to see if they are both set to the same frequency.
FAN WOBBLER OR SHAKES EXCESSIVELY	<ul style="list-style-type: none"> •Be sure canopy pin is properly set into the slot on the ball. •Check that bladeholders have not been bent during installation and blades are balanced. •Hanger bracket and/or ceiling outlet are loosely attached: Make sure that the hanger bracket is tightly attached to the ceiling outlet box. Make sure that the downrod assembly is secured firmly •Downrod is loosely attached to downrod base: Make sure that all screws are securely tightened
FAN NOISY DURING OPERATION	<ul style="list-style-type: none"> •Check and tighten light fixture retaining screws, glass shade screws and/or the light bulb(s). •Tighten canopy screws and mounting plate assembly. Check that the wire nuts inside the canopy and switch housing are not touching the metal parts or have fallen off the wire splices. Tighten as necessary. •Tighten blade holders to flywheel (or direct drive motor)/and blade to bladeholder screws. •Make sure all screws in the motor housing are snug, but not overly tight. Defective bulb: Replace bulb.
DOES NOT RUN ON LOW SPEED	<ul style="list-style-type: none"> •If new, "break-in" may be required - run at higher speed for several days.
BATTERY LIFE SEEMS SHORT	<ul style="list-style-type: none"> •Not using Alkaline batteries: Replace with Alkaline batteries.

FAN RUNS SLOWLY IN EITHER DIRECTION IF ROTATION IS STARTED BY HAND; WILL NOT REVERSE: Defective reverse switch; defective capacitor; or open motor winding: Replace reverse switch assembly; replace PCB assembly; or replace motor unit.

FAN WILL NOT OPERATE AT PROPER SPEEDS OR WILL NOT OPERATE AT ANY SPEED: Defective three-speed pull-chain switch assembly; or defective capacitor: Replace three-speed pull-chain switch assembly; or replace PCB

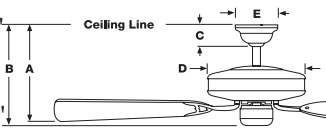
PRODUCT SPECIFICATIONS

Model Name: Panama[®] Halo
Model Number: 66HXXF

Motor: XTR200[®] x 20mm
Blade Span: 42" or 50"
Blade Iron Pitch: 20°
No. of Blades: 5
Technology: 4-Speed

Dimensions: A = 10.75"
B = 12.46"
C = 3"
D = 13.43"
E = 5.6"

NOTE: Dimension B includes light fixture and glass.



Weight: 27 lbs.

Airflow*: 6,480 cfm
Electricity Use*: 84 watts
Airflow Efficiency*: 73 cfm/watt

* Performance data is for fan only. No lighting wattage is included. Measurements taken with 21" basic blades.