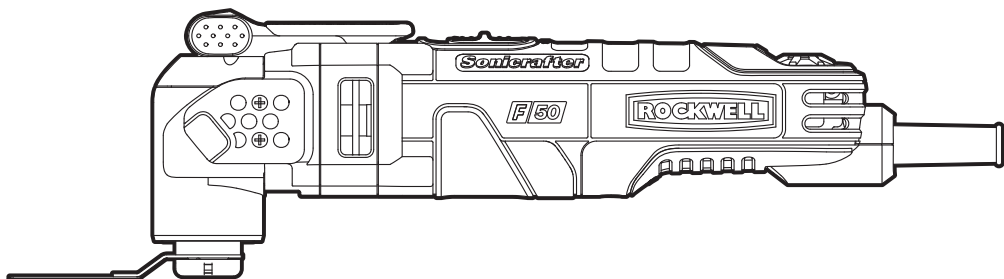


# ROCKWELL®



## **Sonicrafter® F50**

**4.0A OSCILLATING TOOL**

**PAGE 6 ENG**

**4.0A DE OSCILANTE HERRAMIENTA**

**PAGE 11 ESP**

**OSCILLANT OUTIL À 4.0A**

**PAGE 16 FRE**

**RK5141K**

Thank you for purchasing a ROCKWELL® power tool. We are confident that you will appreciate the quality of the product and you will be entirely satisfied with your purchase. Please read carefully the user safety and operating instructions on how to operate this product correctly within safety norms and regulations.

Gracias por su compra de un producto ROCKWELL®. Estamos seguros de que apreciará la calidad del producto y de que estará completamente satisfecho con su compra. Lea cuidadosamente las instrucciones de seguridad y de operación para obtener mayor información acerca de cómo utilizar éste producto correctamente dentro de las normas y reglas de seguridad.

Merci d'avoir choisi un produit de marque ROCKWELL®. Nous sommes certains que vous apprécierez la qualité de ce produit et qu'il saura vous satisfaire. Pour être renseigné sur toutes les méthodes de travail correctes et sécuritaires répondant aux normes et règlements de sécurité, veuillez lire attentivement la notice de sécurité et de fonctionnement présentée.

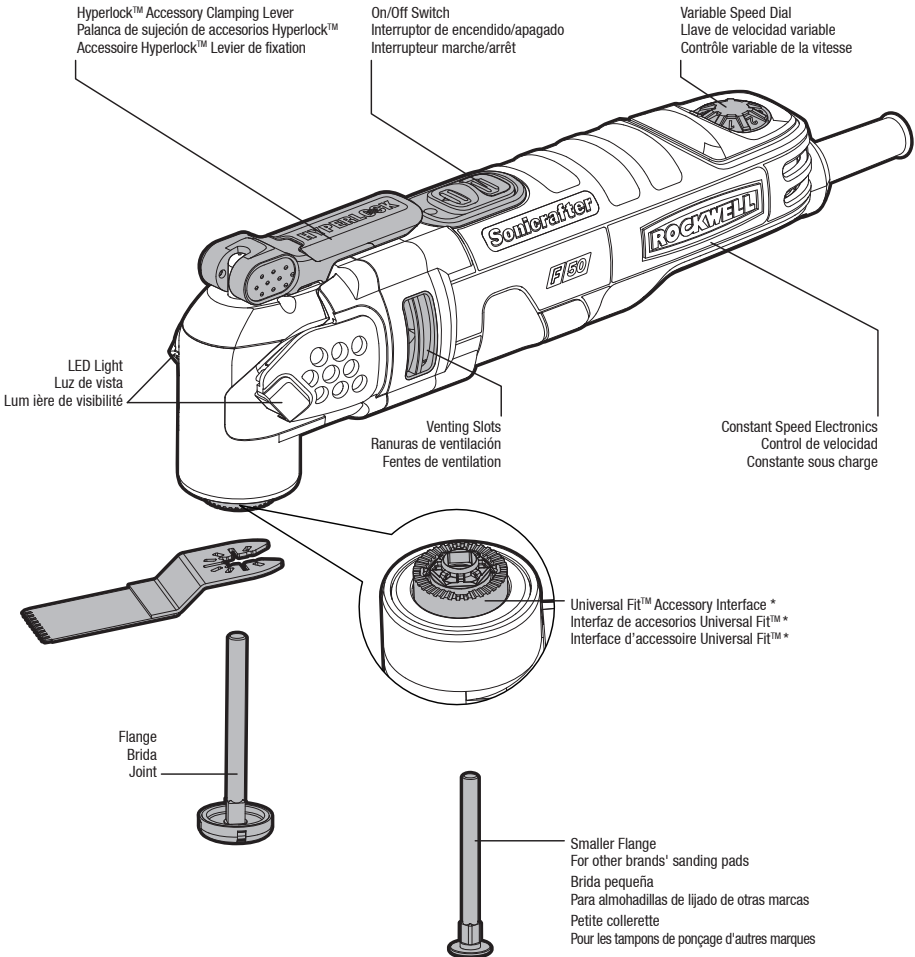


Visit us on the web at [www.rockwelltools.com](http://www.rockwelltools.com)





# RK5141K



\* Works with other oscillating tool brands' accessories.

The following brands are trademarks owned by third parties which may be registered by their respective owners:

Black & Decker®, Bosch®, Chicago Electric®, Craftsman®, Dremel®, Fein®, Genesis®, Makita®, Mastercraft®, Milwaukee®, Performax®, Porter Cable®, Ridgid®, Ryobi®, Skil®, and Tool Shop®.

\* Funciona con los accesorios de herramientas oscilantes de otras marcas.

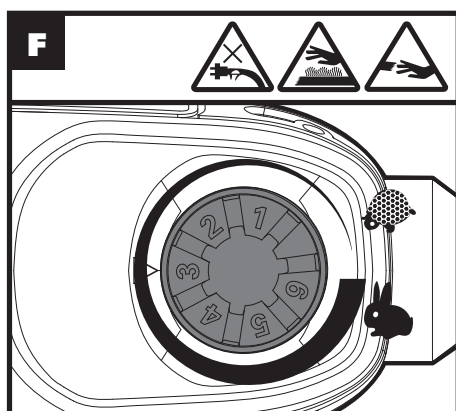
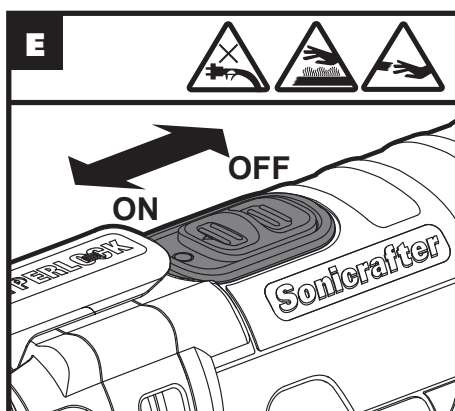
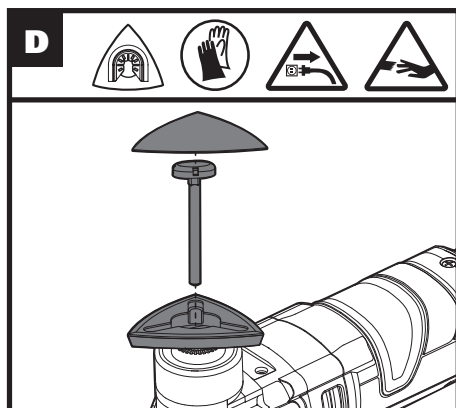
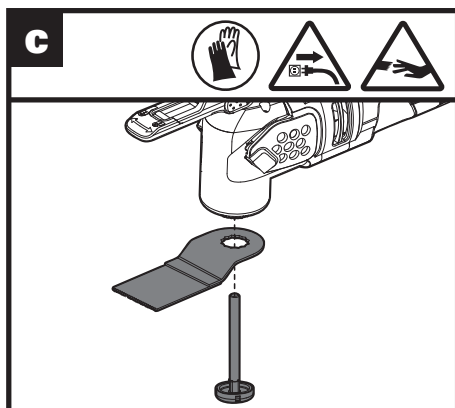
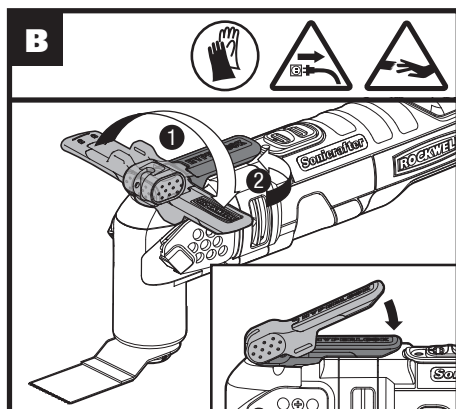
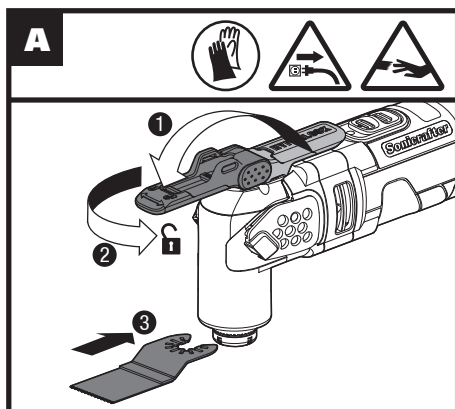
Las siguientes marcas son marcas comerciales propiedad de terceros que podrían estar registradas por sus respectivos dueños:

Black & Decker®, Bosch®, Chicago Electric®, Craftsman®, Dremel®, Fein®, Genesis®, Makita®, Mastercraft®, Milwaukee®, Performax®, Porter Cable®, Ridgid®, Ryobi®, Skil®, y Tool Shop®.

\* Fonctionne avec les accessoires d'outils à oscillations d'autres marques.

Les marques suivantes sont des marques commerciales appartenant à des tiers qui peuvent être déposées par leurs propriétaires respectifs: Black & Decker®, Bosch®, Chicago Electric®, Craftsman®, Dremel®, Fein®, Genesis®, Makita®, Mastercraft®, Milwaukee®, Performax®, Porter Cable®, Ridgid®, Ryobi®, Skil®, et Tool Shop®.

# RK5141K



We recommend that you purchase your accessories listed in the above list from the same store that sold you the tool. Use good quality accessories marked with a well-known brand name. Refer to the accessory packaging for further details. Store personnel can assist you and offer advice.

**WARNING:** Some dust created by power sanding, sawing, grinding, drilling and other construction activities contains chemicals known to the State of California to cause cancer, birth defects or other reproductive harm. Some examples of these chemicals are:

- Lead from lead-based paints;
- Crystalline silica from bricks and cement and other masonry products and
- Arsenic and chromium from chemically-treated lumber.

Your risk from these exposures varies, depending on how often you do this type of work. To reduce your exposure to these chemicals, work in a well ventilated area, and work with approved safety equipment, such as those dust masks that are specially designed to filter out microscopic particles.

**WARNING:** This product maybe contains lead, phthalate or other chemicals known to the State of California to cause cancer, birth defects and other reproductive harm. Please wash your hands after use.

## GENERAL POWER TOOL SAFETY WARNINGS

**WARNING:** Read all safety warnings and instructions. Failure to follow the warnings and instructions may result in electric shock, fire and/or serious injury.

Save all warnings and instructions for future reference.

The term power tool in the warnings refers to your electric (corded) power tool or battery-operated (cordless) power tool.

### 1. WORK AREA SAFETY

- a) **Keep work area clean and well lit.** Cluttered or dark areas invite accidents.
- b) **Do not operate power tools in explosive**

**atmospheres, such as in the presence of flammable liquids, gases or dust.** Power tools create sparks which may ignite the dust or fumes.

- c) **Keep children and bystanders away while operating a power tool.** Distractions can cause you to lose control.

### 2. ELECTRICAL SAFETY

- a) **Power tool plugs must match the outlet. Never modify the plug in any way. Do not use any adapter plugs with grounded power tools.** Unmodified plugs and matching outlets will reduce risk of electric shock.
- b) **Avoid body contact with grounded surfaces such as pipes, radiators, ranges and refrigerators.** There is an increased risk of electric shock if your body is grounded.
- c) **Do not expose power tools to rain or wet conditions.** Water entering a power tool will increase the risk of electric shock.
- d) **Do not abuse the cord. Never use the cord for carrying, pulling or unplugging the power tool. Keep cord away from heat, oil, sharp edges or moving parts.** Damaged or entangled cords increase the risk of electric shock.
- e) **When operating a power tool outdoors, use an extension cord suitable for outdoor use.** Use of a cord suitable for outdoor use reduces the risk of electric shock.
- f) **If operating a power tool in a damp location is unavoidable, use a residual current device (RCD) protected supply.** Use of an RCD reduces the risk of electric shock.

### 3. PERSONAL SAFETY

- a) **Stay alert, watch what you are doing and use common sense when operating a power tool. Do not use a power tool while you are tired or under the influence of drugs, alcohol or medication.** A moment of inattention while operating power tools may result in serious personal injury.
- b) **Use personal protective equipment. Always wear eye protection.** Protective equipment such as dust mask, non-skid safety shoes, hard hat, or hearing protection used for appropriate conditions will reduce personal injuries.
- c) **Prevent unintentional starting. Ensure the switch is in the off-position before connecting**

**to power source and/or battery pack, picking up or carrying the tool.** Carrying power tools with your finger on the switch or energizing power tools that have the switch on invites accidents.

- d) Remove any adjusting key or wrench before turning the power tool on.** A wrench or a key left attached to a rotating part of the power tool may result in personal injury.
- e) Do not overreach. Keep proper footing and balance at all times.** This enables better control of the power tool in unexpected situations.
- f) Dress properly. Do not wear loose clothing or jewelry. Keep your hair, clothing and gloves away from moving parts.** Loose clothes, jewelry or long hair can be caught in moving parts.
- g) If devices are provided for the connection of dust extraction and collection facilities, ensure these are connected and properly used.** Use of dust collection can reduce dust-related hazards.

#### 4. POWER TOOL USE AND CARE

- a) Do not force the power tool. Use the correct power tool for your application.** The correct power tool will do the job better and safer at the rate for which it was designed.
- b) Do not use the power tool if the switch does not turn it on and off.** Any power tool that cannot be controlled with the switch is dangerous and must be repaired.
- c) Disconnect the plug from the power source and/or the battery pack from the power tool before making any adjustments, changing accessories, or storing power tools.** Such preventive safety measures reduce the risk of starting the power tool accidentally.
- d) Store idle power tools out of the reach of children and do not allow persons unfamiliar with the power tool or these instructions to operate the power tool.** Power tools are dangerous in the hands of untrained users.
- e) Maintain power tools. Check for misalignment or binding of moving parts, breakage of parts and any other condition that may affect the power tools operation. If damaged, have the power tool repaired before use.** Many accidents are caused by poorly maintained power tools.
- f) Keep cutting tools sharp and clean.** Properly maintained cutting tools with sharp cutting edges

are less likely to bind and are easier to control.

- g) Use the power tool, accessories and tool bits etc., in accordance with these instructions and in the manner intended for the particular type of power tool, taking into account the working conditions and the work to be performed.** Use of the power tool for operations different from those intended could result in a hazardous situation.

#### 5. SERVICE

- a) Have your power tool serviced by a qualified repair person using only identical replacement parts.** This will ensure that the safety of the power tool is maintained.

---

## SAFETY INSTRUCTION FOR CUTTING

- 1. Hold power tool by insulated gripping surfaces, when performing an operation where the cutting accessory may contact hidden wiring or its own cord.** Cutting accessory contacting a "live" wire may make exposed metal parts of the power tool "live" and could give the operator an electric shock.
- 2. Use clamps or another practical way to secure and support the workpiece to a stable platform.** Holding the work by hand or against your body leaves it unstable and may lead to loss of control.

## SYMBOLS

	WARNING-To reduce the risk of injury, user must read instruction manual
	Double insulation
	Warning
	Wear ear protection
	Wear eye protection
	Wear dust mask
	Wear protective gloves
	Make sure the tool is unplugged prior to changing accessories.
	Before working with your tool make sure that no power cords will be damaged.
	Avoid danger of injury from the sharp edges of the accessories.
	Accessories can become very hot while working, presenting danger of burns!
	High oscillation frequency
	Low oscillation frequency

## TECHNICAL DATA

Rated voltage	120 V~60 Hz
Amps	4.0 A
Oscillations speed	11000-20000/min
Oscillations angle	5.0°
Protection class	□/II
Tool weight (without power cable)	3.3 lbs

## OPERATING INSTRUCTIONS



**NOTE:** Before using the tool, read the instruction book carefully.

### Assembly and Operation

Action	Figure
Mounting Accessories	See Fig. A-C
Mounting the Sanding Sheet	See Fig. D
Operating the On/Off Switch	See Fig. E
Using the Variable Speed Dial	See Fig. F

The Variable Speed Dial can be used to set the optimum oscillating frequency according to the accessories used and the respective application.

Oscillation frequency	Application
High oscillation frequency:	Sanding, Sawing, Rasping and Polishing Stone and Metal.
Low oscillation frequency:	Scraping, Polishing Varnishes.


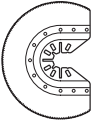

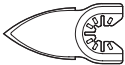

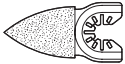

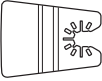


## APPLICATION

**WARNING:** The sawing teeth are very sharp. Do not touch during mounting and application.  
 The workpiece must be clamped tightly before it is cut.

### Universal Fit™ accessories available from Rockwell

Accessories work with other competitive tools.

	Pic	Name	Application
Sawing		Bi-Metal Metal/Wood End Cut Blade	Wood, plastic, fiberglass, nails, non-ferrous metals, thin sheet metal, hardened fillers.
		Standard Wood End Cut Blade	Wood, plastic, drywall.
		Precision Wood Cut Blade	Wood, soft plastics.
		HSS Semicircle Saw Blade	Thin wood, plastic, fiberglass, non-ferrous metals, thin sheet metal, hardened fillers, window glazing.
Sanding		Sanding Pad (Perforated)	Wood, plastic, hardened fillers.
		Sanding Finger Pad	Wood, plastic, hardened fillers.
Rasping		Triangular Carbide Grit Rasp	Wood, hardened adhesives, thin set, masonry.
		Carbide Rasp (Finger Shaped)	Wood, hardened adhesives, thin set, masonry.
Removing grout		Carbide Grit Semicircle Saw Blade	Grout, porous concrete, masonry.
		Diamond-Coated Semicircle Saw Blade	Ceramic and stone tile, backerboard.
Scraping		Rigid Scraper Blade	Old paint, hardened adhesives, caulk, carpet.
		Flexible Scraper Blade	Elastic sealants, paint, adhesive residues, carpet.

**NOTE:** When plunging and sawing use a slight pendulum motion, to allow sufficient chip removal.

The saw blade lasts longer if the wear is distributed evenly. To ensure an even distribution, loosen the saw blade, rotate it and retighten firmly.

Cut/Sand with a constant movement and light pressure.

Heavy pressure does not increase the cut/removal rate – the accessory merely wears faster.

## WORKING HINTS FOR YOUR TOOL:

If your power tool becomes too hot, especially when used at low speed, set the speed to maximum and run it with no load for 2-3 minutes to cool the motor. Avoid prolonged usage at very low speeds. Always keep the blade sharp.

Always ensure the workpiece is firmly held or clamped to prevent movement.

Any movement of the material may affect the quality of the cutting or sanding finish.

Start your tool before working and turn it off only after you stop working.

Do not start sanding without having the sandpaper fitted.

Do not allow the sandpaper to wear away, it will damage the sanding pad. The guarantee does not cover sanding pad wear and tear.

Use coarse grit paper to sand rough surfaces, medium grit for smooth surfaces and fine grit for finishing surfaces. If necessary, first make a test run on scrap material.

Excessive force will reduce the working efficiency and cause motor overload. Replacing the accessory regularly will maintain optimum working efficiency.

---

## MAINTAIN TOOLS WITH CARE

**Remove the plug from the socket before carrying out any adjustment, servicing or maintenance.**

Your power tool requires no additional lubrication or maintenance. There are no user serviceable parts in your power tool. Never use water or chemical cleaners to clean your power tool. Wipe clean with a dry cloth.

Always store your power tool in a dry place. Keep the motor ventilation slots clean. Keep all working controls free of dust. Occasionally you may see sparks through the ventilation slots. This is normal and will not damage your power tool.

If the supply cord is damaged, it must be replaced by the manufacturer, its service agent or similarly qualified persons in order to avoid a hazard.

Le recomendamos que compre todos los accesorios en la tienda donde adquirió la herramienta. Use accesorios de buena calidad una marca bien conocida. Seleccione los que más convengan al trabajo que intenta hacer. Consulte el empaque de los accesorios para obtener más detalles. El personal de la tienda también puede ayudarle y aconsejarle.

**!** **ADVERTENCIA:** El polvo originado por la utilización de herramientas motorizadas contiene químicos que, según el Estado de California, causan cáncer, defectos congénitos y otros daños reproductivos. Algunos ejemplos de esos productos químicos son:

- El plomo de las pinturas a base de plomo.
- La sílice cristalina de los ladrillos, del cemento y de otros productos de albañilería.
- El arsénico y el cromo de la madera tratada químicamente.

El riesgo que se corre a causa del contacto con esos productos varía según la frecuencia con que usted realice este tipo de trabajos. Con el fin de reducir su exposición a esas sustancias químicas: trabaje en un área bien ventilada; utilice un equipo de seguridad adecuado, tal como una máscara contra el polvo especialmente diseñada para filtrar partículas microscópicas.

**!** **ADVERTENCIA:** Este producto podría contener plomo, ftalato y otros químicos identificados por el Estado de California como causantes de cáncer, defectos congénitos y otras lesiones reproductivas. Lávese las manos después de utilizar.

## ADVERTENCIAS DE SEGURIDAD GENERALES PARA LA HERRAMIENTA MOTORIZADA

**!** **¡ADVERTENCIA!** Lea y comprenda todas las instrucciones. El no seguir todas las instrucciones a continuación puede ocasionar descargas eléctricas, incendios y/o heridas graves.

Conserve todas las advertencias e instrucciones para consulta futura.

El término "herramienta eléctrica" que figura en todas las advertencias que aparecen a continuación hace

referencia a la herramienta que funciona con la red de suministro eléctrico (con cable) o a la herramienta eléctrica accionada a baterías (sin cable).

### 1. ÁREA DE TRABAJO

- a) **Mantenga su lugar de trabajo limpio y bien iluminado.** Bancos de trabajo desordenados y lugares oscuros invitan a los accidentes.
- b) **No utilice herramientas eléctricas en atmósferas explosivas, como por ejemplo en presencia de líquidos, inflamables, gases o polvo.** Las herramientas eléctricas crean chispas que pueden encender el polvo o los vapores.
- c) **Mantenga a los espectadores, niños y visitantes a una distancia prudente cuando esté utilizando una herramienta eléctrica.** Las distracciones pueden hacerle perder el control.

### 2. SEGURIDAD ELÉCTRICA

- a) **Los enchufes de las herramientas eléctricas deben coincidir con el tomacorriente. No modifique de algún modo el enchufe.** No utilice enchufes adaptadores con herramientas eléctricas conectadas a tierra. Si no se modifican los enchufes y se utilizan los tomacorrientes adecuados, se reducirá el riesgo de una descarga eléctrica.
- b) **Evite el contacto del cuerpo con las superficies conectadas a tierra tales como tuberías, radiadores, estufas de cocina y refrigeradores.** Existe mayor riesgo de que se produzcan descargas eléctricas si su cuerpo está conectado a tierra.
- c) **No ponga las herramientas eléctricas a la lluvia ni a los ambientes húmedos.** La entrada de agua en una herramienta eléctrica aumenta el riesgo de que se produzcan descargas eléctricas.
- d) **No abuse del cable. Nunca use el cable para transportar las herramientas ni para sacar el enchufe de un tomacorriente.** Mantenga el cable alejado del calor, el aceite, los bordes afilados o las piezas móviles. Los cables dañados aumentan el riesgo de que se produzcan descargas eléctricas.
- e) **Cuando opere una herramienta eléctrica en exteriores, use un cable de extensión adecuado para uso en exteriores.** El uso de un cable adecuado para uso en exteriores reduce el riesgo de descargas eléctricas.
- f) **Si operar una herramienta eléctrica en un lugar húmedo es inevitable, use un elemento protegido del dispositivo de corriente residual (RCD).** El uso de un RCD reduce el riesgo de descargas eléctricas.

**3. SEGURIDAD PERSONAL**

- a) **Manténgase alerta, fíjese en lo que está haciendo y use el sentido común cuando utilice una herramienta eléctrica. No use la herramienta cuando esté cansado o se encuentre bajo la influencia de drogas, alcohol o medicamentos.** Un momento de distracción al utilizar herramientas eléctricas puede dar lugar a lesiones personales graves.
- b) **Utilice equipo de seguridad. Use siempre protección ocular.** La utilización del equipo de seguridad como máscara antipolvo, zapatos de seguridad antideslizantes, casco o protección auditiva para condiciones adecuadas reducirá el riesgo de lesiones personales.
- c) **Evite el arranque accidental. Asegúrese de que el interruptor esté en la posición de trabado o de apagado antes de instalar el paquete de baterías.** Transportar herramientas con el dedo en el interruptor o instalar el paquete de batería cuando el interruptor está encendido invitan a los accidentes.
- d) **Retire las llaves o claves de ajuste antes de encender la herramienta.** Una llave o clave de ajuste dejada en una parte giratoria de la herramienta puede causar una lesión personal.
- e) **No intente alcanzar demasiado lejos. Mantenga un apoyo de los pies y un equilibrio adecuados en todo momento.** El apoyo de los pies y el equilibrio adecuados permiten un mejor control de la herramienta en situaciones inesperadas.
- f) **Vístase apropiadamente. No se ponga ropa holgada ni joyas. Mantenga su cabello, ropa y guantes alejados de las piezas móviles.** La ropa holgada, las joyas o el pelo largo pueden quedar atrapados en las piezas móviles.
- g) **Si se proporcionan dispositivos para la extracción y recolección de polvo, asegúrese que estos estén conectados y utilizados correctamente.** El uso de estos dispositivos puede reducir peligros relacionados con el polvo.
- c) **Desconecte la batería de la herramienta o ponga el interruptor en la posición de trabado o de apagado antes de hacer cualquier ajuste, cambio de accesorios o guardar la herramienta.** Estas medidas de seguridad preventivas reducen el riesgo de encender la herramienta accidentalmente.
- d) **Guarde las herramientas que no esté usando fuera del alcance de los niños y otras personas no capacitadas.** Las herramientas son peligrosas en las manos de los usuarios no capacitados.
- e) **Mantenga las herramientas con cuidado. Compruebe la desalineación o el atasco de las piezas móviles, la ruptura de piezas y cualquier otra situación que pueda afectar el funcionamiento de las herramientas.** Si la herramienta está dañada, hágala arreglar antes de usarla. Muchos accidentes son causados por herramientas mantenidas deficientemente.
- f) **Conserve las herramientas de corte afiladas y limpias.** Las herramientas mantenidas adecuadamente, con bordes de corte afilados, tienen menos probabilidades de atascarse y son más fáciles de controlar.
- g) **Utilice la herramienta eléctrica, accesorios, brocas de la herramienta, etc. de acuerdo con estas instrucciones y de la manera adecuada para el tipo de herramienta eléctrica, teniendo en cuenta las condiciones de trabajo y el trabajo que se realizará.** La utilización de la herramienta eléctrica para operaciones diferentes de aquellas para las que se encuentra diseñada podría dar lugar a una situación peligrosa.

**5. REPARACIÓN**

- a) **La herramienta debe ser reparada por una persona calificada de servicio técnico y se deben utilizar partes de reemplazo idénticas.** Esto asegurará el mantenimiento de la seguridad de la herramienta eléctrica.

**4. USO Y CUIDADO DE LA HERRAMIENTA**

- a) **No fuerce la herramienta. Emplee la herramienta correcta para la aplicación que desea.** La herramienta correcta hará el trabajo mejor y con más seguridad a la capacidad nominal para la que está diseñada.
- b) **No utilice la herramienta si el interruptor no la enciende o apaga.** Toda herramienta que no se pueda controlar con el interruptor es peligrosa y debe ser reparada.

**NORMAS DE SEGURIDAD ADICIONALES - PARA LIJADORA DE CORREA**

1. **Sujete la herramienta por las superficies de agarre aisladas cuando realice una operación en la que la herramienta de corte pueda entrar en contacto con cables ocultos o con su propio cable.** El contacto con un cable que tenga


corriente hará que ésta pase a las partes metálicas descubiertas de la herramienta y que el operador reciba descargas eléctricas.

- Utilice pinzas o algún otro método práctico para fijar y apoyar la pieza de trabajo sobre una plataforma estable.** Sostener la pieza con las manos o contra su cuerpo la haría inestable y podría provocar una pérdida de control.

## SÍMBOLOS

	Advertencia— Para reducir el riesgo de lesiones, el usuario deberá leer el manual de instrucciones
	Doble aislamiento
	Advertencia
	Use protección auditiva
	Use lentes de seguridad
	Use máscara contra el polvo
	Use siempre unos guantes de protección
	Asegúrese de que la herramienta esté desenchufada antes de cambiar los accesorios.
	Antes de utilizar la herramienta, asegúrese de que no se dañará ningún cable de alimentación.
	Evite peligro de lesiones causadas por los bordes filosos de los accesorios.
	Las herramientas de aplicación pueden elevar su temperatura durante su utilización, lo que podría aumentar el peligro de quemaduras.
	Frecuencia de oscilación elevada
	Frecuencia de oscilación reducida

## TECHNICAL DATA

Voltios	120 V~60 Hz
Amperios	4.0 A
Velocidad de oscilaciones	11000-20000/min
Ángulo de oscilaciones	5.0°
Doble aislamiento	 /II
Peso de la máquina(sin cable de alimentación)	3.3 lbs(1.5 kg)

## INSTRUCCIONES DE USO



**NOTA:** Antes de usar la herramienta, lea atentamente el manual de instrucciones.

### Ensamble & Funcionamiento

Acción	Figura
Colocación de los accesorios	Ver A-C
Montaje de hoja de lijar	Ver D
Interruptor de encendido/apagado	Ver E
Llave de velocidad variable	Ver F

El control de velocidad variable permite establecer la frecuencia de oscilación óptima de acuerdo con los accesorios utilizados y la aplicación respectiva.

Frecuencia de oscilación	Aplicación
Frecuencia de oscilación elevada:	Lijado, aserrado, raspado y pulido de piedra y metal.
Frecuencia de oscilación reducida:	Raspado, Pulido de barnices.

## SUGERENCIAS DE TRABAJO PARA SU HERRAMIENTA:

Si su herramienta se calienta demasiado, especialmente mientras la utiliza a baja velocidad, ajuste la velocidad al máximo y hágala funcionar sin carga durante 2-3 minutos para enfriar el motor. Evite el uso prolongado a velocidades muy baja. Mantenga siempre la cuchilla afilada.

Asegúrese siempre de que la pieza de trabajo esté firmemente afianzada -con o sin abrazaderas- para evitar el movimiento.

Cualquier movimiento del material podría afectar la calidad del acabado de corte o lijado.

Arranque la herramienta antes de iniciar el trabajo y apáguela sólo después de finalizar el trabajo.

No encienda la lijadora sin tener colocada una hoja de lija. No permita que el papel de lijado se desgaste por completo debido a que dañará el paño de lijado. La garantía no brinda cobertura para el desgaste por uso del paño de lijado.

Utilice papel de grano áspero para lijar superficie ásperas, de grano medio para lijar superficie suaves y de grano fino para el acabado de superficies. Si es necesario, realice primero una prueba en un recorte de descarte. La fuerza excesiva reducirá la eficacia de trabajo y causará una sobrecarga del motor. El reemplazo periódico de los accesorios permitirá mantener la eficacia de trabajo óptima.

## MANTENGA LAS HERRAMIENTAS CON CUIDADO

**Extraiga el enchufe de la toma eléctrica antes de llevar a cabo cualquier reparación o ajuste.**

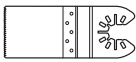
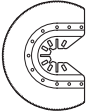

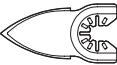

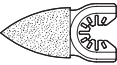

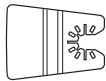
Su herramienta no requiere lubricación ni mantenimiento adicional. No posee piezas en su interior que puedan ser reparadas por el usuario. Nunca emplee agua o productos químicos para limpiar su herramienta. Use simplemente un paño seco. Guarde siempre su herramienta en un lugar seco. Mantenga limpias las ranuras de ventilación del motor. La observación de chispas que destellan bajo las ranuras de ventilación, indica operación normal que no dañará su herramienta. Si el cable de alimentación se encuentra dañado deberá ser reemplazado por el fabricante, su agente de servicio o algún otro profesional igualmente cualificado para llevar a cabo dichas operaciones, con el fin de evitar riesgos.

## APLICACIÓN

**⚠ ADVERTENCIA:** Los dientes de aserrado son sumamente filosos. No los toque durante la colocación y aplicación. Se deberá insertar o sujetar firmemente la pieza de trabajo antes de efectuar el corte.

### Accesorios Universal Fit™ disponibles de Rockwell

Funciona con los accesorios de herramientas oscilantes de otras marcas.

	Imagen	Descripción	Aplicación
Sierra		Hoja de corte final de madera bimetalica	Madera, plástico, fibra de vidrio, clavos, metales no ferrosos, metales de hoja delgada, rellenos endurecidos.
		Cuchilla de corte estándar	Madera, plástico, yeso.
		Cuchilla de corte final de precisión para madera	Madera, plásticos blandos.
		Hoja de sierra de segmento HSS	Madera delgada, plástico, fibra de vidrio, metales no ferrosos, metales de hoja delgada, rellenos endurecidos, vidrioado de ventanas.
Lijado		Paño de lijado perforado	Madera, plástico, rellenos endurecidos.
		Paño tipo dedo de lijado	Madera, plástico, rellenos endurecidos.
Raspado		Lima triangular de grano de carburo	Madera, adhesivos endurecidos, laminados, mampostería.
		Raspador de carburo (en forma de barra)	Madera, adhesivos endurecidos, laminados, mampostería.
Eliminación de lechada		Hoja de sierra de segmento de grano de carburo	Lechada, cemento poroso, mampostería.
		Hoja de sierra de segmento derecubrimiento de diamante	Alicatados de cerámica y piedra, tablonés.
Rascado		Hoja raspadora rígida	Pintura antigua, adhesivos endurecidos y calafateados, alfombra.
		Hoja raspadora flexible	Selladores elásticos, pintura, residuos adhesivos y alfombras.

**NOTA:** Durante el corte o aserrado, utilice un ligero movimiento de péndulo para permitir una adecuada extracción de astillas. La hoja de sierra posee una mayor duración si el desgaste de la misma se distribuye de forma uniforme. Para asegurar una distribución pareja, afloje la hoja de sierra, gírela y luego vuelva a ajustarla de forma firme. Realice el lijado con un movimiento constante y una presión leve. La presión intensa no aumenta la velocidad de corte/extracción, sino que sólo provocará que el accesorio se desgaste más rápidamente.

Nous vous recommandons d'acheter tous vos accessoires au même magasin où vous avez acheté l'outil. N'utilisez que des accessoires de bonne qualité et de marque renommée. Choisissez le type d'outil approprié au travail que vous désirez entreprendre. Pour de plus amples renseignements, consultez l'emballage de l'accessoire. Le personnel du magasin peut également vous conseiller.

**AVERTISSEMENT:** Certaines des poussières produites en utilisant des outils électriques sont considérées par l'État de Californie comme susceptibles de provoquer le cancer, des anomalies congénitales et d'autres problèmes de reproduction.

Voici des exemples de ces produits chimiques:

- Plomb issu de peinture à base de plomb.
- Silice cristalline issue de briques et du ciment et autres produits de maçonnerie.
- Arsenic et chrome issus de bois traité chimiquement.

Votre risque de ces expositions varie en fonction de la fréquence à laquelle vous effectuez ce travail. Pour réduire votre exposition à ces produits chimiques: travaillez dans une zone bien ventilée; portez un équipement de sécurité approuvé, tel que des masques antipoussières spécialement conçus pour éliminer les particules microscopiques par filtrage.

**AVERTISSEMENT:** Ce produit peut contenir du plomb, des phtalates ou d'autres agents chimiques connus dans l'État de Californie pour causer le cancer, des malformations congénitales et d'autres problèmes liés à la reproduction. Lavez vos mains après chaque utilisation.

## AVERTISSEMENTS GENERAUX CONCERNANT LA SECURITE DES OUTILS ELECTRIQUES

**AVERTISSEMENT!** Lisez et assimilez toutes les instructions. Le non-respect des instructions ci-après peut entraîner un risque de choc électrique, d'incendie et/ou de blessures graves.

Conservez tous les avertissements et instructions pour pouvoir les consulter ultérieurement.

L'expression « outil électrique » dans tous les avertissements énumérés ci-dessous se réfère à votre

outil électrique fonctionnant sur secteur (branché) ou à batterie (sans-fil).

### 1. AIRE DE TRAVAIL

- a) **Veillez à ce que l'aire de travail soit propre et bien éclairée.** Le désordre et le manque de lumière favorisent les accidents.
- b) **N'utilisez pas d'outils électriques dans un milieu présentant un risque d'explosion, par exemple en présence de liquides, de gaz ou de poussières inflammables.** Les outils électriques créent des étincelles qui pourraient enflammer les poussières ou les vapeurs.
- c) **Gardez à distance les curieux, les enfants et les visiteurs lorsque vous travaillez avec un outil électrique.** Ils pourraient vous distraire et vous faire faire une fausse manœuvre.

### 2. SECURITE ELECTRIQUE

- a) **Les fiches des outils électriques doivent correspondre aux prises murales. Ne jamais modifier la fiche de quelque façon que ce soit.** Ne pas utiliser de fiches d'adaptation avec des outils électriques mis à la terre (mis à la masse). Des fiches non modifiées et des prises qui leur correspondent réduiront le risque de choc électrique.
- b) **Évitez tout contact corporel avec des surfaces mises à la terre (tuyauterie, radiateurs, cuisinières, réfrigérateurs, etc.).** Le risque de choc électrique est plus grand si votre corps est en contact avec la terre.
- c) **N'exposez pas les outils électriques à la pluie ou à l'eau.** La présence d'eau dans un outil électrique augmente le risque de choc électrique.
- d) **Ne maltraitez pas le cordon. Ne transportez jamais l'outil par son cordon et ne débranchez jamais la fiche en tirant sur le cordon.** N'exposez pas le cordon à la chaleur, à des huiles, à des arrêtes vives ou à des pièces en mouvement. Un cordon endommagé augmente le risque de choc électrique.
- e) **Lorsque vous utilisez un outil électrique à l'extérieur, utilisez un prolongateur adapté à une utilisation en extérieur.** L'utilisation d'un cordon adapté à une utilisation extérieure réduit le risque de choc électrique.



- f) Si vous devez utiliser un outil électrique dans un endroit humide, utilisez un dispositif de courant résiduel (RCD) d'alimentation protégée.** L'utilisation d'un RCD réduit le risque de choc électrique.
- ### 3. SÉCURITÉ DES PERSONNES
- a) Restez alerte, concentrez-vous sur votre travail et faites preuve de bon sens. N'utilisez pas un outil électrique si vous êtes fatigué ou sous l'influence de drogues, d'alcool ou de médicaments.** Un instant d'inattention lors de l'utilisation d'outils électriques peut entraîner des blessures graves.
- b) Utilisez des accessoires de sécurité. Portez toujours une protection oculaire.** De l'équipement de sécurité tel que le masque antipoussière, les chaussures de sécurité antidérapantes, des casques durs ou des protections antibruit utilisés dans des conditions appropriées réduiront les blessures corporelles.
- c) Évitez les démarrages accidentels. Avant d'insérer la batterie dans l'outil, assurez-vous que son interrupteur est en position « OFF » (Arrêt) ou verrouillée.** Le fait de transporter un outil avec le doigt sur la détente/l'interrupteur ou d'insérer la batterie dans un outil dont la détente est en position « ON » (Marche) peut causer un accident.
- d) Retirer les clés de réglage avant de mettre l'outil sous tension.** Une clé restée attachée à une partie mobile de l'outil pourrait entraîner des blessures corporelles.
- e) Ne vous penchez pas trop en avant. Maintenez un bon appui et restez en équilibre en tout temps.** Une bonne stabilité vous permet de mieux réagir à une situation inattendue.
- f) Habillez-vous convenablement. Ne portez ni vêtements flottants ni bijoux. Gardez les cheveux, les vêtements et les gants éloignés des pièces en mouvement.** Les vêtements flottants, les bijoux ou les cheveux longs risquent d'être happés par des pièces en mouvement.
- g) Si un sac de récupération de la poussière est fourni avec un connecteur pour aspirateur, assurez vous qu'il est correctement relié et utilisé de façon appropriée.** L'utilisation de ce système réduit les dangers physiques et physiologiques liés à la poussière.
- ### 4. UTILISATION ET ENTRETIEN DE L'OUTIL
- a) Ne forcez pas l'outil. Utilisez l'outil approprié à la tâche. L'outil approprié fonctionne mieux et de façon plus sécuritaire.** Respectez aussi la vitesse de travail qui lui est propre.
- b) N'utilisez pas un outil si l'interrupteur ne le met pas en marche ou ne peut l'arrêter.** Un outil qui ne peut être contrôlé par l'interrupteur est dangereux et doit être réparé.
- c) Débranchez la batterie de l'outil ou mettez son interrupteur en position « OFF » (Arrêt) ou « LOCKED » (Verrouillé) avant d'effectuer un réglage, de changer d'accessoire ou de ranger l'outil.** De telles mesures de sécurité préventive réduisent le risque de démarrage accidentel de l'outil.
- d) Rangez les outils hors de portée des enfants et d'autres personnes inexpérimentées.** Les outils sont dangereux dans les mains d'utilisateurs novices.
- e) Prenez soin de bien entretenir les outils. Soyez attentif à tout désalignement ou coincement des pièces en mouvement, à tout bris ou à toute autre condition préjudiciable au bon fonctionnement de l'outil.** Si vous constatez qu'un outil est endommagé, faites-le réparer avant de vous en servir. De nombreux accidents sont causés par des outils en mauvais état.
- f) Les outils de coupe doivent être toujours bien affûtés et propres.** Des outils bien entretenus, dont les arêtes sont bien tranchantes, sont moins susceptibles de se coincer et plus faciles à contrôler.
- g) Utilisez l'outil électrique, les accessoires et les forets etc., en conformité avec ces instructions et de la manière conçue pour le type particulier d'outil électrique, prend en compte les conditions de travail et le travail qui doit être accompli.** L'emploi de l'outil électrique pour des opérations différentes de celles pour lesquelles il a été conçu pourrait entraîner une situation dangereuse.
- ### 5. ENTRETIEN
- a) Ayez votre outil électrique entretenu par un réparateur agréé n'utilisant que des pièces de rechange identiques.** Cela assurera que la sécurité de l'outil électrique est maintenue.


## RÈGLES DE SÉCURITÉ SUPPLÉMENTAIRES - POUR LES PONCEUSES À COURROIE

- Lors de l'exécution d'une opération au cours de laquelle l'outil de coupe peut venir en contact avec les fils cachés ou son propre cordon, tenez l'outil par ses surfaces isolées de préhension.** Le contact avec un fil sous tension rendra les pièces métalliques exposées de l'outil sous tension et causera des chocs à l'opérateur.
- Utilisez un étau ou un autre moyen approprié de fixer et de soutenir la pièce de travail sur une plateforme stable.** Tenir la pièce de travail à la main ou contre votre corps la rend instable et peut entraîner des pertes de contrôle.

## SYMBOLES

	Avertissement-Afin de réduire les risques de blessure, l'utilisateur doit lire ce mode d'emploi
	Double isolation
	Avertissement
	Portez une protection auditive
	Portez un protecteur oculaire
	Portez un masque antipoussières
	Toujours porter des gants de protection
	Assurez-vous de débrancher l'outil avant de remplacer les accessoires.
	Avant d'allumer l'outil, vérifiez qu'aucun cordon électrique risque d'être endommagé.
	Prenez garde au risque de blessure pouvant être causé par les bords tranchants des accessoires.
	L'accessoire peut devenir très chaud lorsque vous l'utilisez, ce qui présente un risque de brûlure!
	Fréquence d'oscillations élevée
	Fréquence d'oscillations basse

## DONNÉES TECHNIQUES

Tension	120 V~60 Hz
Ampères	4.0 A
Vitesse d'oscillation	11000-20000/min
Angle d'oscillation	5.0°
Double isolation	 /II
Poids de la machine (sans câble d'alimentation)	1.5 kg (3.3 lbs)

## INSTRUCTIONS D'UTILISATION



**REMARQUE:** Avant d'utiliser cet outil, assurez-vous de lire attentivement le manuel d'utilisation.

### MONTAGE ET FONCTIONNEMENT

Action	Figure
Accessoires de montage	Ver A-C
Montage de la feuille abrasive	Ver D
Interrupteur marche/arrêt	Ver E
Contrôle variable de la vitesse	Ver F

Le contrôle de la vitesse peut être utilisé pour régler la fréquence d'oscillation optimale selon l'accessoire utilisé et selon l'application.

Fréquence d'oscillation	Application
Fréquence d'oscillations élevée	Ponçage, sciage, râpage et polissage de la pierre et du métal.
Fréquence d'oscillations basse	Grattage, Polissage de vernis.

## TRUCS POUR UTILISER VOTRE PONCEUSE:

Si votre outil devient trop chaud, particulièrement lors d'une utilisation à basse vitesse, réglez la vitesse au maximum et laissez l'outil tourner à vide pendant 2 à 3 minutes pour refroidir le moteur. Évitez un usage prolongé à très basse vitesse. Gardez toujours la lame bien aiguisée.

Assurez-vous que la pièce à travailler est toujours bien tenue ou fixée à l'aide d'un serre-joint pour éviter qu'elle ne bouge.

Tout déplacement du matériau risque d'affecter la qualité du travail de coupe ou de ponçage.

Démarrez votre outil avant de commencer à travailler et éteignez-la seulement après avoir terminé le travail.

Ne poncez pas sans papier de verre.

Ne laissez pas le papier de verre s'user complètement car cela risque d'endommager le patin de ponçage. La garantie ne couvre pas l'usure du patin de ponçage.

Utilisez un gros grain pour poncer des finitions un peu rugueuses, un grain médium pour adoucir le travail et un grain fin pour le terminer. Si nécessaire, faites d'abord un essai sur une pièce bonne à jeter.

Une force excessive réduit l'efficacité du ponçage et cause une surcharge du moteur. Remplacez le papier de verre ou l'accessoire régulièrement pour maintenir une efficacité de ponçage optimale.

## PRENEZ SOIN DE VOS OUTILS ET ENTRETENEZ LES BIEN

**Retirez la prise de la prise murale avant d'effectuer n'importe quel travail de réglage, de réparation ou d'entretien.**

Votre outil ne nécessite aucune lubrification ou entretien supplémentaire. Il ne comporte aucune pièce à réparer ou à entretenir par l'utilisateur. N'utilisez jamais de l'eau ou des nettoyants chimiques pour nettoyer l'outil. Essayez-le avec un chiffon sec. Rangez toujours votre outil dans un endroit sec. Gardez propres les ouvertures de ventilation du moteur. Si vous remarquez des étincelles dans les ouvertures de ventilation, ceci est normal et n'endommagera pas votre outil.

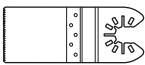
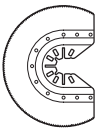



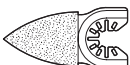

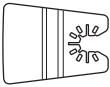
Si le cordon d'alimentation est endommagé, il doit être remplacé par le fabricant, son agent de réparation ou d'autres personnes professionnelles afin d'éviter tout danger.

## APPLICATION

**AVERTISSEMENT:** Les dents de la scie sont très coupantes. Ne les touchez pas durant le montage ou durant l'application. La pièce de travail doit être insérée ou fixée fermement avant d'effectuer une coupe.

### Accessoires Universal Fit™ Rockwell disponibles

Fonctionne avec les accessoires d'outils à oscillations d'autres marques.

	Schéma	Description	Application
Ponçage		Lame bimétal de coupe en bout du bois	Ois, plastique, fibre de verre, clous, métaux non ferreux, toile mince, fillers durcis.
		Lame à coupe standard	Bois, plastique, cloison sèche.
		Lame de coupe en bout de précision pour le bois	Bois, plastiques mous.
		Lame de scie segmentaire en acier à coupe rapide	Bois mince, plastique, fibre de verre, métaux non ferreux, tôle mince, fillers durcis, vitre de fenêtre.
Ponçage		Patin de ponçage perforé	Bois, plastique, fillers durcis.
			Patin de ponçage pour coins
Râpage		Râpe triangulaire en carbure	Bois, adhésifs durcis, revêtement mince, maçonnerie.
			Râpe en carbure (forme fine et allongée)
Disque d'élimination		Lame de scie segmentaire encarbure	Ciment, béton poreux, maçonnerie.
		Lame de scie segmentaire diamantée	Céramique et pierre, planche d'appui.
Raclage		Couteau rigide	Vieille peinture, adhésifs durcis et cafeutage, undercoating, moquette.
		Couteau flexible	Mastics élastiques, peinture, résidus adhésifs, tapis.

**REMARQUE:** Lorsque vous plongez la lame et que vous effectuez une coupe, suivez un mouvement pendulaire pour laisser suffisamment de place à l'éjection des copeaux.

La lame de scie dure plus longtemps si elle est distribuée de façon égale. Pour assurer une distribution égale, desserrez la lame de scie, tournez-la et resserrez fermement.

Poncez en suivant un mouvement constant et en appliquant une légère pression.

Une forte pression n'augmente pas la force de coupe / retrait - l'accessoire peut fonctionner simplement un peu plus rapidement.







