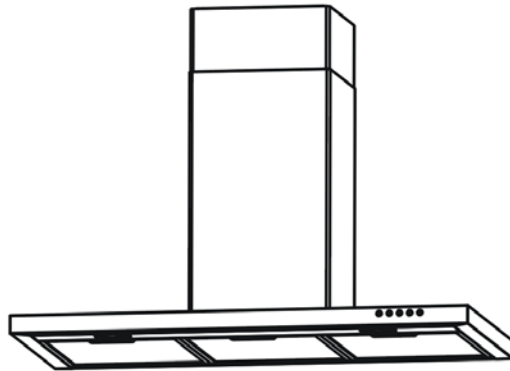


# CHIMNEY COOKER HOOD



Model No.: SBXC600SS / SBXC900SS

**PLEASE READ THE MANUAL CAREFULLY BEFORE OPERATION**

## GENERAL

1. Carefully read the following important information regarding installation safety and maintenance. Keep this information booklet accessible for further consultations.
2. The appliance has been designed as a exhausting version (external exhaust) or as a charcoal filter version (internal air recycle) cooker hood.

## SAFETY PRECAUTION

1. Take care when the cooker hood is operating simultaneously with an open fireplace or burner that depends on the air in the environment and is supplied by other than electrical energy, as the cooker hood removes the air from the environment which a burner or fireplace need for combustion.
2. Provide adequate ventilation in the environment for a safe operation of the cooker hood. Do Not flame under the range hood.
3. There shall be adequate ventilation of the room when the range hood is used at the same time as appliance burning gas or other fuels.
4. Follow the local laws applicable for external air evacuation.
5. Appliance shall only be used with rated voltage and frequency.
6. There is a fire risk if cleaning is not carried out in accordance with the instruction, it is advised to be cleaned once per month.

## WARNING!!

In certain circumstances electrical appliances may be a danger hazard.

1. Do not check the status of the filters while the cooker hood is operating.
2. Do not touch the light bulbs after appliance use.
3. Do not disconnect the appliance with wet hands and without to force the supply cord.
4. Avoid free flame, as it is damaging for the filters and a fire hazard.
5. Constantly check food frying to avoid that the overheated oil may become a fire hazard.
6. Disconnect the electrical plug prior to any maintenance.
7. Children don't recognize the risks of electrical appliances. Therefore use or keep the appliance only under supervision of adults and out of the reach from children.

## OPERATION OF CONTROLS

The hood is operated using the push button on the front panel.

The light switch turns the lamps on and off.

The blower switch turns the blower on to three speed settings:

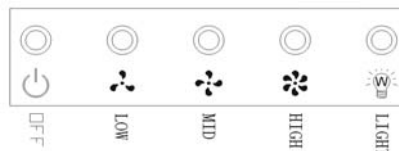
0 - OFF

1 - LOW SPEED

2 - MEDIUM SPEED

3 - HIGH SPEED

4 - LIGHT



## **MAINTENANCE**

Proper maintenance of the Range Hood will assure proper performance of the unit.

**DISPOSAL** Do not dispose this product as unsorted municipal waste. Collection of such waste separately for special treatment is necessary.

### **Grease Filters**

The grease filters should be cleaned frequently. Use a warm detergent solution.

Grease filters are washable.

See "INSTALL FILTERS" section for removal and installation instructions.

### **Non-Ducted Recirculation charcoal filter**

The non-ducted recirculation charcoal filter should be changed every 6 months.

See "INSTALL FILTERS" section for removal and installation instructions.

### **Hood Cleaning**

Stainless steel is one of the easiest materials to keep clean. Occasional care will help preserve its fine appearance.

Cleaning tips:

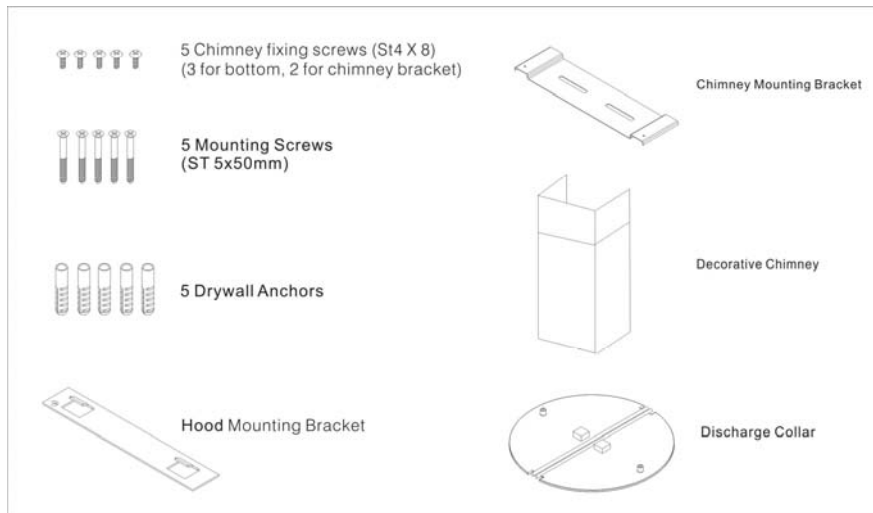
1. Hot water with soap or detergent is all that is usually needed.
2. Follow all cleaning by rinsing with clear water. Wipe dry with a clean, soft cloth to avoid water marks.
3. For discolorations or deposits that persist, use a non-scratching household cleanser or stainless steel polishing powder with a little water and a soft cloth.
4. For stubborn cases use a plastic scouring pad or soft bristle brush together with cleanser and water. Rub lightly in direction of polishing lines or "grain" of the stainless finish. Avoid using too much pressure that may mar the surface.
5. Do not allow deposits to remain for long periods of time.
6. Do not use ordinary steel wool or steel brushes. Small bits of steel may adhere to the surface causing rust.
7. Do not allow salt solutions, disinfectants, bleaches, or cleaning compounds to remain in contact with stainless steel for extended periods. Many of these compounds contain chemicals that may be harmful. Rinse with water after exposure and wipe dry with a clean cloth.
8. Painted surfaces should be cleaned with warm water and mild detergent only.

## PREPARE THE HOOD

Unpack hood and check contents.

You should receive:

- 1.- Hood
- 1 - Glass
- 1 – Decorative Chimney ( bottom or both bottom and top )
- 1 – Parts Bag:
  - 1 – Hood Mounting Bracket
  - 1 – Chimney Mounting Bracket
  - 1 – Discharge Collar
  - 2 – Chimney Bracket Screws (ST 4 X 8 mm )
  - 3 – Chimney Bottom Fixing Screws (ST 4 X 8 mm )
  - 5 – Mounting Screws (ST 5 X 50 mm )
  - 5 – Drywall Anchors
- 1 – Installation Manual
- 2 – Charcoal Filters (optional)
- 1 – Wall Cap (optional)
- 1 – Plastic Duct or Aluminum Duct (optional)

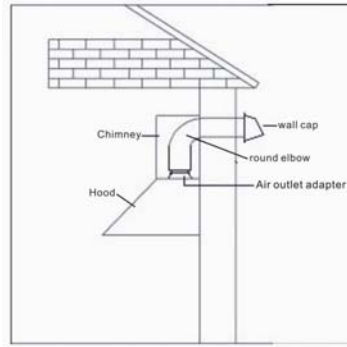


## INSTALL THE DUCTWORK

(DUCTED HOODS ONLY)

Caution: To reduce the risk of fire, use metal ductwork is preferred.

1. Decide where the ductwork will run between the hood and the outside.
2. A straight, short duct run will allow the hood to perform most efficiently.
3. Long duct runs, elbows, and transitions will reduce the performance of the hood. Use as few of them as possible. Larger ducting may be required for best performance with longer duct runs.
4. The air must not be discharge into a flue that is used for exhausting fumes from appliances burning gas or other fuels" "Regulations concerning the discharge of air have to be fulfilled.
5. Install wall cap. Connect round metal ductwork to cap and work back towards hood location. Use duct tape to seal the joints between ductwork sections.



## INSTALL ELECTRICAL

Electrical wiring must be done by a qualified person(s) in accordance with all applicable codes and standards. This range hood must be properly grounded. Turn off electrical power at service entrance before wiring.

If the supply cord is damaged, it must be replaced by the manufacturer, its service agent or similarly qualified persons in order to avoid a hazard.

## INSTALL THE HOOD

Note 1 : On stainless steel hoods, carefully remove the plastic protective film from all exterior surfaces of the hood and chimney prior to final installation.

Note 2: At least two people will be required to mount the hood.

## INSTALL THE HOOD

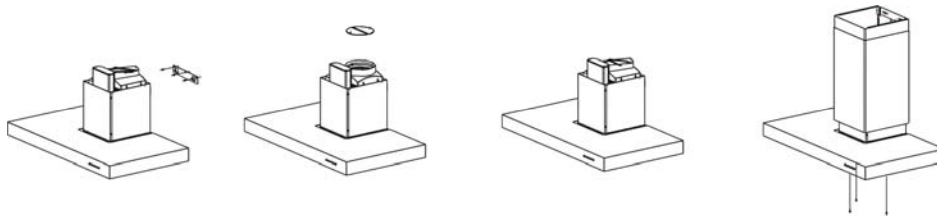
Minimum hood distance above cooktop must not be less than 650mm.

A maximum of 750mm above the cooktop is highly recommended for best capture of cooking impurities.

Distance over 750mm above the cooktop are at the installer's and user's discretion - providing that ceiling height and flue length permit.



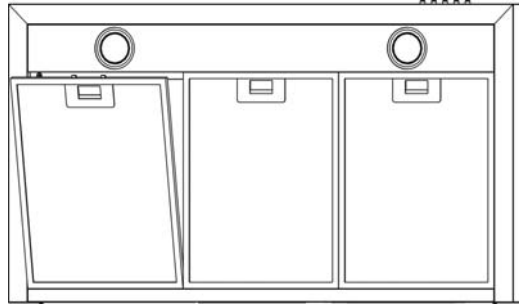
1. Secure the hood mounting bracket to the wall using ST 5 x 50mm mounting screws and dry wall anchors.  
Align the hood body with the hood mounting bracket. Gently lower the hood until it securely engages the bracket.
2. Fix the discharge collar into the air outlet adapter.
3. Attach an adequate length of 150mm round duct to the air outlet adapter.
4. Carefully slide the decorative chimney top down inside the decorative chimney bottom. Carefully place the decorative chimney bottom into the recessed area of the hood body top.
5. Secure the chimney mounting bracket to the wall using (2) ST 5 x 50mm mounting screws and dry wall anchors.
6. Raise the decorative chimney top until its holes align with holes in the chimney mounting bracket (located on the wall).
7. Level the hood and secure the chimney with 2 chimney bracket screws.
8. Fix the Decorative Chimney Bottom with 3 decorative Chimney Bottom screws from inside of body.



## **INSTALL FILTERS**

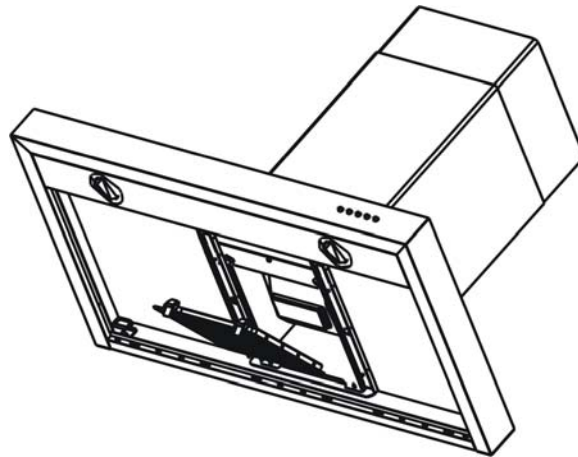
### **(DUCTED AND NON-DUCTED HOODS)**

1. To remove the grease filter, push in on them metal latch tab. This will disengage the filter from the hood. Tilt the filter downward and remove.
2. To install the grease filter, align rear filter tabs with slots in the hood. Push in the metal latch tab, push filter into position and release. Make sure the filter is securely engaged after assembly.

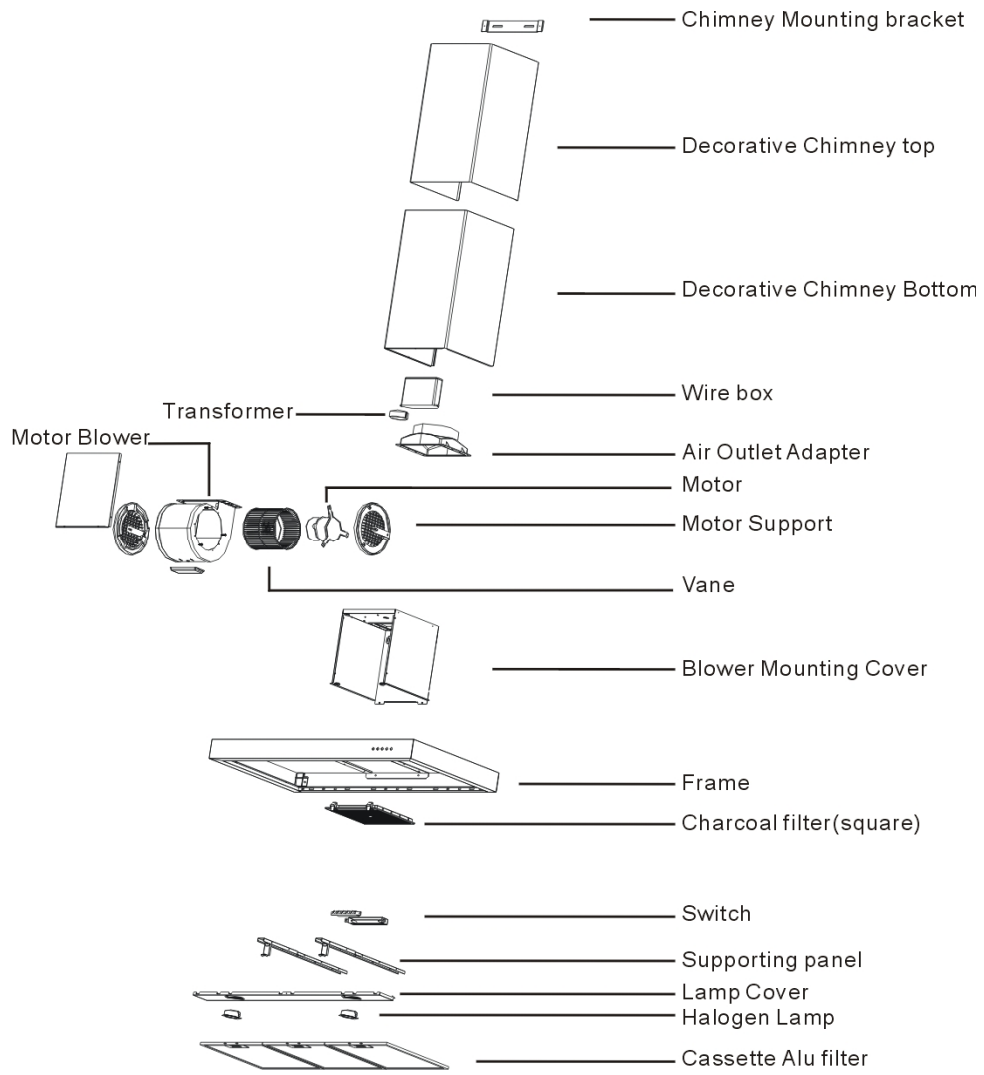


### **(NON-DUCTED HOODS ONLY)**

1. To install the charcoal filter, and lock it until the stop click is heard.
2. Install grease filter after charcoal filter is installed.



# EXPLODED VIEW





# WIRING DIAGRAM

