

**Chamiko®**



## **600W ELECTRIC TILE CUTTER**

MODEL No: ETC400

Part No: 3400748

## **OPERATION & MAINTENANCE INSTRUCTIONS**



0706

## SPECIFICATIONS

Motor: ..... 230v ~ 50Hz 1ph  
 Power Rating: ..... 600W  
 No Load Speed: ..... 3000 RPM  
 Operating Temperature: ..... -15°C to 40°C  
 Fuse Rating: ..... 13 amp  
 Table Dimensions: ..... 500 x 385mm  
 Cutting Angle: ..... 0° - 45°  
 Max Cutting Depth @ 90°: ..... 25mm  
 Max Cutting Depth @ 45°: ..... 17mm  
 Cutting Disk: ..... Ø180 x Ø22.2 x 2.2mm  
 Sound Power Level: ..... 84.2 dB Lwa  
 Sound Pressure Level: ..... 71.2 dB (A)  
 Vibration Emissions: ..... <2.5m/s²  
 Overall Dimensions (LxWxH): ..... 760 x 590 x 930mm  
 Net Weight: ..... 27Kg  
 Duty Cycle: ..... S1\*\*

\*\* May be run continuously

Please note that the details and specifications contained herein, are correct at the time of going to print. However, CLARKE International reserve the right to change specifications at any time without prior notice.



Clarke International is a trading style of Clarke International Limited.



**Waste electrical products should not be disposed of with general household waste. Please dispose of at your local recycling facility.**



Thank you for purchasing this CLARKE Tile Cutter designed for DIY and light commercial use for cutting all types of ceramic tiles..

Before attempting to use the cutter, please read this manual thoroughly and follow the instructions carefully. In doing so you will ensure the safety of yourself and that of others around you, and you can look forward to the equipment giving you long and satisfactory service.

CLARKE GUARANTEE	
This CLARKE product is guaranteed against faulty manufacture for a period of 12 months from the date of purchase. Please keep your receipt as proof of purchase.	
This guarantee is invalid if the product is found to have been abused or tampered with in any way, or not used for the purpose for which it was intended.	
Faulty goods should be returned to their place of purchase, no product can be returned to us without prior permission.	
This guarantee does not effect your statutory rights.	

CONTENTS	
	Page No

Specifications .....	2
Declaration of Conformity .....	2
Guarantee .....	3
Safety Precautions .....	4
Electrical Connections .....	5
Check List .....	6
Assembly .....	7
Operation .....	8
Maintenance .....	9
Parts Diagram .....	10
Parts List .....	11

**NOTE: this instruction manual is not a definitive guide to tiling, but a guide on using this equipment only.**

## SAFETY PRECAUTIONS



*As with all machinery, there are certain hazards involved with their operation and use. Exercising respect and caution will considerably lessen the risk of personal injury. However, if normal safety precautions are overlooked or ignored, personal injury to the operator or damage to property, may result.*

1. **ALWAYS** Learn the machines applications, limitations and the specific potential hazards peculiar to it. Read and become familiar with the entire operating manual.
2. **ALWAYS** use a face or dust mask if operation is particularly dusty.
3. **ALWAYS** check for damage. Before using the machine, any damaged part, should be checked to ensure that it will operate properly, and perform its intended function. Check for alignment of moving parts, breakage of parts, mountings, and any other condition that may affect the machines operation. Any damage should be properly repaired or the part replaced. If in doubt, **DO NOT** use the machine. Consult your local dealer.
4. **ALWAYS** disconnect the tool/machine from the power supply before servicing and when changing accessories.
5. **ALWAYS** wear safety goggles, manufactured to the latest European Safety Standards. Everyday eyeglasses do not have impact resistant lenses, they are not safety glasses.
6. **ALWAYS** keep work area clean. Cluttered areas and benches invite accidents.
7. **ALWAYS** ensure that adequate lighting is available. A minimum intensity of 300 lux should be provided. Ensure that lighting is placed so that you will not be working in your own shadow.
8. **ALWAYS** keep children away. All visitors should be kept a safe distance from the work area, especially whilst operating the machine.
9. **ALWAYS** maintain machine in top condition. Keep tools/ machines clean for the best and safest performance. Follow maintenance instructions.
10. **ALWAYS** handle with extreme care do not carry the tool/ machine by its' electric cable, or yank the cable to disconnect it from the power supply.
11. **ALWAYS** ensure the switch is off before plugging in to mains. Avoid accidental starting.
12. **ALWAYS** concentrate on the job in hand, no matter how trivial it may seem. Be aware that accidents are caused by carelessness due to familiarity.
13. **ALWAYS** keep your proper footing and balance at all times - don't overreach. For best footing, wear rubber soled footwear. Keep floor clear of oil, scrap wood, etc.
14. **ALWAYS** keep your hands well away from the cutting disk.



## ELECTRICAL CONNECTIONS

Connect the mains lead to a standard, 230 Volt (50Hz) electrical supply through an approved 13 amp BS 1363 plug, or a suitably fused isolator switch.

### WARNING! THIS APPLIANCE MUST BE EARTHED

IMPORTANT: The wires in the mains lead are coloured in accordance with the following code:

Green & Yellow	-	Earth
Blue	-	Neutral
Brown	-	Live

As the colours of the flexible lead of this appliance may not correspond with the coloured markings identifying terminals in your plug proceed as follows:

- Connect the GREEN & YELLOW cord to terminal marked with a letter "E" or Earth symbol  or coloured GREEN or GREEN & YELLOW.
- Connect BROWN cord to terminal marked with "L" or coloured RED.
- Connect BLUE cord to the terminal marked with "N" or coloured BLACK.

If this appliance is fitted with a plug which is moulded onto the electric cable (i.e. non-rewirable) please note:

1. The plug must be thrown away if it is cut from the electric cable. There is a danger of electric shock if it is subsequently inserted into a socket outlet.
2. Never use the plug without the fuse cover fitted.
3. Should you wish to replace a detachable fuse carrier, ensure that the correct replacement is used (as indicated by marking or colour code).
4. Replacement fuse covers can be obtained from your local dealer or most electrical stockists.

### Fuse Rating

The fuse in the plug must be replaced with one of the same rating - **13amps** and this replacement must be ASTA approved to BS1362.

### Cable Extension

If a cable extension is needed, it is essential to ensure that the size of the conductors is at least the same size as those of the power cable supplied.

## CHECK LIST

Before attempting to assemble and use the tiling cutter, carefully unpack and lay out the contents on a clean surface.

Check for missing/damaged parts. If any shortages or damage is found, please notify your Clarke dealer where the cutter was purchased ASAP, alternatively telephone Clarke International on 020-8988-7400.

### CONTENTS

Note: Item Nos in brackets refer to parts diagram on page 9

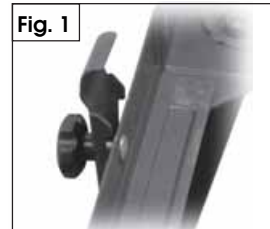
- 4 x legs with rubber feet (**75 & 74**) + 4 x Screws (**80**), and 4 x Spring washers (**79**).
- 1 x Base frame (**77**).
- 1 x Main cutter assembly, includes cutting disk (fitted).
- 1 x Adjustable Guide (**1 & 45 to 54**)
- 2 x Stop (**1, 2 & 3**).
- 1 x Water tray (**73**).
- 2 x Retaining Clamp (**28 & 76**).
- 2 x Wrench.
- 1 x Hexagon Wrench.
- 1 x Operation and Maintenance Instruction Manual.

## ASSEMBLY

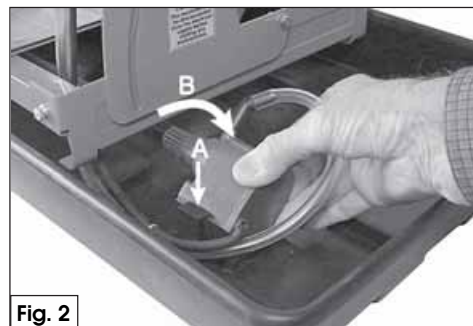
1. Attach the legs to the base unit using the screws and washers supplied, do not tighten screws until all four screws are fitted finger tight, once the four legs are loosely fitted rest the stand on a firm flat surface.

Proceed to tighten all the leg securing screws with hex key provided, **DO NOT** overtighten.

2. Loosely attach the retaining clamps (**76**) with bolts (**81**) inserted from inside the base and securing knobs on the outside (**28**) as in fig. 1, **DO NOT** tighten yet.
3. Lay the plastic water tank (**73**) into the base unit ensuring it sits flat, secure in position with retaining clamps, tighten finger tight only.



4. Carefully rest the main body of the tile cutter on the edge of the water tank as in Fig. 2 (also see Fig. 3 pump location). Ensure the pump with cable and hose are routed down through the hole in the base as shown.



5. Hook the edge of the pump into the side bracket as shown at 'A' whilst pivoting the pump as shown at 'B', and finally pressing home to secure the pump as shown in Fig 3 overleaf.

## ASSEMBLY cont.



6. Install the pump by clipping into position as shown in Fig. 3, ensure the pump tubing is not kinked.

7. Once the pump is clipped firmly into position, carefully lower the cutter assembly into position in the water tank taking care not to trap the pump tubing or pump power lead. Check the cutter assembly is sitting flat before continuing.



8. Remove the head securing knob, arrowed in Fig. 4, This will free the head and allow it to be moved in order to gain access to the securing post, arrowed in Fig. 5.



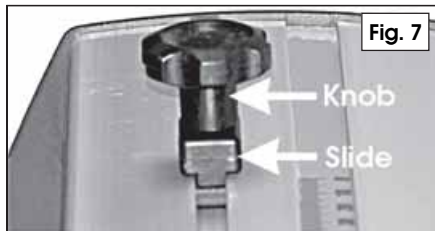
9. Unscrew and remove the securing post and, store safely, with securing nut, for use if the cutter is transported at a later date.

**NOTE: removing the securing post is optional, and is only necessary in order to use the maximum table width available.**

Carefully continue traversing the head towards the R/H side until it reaches the stop.



10. To prevent damage to the electrical input cable and the coolant hose, they are encased in a flexible track. The track needs to be secured at the motor end as indicated in Fig.6, using the two screws provided



11. Two Head Transverse Stops are provided on the top of the machine. These allow head movement to be restricted, as desired.

Thread the slides on to the screw threads of the transverse stops, ensuring they are the right way up, then screw on the stop knobs as shown in Fig.7 Fig. 7

Temporarily position stops, one at each end of the unit and loosely secure with locking knobs.



12. Screw the plug into the hole in the water tank, ensuring the rubber washer is beneath the tank.

13. Finally, remove the cutting disk cover - three screws, and check to ensure the disk is properly secured. Remember the securing nut carries a LEFT HAND THREAD - turn ANTICLOCKWISE to TIGHTEN.

## OPERATION

**CAUTION: Ensure the unit is completely stable by adjusting the legs accordingly**

1. Fill the water tank with clean cold water until the top of the pump is just covered, DO NOT overfill. Check the water level **constantly** during use and top up as necessary.

L/H Side



2. Traverse the head as far as possible to the left hand side of the machine.

3. With the machine disconnected from the mains supply, measure the tile to be cut and proceed to adjust:

a.) The angle of the cutting head which can be adjusted up to 45 degrees from the horizontal for mitre edge cuts if required. For normal straight cuts at 90°, the head should be set to zero degrees in the scale at the R/H end of the machine.



Fig. 9

b.) For straight cuts, remove the Mitre Gauge by unscrewing the two knurled nuts arrowed in Fig. 9 and slide the assembly out of the housing. The tile is then placed up against the fence as desired.

For angle cutting, the mitre gauge is set as indicated in Fig.9, with the appropriate angle set, and the gauge fully locked in position.

5. Start the machine by pressing the green button on the switch panel, marked 'I', wait for the cutting disc to reach full speed before continuing.

6. Hold the tile to be cut firmly at all times, against the gauge/fence. Slowly move the head towards the R/H side until the cutting disc just touches the tile. Continue steadily moving the head whilst observing the cut as you do so.



DO NOT force the head. Maintain the maximum disc speed at all times, allow the tool to do the work.

Always cut in a straight line and **DO NOT** attempt to cut a curved line.

**Keep hands well clear of the disk whilst it is in motion. Remove all pieces using a scrap piece of wood, or similar, before making the next cut.**

5. To stop the machine at any time, press the red button on the switch panel marked 'O'. NEVER attempt to slow the machine quickly by putting excess pressure on the disk.

Always do this as soon as cutting has been completed, and before making any adjustments to the machine. NEVER attempt to make adjustments, however small, whilst the disc is running, ALWAYS wait for it to come to a complete stop first.

**NOTE: In order to get the feel of the machine and reduce the possibility of wastage, we recommend that trial cuts are made first with surplus or scrap material of a similar type to that to be cut.**

## MAINTENANCE

When carrying out servicing or maintenance tasks...**ALWAYS** disconnect the machine from the mains supply.

Clean external parts of the machine with a damp soft cloth, **DO NOT** use harmful abrasives or chemicals as this could damage the machine and invalidate your warranty

The bearings etc are all sealed and packed with lubricant which should last the lifetime of the machine.

Periodically inspect for wear, the runners on the underside of the aluminium extrusion (Item 6 in parts list) which the head bearings run, clean the runners and reapply a thin film of general purpose grease to the runners.

Always rotate the cutting disk by hand before use to check for cracks or distortion. If any damage is detected, renew the disk. **NEVER** use a cracked/damaged cutting disc. Remember - the disk securing nut carries a **LEFT HAND THREAD**. Turn clockwise to undo.

Check the power cable to ensure it is in perfect condition, any defects should be rectified before using the cutter again.

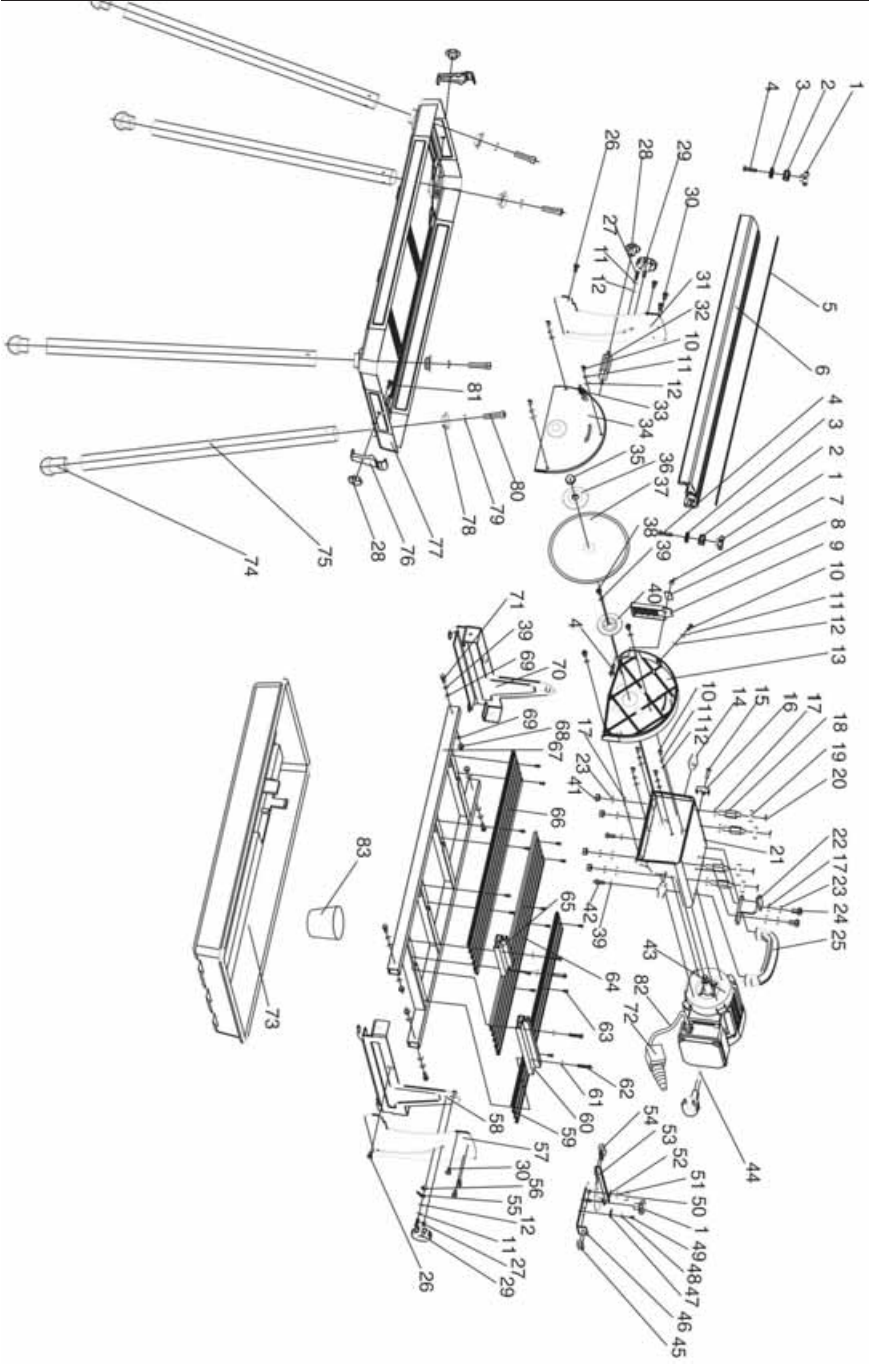
Drain the water tank after use and ensure it is dry before storing. To clean the water tank thoroughly, it will be necessary to remove the tank completely (refer to the installation instructions to do this).

Clean the pump by running it under cold water to remove any sediment etc. Separate the filter from the body by carefully turning the filter housing half a turn and gently pulling apart, taking care not to let the impeller etc fall out.



**ALWAYS** maintain the machine in top condition. When not in use, keep it covered, and store in a dry place, not exposed to the elements.

PARTS DIAGRAM



## PARTS LIST

No.	Part No	Description	Qty	No.	Part No	Description	Qty
1	HTETC40001	Knob	2	42	HTETC40042	Screw M6x16	2
2	HTETC40002	Locating Block (A)	2	43	HTETC40043	Motor	1
3	HTETC40003	Locating Block (B)	2	44	HTETC40044	Power Cord	1
4	HTETC40004	Hex Bolt M6x20	2	45	HTETC40045	Slide Block	2
5	HTETC40005	Guide Ruler	1	46	HTETC40046	Mitre Gauge	1
6	HTETC40006	Guide Bar	1	47	HTETC40047	Pointer	1
7	HTETC40007	Wing Nut	2	48	HTETC40048	Flat Washer Ø4	1
8	HTETC40008	Flange	1	49	HTETC40049	Screw M4x6	1
9	HTETC40009	Baffle	1	50	HTETC40050	Nut	1
10	HTETC40010	Screw M5x12	2	51	HTETC40051	Washer	1
11	HTETC40011	Spring Washer Ø5	2	52	HTETC40052	Washer	1
12	HTETC40012	Flat Washer Ø5	2	53	HTETC40053	Mitre Gauge	1
13	HTETC40013	Inner Blade Cover	1	54	HTETC40054	Knob	1
14	HTETC40014	Rubber Stop	2	55	HTETC40055	Pointer	1
15	HTETC40015	Screw M5x16	2	56	HTETC40056	Washer	1
16	HTETC40016	Clamp	2	57	HTETC40057	Side Bracket (B)	1
17	HTETC40017	Flat Washer Ø8	4	58	HTETC40058	Bracket (A)	1
18	HTETC40018	Ecentric Shaft	1	59	HTETC40059	Extension Table (B)	1
19	HTETC40019	Bearing	2	60	HTETC40060	Front Rail (Right)	1
20	HTETC40020	Circlip Ø9	4	61	HTETC40061	Large Washer, Ø5	1
21	HTETC40021	Motor Bracket	1	62	HTETC40062	Hex Bolt M5x25	2
22	HTETC40022	Pointer	1	63	HTETC40063	Screw M4x10	8
23	HTETC40023	Spring Washer Ø8	4	64	HTETC40064	Main Table	1
24	HTETC40024	Hex Bolt M8x12	2	65	HTETC40065	Front Rail Left	1
25	HTETC40025	Handle	1	66	HTETC40066	Extension Table (A)	1
26	HTETC40026	Hex Bolt M6x16	4	67	HTETC40067	Table Support	2
27	HTETC40027	Screw M5x20	4	68	HTETC40068	Hex Nut M6	4
28	HTETC40028	Knob	2	69	HTETC40069	Large Washer	4
29	HTETC40029	Locking Knob	2	70	HTETC40070	Bracket (B)	1
30	HTETC40030	Hex Bolt M6x18	3	71	HTETC40071	Hex Bolt M6x40	4
31	HTETC40031	Side Bracket	1	72	HTETC40072	Pump	1
32	HTETC40032	Hex Post	1	73	HTETC40073	Water Tank	1
33	HTETC40033	Chain Assembly	1	74	HTETC40074	Rubber Foot	4
34	HTETC40034	Outer Blade Cover	1	75	HTETC40075	Leg	4
35	HTETC40035	Hex Nut M8	1	76	HTETC40076	Retaining Clamp	2
36	HTETC40036	Outer Flange	1	77	HTETC40077	Base frame	1
37	HTETC40037	Cutting Disc	1	79	HTETC40079	Spring Washer	4
38	HTETC40038	Screw M6x16	1	80	HTETC40080	Skt Screw M10x20	4
39	HTETC40039	Spring Washer Ø6	1	81	HTETC40081	Square Bolt	2
40	HTETC40040	Inner Flange	1	82	HTETC40082	Hose	1
41	HTETC40041	Hex Nut M8	4	83	HTETC40083	Water Tank Plug	1