

EUROPEAN TOUCH - LIMITED CONDITIONAL* WARRANTY

European Touch Holdings, Inc. ("European Touch") conditionally warrants your whirlpool pedicure spa (the "Pedicure Spa") in accordance with the terms and conditions set forth below for a period of one (1) year commencing on the original date of shipment of the Pedicure Spa to you. The warranty only applies to the Pedicure Spa's original end-user owner or customer (the "Customer"). **This Conditional Warranty is non-transferable and replaces any warranties previously published by European Touch.**

If examination of the Pedicure Spa by European Touch during the applicable warranty period shows it to have a defect in material or workmanship, European Touch will, at its option, repair or replace the defective component or part thereof. Further, European Touch may, at its discretion, replace a defective component or part with a refurbished component or part, or may replace the Pedicure Spa with a refurbished pedicure spa. If European Touch elects to replace the Pedicure Spa, the replacement pedicure spa must be comparable in style and size to the Pedicure Spa. The Customer shall bear all charges incurred for the shipment to it of replacement components or parts, or a replacement pedicure spa, and the cost of all labor incurred in repairing defects in the Pedicure Spa or repairing or replacing any of its defective components or parts.

The foregoing limited warranty does not apply:

- To the Pedicure Spa, or any components or parts thereof, if subjected to misuse or neglect or if accidentally or intentionally damaged.
- To the Pedicure Spa, or any components or part, if altered or modified in any way.
- To any expenses incurred by the Customer or any third party, including labor or material, during investigation, removal or reinstallation of the Pedicure Spa or any defective components or parts.
- To any damage to or impairment of the Pedicure Spa, or any components or parts thereof, caused by any casualty, including without limitation, accident, fire, wind, floods, acts of nature or attempted theft.
- To any workmanship of a fabricator (other than European Touch) or installer of the Pedicure Spa.
- If damage to pump parts and/or motor parts is due to obstructed plumbing.
- If the Pedicure Spa is removed from its place of initial installation.
- To staining, fading, or discoloration of any portion of the Pedicure Spa caused by water additives or improper water treatment.
- To staining, fading or discoloration of the Pedicure Spa's upholstered seat, armrests or footrests.
- To malfunctions or damage caused by improper installation of the Pedicure Spa, including, but not limited to, failure to meet local, state, or local plumbing, electrical and building codes.
- To damage resulting from a person standing in the Pedicure Spa's basin or other similar stress to that basin.
- To freight damage.
- To damage incurred to the Pedicure Spa while in possession of any party other than European Touch.

This foregoing conditional limited warranty is also conditional upon:

- The Pedicure Spa being installed by a licensed professional in accordance with European Touch's installation instructions.
- The proper use of cleaning and sanitizing solutions in accordance with the manufacturer's instructions, or state board. It must be noted that repeated use of concentrated sodium hypochlorite solutions (chlorine bleach), concentrated ether solutions, or acetone will damage chrome and plumbing components and will void the limited warranty on those parts.

European Touch recommends that you thoroughly read labels and use sanitizing products void of these chemicals.

- Use of this pedicure spa for functions it was not created for, including, but not limited to, ionic detox or any process that operates by reverse electroplating; this use will destroy plated parts and void the warranty.
- Shipment, if requested, to European Touch of Pedicure Spa parts or components thought to be defective. Parts or components may only be returned if authorized in advance by European Touch. All returns must be freight prepaid.
- Determination by European Touch, in its reasonable discretion, that there exists a defect in material or workmanship.

Repair or replacement of any part or component under this Limited Warranty, or furnishing a replacement pedicure spa, shall not extend the duration of the warranty with respect to such repaired or replaced part beyond the stated warranty period. When a part or component is replaced, it will be under warranty for 90 days, or for the remaining life of original warranty, whichever period is greater.

Customer agrees by using the Pedicure Spa that

- **THE OBLIGATION OF EUROPEAN TOUCH SHALL NOT EXTEND TO INDIRECT OR CONSEQUENTIAL DAMAGES OR INJURY WHICH MAY RESULT FROM SUCH USE**
- that the obligations of European Touch are limited to those set forth herein
- this warranty is limited to the original owner/end-user and is non-transferable
- European Touch shall not be liable for any other obligations or liabilities, including, but not limited to: obligations or liabilities arising out of breach of contract or warranty, negligence, or other tort or any theory of strict liability with respect to the Pedicure Spa or parts or components thereof or any acts or omissions of European Touch
- Any assistance European Touch provides to the Customer outside of terms, limitations, or exclusions of this limited warranty will not constitute a waiver of any of the foregoing terms, limitations, or exclusions, nor will such assistance extend or revive the warranty.

THIS LIMITED WARRANTY IS IN LIEU OF ALL OTHER WARRANTIES, EITHER EXPRESS OR IMPLIED, AND ALL SUCH OTHER WARRANTIES, INCLUDING WITHOUT LIMITATION, IMPLIED WARRANTIES OF MERCHANTABILITY OR FITNESS FOR A PARTICULAR PURPOSE, ARE HEREBY DISCLAIMED AND EXCLUDED FROM THIS LIMITED WARRANTY. NO DEALER OR OTHER PERSON HAS ANY AUTHORITY TO BIND EUROPEAN TOUCH TO CHANGES OR ADDITIONS TO THIS WARRANTY OR ITS PRODUCTS. ACCORDINGLY, EUROPEAN TOUCH IS NOT RESPONSIBLE FOR ANY SUCH OUTSIDE WARRANTIES OR REPRESENTATIONS.

IN NO EVENT SHALL EUROPEAN TOUCH BE LIABLE IN ANY WAY FOR ANY CONSEQUENTIAL, SPECIAL, OR INCIDENTAL DAMAGES OF ANY NATURE WHATSOEVER, OR FOR ANY AMOUNTS IN EXCESS OF THE SELLING PRICE OF THE PEDICURE SPA OR ANY COMPONENTS OR PARTS THEREOF FOUND TO BE DEFECTIVE. THIS LIMITED WARRANTY GIVES THE CUSTOMER SPECIFIC LEGAL RIGHTS. THE CUSTOMER MAY ALSO HAVE OTHER RIGHTS WHICH MAY VARY BY EACH JURISDICTION.

Should your Pedicure Spa require service due to a defect or malfunction, please contact:

European Touch – Technical Support
800.626.6912 | 414.357.7016 | f: 414.357.6360
email: service@europeantouch.com
website: www.europeantouch.com

INSPECTION OF THE PETITE SPA™

Inspect the Petite Spa™ and packaging. If any damage to the Petite Spa™ or its packaging is visible, please contact your local Petite Spa™ reseller or call European Touch Customer Support at 800-626-6912.



IMPORTANT INFORMATION

Serial Number: _____

Work Order Number: _____

Installed By: _____

Installation Date: _____



The serial number is located on a white label on the power cord of the Petite Spa™.



The work order (WO) is located on the UL label. The UL label is located next to where the power cord enters the Petite Spa™.

Do not remove the tags from the electrical cord.

TABLE OF CONTENTS

EUROPEAN TOUCH - LIMITED CONDITIONAL * WARRANTY.....	2
INSPECTION OF THE PETITE SPA™	4
IMPORTANT INFORMATION	4
INTRODUCTION	6
PRECAUTIONS	6
VERY IMPORTANT! DO NOT STAND IN TUB!.....	6
RECEIPT & INSPECTION.....	6
WARNING.....	6
PETITE SPA™ SPECIFICATIONS	7
PARTS & CONTENTS	8
PETITE SPA™ OPERATING INSTRUCTIONS	9
ELECTRICAL OUTLET	9
FILLING AND RUNNING THE PETITE SPA™	9
DRAINING THE PETITE SPA™	11
PETITE SPA™ - CLEANING AND DISINFECTING PROCEDURES.....	13
REMOVAL / REPLACING JET PARTS	14
PEDICURE PRODUCT GUIDELINES.....	15



EUROPEAN TOUCH™

800-626-6912 414-357-7016

Fax: 1-414-357-6360

etservice@europeantouch.com info@europeantouch.com

www.europeantouch.com

INTRODUCTION

European Touch sincerely thanks you for your spa purchase! The Petite Spa™ (herein called pedicure spa) has been developed and is manufactured by European Touch. This innovative whirlpool pedicure spa has been designed to serve you dependably for many years. Please take time to read through this entire manual before installation and use.

Please read and follow instructions carefully!

PRECAUTIONS

- ◆ Excessive water temperature is dangerous and should be checked before use. Maximum temperature of the water inside the pedicure spa tub should never exceed 100 degrees Fahrenheit.

VERY IMPORTANT! DO NOT STAND IN TUB!

- ◆ The pedicure spa has been designed to massage the feet and toes with gentle water movement. **The tub is not intended to be stood in.** Standing in tub may cause severe damage to the unit as well as possible serious injury to the person. **Never** bring and/or operate any electrical devices into or near the pedicure spa.

RECEIPT & INSPECTION

- ◆ Thoroughly inspect each shipment immediately upon arrival. It is important that you notify the driver of any damage and insist on a notation directly on the face of the freight bill. Failure to note damage on the face of the freight bill may impede and/or prevent any claims that you may have against the carrier. If concealed loss or damage is found, you must notify the carrier at once and request an inspection. **Do not discard the shipping carton.** If you give the carrier a clear receipt for goods that have been damaged in transit, you do so at your own risk and expense.

WARNING

- ◆ Individuals experiencing pain or discomfort... **Discontinue use of spa immediately and consult a physician.**
- ◆ Diabetics and individuals whom have poor circulation... **Consult a physician before using.**
- ◆ Individuals whom have any kind of fungal infection, swelling, fracture, or persistent pain or if any areas of their feet or legs are inflamed or have open wounds... **Do not use the spa.**
 - European touch reserves the right to make changes in product characteristics, packaging, colors, and design at anytime without notice.

PETITE SPA™ SPECIFICATIONS

Overall Dimensions: 27 1/2"L (70.5cm) x 27"W (70cm) x 19"H (48cm)

Shipping Dimensions: 36"L (93cm) x 42"W (109cm) x 27"H (70cm)

Empty Weight: 55lbs. (24kg) **Filled Weight:** 95lbs. (43kg)

UPS Shipping Weight: 99lbs. (44.8kg)

Capacity of Tub: 5.4 U.S. gallons (20.4L)

Whirlpool Pump Motor: 1/2 HP, 110V, 60HZ (220 volt and T-Mark voltages also available)

Power Source: 110V AC / 5Amp, 60HZ (GFCI Protected)



Caution: Pedicure spa must conform to all local and national electrical codes.

Construction: Linear Low Density Polyethylene (LLDPE), self-contained, pre-plumbed

Hydro-Therapeutic Jet System: PVC, two (2) fully-directional jets, built-in air control

Electrical Switches: One (1) push ON/OFF, air-activated safety switch for whirlpool pump

Fill & Drain Hoses: 1/2" ID x 7' (213cm), braided nylon, brass fittings, plastic quick-disconnects

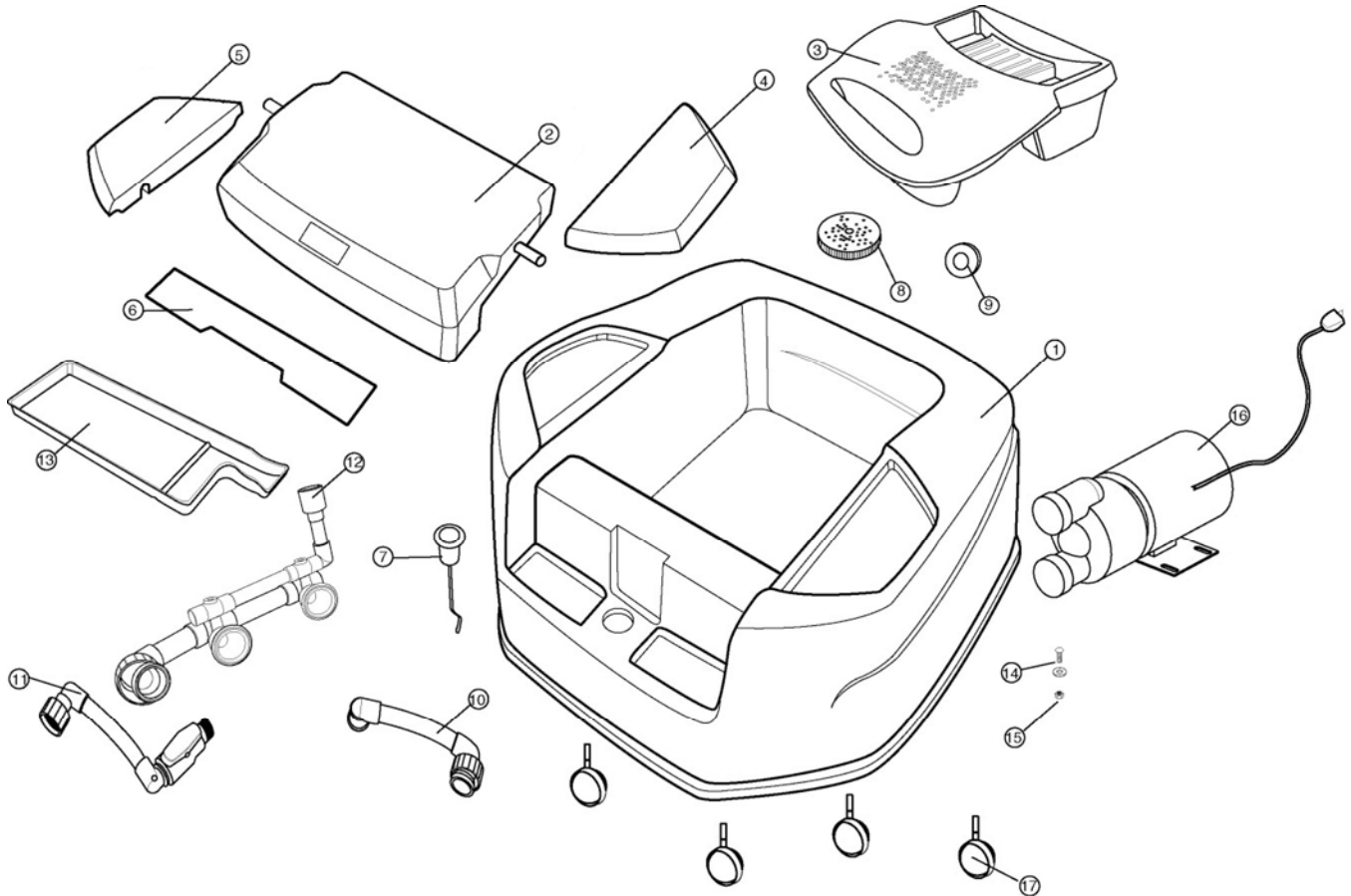
UL Listed • CE Certified: Complies with ASME/ANSI Whirlpool Bathtub Specs. ASME/ANSI A112.19.7M-1995 and A112.19.8M-1995

Limited Warranty: One (1) year from date of shipment, Whirlpool Pump Two (2) years.



Due to our policy of continuous improvements, all specifications are subject to change without notice.

PARTS & CONTENTS



Item, Part Number, & Description

1	multi	Petite Shell	10	01150006	Suction Pipe Assembly
2	01010023	Footrest – Center	11	01150002	Discharge Valve Assembly
3	01010021	Petite Tub Cover	12	01150004	Jet Sub-Assembly
4	01010031	Footrest – Left Side	13	01010020	Spill Tray
5	01010032	Footrest – Right Side	14	01130003	5/16 X Bolt
6	01130006	Rivet – Aluminum 12	15	01130005	5/16 Locknut
7	030130002	Air Button	16	01040002	Whirlpool pump
8	03010008	Suction Cover	17	01130002	Front Caster – Locking
9	03010010	Suction Head Guard	17A	01130010	Rear Caster – Non-Locking

PETITE SPA™ OPERATING INSTRUCTIONS

ELECTRICAL OUTLET

Your Petite Spa™ should be conveniently located near adequate utilities during use. A 115v, 60hz GFCI protected outlet must be used. Do not operate the pedicure spa without GFCI protection. The Petite Spa™ is also available in a 100v and 220v version. Warning: Do not use extension cords with the pedicure spa.

FILLING AND RUNNING THE PETITE SPA™



Replace the faucet aerator with the faucet adaptor included in the hose kit.



Screw the white quick connect adaptor into the blue female hose. Connect the adaptor to the faucet by sliding the white sleeve down while sliding the connector onto the faucet adaptor.



The discharge valve is located at the bottom of the spa. **Make sure that the valve is closed before filling with water.**



The discharge valve is closed when the valve handle is horizontal.



Fill the spa with warm water. It is not recommended that the water temperature exceeds 100 degrees F.



Fill the tub with water to the wavy line on the tub wall.



The on/off button is located underneath the footrest. Push it once to start the spa, push it again to stop the spa.



Adjust the pressure of the jets by turning the round adjusting cover on each jet. To adjust the direction of the water flow, move the jet eyeball located in the center of the jet assembly.

DRAINING THE PETITE SPA™



Close the jets by turning the adjusting cover clockwise, so that no water flows through the jets.



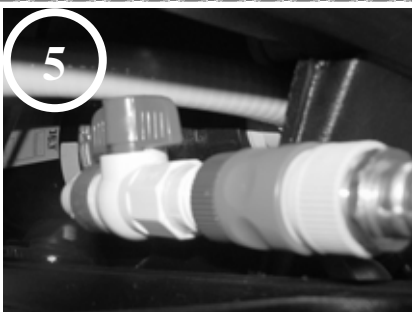
Turn the spa off by pushing the on/off button located under the footrest.



Screw the orange disconnect adapter to the male hose. Slide the orange quick connect onto the discharge valve. Make sure that the connection is secure.



Route the discharge hose into a drain or sink.



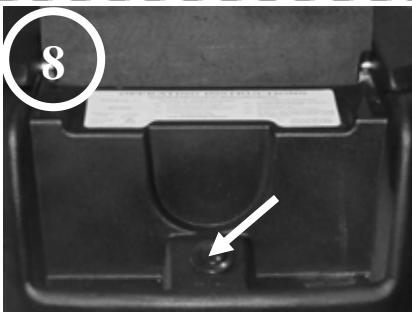
Open the discharge valve by turning the handle so that it is straight with the discharge valve.



Make sure the hose is secure, and then turn the spa on by pushing the on/off button located under the footrest.



Run the pump until the water stops draining out of the hose. It is normal for a low volume of water to run out of the jets while the spa is draining.



Turn the spa off by pushing the on/off button located under the footrest.



Close the discharge valve handle and disconnect the drain hose from the discharge valve.



Pull the drip pan out about halfway and slowly open the discharge valve. Drain the remaining water into the drip pan and pour the water into a drain or sink. Repeat this until there is no more water draining out. Once this is done, close the discharge valve handle.

PETITE SPA™ - CLEANING AND DISINFECTING PROCEDURES

Always check with your state board for required cleaning and disinfecting procedures.

It is extremely important to clean and disinfect your pedicure spa **after each pedicure, after the last pedicure of the day, and once a week for overnight cleaning.** Regular cleaning will help keep your pedicure spa in good working condition. Proper and continuous cleaning will kill harmful bacteria and germs that can cause infection.

To clean the pedicure spa, follow these easy steps:

After Each Pedicure:

1. Drain water from the pedicure spa by turning the drain handle to the “Open” position. **Remove all debris.**
2. Clean all the surfaces of the basin and all components. Use low-sudsing soap or detergent, and a non-abrasive brush. Remove all visible residue from basin and then rinse with the sprayer.
3. Disinfect all surfaces and components with an EPA registered disinfectant in accordance with your state board requirements. ***EPA disinfectants require ten-minute contact.**
4. Rinse off with clean water using the sprayer and wipe all parts dry with clean towel.

After Last Pedicure of the Day:

1. Drain water from the pedicure spa by turning the drain handle to the “Open” position. **Remove all debris.**
2. Remove the following:
 - a. Drain cover as shown on page 21.
 - b. Suction cover as shown on page 20.
 - c. Jets as shown on page 20.
3. Remove all debris then wash each component with low-sudsing soap, or detergent, using a soft brush. Disinfect the components as well as the areas behind them with an EPA registered disinfectant. Follow your state board requirements for disinfecting. Replace all components.
4. Clean all the surfaces of the basin using low-sudsing soap or detergent, and a non-abrasive brush. Remove all visible residue from basin and then rinse with sprayer.
5. Fill basin with clean warm water to the fill line.
6. Pour into the basin **three teaspoons** of low-foaming dishwasher crystals (not gel) and **1 ounce** of household bleach for up to six gallons of water.

Follow your state board requirements as they may differ from the above step.

7. Turn on the whirlpool jets and let run for ten minutes.
8. Turn the jets off and drain water from the basin.
9. Rinse the basin and all other components with clean water using the sprayer.
10. Refill the basin with clean water. Turn the jets on and run for one minute.
11. Drain water from the basin and turn off the whirlpool jets. Then wipe dry with a clean towel.
12. Make a record of the date and time of this cleaning and disinfecting.

Once a Week Overnight Cleaning:

In addition to the daily cleaning, the following cleaning procedures must be done every week.

1. Follow steps **one through seven** as listed above as in “After Last Pedicure of the Day.”
2. Turn jets off after ten minutes and **let solution sit over night in basin (six to ten hours).**
3. The next morning drain, rinse, and wipe dry with a clean towel.
4. Make a record of the date and time of this cleaning and disinfecting.

CAUTION: Cleaning products that contain abrasives can damage the pedicure spa. Use ONLY non-abrasive products to clean the pedicure spa.

REMOVAL / REPLACING JET PARTS

Tools required:

Pliers

7/8" deep well socket with extension

Check your state and local regulations for cleaning procedures. Links to your state boards can be found on our web site, at www.europeantouch.com. Refer to the cleaning procedure page headed "**Cleaning your Petite Spa™**," page 12, for cleaning recommendations.

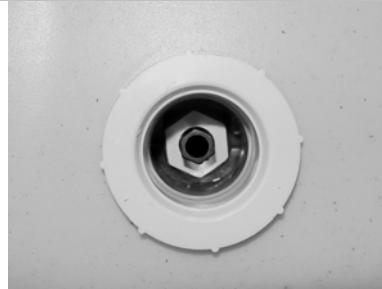
Follow the steps below for cleaning and replacing parts:



Step 1: Remove the jet eyeball using the pliers. Pull forward with a quick tug.



Step 2: Remove the adjusting cover. This should pull out.



Step 3: Remove the jet nozzle and nut using a 7/8" deep-well socket and extension.



Clean this area, using low foaming soap and disinfectant, with a brush. Remove all visible residue and rinse with clean water.

Step 4: For cleaning, refer to "**Cleaning your Petite Spa™**" on page 12. Reassemble the jet assembly. The jet nozzle nut should be hand tightened using the socket with extension. If the adjustment cover is hard to turn, slightly loosen the jet nozzle nut.

Step 5: Reverse steps to reassemble.

PEDICURE PRODUCT GUIDELINES

Because there are so many different products on the market, it is difficult for us to list all of the pedicure products that are safe to use in our spas. However, the following guidelines can be used:

- ◆ It has been determined that products containing dissolving abrasives (such as sea salts) will not harm the internal component structure of your pedicure spa as long as the entire European Touch care and maintenance guideline are followed without deviation.
- ◆ Do not use vegetable oil based products in the pedicure spa as they will degrade parts over time.
- ◆ Do not use any products containing a foaming agent; this will cause excessive foam.
- ◆ Always use pedicure products and cleaning solutions in accordance with each manufacturer's directions.
- ◆ It is your responsibility to understand and follow your states regulations.

European Touch whirlpool pedicure spas will give you many years of service as long as proper precautions, precise cleaning, and operating instructions are followed. It is the responsibility of the spa owner to properly clean and maintain the spa. If you are experiencing problems cleaning your spa, please contact the manufacturer of your pedicure products or **European Touch Technical Support @ 800-626-6912**.

