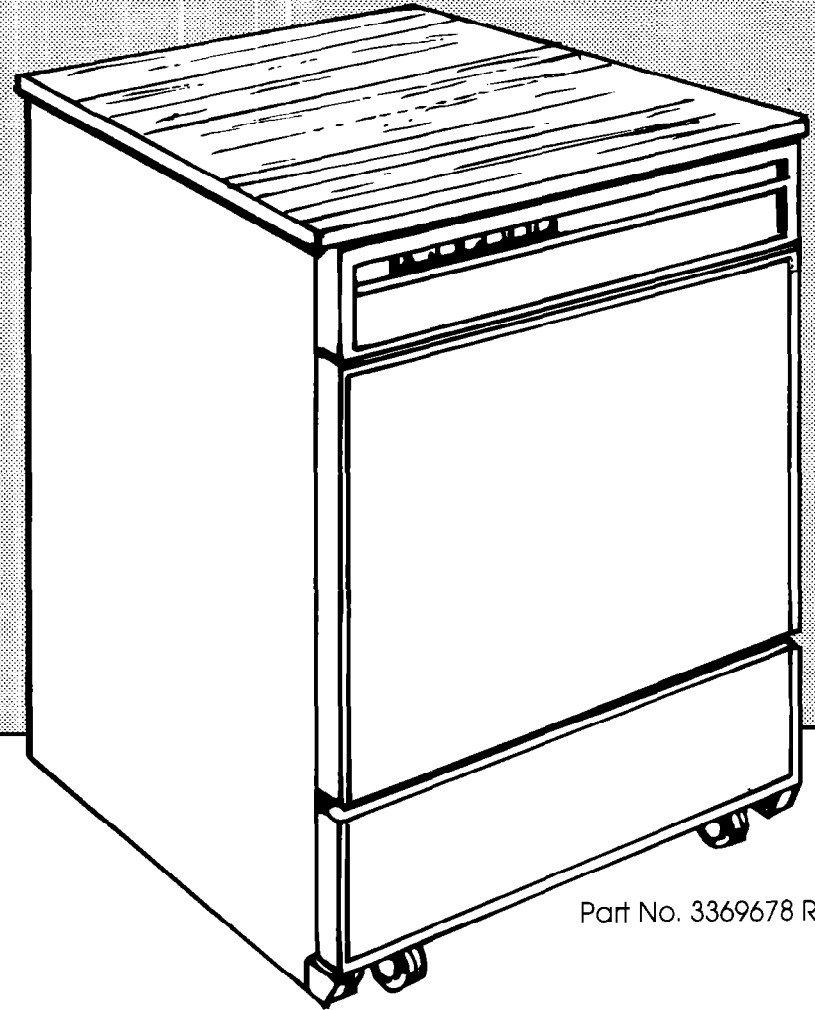


# Installation Instructions



Part No. 3369678 Rev. A

**IMPORTANT:**  
**Read and save**  
**these instructions.**

**IMPORTANT:**

**Installer:** Leave Installation Instructions with the homeowner.

**Homeowner:** Keep Installation Instructions for future reference.

**Save** Installation Instructions for local electrical inspector's use.

4/94

**Portable  
Dishwasher**

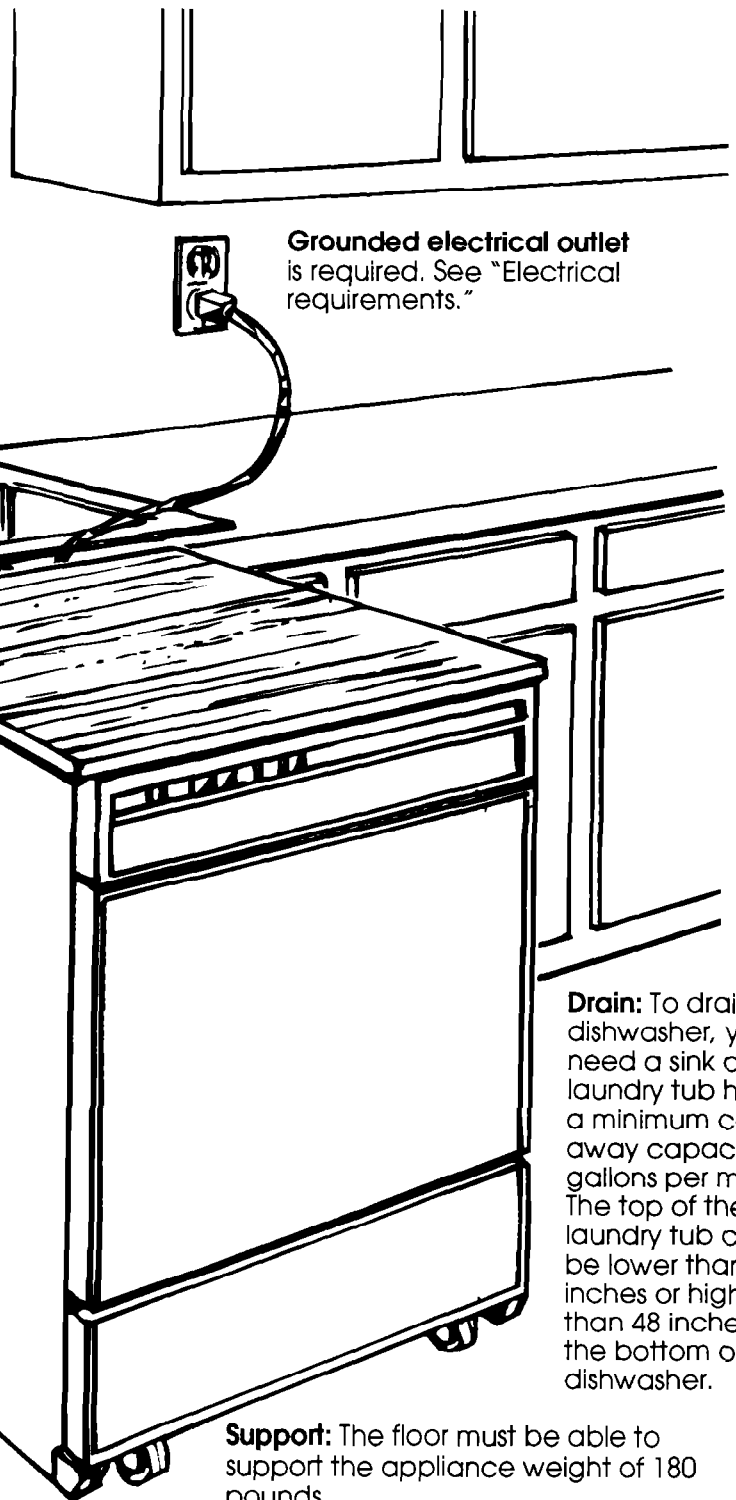
## Before you start...

Check the area where you will be using the portable dishwasher. Proper installation for operation is your responsibility. Make sure you have everything necessary to insure correct operation.

**Water heater:** Should be set to deliver 120°F water to dishwasher for best results.

**Hot water faucet or hot and cold single-spout water faucet:** Should be accessible within 30 inches of the back of the dishwasher and should provide 15-120 PSI water pressure.

**Important:** Observe all governing codes and ordinances.



**Grounded electrical outlet** is required. See "Electrical requirements."

**Drain:** To drain your dishwasher, you need a sink or a laundry tub having a minimum carry-away capacity of 7 gallons per minute. The top of the sink or laundry tub cannot be lower than 27 inches or higher than 48 inches from the bottom of the dishwasher.

**Support:** The floor must be able to support the appliance weight of 180 pounds.

### WARNING

#### Electrical Shock Hazard

It is the customer's responsibility:

- To contact a qualified electrical installer.
- To assure that the electrical installation is adequate and in conformance with National Electrical Code ANSI/NFPA 70 — latest edition,\* and all local codes and ordinances.

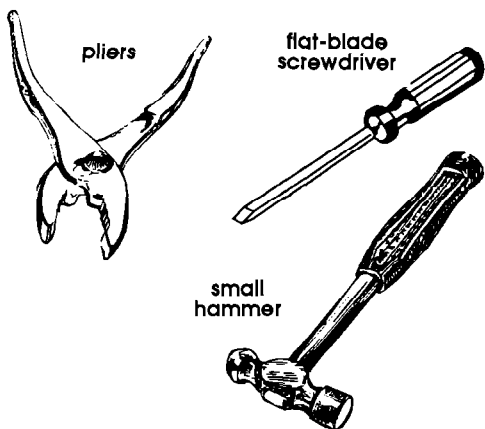
Failure to do so could result in fire, electrical shock or other personal injury.

Copies of the standards listed may be obtained from:

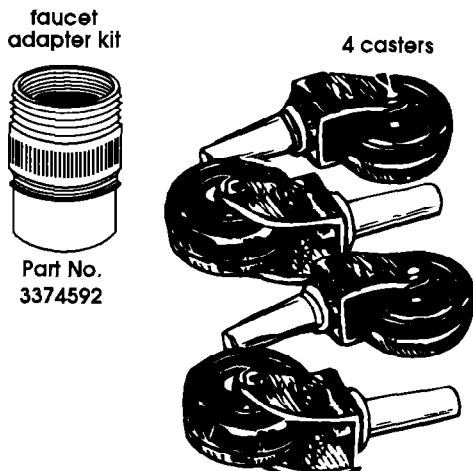
\*National Fire Protection Association  
Batterymarch Park  
Quincy, Massachusetts 02269

Remove parts and literature from the dishwasher tub. Close and latch dishwasher door.

## Tools needed for installation:



## Parts supplied for installation:



1 literature package

## Electrical requirements

### WARNING

#### Electrical Shock Hazard

- Electrical ground is required on this appliance.
- Do Not ground to gas pipe.
- Do Not modify the power supply cord. If the plug does not fit the outlet, have a proper outlet installed by a qualified electrician.
- Do Not have a fuse in the neutral or grounding circuit. A fuse in the neutral or grounding circuit could result in electrical shock.
- Do Not use an extension cord with this appliance.
- Check with a qualified electrician as to whether the appliance is properly grounded.

Failure to follow these instructions could result in a serious injury or death.

If codes permit and a separate grounding wire is used, it is recommended that a qualified electrician determine that the grounding path is adequate.

A 120-volt, 60-Hz, AC-only, 15- or 20-ampere, fused, electrical supply is required. Time-delay fuse or circuit breaker is recommended. It is recommended that a separate circuit serving only this appliance be provided.

## Recommended grounding method

For your personal safety, this appliance must be grounded. This appliance is equipped with a power supply cord having a 3-prong, grounding plug. To minimize the risk of electrical shock, it must be plugged into a mating 3-prong, grounding-type wall receptacle, grounded in accordance with the National Electrical Code ANSI/NFPA 70 — latest edition\*, and all local codes and ordinances. If a mating wall receptacle is not available, it is the personal responsibility and obligation of the customer to have a properly grounded, 3-prong wall receptacle installed by a qualified electrician. (See Figure 1.)

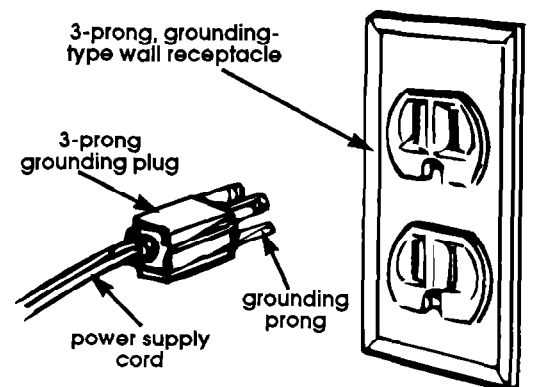
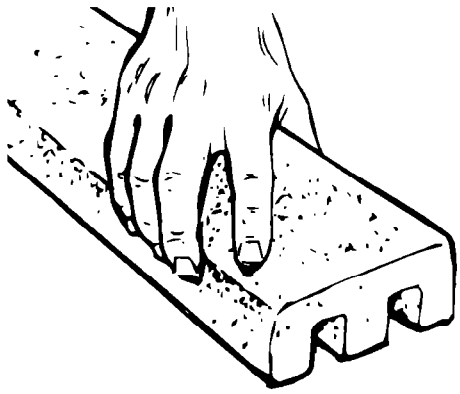


Figure 1

## Now start...

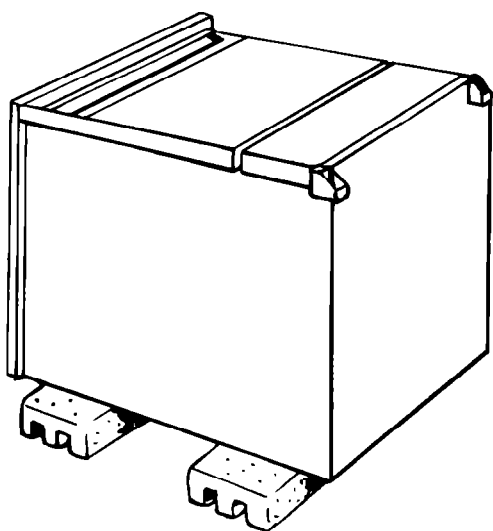


- 1.** Take two of the foam corners from the carton and place them on the floor behind the dishwasher.

### ! WARNING

#### Personal Injury Hazard

Because of the weight and size of this dishwasher, two people may be required to lift dishwasher. Failure to do so could result in personal injury.

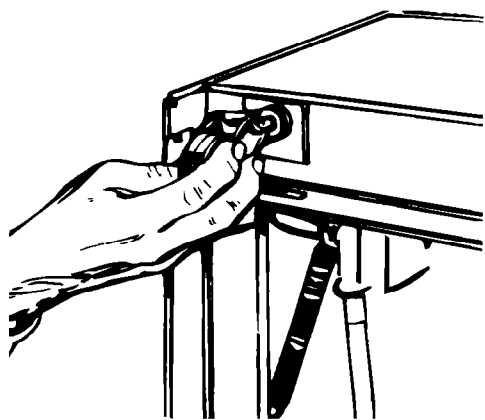


- 2.** Stand on the right or left side of the dishwasher. Firmly grasp the body of the dishwasher and gently lay it on its back on the foam corners.

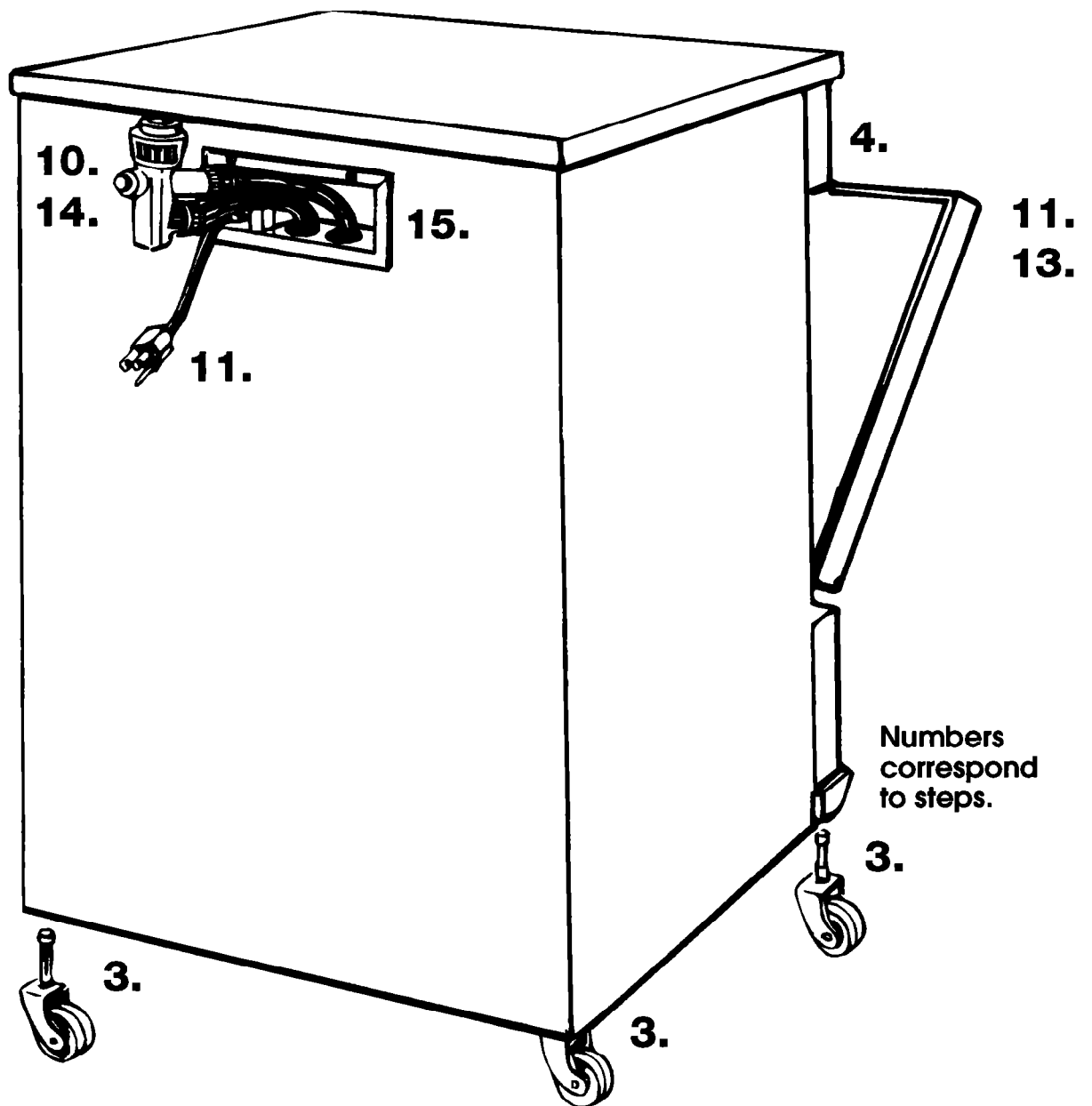
### ! CAUTION

#### Product Damage

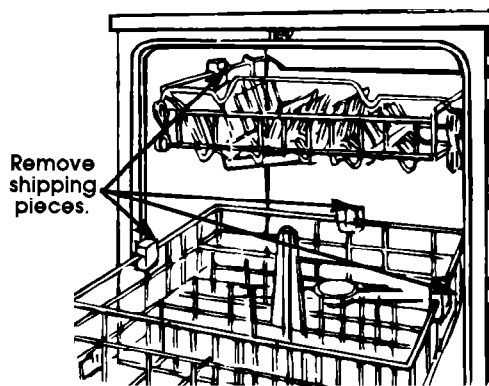
Check that casters are locked in place. If casters are not locked, they may fall out when the dishwasher is moved or cause the dishwasher to vibrate during use.



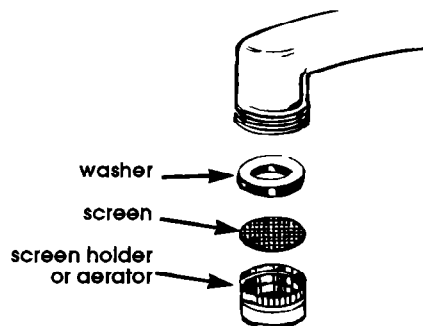
- 3.** Firmly push casters into holes at the corners of the dishwasher. Check that casters are locked in place. You may need to lightly tap casters with a small hammer until they lock in place.



Numbers correspond to steps.



- 4.** Stand dishwasher back up. Open door and remove beaded foam shipping pieces from racks.

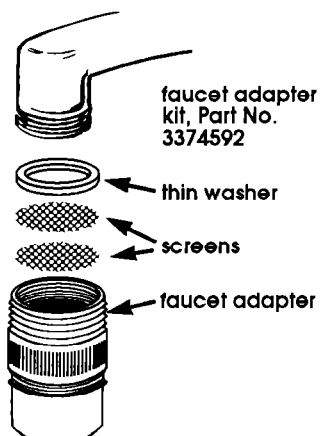


- 5.** Remove the screen holder or aerator, and washer, from the end of the faucet.

Use the faucet adapter kit that came with your portable dishwasher to modify the faucet where the dishwasher will be used.

#### Faucets with external threads

Use faucet adapter kit, Part No. 3374592. Insert the 2 screens and then the thin washer into faucet adapter. Attach adapter onto end of faucet. The thick washer is not used.



#### Faucets with internal threads

faucet adapter kit, Part No. 3374592

thick washer  
thin washer  
screens

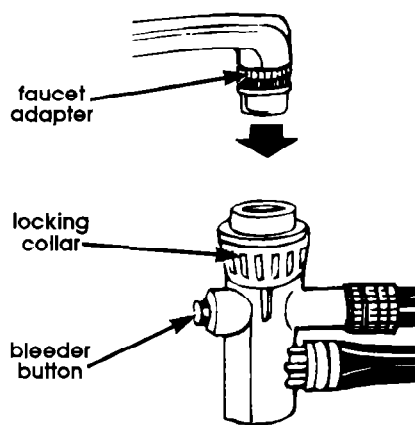
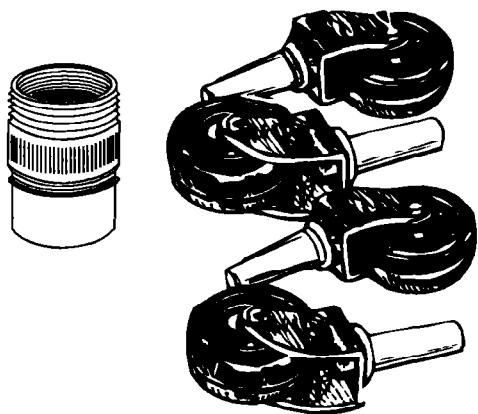
faucet adapter

Use adapter kit, Part No. 3374592. Insert the 2 screens, the thin washer and then the thick washer into faucet adapter. Attach adapter onto end of faucet. Both washers are used.

**For other faucet types:** See your local dealer or parts distributor for a special adapter kit.

**Note:** If the dishwasher will be used at a faucet equipped with a spray hose attachment, constant water pressure may affect the spray hose. To prevent potential problems, the spray hose should be permanently disconnected or replaced with a high-pressure hose.

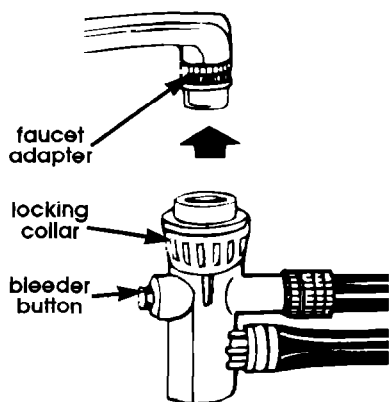
- 6.** CHECK THE ELECTRICAL REQUIREMENTS TO BE SURE YOU HAVE THE CORRECT ELECTRICAL SUPPLY AND RECOMMENDED GROUNDING METHOD. Check the Installation Instructions to see that you have completed each step. If you have skipped a step, go back and complete that step before you continue with the following steps.



**7.** Check that all parts were installed. If there is an extra part, go back through the steps to see which step was skipped.

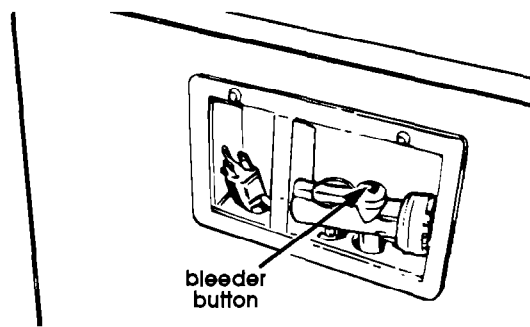
**8.** Check that you have all your tools.

**9.** Take a few minutes to read the Use and Care Guide so you can get the best use from your new portable dishwasher. Then move the dishwasher to the location where it will be used.



**10.** Turn on the hot water faucet until water is hot. Turn the faucet off. Pull the inlet/drain hose from the storage compartment. Attach the hose connector to the faucet by pulling down on the locking collar while pushing the connector over the faucet adapter. It will snap into place. Release the locking collar.

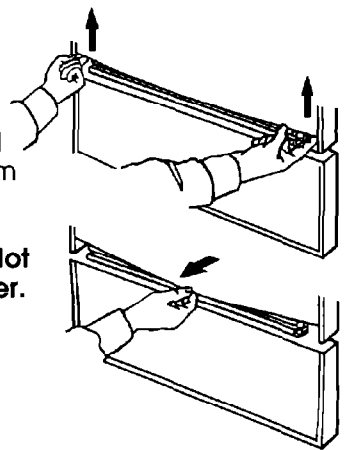
**14.** When the cycle is complete, unplug power supply cord and push cord into storage compartment. Turn the water faucet off. Press the bleeder button on the connector to release the water pressure. With one hand, move the locking collar downward while using the other hand to pull down on the connector. Turn the connector upside down and empty any water remaining inside the connector. Check for complete drain (no water should be visible).



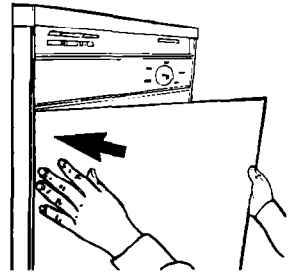
**15.** Push hoses into storage compartment.

**Congratulations!**  
You have just finished installing your new dishwasher. Keep Installation Instructions available for easy reference.

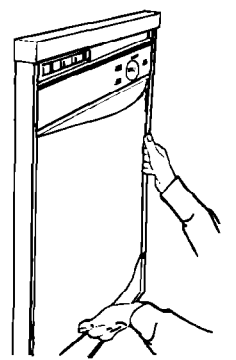
**2.** Lift door panel(s) at outer edges. Use one hand to bow bottom of panel(s). Remove panel(s). **Do Not remove spacer.**



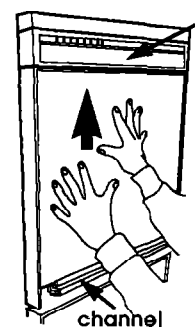
**3.** Insert one side of door panel(s), with desired color facing out, into one side of door frame.



**4.** Bow door panel(s) and insert other side of door panel(s) into door frame.



**5.** Push in on door panel(s) near the top and slide panel(s) and spacer up inside bottom of control console, allowing panel(s) to rest on channel at bottom of door.



control console  
channel

## Converting to built-in

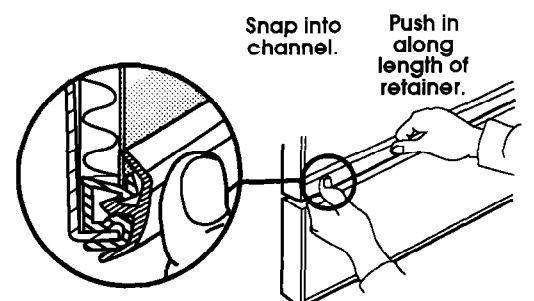
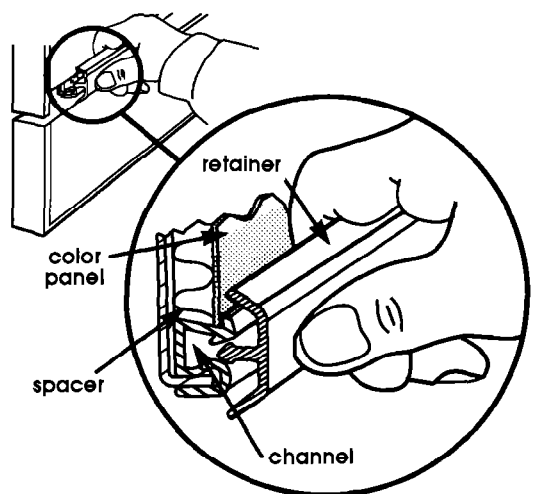
Your portable dishwasher can be converted to a built-in (undercounter) model by using conversion kit, Part No. 4317856. The kit is available from your dealer or authorized parts distributor. Installation Instructions are included with the kit.

## To change door panel color

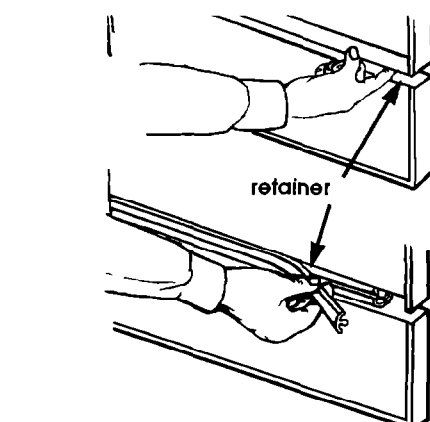
(For models so equipped.)

### ⚠ WARNING

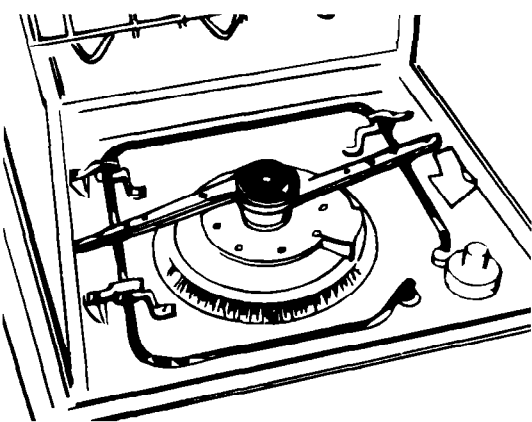
**Personal Injury Hazard**  
Wear gloves and handle panels carefully.  
Cut metal edges may cause personal injury or damage to other materials.



**6.** Snap one end of retainer into channel as shown. Push inward while sliding thumb along full length of retainer.



**1.** Insert finger under one end of retainer and pull towards you in a peeling action. Set retainer aside.



**11.** Untape the power supply cord and plug it into the grounded outlet. Open the dishwasher door and spin the spray arm to check for movement. Close the door.

**12.** Turn hot water faucet to fully open position. Start dishwasher.

**13.** Check for leaks around the door and mounting gasket, and at the hose connections.

### ⚠ CAUTION

**Product/Property Damage**  
Turn water faucet off and press bleeder button to release water pressure before removing the drain hose from faucet.  
Failure to do so before removing drain hose may result in product or property damage.

## If the dishwasher is not operating properly...

Check these points:

- Is the door closed tightly and latched securely?
- Has the cycle been set correctly to start the dishwasher?
- Is the water turned on?
- Has the power supply cord been plugged in?
- Has a house fuse blown or a circuit breaker tripped?
- Has electrical power been interrupted?

**Note: If the motor stopped because of overload, it will automatically reset itself within a few minutes. If after checking these points the dishwasher still does not run or complete a cycle, call for service.**

## If you need assistance...

Check your Use and Care Guide for a toll-free number to call, or call the dealer from whom you purchased this appliance. The dealer is listed in the Yellow Pages of your phone directory under "Appliances — Major".

When you call, you will need the dishwasher model number and serial number. Both numbers are on the serial/rating plate, which can be found on the front frame behind the door.



Printed on recycled paper.  
10% post consumer waste/  
50% recovered materials.