

Vertical High Rise Stack (VHS) Series Submittal Data

Models 816-10 - 36
60Hz - R22

English Language/I-P Units



Rev.: 29 May, 2009B

ClimateMaster works continually to improve its products. As a result, the design and specifications of each product at the time of order may be changed without notice and may not be as described herein. Please contact ClimateMaster's Customer Service Department at 1-405-745-6000 for specific information on the current design and specifications. Statements and other information contained herein are not express warranties and do not form the basis of any bargain between the parties, but are merely ClimateMaster's opinion or commendation of its products. The latest version of this document is available at climatemaster.com.



LC105

Rev.: 29 May, 2009B



SUBMITTAL DATA - I-P UNITS

Unit Designation: _____

Job Name: _____

Architect: _____

Engineer: _____

Contractor: _____

PERFORMANCE DATA

Cooling Capacity: _____ Btuh

EER: _____

Heating Capacity: _____ Btuh

COP: _____

Ambient Air Temp: _____ °F

Entering Water Temp (Clg): _____ °F

Entering Air Temp (Clg): _____ °F

Entering Water Temp (Htg): _____ °F

Entering Air Temp (Htg): _____ °F

Airflow: _____ CFM

Fan Speed or Motor/RPM/Turns: _____

Operating Weight: _____ (lb)

ELECTRICAL DATA

Power Supply: _____ Volts _____ Phase _____ Hz

Minimum Circuit Ampacity: _____

Maximum Overcurrent Protection: _____

Vertical High Rise Stack (VHS) Series Submittal Data

Models 816-10 - 36
60Hz - R22

English Language/S-I Units



Rev.: 29 May, 2009B

ClimateMaster works continually to improve its products. As a result, the design and specifications of each product at the time of order may be changed without notice and may not be as described herein. Please contact ClimateMaster's Customer Service Department at 1-405-745-6000 for specific information on the current design and specifications. Statements and other information contained herein are not express warranties and do not form the basis of any bargain between the parties, but are merely ClimateMaster's opinion or commendation of its products. The latest version of this document is available at climatemaster.com.



LC105

Rev.: 29 May, 2009B



SUBMITTAL DATA - S-I UNITS

Unit Designation: _____

Job Name: _____

Architect: _____

Engineer: _____

Contractor: _____

PERFORMANCE DATA

Cooling Capacity: _____ kW

EER: _____

Heating Capacity: _____ kW

COP: _____

Ambient Air Temp: _____ °C

Entering Water Temp (Clg): _____ °C

Entering Air Temp (Clg): _____ °C

Entering Water Temp (Htg): _____ °C

Entering Air Temp (Htg): _____ °C

Airflow: _____ l/s

Fan Speed or Motor/RPM/Turns: _____

Operating Weight: _____ (kg)

ELECTRICAL DATA

Power Supply: _____ Volts _____ Phase _____ Hz

Minimum Circuit Ampacity: _____

Maximum Overcurrent Protection: _____

Table of Contents

	*Page Number
Unit Features	4
Selection Procedure	5-6
VHS Series Nomenclature	7 - 9
Performance Data - ARI/ASHRAE/ISO 13256-1	10
Performance Data Selection Notes	11
Performance Data - 816-10	12
Performance Data - 816-15	13
Performance Data - 816-20	14
Performance Data - 816-28	15
Performance Data - 816-30	16
Performance Data - 816-36	17
Performance Data Correction Tables	18
Blower Performance Data	19
Physical Data	20
Electrical Data	21
Wiring Diagram Matrix	22
Typical Wiring Diagram Single Phase VHS Units With CXM Controller	23
Typical Wiring Diagram Single Phase VHS Units With DXM Controller	24
Typical Wiring Diagram Single Phase VHS Units With DXM Controller with Night Setback, Emergency Shutdown, & Pump Restart	25
Typical Unit - Exploded View - Single Unit: Furred In & Ducted	26
AHH Series Stainless Steel Braided Hose Kit	27
Hinged "G" Style Return Air Panel	28
Hinged "G" Style Return Air Panel With Keyed Locks	29
"G" Style Return Air Panel with Cabinet Flush Mounted	30
"G" Style Return Air Panel with Cabinet Recessed Frame Kit Required	31
Hinged "H" Style Return Air Panel	32
Hinged "H" Style Return Air Panel	33
VHS Unit Dimensions - Single Unit, Furred In Cabinet (88 in. [2235mm] Height)	34
VHS Unit Dimensions - Master Unit, Furred In Cabinet (88 in. [2235mm] Height)	35
VHS Unit Dimensions - Slave Unit, Furred In Cabinet (88 in. [2235mm] Height)	36
VHS Master-Slave Cabinet Connected	37
VHS Cabinet Configurations	38
Air Flow vs. Grille Selection	39
Riser Definitions	40-41
Riser Arrangements - Top Floor Units	42
Riser Arrangements - Bottom Floor Units	43
Riser Extension Sizing	44
Riser Length Sizing	45
Cabinet Height & Slab Slot Size	46
Slab Slot Chart - 3 Pipe	47
Riser GPM Sizing	48
Riser Diameter Sizing	49
Riser Slot Arrangements	50
Shipping	51
Vertical High Rise - VHS Series Model 816 - 60Hz Engineering Specifications	52
Submittal Change Log	59

*Document page number is shown next to part number (e.g. LC105 - 3 = page 3). Since not all pages are typically used in the submittals process, the page number in the lower right corner can still be used (page ____ of ____).

ClimateMaster works continually to improve its products. As a result, the design and specifications of each product at the time of order may be changed without notice and may not be as described herein. Please contact ClimateMaster's Customer Service Department at 1-405-745-6000 for specific information on the current design and specifications. Statements and other information contained herein are not express warranties and do not form the basis of any bargain between the parties, but are merely ClimateMaster's opinion or commendation of its products. The latest version of this document is available at climatemaster.com.



THE VERTICAL STACK (VHS) SERIES

The VHS series offers an innovative, labor-saving solution for spaces where individual, quiet control of the heating and cooling system is important. VHS units' pre-piped risers and pre-wired cabinets are especially ideal for multi-story buildings. Cabinets can operate as stand-alone "ductless" systems, or can be ducted to an adjacent room, making them convenient for low-rise buildings as well. The VHS series meets ASHRAE 90.1 efficiencies, yet maintains small cabinet dimensions.

Available in sizes 3/4 ton (2.6 kW) through 3 tons (10.6 kW) with numerous cabinet, water piping and control choices, the VHS series offers a wide range of units for most any installation. The VHS has an extended range refrigerant circuit with a TXV refrigerant metering device. Standard features are many. Microprocessor controls, galvanized steel cabinet, torsion-flex blower motor mounting, and e-coated air coil are just some of the features of the innovative VHS series.

ClimateMaster's exclusive double isolation compressor mounting system makes the VHS series the quietest vertical stack units on the market. Compressors are mounted on vibration isolation springs to a heavy gauge mounting plate, which is then isolated from the cabinet base with rubber grommets for maximized vibration/sound attenuation. Options such as high static fan motor for ducted applications, DDC controls, internal pump and factory-installed water solenoid valves allow customized design solutions.

The VHS Series console water-source heat pumps are designed to meet the challenges of today's HVAC demands with a low cost/high value solution.

UNIT FEATURES

- Sizes 010 (3/4 ton, 2.76 kW) through 036 (3 ton, 10.6 kW)
- R22 Refrigerant
- Efficient rotary and reciprocating compressors
- Meets ASHRAE 90.1 efficiencies
- Removable chassis allows staged installation and ease of maintenance
- Galvanized steel cabinet
- Unique double isolation compressor mounting for quiet operation
- TXV metering device
- Unit or remote-mounted controls available
- Microprocessor controls standard (optional DXM and/or DDC controls)
- LonWorks, BACnet, Modbus and Johnson N2 compatibility options for DDC controls
- Unit Performance Sentinel performance monitoring system (remote controls)
- Integrated drain pan with condensate overflow sensor
- Attractive return air panel with hinged access door ("G" panel)
- Multiple supply air discharge options
- Stainless steel braided hose kits for connection from piping risers to chassis
- Eight Safeties Standard
- Wide variety of options including disconnect switch and internal pumps



New EarthPure® HFC-410A chassis now available in the Tranquility Modular (TRM) Series.



Selection Procedure

Reference Calculations

Heating	Cooling	
$LWT = EWT - \frac{HE}{GPM \times 500}$	$LWT = EWT + \frac{HR}{GPM \times 500}$	$LC = TC - SC$
$LAT = EAT + \frac{HC}{CFM \times 1.08}$	$LAT (DB) = EAT (DB) - \frac{SC}{CFM \times 1.08}$	$S/T = \frac{SC}{TC}$

Legend and Glossary of Abbreviations

BTUH = BTU(British Thermal Unit) per hour	HWC = hot water generator (desuperheater) capacity, Mbtuh
CFM = airflow, cubic feet/minute	IPT = internal pipe thread
COP = coefficient of performance = BTUH output/BTUH input	KW = total power unit input, kilowatts
DB = dry bulb temperature (°F)	LAT = leaving air temperature, °F
EAT = entering air temperature, Fahrenheit (dry bulb/wet bulb)	LC = latent cooling capacity, BTUH
EER = energy efficiency ratio = BTUH output/Watt input	LWT = leaving water temperature, °F
EPT = external pipe thread	MBTUH = 1000 BTU per hour
ESP = external static pressure (inches w.g.)	S/T = sensible to total cooling ratio
EWT = entering water temperature	SC = sensible cooling capacity, BTUH
GPM = water flow in U.S. gallons/minute	TC = total cooling capacity, BTUH
HE = total heat of extraction, BTUH	WB = wet bulb temperature (°F)
HC = air heating capacity, BTUH	WPD = waterside pressure drop (psi & ft. of hd.)
HR = total heat of rejection, BTUH	

Conversion Table - to convert inch-pound (English) to SI (Metric)

Air Flow	Water Flow	Ext Static Pressure	Water Pressure Drop
Airflow (L/s) = CFM x 0.472	Water Flow (L/s) = gpm x 0.0631	ESP (Pa) = ESP (in of wg) x 249	PD (kPa) = PD (ft of hd) x 2.99



Selection Procedure

- Step 1 Determine the actual heating and cooling loads at the desired dry bulb and wet bulb conditions.
- Step 2 Obtain the following design parameters: Entering water temperature, water flow rate in GPM, air flow in CFM, water flow pressure drop and design wet and dry bulb temperatures. Air flow CFM should be between 300 and 450 CFM per ton. Unit water pressure drop should be kept as close as possible to each other to make water balancing easier. Go to the appropriate tables and find the proper indicated water flow and water temperature.
- Step 3 Select a unit based on total and sensible cooling conditions. Select a unit which is closest to, but no larger than, the actual cooling load.
- Step 4 Enter tables at the design water flow and water temperature. Read the total and sensible cooling capacities (Note: interpolation is permissible, extrapolation is not).
- Step 5 Read the heating capacity. If it exceeds the design criteria it is acceptable. It is quite normal for Water-Source Heat Pumps to be selected on cooling capacity only since the heating output is usually greater than the cooling capacity.
- Step 6 Determine the correction factors associated with the variable factors of dry bulb and wet bulb.

Corrected Total Cooling =
tabulated total cooling x wet bulb correction.
Corrected Sensible Cooling =
tabulated sensible cooling x wet/dry bulb correction.
- Step 7 Compare the corrected capacities to the load requirements. Normally if the capacities are within 10% of the loads, the equipment is acceptable. It is better to undersize than oversize, as undersizing improves humidity control, reduces sound levels and extends the life of the equipment.
- Step 8 When completed, calculate water temperature rise and assess the selection. If the units selected are not within 10% of the load calculations, then review what effect changing the GPM, water temperature and/or air flow and air temperature would have on the corrected capacities. If the desired capacity cannot be achieved, select the next larger or smaller unit and repeat the procedure. Remember, when in doubt, undersize slightly for best performance.

Example Equipment Selection For Cooling

Step 1 Load Determination:

Assume we have determined that the appropriate cooling load at the desired dry bulb 80°F and wet bulb 64°F conditions is as follows:

Total Cooling 17,500 BTUH
Sensible Cooling 15,500 BTUH
Entering Air Temp ... 80°F Dry Bulb / 64°F Wet Bulb

Step 2 Design Conditions:

Similarly, we have also obtained the following design parameters:

Entering Water Temp 90°F
Water Flow (Based upon 10°F rise in temp.) 5 GPM
Air Flow 590 CFM

Step 3, 4 & 5 HP Selection:

After making our preliminary selection (816020), we enter the tables at design water flow and water temperature and read Total Cooling, Sens. Cooling and Heat of Rej. capacities:

Total Cooling 18,300 BTUH
Sensible Cooling 13,700 BTUH
Heat of Rejection 23,700 BTUH

Step 6 & 7 Entering Air and Airflow Corrections:

Next, we determine our correction factors.

	Table	Ent Air	Air Flow	Corrected
Corrected Total Cooling =	18,300	x 0.940	x 0.986	= 16,961
Corrected Sens Cooling =	13,700	x 1.150	x 0.969	= 15,267
Corrected Heat of Reject =	23,700	x 0.954	x 0.969	= 22,248

Step 8 Water Temperature Rise Calculation & Assessment:

Actual Temperature Rise 8.9°F

When we compare the Corrected Total Cooling and Corrected Sensible Cooling figures with our load requirements stated in Step 1, we discover that our selection is within +/- 10% of our sensible load requirement. Furthermore, we see that our Corrected Total Cooling figure is slightly undersized as recommended, when compared to the actual indicated load.



VHS Series Nomenclature

Cabinet

UNIT SIZE
(TRM) SIZE / R410A

10
15
20
28
30
36

CABINET STYLE

A = STANDARD	.625 Flange "H" PANEL
C = MASTER	
D = SLAVE	
B = STANDARD	1.250 Flange "S" PANEL
E = MASTER	
F = SLAVE	

VOLTAGE

OPTION	Volt/Hz/Phase
G	208-230/60/1
E	265/60/1

REVISION LEVEL
Q = CURRENT R22 UNITS

STANDARD
O = STANDARD
A, B, C etc.... = SPECIAL 1, 2, 3 etc....

SUPPLY AIR OPENING SIZES

A = 10"W x 6"H	G = 14"W x 6"H
B = 10"W x 8"H	H = 14"W x 8"H
C = 10"W x 10"H	M = 16"W x 6"H
D = 12"W x 10"H	P = 16"W x 10"H
E = 12"W x 12"H	Q = 16"W x 12"H
F = 12"W x 6"H	R = 16"W x 14"H

O = NO OPENINGS

TOP DISCHARGE OPENINGS BY UNIT SIZE

UNIT SIZE	OPENING
TRM-09 & 12	10" x 10"
TRM-15 & 18	13" x 13"
TRM-24, 30 & 36	17" x 17"

RETURN & SUPPLY AIR

QUANTITY OF AIR FLOW SUPPLIES	RETURN AIR POSITION	DIGIT 9 & 10	SUPPLY AIR POSITION				QUANTITY OF AIR FLOW SUPPLIES	RETURN AIR POSITION	DIGIT 9 & 10	SUPPLY AIR POSITION			
			FRONT	RIGHT	LEFT	TOP				FRONT	RIGHT	LEFT	TOP
SINGL	FRONT	1A	x	-	-	-	TRIPLE	FRONT	3A	x	x	x	-
	FRONT	1B	-	x	-	-		FRONT	3B	x	x	-	x
	FRONT	1C	-	-	x	-		FRONT	3C	x	-	x	x
	FRONT	1D	-	-	-	x		FRONT	3D	-	x	x	x
	RIGHT	1E	x	-	-	-		RIGHT	3E	x	x	-	-
	RIGHT	1F	-	x	-	-		RIGHT	3F	x	x	-	-
SUPPLY	RIGHT	1G	-	-	x	-	RIGHT	3G	x	-	x	x	
	RIGHT	1H	-	-	-	x	RIGHT	3H	-	x	x	x	
	LEFT	1J	x	-	-	-	LEFT	3J	x	x	-	-	
	LEFT	1K	-	x	-	-	LEFT	3K	x	x	-	x	
	LEFT	1L	-	-	x	-	LEFT	3L	x	-	x	x	
	LEFT	1M	-	-	-	x	LEFT	3M	-	x	x	x	
DOUBLE	FRONT	2A	x	x	-	-	QUAD SUPPLY	FRONT	4A	x	x	x	x
	FRONT	2B	x	-	x	-		FRONT	4B	x	x	x	x
	FRONT	2C	x	-	-	x		FRONT	4C	x	x	x	x
	FRONT	2D	-	x	x	-		FRONT	4D	-	-	-	-
	FRONT	2E	x	x	-	x		FRONT	4E	-	-	-	-
	FRONT	2F	-	-	x	x		FRONT	4F	-	-	-	-
SUPPLY	RIGHT	2G	x	x	-	-	RIGHT	4G	-	-	-	-	
	RIGHT	2H	x	-	x	-	RIGHT	4H	-	-	-	-	
	RIGHT	2J	x	-	-	x	RIGHT	4J	-	-	-	-	
	RIGHT	2K	-	x	x	-	RIGHT	4K	-	-	-	-	
	RIGHT	2L	-	-	x	x	RIGHT	4L	-	-	-	-	
	RIGHT	2M	-	-	-	x	RIGHT	4M	-	-	-	-	
SUPPLY	LEFT	2N	x	x	-	-	LEFT	4N	-	-	-	-	
	LEFT	2P	x	-	x	-	LEFT	4P	-	-	-	-	
	LEFT	2Q	x	-	-	x	LEFT	4Q	-	-	-	-	
	LEFT	2R	-	x	x	-	LEFT	4R	-	-	-	-	
	LEFT	2S	-	-	x	x	LEFT	4S	-	-	-	-	
	LEFT	2T	-	-	-	x	LEFT	4T	-	-	-	-	

CONTROLS

OPTION	CXM	DXM	SURFACE/REMOTE WALL SENSOR	K-MOTOR	MPC/LON	N.O. MWV
C	x	-	W	-	M	-
D	-	x	W	-	M	-
E	-	x	W	-	M	x
F	-	x	W	-	L	x
G	-	x	R	-	-	x
H	-	x	S	-	-	x
L	x	-	W	-	L	-
M	-	x	W	-	L	-
N	x	-	R	-	-	-
P	x	-	S	-	-	-
R	-	x	R	-	-	-
S	-	x	S	-	-	-
1	-	x	R	x	-	-
2	-	x	S	x	-	-
3	-	x	R	x	-	-
4	-	x	S	x	-	-
5	-	x	W	x	M	-
6	-	x	W	x	M	x
7	-	x	W	x	L	-
8	-	x	W	x	L	x
O	NO OPTION					

POWER TERMINATION

OPTION	DISCONNECT SWITCH	BREAKER	NLS	2 SPD FAN SW
A	x	-	-	-
C	-	x	-	-
D	x	-	x	-
E	-	x	x	-
F	-	-	x	-
G	x	-	-	x
H	-	x	-	x
J	-	-	-	x
O	NO OPTIONS			

CABINET HEIGHT

OPTION	10"	18"	24" CABINET STAND	ISO PAD
A	-	x	-	-
B	x	-	-	-
C	-	x	x	-
D	x	-	x	-
E	-	x	-	-
F	x	-	-	x
G	-	x	-	x
H	x	-	x	x

OPTIONS

OPTION	HI STATIC MOTOR	S.S. DRAM PAN	MANUAL AIR VENT	RISER CHASE
A	-	x	-	-
B	x	-	x	-
C	x	x	-	-
D	-	x	x	-
E	x	x	x	-
H	x	-	-	-
M	-	-	x	-
1	-	x	-	x
2	x	-	x	x
3	x	x	-	x
4	-	x	x	x
5	x	x	x	x
6	x	-	-	x
7	-	-	x	x
O	NO OPTIONS			

RETURN & SUPPLY AIR

QUANTITY OF AIR FLOW SUPPLIES	RETURN AIR POSITION	DIGIT 9 & 10	FRONT	RIGHT	LEFT	TOP
SINGL	FRONT	1A	x	-	-	-
	FRONT	1B	-	x	-	-
	FRONT	1C	-	-	x	-
	FRONT	1D	-	-	-	x
	RIGHT	1E	x	-	-	-
	RIGHT	1F	-	x	-	-
SUPPLY	RIGHT	1G	-	-	x	-
	RIGHT	1H	-	-	-	x
	LEFT	1J	x	-	-	-
	LEFT	1K	-	x	-	-
	LEFT	1L	-	-	x	-
	LEFT	1M	-	-	-	x
DOUBLE	FRONT	2A	x	x	-	-
	FRONT	2B	x	-	x	-
	FRONT	2C	x	-	-	x
	FRONT	2D	-	x	x	-
	FRONT	2E	x	x	-	x
	FRONT	2F	-	-	x	x
SUPPLY	RIGHT	2G	x	x	-	-
	RIGHT	2H	x	-	x	-
	RIGHT	2J	x	-	-	x
	RIGHT	2K	-	x	x	-
	RIGHT	2L	-	-	x	x
	RIGHT	2M	-	-	-	x
SUPPLY	LEFT	2N	x	x	-	-
	LEFT	2P	x	-	x	-
	LEFT	2Q	x	-	-	x
	LEFT	2R	-	x	x	-
	LEFT	2S	-	-	x	x
	LEFT	2T	-	-	-	x

QUANTITY OF AIR FLOW SUPPLIES

QUANTITY OF AIR FLOW SUPPLIES	RETURN AIR POSITION	DIGIT 9 & 10	FRONT	RIGHT	LEFT	TOP
QUAD SUPPLY	FRONT	4A	x	x	x	x
	FRONT	4B	x	x	x	x
	FRONT	4C	x	x	x	x
	FRONT	4D	-	-	-	-
NO SUPPLY (Zero)	FRONT	0A	-	-	-	-
	FRONT	0B	-	-	-	-
NO SUPPLY (Zero)	FRONT	0C	-	-	-	-
	FRONT	0D	-	-	-	-

BACK

○ ○ ○

S U P P L Y

R E T U R N

FRONT

VHS Series 60Hz - R22 Submittal Data Eng/I-P



VHS Series Nomenclature

Chassis

	1	2	3	4	5	6	7	8	9	10	11	12	13
	8	1	6	1	0	G	S	P	S	S	C	O	Q

Model Type
816 Chassis

Unit Size
10, 15, 20, 28, 30, 36

Voltage
E = 265/60/1
G = 208-230/60/1

OPTION	S.S. Drain Pan	Insulated Tubing	AST008 RAS	AST009 RAS
A	X	-	-	-
B	-	X	-	-
C	-	-	-	X
D	X	X	-	-
E	X	-	-	X
F	-	X	-	X
G	X	X	-	X
H	-	-	X	-
J	X	-	X	-
K	-	X	X	-
L	X	X	X	-
S	-	-	-	-

Controls
P = Standard (24V N.C. Safeties) for use with CXM or DXM

Revision Level
Q = Current Revision Size 20 - 36
S = Current Revision Size 10 & 15

Standard
O = Standard

Heat Exchanger Options
C = Copper Coax w/Coated Air Coil
N = Cupro-Nickel Coax w/Coated Air Coil
L = Copper Coax w/Non-Coated Air Coil
M = Cupro-Nickel Coax w/Non-Coated Air Coil
H = Copper, RV Energized in Heating w/Coated Air Coil (Replacement Only)
J = Cupro-Nickel, RV Energized in Heating w/Coated Air Coil (Replacement Only)

Water Valve & Pump Option
S = No Water valve
M = Normally Closed Water Valve
N = Normally Open Water Valve
P = Secondary Circulating Pump

Automatic Flow Regulator (US gpm)

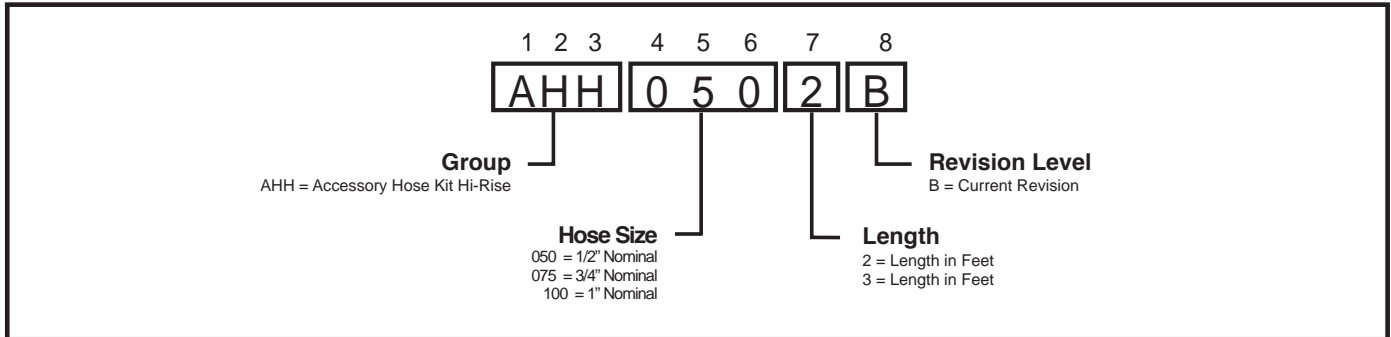
	5/8SWEAT			7/8 SWEAT		
	UNIT 10	UNIT 15	UNIT 20	UNIT 28	UNIT 30	UNIT 36
C	1.5					
D	2.0	2.0				
E	2.5	2.5	2.5			
F	3.0	3.0	3.0			
G		3.5	3.5			
H		4.0	4.0	4.0		
J		5.0	5.0	5.0	5.0	
K			6.0	6.0	6.0	6.0
L				7.0	7.0	7.0
M				8.0	8.0	8.0
N				9.0	9.0	9.0
P					10.0	10.0
S	NO FLOW REGULATOR					

Rev.: 06 Nov, 2008B

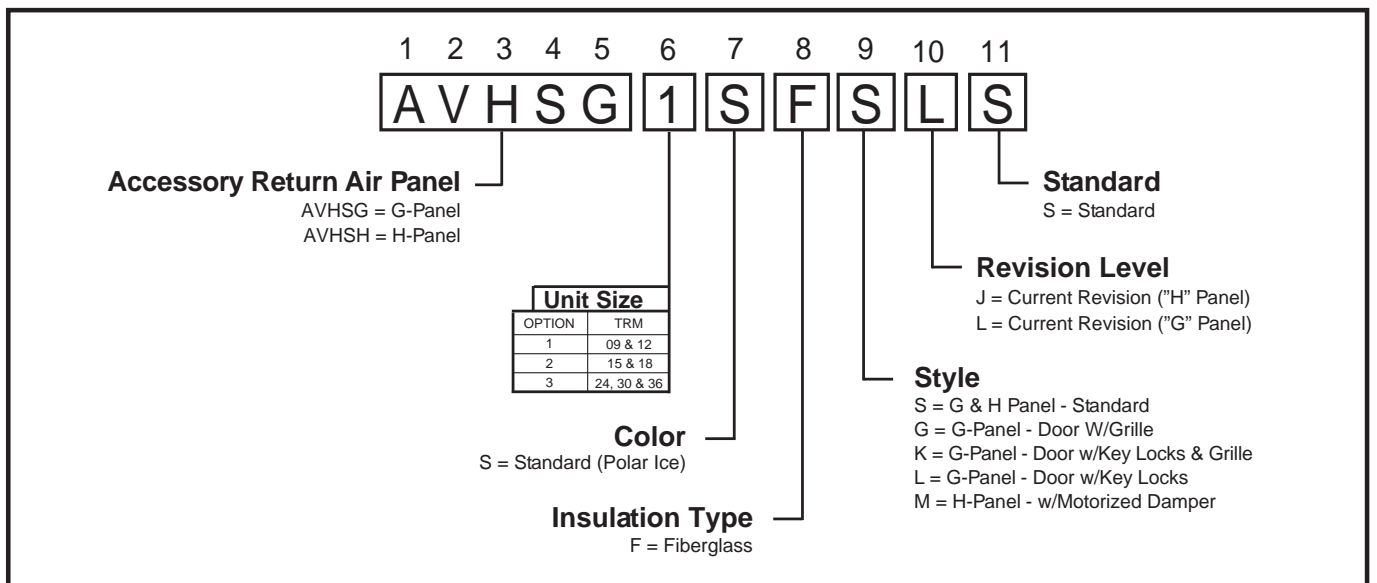


VHS Series Nomenclature

Hose Kit

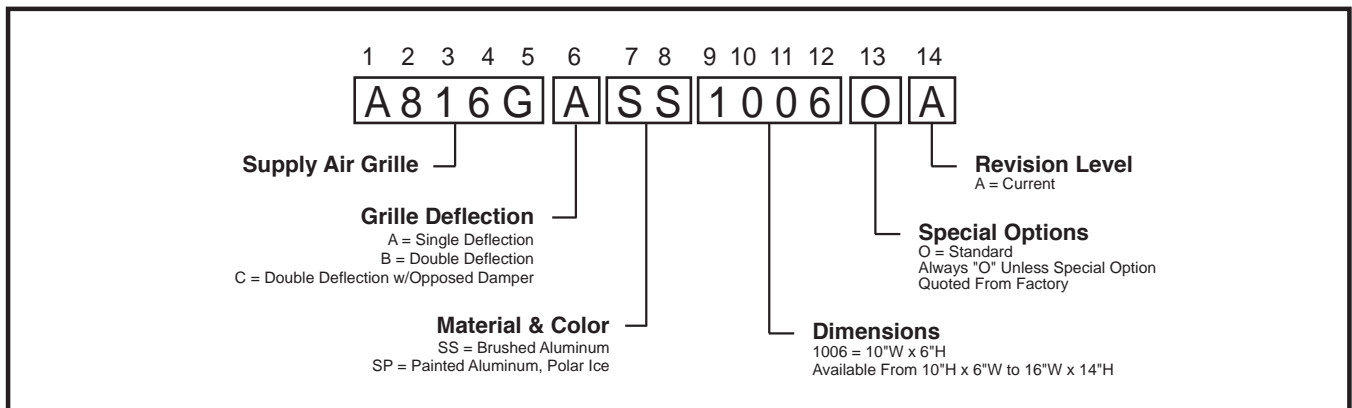


Return Air Panel



Rev.: 10/23/06D

Supply Air Grille



Rev.: 10/04/05D

VHS Series 60Hz - R22 Submittal Data Eng/IP



Performance Data ARI/ASHRAE/ISO 13256-1

ASHRAE/ARI/ISO 13256-1. English (IP) Units

Model	Water Loop Heat Pump				Ground Water Heat Pump				Ground Loop Heat Pump			
	Cooling 86°F		Heating 68°F		Cooling 59°F		Heating 50°F		Cooling 77°F		Heating 32°F	
	Capacity Btuh	EER Btuh/W	Capacity Btuh	COP	Capacity Btuh	EER Btuh/W	Capacity Btuh	COP	Capacity Btuh	EER Btuh/W	Capacity Btuh	COP
816-10	8,500	11.6	11,500	4.2	Please see the TRM Series for extended range applications.				Please see the TRM Series for extended range applications.			
816-15	12,000	12.3	14,700	4.2								
816-20	18,500	12.0	23,600	4.2								
816-28	25,200	12.0	32,000	4.2								
816-30	28,100	12.5	36,000	4.2								
816-36	32,600	12.5	42,500	4.2								

Cooling capacities based upon 80.6°F DB, 66.2°F WB entering air temperature
 Heating capacities based upon 68°F DB, 59°F WB entering air temperature
 All air flow is rated on high speed
 All ratings based upon operation at lower voltage of dual voltage rated models

ASHRAE/ARI/ISO 13256-1. Metric (SI) Units

Model	Water Loop Heat Pump				Ground Water Heat Pump				Ground Loop Heat Pump			
	Cooling 30°C		Heating 20°C		Cooling 15°C		Heating 10°C		Cooling 25°C		Heating 0°C	
	Capacity Watts	EER W/W	Capacity Watts	COP	Capacity Watts	EER W/W	Capacity Watts	COP	Capacity Watts	EER W/W	Capacity Watts	COP
816-10	2,491	3.4	3,370	4.2	Please see the TRM Series for extended range applications.				Please see the TRM Series for extended range applications.			
816-15	3,516	3.6	4,307	4.2								
816-20	5,421	3.5	6,915	4.2								
816-28	7,384	3.5	9,376	4.2								
816-30	8,233	3.7	10,518	4.2								
816-36	9,552	3.7	12,452	4.2								

Cooling capacities based upon 27°C DB, 19°C WB entering air temperature
 Heating capacities based upon 20°C DB, 15°C WB entering air temperature
 All air flow is rated on high speed
 All ratings based upon operation at lower voltage of dual voltage rated models



Performance Data Selection Notes

For operation in the shaded area when water is used in lieu of an anti-freeze solution, the LWT (Leaving Water Temperature) must be calculated. Flow must be maintained to a level such that the LWT is maintained above 42°F [5.6°C] when the JW3 jumper is not clipped (see example below). This is due to the potential of the refrigerant temperature being as low as 32°F [0°C] with 40°F [4.4°C] LWT, which may lead to a nuisance cutout due to the activation of the Low Temperature Protection. JW3 should never be clipped for standard range equipment or systems without antifreeze.

Example:

At 50°F EWT (Entering Water Temperature) and 1.5 gpm/ton, a 3 ton unit has a HE of 22,500 Btuh. To calculate LWT, rearrange the formula for HE as follows:

HE = TD x GPM x 500, where HE = Heat of Extraction (Btuh); TD = temperature difference (EWT - LWT) and GPM = U.S. Gallons per Minute.

$$TD = HE / (GPM \times 500)$$

$$TD = 22,500 / (4.5 \times 500)$$

$$TD = 10^\circ\text{F}$$

$$\text{LWT} = \text{EWT} - \text{TD}$$

$$\text{LWT} = 50 - 10 = 40^\circ\text{F}$$

In this example, a higher flow rate will be required for EWTs at or below 50°F without antifreeze. At 2 gpm/ton, the calculation above results in a TD of 7.5. LWT = 50 - 7.5 = 42.5°F, which is above 42°F EWT, and is acceptable for this application.

		Heating - EAT 70°F				
	EER	HC	kW	HE	LAT	COP
1.7	23.1	Operation Not Recommended				
2.9	25.3					
13.1	26.7					
13.2	27.5	8.6	0.72	6.1	94.8	3.48
12.2	19.7	9.1	0.74	6.5	96.2	3.60
2.5	21.7	9.4	0.75	6.9	97.3	3.69
6	22.9	9.7	0.76	7.1	97.9	3.74
	23.7	9.8	0.76	7.2	98.4	3.77
6.6		10.2	0.77	7.5	99.4	3.86
		10.6	0.78	7.9	100.6	3.95
			0.79	8.1	101.4	

VHS Series 60Hz - R22 Submittal Data Eng/I-P



Performance Data 816-10

320 CFM Nominal (Rated) Airflow

Performance capacities shown in thousands of Btu/h

WPD Adder for Motorized Valve, 816-10 (Cv = 4.9, MOPD = 150 psi)			EWT °F	GPM	WPD		Cooling - EAT 80/67°F					Heating - EAT 70°F										
					PSI	FT	TC	SC	Sens/ Tot Ratio	kW	HR	EER	HC	kW	HE	LAT	COP					
GPM	WPD Adder		40	1.2	0.7	1.7	11.0	7.0	0.64	0.48	12.7	23.1	Operation Not Recommended									
	PSI	FT		1.7	1.1	2.5	11.4	7.2	0.63	0.45	12.9	25.3										
1.2	0.06	0.14		2.2	2.0	4.7	11.6	7.3	0.63	0.44	13.1	26.7						8.6	0.72	6.1	94.8	3.48
1.7	0.17	0.40		2.7	2.9	6.6	11.7	7.3	0.63	0.43	13.2	27.5						9.1	0.74	6.5	96.2	3.60
2.2	0.38	0.87	50	1.2	0.7	1.7	10.4	6.7	0.65	0.53	12.2	19.7	9.4	0.75	6.9	97.3	3.69					
2.7	0.60	1.38		1.7	1.1	2.5	10.8	6.9	0.64	0.50	12.5	21.7	9.7	0.76	7.1	97.9	3.74					
1.2	0.7	1.6		2.2	2.0	4.6	11.0	7.0	0.64	0.48	12.6	22.9	9.8	0.76	7.2	98.4	3.77					
1.7	1.0	2.4		2.7	2.8	6.5	11.1	7.1	0.63	0.47	12.7	23.7	10.2	0.77	7.5	99.4	3.86					
60	1.2	0.7	1.6	9.8	6.5	0.66	0.59	11.8	16.6	10.6	0.78	7.9	100.6	3.95								
	1.7	1.0	2.4	10.2	6.6	0.65	0.55	12.1	18.4	10.8	0.79	8.1	101.4	4.01								
	2.2	1.9	4.5	10.4	6.7	0.65	0.54	12.2	19.4	11.0	0.80	8.3	101.8	4.05								
	2.7	2.8	6.4	10.5	6.8	0.64	0.52	12.3	20.1	11.2	0.80	8.5	102.5	4.10								
70	1.2	0.7	1.6	9.2	6.2	0.67	0.66	11.5	13.9	11.7	0.82	8.9	103.9	4.20								
	1.7	1.0	2.3	9.6	6.3	0.66	0.62	11.7	15.4	12.0	0.82	9.2	104.7	4.26								
	2.2	1.9	4.4	9.8	6.4	0.66	0.60	11.8	16.3	12.2	0.83	9.3	105.2	4.30								
	2.7	2.7	6.3	9.9	6.5	0.66	0.59	11.9	16.9	12.3	0.83	9.5	105.6	4.33								
80	1.2	0.6	1.5	8.6	5.9	0.69	0.74	11.1	11.7	12.8	0.84	9.9	107.0	4.44								
	1.7	1.0	2.3	8.9	6.0	0.68	0.70	11.3	13.0	13.1	0.85	10.2	107.9	4.50								
	2.2	1.9	4.3	9.1	6.1	0.67	0.67	11.4	13.7	13.3	0.86	10.4	108.4	4.54								
	2.7	2.6	6.1	9.2	6.2	0.67	0.66	11.5	14.2	12.8	0.85	9.9	107.1	4.44								
85	1.2	0.6	1.5	8.3	5.7	0.69	0.79	11.0	10.5	13.3	0.86	10.4	108.5	4.55								
	1.7	1.0	2.2	8.6	5.9	0.68	0.74	11.1	11.6	13.9	0.87	10.9	110.1	4.67								
	2.2	1.8	4.2	8.8	6.0	0.68	0.71	11.2	12.3	14.2	0.88	11.2	111.0	4.73								
	2.7	2.6	6.0	8.9	6.0	0.68	0.70	11.3	12.8	14.4	0.88	11.4	111.6	4.78								
90	1.2	0.6	1.4	7.9	5.6	0.70	0.83	10.8	9.5	13.3	0.86	10.4	108.5	4.55								
	1.7	1.0	2.2	8.3	5.7	0.69	0.78	11.0	10.6	13.9	0.87	10.9	110.1	4.67								
	2.2	1.8	4.1	8.5	5.8	0.69	0.76	11.1	11.2	14.2	0.88	11.2	111.0	4.73								
	2.7	2.5	5.8	8.6	5.9	0.68	0.74	11.1	11.6	14.4	0.88	11.4	111.6	4.78								
100	1.2	0.6	1.3	7.3	5.2	0.72	0.93	10.5	7.8	Operation Not Recommended												
	1.7	0.9	2.1	7.6	5.4	0.71	0.88	10.6	8.7													
	2.2	1.7	4.0	7.8	5.5	0.70	0.85	10.7	9.2													
	2.7	2.4	5.6	7.9	5.6	0.70	0.83	10.8	9.5													
110	2.2	1.6	3.8	7.2	5.2	0.72	0.96	10.4	7.5	Operation Not Recommended												
	2.7	2.3	5.4	7.3	5.2	0.72	0.94	10.5	7.8													

Interpolation is permissible; extrapolation is not.
 All entering air conditions are 80°F DB and 67°F WB in cooling, and 70°F DB in heating.
 ARI/ISO certified conditions are 80.6°F DB and 66.2°F WB in cooling and 68°F DB in heating.
 Table does not reflect fan or pump power corrections for ARI/ISO conditions.
 All performance is based upon the lower voltage of dual voltage rated units.
 * Pressure drop with valve = PSI + (GPM/3.5)² (Valve has a CV of 3.5 & MOPD of 30psi)
 Operation below 60°F EWT requires optional insulated water/refrigerant circuit.
 See performance correction tables for operating conditions other than those listed above.
 See Performance Data Selection Notes for operation in the shaded areas.

VHS Series 60Hz - R22 Submittal Data Eng/I-P



Performance Data 816-15

410 CFM Nominal (Rated) Airflow

Performance capacities shown in thousands of Btu/h

WPD Adder for Motorized Valve, 816-15 (Cv = 4.9, MOPD = 150 psi)			EWT °F	GPM	WPD		Cooling - EAT 80/67°F					Heating - EAT 70°F						
					PSI	FT	TC	SC	Sens/ Tot Ratio	kW	HR	EER	HC	kW	HE	LAT	COP	
GPM	WPD Adder		40	1.6	1.0	2.4	14.8	10.0	0.67	0.61	16.9	24.4	Operation Not Recommended					
	PSI	FT		2.5	2.5	5.7	15.4	10.2	0.66	0.56	17.3	27.6						
1.6				0.11	0.25	3.3	4.2	9.7	15.6	10.3	0.66	0.54						17.5
2.5	0.37	0.86		4.1	6.7	15.4	15.8	10.3	0.65	0.52	17.6	30.1						10.8
3.3	0.85	1.95		50	1.6	1.0	2.4	14.1	9.6	0.69	0.68	16.4	20.7	11.5	0.92	8.3	96.0	3.65
4.1	1.61	3.72			2.5	2.4	5.6	14.6	9.9	0.68	0.62	16.8	23.4	12.1	0.94	8.9	97.4	3.79
3.3	4.2	9.6			14.9	10.0	0.67	0.60	16.9	24.7	12.4	0.95	9.2	98.1	3.85			
4.1	6.6	15.2			15.0	10.0	0.67	0.59	17.0	25.6	12.6	0.95	9.4	98.5	3.89			
60	1.6	1.0		2.3	13.3	9.3	0.70	0.76	15.9	17.5	13.1	0.96	9.8	99.5	3.98			
	2.5	2.4		5.5	13.9	9.6	0.69	0.70	16.3	19.8	13.8	0.98	10.5	101.2	4.12			
	3.3	4.1	9.5	14.1	9.7	0.69	0.68	16.4	20.9	14.1	0.99	10.8	101.9	4.19				
	4.1	6.5	15.0	14.3	9.7	0.68	0.66	16.5	21.6	14.3	0.99	10.9	102.4	4.23				
70	1.6	1.0	2.3	12.6	8.9	0.71	0.86	15.5	14.7	14.6	1.00	11.2	102.9	4.27				
	2.5	2.3	5.4	13.1	9.2	0.70	0.79	15.8	16.6	15.3	1.02	11.9	104.7	4.41				
	3.3	4.1	9.4	13.3	9.3	0.70	0.76	15.9	17.5	15.7	1.03	12.2	105.4	4.47				
	4.1	6.4	14.8	13.5	9.4	0.70	0.74	16.0	18.1	15.9	1.03	12.4	105.9	4.51				
80	1.6	1.0	2.2	11.8	8.5	0.72	0.96	15.1	12.5	16.0	1.04	12.5	106.1	4.52				
	2.5	2.3	5.4	12.4	8.8	0.71	0.89	15.4	14.1	16.8	1.06	13.2	107.9	4.66				
	3.3	4.0	9.3	12.6	8.9	0.71	0.86	15.5	14.9	17.1	1.07	13.5	108.7	4.72				
	4.1	6.3	14.6	12.7	9.0	0.71	0.84	15.6	15.4	17.4	1.07	13.7	109.2	4.75				
85	1.6	1.0	2.2	11.5	8.3	0.73	1.01	14.9	11.3	16.7	1.05	13.1	107.6	4.64				
	2.5	2.3	5.3	12.0	8.6	0.72	0.94	15.2	12.8	17.5	1.07	13.8	109.4	4.77				
	3.3	4.0	9.2	12.2	8.7	0.72	0.91	15.3	13.4	17.8	1.08	14.1	110.3	4.83				
	4.1	6.2	14.4	12.3	8.8	0.71	0.89	15.4	13.9	18.1	1.09	14.3	110.8	4.86				
90	1.6	0.9	2.1	11.1	8.1	0.73	1.07	14.7	10.4	17.3	1.07	13.7	109.1	4.74				
	2.5	2.3	5.3	11.6	8.4	0.72	0.99	15.0	11.7	18.1	1.09	14.4	110.9	4.87				
	3.3	3.9	9.1	11.8	8.5	0.72	0.96	15.1	12.3	18.5	1.10	14.7	111.7	4.93				
	4.1	6.1	14.2	12.0	8.6	0.72	0.94	15.2	12.7	18.7	1.10	14.9	112.2	4.96				
100	1.6	0.9	2.1	10.3	7.6	0.74	1.19	14.4	8.7	Operation Not Recommended								
	2.5	2.3	5.2	10.8	7.9	0.73	1.11	14.6	9.7									
	3.3	3.9	9.0	11.0	8.1	0.73	1.08	14.7	10.3									
	4.1	6.1	14.0	11.2	8.2	0.73	1.06	14.8	10.6									
110	3.3	3.9	8.9	10.3	7.6	0.74	1.20	14.4	8.5	Operation Not Recommended								
	4.1	6.0	13.8	10.4	7.7	0.74	1.18	14.4	8.8									

Interpolation is permissible; extrapolation is not.
 All entering air conditions are 80°F DB and 67°F WB in cooling, and 70°F DB in heating.
 ARI/ISO certified conditions are 80.6°F DB and 66.2°F WB in cooling and 68°F DB in heating.
 Table does not reflect fan or pump power corrections for ARI/ISO conditions.
 All performance is based upon the lower voltage of dual voltage rated units.
 * Pressure drop with valve = PSI + (GPM/3.5)² (Valve has a CV of 3.5 & MOPD of 30psi)
 Operation below 60°F EWT requires optional insulated water/refrigerant circuit.
 See performance correction tables for operating conditions other than those listed above.
 See Performance Data Selection Notes for operation in the shaded areas.

ClimateMaster works continually to improve its products. As a result, the design and specifications of each product at the time of order may be changed without notice and may not be as described herein. Please contact ClimateMaster's Customer Service Department at 1-405-745-6000 for specific information on the current design and specifications. Statements and other information contained herein are not express warranties and do not form the basis of any bargain between the parties, but are merely ClimateMaster's opinion or commendation of its products. The latest version of this document is available at climatemaster.com.

VHS Series 60Hz - R22 Submittal Data Eng/I-P



Performance Data 816-20

680 CFM Nominal (Rated) Airflow

Performance capacities shown in thousands of Btu/h

WPD Adder for Motorized Valve, 816-20 (Cv = 4.9, MOPD = 150 psi)			EWT °F	GPM	WPD		Cooling - EAT 80/67°F					Heating - EAT 70°F					
					PSI	FT	TC	SC	Sens/Tot Ratio	kW	HR	EER	HC	kW	HE	LAT	COP
GPM	WPD Adder		40	2.2	1.5	3.5	23.1	15.8	0.69	1.16	27.0	19.9	Operation Not Recommended				
	PSI	FT		3.6	3.2	7.5	24.2	16.1	0.67	1.04	27.7	23.3					
2.2	0.20	0.47		5.0	5.6	12.9	24.6	16.2	0.66	0.98	28.0	25.1					
3.6	0.77	1.79		6.4	8.6	19.8	24.9	16.2	0.65	0.95	28.2	26.2					
5.0	1.94	4.49	50	2.2	1.5	3.5	21.9	15.4	0.70	1.27	26.3	17.2	17.1	1.40	12.3	93.2	3.58
3.6	0.77	1.79		3.6	3.2	7.4	23.0	15.8	0.69	1.16	27.0	19.8	18.5	1.45	13.5	95.1	3.74
5.0	1.94	4.49		5.0	5.5	12.8	23.5	16.0	0.68	1.11	27.3	21.2	19.1	1.47	14.1	96.1	3.81
6.4	3.92	9.06		6.4	8.5	19.6	23.8	16.0	0.67	1.08	27.5	22.0	19.5	1.49	14.5	96.6	3.85
60	2.2	1.5	3.4	20.7	14.9	0.72	1.39	25.4	14.9	19.9	1.50	14.8	97.1	3.89			
	3.6	3.2	7.4	21.8	15.4	0.71	1.28	26.2	17.0	21.4	1.55	16.1	99.1	4.04			
	5.0	5.5	12.7	22.3	15.6	0.70	1.23	26.5	18.1	22.0	1.57	16.7	100.0	4.11			
	6.4	8.4	19.4	22.6	15.7	0.69	1.21	26.7	18.8	22.4	1.59	17.0	100.5	4.15			
70	2.2	1.5	3.4	19.4	14.3	0.74	1.49	24.5	13.0	22.4	1.58	17.0	100.5	4.14			
	3.6	3.2	7.3	20.5	14.9	0.72	1.40	25.3	14.7	23.8	1.63	18.2	102.4	4.28			
	5.0	5.5	12.6	21.1	15.1	0.72	1.35	25.7	15.6	24.4	1.65	18.8	103.2	4.34			
	6.4	8.3	19.2	21.4	15.2	0.71	1.33	25.9	16.1	24.7	1.66	19.1	103.7	4.37			
80	2.2	1.4	3.3	18.0	13.5	0.75	1.59	23.5	11.4	24.5	1.65	18.8	103.3	4.34			
	3.6	3.1	7.2	19.2	14.2	0.74	1.51	24.3	12.9	25.7	1.69	19.9	105.0	4.46			
	5.0	5.4	12.5	19.7	14.5	0.73	1.46	24.7	13.6	26.2	1.70	20.4	105.6	4.51			
	6.4	8.2	19.0	20.0	14.6	0.73	1.44	24.9	14.1	26.4	1.71	20.6	106.0	4.54			
85	2.2	1.4	3.3	17.3	13.1	0.76	1.64	22.9	10.6	25.4	1.68	19.6	104.5	4.43			
	3.6	3.1	7.2	18.5	13.8	0.75	1.56	23.8	11.9	26.4	1.71	20.6	106.0	4.54			
	5.0	5.4	12.4	19.0	14.1	0.74	1.52	24.2	12.5	26.8	1.71	21.0	106.5	4.59			
	6.4	8.1	18.8	19.3	14.3	0.74	1.50	24.4	12.9	27.0	1.72	21.2	106.8	4.61			
90	2.2	1.4	3.2	16.6	12.7	0.76	1.69	22.4	9.8	26.1	1.70	20.3	105.6	4.51			
	3.6	3.1	7.1	17.8	13.4	0.75	1.61	23.3	11.0	27.0	1.72	21.2	106.8	4.61			
	5.0	5.3	12.3	18.3	13.7	0.75	1.57	23.7	11.7	27.3	1.72	21.4	107.2	4.65			
	6.4	8.1	18.6	18.6	13.9	0.74	1.55	23.9	12.0	27.5	1.72	21.6	107.4	4.67			
100	2.2	1.4	3.2	15.1	11.7	0.77	1.78	21.2	8.5	Operation Not Recommended							
	3.6	3.1	7.1	16.3	12.5	0.76	1.71	22.1	9.5								
	5.0	5.3	12.2	16.8	12.8	0.76	1.67	22.5	10.1								
	6.4	7.9	18.3	17.1	13.0	0.76	1.65	22.8	10.4								
110	5.0	5.2	12.1	15.3	11.8	0.77	1.77	21.3	8.6	Operation Not Recommended							
	6.4	7.8	18.1	15.6	12.0	0.77	1.75	21.6	8.9								

Interpolation is permissible; extrapolation is not.
 All entering air conditions are 80°F DB and 67°F WB in cooling, and 70°F DB in heating.
 ARI/ISO certified conditions are 80.6°F DB and 66.2°F WB in cooling and 68°F DB in heating.
 Table does not reflect fan or pump power corrections for ARI/ISO conditions.
 All performance is based upon the lower voltage of dual voltage rated units.
 * Pressure drop with valve = PSI + (GPM/3.5)² (Valve has a CV of 3.5 & MOPD of 30psi)
 Operation below 60°F EWT requires optional insulated water/refrigerant circuit.
 See performance correction tables for operating conditions other than those listed above.
 See Performance Data Selection Notes for operation in the shaded areas.

ClimateMaster works continually to improve its products. As a result, the design and specifications of each product at the time of order may be changed without notice and may not be as described herein. Please contact ClimateMaster's Customer Service Department at 1-405-745-6000 for specific information on the current design and specifications. Statements and other information contained herein are not express warranties and do not form the basis of any bargain between the parties, but are merely ClimateMaster's opinion or commendation of its products. The latest version of this document is available at climatemaster.com.

VHS Series 60Hz - R22 Submittal Data Eng/I-P



Performance Data 816-28

940 CFM Nominal (Rated) Airflow

Performance capacities shown in thousands of Btu/h

WPD Adder for Motorized Valve, 816-28 (Cv = 10.3, MOPD = 150 psi)			EWT °F	GPM	WPD		Cooling - EAT 80/67°F					Heating - EAT 70°F							
					PSI	FT	TC	SC	Sens/ Tot Ratio	kW	HR	EER	HC	kW	HE	LAT	COP		
GPM	WPD Adder		40	3.3	1.6	3.6	31.3	20.0	0.64	1.50	36.4	20.8	Operation Not Recommended						
	PSI	FT		5.1	3.5	8.0	32.3	20.3	0.63	1.36	36.9	23.7							
6.5				6.3	14.5	32.7	20.3	0.62	1.30	37.1	25.1	21.6						1.84	15.3
3.3	0.32	0.75		8.7	9.3	21.5	33.0	20.4	0.62	1.25	37.3	26.5						23.3	1.90
5.1	0.88	2.04		50	3.3	1.6	3.6	29.9	19.5	0.65	1.67	35.6	17.9	24.8	1.95	18.1	94.4	3.73	
6.5	1.61	3.71			5.1	3.5	8.0	31.0	19.9	0.64	1.54	36.2	20.1	25.4	1.97	18.7	95.0	3.79	
8.7	3.18	7.36			6.5	6.2	14.3	31.4	20.0	0.64	1.49	36.5	21.1	26.0	1.99	19.3	95.7	3.84	
80	8.7	7.36		60	3.3	1.6	3.6	28.3	18.9	0.67	1.83	34.5	15.4	27.1	2.02	20.1	96.6	3.92	
					5.1	3.4	7.9	29.5	19.4	0.66	1.71	35.3	17.2	28.7	2.08	21.6	98.3	4.05	
					6.5	6.1	14.1	30.0	19.5	0.65	1.66	35.6	18.0	29.4	2.10	22.2	98.9	4.10	
			8.7		9.0	20.7	30.4	19.7	0.65	1.61	35.9	18.8	30.0	2.12	22.8	99.6	4.14		
70	8.7	7.36	70	3.3	1.6	3.6	26.6	18.1	0.68	1.99	33.4	13.4	30.5	2.14	23.2	100.0	4.18		
				5.1	3.4	7.8	27.9	18.7	0.67	1.87	34.3	14.9	32.2	2.19	24.7	101.7	4.30		
				6.5	6.0	13.9	28.4	18.9	0.67	1.83	34.6	15.5	32.8	2.22	25.3	102.3	4.34		
				8.7	8.8	20.4	28.8	19.1	0.66	1.78	34.9	16.2	33.5	2.24	25.8	103.0	4.39		
85	8.7	7.36	80	3.3	1.5	3.5	24.8	17.2	0.69	2.13	32.0	11.7	33.6	2.24	25.9	103.0	4.39		
				5.1	3.3	7.7	26.1	17.8	0.68	2.03	33.0	13.0	35.2	2.29	27.3	104.6	4.50		
				6.5	5.9	13.7	26.6	18.1	0.68	1.99	33.4	13.5	35.8	2.31	27.9	105.3	4.54		
				8.7	8.7	20.0	27.1	18.3	0.68	1.94	33.7	14.1	36.4	2.33	28.4	105.8	4.57		
90	8.7	7.36	85	3.3	1.5	3.5	23.8	16.7	0.70	2.20	31.3	10.8	34.9	2.28	27.1	104.4	4.48		
				5.1	3.3	7.6	25.1	17.4	0.69	2.10	32.3	11.9	36.5	2.33	28.5	105.9	4.58		
				6.5	5.8	13.5	25.7	17.6	0.69	2.06	32.7	12.4	37.1	2.35	29.1	106.5	4.62		
				8.7	8.5	19.7	26.1	17.9	0.68	2.02	33.0	12.9	37.6	2.37	29.6	107.1	4.65		
100	8.7	7.36	90	3.3	1.5	3.4	22.8	16.1	0.71	2.27	30.5	10.1	36.2	2.33	28.3	105.7	4.56		
				5.1	3.3	7.6	24.1	16.9	0.70	2.18	31.6	11.1	37.7	2.37	29.6	107.1	4.66		
				6.5	5.8	13.3	24.7	17.1	0.69	2.14	32.0	11.5	38.3	2.39	30.1	107.7	4.69		
				8.7	8.4	19.4	25.2	17.4	0.69	2.10	32.3	12.0	38.8	2.41	30.5	108.2	4.72		
110	8.7	7.36	100	3.3	1.5	3.4	20.7	14.9	0.72	2.40	28.9	8.6	Operation Not Recommended						
				5.1	3.2	7.5	22.1	15.7	0.71	2.32	30.0	9.5							
				6.5	5.7	13.1	22.6	16.0	0.71	2.28	30.4	9.9							
				8.7	8.3	19.1	23.1	16.3	0.70	2.25	30.8	10.3							
110	8.7	7.36	110	6.5	5.6	12.9	20.4	14.7	0.72	2.42	28.6	8.4	Operation Not Recommended						
				8.7	8.1	18.7	20.9	15.0	0.72	2.39	29.1	8.8							

Interpolation is permissible; extrapolation is not.
 All entering air conditions are 80°F DB and 67°F WB in cooling, and 70°F DB in heating.
 ARI/ISO certified conditions are 80.6°F DB and 66.2°F WB in cooling and 68°F DB in heating.
 Table does not reflect fan or pump power corrections for ARI/ISO conditions.
 All performance is based upon the lower voltage of dual voltage rated units.
 * Pressure drop with valve = PSI + (GPM/3.5)² (Valve has a CV of 3.5 & MOPD of 30psi)
 Operation below 60°F EWT requires optional insulated water/refrigerant circuit.
 See performance correction tables for operating conditions other than those listed above.
 See Performance Data Selection Notes for operation in the shaded areas.

VHS Series 60Hz - R22 Submittal Data Eng/I-P



Performance Data 816-30

1000 CFM Nominal (Rated) Airflow

Performance capacities shown in thousands of Btu/h

WPD Adder for Motorized Valve, 816-30 (Cv = 10.3, MOPD = 150 psi)			EWT °F	GPM	WPD		Cooling - EAT 80/67°F					Heating - EAT 70°F					
					PSI	FT	TC	SC	Sens/Tot Ratio	kW	HR	EER	HC	kW	HE	LAT	COP
GPM	WPD Adder		40	3.6	1.7	4.0	34.3	20.7	0.60	1.81	40.5	18.9	Operation Not Recommended				
	PSI			5.6	3.8	8.7	35.1	21.0	0.60	1.69	40.8	20.8					
	FT			7.5	6.6	15.2	35.3	21.1	0.60	1.62	40.8	21.7					
	3.6	0.39		0.89	9.6	10.0	23.2	35.4	21.1	0.60	1.58	40.8					
5.6	1.06	2.46	50	3.6	1.7	3.9	32.9	20.0	0.61	1.94	39.6	16.9	26.2	2.14	18.9	94.3	3.59
7.5	2.14	4.94		5.6	3.7	8.6	34.0	20.5	0.60	1.84	40.3	18.5	28.1	2.20	20.6	96.0	3.75
9.6	3.88	8.96		7.5	6.5	15.0	34.5	20.7	0.60	1.79	40.6	19.3	29.1	2.23	21.5	96.9	3.82
				9.6	9.9	22.9	34.7	20.9	0.60	1.75	40.7	19.8	29.7	2.25	22.0	97.5	3.86
			60	3.6	1.7	3.9	31.3	19.3	0.62	2.06	38.3	15.2	30.7	2.29	22.9	98.4	3.93
				5.6	3.7	8.5	32.6	19.9	0.61	1.97	39.3	16.5	32.6	2.35	24.5	100.2	4.06
				7.5	6.4	14.8	33.1	20.1	0.61	1.93	39.7	17.2	33.4	2.39	25.3	101.0	4.11
				9.6	9.8	22.6	33.5	20.3	0.61	1.90	39.9	17.7	34.0	2.41	25.8	101.5	4.14
			70	3.6	1.6	3.8	29.5	18.5	0.63	2.19	37.0	13.5	34.4	2.42	26.1	101.8	4.16
				5.6	3.6	8.4	30.9	19.1	0.62	2.09	38.0	14.7	36.1	2.48	27.6	103.4	4.26
				7.5	6.3	14.6	31.5	19.4	0.62	2.05	38.5	15.3	36.8	2.51	28.3	104.1	4.30
				9.6	9.7	22.3	31.9	19.6	0.61	2.02	38.8	15.8	37.3	2.53	28.7	104.5	4.33
			80	3.6	1.6	3.7	27.7	17.8	0.64	2.32	35.6	12.0	37.3	2.53	28.7	104.5	4.33
				5.6	3.6	8.3	29.0	18.3	0.63	2.22	36.6	13.1	38.7	2.57	30.0	105.9	4.42
				7.5	6.2	14.4	29.7	18.6	0.63	2.18	37.1	13.7	39.4	2.58	30.5	106.4	4.47
				9.6	9.5	22.0	30.1	18.8	0.62	2.15	37.4	14.0	39.7	2.59	30.9	106.8	4.50
			85	3.6	1.6	3.7	26.9	17.5	0.65	2.39	35.0	11.2	38.5	2.56	29.8	105.7	4.40
				5.6	3.5	8.2	28.1	18.0	0.64	2.29	35.9	12.3	39.8	2.59	31.0	106.9	4.51
				7.5	6.1	14.2	28.7	18.2	0.63	2.24	36.4	12.8	40.4	2.59	31.5	107.4	4.57
				9.6	9.4	21.7	29.1	18.4	0.63	2.21	36.7	13.1	40.7	2.59	31.9	107.7	4.61
			90	3.6	1.6	3.6	26.0	17.3	0.66	2.47	34.4	10.5	39.6	2.59	30.8	106.7	4.49
				5.6	3.5	8.1	27.2	17.6	0.65	2.36	35.3	11.5	40.8	2.59	31.9	107.7	4.62
				7.5	6.1	14.0	27.8	17.8	0.64	2.31	35.7	12.0	41.3	2.58	32.5	108.2	4.69
				9.6	9.3	21.4	28.2	18.0	0.64	2.28	36.0	12.3	41.6	2.57	32.8	108.5	4.75
			100	3.6	1.5	3.5	24.5	17.0	0.69	2.66	33.6	9.2	Operation Not Recommended				
				5.6	3.5	8.0	25.5	17.1	0.67	2.53	34.1	10.1					
				7.5	6.0	13.8	26.0	17.3	0.66	2.47	34.4	10.5					
				9.6	9.0	20.9	26.4	17.4	0.66	2.44	34.7	10.8					
			110	7.5	5.9	13.6	24.5	16.9	0.69	2.66	33.6	9.2	Operation Not Recommended				
				9.6	8.9	20.6	24.8	17.0	0.69	2.62	33.7	9.4					

Interpolation is permissible; extrapolation is not.
 All entering air conditions are 80°F DB and 67°F WB in cooling, and 70°F DB in heating.
 ARI/ISO certified conditions are 80.6°F DB and 66.2°F WB in cooling and 68°F DB in heating.
 Table does not reflect fan or pump power corrections for ARI/ISO conditions.
 All performance is based upon the lower voltage of dual voltage rated units.
 * Pressure drop with valve = PSI + (GPM/3.5)² (Valve has a CV of 3.5 & MOPD of 30psi)
 Operation below 60°F EWT requires optional insulated water/refrigerant circuit.
 See performance correction tables for operating conditions other than those listed above.
 See Performance Data Selection Notes for operation in the shaded areas.

ClimateMaster works continually to improve its products. As a result, the design and specifications of each product at the time of order may be changed without notice and may not be as described herein. Please contact ClimateMaster's Customer Service Department at 1-405-745-6000 for specific information on the current design and specifications. Statements and other information contained herein are not express warranties and do not form the basis of any bargain between the parties, but are merely ClimateMaster's opinion or commendation of its products. The latest version of this document is available at climatemaster.com.

VHS Series 60Hz - R22 Submittal Data Eng/I-P



Performance Data 816-36

1200 CFM Nominal (Rated) Airflow

Performance capacities shown in thousands of Btu/h

WPD Adder for Motorized Valve, 816-36 (Cv = 10.3, MOPD = 150 psi)			EWT °F	GPM	WPD		Cooling - EAT 80/67°F					Heating - EAT 70°F					
					PSI	FT	TC	SC	Sens/ Tot Ratio	kW	HR	EER	HC	kW	HE	LAT	COP
GPM	WPD Adder		40	4.2	1.9	4.5	40.8	29.6	0.72	2.06	47.9	19.8	Operation Not Recommended				
	PSI	FT		6.2	4.2	9.8	41.5	30.0	0.72	1.94	48.1	21.4					
				8.4	7.5	17.4	41.6	30.0	0.72	1.86	48.0	22.3					
	10.6	11.4		26.4	41.6	29.9	0.72	1.82	47.8	22.8	28.6	2.46					
4.2	0.53	1.22	50	4.2	1.9	4.4	39.2	28.6	0.73	2.22	46.8	17.6	31.1	2.53	22.5	94.0	3.60
6.2	1.30	3.01		6.2	4.2	9.7	40.5	29.3	0.73	2.11	47.7	19.2	33.2	2.60	24.4	95.6	3.75
8.4	2.68	6.19		8.4	7.4	17.1	41.0	29.7	0.72	2.04	48.0	20.1	34.5	2.64	25.5	96.6	3.83
10.6	4.73	10.92		10.6	11.3	26.0	41.3	29.8	0.72	2.00	48.1	20.6	35.2	2.66	26.1	97.2	3.88
			60	4.2	1.9	4.4	37.0	27.3	0.74	2.38	45.1	15.5	36.4	2.70	27.2	98.1	3.95
				6.2	4.2	9.6	38.6	28.3	0.73	2.27	46.3	17.0	38.4	2.78	29.0	99.7	4.06
				8.4	7.3	16.8	39.4	28.7	0.73	2.21	46.9	17.9	39.6	2.82	30.0	100.5	4.11
				10.6	11.1	25.7	39.9	29.0	0.73	2.17	47.2	18.4	40.2	2.84	30.5	101.0	4.15
			70	4.2	1.9	4.3	34.6	26.0	0.75	2.54	43.3	13.6	40.7	2.86	30.9	101.4	4.17
				6.2	4.1	9.5	36.3	26.9	0.74	2.43	44.5	14.9	42.5	2.93	32.5	102.8	4.25
				8.4	7.2	16.6	37.2	27.4	0.74	2.37	45.3	15.7	43.5	2.96	33.4	103.5	4.30
				10.6	11.0	25.3	37.7	27.8	0.74	2.33	45.7	16.2	44.0	2.98	33.8	104.0	4.33
			80	4.2	1.8	4.2	32.2	24.9	0.77	2.70	41.5	12.1	44.1	2.98	33.9	104.0	4.33
				6.2	4.1	9.4	33.8	25.6	0.76	2.60	42.6	13.1	45.6	3.03	35.3	105.2	4.42
				8.4	7.1	16.3	34.7	26.1	0.75	2.53	43.3	13.8	46.4	3.04	36.0	105.8	4.47
				10.6	10.8	24.9	35.2	26.4	0.75	2.50	43.8	14.2	46.9	3.05	36.5	106.2	4.51
			85	4.2	1.8	4.2	31.2	24.4	0.78	2.79	40.7	11.2	45.5	3.03	35.2	105.1	4.41
				6.2	4.0	9.3	32.6	25.0	0.77	2.68	41.7	12.2	46.9	3.05	36.5	106.2	4.51
				8.4	7.0	16.1	33.4	25.4	0.76	2.62	42.4	12.8	47.7	3.05	37.3	106.8	4.58
				10.6	10.6	24.6	34.0	25.7	0.76	2.58	42.8	13.1	48.1	3.05	37.7	107.1	4.63
			90	4.2	1.8	4.1	30.2	24.0	0.80	2.88	40.0	10.5	46.8	3.05	36.4	106.1	4.50
				6.2	4.0	9.2	31.4	24.5	0.78	2.77	40.9	11.4	48.1	3.05	37.7	107.1	4.62
				8.4	6.8	15.8	32.2	24.8	0.77	2.71	41.5	11.9	48.8	3.03	38.5	107.7	4.72
				10.6	10.5	24.3	32.7	25.1	0.77	2.67	41.8	12.3	49.3	3.02	39.0	108.0	4.78
			100	4.2	1.8	4.1	28.8	23.9	0.83	3.08	39.3	9.4	Operation Not Recommended				
				6.2	3.9	9.1	29.6	23.9	0.81	2.96	39.6	10.0					
				8.4	6.7	15.5	30.1	24.0	0.80	2.89	40.0	10.4					
				10.6	10.3	23.9	30.5	24.1	0.79	2.85	40.2	10.7					
			110	8.4	6.6	15.2	28.7	23.9	0.83	3.09	39.3	9.3	Operation Not Recommended				
				10.6	10.2	23.6	28.9	23.9	0.82	3.05	39.3	9.5					

Interpolation is permissible; extrapolation is not.
 All entering air conditions are 80°F DB and 67°F WB in cooling, and 70°F DB in heating.
 ARI/ISO certified conditions are 80.6°F DB and 66.2°F WB in cooling and 68°F DB in heating.
 Table does not reflect fan or pump power corrections for ARI/ISO conditions.
 All performance is based upon the lower voltage of dual voltage rated units.
 * Pressure drop with valve = PSI + (GPM/3.5)² (Valve has a CV of 3.5 & MOPD of 30psi)
 Operation below 60°F EWT requires optional insulated water/refrigerant circuit.
 See performance correction tables for operating conditions other than those listed above.
 See Performance Data Selection Notes for operation in the shaded areas.



Performance Data Correction Tables

Air Flow Correction Table

Airflow	Cooling				Heating		
	Total Capacity	Sensible Capacity	Power	Heat of Rejection	Heating Capacity	Power	Heat of Extraction
67%	0.966	0.927	0.966	0.962	0.966	1.114	0.943
74%	0.969	0.933	0.968	0.965	0.969	1.091	0.947
80%	0.972	0.939	0.970	0.968	0.972	1.068	0.951
87%	0.986	0.969	0.986	0.984	0.986	1.045	0.976
94%	0.993	0.985	0.993	0.992	0.993	1.023	0.988
100%	1.000	1.000	1.000	1.000	1.000	1.000	1.000
107%	1.006	1.012	1.006	1.006	1.006	0.977	1.009
113%	1.016	1.033	1.016	1.017	1.016	0.954	1.026

Entering Air Correction Table

Heating				Cooling										
Entering Air DB°F	Heating Capacity	Power	Heat of Extraction	Entering Air WB°F	Total Capacity	Sensible Cooling Capacity Multiplier - Entering DB °F						Power	Heat of Rejection	
						70	75	80	80.6	85	90			95
60	1.050	0.940	1.096											
65	1.027	0.970	1.053											
68	1.007	0.992	1.014											
70	1.000	1.000	1.000											
75	0.971	1.030	0.951											
80	0.938	1.060	0.981											
				61	0.875	0.871	1.086	1.275	1.363	*	*	*	0.981	0.898
				64	0.940	0.719	0.935	1.150	1.176	1.365	*	*	0.949	0.954
				66.2	0.984	0.564	0.826	1.041	1.066	1.256	*	*	0.986	0.988
				67	1.000	0.507	0.785	1.000	1.026	1.215	1.369	*	1.000	1.000
				70	1.054		0.637	0.852	0.878	1.067	1.282	1.353	1.009	1.045
				73	1.102			0.706	0.732	0.921	1.136	1.283	1.018	1.081

* = Sensible capacity equals total capacity
 ARI/ISO/ASHRAE 13256-1 uses entering air conditions of Cooling - 80.6°F DB/66.2°F WB, 1 and Heating - 68°F DB/59°F WB entering air temperature



Blower Performance Data

Airflow in CFM with wet coil and clean air filter.

Model	Fan Speed	Rated Airflow	Min CFM	Airflow (cfm) at External Static Pressure (in. wg)															
				0.00	0.05	0.10	0.15	0.20	0.25	0.30	0.35	0.40	0.45	0.50	0.60	0.70	0.80	0.90	1.00
816-10	HI	320	215	320	290	260	240												
816-10	LOW	320	215	280	260	240													
816-10	HS HI	320	215	350	320	290	260	230											
816-10	HS LOW	320	215	270	250	220													
816-15	HI	410	275	410	380	350	320	300											
816-15	LOW	410	275																
816-15	HS HI	410	275	430	400	370	340	310											
816-15	HS LOW	410	275	350	310														
816-20	HI	680	460	680	650	610	570	520	460										
816-20	LOW	680	460	570	540	510	490	460											
816-20	HS HI	680	460	800	750	700	660	610	570	520	460								
816-20	HS LOW	680	460	670	620	570	540	510	490	460									
816-28	HI	940	630	940	900	860	810	760	710	650									
816-28	LOW	940	630	750	730	700	680	650	650										
816-28	HS HI	940	630	1000	980	950	920	890	860	830	800	770	740	700					
816-28	HS LOW	940	630	850	830	800	780	750	720	680	640								
816-30	HI	1000	670	1000	980	950	920	890	860	830	810	780							
816-30	LOW	1000	670	850	830	800	780	750	710	670									
816-30	HS HI	1000	670	1250	1230	1200	1170	1140	1110	1080	1050	1010	980	940	870	790			
816-30	HS LOW	1000	670	1040	1020	1000	980	950	930	900	820	740	690						
816-36	HI	1200	805	1200	1150	1100	1050	1000	970	940	910	870	840						
816-36	LOW	1200	805	1000	980	950	930	900	870	830	810								
816-36	HS HI	1200	805	1250	1230	1200	1170	1140	1110	1080	1050	1010	980	940	870				
816-36	HS LOW	1200	805	1040	1020	1000	980	950	930	900	820								

Units with CXM factory shipped on medium speed TAP. Units with DXM factory shipped on medium and low TAPs except 81615 shipped on high and medium TAPs. Field select other TAPs if needed.

All airflow is rated at lowest Voltage if unit is dual Voltage rated, i.e. 208V for 208-230V units.

All units ARI/ISO/ASHRAE 13256-1 rated on high fan speed.

VHS Series 60Hz - R22 Submittal Data Eng/I-P



Physical Data

Model	10	15	20	28	30	36
Compressor (1 Each)	Rotary		Reciprocating			Scroll
Factory Charge R22 (oz) [kg]	16 [0.45]	23 [0.65]	29 [0.82]	44 [1.25]	55 [1.56]	50 [1.42]
PSC Fan Motor & Blower (2 Speeds)						
Fan Motor (hp) [W]	1/30 [25]	1/30 [25]	1/6 [124]	1/4 [187]	1/4 [187]	1/4 [187]
High Static Fan Motor (hp) [W]	1/15 [50]	1/15 [50]	1/6 [124] w/ 9 x 7 blower [229 x 178]	1/2 [373]	1/2 [373]	1/2 [373]
Blower Wheel Size (dia x w) - (in) [mm]	6.75 x 7.25 [174 x 184]	6.75 x 7.25 [174 x 184]	7.62 x 7 [194 x 178]	9 x 8.06 [229 x 205]	9 x 8.06 [229 x 205]	9 x 8.06 [229 x 205]
Hose Kit (AHH Series Required)						
IPT (in)	1/2	1/2	1/2	3/4	3/4	3/4
Chassis Air Coil						
Air Coil Dimensions (h x w) - (in) [mm]	16 x 11.5 [406 x 292]	20 x 11.5 [508 x 292]	27 x 14 [686 x 356]	26 x 17.25 [660 x 438]	26 x 17.25 [660 x 438]	26 x 17.25 [660 x 438]
Standard Filter - 1" [25.4mm] Throwaway, qty (in) [mm]	12.5 x 21.25 [318 x 540]	12.5 x 21.25 [318 x 540]	16.25 x 28.5 [413 x 724]	20 x 25.5 [508 x 648]	20 x 25.5 [508 x 648]	20 x 25.5 [508 x 648]
Weight						
Chassis - (lbs) [kg]	73 [33]	81 [37]	141 [64]	171 [78]	191 [87]	177 [80]
Cabinet - (lbs) [kg]	174 [79]	174 [79]	189 [86]	243 [110]	243 [110]	243 [110]

Unit Maximum Water Working Pressure	
Options	Max Pressure PSIG [kPa]
Base Unit	450 [3,100]
Internal Secondary Pump (ISP)	145 [999]
Internal Motorized Water Valve (MWW)	300 [2,067]
Internal Auto Flow Valve	450 [3,100]

Use the lowest maximum pressure rating when multiple options are combined.

VHS Series 60Hz - R22 Submittal Data Eng/I-P



Electrical Data

All 816 Units							Standard 816 Unit				816 unit with Secondary Pump			
Model	Voltage Code	Voltage	Min/Max Voltage	Compressor			Fan Motor FLA	Total Unit FLA	Min Circuit Amps	Max Fuse/HACR	Pump FLA	Total Unit FLA	Min Circuit Amp	Max Fuse/HACR
				QTY	RLA	LRA								
816-10	G	208-230/60/1	197/254	1	4.5	20.0	0.31	4.8	5.9	15	0.43	5.2	6.4	15
	E	265/60/1	239/292	1	3.3	18.6	0.30	3.6	4.4	15	N/A	N/A	N/A	N/A
816-10 High Static	G	208-230/60/1	197/254	1	4.5	20.0	0.70	5.2	6.3	15	0.43	5.6	6.8	15
	E	265/60/1	239/292	1	3.3	18.6	0.60	3.9	4.7	15	N/A	N/A	N/A	N/A
816-15	G	208-230/60/1	197/254	1	4.9	28.0	0.31	5.2	6.4	15	0.43	5.6	6.9	15
	E	265/60/1	239/292	1	4.4	26.3	0.30	4.7	5.8	15	N/A	N/A	N/A	N/A
816-15 High Static	G	208-230/60/1	197/254	1	4.9	28.0	0.70	5.6	6.8	15	0.43	6.0	7.3	15
	E	265/60/1	239/292	1	4.4	26.3	0.60	5.0	6.1	15	N/A	N/A	N/A	N/A
816-20	G	208-230/60/1	197/254	1	8.6	49.0	1.00	9.6	11.8	20	0.8	10.4	12.6	20
	E	265/60/1	239/292	1	8.1	44.0	0.86	9.0	11.0	15	0.7	9.7	11.7	15
816-20 High Static	G	208-230/60/1	197/254	1	8.6	49.0	1.00	9.6	11.8	20	0.8	10.4	12.6	20
	E	265/60/1	239/292	1	8.1	44.0	0.86	9.0	11.0	15	0.7	9.7	11.7	15
816-28	G	208-230/60/1	197/254	1	10.5	56.0	1.50	12.0	14.6	25	0.8	12.8	15.4	25
	E	265/60/1	239/292	1	9.5	55.0	1.30	10.8	13.2	20	0.7	11.5	13.9	20
816-28 High Static	G	208-230/60/1	197/254	1	10.5	56.0	2.00	12.5	15.1	25	0.8	13.3	15.9	25
	E	265/60/1	239/292	1	9.5	55.0	1.66	11.2	13.5	20	0.7	11.9	14.2	20
816-30	G	208-230/60/1	197/254	1	11.2	61.0	1.50	12.7	15.4	25	0.8	13.5	16.3	25
	E	265/60/1	239/292	1	9.8	58.0	1.30	11.1	13.6	20	0.7	11.8	14.3	20
816-30 High Static	G	208-230/60/1	197/254	1	11.2	61.0	2.00	13.2	16.0	25	0.8	14.0	16.8	25
	E	265/60/1	239/292	1	9.8	58.0	1.66	11.2	13.9	20	0.7	12.2	14.6	20
816-36	G	208-230/60/1	197/254	1	14.7	83.0	1.50	16.2	19.9	30	0.8	17.0	20.7	35
	E	265/60/1	239/292	1	12.8	76.0	1.30	14.1	17.3	30	0.7	14.8	18.0	30
816-36 High Static	G	208-230/60/1	197/254	1	14.7	83.0	2.00	16.7	20.4	35	0.8	17.5	21.2	35
	E	265/60/1	239/292	1	12.8	76.0	1.66	14.5	17.7	30	0.7	15.2	18.4	30

ClimateMaster works continually to improve its products. As a result, the design and specifications of each product at the time of order may be changed without notice and may not be as described herein. Please contact ClimateMaster's Customer Service Department at 1-405-745-6000 for specific information on the current design and specifications. Statements and other information contained herein are not express warranties and do not form the basis of any bargain between the parties, but are merely ClimateMaster's opinion or commendation of its products. The latest version of this document is available at climatemaster.com.

VHS Series 60Hz - R22 Submittal Data Eng/I-P



VHS Series Wiring Diagram Matrix

Only CXM and DXM diagrams for ACO/MCO Controls are presented in this submittal.
Other diagrams can be located online at climatemaster.com using the part numbers presented below.

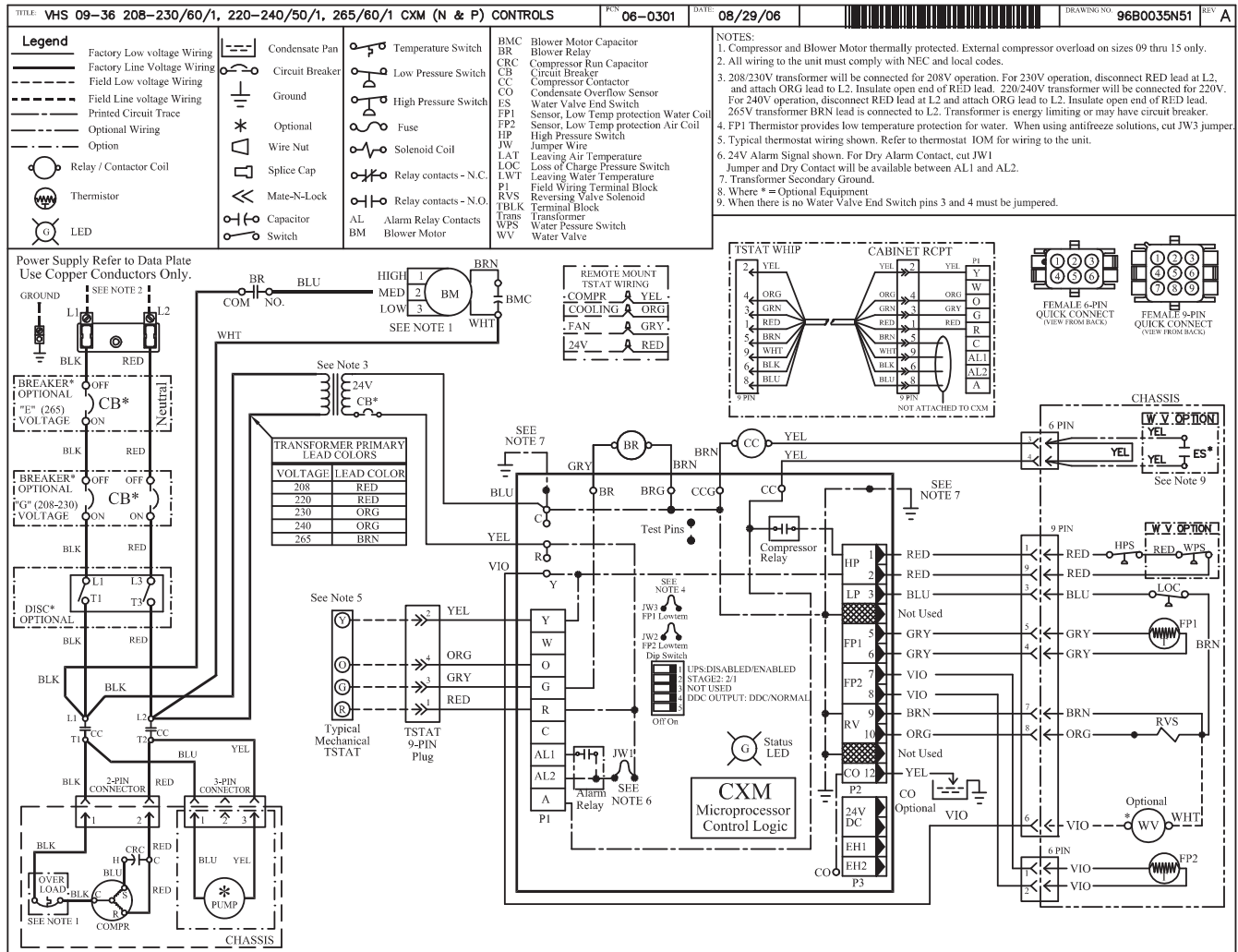
Cabinet

Model	Refrigerant	Wiring Diagram Part Number	Electrical	Control	Agency	
VHS10-36	R22	96B0035N61	208-230/60/1, 265/60/1	CXM	ACO/MCO	ETL
		96B0035N67			LON	
		96B0035N65			MPC	
		96B0035N62	208-230/60/1, 265/60/1	DXM	ACO/MCO	
		96B0035N68			LON	
		96B0035N66			MPC	

Chassis

Model	Refrigerant	Wiring Diagram Part Number	Electrical	Control	Agency
VHS10-36	R22	96B0036N15	208-230/1/60, 265/1/60	CXM, DXM	ETL

Typical Wiring Diagram Single Phase VHS Units With CXM Controller

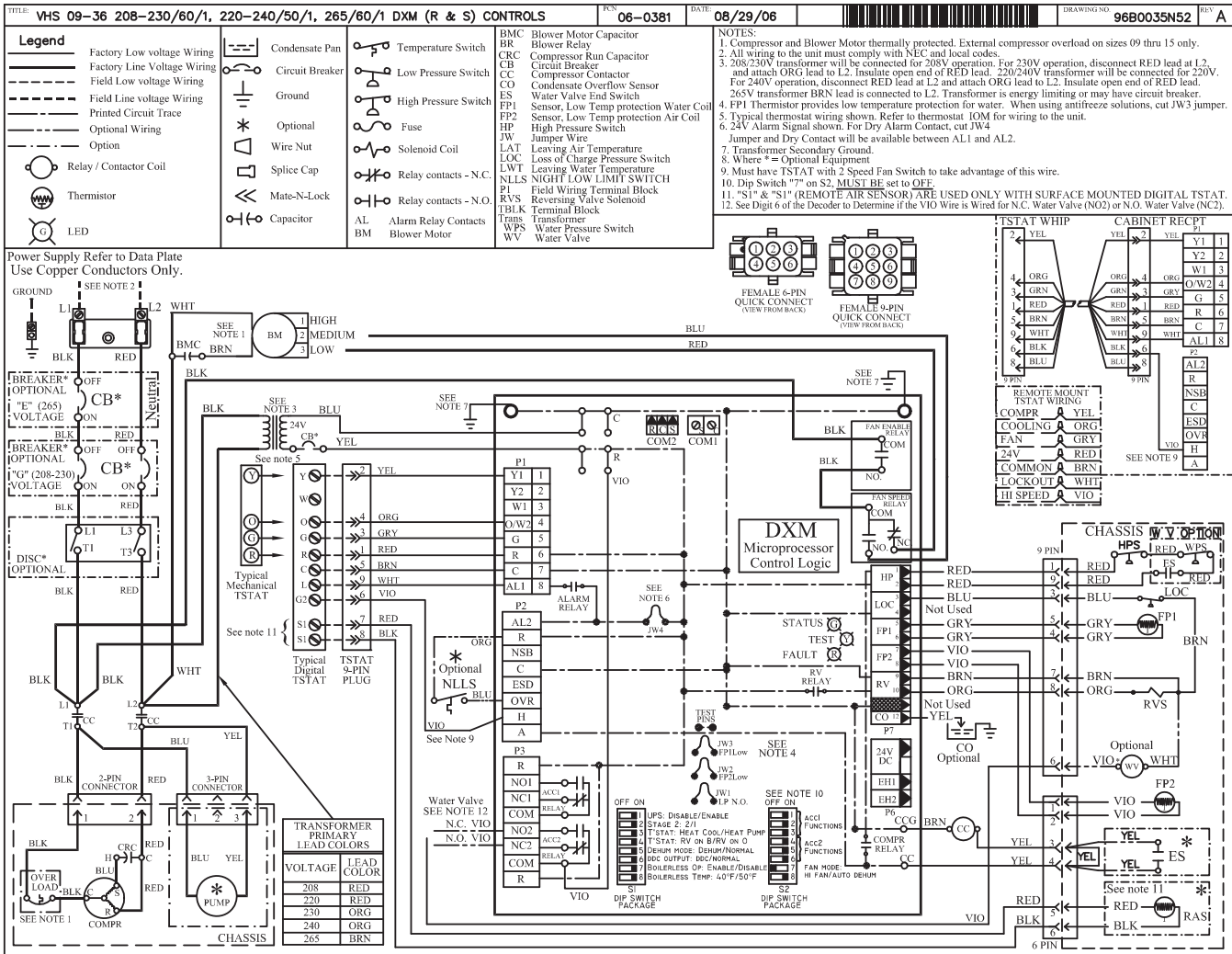


CXM CONTROLLER FAULT CODES

DESCRIPTION OF OPERATION	LED	ALARM RELAY
NORMAL MODE	ON	OPEN
NORMAL MODE W/ UPS WARNING	ON	CYCLE (CLOSED 5 SEC. OPEN 25 SEC.)
CXM IS NON-FUNCTIONAL	OFF	OPEN
FAULT RETRY	SLOW FLASH	OPEN
LOCKOUT	FAST FLASH	CLOSED
OVER/UNDER VOLTAGE SHUTDOWN	SLOW FLASH	OPEN (CLOSED AFTER 15 MIN.)
TEST MODE-NO FAULT IN MEMORY	FLASHING CODE 1	CYCLING CODE 1
TEST MODE-HP FAULT IN MEMORY	FLASHING CODE 2	CYCLING CODE 2
TEST MODE-LP FAULT IN MEMORY	FLASHING CODE 3	CYCLING CODE 3
TEST MODE-FP1 FAULT IN MEMORY	FLASHING CODE 4	CYCLING CODE 4
TEST MODE-FP2-FAULT IN MEMORY	FLASHING CODE 5	CYCLING CODE 5
TEST MODE-CO FAULT IN MEMORY	FLASHING CODE 6	CYCLING CODE 6
TEST MODE-OVER/UNDER SHUTDOWN IN MEMORY	FLASHING CODE 7	CYCLING CODE 7
TEST MODE-UPS IN MEMORY	FLASHING CODE 8	CYCLING CODE 8
TEST MODE-SWAPPED FP1 TO FP2	FLASHING CODE 9	CYCLING CODE 9



Typical Wiring Diagram Single Phase VHS Units With DXM Controller



DXM CONTROLLER FAULT CODES

OPERATION	STATUS LED (GREEN)	TEST LED (YELLOW)	FAULT LED (RED)	ALARM RELAY
NORMAL MODE	ON	OFF	NOTE:2	OPEN
DXM IS NON-FUNCTIONAL	OFF	OFF	NOTE:2	OPEN
TEST MODE	-	ON	NOTE:2	Cycle (Note 3)
NIGHT SETBACK	FLASHING CODE 2	-	NOTE:2	-
EMERGENCY SHUT DOWN	FLASHING CODE 3	-	NOTE:2	-
INVALID T-STAT INPUTS	FLASHING CODE 4	-	NOTE:2	-
NO FAULT IN MEMORY	ON	OFF	FLASHING CODE 1	OPEN
HP: FAULT / (LOCKOUT) NOTE: 1	SLOW FLASH / (FAST FLASH)	OFF	FLASHING CODE 2	OPEN / (CLOSED)
LP: FAULT / (LOCKOUT) NOTE: 2	SLOW FLASH / (FAST FLASH)	OFF	FLASHING CODE 3	OPEN / (CLOSED)
FP1: FAULT / (LOCKOUT) NOTE: 1	SLOW FLASH / (FAST FLASH)	OFF	FLASHING CODE 4	OPEN / (CLOSED)
FP2: FAULT / (LOCKOUT) NOTE: 1	SLOW FLASH / (FAST FLASH)	OFF	FLASHING CODE 5	OPEN / (CLOSED)
CO: FAULT / (LOCKOUT) NOTE: 1	SLOW FLASH / (FAST FLASH)	OFF	FLASHING CODE 6	OPEN / (CLOSED)
OVER-UNDER VOLTAGE	SLOW FLASH	OFF	FLASHING CODE 7	OPEN(NOTE4)
NORMAL MODE w/UPS	ON	OFF	FLASHING CODE 8	CYCLE (NOTE5)
SWAPPED FP1/FP2 LOCKOUT	FAST FLASH	OFF	FLASHING CODE 9	CLOSED

1. STATUS LED (GREEN) : SLOW FLASH – CONTROLLER IN FAULT RETRY MODE, FAST FLASH – CONTROLLER IN LOCKOUT MODE SLOW FLASH = 1 FLASH PER EVERY 2 SECONDS. FAST FLASH = 2 FLASHES PER EVERY 1 SECOND.

2. FAULT LED (RED) FLASHES A CODE REPRESENTING LAST FAULT IN MEMORY. IF NO FAULT IN MEMORY, CODE 1 IS FLASHED.

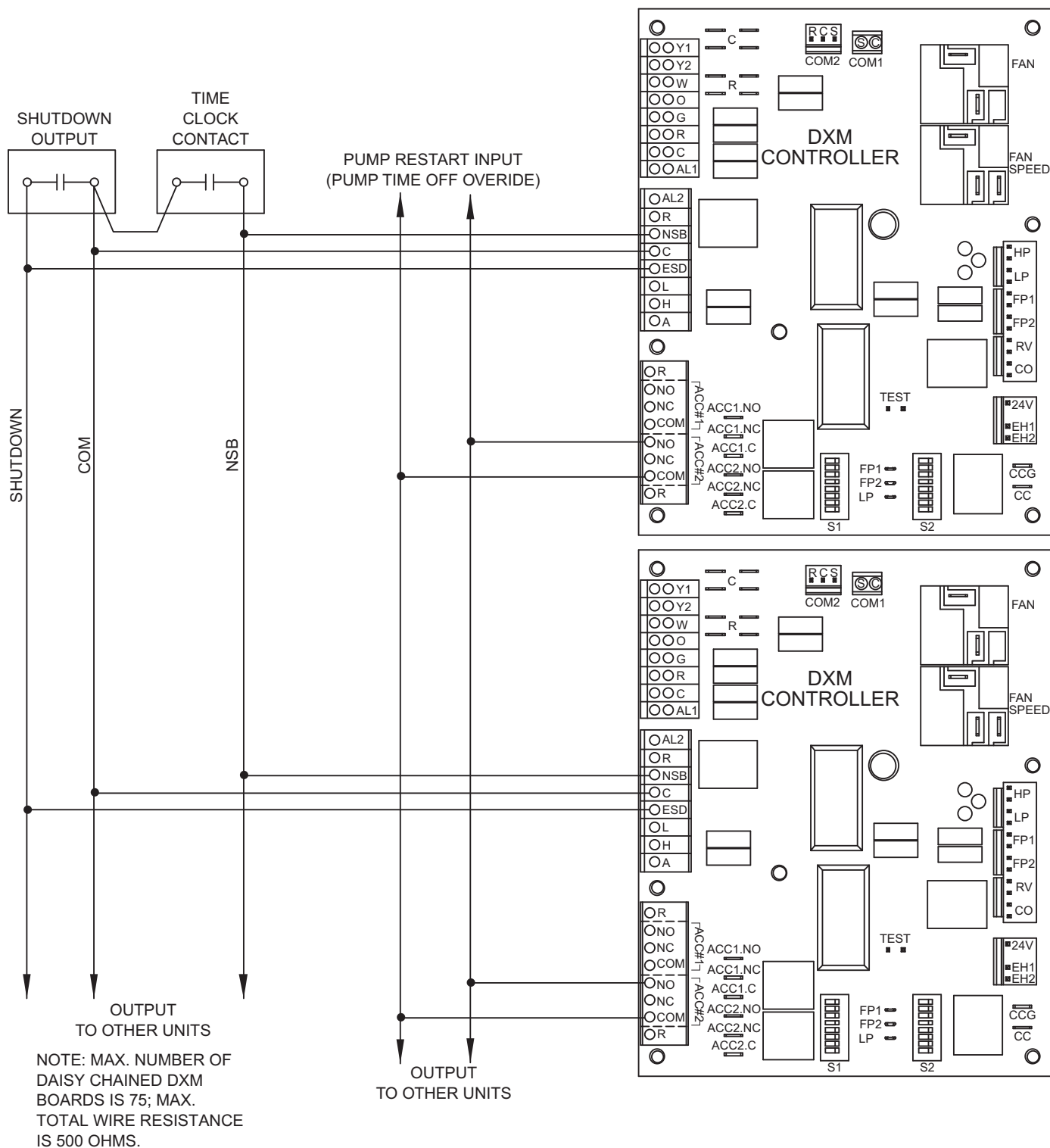
3. CYCLES APPROPRIATE CODE, BY CYCLING ALARM RELAY IN THE SAME SEQUENCE AS FAULT LED.

4. ALARM RELAY CLOSSES AFTER 15 MINUTES.

5. ALARM RELAY CYCLES : CLOSED FOR 5 SECONDS AND OPEN FOR 25 SECONDS. . .



Typical Wiring Diagram Single Phase VHS Units With DXM Controller with Night Setback, Emergency Shutdown, & Pump Restart

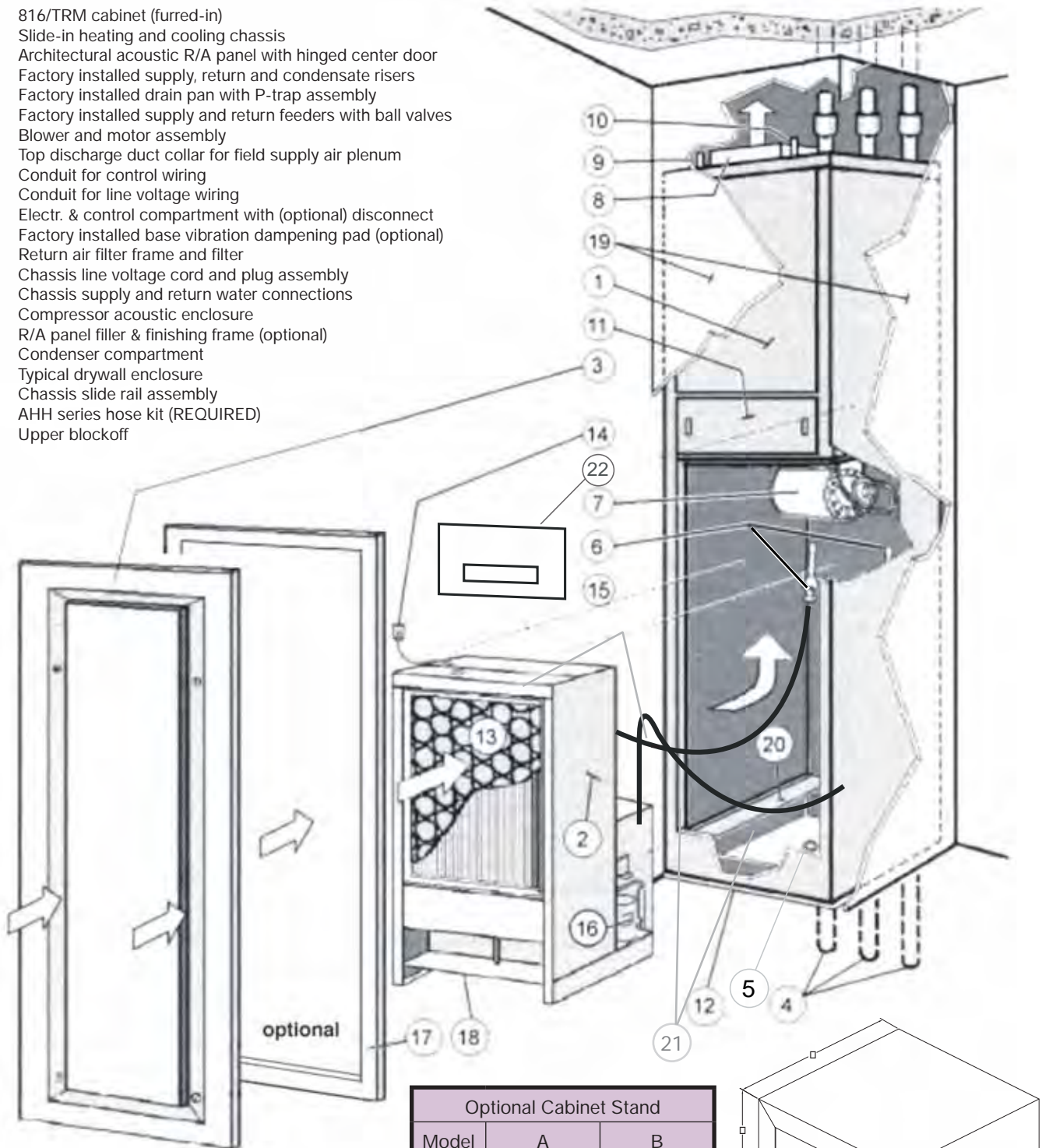


ClimateMaster works continually to improve its products. As a result, the design and specifications of each product at the time of order may be changed without notice and may not be as described herein. Please contact ClimateMaster's Customer Service Department at 1-405-745-6000 for specific information on the current design and specifications. Statements and other information contained herein are not express warranties and do not form the basis of any bargain between the parties, but are merely ClimateMaster's opinion or commendation of its products. The latest version of this document is available at climatemaster.com.



Typical Unit - Exploded View Single Unit: Furred In & Ducted

- 1 816/TRM cabinet (furred-in)
- 2 Slide-in heating and cooling chassis
- 3 Architectural acoustic R/A panel with hinged center door
- 4 Factory installed supply, return and condensate risers
- 5 Factory installed drain pan with P-trap assembly
- 6 Factory installed supply and return feeders with ball valves
- 7 Blower and motor assembly
- 8 Top discharge duct collar for field supply air plenum
- 9 Conduit for control wiring
- 10 Conduit for line voltage wiring
- 11 Electr. & control compartment with (optional) disconnect
- 12 Factory installed base vibration dampening pad (optional)
- 13 Return air filter frame and filter
- 14 Chassis line voltage cord and plug assembly
- 15 Chassis supply and return water connections
- 16 Compressor acoustic enclosure
- 17 R/A panel filler & finishing frame (optional)
- 18 Condenser compartment
- 19 Typical drywall enclosure
- 20 Chassis slide rail assembly
- 21 AHH series hose kit (REQUIRED)
- 22 Upper blockoff



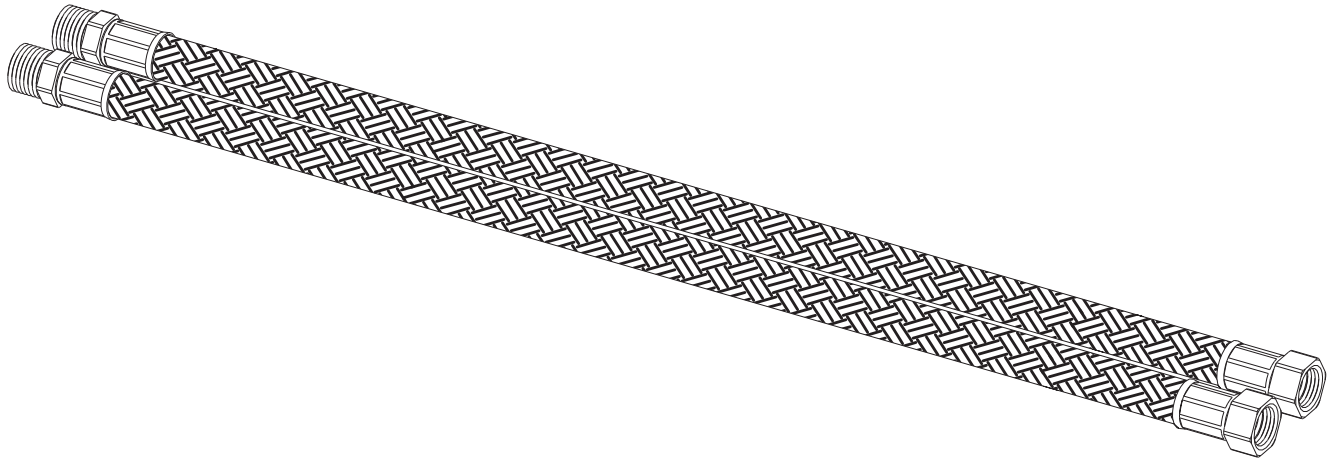
Optional Cabinet Stand		
Model	A	B
10/15	8" [203mm]	17.1" [434mm]
20	8" [203mm]	20.1" [511mm]
28-36	8" [203mm]	24.1" [612mm]

ClimateMaster works continually to improve its products. As a result, the design and specifications of each product at the time of order may be changed without notice and may not be as described herein. Please contact ClimateMaster's Customer Service Department at 1-405-745-6000 for specific information on the current design and specifications. Statements and other information contained herein are not express warranties and do not form the basis of any bargain between the parties, but are merely ClimateMaster's opinion or commendation of its products. The latest version of this document is available at climatemaster.com.

AHH Series Stainless Steel Braided Hose Kit

Specifications:

- Designed for VHS water source heat pump applications.
- Kevlar[®] reinforced EPDM core with ANSI 302/304 stainless steel outer braid.
- Fire rated materials per ASTM E 84-00 (NFPA 255, ANSI/UL 723 & UBC 8-1).
- NPT(E) (External Pipe Thread) fitting at one end; swivel with NPSH thread connector (Internal Thread) at the other end (seals via fiber or EPDM gasket, shipped inside connection).
- Swivel connection provides union between chassis and risers.
- Brass fittings, stainless steel ferrules.
- Temperature range of 15°F [9°C] to 180°F [82°C]. (Operation below 32°F requires antifreeze)
- Max. working pressure of 400 psi [2756 kPa].
- Min. burst pressure of four times working pressure.

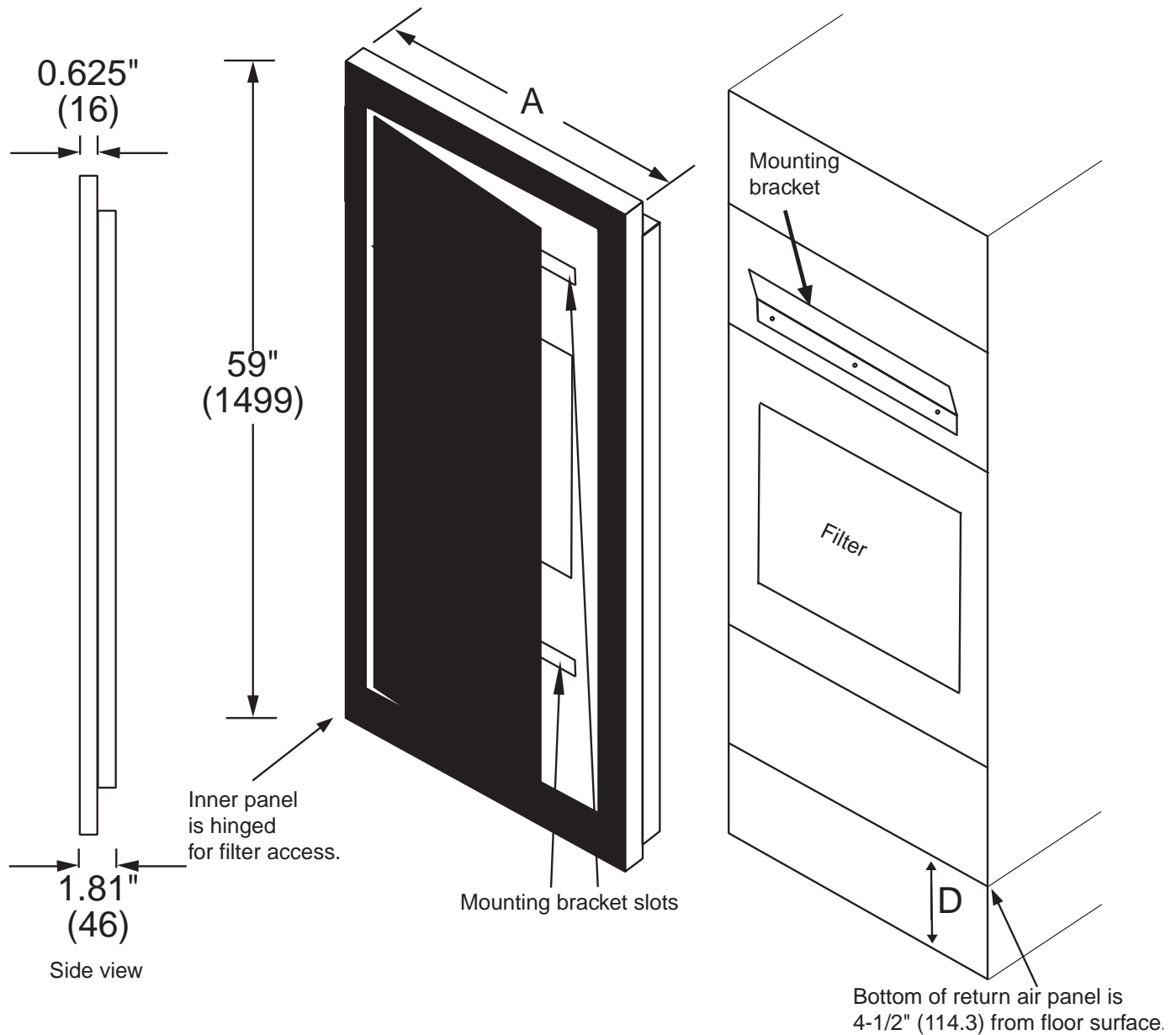


Physical Data

Unit	Part #	Inside Diameter inches	Length feet [cm]	Working Pressure psi [kPa]	Min. Burst Pressure psi [kPa]	Min. Bend Radius inches [mm]
09, 12	AHH0502B	0.50	2 [61]	400 [2756]	1600 [11024]	2.5 [63.5]
15, 18	AHH0753B	0.75	3 [91]	400 [2756]	1600 [11024]	4.5 [114.3]
24-36	AHH1003B	1.00	3 [91]	400 [2756]	1600 [11024]	5.5 [139.7]



Hinged "G" Style Return Air Panel



Unit Size	A
10 - 15	18-1/2" [470]
20	21-1/2" [546]
28 - 36	25-1/2" [648]

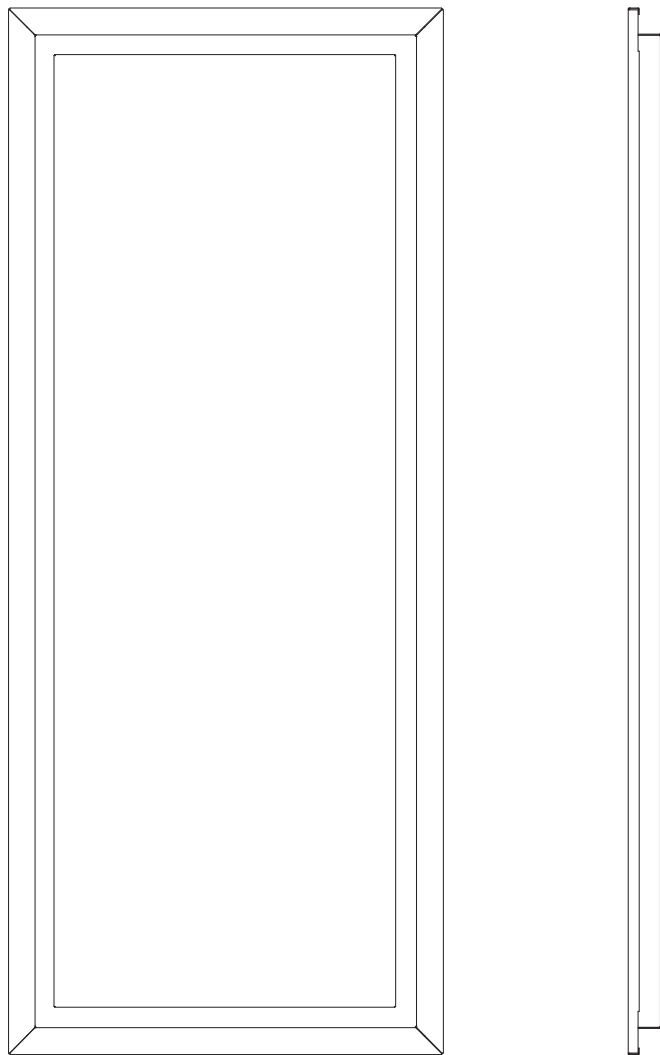
1.25" (32) drywall flanges must be used on cabinet.

Notes:

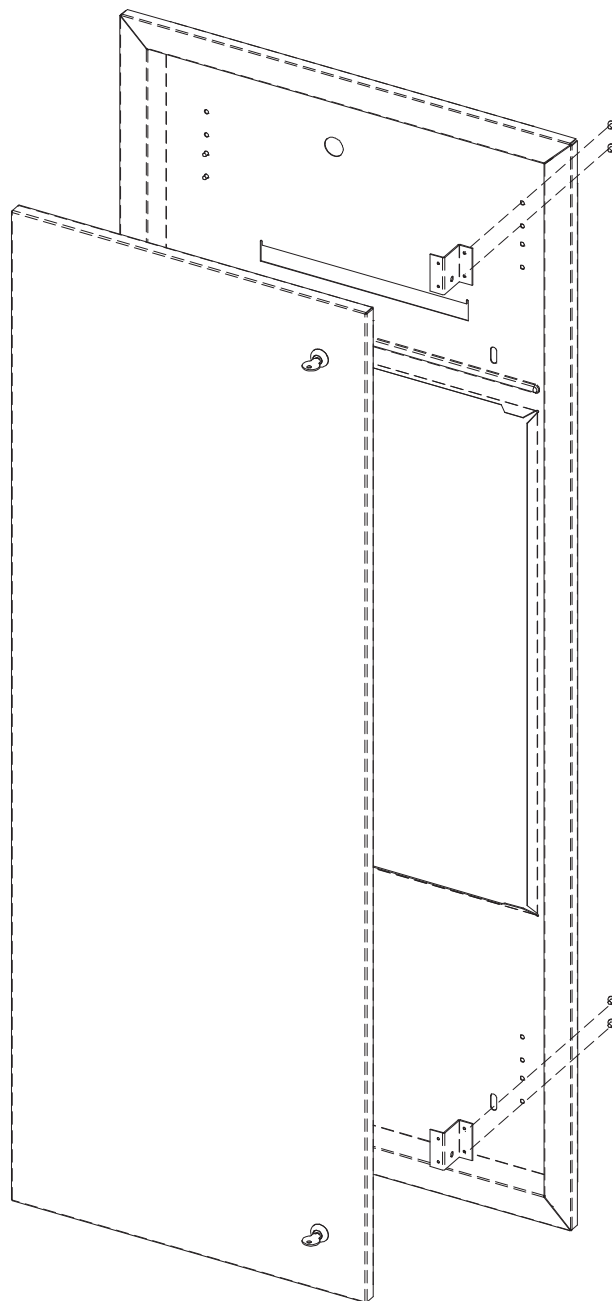
1. Panel Fits over mounting bracket for self alignment, then 4 bolts driven through panels slots into nuts on chassis.
2. Panel is painted Polar Ice White
3. All measurements are in inches, millimeters are in parenthesis.



Hinged "G" Style Return Air Panel With Keyed Locks



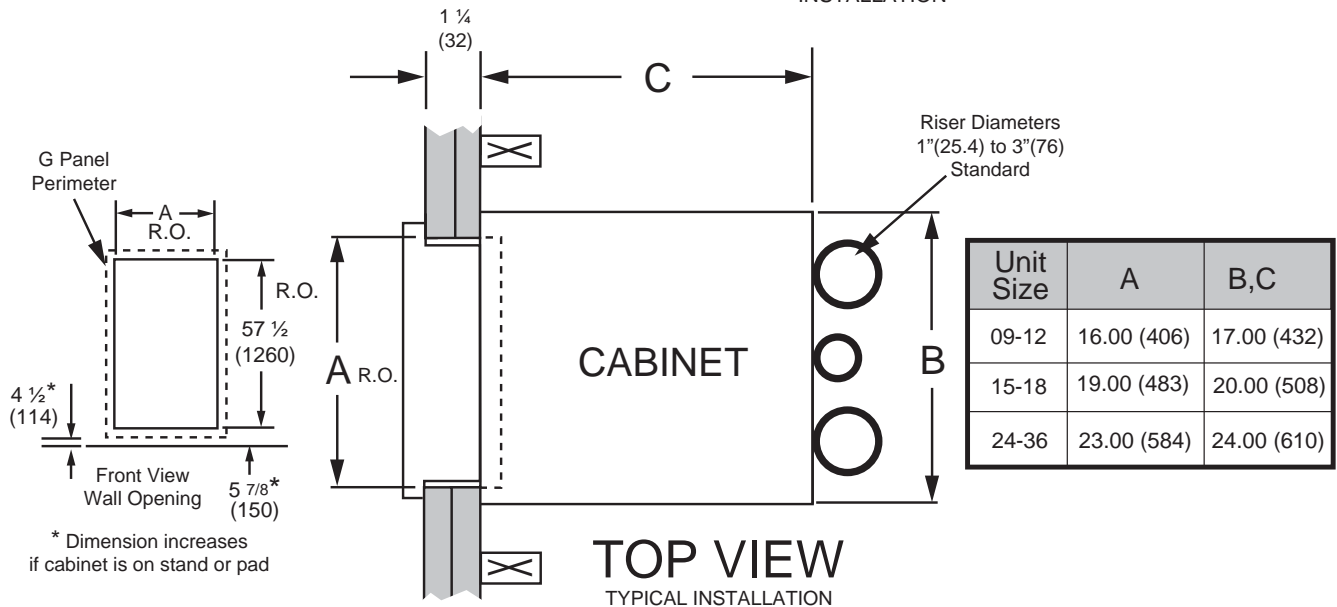
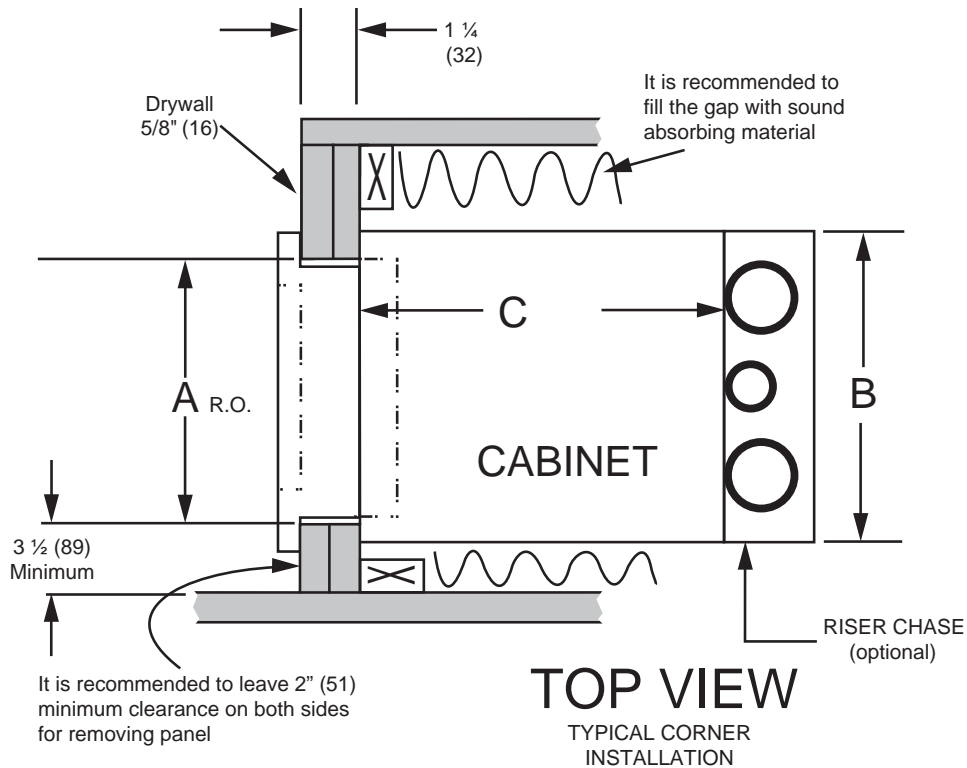
Standard G Panel



With Keyed Locks



"G" Style Return Air Panel with Cabinet Flush Mounted



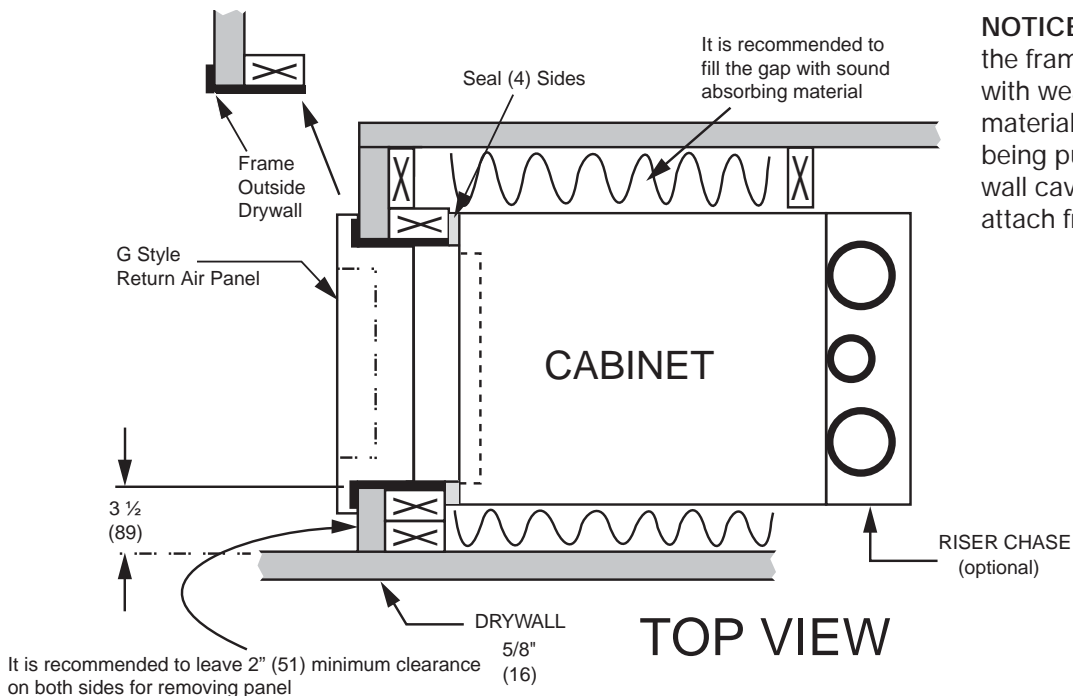
Notes:

1. Must use 2 layers of 5/8" (16) drywall attached directly to front surface of cabinet for correct fit of "G" panel.
2. Drywall can be applied directly to cabinet sides, however, for best sound attenuation, a furred in stud wall installation is recommended. Studs should not touch cabinet.
3. G Panel attaches to cabinet. Do not caulk outer panel to wall.
4. All measurements are in inches (mm). All studs - nominal 2x4 (1.50 [38] x 3.50 [89])
5. For filter access, pivot panel, open filter access snap. For chassis removal, remove G Panel and slide out chassis.

ClimateMaster works continually to improve its products. As a result, the design and specifications of each product at the time of order may be changed without notice and may not be as described herein. Please contact ClimateMaster's Customer Service Department at 1-405-745-6000 for specific information on the current design and specifications. Statements and other information contained herein are not express warranties and do not form the basis of any bargain between the parties, but are merely ClimateMaster's opinion or commendation of its products. The latest version of this document is available at climatemaster.com.



"G" Style Return Air Panel with Cabinet Recessed Frame Kit Required

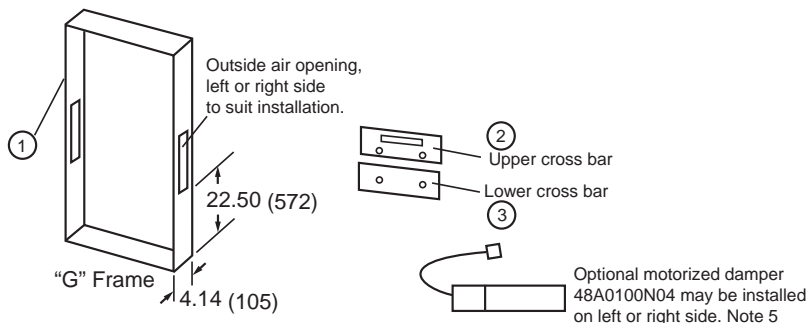


NOTICE: Seal between the frame and cabinet with weather seal material to avoid air being pulled in from the wall cavity. DO NOT attach frame to cabinet.

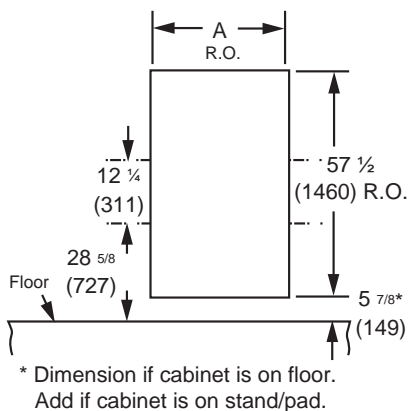
It is recommended to leave 2" (51) minimum clearance on both sides for removing panel

Notes:

1. Drywall can be applied directly to side surfaces, however, for best sound attenuation, a furred in stud wall installation is recommended. Studs should not touch cabinet.
2. G Panel attaches to frame cross bars. Cabinet can be recessed behind wall. Do not caulk outer panel to wall.
3. Dimensions are in inches (mm). All studs nominal 2x4, 1.50 (38) x 3.50 (89)
4. For filter access, pivot inner panel, open filter access snap. For chassis removal, remove G Panel, remove 2 cross bars, slide out chassis.
5. If motorized damper is used, mixed air temperature should be a minimum of 50°F.



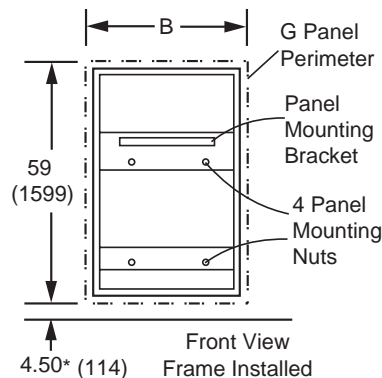
Kit Part	Qty	Description
1	1	Frame
2	1	Upper Cross Bar
3	1	Lower Cross Bar



Frame Kit

Kit	Size	A	B
48A0100N11	9-12	16 5/8 (400)	18.50 (470)
48A0100N12	15-18	19 5/8 (498)	21.50 (546)
48A0100N13	24-36	23 5/8 (600)	25.50 (648)

Note: When outside air is used, contractor must supply outside air duct and cut hole in stud.

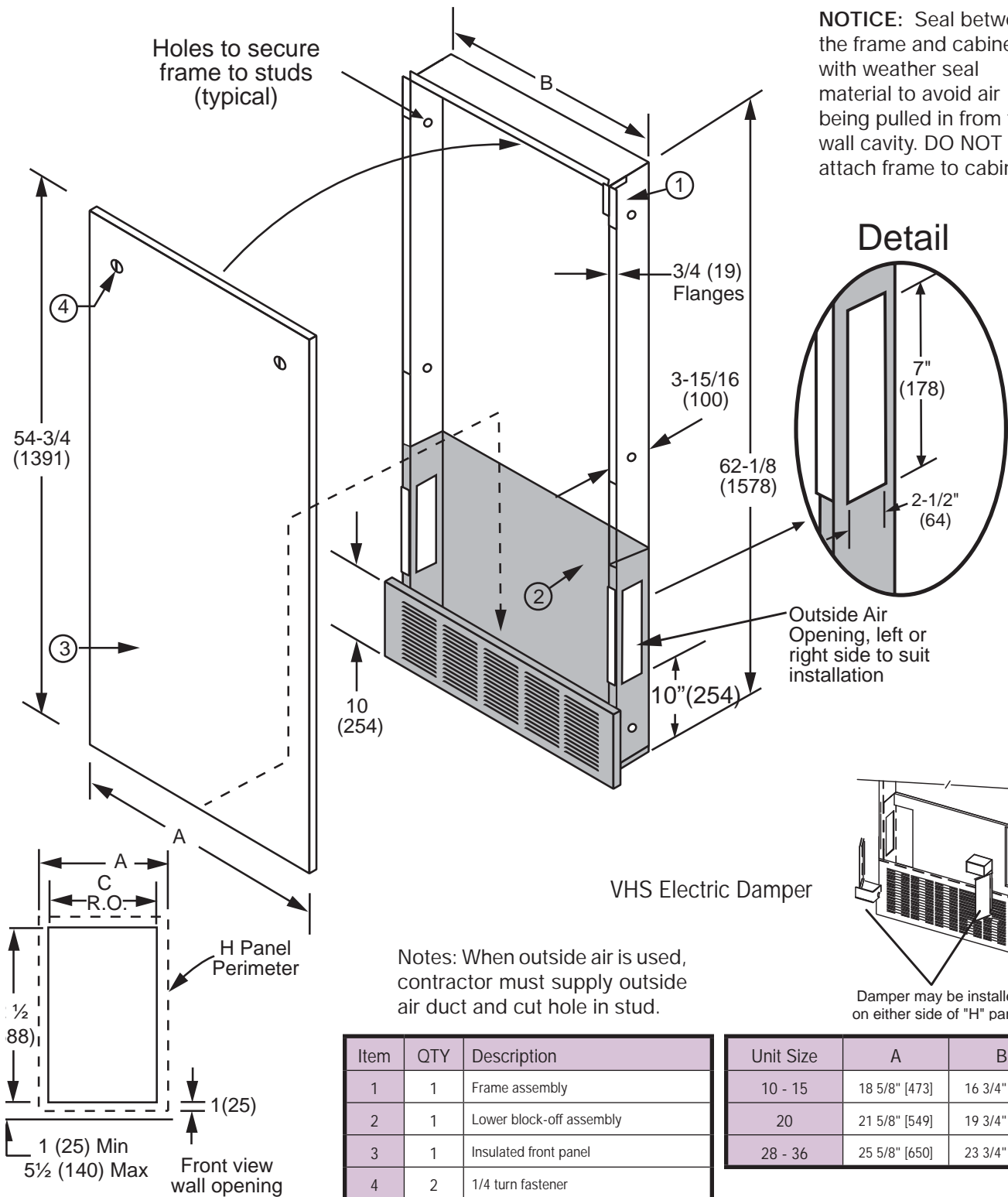


ClimateMaster works continually to improve its products. As a result, the design and specifications of each product at the time of order may be changed without notice and may not be as described herein. Please contact ClimateMaster's Customer Service Department at 1-405-745-6000 for specific information on the current design and specifications. Statements and other information contained herein are not express warranties and do not form the basis of any bargain between the parties, but are merely ClimateMaster's opinion or commendation of its products. The latest version of this document is available at climatemaster.com.



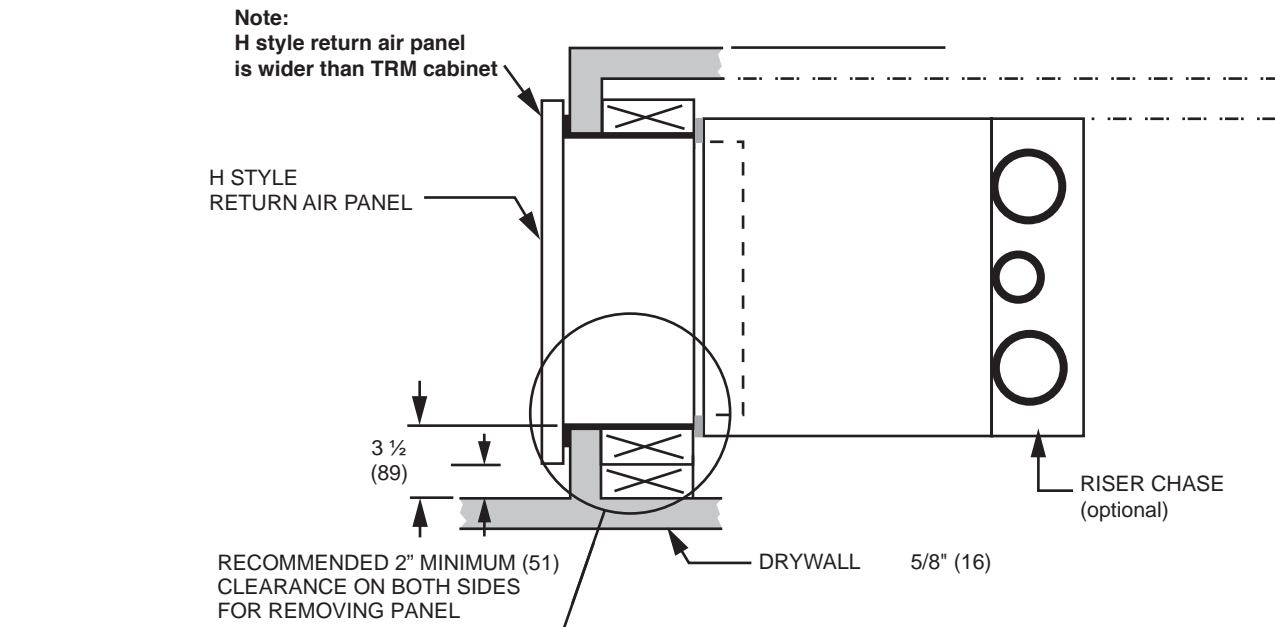
Hinged "H" Style Return Air Panel

NOTICE: Seal between the frame and cabinet with weather seal material to avoid air being pulled in from the wall cavity. **DO NOT** attach frame to cabinet.

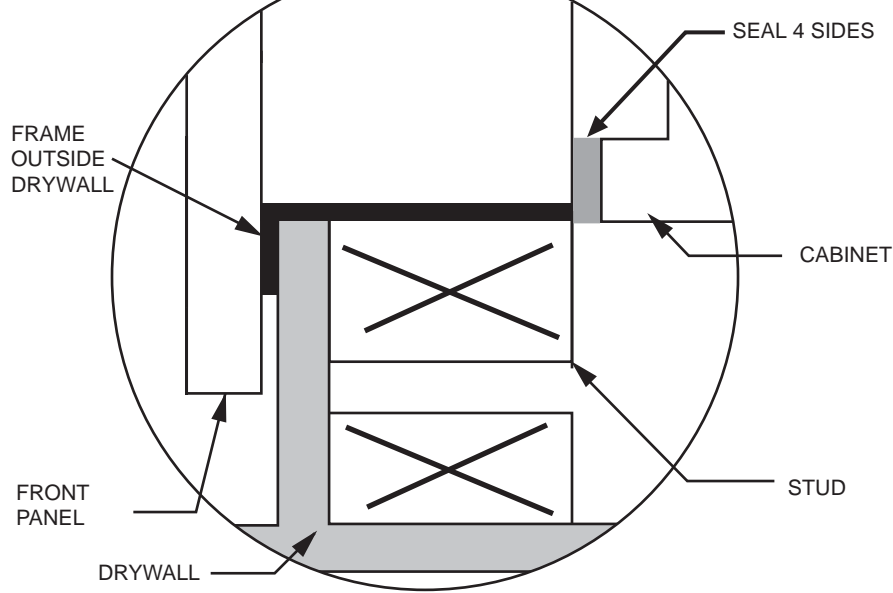


Note: All measurements are in inches, millimeters are in parenthesis. Asy = Assembly

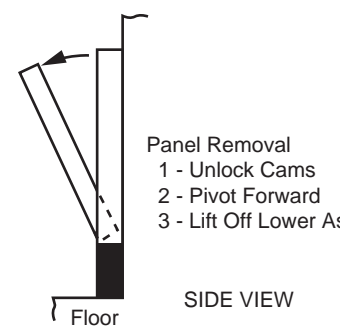
Hinged "H" Style Return Air Panel



TOP VIEW



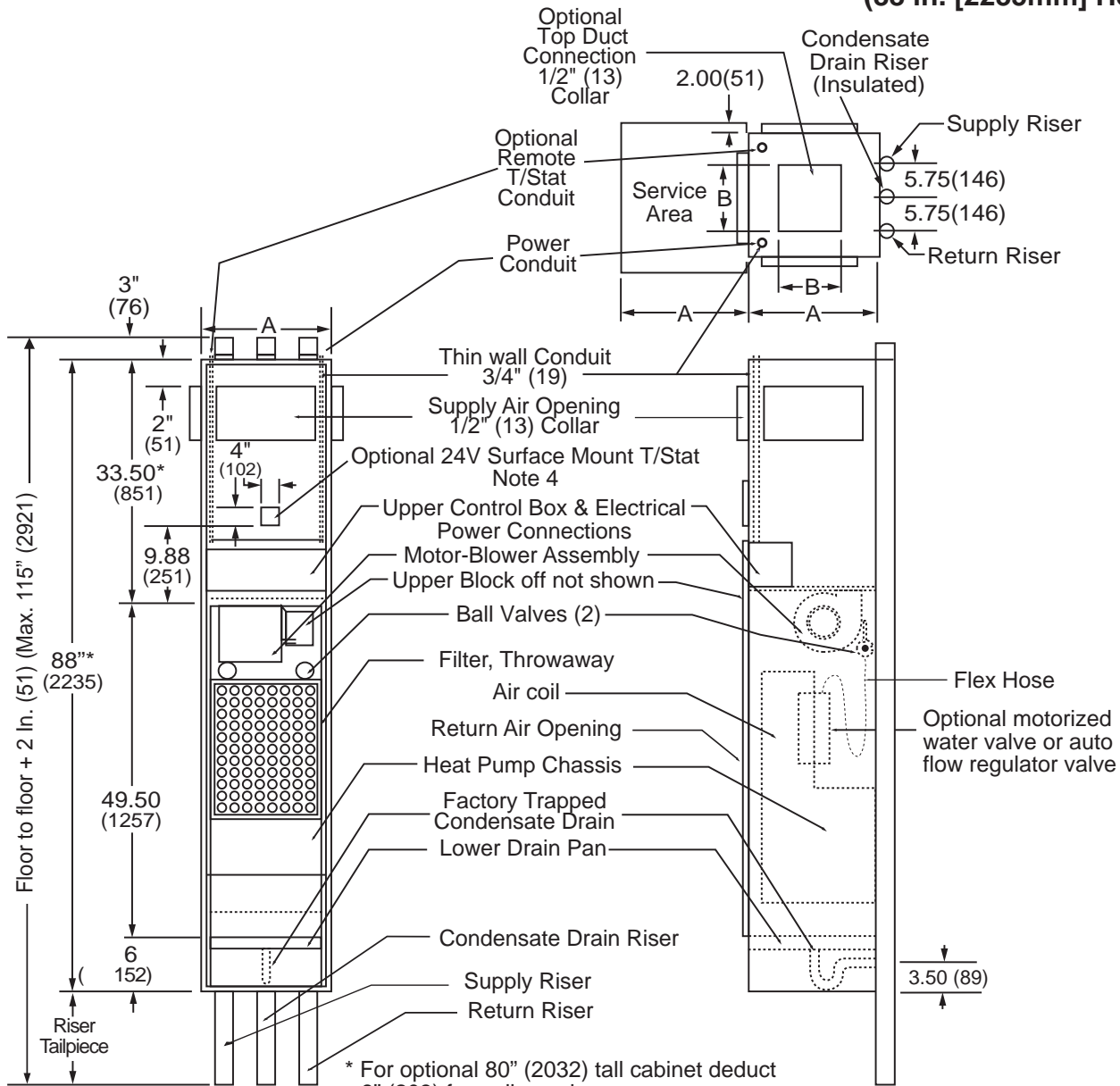
NOTICE: Seal between the frame and cabinet with weather seal material to avoid air being pulled in from the wall cavity. DO NOT attach frame to cabinet.



Note: All measurements are in inches, millimeters are in parenthesis.



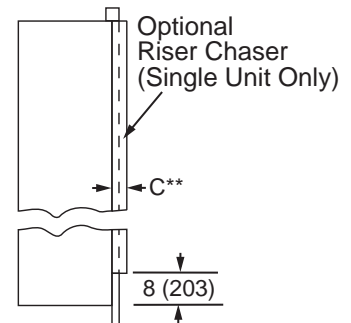
VHS Unit Dimensions Single Unit, Furred In Cabinet (88 in. [2235mm] Height)



* For optional 80" (2032) tall cabinet deduct 8" (203) from dimensions.
Note: May limit front supply opening size.

Unit Size	A	B	C**
816-10	17 [432]	10 [254]	4-1/4 [92]
816-15	17 [432]	10 [254]	4-1/4 [92]
816-20	20 [508]	13 [330]	4-1/4 [92]
816-28	24 [610]	17 [432]	4-1/4 [92]
816-30	24 [610]	17 [432]	4-1/4 [92]
816-36	24 [610]	17 [432]	4-1/4 [92]

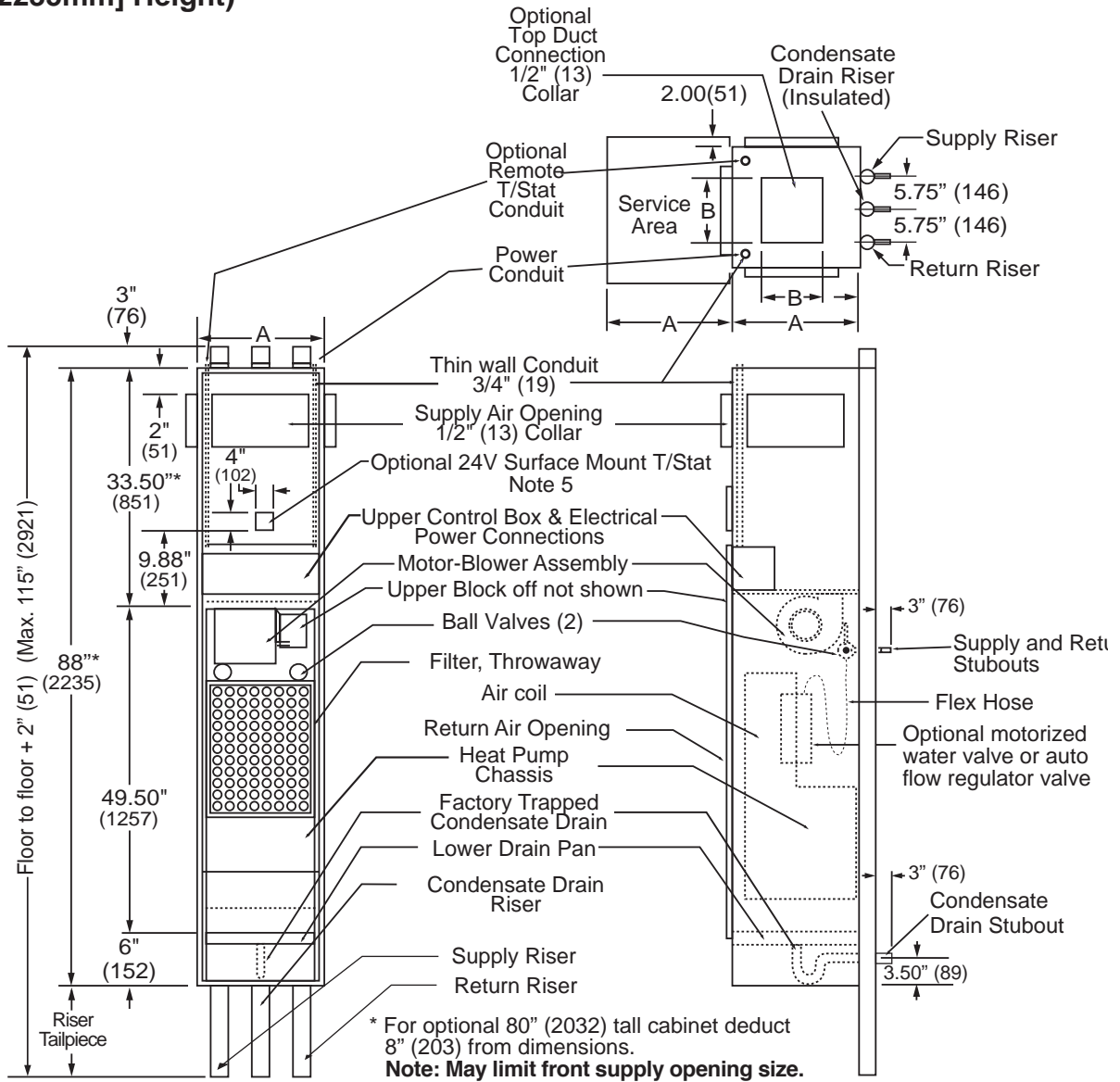
The riser compartment is defined as being the rear of each unit. Supply air grilles and return air/access panel can be any side except rear.
 ** C Dimension = 4-1/4" (92) for risers up to 2-1/2" (64) diameter. Consult factory for larger diameter risers.



Note: All measurements are in inches, millimeters are in parenthesis.



VHS Unit Dimensions
Master Unit, Furred In Cabinet
(88 in. [2235mm] Height)



Unit Size	A	B	C**
816-10	17 [432]	10 [254]	4-1/4 [92]
816-15	17 [432]	10 [254]	4-1/4 [92]
816-20	20 [508]	13 [330]	4-1/4 [92]
816-28	24 [610]	17 [432]	4-1/4 [92]
816-30	24 [610]	17 [432]	4-1/4 [92]
816-36	24 [610]	17 [432]	4-1/4 [92]

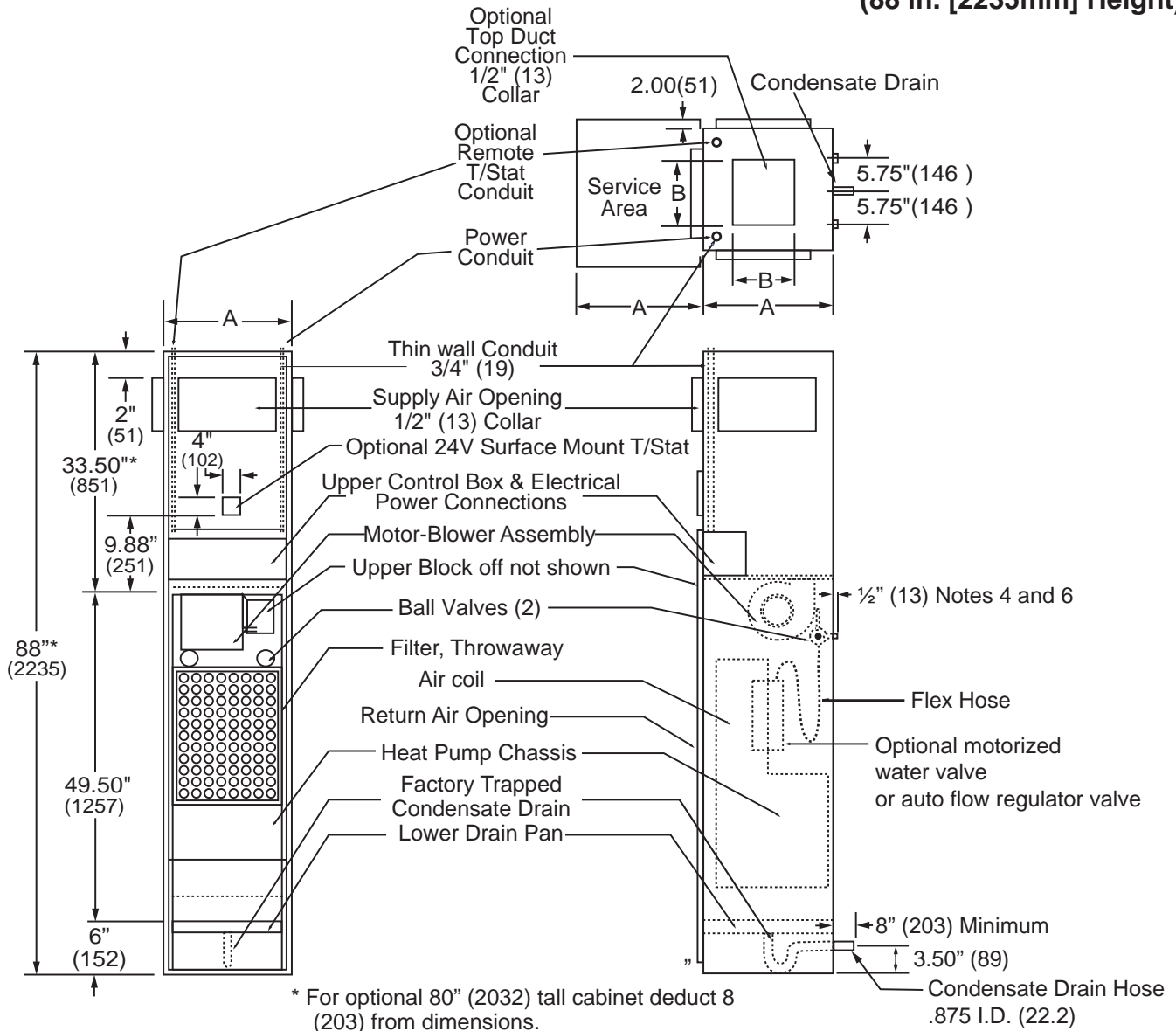
The riser compartment is defined as being the rear of each unit.
 Supply air grilles and return air/access panel can be any side except rear.
 Must provide crossover water piping from Master to Slave unit.
 Master unit has no riser chase.
 ** C Dimension = 4 1/4" (92) for risers up to 2 1/2" (64) diameter.
 Consult factory for larger diameter risers.

Note: All measurements are in inches, millimeters are in parenthesis.

ClimateMaster works continually to improve its products. As a result, the design and specifications of each product at the time of order may be changed without notice and may not be as described herein. Please contact ClimateMaster's Customer Service Department at 1-405-745-6000 for specific information on the current design and specifications. Statements and other information contained herein are not express warranties and do not form the basis of any bargain between the parties, but are merely ClimateMaster's opinion or commendation of its products. The latest version of this document is available at climatemaster.com.

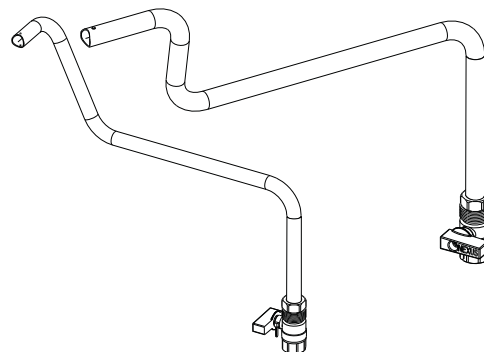


VHS Unit Dimensions Slave Unit, Furred In Cabinet (88 in. [2235mm] Height)



* For optional 80" (2032) tall cabinet deduct 8 (203) from dimensions.
Note: May limit front supply opening size.

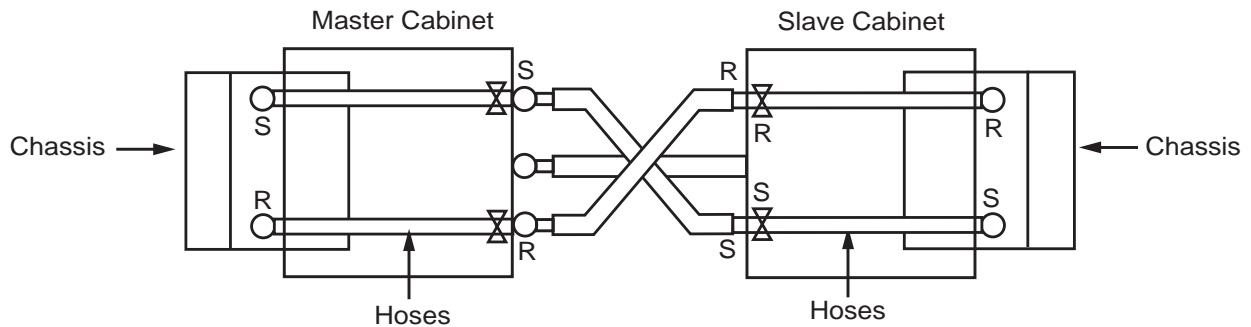
Unit Size	A	B
816-10	17 [432]	10 [254]
816-15	17 [432]	10 [254]
816-20	20 [508]	13 [330]
816-28	24 [610]	17 [432]
816-30	24 [610]	17 [432]
816-36	24 [610]	17 [432]



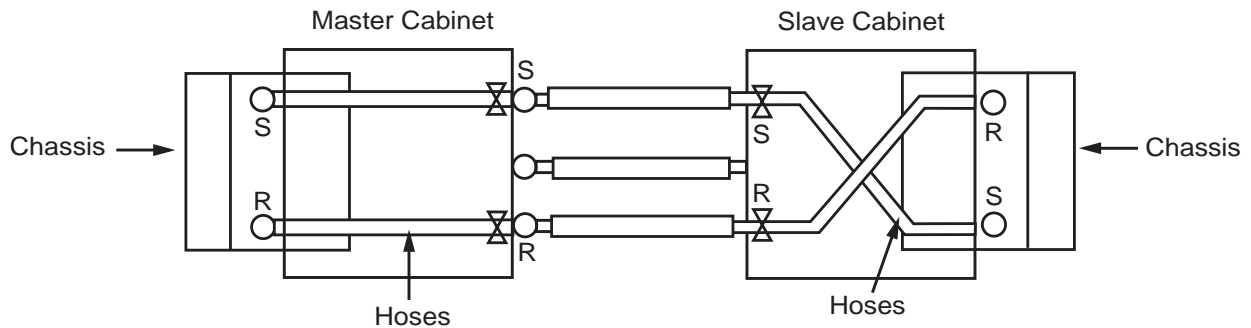
Ball Valve Package
(Notes 4 & 8) Right Return Shown

ClimateMaster works continually to improve its products. As a result, the design and specifications of each product at the time of order may be changed without notice and may not be as described herein. Please contact ClimateMaster's Customer Service Department at 1-405-745-6000 for specific information on the current design and specifications. Statements and other information contained herein are not express warranties and do not form the basis of any bargain between the parties, but are merely ClimateMaster's opinion or commendation of its products. The latest version of this document is available at climatemaster.com.

VHS Master-Slave Cabinet Connected



Option 1 - Cross field supplied piping between cabinets. Mark shutoffs inside slave cabinet. Run hoses straight across.



Option 2 - Field supplied and brazed piping to be straight across. Mark shutoffs inside slave cabinet. Cross hoses to chassis.

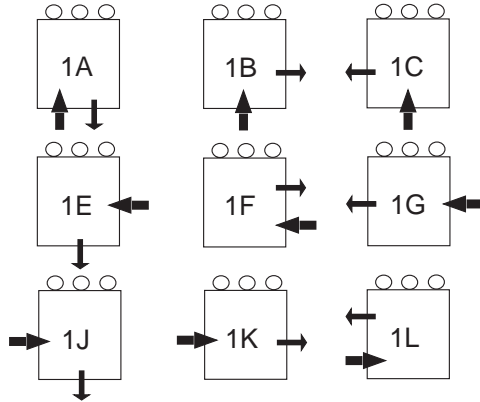
General Notes:

1. Distance between cabinets must suit local codes and installer.
2. Both cabinets must have shutoffs inside (factory standard).
3. Condensate drains are internally trapped. Do not trap or allow tubing to sag outside cabinet.
4. Chassis shown partway out of cabinet for clarity.
5. Field-supplied piping must have same or higher pressure rating as risers.

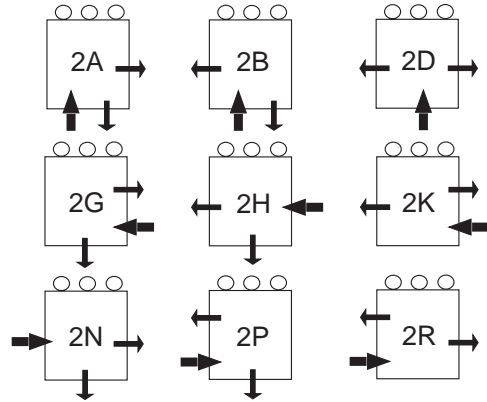


VHS Cabinet Configurations

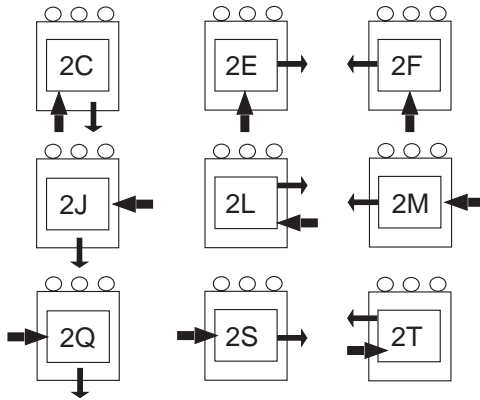
Single Supply - Side



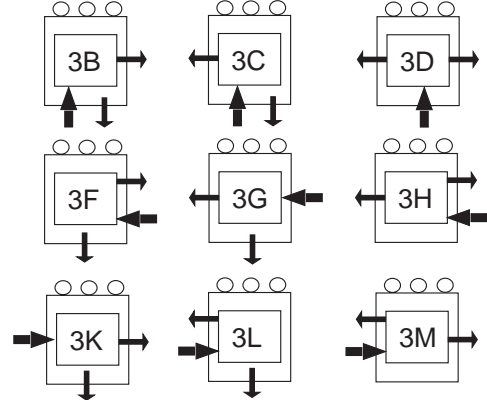
Double Supply - Side



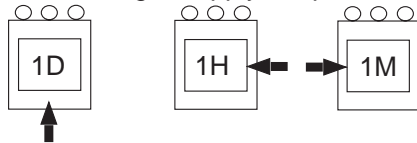
Double Supply - Top & Side



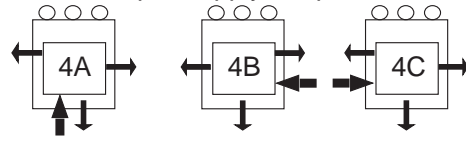
Triple Supply - Top & Sides



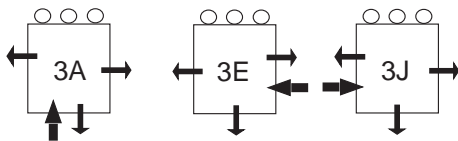
Single Supply - Top



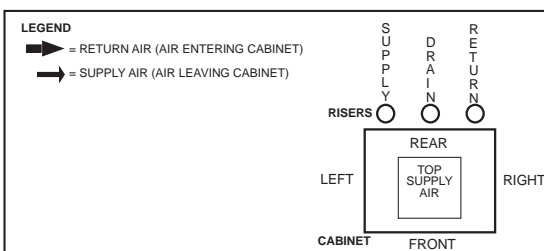
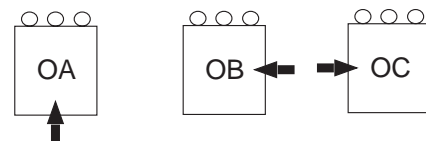
Quadruple Supply - Top & Sides



Triple Supply - Sides



No Supply - For Field Modification



NOTES:

- 1: The riser compartment is defined as being the rear of each unit. Supply air grilles and return air/access panel can be any side except rear.
- 2: Return air side also defines control location and service access.
- 3: Triple discharge openings are not recommended for sizes 816-10, & 15. Single discharge openings are not recommended for sizes 816-28, 30, & 36.
- 4: Solid plenum option for field conversion of discharge air arrangement is available.



Air Flow vs. Grille Selection

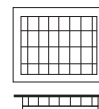
* Grilles are shipped loose for field installation after drywall has been applied to cabinets that are furred in.

** Grilles are brushed aluminum or painted (polar ice).

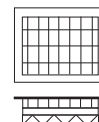
Single Deflection- Adjustable vertical blades for controlling horizontal path of discharge air.



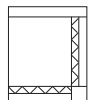
Double Deflection- Adjustable vertical and horizontal blades for controlling horizontal and vertical path of discharge air. (Recommended for all standard applications.)



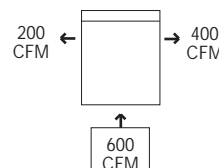
Double Deflection with Opposed Blade Damper- Addition of opposed blade damper to grille allows control of air volume (CFM) and path of discharge air. (Recommended for applications requiring unequal air flow or side discharge grille(s) with additional top discharge air opening.)



Unequal Air Flow- Air discharges requiring different air volumes (CFM). Use double deflection grilles with opposed blade damper.



Note: Units with adjacent grilles and opposed blade dampers may require special grilles. Consult factory with specific application.



Top Discharge- Units are designed to operate against relatively low air resistance (external static). Use of liberal duct sizing is recommended to maximize total unit air flow (CFM). Top duct outlet will offer more resistance to air flow than side outlets on the same cabinet. Therefore side outlet grille(s) must have opposed blade dampers to field balance the air flow.

Multiple Discharge/Top Grille & Opening Sizing When Air Flow Is Divided Equally

Multiple Discharge/Top Discharge Grille & Opening Sizing When Air Flow Is Divided Unequally

Unit Size	Single Discharge	Double Discharge	Triple Discharge
816-10	12" x 10" [305 x 254]	10" x 6" [254 x 152]	Not Recommended
816-15	12" x 12" [305 x 305]	10" x 8" [254 x 203]	Not Recommended
816-20	16" x 12" [406 x 305]	14" x 8" [356 x 203]	14" x 6" [356 x 152]
816-28	Not Recommended	16" x 10" [406 x 254]	16" x 6" [406 x 152]
816-30	Not Recommended	16" x 12" [406 x 305]	12" x 10" [305 x 254]
816-36	Not Recommended	16" x 14" [406 x 356]	16" x 10" [406 x 254]

Model	Specified Discharge CFM	Grille Selection Chart												Top Discharge Opening Size (Up to 100% Unit CFM)
		10" [254] Wide x			12" [305] Wide x			14" [356] Wide x		16" [406] Wide x				
		6"H	8"H	10"H	6"H	10"H	12"H	6"H	8"H	6"H	10"H	12"H	14"H	
10 15	100 - 150	X			X									10 x 10 [254 x 254]
	175 - 225		X											
	250 - 275			X		X								
20	150 - 200						X							13 x 13 [330 x 330]
	250 - 325							X						
	400 - 450									X				
28 30 36	200 - 275									X				17 x 17 [432 x 432]
	300 - 350				X									
	375 - 450										X			
	500 - 600											X		
	625 - 725											X		

ClimateMaster works continually to improve its products. As a result, the design and specifications of each product at the time of order may be changed without notice and may not be as described herein. Please contact ClimateMaster's Customer Service Department at 1-405-745-6000 for specific information on the current design and specifications. Statements and other information contained herein are not express warranties and do not form the basis of any bargain between the parties, but are merely ClimateMaster's opinion or commendation of its products. The latest version of this document is available at climatemaster.com.

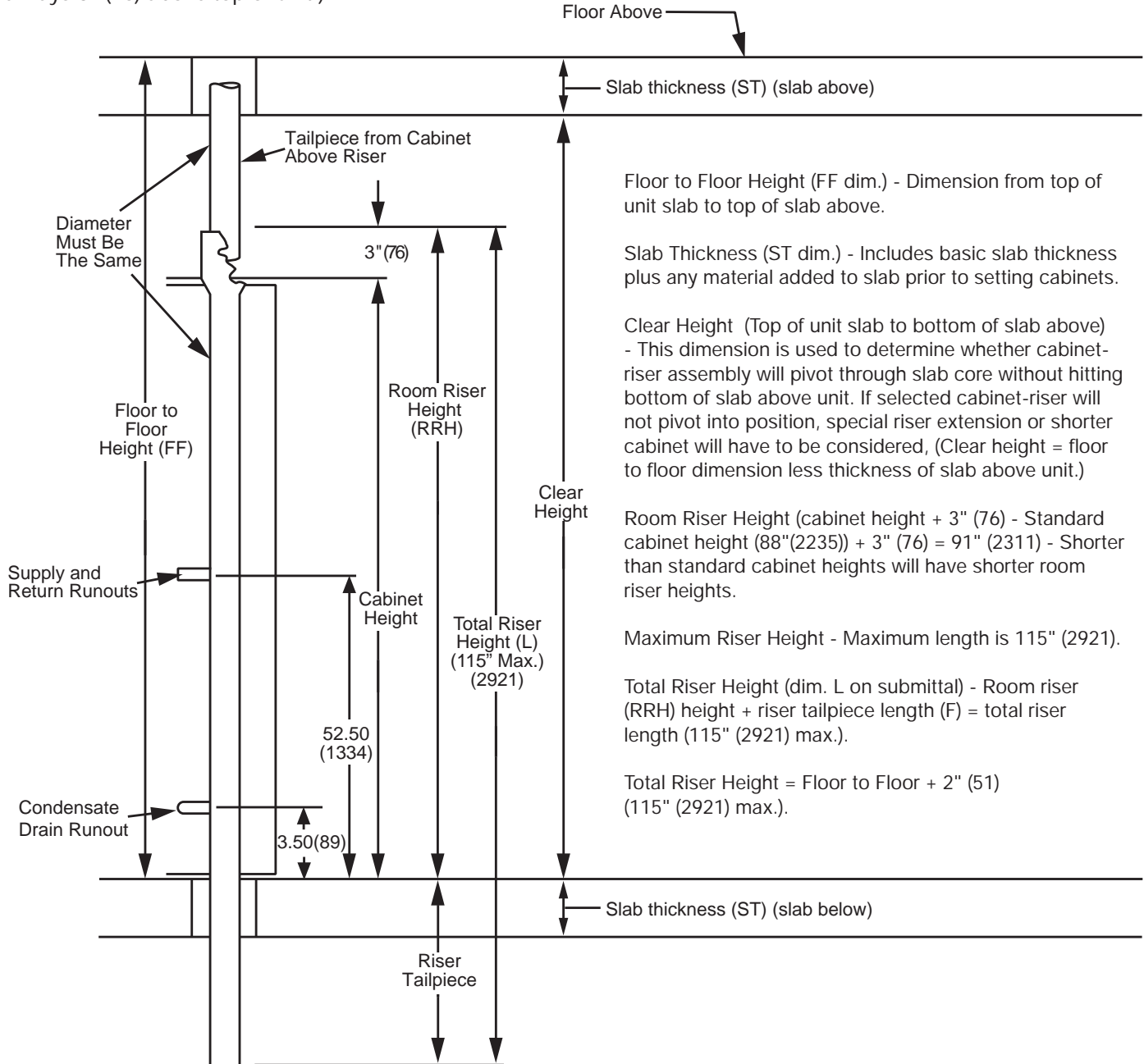


Riser Definitions

Riser Tailpiece (length of riser that extends down from cabinet bottom) -

Dimension F on submittal drawing- Riser tailpiece sized for 2" (51) insertion into 3" (76) expanded section at top of cabinet. Actual job fit may be 1" (25) to 3" (76) insertion (built-in +1" (25) floor to floor tolerance). Riser tailpiece should extend beneath bottom of slab a minimum of 5" (127) to facilitate brazing.

3" Expanded Section - Riser expanded at top of unit to accept a pipe diameter from unit above. (Top of riser always 3" (76) above top of unit.)



Floor to Floor Height (FF dim.) - Dimension from top of unit slab to top of slab above.

Slab Thickness (ST dim.) - Includes basic slab thickness plus any material added to slab prior to setting cabinets.

Clear Height (Top of unit slab to bottom of slab above) - This dimension is used to determine whether cabinet-riser assembly will pivot through slab core without hitting bottom of slab above unit. If selected cabinet-riser will not pivot into position, special riser extension or shorter cabinet will have to be considered, (Clear height = floor to floor dimension less thickness of slab above unit.)

Room Riser Height (cabinet height + 3" (76) - Standard cabinet height (88"(2235)) + 3" (76) = 91" (2311) - Shorter than standard cabinet heights will have shorter room riser heights.

Maximum Riser Height - Maximum length is 115" (2921).

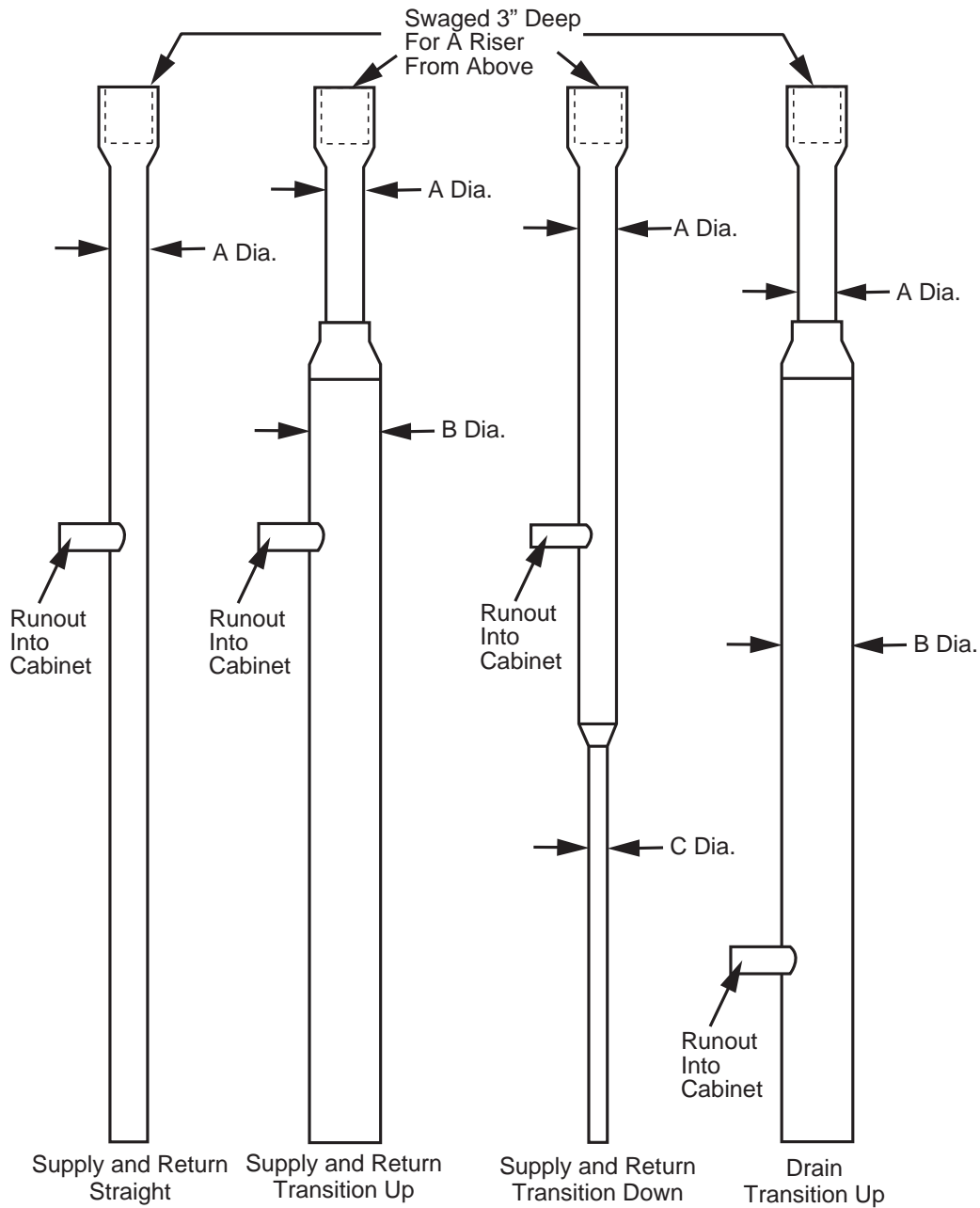
Total Riser Height (dim. L on submittal) - Room riser (RRH) height + riser tailpiece length (F) = total riser length (115" (2921) max.).

Total Riser Height = Floor to Floor + 2" (51) (115" (2921) max.).

Notes:

1. Dimensions are in inches (mm)
2. Standard Riser Dimensions - 1, 1¼, 1½, 2, 2½, 3. Type M or L available.
3. Drain Riser Insulated standard. Supply and Return Riser Insulated optional.

Riser Definitions



Notes

1. You must know water flow direction to determine if cabinet requires transition up or down.
2. Transitions can only change by one diameter (1" to 1¼", 1¼" to 1½", etc.)
3. Riser transition couplings and runouts are factory brazed.
4. All risers are factory pressure tested.
5. Standard riser diameters are 1", 1¼", 1½", 2", 2½" and 3".
6. Copper Type M and L available.
7. Drain riser insulated standard. Supply and return insulated optional.

A	1.00	1.25	1.50	2.00	2.50	3.00
B	1.25	1.50	2.00	2.50	3.00	-
C	-	1.00	1.25	1.50	2.00	2.50



Riser Arrangements Top Floor Units

1. All Risers Capped At Cabinet Run-Outs
 - System piping is bottom supply & return

Standard for bottom supply & return unless otherwise specified.



2. All Risers Open At Top
 - Bottom supply & return piping for supplying water to other units
 - Bottom supply & return piping for drain vent to roof, flushing crossover
 - Top supply & return piping

Standard for top supply & return unless otherwise specified.



3. Supply & Return Open, Drain Capped At Cabinet Run-Out
 - Bottom supply & return piping with open top for venting or flushing crossover
 - Top supply & return



4. Capped Supply and Return, Drain Open At Top
 - Bottom supply & return piping with open drain riser for venting to roof or picking up drain from other equipment above



5. Supply Or Return Open At Top, Others Capped At Cabinet Run- Out
 - Bottom supply & top return piping
 - Top supply & bottom return piping



Note: Check system flushing & air venting specifications.

Riser Arrangements Bottom Floor Units

1. All Riser Through Slab At Bottom

- Bottom supply & return
- Top supply & return feeding other equipment below

Standard for bottom supply & return unless otherwise specified.



2. Supply & Return Capped At Cabinet Run-Out, Drain Through Slab

- Top supply & return
- Supply & return mains above these units on "Between-Floors" main piping

Standard for top supply & return unless otherwise specified.



3. All Risers Capped At Cabinet Run-Out, Drain Through Slab

- Isolated unit top supply & return from adjacent riser with separate drain
- Check riser venting



4. Supply Or Return Capped At Cabinet Run-Out, Other Risers Extend Through Slab

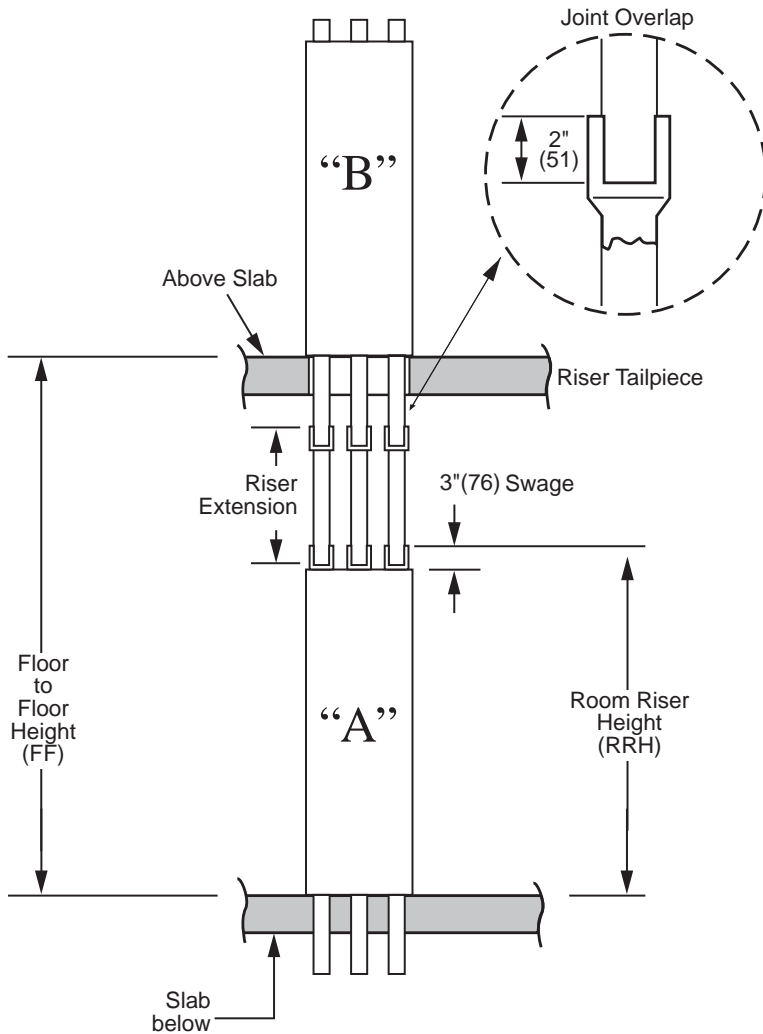
- Bottom supply, top return piping
- Bottom return, top supply piping



Note: Check system flushing and air venting specifications.



Riser Extension Sizing



Riser Tail Piece: Length of riser extending down from the cabinet. Riser tail piece must extend a minimum of 5" (127) below slab.

Room Riser Height (RRH): Cabinet height + 3" (76). Standard Cabinet is 88" (2235) + 3" (76) = 91" (2311).

Floor To Floor Height (FF): Distance from top of unit slab to top of above slab.

Riser Extension Length: Start with the floor to floor Dim. (FF) From this subtract the room riser height and tail piece length. Then add 4" (102) to the two joint overlaps.

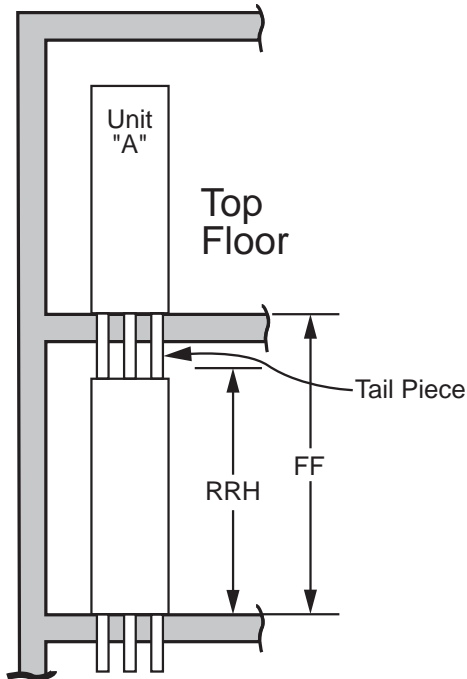
Riser Extension: $FF - (\text{tailpiece} + \text{RRH}) + 4" (102)$.

Example: Floor to floor (FF) = 120" (3048)
 Room Riser Height (RRH) = 91" (2311)
 Tail Piece = 13" (330).

Riser Extension: $120" (3048) - (13" (330) + 91" (2311)) + 4" (102) = 20" (508)$.

NOTE: Riser extensions are ordered for unit on floor above (example shown - riser extensions would be for Unit "B")

Riser Length Sizing



To determine the riser tail piece length of a unit (unit "A").

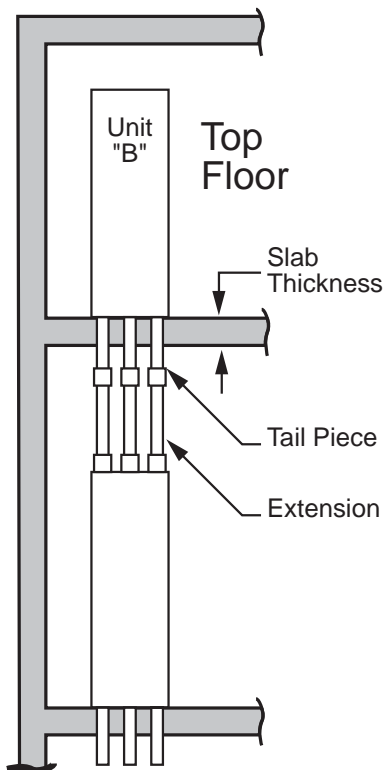
Riser Tail Piece (of unit A) = $FF - RRH + 2"$ (51).

RRH: Room riser height is cabinet height + 3" (76).

Standard cabinet height is 88" (2235).

RRH = $88" (2235) + 3" (76) = 91"$ (2311).

FF: Floor to Floor height is the dimension from the top of the slab above to the top of the slab below.



To determine the riser tail piece length of a unit (unit "B") that will require riser extensions to a unit below.

Minimum Tail Piece Length (of unit "B") = slab thickness + 5" (127).

To determine riser extensions lengths see Riser Extension Sizing.

Note: If riser length exceeds 115" (2921), riser extensions must be used. See Riser Extension Sizing. The riser tail piece must extend through the slab a minimum of 5" (127) to facilitate brazing. Special care must be taken in sizing riser lengths and tail piece lengths when:

- A) Riser extensions are used.
- B) Floor to floor heights vary.
- C) Slab thickness varies from floor to floor.

See Riser Arrangement for selection of top floor riser applications.



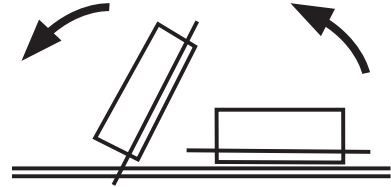
Cabinet Height & Slab Slot Size

To determine the slab slot size required for the risers and to determine if clear height is OK for unit installation, use the cabinet height and slab slot charts on the next page.

To use the charts you will need the clear height in the room the unit is in, size of unit, number of risers, riser dimensions and type of installation. (See below)

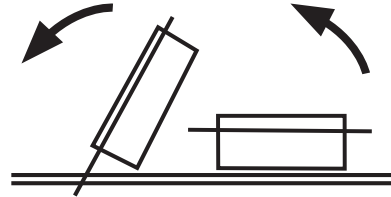
Type 1 Single Units

With a minimum clear height of 94" (2388). Start with the unit lying on the chase.



Type 2 Single Units

With a minimum clear height of 96" (2438). Start with the unit lying with the chase on top.



Type 3 Single

With a minimum clear height of 94" (2388). Start with the unit lying on its side as shown.



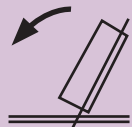
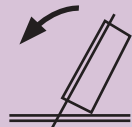
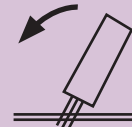
If any clear height is less than 96" (2438) check the minimum cabinet height and slot size chart to determine if the size unit you need will fit. If the standard 88" (2235) cabinet does not fit check the short 80" (2032) cabinet height and slot size chart. Call the factory if the short 80" (2032) cabinet does not fit. Check with the contractor for OK to use 80" (2032) cabinet.

Clear Height (swing height) = Floor to Floor Dimensions - Slab Thickness of Slab above the unit. $CH = FF - ST$.



Slab Slot Chart - 3 Pipe

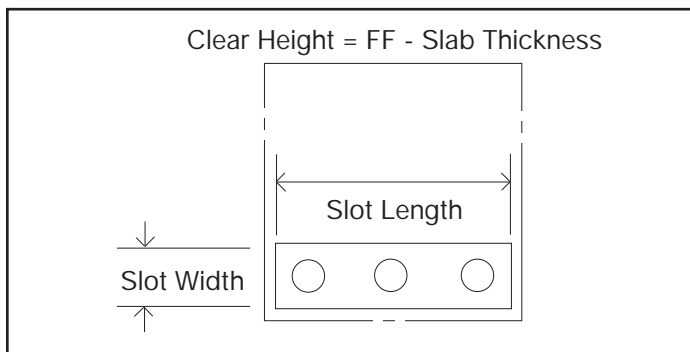
3 Pipe Standard 88" Cabinet

Model	Clear Height	Slab Slot Size		
		Type of Installation		
		Type 1	Type 2	Type 3
		 W x L	 W x L	 W x L
10 - 15	96	5 7/8" X 15" [149 X 381]	5 7/8" X 15" [149 X 381]	5" X 15" [127 X 381]
	95	6 1/4" X 15" [159 X 381]	5 3/8" X 15" [137 X 381]	5" X 15" [127 X 381]
	94	6 5/8" X 15" [168 X 381]	5 3/8" X 15" [137 X 381]	5" X 15" [127 X 381]
	93	7" X 15" [179 X 381]	Not Recommended	5" X 15" [127 X 381]
	92	7 1/2" X 15" [191 X 381]	Not Recommended	Not Recommended
20	96	6 1/4" X 18" [159 X 457]	5 1/8" X 18" [130 X 457]	5" X 18" [127 X 457]
	95	6 3/4" X 18" [171 X 457]	5 3/8" X 18" [137 X 457]	5" X 18" [127 X 457]
	94	7 1/8" X 18" [181 X 457]	Not Recommended	5" X 18" [127 X 457]
	93	7 5/8" X 18" [194 X 457]	Not Recommended	5" X 18" [127 X 457]
28 - 36	96	7" X 22" [178 X 559]	5 1/8" X 22" [130 X 599]	5" X 22" [149 X 599]
	95	7 1/2" X 22" [191 X 559]	Not Recommended	5" X 22" [149 X 599]
	94	8" X 22" [203 X 559]	Not Recommended	5" X 22" [149 X 599]
10 - 15	91 or less	Not Recommended	Not Recommended	Not Recommended
20	92 or less	Not Recommended	Not Recommended	5" X 18" [149 x 457]
28 - 36	93 or less	Not Recommended	Not Recommended	5" X 22" [127 x 599]

To use this chart look down the model column to find the model. Then look across to find the clear height. If your clear height exceeds 96" use the 96" slab slot size. Then under the type of installation read the slab slot size.

Above charts allow 1" tolerance in clear height to allow for variance in floor to floor dimensions.

Clear height is the floor to floor dimension of the floor the unit is on minus the slab thickness above.

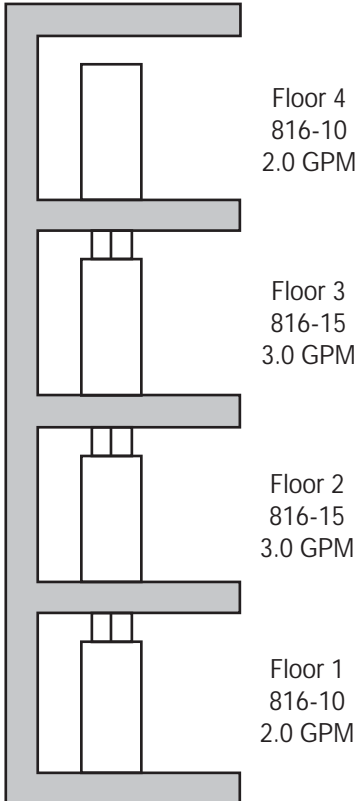




Riser GPM Sizing

Riser GPM requirements and individual Unit GPM requirements are necessary to select the proper Riser Piping diameters. Refer to this page to determine GPM requirement, then refer to Riser Diameter Sizing Table to determine Riser Piping diameters.

Example is for bottom supply - bottom return system feed loop. GPM's are dependent upon unit load and system loop water temperatures. Please refer to Performance Charts for individual Unit GPM requirements.



Unit GPM (UGPM) = Required gallon per minute from "Performance Charts," in "Vertical Stacked Design Guide."

Total Riser GPM (TRGPM) = The sum of, all Units, GPM on each Riser.

Total GPM Per Floor (TGF) = Total GPM minus the sum of Unit GPM from all floors below. $TGF = TRGPM - (\text{sum UGPM from units below})$.

Example: Four floors, Consisting of units sizes 816-10 and 816-15, as shown in diagram. GPM's are 2.0 and 3.0 respectively.

$TRGPM = 2.0 + 3.0 + 3.0 + 2.0 = 10 \text{ GPM}$.

Floor 4: $TGF = 10 - (3.0 + 3.0 + 2.0) = 2 \text{ GPM}$ needed at floor 4.

Floor 3: $TGF = 10 - (3.0 + 2.0) = 5 \text{ GPM}$ needed at floor 3.

Floor 2: $TGF = 10 - (2.0) = 8 \text{ GPM}$ needed at floor 2.

Floor 1: $TGF = 10 - (\text{no floors below}) = 10 \text{ GPM}$ needed at floor 1.

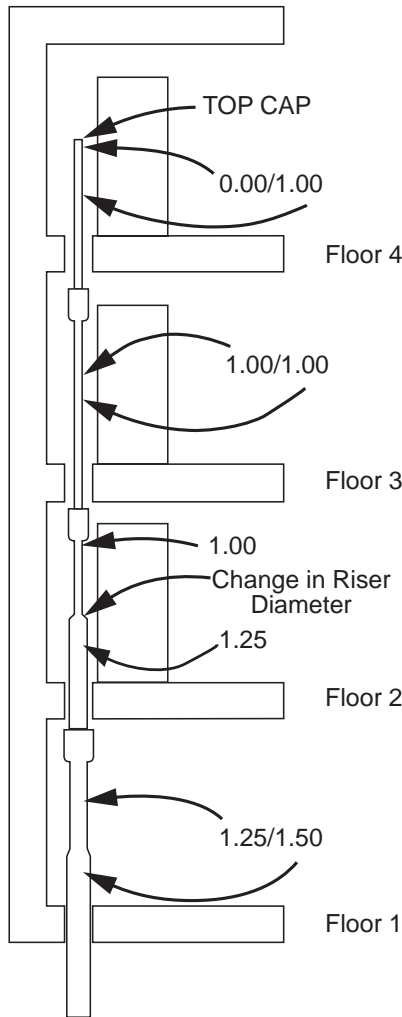
Refer to Riser Diameter Sizing page.



Riser Diameter Sizing

Refer to Riser GPM Sizing for the prefix to this example.

Each TRM Vertical Stack unit has three riser pipes. The following example will be for one riser pipe (from the top floor to the bottom floor), and will be representative of the remaining two riser pipes.



From Table 1 (below) determine the proper riser diameter needed to satisfy the required GPM's at each unit. Refer to Table 2 (below) for a summary.

The following nomenclature is used to designate the diameters at the top and bottom of each unit.

- Top Cap - Top half of riser is eliminated and sealed.
 - Bottom Cap - Bottom half of riser is eliminated and sealed.
 - 0.00/1.00 - Indicates top cap/1" bottom.
 - 1.00/1.25 - Indicates 1" top/1.25" bottom.
 - 1.25/0.00 - Indicates 1.25" top/bottom cap.
- (from this we develop Table 3)

Note: Transitions limited to 1 nominal diameter size larger or smaller within each floor.

Values from Table 3 are to be entered on the Riser Piping Schedule. Top diameter must match bottom of floor above.

Table 1 (Max GPM for Frictional Loss = 4 PD FT/100 FT)

Maximum GPM	7	12	20	44	78	130
Nominal Riser Diameter	1"	1-1/4"	1-1/2"	2"	2-1/2"	3"

Table 2

Floor	GPM	Diameter From Table 1
4	2	1" [25.4]
3	5	1 [25.4]
2	8	1.25" [31.8]
1	14	1.50" [38.1]

Table 3

Nomenclature per Unit	Description
0.00/1.00	Top Cap, w/1" Bot Feed
1.00/1.00	1" Full Length Riser
1.00/1.25	1" Top, 1.25" to 1st Floor
1.25/1.50	1.25" Top, 1.50" Bottom

Table 4

Drain Diameter	Max Tonnage
1" [25 mm]	6
1¼" [32mm]	30
1½" [38mm]	50
2" [51mm]	150

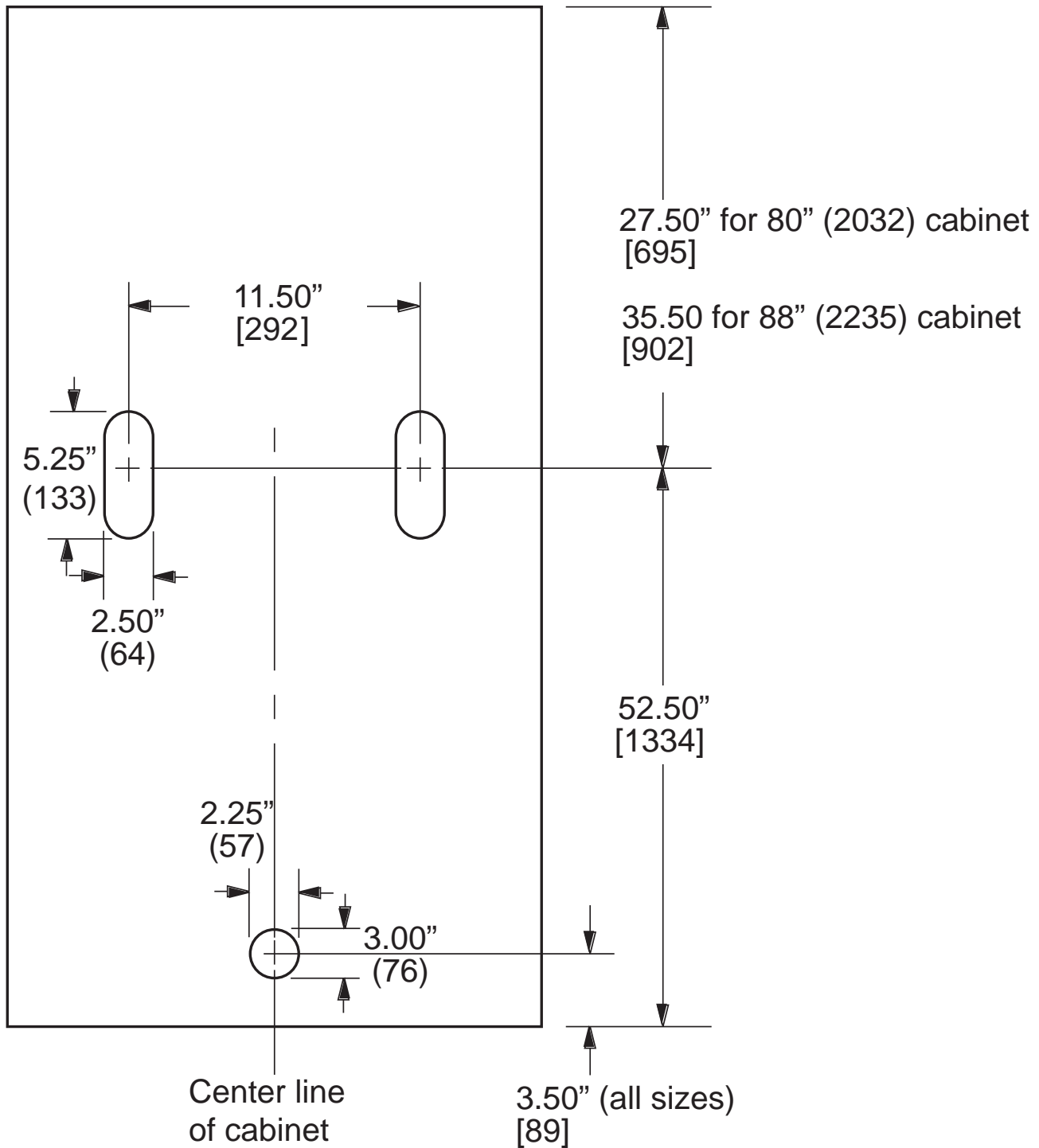
Values from Table 3 are to be entered on the Riser Piping Schedule. Top diameter must match bottom diameter of floor above.

Table 4 shows max A/C tonnage for drain riser diameter.

ClimateMaster works continually to improve its products. As a result, the design and specifications of each product at the time of order may be changed without notice and may not be as described herein. Please contact ClimateMaster's Customer Service Department at 1-405-745-6000 for specific information on the current design and specifications. Statements and other information contained herein are not express warranties and do not form the basis of any bargain between the parties, but are merely ClimateMaster's opinion or commendation of its products. The latest version of this document is available at climatemaster.com.



Riser Slot Arrangements



Slots allow for riser stack expansion and contraction. Riser stub should be centered in slot. Dimensions are inches [mm].

Shipping

Units Are Shipped FOB Factory

ClimateMaster Hi-Rise Cabinets are normally shipped to the jobsite on dedicated open flatbeds trailers, palletized for maximum shipping density, grouped together by building, size and floor where possible, wrapped and covered with tarp for protection (Figure 1). The size of each pallet depends upon the cabinet size and number of cabinets (Figure 2).

Special shipping accommodations can be provided by ClimateMaster. Examples might include:

- Closed truck or container shipping, on special end fork pallets.
- Reduced height, width or weight pallets.
- Unit grouped on pallets by riser instead of floor (for example, a retrofit job).
- Export or over-crating.
- Risers shipped separately from cabinets.

However, any such special shipping needs must be included with the order of the units. ClimateMaster will charge extra for any accommodations which significantly increase the cost of the shipment.

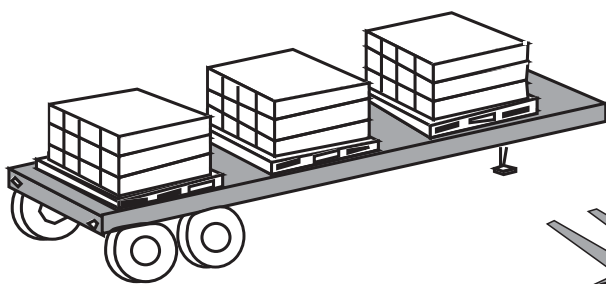


Figure 1.

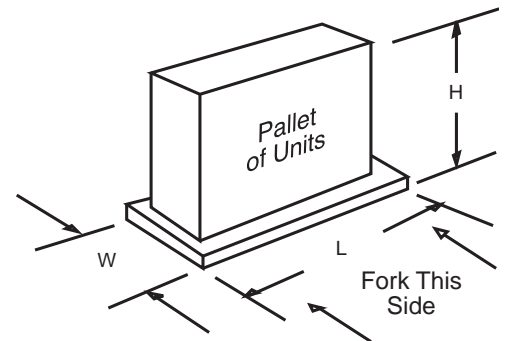
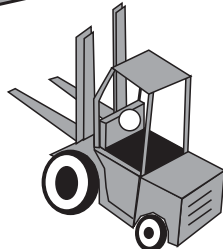


Figure 2.

Cabinet Size	# of Cabinets	L (in.)	W (in.)	H (in.)	Approx. Weight per pallet	Approx. Quantity per truck
10/15	4	106*	22	84	725	80
	8	106*	44	84	1450	80
20	4	106*	25	96	785	80
	8	106*	50	96	1570	80
28/30/36	3	106*	29	87	750	60
	6	106*	58	87	1500	60

* 106" for standard, 104" long risers (typically add 2" to riser length.)



Vertical High Rise - VHS Series Engineering Specifications Rev.: 05/29/09 Page 1

General:

Furnish and install ClimateMaster Water Source Heat Pumps, as indicated on the plans with capacities and characteristics as listed in the schedule and the specifications that follow.

Vertical Stack Water Source Heat Pumps:

Units shall be low range, 40° to 110°F (4.4° to 43.3°C) entering water temperature for low temperature application. Equivalent units from other manufacturers can be proposed provided approval to bid is given 10 days prior to bid closing. All equipment listed in this section must be rated and certified in accordance with American Refrigeration Institute / International Standards Organization (ARI / ISO) and Environmental Testing Laboratories for United States and Canada (ETL-US-C). The units shall have ARI / ISO and ETL-US-C labels. All cabinets shall be factory tested under normal operating conditions, risers shall be pressure tested and chassis shall be factory tested under normal operating conditions and water flow rates. **Units tested without water flow are not acceptable.**

Basic Construction:

The cabinet panels shall be fabricated from heavy gauge galvanized steel. The rigid one-piece cabinet shall be constructed so that it is self-supporting, and can be installed long before the chassis arrival, and to be able to avoid damage during construction. Top, base, fan deck, and other metal structural parts are to be 16 gauge construction, while exterior panels to be 20 gauge; unit further strengthened by structural breaks at corners. **Units not constructed of a minimum of these thicknesses are not acceptable. Cabinet shall have a top panel and a bottom panel for structural rigidity of the cabinet; no "open" top or "open" bottom designs allowed.**

The cabinet base shall contain a secondary drain pan fully insulated with a pressure differential drain trap connected to the condensate riser pipe, and guide rails for the slide in refrigeration chassis. Drain pan(s) shall be easily accessible for cleaning. All interior surfaces shall be lined with 1/2 inch (12.7mm) thick, dual density 1-3/4 lb/ft³ (28 kg/m³) acoustic type fiberglass insulation. All fiberglass shall be coated and have exposed edges butted up to flanges to prevent the introduction of glass fibers into the air stream.

Standard cabinet panel insulation must meet NFPA 90A requirements, air erosion and mold growth limits of UL-181, stringent fungal resistance test per ASTM-C1071 and ASTM G21, and shall meet zero level bacteria growth per ASTM G22. **Unit insulation must meet these stringent requirements or unit(s) will not be accepted.**

Cabinet arrangements shall allow symmetrical placement of riser piping on any of the three sides of the cabinet not used for the chassis access. All Cabinet openings shall have dry wall flanges on all sides. Supply air openings shall be factory cut and flanged as shown on plans. For air noise attenuation purposes, the discharge air from fan shall discharge into insulated plenum that also contains insulated air baffles at all cabinet supply air openings. **Units not having supply air noise baffles are not acceptable.** Cabinet design shall allow a full height base board (5 inches/127mm) beneath the chassis access. The cabinet shall contain an easily removable motor/blower assembly.

Full length supply, return, and insulated condensate water risers shall be type M copper with integral internal piping including ball valves (for shut off purposes at unit). Field installed hose kits are required to connect the chassis piping to the cabinet piping. The condensate riser shall be insulated with 3/8" (9.5mm) Armaflex type insulation. The top of each riser shall be deeply swaged (3 in./76.2mm) to accept connection to the riser above/below, allowing for a floor to floor dimensional variance of ± one inch (25.4mm). **Units not having swaged riser-piping connections shall not be acceptable. Couplings and trim pieces shall not be allowed.**

Option: Type L riser piping.

Option: Unit mounted Thermostat provisions -- includes insulated junction box mounted inside discharge plenum that is connected to Molex-type connector wired to unit thermostat terminals, and having tile ring on cabinet for drywall installation to accept thermostat mounting. Use part number A9155740, A9155741 or A9155727 thermostat assembly, which is thermostat model ATM11C11, ATA11C06 or ATA11C04, respectively with mating Molex-type connector.

Fan and Motor Assembly:

The cabinet shall contain a removable motor/blower assembly. Units shall have a direct drive centrifugal fan. The fan motor shall be 2 speed, permanently lubricated, PSC type with thermal overload protection. The fan motor shall be isolated from the fan housing by a torsionally flexible motor mounting system with rubber type grommets to inhibit vibration induced high noise levels associated with "hard wire belly band" motor mounting. Airflow/External static pressure rating of the unit shall be based on a wet coil and clean filter.



Vertical High Rise - VHS Series

Engineering Specifications Rev.: 05/29/09 Page 2

Option: High static motors.

Chassis:

The chassis, which incorporates the air coil, water coil, drain pan, and compressor, shall be easily installed for quick jobsite installation and future servicing purposes. The slide in chassis shall have an insulated panel separating the fan compartment from the compressor compartment. Compressors are not in the air stream. The chassis base shall be fabricated from heavy gauge galvanized steel formed to match the slide in rails of the cabinet. All electrical connections between the chassis and cabinet shall be made via locking quick-connects. Units shall have a factory installed 1 inch (25.4mm) thick filter bracket and throwaway type glass fiber filter. Furnish one spare set of filters.

Water connections between chassis and the cabinet shall be accomplished via a hose kit consisting of Kevlar-reinforced EPDM core hose surrounded by a stainless-steel braid. Hose kit shall have brass fittings with stainless-steel ferrules. Hose ends shall be solid External NPT which connects to mating fitting on cabinet shut off ball valve(s), and Internal NPSM (National Pipe Straight Mechanical) swivel end with fiber or EPDM washer which connects to mating threaded end connection on chassis. The hose kit shall be rated for 350 psi (2412 kPa) design working pressure.

Refrigerant Circuit:

Units shall have a sealed refrigerant circuit including a hermetic compressor, thermostatic expansion valve for refrigerant metering, an enhanced corrugated aluminum lanced fin and rifled copper tube refrigerant to air heat exchanger, a coaxial (tube in tube) refrigerant to water heat exchanger, and safety controls including a high pressure switch, low pressure switch (loss of charge), a high level condensate sensor, water coil low temperature sensor, and air coil low temperature sensor. Access fittings shall be factory installed on high and low pressure refrigerant lines to facilitate field service. Activation of any safety device shall prevent compressor operation via a microprocessor lockout circuit. The lockout shall be reset at the thermostat or disconnect switch. **Units that cannot be reset at the thermostat shall not be acceptable.**

Hermetic compressors shall be internally sprung and externally isolated (with computer selected spring isolation). Compressor shall have thermal overload protection. Compressor shall be located in an insulated compartment away from air stream to minimize sound transmission. All units (except units with rotary compressors) shall include a discharge muffler to further enhance sound attenuation.

Refrigerant to air heat exchangers shall utilize enhanced corrugated lanced aluminum fins and rifled copper tube construction rated to withstand 450 PSIG (3101 kPa) refrigerant working pressure. Refrigerant to water heat exchangers shall be of copper inner water tube and steel refrigerant outer tube design, rated to withstand 450 PSIG (3101 kPa) working refrigerant pressure and 450 PSIG (3101 kPa) working water pressure. The refrigerant to water heat exchanger shall be "electro-coated" with a low cure cathodic epoxy material a minimum of 0.4 mils thick (0.4 – 1.5 mils range) on all surfaces. The black colored coating shall provide a minimum of 1000 hours salt spray protection per ASTM B117-97 on all external steel and copper tubing. The material shall be formulated without the inclusion of any heavy metals and shall exhibit a pencil hardness of 2H (ASTM D3363-92A), crosshatch adhesion of 4B-5B (ASTM D3359-95), and impact resistance of 160 in-lbs (184 kg-cm) direct (ASTM D2794-93).

Refrigerant metering shall be accomplished by thermostatic expansion valve only. Expansion valves shall be dual port balanced types with external equalizer for optimum refrigerant metering. Reversing valve shall be four-way solenoid activated refrigerant valve, which shall default to heating mode should the solenoid fail to function. If the reversing valve solenoid defaults to cooling mode, an additional low temperature thermostat must be provided to prevent over-cooling an already cold room.

Option: The refrigerant to air heat exchanger shall be "electro-coated" with a low cure cathodic epoxy material a minimum of 0.4 mils thick (0.4 – 1.5 mils range) on all surfaces. The black colored coating shall provide a minimum of 1000 hours salt spray protection per ASTM B117-97 on all galvanized end plates and copper tubing, and a minimum of 2000 hours of salt spray on all aluminum fins. The material shall be formulated without the inclusion of any heavy metals and shall exhibit a pencil hardness of 2H (ASTM D3363-92A), crosshatch adhesion of 4B-5B (ASTM D3359-95), and impact resistance of 160 in-lbs (184 kg-cm) direct (ASTM D2794-93).

Option: The unit will be supplied with cupro nickel coaxial water to refrigerant heat exchanger.

Option: The unit will be supplied with internally factory mounted two-way water valve for variable speed pumping requirements. A factory-mounted or field-installed high pressure switch shall be installed in the water piping to disable compressor operation in the event water pressures build due to water freezing in the piping system.



Vertical High Rise - VHS Series Engineering Specifications Rev.: 05/29/09 Page 3

Option: The unit will be supplied with internally factory mounted automatic water flow regulators.

Option: The unit will be supplied with internally mounted secondary pump for primary/secondary applications.

Cabinet Drain Pan:

The drain pan shall be constructed of galvanized steel and have a powder coat paint application to further inhibit corrosion. This corrosion protection system shall meet the stringent 1000 hour salt spray test per ASTM B117. If plastic type material is used, it must be HDPE (High Density Polyethylene) to avoid thermal cycling shock stress failure over the lifetime of the unit. Stainless Steel materials are also acceptable. Drain pan shall be fully insulated. Drain pan shall have at a minimum a doubled sloped surface to allow positive drainage to the outlet opening, which shall be at the lowest level of the entire pan surface. Drain outlet shall be connected from pan outlet to condensate riser (if supplied) with factory installed trap inside of cabinet. The unit as standard will be supplied with solid-state electronic condensate overflow protection. **Mechanical float switches will NOT be accepted.**

Electrical:

A control box shall be located within the unit compressor compartment and shall contain a 50VA transformer, 24 volt activated, 2 or 3 pole compressor contactor, terminal block for thermostat wiring and solid-state controller for complete unit operation. Reversing valve and fan motor wiring shall be routed through this electronic controller. Units shall be name-plated for use with time delay fuses or HACR circuit breakers. Unit controls shall be 24 Volt and provide heating or cooling as required by the remote thermostat / sensor.

Option: Disconnect Switch, Non-Fused

Option: Circuit Breaker

Solid State Control System (CXM):

Units shall have a solid-state control system. **Units utilizing electro-mechanical control shall not be acceptable.** The control system microprocessor board shall be specifically designed to protect against building electrical system noise contamination, EMI, and RFI interference. The control system shall interface with a heat pump type thermostat. The control system shall have the following features:

- a. Anti-short cycle time delay on compressor operation.
- b. Random start on power up mode.
- c. Low voltage protection.
- d. High voltage protection.
- e. Unit shutdown on high or low refrigerant pressures.
- f. Unit shutdown on low water temperature.
- g. Condensate overflow electronic protection.
- h. Option to reset unit at thermostat or disconnect.
- i. Automatic intelligent reset. Unit shall automatically reset the unit 5 minutes after trip if the fault has cleared. If a fault occurs 3 times sequentially without thermostat meeting temperature, then lockout requiring manual reset will occur.
- j. Ability to defeat time delays for servicing.
- k. Light emitting diode (LED) on circuit board to indicate high pressure, low pressure, low voltage, high voltage, low water/air temperature cut-out, condensate overflow, and control voltage status.
- l. The low-pressure switch shall not be monitored for the first 120 seconds after a compressor start command to prevent nuisance safety trips.
- m. 24V output to cycle a motorized water valve or other device with compressor contactor.
- n. Unit Performance Sentinel (UPS). The UPS warns when the heat pump is running inefficiently.
- o. Water coil low temperature sensing (selectable for water or anti-freeze).
- p. Air coil low temperature sensing.

NOTE: Units not providing the 8 safety protections of anti-short cycle, low voltage, high voltage, high refrigerant pressure, low pressure (loss of charge), air coil low temperature cut-out, water coil low temperature cut-out, and condensate overflow protections will not be accepted.

Option: Enhanced solid state control system (DXM)

This control system features two stage control of cooling and two stage control of heating modes for exacting temperature and dehumidification purposes.



Vertical High Rise - VHS Series

Engineering Specifications Rev.: 05/29/09 Page 4

This control system coupled with a multi-stage thermostat will better dehumidify room air by automatically running the heat pump's fan at lower speed on the first stage of cooling thereby implementing low sensible heat ratio cooling. On the need for higher cooling performance the system will activate the second stage of cooling and automatically switch the fan to the higher fan speed setting. This system may be further enhanced with a humidistat. **Units not having automatic low sensible heat ratio cooling will not be accepted;** as an alternate a hot gas reheat coil may be provided with control system for automatic activation. Control shall have all of the above mentioned features of the CXM control system along with the following expanded features:

- a. Removable thermostat connector.
- b. Night setback control.
- c. Random start on return from night setback.
- d. Minimized reversing valve operation (Unit control logic shall only switch the reversing valve when cooling is demanded for the first time. The reversing valve shall be held in this position until the first call for heating, ensuring quiet operation and increased valve life.)
- e. Override temperature control with 2-hour (adjustable) timer for room occupant to override setback temperature at the thermostat.
- f. Dry contact night setback output for digital night setback thermostats.
- g. Ability to work with heat pump or heat/cool (Y, W) type thermostats.
- h. Ability to work with heat pump thermostats using O or B reversing valve control.
- i. Emergency shutdown contacts.
- j. Boilerless system heat control at low loop water temperature.
- k. Ability to allow up to 3 units to be controlled by one thermostat.
- l. Relay to operate an external damper.
- m. Ability to automatically change fan speed from multistage thermostat.
- n. Relay to start system pump.
- o. 75 VA control transformer. Control transformer shall have load side short circuit and overload protection via a built in circuit breaker.

Remote Service Sentinel (CXM/DXM):

Solid state control system shall communicate with thermostat to display (at the thermostat) the unit status, fault status, and specific fault condition, as well as retrieve previously stored fault that caused unit shutdown. The Remote Service Sentinel allows building maintenance personnel or service personnel to diagnose unit from the wall thermostat. The control board shall provide a signal to the thermostat fault light, indicating a lockout. Upon cycling the G (fan) input 3 times within a 60 second time period, the fault light shall display the specific code as indicated by a sequence of flashes. A detailed flashing code shall be provided at the thermostat LED to display unit status and specific fault status such as over/under voltage fault, high pressure fault, low pressure fault, low water temperature fault, condensate overflow fault, etc. **Units that do not provide this remote service sentinel shall not be acceptable.**

Option: Lonworks interface system

Units shall have all the features listed above (either CXM or DXM) and the control board will be supplied with a LONWORKS interface board, which is LONMark certified. This will permit all units to be daisy chained via a 2-wire twisted pair shielded cable. The following points must be available at a central or remote computer location:

- a. Space temperature
- b. Leaving water temperature
- c. Discharge air temperature
- d. Command of space temperature setpoint
- e. Cooling status
- f. Heating status
- g. Low temperature sensor alarm
- h. Low pressure sensor alarm
- i. High pressure switch alarm
- j. Condensate sensor alarm
- k. Hi/low voltage alarm
- l. Fan "ON/AUTO" position of space thermostat as specified above
- m. Unoccupied / occupied command
- n. Cooling command
- o. Heating command
- p. Fan "ON / AUTO" command



Vertical High Rise - VHS Series Engineering Specifications Rev.: 05/29/09 Page 5

- q. Fault reset command
- r. Itemized fault code revealing reason for specific shutdown fault (any one of 7)

This option also provides the upgraded 75VA control transformer with load side short circuit and overload protection via a built in circuit breaker.

Option: MPC (Multiple Protocol Control) interface system

Units shall have all the features listed above (either CXM or DXM) and the control board will be supplied with a Multiple Protocol interface board. Available protocols are BACnet MS/TP, Modbus, or Johnson Controls N2. The choice of protocol shall be field selectable/changeable via the use of a simple selector switch. Protocol selection shall not require any additional programming or special external hardware or software tools. This will permit all units to be daisy chain connected by a 2-wire twisted pair shielded cable. The following points must be available at a central or remote computer location:

- a. Space temperature
- b. Leaving water temperature
- c. Discharge air temperature
- d. Command of space temperature setpoint
- e. Cooling status
- f. Heating status
- g. Low temperature sensor alarm
- h. Low pressure sensor alarm
- i. High pressure switch alarm
- j. Condensate overflow alarm
- k. Hi/low voltage alarm
- l. Fan "ON/AUTO" position of space thermostat as specified above
- m. Unoccupied / occupied command
- n. Cooling command
- o. Heating command
- p. Fan "ON / AUTO" command
- q. Fault reset command
- r. Itemized fault code revealing reason for specific shutdown fault (any one of 7)

This option also provides the upgraded 75VA control transformer with load side short circuit and overload protection via a built in circuit breaker.

Return Panel / Supply Grilles:

The return panel shall be architecturally designed, acoustic type, flush mounted with hinged door for easy and quick access to filter and unit interior. Chassis shall be easily removed. The hinged return panel shall be made of heavy gauge die formed galvanized steel with a powder coat finish in "polar ice" color. **Return air panels that protrude from wall more than 5/8 inch (15.9mm) are not acceptable.** Supply grille(s) shall be architecturally designed "brushed" aluminum or powder coated steel (color: polar ice).

Option: Supply grille with Double deflection damper style louvers.

Option: Style "H" Return air panel that allows outside air entry just behind panel on right or left side (Note: This option eliminates unit-mounted thermostat option).

Warranty:

Climate Master shall warranty equipment for a period of 12 months from start up or 18 months from shipping (which ever occurs first).

Option: Extended 4-year compressor warranty covers compressor for a total of 5 years.

Option: Extended 4-year refrigeration circuit warranty covers coils, reversing valve, expansion valve and compressor for a total of 5 years.

Option: Extended 4-year control board warranty covers the CXM/DXM control board for a total of 5 years.



Vertical High Rise - VHS Series

Engineering Specifications Rev.: 05/29/09 Page 6

FIELD INSTALLED OPTIONS

Hose Kits - AHH Series (required for field water connections):

Water connections between chassis and the cabinet shall be accomplished via a hose kit consisting of Kevlar-reinforced EPDM core hose surrounded by a stainless-steel braid. Hose kit shall have brass fittings with stainless-steel ferrules. Hose ends shall be solid External NPT which connects to mating fitting on cabinet shut off ball valve(s), and Internal NPSM (National Pipe Straight Mechanical) swivel end with fiber or EPDM washer which connects to mating threaded end connection on chassis. The hose kit shall be rated for 350 psi (2412 kPa) design working pressure. This hose kit accessory is required for each cabinet.

Thermostats:

The thermostat shall be a ClimateMaster mechanical or electronic type thermostat as selected below with the described features:

- a. Single Stage Standard Manual Changeover (ATM11C11)
Thermostat shall be a single-stage, horizontal mount, manual changeover with HEAT-OFF-COOL system switch and fan ON-AUTO switch. Thermostat shall have a mechanical temperature indicator and set point indication. Thermostat shall only require 4 wires for connection. Mercury bulb thermostats are not acceptable.
- b. Single Stage Digital Auto or Manual Changeover (ATA11U01)
Thermostat shall be a single-stage, digital, auto or manual changeover with HEAT-OFF-COOL-AUTO system switch and fan ON-AUTO switch. Thermostat shall have an LCD display with temperature and set-point(s) in °F or °C. The Thermostat shall provide permanent memory of set-point(s) without batteries. A fault LED shall be provided to display specific fault condition. Thermostat shall provide temperature display offset for custom applications.
- c. Single Stage Digital Automatic Changeover with Two-Speed Fan Control (ATA11C04) – DXM and PSC Fan required
Thermostat shall be a single-stage, digital, auto or manual changeover with HEAT-OFF-COOL-AUTO system switch, fan ON-AUTO switch, and fan LO-HI switch. Thermostat shall have an LCD display with temperature and set-point(s) in °F or °C. A fault LED shall be provided to display specific fault condition. Thermostat shall come standard with on board temperature sensor, but may be operated with remote sensor if desired via jumper configuration and remote sensor AST009.
- d. Multistage Digital Automatic Changeover (ATA22U01)
Thermostat shall be multi-stage (2H/2C), manual or automatic changeover with HEAT-OFF-COOL-AUTO system settings and fan ON-AUTO settings. Thermostat shall have an LCD display with temperature, set-point(s), mode, and status indication. The temperature indication shall be selectable for °F or °C. The thermostat shall provide permanent memory of set-point(s) without batteries. A fault LED shall be provided to indicate specific fault condition(s). Thermostat shall provide temperature display offset for custom applications. Thermostat shall allow unit to provide better dehumidification with optional DXM controller by automatically using lower fan speed on stage 1 cooling (higher latent cooling) as main cooling mode, and automatically shifting to high speed fan on stage 2 cooling.
- e. Single Stage Manual Changeover Programmable 5/2 Day (ATP11N01)
Thermostat shall be 5 day/2 day programmable (with up to 4 set points per day), single stage (1H/1C), manual changeover with HEAT-OFF-COOL system settings and fan ON-AUTO settings. Thermostat shall have an LCD display with temperature, set-point(s), mode, and status indication. The temperature indication shall be selectable for °F or °C. The thermostat shall provide permanent memory of set-point(s) without batteries. Thermostat shall provide convenient override feature to temporarily change set point.
- f. Multistage Automatic or Manual Changeover Programmable 5/2 Day (ATP21U01)
Thermostat shall be 5 day/2 day programmable (with up to 4 set points per day), multi-stage (2H/1C), automatic or manual changeover with HEAT-OFF-COOL-AUTO system settings and fan ON-AUTO settings. Thermostat shall have an LCD display with temperature, set-point(s), mode, and status indication. The temperature indication shall be selectable for °F or °C. The thermostat shall provide permanent memory of set-point(s) without batteries. Thermostat shall provide convenient override feature to temporarily change set point.
- g. Multistage Automatic or Manual Changeover Programmable 7 Day (ATP32U01)
Thermostat shall be 7 day programmable (with up to 4 set points per day), multi-stage (3H/2C), automatic or manual changeover with HEAT-OFF-COOL-AUTO system settings and fan ON-AUTO settings. Thermostat shall have a blue backlit dot matrix LCD display with temperature, set-points, mode, and status indication. The temperature indication shall be selectable for °F or °C. Time display shall be selectable for 12 or 24 hour clock. Fault identification shall be provided (when used with ClimateMaster CXM or DXM controls) to simplify troubleshooting by providing specific unit fault at the thermostat with red backlit LCD during unit lockout. The thermostat shall provide permanent memory of set-points without batteries. Thermostat shall provide heating set-point range limit, cooling set-point range limit, temperature display offset, keypad lockout, dead-band range setting, and inter-stage differential settings. Thermostat shall provide progressive recovery to anticipate time required to bring space temperature to the next programmed event. Thermostat shall provide an installer setup for configuring options and for setup of servicing contractor name and contact information. Thermostat shall allow the use of an accessory remote and/or outdoor temperature sensor (AST008). Thermostat navigation shall be accomplished via



Vertical High Rise - VHS Series Engineering Specifications Rev.: 05/29/09 Page 7

- five buttons (up/down/right/left/select) with menu-driven selections for ease of use and programming.
- h. Multistage Automatic or Manual Changeover Programmable 7 Day with Humidity Control (ATP32U02)
Thermostat shall be 7 day programmable (with up to 4 set points per day), multi-stage (3H/2C), automatic or manual changeover with HEAT-OFF-COOL-AUTO system settings and fan ON-AUTO settings. Separate dehumidification and humidification set points shall be configurable for discreet outputs to a dehumidification option and/or an external humidifier. Installer configuration mode shall allow thermostat dehumidification mode to operate with ClimaDry reheat or with ECM fan dehumidification mode via settings changes. Thermostat shall have a blue backlit dot matrix LCD display with temperature, relative humidity, set-points, mode, and status indication. The temperature indication shall be selectable for °F or °C. Time display shall be selectable for 12 or 24 hour clock. Fault identification shall be provided (when used with ClimateMaster CXM or DXM controls) to simplify troubleshooting by providing specific unit fault at the thermostat with red backlit LCD during unit lockout. The thermostat shall provide permanent memory of set-points without batteries. Thermostat shall provide heating set-point range limit, cooling set-point range limit, temperature display offset, keypad lockout, dead-band range setting, and inter-stage differential settings. Thermostat shall provide progressive recovery to anticipate time required to bring space temperature to the next programmed event. Thermostat shall provide an installer setup for configuring options and for setup of servicing contractor name and contact information. Thermostat shall allow the use of an accessory remote and/or outdoor temperature sensor (AST008). Thermostat navigation shall be accomplished via five buttons (up/down/right/left/select) with menu-driven selections for ease of use and programming.

DDC Sensors:

ClimateMaster wall mounted DDC sensor to monitor room temperature and interfaces with optional interface system described above. Several types as described below:

- a. Sensor only with no display (LON and MPC).
- b. Sensor with override (LON only).
- c. Sensor with setpoint and adjustment override (MPC only).
- d. Sensor with setpoint and adjustment override, LCD display, status/fault indication (LON and MPC).

Revision History

Date:	Item:	Action:
29 May, 2009	Stand-Alone and Big Book Submittals	Consolidated
29 May, 2009	Engineering Specifications	Verbiage Updated
27 Oct, 2008	Blower Performance Data	Notes Updated
26 Aug, 2008	Physical Data Table	Max Working Pressure Table Added
30 May, 2008	MWW Pressure Drop Data	Updated
19 April, 2007	Table of Contents	Added Table of Contents
19 April, 2007	Specifications	Updated Specifications for new Safety Agency
16 Nov, 2006	Electrical Data	Updated to new format
16 Nov, 2006	Performance Data	Added new rated voltage note
16 Nov, 2006	Decoders	Updated Cabinet and Chassis decoders
19 July, 2006	Specifications	Updated thermostat offering
19 July, 2006	Wiring Diagram	Added pressure switch for motorized water valve option
19 July, 2006	Motorized Valve	Updated Cv, MOPD, and WPD values
19 July, 2006	Performance Data	Added low temperature selection notes
23 Dec, 2005	Motorized Valve	Updated Cv, MOPD, and WPD values
30 Nov, 2005	Various	Formatting changes
17 Aug, 2005	Performance Data	Added verbiage to airflow description
17 Aug, 2005	Correction Tables	Changed "Nominal" to "Rated"
17 Aug, 2005	Blower Performance	Updated minimum CFM
17 Aug, 2005	Physical Data	Added weights
17 Aug, 2005	Typical Unit - Exploded View	Updated verbiage, added drawing of optional cabinet stand
17 Aug, 2005	Hose Kits	New section
17 Aug, 2005	"G" Panel Isometric	Removed bottom mounting bracket
17 Aug, 2005	"G" Panel Optional Locks	New section
17 Aug, 2005	"H" Panel Isometric	Added additional detail
17 Aug, 2005	"H" Panel Top View	Added additional detail
17 Aug, 2005	Specifications	Updated for mufflers; updated CXM verbiage
17 Aug, 2005	Added Change Log	