

Auto Dialer Installation Instructions

This Auto Dialer is a single channel voice dialer that can be used with any device that can provide a normally open or normally closed contact. The Auto Dialer can be programmed to store up to four numbers to dial, including standard (voice) telephones, most cellular telephones, and pagers. The Auto Dialer will deliver a recorded message for up to 16 seconds.

Note: The Auto Dialer AVD-45b will attempt to deliver the outgoing message twice with a maximum of 10 attempts for each telephone number.

AUTO DIALER



- Non volatile (EEPROM) memory for voice message and telephone numbers.
- Calls up to four telephone numbers, any combination of telephone or pagers.
- Sends up to 16 second voice message to telephones or numeric code to pagers.
- Record your own message in any language.
- Easily change message and telephone numbers without a programmer.
- Voice chip technology (no tape required).
- Ability to program up to 10 (2-second) pauses and pound (#) for pager dialing.
- Dials each outgoing telephone number a maximum of 10 times.
- 2x16 character LCD window.
- Internal playback speaker for voice message.
- Programmable Exit and Entry delay.
- Internal 9V battery backup
- Works with PBX or regular telephone system.
- Tone or Pulse dialing. (Not intended for digital telephone lines.)
- NC, NO, momentary, continuous or voltage activation.
- Internal protection against transient overload conditions.

OPTIONS

- Home temperature monitor

PREVENTATIVE MAINTENANCE

- Periodically inspect the product. Check that the enclosure has not been damaged so as to impair the protection of the product. Replace the product immediately if any damage is found or suspected.
- Use only SJE-Rhombus[®] replacement parts.

SJE-RHOMBUS[®] ONE-YEAR LIMITED WARRANTY

SJE-RHOMBUS[®] warrants to the original consumer that this product shall be free of manufacturing defects for one year after the date of consumer purchase. During that time period and subject to the conditions set forth below, **SJE-RHOMBUS[®]** will repair or replace, for the original consumer, any component which proves to be defective due to defective materials or workmanship of **SJE-RHOMBUS[®]**.

THIS EXPRESS WARRANTY DOES NOT APPLY TO THE MOTOR START KIT COMPONENT. SJE-RHOMBUS[®] MAKES NO WARRANTIES OF ANY TYPE WITH RESPECT TO THE MOTOR START KIT.

ELECTRICAL WIRING AND SERVICING OF THIS PRODUCT MUST BE PERFORMED BY A LICENSED ELECTRICIAN.

THIS WARRANTY DOES NOT APPLY: (A) to damage due to lightning or conditions beyond the control of **SJE-RHOMBUS[®]**; (B) to defects or malfunctions resulting from failure to properly install, operate or maintain the unit in accordance with printed instructions provided; (C) to failures resulting from abuse, misuse, accident, or negligence; (D) to units which are not installed in accordance with applicable local codes, ordinances, or accepted trade practices, and (E) to units repaired and/or modified without prior authorization from **SJE-RHOMBUS[®]**.

Some states do not allow limitations on how long an implied warranty lasts, so the above limitation may not apply to you. Some states do not allow the exclusion or limitation of incidental or consequential damages, so the above limitation or exclusion may not apply to you. This warranty gives you specific legal rights, and you may also have other rights which vary from state to state.

TO OBTAIN WARRANTY SERVICE: The consumer shall assume all responsibility and expense for removal, reinstallation, and freight. Any item to be repaired or replaced under this warranty must be returned to **SJE-RHOMBUS[®]**, or such place as designated by **SJE-RHOMBUS[®]**.

ANY IMPLIED WARRANTIES OF MERCHANTABILITY OR FITNESS ARE LIMITED TO THE DURATION OF THIS WRITTEN WARRANTY. SJE-RHOMBUS[®] SHALL NOT, IN ANY MANNER, BE LIABLE FOR ANY INCIDENTAL OR CONSEQUENTIAL DAMAGES AS A RESULT OF A BREACH OF THIS WRITTEN WARRANTY OR ANY IMPLIED WARRANTY.

WARNING**ELECTRICAL SHOCK HAZARD**

Disconnect power before installing or servicing this product. A qualified service person must install and service this product according to applicable electrical and plumbing codes.

**WARNING****EXPLOSION OR FIRE HAZARD**

Do not use this product with flammable liquids. Do not install in hazardous locations as defined by National Electrical Code, ANSI/NFPA 70.



Failure to follow these precautions could result in serious injury or death. Replace product immediately if switch cable becomes damaged or severed. Keep these instructions with warranty after installation. This product must be installed in accordance with National Electric Code, ANSI/NFPA 70 so as to prevent moisture from entering or accumulating within boxes, conduit bodies, fittings, float housing, or cable.

For detailed specifications on this product, or for the complete line of SJE-Rhombus® panel, alarm, and switch products, visit our web site at www.sjrhombus.com.

Note: The Auto Dialer AVD-45b will attempt to deliver the outgoing message twice with a maximum of 10 attempts for each telephone number.

Note: This device should not be used for life saving applications.

INSTALLING THE AUTO DIALER

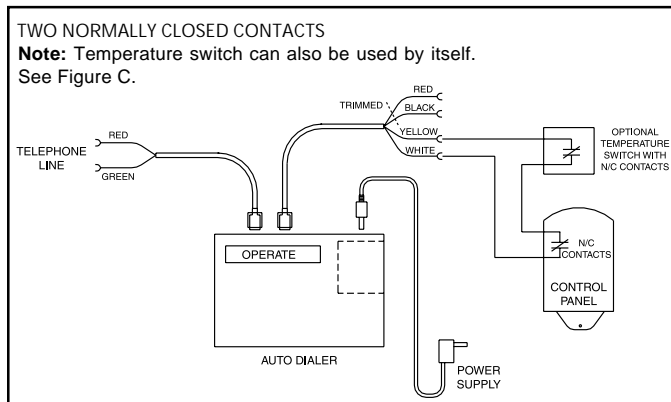
Note: These instructions are intended as a quick reference for the most common installation of the Auto Dialer when used with a control panel. For complete instructions, see the included **Installation and Instruction Manual for the Automatic Voice Dialer**. Before beginning installation, read the entire instruction manual for the AVD-45b Automatic Voice Dialer.

- Determine indoor mounting location for the Auto Dialer.
- If mounting the Auto Dialer to the wall, use the two supplied screws. Install the screws parallel and level 5 3/16 inches apart.
- Install the four conductor power/alarm cable into a control panel using only the white and yellow conductors. The conductors can be attached to normally open or normally closed contacts. **Note:** Trim the red and black conductors flush with outer jacket of the cable. (See Figures A & B for optional wiring methods.)
- Install the two conductor telephone cable by matching the appropriate colors to a telephone service or by installing an appropriate connector.
- Install the 9 VDC battery if backup power is desired. **Note:** The battery will supply approximately four hours of backup power. Replace battery yearly and after each power outage.
- Hang the auto dialer on the two mounting screws previously installed.
- Connect the phone cable and power/alarm cable to the auto dialer using the supplied connectors.
- Install the barrel connector on the power supply into the connection labeled **12V standby battery**.
- Plug the DC power supply into a standard outlet.

PROGRAMMING THE AUTO DIALER

- Program the Auto Dialer according to the **United Security Products Model AVD-45b Automatic Voice Dialer** instruction manual.
- Be sure to note if normally open or normally closed contacts are used to trigger the Auto Dialer. This will have to be programmed into the Auto Dialer.

FIGURE A



PROGRAMMING TIPS

- When programming for pagers, call the desired pager from the telephone number and telephone line that the Auto Dialer will be attached to. Record the time required for the pager service to answer. Use that time for programming the required number of pauses needed. Each pause is two seconds in length.
- If a cell phone does not ring before the Auto Dialer hangs up, program the cell phone number into the Auto Dialer with pauses after the number. **Note:** The number of pauses will depend on each cell phone and must be tested.
- If a delay is desired before the Auto Dialer calls out to help prevent nuisance calls, set the entry delay to "on" and the channel to "continuous" mode. This will require that channel activation to be tripped for 20 seconds before dialing out and remain activated throughout the dialing process.

TESTING THE AUTO DIALER

- All people or organizations should be notified that the auto dialer will be calling and the action you would like them to take.
- Apply power to the unit.
- Be sure an active telephone line and all wiring is connected to the auto dialer.
- Press the "M" key until "Operate" appears in the LCD.
- Trigger the signaling device to cause the auto dialer to call out.
- The auto dialer will dial the numbers stored in locations 1-4. The outgoing message will be delivered when the auto dialer receives an answer. For pager numbers, the pager code will be transmitted instead of the outgoing message.
- The auto dialer is now ready for operation.
- Test the Auto Dialer system once a month to insure the outgoing message is being sent and received.

FIGURE B

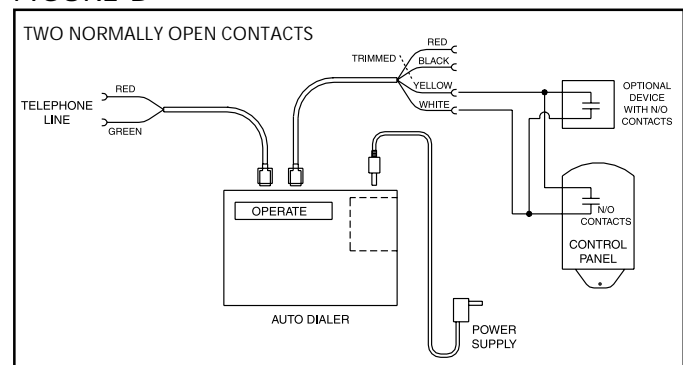
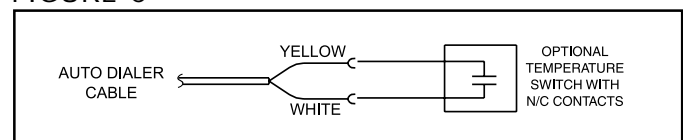


FIGURE C



SJE-Rhombus

CONTROLS

22650 County Highway 6 ■ P.O. Box 1708 ■ Detroit Lakes, Minnesota 56502 USA
1-888-DIAL-SJE (1-888-342-5753) ■ Phone: 218-847-1317 ■ Fax: 218-847-4617 ■ E-mail: sje@sjrhombus.com