

### Overview

The MXD-700 7" Modero X Series® Wall Mount Touch Panel features edge-to-edge capacitive touch glass with multi-touch capabilities as well as advanced technology empowering users to operate AV equipment seamlessly, while providing the ultimate in audio and video quality. The MXD-700 is available in Portrait and Landscape layouts:

Portrait	<b>MXD-700-P</b>	<b>FG5968-08</b>
Landscape	<b>MXD-700-L</b>	<b>FG5968-14</b>



**FIG. 1** MXD-700-P/L Wall Mount (Portrait and Landscape)

### Product Specifications

For a full listing of product specifications, refer to the *X-Series Touch Panels MXD/T-1000, MXD/T-700 & MXD-430 Instruction Manual* (available to view/download from [www.amx.com](http://www.amx.com)).

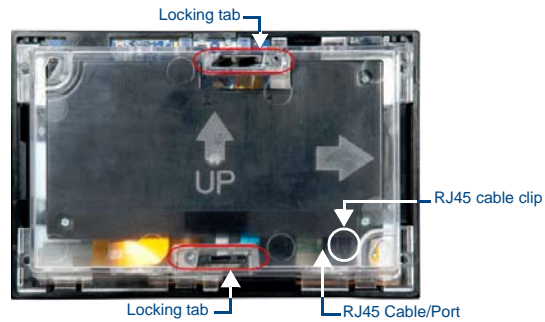
MXD-700 Specifications	
Dimensions (HWD)	<ul style="list-style-type: none"> <li>Landscape: 4 13/16" x 7 5/16" x 2 1/2" (122 mm x 186 mm x 63 mm)</li> <li>Portrait: 7 5/16" x 4 13/16" x 2 1/2" (186 mm x 122 mm x 63 mm)</li> </ul>
Weight	1.4 lbs (0.64 Kg)
Power Consumption	<ul style="list-style-type: none"> <li>Full-On: 8 W</li> <li>Standby: 3.2 W</li> <li>Shutdown: 1 W</li> <li>Start-Up Inrush Current: Not applicable due to PoE standard</li> </ul>
External Power Supply Required	Optimal performance requires use of one of the following AMX PoE power supplies (not included): <ul style="list-style-type: none"> <li>PS-POE-AF-TC, PoE Injector, 802.3AF Compliant (<b>FG423-83</b>)</li> <li>NXA-ENET8-2POE, Gigabit PoE Ethernet Switch (<b>FG2178-63</b>)</li> </ul>
Certifications	<ul style="list-style-type: none"> <li>UL 60950-1</li> <li>FCC Part 15 Class B</li> <li>C-Tick CISPR 22 Class B</li> <li>CE EN 55022, EN 55024 and EN 60950-1</li> <li>IEC 60950-1</li> <li>IC</li> <li>IEC/EN-60950</li> <li>RoHS/WEEE compliant</li> </ul>
Environmental	<ul style="list-style-type: none"> <li>Temperature (Operating): 32° F to 104° F (0° C to 40° C)</li> <li>Temperature (Storage): 4° F to 140° F (-20° C to 60° C)</li> <li>Humidity (Operating): 20% to 85% RH</li> <li>Humidity (Storage): 5% to 85% RH</li> <li>Power ("Heat") Dissipation:               <ul style="list-style-type: none"> <li>On: 18.5 BTU/hr</li> <li>Standby: 10.6 BTU/hr</li> </ul> </li> </ul>
Included Accessories	<ul style="list-style-type: none"> <li>MXA-USB-C, USB Port Cover Kit (<b>FG5968-18</b>)</li> <li>MXA-CLK, Modero X/S Series Cleaning Kit (<b>FG5968-16</b>)</li> <li>MXD-700 Installation Template</li> </ul>

**Note:** The **MXD-700-P-NC (FG5968-28)** and **MXD-700-L-NC (FG5968-29)** No Comm touch panels do not have microphone capability. These otherwise have all of the functionality of the MXD-700 panels.

### MXD-700 Installation

- For more detailed installation instructions including important notes on thermal concerns with Rack and Wall installations, refer to the *X-Series Touch Panels MXD/T-1000, MXD/T-700 & MXD-430 Instruction Manual* (available to view/download from [www.amx.com](http://www.amx.com)).
- Detailed specifications drawings for the MXD-700 are available to download from [www.amx.com](http://www.amx.com).

The MXD-700 may be installed directly into a solid surface environment, using either solid surface screws or the included locking tabs for different mounting options. Once installed, the MXD-700 is contained within a clear outer housing known as the Backbox (FIG. 2). The Backbox is removed to install it into a wall, or when using the optional Rough-In Box accessory (**FG039-18**).



**FIG. 2** MXD-700 Backbox (rear view)

**Note:** For typical mounting surfaces, such as drywall, use the locking tabs as the primary method for securing the Backbox to the surface. For thin walls or solid surfaces, use mounting screws (not included).

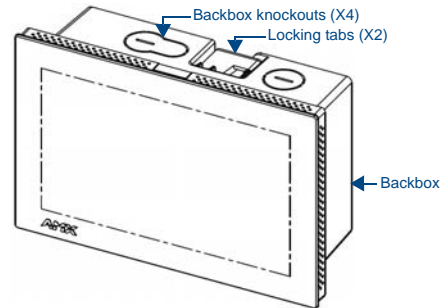
### Power Via PoE

Power for the MXD-700 is supplied via PoE (Power Over Ethernet), utilizing an AMX-certified, capacitive touch-compliant PoE injector or other approved AMX PoE power source. The incoming Ethernet cable should be connected to the RJ45 port on the MXD-700.

### Installing the MXD-700 Into a Wall

The MXD-700 comes with a clear plastic Backbox (designed to attach the panel to most standard wall materials). This Backbox has two locking tabs (one on top and one on bottom) to help lock the Backbox to the wall.

These locking tabs are only extended AFTER the Backbox is inserted into the wall (FIG. 3).



**FIG. 3** MXD-700 (Landscape)

- When installing the Backbox, make sure that the assembly is in the correct position and in the correct place. Once the locking tabs are extended and locked into place, removing the Backbox may be difficult without having access to the back of the wall or causing damage to the wall.
- In order to ensure a stable installation of the MXD-700, the thickness of the wall material must be a minimum of .50 inches (1.27cm) and a maximum of .875 inches (2.22cm). The mounting surface should also be smooth and flat.

### Installing the Backbox

For best results, use the included Installation Template (**68-5968-04**) to ensure proper placement. The template is marked on one side with directions for both landscape and portrait installations to ensure that the touch panel and Backbox are properly aligned.

**WARNING:** Using the Installation Template to select the final placement of the Backbox is highly recommended. The outside edges of the template are the same dimensions as the touch panel, which allows you to troubleshoot possible conflicts with wall edges, doors, and other potential obstacles.

- Prepare the area by removing any screws or nails from the drywall before beginning the cutout process.
- After ensuring proper placement, cut out the mounting surface for the Backbox, using the (included) Installation Template as a guide.
 

**CAUTION:** Making sure the actual cutout opening is slightly smaller than the provided dimensions is highly recommended. This provides a margin of error if the opening needs to be expanded. Too little wall material removed is always better than too much.
- Thread the incoming Ethernet cable through the surface opening (FIG. 4). Leave enough slack in the wiring to accommodate any re-positioning of the panel.
- Remove the Backbox knockouts and thread the incoming wiring through the knockout holes.
- Thread the incoming cables from the mounting surface opening and through the knockouts.

## Powering On/Off X Series Panels

Modero X Series touch panels may be powered on by touching and holding the *Sleep* button. To power off the panel, press and hold the Sleep button, and select **Power Off** on the on-screen menu (FIG. 6):

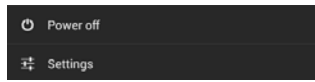


FIG. 6 Sleep Button - Press and hold to access Power Off/Settings options

## Configuration and Programming

X Series touch panels are equipped with a *Settings* menu that provides the ability to configure various features on the panels.

To access the *Settings* menu, press and hold the Sleep button, and select **Settings**.

**Note:** Information on the *Settings* menu, panel configuration, and programming is provided in the Modero X Series Programming Guide, available at [www.amx.com](http://www.amx.com).

### Setting the Panel's Device Number and Device Name

1. In the *Settings* menu, select **NetLinX**. This opens a password keypad.
2. Enter the panel password into the keypad (the default is **1988**) and select **OK** to access the *NetLinX* page.
3. Press **Device Number** to open the *NetLinX* editing window.
4. Enter a unique Device Number assignment for the panel and press **OK**.
5. Enter a unique Device Name assignment for the panel and press **OK**.

### Configuring the Panel's IP Address

These steps configure the panel to communicate with a network; it is still necessary to connect to the *NetLinX* Master (see *Connecting to a NetLinX Master* below).

#### Network Communication via DHCP

1. In the *Ethernet* page, press **DHCP/Static** field to open the *DHCP/Static* window. Note that *DHCP* is the default setting.
2. Select **Host Name**, enter the new host name
3. Press **OK** to save changes.

#### Network Communication via Static Address

1. In the *Ethernet* page, press **DHCP/Static** to open the *DHCP/Static* window.
2. Select **Static** to open the *Static IP* window.
3. Press any field to open a keypad or keyboard (depending on the field), and enter the appropriate network address information.
4. Press **OK** to save your changes and return to the *Ethernet* page.

### Connecting to a NetLinX Master

To establish the type of connection to make between the panel and the *NetLinX* Master:

1. In the *NetLinX* page, press **Mode** to choose the connection mode (*URL*, *Listen* or *Auto*):

Connection Modes		
Mode	Description	Procedures
URL	The device connects to the target Master's IP address via a TCP connection.	1) Select <b>URL</b> in the <i>Mode</i> menu. 2) Enter the <i>Master IP/URL</i> , <i>Master Port Number</i> , and <i>Username/Password</i> (if required by the Master). Press <b>OK</b> to save changes.
Listen	This mode allows the panel to "listen" for the Master's communication signals. Note that in this mode, the <i>System Number</i> and <i>Master IP/URL</i> fields are read-only.	1) Select <b>Listen</b> in the <i>Mode</i> menu. 2) Confirm the panel's IP address is on the Master's URL list (via <i>NetLinX Studio</i> ). 3) Press <b>OK</b> to save changes. <b>Note:</b> The <i>Host Name</i> (set on the <i>Ethernet</i> page), can be used to locate the panel on the Master (particularly useful for <i>DHCP</i> connections where the IP address can change).
Auto	Use this mode when both the panel and the <i>NetLinX</i> Master are on the same Subnet.	1) Select <b>Auto</b> in the <i>Mode</i> menu. 2) Enter the <i>System Number</i> and <i>Username</i> and <i>Password</i> (if applicable). 3) Press <b>OK</b> to save changes.

2. If password security is enabled on the target Master, enter the Username and Password:
  - a. Select **Username** to open the *NetLinX* window.
  - b. Enter the *Username* and *Password* required by the Master.
  - c. Press **OK** to save changes and return to the *NetLinX* page.

### Related Software and Additional Documentation (at [www.amx.com](http://www.amx.com))

- Programming the Modero X Series touch panels requires the use of the latest versions of *NetLinX Studio* and *TPDesign4*, both available to download at [www.amx.com](http://www.amx.com). Refer to the *NetLinX Studio* and *TPDesign4* online help for information.
- For additional information on the MXD-700 panel, refer to the *X-Series Touch Panels MXD/T-1000, MXD/T-700 & MXD-430 Instruction Manual*.
- For detailed information on the *Settings* menu as well programming information and instructions on upgrading firmware, refer to the *Modero X Series Programming Guide*.

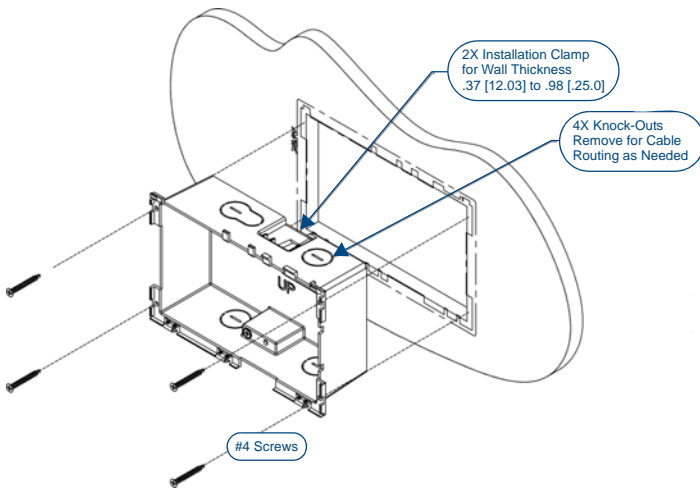


FIG. 4 MXD-700 Backbox Installation (Landscape)

6. Push the Backbox into the mounting surface. Insure that the locking tabs lie flush against the Backbox and that the Backbox goes freely into the opening.

7. Extend the locking tabs on the sides of the Backbox by tightening the screws inside the box until snug.

Apply enough pressure to the screw head to keep the box flush with the wall: this ensures that the locking tabs will tighten up against the inside of the wall.

The Backbox is clear to allow visual confirmation that the tabs have been extended and are gripping the wall, as well as in assisting with removal if necessary.

**Note:** The maximum recommended torque to screw in the locking tabs on the Backbox is 5 IN-LB [56 N-CM]. Applying excessive torque while tightening the tab screws, such as with powered screwdrivers, can strip out the locking tabs or damage the Backbox.

8. For additional strength, #4 mounting screws (not included) may be secured via mounting holes located at the left and right sides of the MXD-700 (FIG. 4).

In order to prevent damage to the touch panel, make sure that these are flush with the Backbox.

9. Insert each connector into its corresponding location along the back of the device. To reach the RJ45 connector, gently pull it from beneath the electronics cover. Attach the Ethernet cable and gently push the connection back under the cover.

**Note:** To facilitate connection of the RJ45 connector to the Ethernet cable, press the RJ45's cable into the RJ45 cable clip to hold it in a stable position. Make sure to remove the cable from the cable clip before continuing the rest of the installation.

10. Test the incoming wiring by attaching the panel connections to their terminal locations and applying power. Verify that the panel is receiving power and functioning properly to prevent repetition of the installation.

**Note:** Do not disconnect the connectors from the touch panel. The unit must be installed with the attached connectors before being inserted into the mounting surface. Remove power before continuing with the installation.

11. Latch the panel onto the top hooks on the Backbox and push it down (Landscape) onto the bottom snaps or on the left side and push it to the right (Portrait) (FIG. 5).

Press gently but firmly on the ends until the snaps "click" to lock it down.

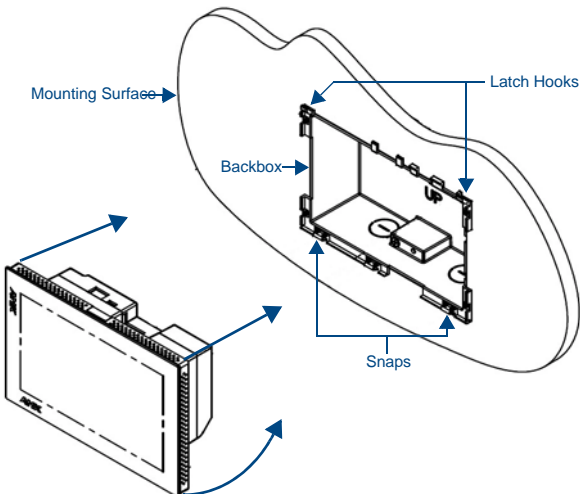


FIG. 5 Installing the MXD-700

**WARNING:** If you see a gap between the panel and the Backbox, or feel any binding while locking down the panel, stop immediately and verify that no cables or other items are in the way. Do not force the panel into position, as this can cause damage to the touch screen or the panel electronics.

12. Reconnect the terminal Ethernet and USB to their respective locations on the Ethernet port.

For full warranty information, refer to the AMX Instruction Manual(s) associated with your Product(s).

