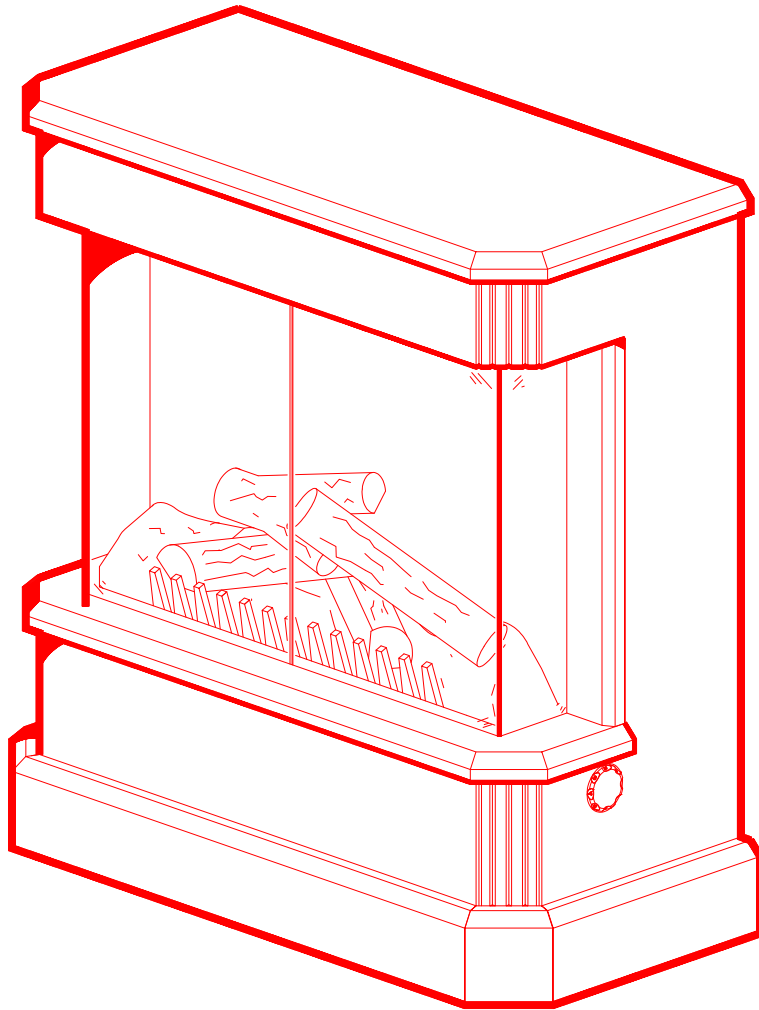


CONTEMPRA MODEL KDS6401E

PARTS & SERVICE MANUAL



 **Dimplex®**

7400060000R02

Table of Contents

OPERATION	2
MAINTENANCE	5
EXPLODED DIAGRAM	6
REPLACEMENT PARTS.....	7
WIRING DIAGRAM	8
LIGHT BULB REPLACEMENT	9
TO REPLACE MAIN ON/OFF SWITCH	10
TO REPLACE FLAME MOTOR/FLAME ROD.....	11
TO REPLACE HEATER ON/OFF SWITCH.....	12
TO REPLACE HEATER THERMOSTAT	13
TO REPLACE POWER CORD	14
TO REPLACE THE HEATER ASSEMBLY	15
TROUBLESHOOTING GUIDE	16
GENERAL.....	16
APPEARANCE	16
HEATER	17
NOISE.....	18

OPERATION

To access the controls go to the front panel of the unit (refer to diagram below)

1. Three position ON/OFF switch

The switch has two ON positions marked with “-“ and “=”. The “-“ position is for manual operation. In this position the built-in remote control is bypassed. The “=” position is for operating the unit with the provided remote control. When in “=” position the unit is operated with the ON and OFF buttons of the remote control. When the switch is in the center position the unit is off.

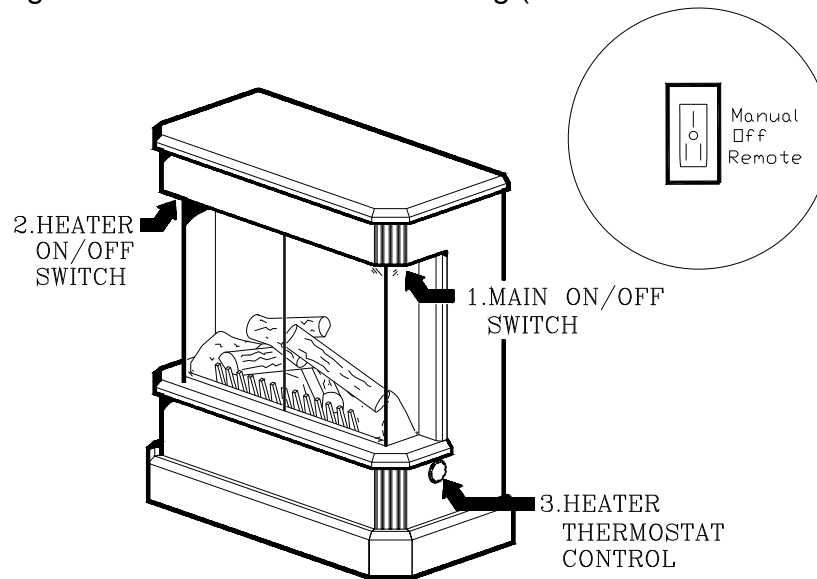
2. HEATER ON/OFF SWITCH

The HEATER ON/OFF SWITCH supplies power to the heater fan and the heater element and must be turned on before heat can be created.

3. HEATER THERMOSTAT CONTROL

To adjust the temperature to your individual requirements, turn the heater thermostat control knob clockwise all the way to turn on the heater. When the room reached the desired temperature, turn the thermostat knob counter clockwise until you hear a click. Leave in this position to maintain the room temperature at this setting. For additional heat, turn clockwise until you hear the click again and the heater will turn on. To turn the heater off, switch the HEATER ON/OFF SWITCH to the OFF position.

NOTE: When the heater is switched ON, the heater fan will operate. The heater element may or may not be on, depending on the thermostat control setting (SEE “HEATER THERMOSTAT CONTROL”).



RESETTING THE TEMPERATURE CUTOFF SWITCH

This unit is equipped with a thermostat that controls the temperature of the room. It does this by turning the heater on and off. The heater is protected with a safety device to prevent overheating. Should the heater overheat, an automatic cut out will turn the heater off and it will not come back on without being reset. To reset the temperature cut-off switch turn the main power switch to the OFF position and wait five minutes before switching the unit back on.

CAUTION

If you need to continuously reset the heater, unplug the unit and call Dimplex North America Limited at 1-800-668-6663.

REMOTE CONTROL USAGE

This stove is supplied with a radio frequency remote control. This remote control has a range of approximately 50 feet (15.25m); it does not have to be pointed at the fireplace and can pass through most obstacles (including walls). It is supplied with one of 243 independent frequencies to prevent interference with other units. The frequency code is indicated on the back of the transmitter.

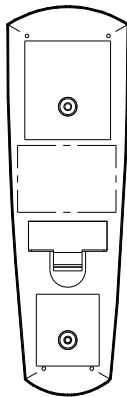


Note: Ensure that the fireplace 3 position switch is set to the remote control setting.

To operate, push the ON button to turn fireplace on, push the OFF button to turn the fireplace off.

BATTERY REPLACEMENT

To replace the battery, slide battery cover open on the hand held transmitter. Correctly install one 12 volt (A23) battery in the battery holder. Close the battery cover.



Remote Control Initialization

This procedure is required every time there is a loss of power to the remote control in the fireplace. (I.e. power failure, breaker tripped, main power switch is turned off)

1. Ensure that power is supplied through main service panel.
2. Locate manual controls.
3. Toggle the main power switch, to the “=” position.
4. Press ON button located on the remote control transmitter. This will synchronize the remote control transmitter and receiver.

OPTIONAL EXTERNAL REMOTE CONTROL

The remote control has a range of approximately 50ft. (15.25m) it does not have to be pointed at the stove and can pass through most obstacles (including walls). It is supplied with one of 243 independent frequencies to prevent interference with other units. The frequency designation is indicated on the back of the transmitter (FIGURE 3)

REMOTE CONTROL INSTALLATION

1. Plug stove cord set into the outlet located on the side of the receiver. (FIGURE 2)
2. Plug receiver into the wall outlet.
3. Install a 9 volt battery into the transmitter. (FIGURE 3)
4. Turn the stove main power switch to the on position prior to using the remote control.
5. The remote control works up to 50 feet away.
6. Push the ON button to turn stove on, push the OFF button to turn the stove off.

NOTE

To prevent the risk of fire, the stove plug must be inserted fully into the receiver.

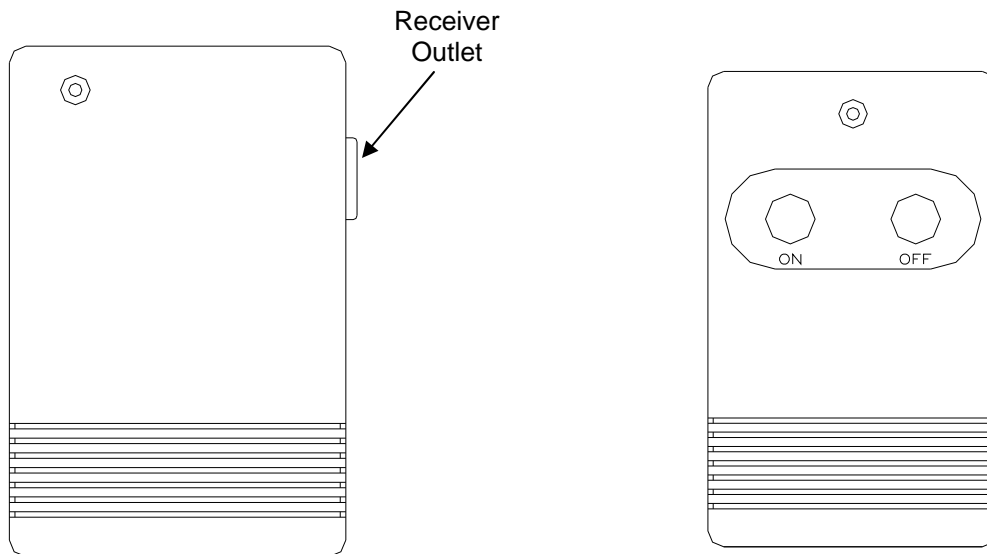


FIGURE 2

NOTE

- Stove MAIN on/off switch must be in the ON position prior to using the Remote Control.
- ON/OFF Remote Control may be used to control most other electrical devices including T.V.'s, stereos and lamps.

CAUTION

- For indoor use in dry areas only
- For use on electrical devices with 15 amp resistive load or 1/3 HP inductive load
- 120 volt AC only

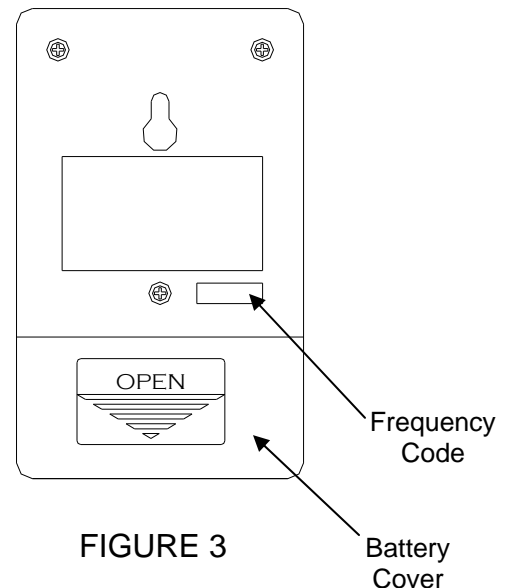


FIGURE 3

MAINTENANCE

LIGHT BULB REPLACEMENT

Allow at least 5 minutes for light bulbs to cool off before touching bulbs to avoid accidental burning of skin.

Light bulbs need to be replaced when you notice a dark section of the flame or when the clarity and detail of the log exterior disappears. There are two bulbs under the log set which generate the flames and embers.

TO REPLACE THE LIGHT BULBS

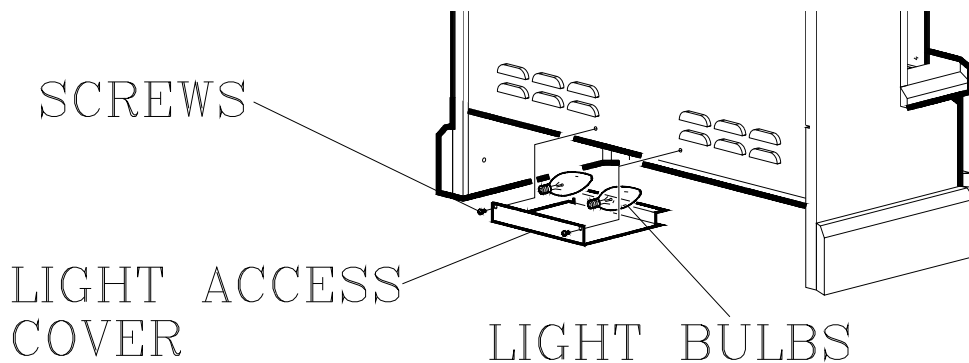
1. On the back of the Contempra® remove the screws from the light access cover.
2. Remove the light access cover.
3. Reach into the opening, locate and examine the bulbs to determine which bulb(s) required replacement.
4. Unscrew the bulb(s) counter clockwise.
5. Insert new bulb(s).
6. Install the light access cover and install the screws

HELPFUL HINTS

It is a good idea to replace all light bulbs at one time if they are close to the end of their rated life. Group replacement will reduce the number of times you need to open the unit to replace light bulbs.

BULB REQUIREMENTS

Quantity of 2 clear chandelier or candelabra bulbs with an E-12 (small) socket base, 60 watt rating. Example GE 60BC or Philips 60 CTC.



GLASS CLEANING

The glass is cleaned in the factory during the assembly operation. During shipment, installation, handling, etc., the glass surface may collect dust particles; these can be removed by buffing lightly with a clean dry cloth.

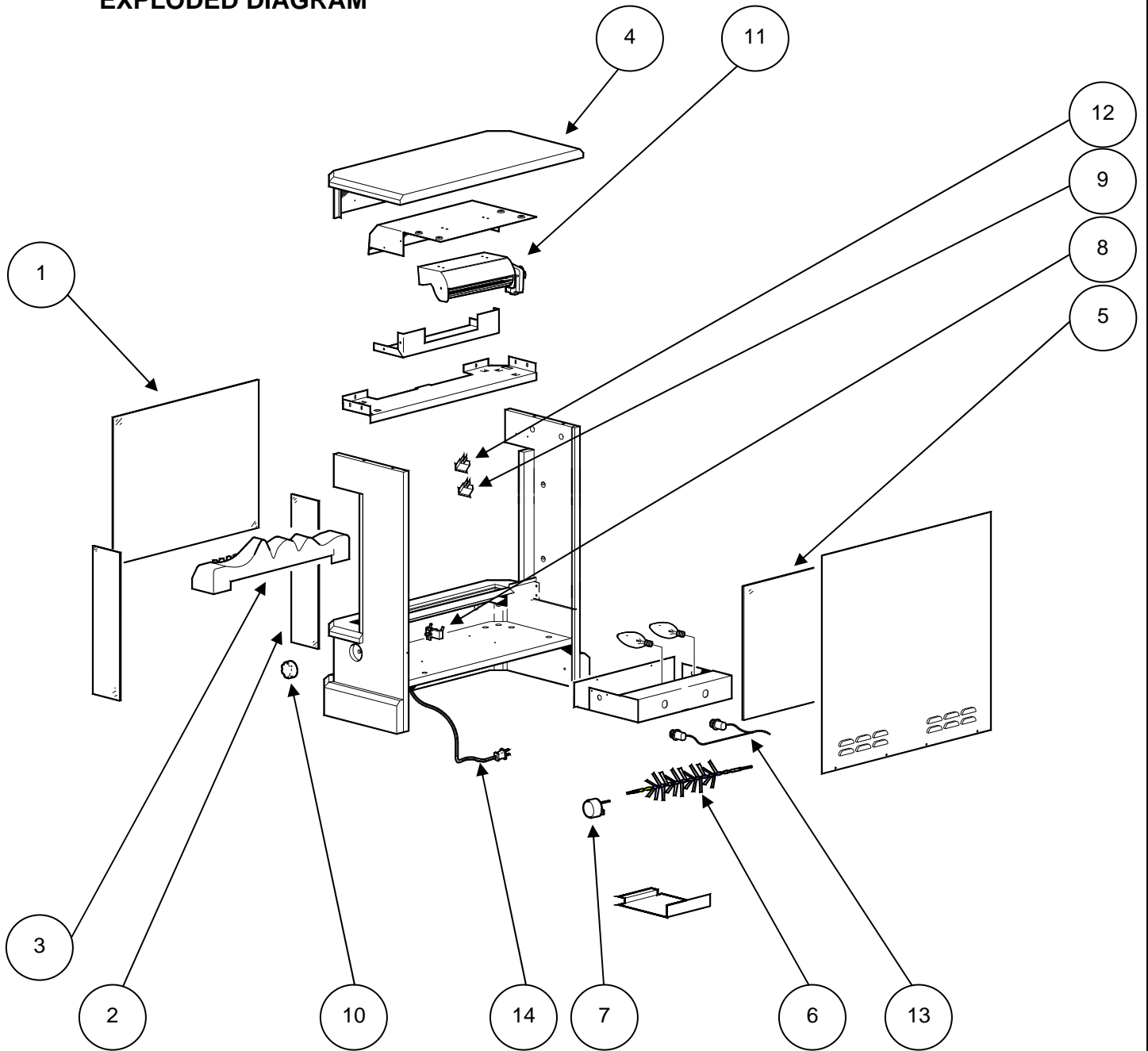
To remove fingerprints or other marks, the glass can be cleaned with a damp cloth using a good quality household glass cleaner. The glass should be completely dried with a lint free cloth or paper towel. Do not use abrasive cleaners on glass surface or spray liquids directly onto any surface.

Contempra® SURFACE CLEANING

Use warm water only to clean painted surfaces of the Contempra®. Do not use abrasive cleaners on surface or spray liquids directly onto any surface.

KDS6401E

EXPLODED DIAGRAM



KDS6401E

REPLACEMENT PARTS

STOVE- CONTEMPORARY - MATTE BLACK

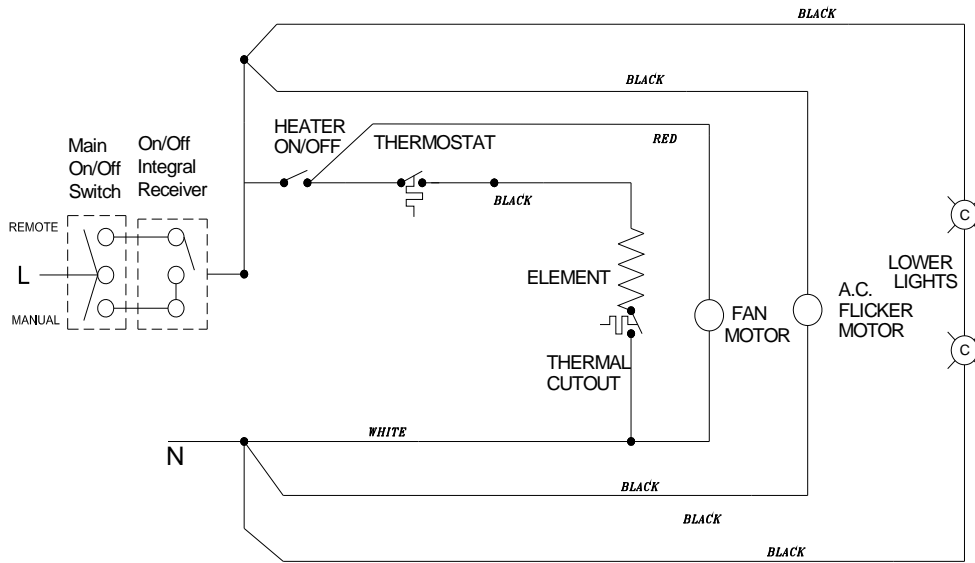
PART NO. 6900940159
MOD LEVEL NONE

REPLACEMENT PART	REPLACEMENT PART NO.
1. FRONT GLASS	5900230100RP
2. LEFT HAND & RIGHT HAND SIDE GLASS	5900240100RP
3. LOG SET	0438270100RP
4. TOP PANEL	1103820171RP
5. MIRROR	5900210200RP
6. REFLECTOR ROTISSIERE	5900080600RP
7. MOTOR, ELECTRIC	2000140300RP
8. THERMOSTAT	2300150100RP*
9. POWER ON/OFF/ON SWITCH	2800071100RP
10. THERMOSTAT KNOB	0437930159RP
11. HEATER ASSEMBLY	2200490900RP
12. HEATER ON/OFF SWITCH	2800070200RP
13. LOWER LIGHT HARNESS	2500170100RP
14. CORDSET	4100040300RP
15. REMOTE TRANSMITTER	3000370500RP
16. REMOTE RECEIVER	3000380200RP

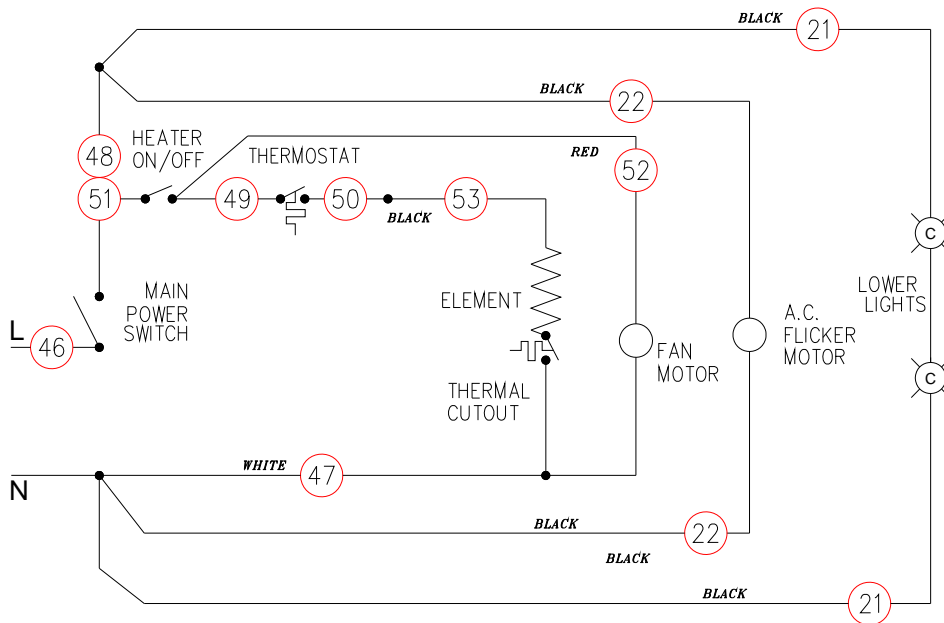
KDS6401E

WIRING DIAGRAM

With Integrated On/Off Receiver Board



With Optional External Plug-In Remote Control



KDS6401E

If unit was operating prior to servicing allow at least 10 minutes for light bulbs and heating element to cool off to avoid accidental burning of skin.

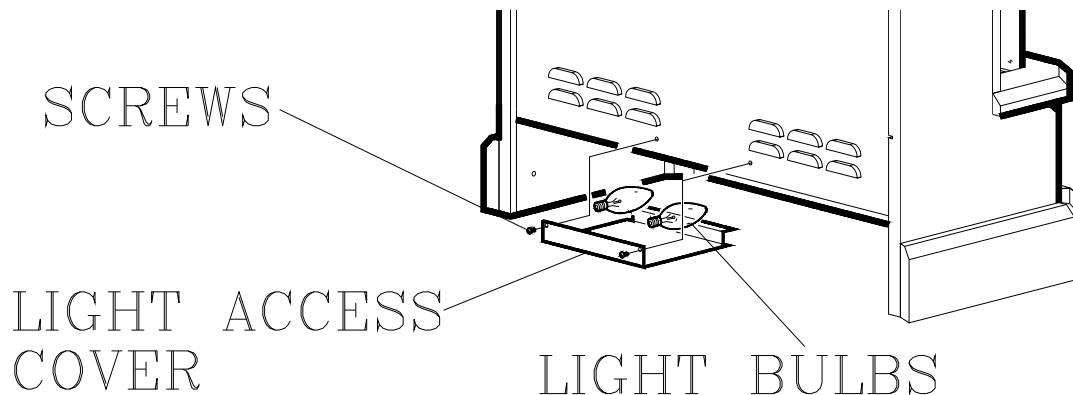
Disconnect power before attempting any maintenance or cleaning to reduce the risk of electric shock or damage to persons.

Light bulbs need to be replaced when you notice a dark section of the flame. There are two bulbs under the log set which generate the flames and embers.

It is a good idea to replace all of the light bulbs at one time if they are close to the end of their rated life. Group replacement will reduce the number of times you need to open the unit to replace the light bulbs.

LIGHT BULB REPLACEMENT

1. On the back of the Contempra remove the screws from the light access cover.
2. Remove the light access cover.
3. Reach into the opening, locate and examine the bulbs to determine which bulb(s) require replacement.
4. Unscrew the bulb(s).
5. Insert new bulb(s).
6. Install the light access cover and install the screws



BULB REQUIREMENTS

Quantity of 2 clear chandelier or candelabra bulbs with an E-12 (small) socket base, 60 watt rating. Example GE 60BC or Philips 60 CTC.

KDS6401E

If the stove was operating prior to servicing allow at least 10 minutes for light bulbs and heating element to cool off to avoid accidental burning of skin.

Disconnect power before attempting any maintenance or cleaning to reduce the risk of electric shock or damage to persons.

TO REPLACE MAIN ON/OFF SWITCH

1. Remove the stove pipe kit (if equipped).
2. Remove the four screws from the rear panel and remove.
3. Locate the main on/off switch mounted to the top panel and disconnect the wiring clips and connections noting their original locations.
4. Depress the retainer clips on the rear of the switch and push the switch down and out of the top cover.
5. Properly orientate the new switch and connect all of the wiring clips and connections.
6. Reassemble in the reverse order as above.

KDS6401E

If the stove was operating prior to servicing allow at least 10 minutes for light bulbs and heating element to cool off to avoid accidental burning of skin.

Disconnect power before attempting any maintenance or cleaning to reduce the risk of electric shock or damage to persons.

TO REPLACE FLAME MOTOR/FLAME ROD

1. Remove the stove pipe kit (if equipped).
2. Remove the four screws from the rear panel and remove.
3. Locate the flame motor and flame rod assembly, remove the motor mounting screws with a short handled screw driver.
4. Locate and remove the wiring connections and remove the flame rod and flame motor assembly.

NOTE: When removing the flame motor some damage may occur to the flame rod. If flame rod is damaged replace to insure proper operation.

5. To remove the flame rod attach needle nose pliers to the spring on the motor shaft and pull while rotating in the opposite direction of the spring winding.
6. To replace the flame rod attach needle nose pliers to the flame rod spring and push onto the flame motor shaft while rotating in the opposite direction of the spring winding.
7. Properly orientate the flame motor and connect all of the wiring clips connections in their original locations.

KDS6401E

If the stove was operating prior to servicing allow at least 10 minutes for light bulbs and heating element to cool off to avoid accidental burning of skin.

Disconnect power before attempting any maintenance or cleaning to reduce the risk of electric shock or damage to persons.

TO REPLACE HEATER ON/OFF SWITCH

1. Remove the stove pipe kit (if equipped).
2. Remove the four screws from the rear panel and remove.
3. Locate the heater on/off switch mounted to the top panel and disconnect the wiring clips and connections noting their original locations.
4. Depress the retainer clips on the rear of the switch and push the switch down and out of the top cover.
5. Properly orientate the new switch and connect all of the wiring clips and connections.
6. Reassemble in the reverse order as above.

KDS6401E

If the stove was operating prior to servicing allow at least 10 minutes for light bulbs and heating element to cool off to avoid accidental burning of skin.

Disconnect power before attempting any maintenance or cleaning to reduce the risk of electric shock or damage to persons.

TO REPLACE HEATER THERMOSTAT

1. Remove the stove pipe kit (if equipped).
2. Remove the four screws from the rear panel and remove.
3. Locate the heater thermostat mounted on the rear panel and disconnect the wiring clips and connections noting their original locations.
4. Pull off the thermostat control knob to expose the mounting screws.
5. Remove the mounting screws and remove the heater thermostat.
6. Reassembly in the reverse order as above.

KDS6401E

If the stove was operating prior to servicing allow at least 10 minutes for light bulbs and heating element to cool off to avoid accidental burning of skin.

Disconnect power before attempting any maintenance or cleaning to reduce the risk of electric shock or damage to persons.

TO REPLACE POWER CORD

1. Remove the stove pipe kit (if equipped).
2. Remove the four screws from the rear panel and remove.
3. Locate and remove the wiring connections for the power cord.
4. With needle nose pliers grasp the power cord strain relief grommet from inside the bottom cover and push while twisting to remove.
5. Pull the old power cord out through the bottom cover.
6. Install the new power cord through the hole in the bottom cover and connect all of the wiring connections in their original locations.
7. Install the power cord retaining grommet on the power cord and insert into the hole in the bottom cover.
8. Reassemble in the reverse order as above.

KDS6401E

If the stove was operating prior to servicing allow at least 10 minutes for light bulbs and heating element to cool off to avoid accidental burning of skin.

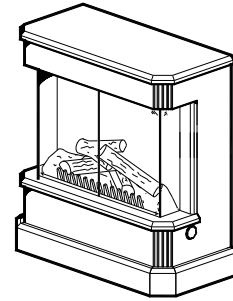
Disconnect power before attempting any maintenance or cleaning to reduce the risk of electric shock or damage to persons.

TO REPLACE THE HEATER ASSEMBLY

1. Remove the stove pipe kit (if equipped).
2. Remove the four screws from the rear panel and remove.
3. Locate and remove the four screws on the inner heater panel.
4. Locate the eight cam locks on the side and front panels inside the upper corners of the stove and turn with a large slot screwdriver so the triangle on the cam lock is pointing up towards the top of the stove.
5. Grasp the top at both sides and gently pull to release the top.
6. Remove the heater mounting screws.
7. Disconnect the wiring clips and connections noting their original locations and remove the heater assembly.
8. Properly orientate the replacement heater assembly and connect all of the wiring clips connections in their original locations.
9. Reassemble in the reverse order as above.

KDS6401E

TROUBLESHOOTING GUIDE



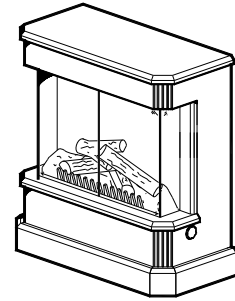
GENERAL

Problem	Cause	Solution	Service Manual Reference
Circuit breaker trips or fuse blows when unit is turned on	Improper circuit current rating	Additional appliances may exceed the current rating of the circuit breaker or fuse. Plug unit into another outlet or install unit on a dedicated 15 amp circuit	
Unit turns on or off by itself	Optional remote control has a similar frequency to other remotes in the area	Replace hand held remote control	
	Radio frequency disturbance from outside sources		
Lights dim in room while the unit is on	Unit is drawing close to circuit current rating	Move the unit to another outlet or install unit on a dedicated 15 amp circuit	
Power cord gets warm	Normal operation	The power cord may get slightly warm to the touch when the heater is on	
	Defective power cord	Replace power cord	Page 13

APPEARANCE

Problem	Cause	Solution	Service Manual Reference
Stove does not turn on	Improper operation	Refer to User's Guide	
	Defective main On/Off switch	Replace main On/Off switch	Page 11
	Defective optional remote control	Install new battery into the handheld transmitter	
	Defective Remote Receiver	Replace Remote Receiver	
	Loose wiring	Check wiring connections	Page 7
Flame frozen	Defective flame motor	Replace flame motor	Page 10
	Loose wiring	Check wiring connections	Page 7
Flame not bright or flame not visible	Burnt light bulbs	Replace light bulbs	Page 8
	Loose wiring	Check wiring connections	Page 7
	Defective light harness	Replace light harness	
Log set dim, ember bed not glowing	Burnt light bulbs	Replace light bulbs	Page 8
Flame Shutter	Defective flame motor	Replace flame motor	Page 10

TROUBLESHOOTING GUIDE

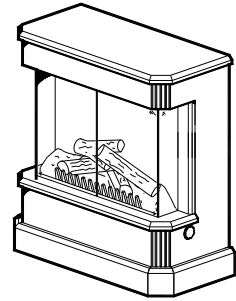


HEATER

Problem	Cause	Solution	Service Manual Reference
Heater is not turning off	Defective heater on/off switch	Replace heater on/off switch	Page 11
	Improper operation	See Operation Section	Page 2
	Loose wiring	Trace wiring in unit	Page 7
Heater is not turning on	Defective heater On/Off switch	Replace heater On/Off switch	Page 11
	Defective heater assembly	Replace heater assembly	Page 14
	Improper operation	See Operation Section	Page 2
	Loose wiring	Trace wiring in unit	Page 7
Heater emits an odour	Normal operation	Normal operation is when the heater emits an odour for a brief period after the heater is initially turned on. The heater is burning off any dust accumulated during manufacturing or operation.	
	Defective heater assembly	Replace heater assembly	Page 14
	Loose wiring	Trace wiring in unit	Page 7
Heater fan turns on but heater lacks heat	Improper operation	See Operation Section	Page 2
	Defective thermostat	Replace thermostat	Page 12
	Loose wiring	Trace wiring in unit	Page 7
	Defective heater assembly	Replace heater assembly	Page 14
Heating element is glowing red	Normal operation	Small glowing sections of the element are considered normal.	
	Defective heater assembly	If larger glowing sections are causing the heater to trip the thermal cut out, unplug unit, discontinue use and replace heater assembly	Page 14

KDS6401E

TROUBLESHOOTING GUIDE



HEATER (CONTINUED)

Problem	Cause	Solution	Service Manual Reference
Heater fan runs continuously	Loose wiring	Trace wiring in unit	Page 7
	Defective heater On/Off switch	Replace heater On/Off switch	Page 11
	Defective heater assembly	Replace heater assembly	Page 14

NOISE

Problem	Cause	Solution	Service Manual Reference
Excessive noise with the heater on	Dirty blower assembly	Clean blower assembly	
	Defective blower assembly	Replace heater assembly	Page 14
Grinding or excessive noise with the heater off	Moving flame rod hitting or rubbing against internal components	Flame rod replacement	Page 10
	Defective flame motor	Replace flame motor	Page 10