

Manual

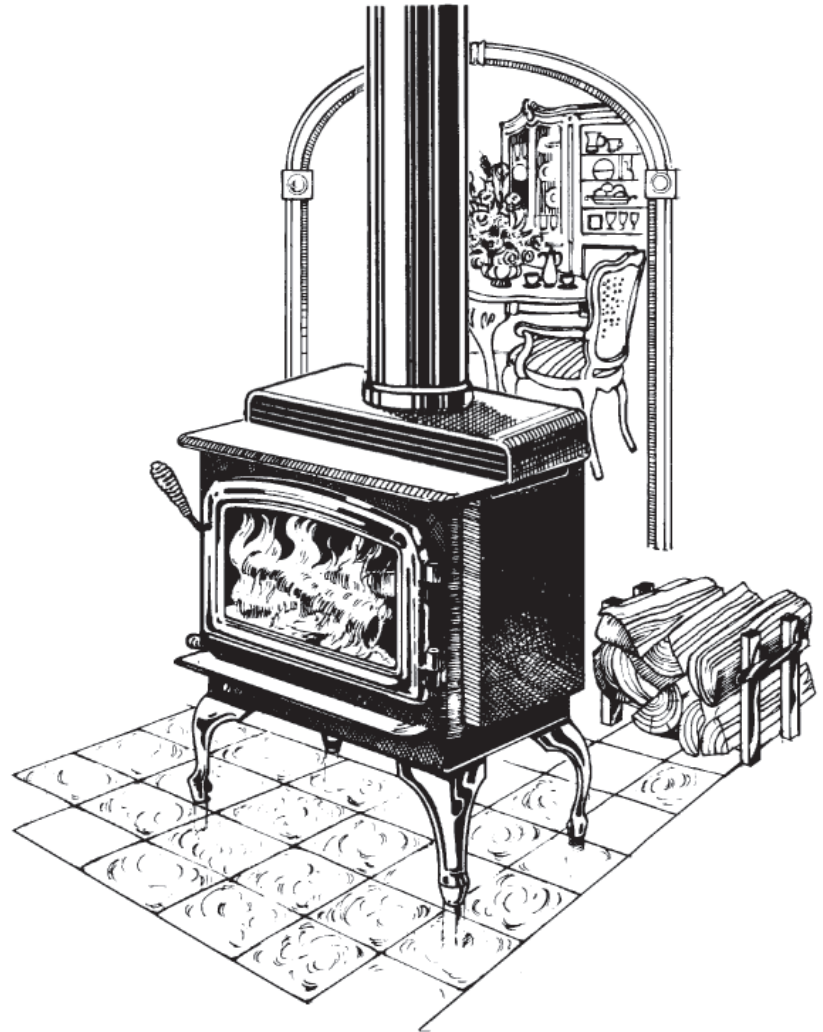
Owners & Installation

Masport[®]

Vancouver /Montreal /St. Moritz

Model: F2101
S2101

Model: F3101
S3101



**KEEP THESE INSTRUCTIONS FOR
FUTURE REFERENCE**

Head Office - New Zealand
1-37 Mt Wellington Hwy. Panmure,
P.O. Box 14349
Auckland 6.
Ph. (9) 570-9009
Fax. (9) 527-1294

Australia
P.O. Box 533
Braeside, Victoria, 3195

Thank-you for purchasing a
MASPORT FIREPLACE PRODUCT.

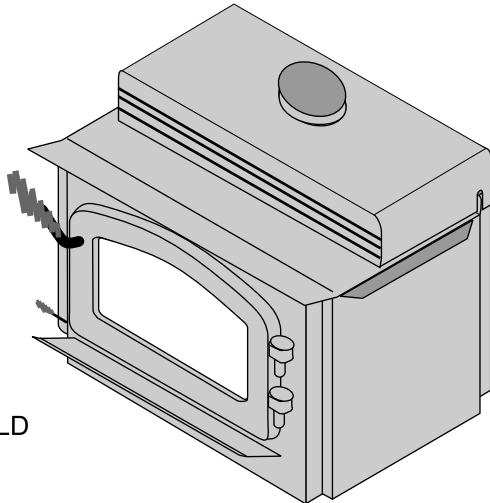
The pride of workmanship that goes into each of our products will give you years of trouble-free enjoyment. Should you have any questions about your product that are not covered in this manual, please contact the **MASPORT DEALER** in your area.

Keep those **MASPORT FIRES** burning.

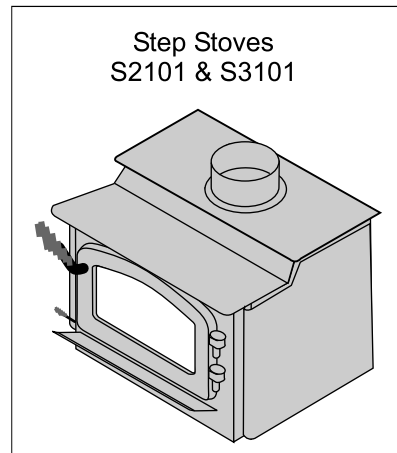
SAFETY NOTE: If this woodstove is not properly installed, a house fire may result. For your safety, follow the installation instructions, contact local building or fire officials about restrictions and installation inspection requirements in your area.

MODULAR PARTS

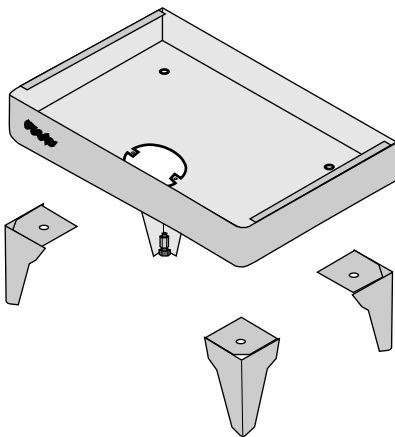
STOVE
Medium
or Large



Step Stoves
S2101 & S3101



LEGS & BOTTOM SHIELD
- Medium or Large




MASPORT - REGENCY WOODFIRE	Masport Vancouver Regency F2100L Regency I2100L
Max. Average Heat Output - Burning Hardwood	11.7 kW
Average Efficiency - Burning Hardwood	64%
Test Report Number	7A00206-1997
Complies with AS 4013 / NZS 7403 When tested in accordance with AS 4012 / NZS 7402 Tested at: Amdel Ltd, Stirling St, Thebarton SA 5031	
Manufactured by Fireplace Products International Ltd. 6988 Venture St. Delta BC CANADA V4G 1H4	
	

TABLE OF CONTENTS

THE MASPORT FREESTANDING STOVE

SAFETY LABEL

Medium Freestanding Stove F2101M	4
Large Freestanding Stove F3101L	5
Medium Step Stove S2101M	6
Large Step Stove S3101L	7

INSTALLATION

Residential Installation	8
Room Air	8
Modular Installation Options	8
Minimum Clearance to Combustibles	9
- Residential "C" Vent Single Wall	9
- Residential Close Clearance	9
- Mobile Home Close Clearance	9
- Minimum Alcove Clearances	10
- Floor Protection	10
Stove Assembly Prior to Installation	11
- Airmate Assembly	11
- Leg and Bottom Shield Assembly	11
- S2101 & S3101 Side Shield Adjustment	11
Chimney & Connector Installation	11
- Table 1: Minimum Recommended Flue Height	12
Recommended Height for Woodstove Flue	12
Mobile Home Installation	12
Listed Components for Mobile Home Installation	13
Brick Flue Baffle & Secondary Air Tube Installation	13
- Large Stove F3101L/S3101L	13
- Medium Stove F2101M/S2101M	14
Brick Installation	14
Door Handle	14
Glass Installation	15
Blower/Fan	15
Wiring Diagram	15

OPERATING INSTRUCTIONS

Draft Control	16
First Fire	16
Fan Operation	16
Ash Disposal	17
Safety Guidelines	17

MAINTENANCE

Creosote	17
- Ways to Prevent & Keep Units Free of Creosote	17
Maintenance of Gold Doors	17
Latch Adjustment	17
Door Gasket	18
Glass Maintenance	18
Replacement / Spare Parts	19

WARRANTY

Warranty	23
----------------	----

SAFETY LABEL

This is a copy of the label that accompanies each Masport Medium Freestanding Woodstove (F2101M). It is located in the upper right corner of the back of the stove. We have printed a copy of the contents here for your review.

proved. Check the label on the unit and if there is a difference, the label on the unit is the correct one.

This is a copy of the label that accompanies

NOTE: Masport units are constantly being im-


Warnock Hersey
CHEF US

LISTED SPACE HEATER, SOLID FUEL TYPE, ALSO SUITABLE FOR MOBILE HOME INSTALLATION


MODEL: REGENCY MEDIUM FREESTANDING STOVE - F2100M
TESTED TO: CSA B366.2 / ULC S627 / UL 1482 REPORT NO.6622 (FEB.1993)

DO NOT REMOVE THIS LABEL

101



F2100M WITH AIRMATE SHIELD



F2100M WITHOUT AIRMATE SHIELD

INSTALL AND USE ONLY IN ACCORDANCE WITH THE MANUFACTURER'S INSTALLATION AND OPERATING INSTRUCTIONS. CONTACT LOCAL BUILDING OR FIRE OFFICIALS ABOUT RESTRICTIONS AND INSTALLATION INSPECTION IN YOUR AREA. USE 150 MM (6 IN.) DIAMETER MINIMUM 24 MSG BLACK OR 26 MSG BLUED STEEL CONNECTOR WITH LISTED FACTORY-BUILT CHIMNEY SUITABLE FOR USE WITH SOLID FUELS OR MASONRY CHIMNEY. SEE LOCAL BUILDING CODE AND MANUFACTURER'S INSTRUCTIONS FOR PRECAUTIONS REQUIRED FOR PASSING A CHIMNEY THROUGH A COMBUSTIBLE WALL OR CEILING. DO NOT PASS CHIMNEY CONNECTOR THROUGH COMBUSTIBLE WALL OR CEILING. DO NOT CONNECT THIS UNIT TO A CHIMNEY FLUE SERVING ANOTHER APPLIANCE.


MINIMUM CLEARANCES TO COMBUSTIBLE MATERIALS					
F2100M WITH AIRMATE SHIELD			F2100M WITHOUT AIRMATE SHIELD		
MEASURE FROM	HEATER	FLUE CENTER-LINE	MEASURE FROM	HEATER	FLUE CENTER-LINE
RESIDENTIAL INSTALLATION USING SINGLE WALL CONNECTOR					
SIDEWALL	A 355 mm / 14 in	D 660 mm / 26 in	SIDEWALL	A 430 mm / 17 in	D 735 mm / 29 in
BACKWALL	B 255 mm / 10 in	E 420 mm / 16.5 in	BACKWALL	B 280 mm / 11 in	E 445 mm / 17.5 in
CORNER	C 150 mm / 6 in	F 445 mm / 17.5 in	CORNER	C 230 mm / 9 in	F 535 mm / 21 in
INSTALLATION USING LISTED DOUBLE WALL CONNECTOR - MOBILE HOME					
SIDEWALL	A 405 mm / 16 in	D 725 mm / 28.5 in	SIDEWALL	A 460 mm / 18 in	D 775 mm / 30.5 in
BACKWALL	B 215 mm / 8.5 in	E 395 mm / 15.5 in	BACKWALL	B 215 mm / 8.5 in	E 395 mm / 15.5 in
CORNER	C 190 mm / 7.5 in	F 510 mm / 20 in	CORNER	C 215 mm / 8.5 in	F 535 mm / 21 in
INSTALLATION USING LISTED DOUBLE WALL CONNECTOR - RESIDENTIAL CLOSE CLEARANCE					
SIDEWALL	A 255 mm / 10 in	D 550 mm / 22.5 in	SIDEWALL	A 355 mm / 14 in	D 675 mm / 26.5 in
BACKWALL	B 115 mm / 4.5 in	E 290 mm / 11.5 in	BACKWALL	B 180 mm / 7 in	E 355 mm / 14 in
CORNER	C 190 mm / 7.5 in	F 510 mm / 20 in	CORNER	C 215 mm / 8.5 in	F 535 mm / 21 in
INSTALLATION USING LISTED DOUBLE WALL CONNECTOR - ALCOVE					
SIDEWALL	G 255 mm / 10 in	I 570 mm / 22.5 in	SIDEWALL	G 355 mm / 14 in	I 675 mm / 26.5 in
BACKWALL	H 115 mm / 4.5 in	J 290 mm / 11.5 in	BACKWALL	H 180 mm / 7 in	J 355 mm / 14 in

MINIMUM ALCOVE CEILING HEIGHT: 2.15 M / 7 FT MAXIMUM ALCOVE DEPTH 915 MM / 36 IN.
 MINIMUM CLEARANCES FOR HORIZONTAL CONNECTOR TO CEILING: 455 MM / 18"
 THE SPACE BENEATH THE HEATER MUST NOT BE OBSTRUCTED. OPERATE ONLY WITH FIREBRICKS IN PLACE.

FOR USE WITH SOLID WOOD FUEL ONLY. USE OF OTHER FUELS MAY DAMAGE HEATER AND CREATE A HAZARDOUS CONDITION. DO NOT OBSTRUCT COMBUSTION AIR OPENINGS. OPERATE ONLY WITH FIREBRICKS IN PLACE. OPERATE ONLY WITH DOOR CLOSED - OPEN FEED DOOR TO FEED FIRE ONLY. DO NOT USE GRATE OR ELEVATE FIRE. BUILD WOOD FIRE DIRECTLY ON HEARTH. DO NOT OVERFIRE - IF HEATER OR CHIMNEY CONNECTOR GLOWS YOU ARE OVERFIRING. INSPECT AND CLEAN CHIMNEY AND CONNECTOR FREQUENTLY. UNDER CERTAIN CONDITIONS OF USE CREOSOTE BUILDUP MAY OCCUR RAPIDLY. KEEP FURNISHINGS AND OTHER COMBUSTIBLE MATERIAL AWAY FROM HEATER. REPLACE GLASS ONLY WITH NEOCERAM GLASS. COMBUSTIBLE FLOOR MUST BE PROTECTED BY NON-COMBUSTIBLE MATERIAL EXTENDING BENEATH THE HEATER AND TO THE FRONT AND SIDES AS INDICATED OR TO THE NEAREST PERMITTED COMBUSTIBLE MATERIAL.

OPTIONAL COMPONENT: FAN, ELECTRICAL RATING: VOLTS 115, 60 HZ, 2 AMPS

COMPONENTS REQUIRED FOR MOBILE HOME INSTALLATION: OUTSIDE AIR KIT AND ONE OF THE FOLLOWING DOUBLE WALL CONNECTOR IN CANADA: LISTED SECURITY MODEL DP, OR OLIVER MACLEOD PRO-VENT PV DOUBLE WALLED CONNECTOR WITH LISTED CHIMNEY SYSTEM: SECURITY MODEL S2100, ICC EXCEL 2100. IN USA: LISTED DOUBLE WALL CONNECTORS SECURITY MODEL DP, SELKIRK MODEL DS, OLIVER MACLEOD PRO VENT PV, SIMPSON DURA VENT MODEL DVL, GSW SUPER PIPE 6, METAL-FAB DOUBLE WALL. CONNECTED TO ONE OF THE FOLLOWING COMPATIBLE CHIMNEY SYSTEMS SECURITY MODEL S2100 OR MODEL ASHT, SELKIRK MODEL SSII, OLIVER MACLEOD PRO JET 3103, SIMPSON DURA PLUS, GSW MODEL SC OR METAL-FAB TEMP/GUARD, AMERI-TEC HS, ICC EXCEL 2100. USE CHIMNEY COMPONENTS AS SPECIFIED IN INSTALLATION INSTRUCTIONS.




MANUFACTURED BY: FIREPLACE PRODUCTS INTERNATIONAL LTD.
6988 VENTURE ST.
DELTA, BC V4G 1H4

MADE IN CANADA

UNITED STATES ENVIRONMENTAL PROTECTION AGENCY

CERTIFIED TO COMPLY WITH JULY 1990, PARTICULATE EMISSION STANDARDS.



CAUTION

HOT WHILE IN OPERATION DO NOT TOUCH. KEEP CHILDREN, CLOTHING AND FURNITURE AWAY. CONTACT MAY CAUSE SKIN BURNS. READ NAMEPLATE AND INSTRUCTIONS.

WD
908-282
rev. 02/00

DATE OF MANUFACTURE

JAN FEB MAR APR MAY JUN JUL AUG SEPT OCT NOV DEC


2001 2002 2003

SAFETY LABEL

each Masport Large Freestanding Woodstove (F3101L). It is located in the upper right corner of the back of the stove. We have printed a copy of the contents here for your review.

proved. Check the label on the unit and if there is a difference, the label on the unit is the correct one.

NOTE: Masport units are constantly being im-



WARNOCK HERSEY
US


LISTED SPACE HEATER, SOLID FUEL TYPE, SUITABLE FOR MOBILE HOME INSTALLATION

MODEL: **REGENCY LARGE FREESTANDING STOVE - F3100L**


TESTED TO: **CSA B366.2 / ULC S627 / UL 1482 REPORT NO.6623 (MAY 93)**

DO NOT REMOVE THIS LABEL

102



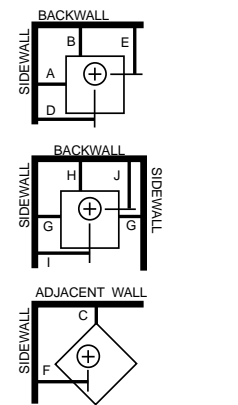
F3100L WITH AIRMATE SHIELD



F3100L WITHOUT AIRMATE SHIELD

INSTALL AND USE ONLY IN ACCORDANCE WITH THE MANUFACTURER'S INSTALLATION AND OPERATING INSTRUCTIONS. CONTACT LOCAL BUILDING OR FIRE OFFICIALS ABOUT RESTRICTIONS AND INSTALLATION INSPECTION IN YOUR AREA. USE 150 MM (6 IN.) DIAMETER MINIMUM 24 MSG BLACK OR 26 MSG BLUE STEEL CONNECTOR WITH LISTED FACTORY-BUILT CHIMNEY SUITABLE FOR USE WITH SOLID FUELS OR MASONRY CHIMNEY. SEE LOCAL BUILDING CODE AND MANUFACTURER'S INSTRUCTIONS FOR PRECAUTIONS REQUIRED FOR PASSING A CHIMNEY THROUGH A COMBUSTIBLE WALL OR CEILING. DO NOT PASS CHIMNEY CONNECTOR THROUGH COMBUSTIBLE WALL OR CEILING. DO NOT CONNECT THIS UNIT TO A CHIMNEY FLUE SERVING ANOTHER APPLIANCE.

MINIMUM CLEARANCES TO COMBUSTIBLE MATERIALS					
F3100L WITH AIRMATE SHIELD			F3100L WITHOUT AIRMATE SHIELD		
MEASURE FROM	HEATER	FLUE CENTER-LINE	MEASURE FROM	HEATER	FLUE CENTER-LINE
RESIDENTIAL INSTALLATION USING SINGLE WALL CONNECTOR			RESIDENTIAL INSTALLATION USING SINGLE WALL CONNECTOR		
SIDEWALL	A 460 mm / 18 in	D 810 mm / 32 in	SIDEWALL	A 510 mm / 20 in	D 860 mm / 34 in
BACKWALL	B 305 mm / 12 in	E 470 mm / 18.5 in	BACKWALL	B 355 mm / 14 in	E 520 mm / 20.5 in
CORNER	C 215 mm / 8.5 in	F 560 mm / 22 in	CORNER	C 265 mm / 10.5 in	F 610 mm / 24 in
INSTALLATION USING LISTED DOUBLE WALL CONNECTOR - MOBILE HOME			INSTALLATION USING LISTED DOUBLE WALL CONNECTOR - MOBILE HOME		
SIDEWALL	A 460 mm / 18 in	D 810 mm / 32 in	SIDEWALL	A 510 mm / 20 in	D 860 mm / 34 in
BACKWALL	B 240 mm / 9.5 in	E 405 mm / 16 in	BACKWALL	B 305 mm / 12 in	E 470 mm / 18.5 in
CORNER	C 255 mm / 10 in	F 595 mm / 23.5 in	CORNER	C 255 mm / 10 in	F 595 mm / 23.5 in
INSTALLATION USING LISTED DOUBLE WALL CONNECTOR - RESIDENTIAL CLOSE CLEARANCE			INSTALLATION USING LISTED DOUBLE WALL CONNECTOR - RESIDENTIAL CLOSE CLEARANCE		
SIDEWALL	A 405 mm / 16 in	D 760 mm / 30 in	SIDEWALL	A 510 mm / 20 in	D 860 mm / 34 in
BACKWALL	B 240 mm / 9.5 in	E 405 mm / 16 in	BACKWALL	B 305 mm / 12 in	E 470 mm / 18.5 in
CORNER	C 215 mm / 8.5 in	F 560 mm / 22 in	CORNER	C 215 mm / 8.5 in	F 560 mm / 22 in
INSTALLATION USING LISTED DOUBLE WALL CONNECTOR - ALCOVE			ALCOVE INSTALLATION REQUIRES AIRMATE SHIELD		
SIDEWALL	G 405 mm / 16 in	I 760 mm / 30 in			
BACKWALL	H 240 mm / 9.5 in	J 405 mm / 16 in			



FLOOR PROTECTION
 K 405 mm / 16 in
 L 150 mm / 6 in
 M 150 mm / 6 in


MINIMUM CLEARANCE BETWEEN HORIZONTAL CHIMNEY CONNECTOR AND COMBUSTIBLE MATERIALS - 460 MM (18 IN.). CLEARANCE MAY BE REDUCED BY THE USE OF LISTED PIPE SHIELDS, WALL PROTECTORS OR OTHER MEANS APPROVED BY LOCAL BUILDING OR FIRE OFFICIALS. COMBUSTIBLE FLOOR MUST BE PROTECTED BY NON-COMBUSTIBLE MATERIAL EXTENDING BENEATH THE HEATER AND TO THE FRONT AND SIDES AS INDICATED OR TO THE NEAREST PERMITTED COMBUSTIBLE MATERIAL.

FOR USE WITH SOLID WOOD FUEL ONLY. USE OF OTHER FUELS MAY DAMAGE HEATER AND CREATE A HAZARDOUS CONDITION. DO NOT OBSTRUCT COMBUSTION AIR OPENINGS. OPERATE ONLY WITH FIREBRICKS IN PLACE. OPERATE ONLY WITH DOOR CLOSED - OPEN FEED DOOR TO FEED FIRE ONLY. DO NOT USE GRATE OR ELEVATE FIRE. BUILD WOOD FIRE DIRECTLY ON HEARTH. DO NOT OVERFIRE - IF HEATER OR CHIMNEY CONNECTOR GLOWS YOU ARE OVERFIRING. INSPECT AND CLEAN CHIMNEY AND CONNECTOR FREQUENTLY. UNDER CERTAIN CONDITIONS OF USE CREOSOTE BUILDUP MAY OCCUR RAPIDLY. KEEP FURNISHINGS AND OTHER COMBUSTIBLE MATERIAL AWAY FROM HEATER. REPLACE GLASS ONLY WITH NEOCERAM GLASS.

OPTIONAL COMPONENT: FAN, ELECTRICAL RATING: VOLTS 115, 60 HZ, 2 AMPS

COMPONENTS REQUIRED FOR MOBILE HOME INSTALLATION: OUTSIDE AIR KIT AND ONE OF THE FOLLOWING DOUBLE WALL CONNECTOR SYSTEM IN CANADA: LISTED SECURITY MODEL DP, OR OLIVER MACLEOD PRO-VENT PV DOUBLE WALLED CONNECTOR WITH LISTED CHIMNEY SYSTEM: SECURITY MODEL S2100, ICC EXCEL 2100.


IN USA: LISTED DOUBLE WALL CONNECTORS SECURITY MODEL DP, SELKIRK MODEL DS, OLIVER MACLEOD PRO VENT PV, SIMPSON DURA VENT MODEL DVL, GSW SUPER PIPE 6, METAL-FAB DOUBLE WALL. CONNECTED TO ONE OF THE FOLLOWING COMPATIBLE CHIMNEY SYSTEMS SECURITY MODEL S2100 OR MODEL ASHT, SELKIRK MODEL SSII, OLIVER MACLEOD PRO JET 3103, SIMPSON DURA PLUS, GSW MODEL SC OR METAL-FAB TEMP/GUARD, AMERI-TEC HS, ICC EXCEL 2100. USE CHIMNEY COMPONENTS AS SPECIFIED IN INSTALLATION INSTRUCTIONS.



MANUFACTURED BY: FIREPLACE PRODUCTS INTERNATIONAL LTD.
6988 VENTURE ST.
DELTA, BC V4G 1H4
MADE IN CANADA

UNITED STATES ENVIRONMENTAL PROTECTION AGENCY

CERTIFIED TO COMPLY WITH JULY 1990, PARTICULATE EMISSION STANDARDS.



CAUTION

HOT WHILE IN OPERATION DO NOT TOUCH. KEEP CHILDREN, CLOTHING AND FURNITURE AWAY. CONTACT MAY CAUSE SKIN BURNS. READ NAMEPLATE AND INSTRUCTIONS.

WD
908-351
09/00



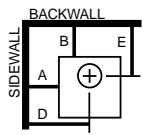
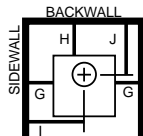
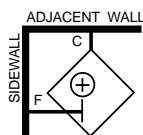
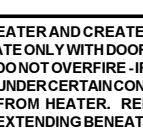


DATE OF MANUFACTURE

2001 ○ 2002 ○ 2003 ○

SAFETY LABEL

This is a copy of the label that accompanies each Regency Medium Freestanding Step Woodstove (S2101). It is located in the upper right corner of the back of the stove. We have printed a copy of the contents here for your review.


NOTE: Regency units are constantly being improved. Check the label on the unit and if there is a difference, the label on the unit is the correct one.

 WH US	LISTED SPACE HEATER, SOLID FUEL TYPE, ALSO SUITABLE FOR MOBILE HOME INSTALLATION MODEL: REGENCY MEDIUM FREESTANDING STEP STOVE - S2100M TESTED TO: CSA B366.2 / ULC S627 / UL 1482 REPORT NO.6622 (FEB.1993)	DO NOT REMOVE THIS LABEL <div style="border: 1px solid black; padding: 5px; width: fit-content; margin: 0 auto;">WH-</div>	DATE OF MANUFACTURE 2000 <input type="checkbox"/> 2001 <input type="checkbox"/> 2002 <input type="checkbox"/>						
 S2100M	<p>INSTALL AND USE ONLY IN ACCORDANCE WITH THE MANUFACTURER'S INSTALLATION AND OPERATING INSTRUCTIONS. CONTACT LOCAL BUILDING OR FIRE OFFICIALS ABOUT RESTRICTIONS AND INSTALLATION INSPECTION IN YOUR AREA. USE 150 MM (6 IN.) DIAMETER MINIMUM 24 MSG BLACK OR 26 MSG BLUED STEEL CONNECTOR WITH LISTED FACTORY-BUILT CHIMNEY SUITABLE FOR USE WITH SOLID FUELS OR MASONRY CHIMNEY.</p> <p>SEE LOCAL BUILDING CODE AND MANUFACTURER'S INSTRUCTIONS FOR PRECAUTIONS REQUIRED FOR PASSING A CHIMNEY THROUGH A COMBUSTIBLE WALL OR CEILING. DO NOT PASS CHIMNEY CONNECTOR THROUGH COMBUSTIBLE WALL OR CEILING. DO NOT CONNECT THIS UNIT TO A CHIMNEY FLUE SERVING ANOTHER APPLIANCE.</p>								
S2100 MINIMUM CLEARANCES TO COMBUSTIBLE MATERIALS									
MEASURE FROM	HEATER	FLUE CENTER-LINE							
RESIDENTIAL INSTALLATION USING SINGLE WALL CONNECTOR									
SIDEWALL	A 355 mm / 14 in	D 660 mm / 26 in							
BACKWALL	B 255 mm / 10 in	E 420 mm / 16.5 in							
CORNER	C 150 mm / 6 in	F 445 mm / 17.5 in							
INSTALLATION USING LISTED DOUBLE WALL CONNECTOR - MOBILE HOME									
SIDEWALL	A 405 mm / 16 in	D 725 mm / 28.5 in							
BACKWALL	B 215 mm / 8.5 in	E 395 mm / 15.5 in							
CORNER	C 190 mm / 7.5 in	F 510 mm / 20 in							
INSTALLATION USING LISTED DOUBLE WALL CONNECTOR - RESIDENTIAL CLOSE CLEARANCE									
SIDEWALL	A 255 mm / 10 in	D 550 mm / 22.5 in							
BACKWALL	B 115 mm / 4.5 in	E 290 mm / 11.5 in							
CORNER	C 190 mm / 7.5 in	F 510 mm / 20 in							
INSTALLATION USING LISTED DOUBLE WALL CONNECTOR - ALCOVE									
SIDEWALL	G 255 mm / 10 in	I 570 mm / 22.5 in							
BACKWALL	H 115 mm / 4.5 in	J 290 mm / 11.5 in							
FLOOR PROTECTION <table style="width: 100%; border-collapse: collapse;"> <tr> <td style="width: 30px;">K</td> <td>405 mm / 16 in</td> </tr> <tr> <td>L</td> <td>150 mm / 6 in</td> </tr> <tr> <td>M</td> <td>150 mm / 6 in</td> </tr> </table> <p>MINIMUM ALCOVE CEILING HEIGHT: 2.15 M / 7 FT</p> <p>MAXIMUM ALCOVE DEPTH: 915 MM / 36 IN.</p> <p>MINIMUM CLEARANCES FOR HORIZONTAL CONNECTOR TO CEILING: 455 MM / 18"</p> <p>THE SPACE BENEATH THE HEATER MUST NOT BE OBSTRUCTED. OPERATE ONLY WITH FIREBRICKS IN PLACE.</p>				K	405 mm / 16 in	L	150 mm / 6 in	M	150 mm / 6 in
K	405 mm / 16 in								
L	150 mm / 6 in								
M	150 mm / 6 in								
<p>FOR USE WITH SOLID WOOD FUEL ONLY. USE OF OTHER FUELS MAY DAMAGE HEATER AND CREATE A HAZARDOUS CONDITION. DO NOT OBSTRUCT COMBUSTION AIR OPENINGS. OPERATE ONLY WITH FIREBRICKS IN PLACE. OPERATE ONLY WITH DOOR CLOSED - OPEN FEED DOOR TO FEED FIRE ONLY. DO NOT USE GRATE OR ELEVATE FIRE. BUILD WOOD FIRE DIRECTLY ON HEARTH. DO NOT OVERFIRE - IF HEATER OR CHIMNEY CONNECTOR GLOWS YOU ARE OVERFIRING. INSPECT AND CLEAN CHIMNEY AND CONNECTOR FREQUENTLY. UNDER CERTAIN CONDITIONS OF USE CREOSOTE BUILDUP MAY OCCUR RAPIDLY. KEEP FURNISHINGS AND OTHER COMBUSTIBLE MATERIAL AWAY FROM HEATER. REPLACE GLASS ONLY WITH NEOCERAM GLASS. COMBUSTIBLE FLOOR MUST BE PROTECTED BY NON-COMBUSTIBLE MATERIAL EXTENDING BENEATH THE HEATER AND TO THE FRONT AND SIDES AS INDICATED OR TO THE NEAREST PERMITTED COMBUSTIBLE MATERIAL.</p> <p>OPTIONAL COMPONENT: FAN, ELECTRICAL RATING: VOLTS 115, 60 HZ, 2 AMPS</p> <p>COMPONENTS REQUIRED FOR MOBILE HOME INSTALLATION: OUTSIDE AIR KIT AND ONE OF THE FOLLOWING DOUBLE WALL CONNECTOR IN CANADA: LISTED SECURITY MODEL DP, OR OLIVER MACLEOD PRO-VENT PV DOUBLE WALLED CONNECTOR WITH LISTED CHIMNEY SYSTEM: SECURITY MODEL S2100, ICC EXCEL 2100. IN USA: LISTED DOUBLE WALL CONNECTORS SECURITY MODEL DP, SELKIRK MODEL DS, OLIVER MACLEOD PRO VENT PV, SIMPSON DURA VENT MODEL DVL, GSW SUPER PIPE 6, METAL-FAB DOUBLE WALL. CONNECTED TO ONE OF THE FOLLOWING COMPATIBLE CHIMNEY SYSTEMS SECURITY MODEL S2100 OR MODEL ASHT, SELKIRK MODEL SSII, OLIVER MACLEOD PRO JET 3103, SIMPSON DURA PLUS, GSW MODEL SC OR METAL-FAB TEMP/GUARD, AMERI-TEC HS, ICC EXCEL 2100. USE CHIMNEY COMPONENTS AS SPECIFIED IN INSTALLATION INSTRUCTIONS.</p>									
		MANUFACTURED BY: FIREPLACE PRODUCTS INTERNATIONAL LTD. 6988 VENTURE ST. DELTA, BC V4G 1H4 MADE IN CANADA							
UNITED STATES ENVIRONMENTAL PROTECTION AGENCY		CERTIFIED TO COMPLY WITH JULY 1990, PARTICULATE EMISSION STANDARDS.							
		<h2>CAUTION</h2> <p>HOT WHILE IN OPERATION DO NOT TOUCH. KEEP CHILDREN, CLOTHING AND FURNITURE AWAY. CONTACT MAY CAUSE SKIN BURNS. READ NAMEPLATE AND INSTRUCTIONS.</p>							
		WD 908-733 rev. 02/00							

SAFETY LABEL

This is a copy of the label that accompanies each Regency Large Freestanding Step Woodstove (S3101). It is located in the upper right corner of the back of the stove. We have printed a copy of the contents here for your review.

NOTE: Regency units are constantly being improved. Check the label on the unit and if there is a difference, the label on the unit is the correct one.



Warnock Hersey
US


LISTED SPACE HEATER, SOLID FUEL TYPE, ALSO SUITABLE FOR MOBILE HOME INSTALLATION.

MODEL:
REGENCY LARGE FREESTANDING STEP STOVE - S3100L

DO NOT REMOVE THIS LABEL

WH-

TESTED TO: CSA B366.2 / ULC S627 / UL 1482 REPORT Number 6623 (MAY 1993)

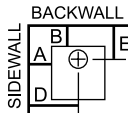


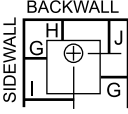
S3100L

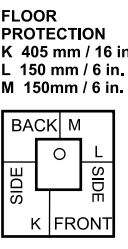
INSTALL AND USE ONLY IN ACCORDANCE WITH THE MANUFACTURER'S INSTALLATION AND OPERATING INSTRUCTIONS. CONTACT LOCAL BUILDING OR FIRE OFFICIALS ABOUT RESTRICTIONS AND INSTALLATION INSPECTION IN YOUR AREA. USE 150 MM (6 IN.) DIAMETER MINIMUM 24 MSG BLACK OR 26 MSG BLUED STEEL CONNECTOR WITH LISTED FACTORY-BUILT CHIMNEY SUITABLE FOR USE WITH SOLID FUELS OR MASONRY CHIMNEY.

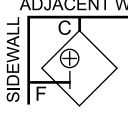
SEE LOCAL BUILDING CODE AND MANUFACTURER'S INSTRUCTIONS FOR PRECAUTIONS REQUIRED FOR PASSING A CHIMNEY THROUGH A COMBUSTIBLE WALL OR CEILING. DO NOT PASS CHIMNEY CONNECTOR THROUGH COMBUSTIBLE WALL OR CEILING. DO NOT CONNECT THIS UNIT TO A CHIMNEY FLUE SERVING ANOTHER APPLIANCE.

S3100L MINIMUM CLEARANCES TO COMBUSTIBLE MATERIALS		Measure From Heater		Flue Center-Line	
RESIDENTIAL INSTALLATION USING SINGLE WALL CONNECTOR					
SIDEWALL	A	460 mm / 18 in	D	810 mm / 32 in	
BACKWALL	B	305 mm / 12 in	E	470 mm / 18.5 in	
CORNER	C	215 mm / 8.5 in	F	560 mm / 22 in	
INSTALLATION USING LISTED DOUBLE WALL CONNECTOR - MOBILE HOME					
SIDEWALL	A	460 mm / 18 in	D	810 mm / 32 in	
BACKWALL	B	240 mm / 9.5 in	E	405 mm / 16 in	
CORNER	C	255 mm / 10 in	F	595 mm / 23.5 in	
INSTALLATION USING LISTED DOUBLE WALL CONNECTOR - RESIDENTIAL CLOSE CLEARANCE					
SIDEWALL	A	405 mm / 16 in	D	760 mm / 30 in	
BACKWALL	B	240 mm / 9.5 in	E	405 mm / 16 in	
CORNER	C	215 mm / 8.5 in	F	560 mm / 22 in	
INSTALLATION USING LISTED DOUBLE WALL CONNECTOR - ALCOVE					
SIDEWALL	G	405 mm / 16 in	I	760 mm / 30 in	
BACKWALL	H	240 mm / 9.5 in	J	405 mm / 16 in	










MINIMUM CLEARANCE BETWEEN HORIZONTAL CHIMNEY CONNECTOR AND COMBUSTIBLE MATERIALS - 460 MM (18 IN.). CLEARANCE MAY BE REDUCED BY THE USE OF LISTED PIPE SHIELDS, WALL PROTECTORS OR OTHER MEANS APPROVED BY LOCAL BUILDING OR FIRE OFFICIALS. COMBUSTIBLE FLOOR MUST BE PROTECTED BY NON-COMBUSTIBLE MATERIAL EXTENDING BENEATH THE HEATER AND TO THE FRONT AND SIDES AS INDICATED OR TO THE NEAREST PERMITTED COMBUSTIBLE MATERIAL.

FOR USE WITH SOLID WOOD FUEL ONLY. USE OF OTHER FUELS MAY DAMAGE HEATER AND CREATE A HAZARDOUS CONDITION. DO NOT OBSTRUCT COMBUSTION AIR OPENINGS. OPERATE ONLY WITH FIREBRICKS IN PLACE. OPERATE ONLY WITH DOOR CLOSED - OPEN FEED DOOR TO FEED FIRE ONLY. DO NOT USE GRATE OR ELEVATE FIRE. BUILD WOOD FIRE DIRECTLY ON HEARTH. DO NOT OVERFIRE - IF HEATER OR CHIMNEY CONNECTOR GLOWS YOU ARE OVERFIRING. INSPECT AND CLEAN CHIMNEY AND CONNECTOR FREQUENTLY. UNDER CERTAIN CONDITIONS OF USE CREOSOTE BUILDUP MAY OCCUR RAPIDLY. KEEP FURNISHINGS AND OTHER COMBUSTIBLE MATERIAL AWAY FROM HEATER. REPLACE GLASS ONLY WITH NEOCERAM GLASS.

OPTIONAL COMPONENT: FAN, ELECTRICAL RATING: VOLTS 115, 60 HZ, 2 AMPS

COMPONENTS REQUIRED FOR MOBILE HOME INSTALLATION: OUTSIDE AIR KIT AND ONE OF THE FOLLOWING DOUBLE WALL CONNECTOR IN CANADA: LISTED SECURITY MODEL DP, OR OLIVER MACLEOD PRO-VENT PV DOUBLE WALLED CONNECTOR WITH LISTED CHIMNEY SYSTEM: SECURITY MODEL S2100, ICC EXCEL 2100.

IN USA: LISTED DOUBLE WALL CONNECTORS SECURITY MODEL DP, SELKIRK MODEL DS, OLIVER MACLEOD PRO VENT PV, SIMPSON DURA VENT MODEL DVL, GSW SUPER PIPE 6, METAL-FAB DOUBLE WALL. CONNECTED TO ONE OF THE FOLLOWING COMPATIBLE CHIMNEY SYSTEMS SECURITY MODEL S2100 OR MODEL ASHT, SELKIRK MODEL SSII, OLIVER MACLEOD PRO JET 3103, SIMPSON DURA PLUS, GSW MODEL SC OR METAL-FAB TEMP/GUARD, AMERI-TEC HS, ICC EXCEL 2100. USE CHIMNEY COMPONENTS AS SPECIFIED IN INSTALLATION INSTRUCTIONS.




MANUFACTURED BY: FIREPLACE PRODUCTS INTERNATIONAL LTD.
6988 VENTURE ST., DELTA, BC V4G 1H4

MADE IN CANADA

UNITED STATES ENVIRONMENTAL PROTECTION AGENCY

CERTIFIED TO COMPLY WITH JULY 1990, PARTICULATE EMISSION STANDARDS



CAUTION

HOT WHILE IN OPERATION DO NOT TOUCH.

KEEP CHILDREN, CLOTHING AND FURNITURE AWAY. CONTACT MAY CAUSE SKIN BURNS,

READ NAMEPLATE AND INSTRUCTIONS.

WD 908-817
rev. 02/00

DATE OF MANUFACTURE
 2000 ○ 2001 ○ 2002 ○
 JAN FEB MAR APR MAY JUN JUL AUG SEPT OCT NOV DEC

INSTALLATION

RESIDENTIAL INSTALLATION

- 1) Read all instructions before installing your Masport Stove. Install and use only in accordance with these installation and operating instructions. Be aware that local Codes and Regulations may override some items in this manual. Check with your local inspector.
- 2) Select a position for your Masport Stove. Consult the minimum clearance chart for your model and set the stove in place. For close clearance installation use listed double wall connector systems (see page 13).
- 3) To insure vertical alignment, suspend a plumb bob from the ceiling over the exact center of your stove flue and mark a spot on the ceiling to indicate the center of the chimney.
- 4) Check that the area above the ceiling is clear for cutting. Re-confirm the clearance from the stove to combustibles to insure that they are within the prescribed limits.
- 5) Install chimney according to chimney manufacturers instructions. The performance of your woodstove is governed to a very large part by the chimney system. Too short a chimney can cause difficult start-up, dirty glass, backsmoking when door is open, and even reduced heat output. Too tall a chimney may prompt excessive draft which can result in very short burn times and excessive heat output. The use of an inexpensive flue pipe damper may be helpful in reducing excessive draft.

CAUTION: The chimney should be the same size as the flue outlet on the stove. The chimney must be listed as suitable for use with solid fuels. For other types of chimneys check with your local building code officials. Do not confuse a chimney with a type "B" Venting System used for gas appliances as suitable for a wood burning appliance. For Mobile Home installations refer to that section on page 12.

- 6) Mark the location of the pedestal base or legs on the floor, then move the stove aside and mark the position of the floor protector.
- 7) The floor protector must be of non-combustible material and must extend 16"(406mm) in front of the door opening and 6"(152mm) to the sides and rear of the unit. Some areas may require a larger size floor protector. See your local inspector. For outside air installation refer to Mobile Home installation instructions on page 12.
- 8) When the floor protection is complete, position the stove with the flue collar centered under the installed chimney.
- 9) In seismically active areas, Masport recommends that your unit is secured to the floor by using the bolt down holes inside the pedestal (the same ones used in Mobile Home installations).
- 10) For residential installations using "C" Vent (single wall) the chimney connector must be at least 24 gauge steel. Do not use galvanized pipe. For Mobile Home installation refer to the Mobile Home installation instructions on page 12.

11) Do not connect this unit to a chimney serving another appliance unless approved by your local building authority.

12) A chimney connector cannot pass through an attic or roof space, closet or similar concealed space, or a floor, ceiling, wall or partition of combustible construction. In Canada, if passage through a wall, or partition of combustible construction is desired, the installation shall conform to CAN/CSA-B365, Installation Code for Solid-Fuel-Burning Appliances and Equipment.

13) Your Masport Woodstove is not to be connected to any air distribution duct.

ROOM AIR - IMPORTANT

For installation using room air for combustion, remove knockout from the pedestal, and/or from the bottom if using a heat shield.

Mobile home installations require the use of outside air.

On pedestal units there are two locations where outside air may be adapted to the unit. If using the bottom of the pedestal, do not remove knockout from the rear of the pedestal. Only remove rear knockout if outside air will be brought in from the rear.

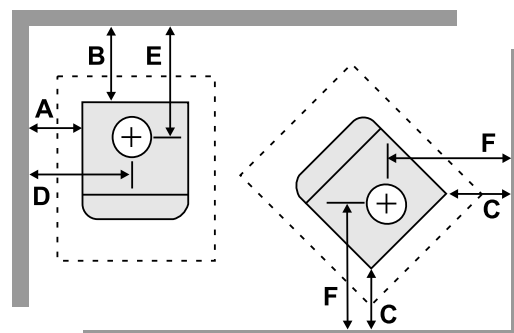
On leg units outside air can only be brought in from the bottom of the heat shield.

Note: *Once the knockout is removed there are two tabs remaining. Bend both tabs out for ease of installation when attaching outside air.*

MINIMUM CLEARANCE TO COMBUSTIBLE MATERIALS

Please read the section below carefully .

Measurements "From Unit" are from the top plate of the stove to a side wall or to a corner, and from the rear heat shield to a back wall.



Residential Installation "C" Vent (Single Wall)

Unit	From Unit		From Corner		From Flue Center-line	
	A	B	C	D	E	F
Medium F2101M with Airmate	355mm	255mm	150mm	660mm	420mm	445mm
Medium S2101M Step Stove	355mm	255mm	150mm	660mm	420mm	445mm
Large F3101L with Airmate	460mm	305mm	215mm	810mm	470mm	560mm
Large S3101L Step Stove	460mm	305mm	215mm	810mm	470mm	560mm

Residential Close Clearance (To be installed with required pipe components)

When the stove is installed as a close clearance residential unit, a listed double wall connector is required from the stove collar to the ceiling level.

Unit	From Unit		From Corner		From Flue Center-line	
	A	B	C	D	E	F
Medium F2101M with Airmate	255mm	115mm	190mm	570mm	290mm	510mm
Medium S2101M Step Stove	255mm	115mm	190mm	570mm	290mm	510mm
Large F3101L with Airmate	405mm	240mm	215mm	760mm	405mm	560mm
Large S3101L Step Stove	405mm	240mm	215mm	760mm	405mm	560mm

Mobile Home Close Clearance (To be installed with required pipe components)

"C" Vent single wall pipe is not approved for Mobile Home installations. (Refer to Mobile Home Instructions.)

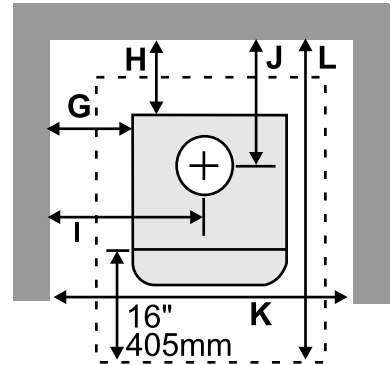
Unit	From Unit		From Corner		From Flue Center-line	
	A	B	C	D	E	F
Medium F2101M with Airmate	405mm	215mm	190mm	725mm	395mm	510mm
Medium S2101M Step Stove	405mm	215mm	190mm	725mm	395mm	510mm
Large F3101L with Airmate	460mm	240mm	255mm	810mm	405mm	595mm
Large S3101L Step Stove	460mm	240mm	255mm	810mm	405mm	595mm

INSTALLATION

Minimum Alcove Clearance to Combustible Materials

The Masport Freestanding models have been alcove approved and must be installed with a listed double wall connector to the ceiling level.

Note: *Minimum alcove ceiling height - 2134mm*
Maximum depth of alcove - 914mm



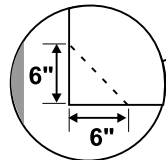
Unit	From Unit		From Flue Center-line		Min. Width	Min. Hearth to Rear Wall
	G	H	I	J	K	L
Medium F2101M with Airmate	255mm	115mm	551mm	290mm	1120mm	1055mm
Medium S2101M Step Stove	255mm	115mm	551mm	290mm	1120mm	1055mm
Large F3101L with Airmate	405mm	240mm	760mm	405mm	1525mm	1180mm
Large S3101L Step Stove	405mm	240mm	760mm	405mm	1525mm	1180mm

Floor Protection

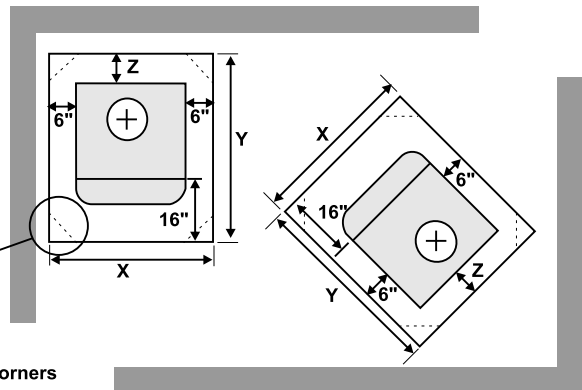
A combustible floor must be protected by a non-combustible material (like tile, concrete board, or certified to UL-1618 or as defined by local codes) extending beneath the heater and a minimum of 6" (150mm) from each side and minimum 16" (405mm) from the front face of the stove and minimum 6" (150mm) (or the rear clearance to combustibles whichever is smaller) from the rear of the stove.

Minimum Overall Width (X) of Floor Protector for all installations:

Medium Stove F2101M /S2101M 915mm
 Large Stove F3101L/ S3101L 1000mm



for angled corners



Minimum Overall Depth (Y) of Floor Protector

Unit	Residential "C" Vent		Residential Close Clearance		Mobile Home Close Clearance		Alcove	
	Y	Z	Y	Z	Y	Z	Y	Z
Medium F2101M with Airmate	1090mm	150mm	1055mm*	115mm	1090mm	150mm	1055mm*	115mm
Medium S2101M Step Stove	1090mm	150mm	1055mm*	115mm	1090mm	150mm	1055mm*	115mm
Large F3101L with Airmate	1090mm	150mm	1090mm*	150mm	1090mm	150mm	1090mm*	150mm
Large S3101L Step Stove	1090mm	150mm	1090mm*	150mm	1090mm	150mm	1090mm*	150mm

*The rear clearance to combustibles is less than 6" (150mm), for corner installations the rear corners may be angled to take advantage of the closer clearances.

INSTALLATION

STOVE ASSEMBLY PRIOR TO INSTALLATION

The stove requires either the Airmate and the 4 legs attached to the base.

Airmate Assembly

Medium	850-105
Large	850-305

- 1) The airmate sits on top of the stove with the slots in the sides fitting over the curved deflector on the rear stove top. See diagram 1.
- 2) Center the airmate and push it forward to the front of the stove. The back of the airmate should be level with the back and sides of the rear heat shield. See diagrams 2 & 3.

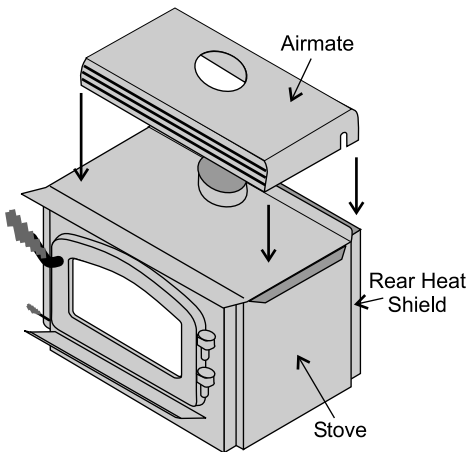


Diagram 1

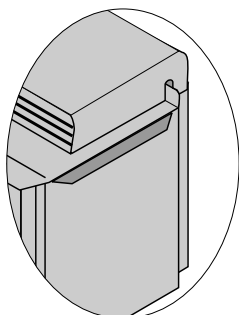


Diagram 2

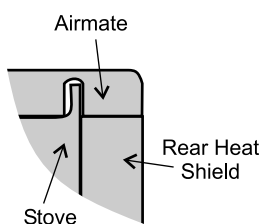


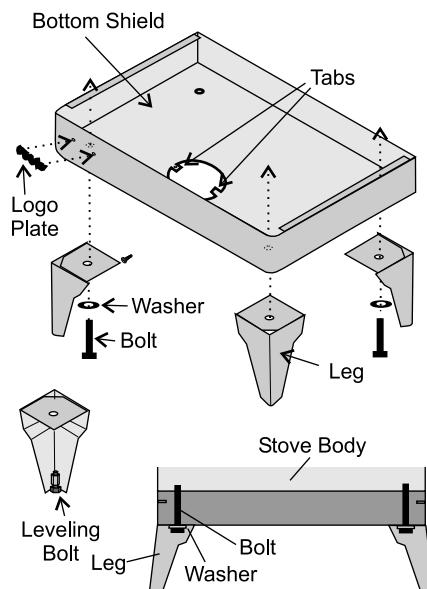
Diagram 3

Leg Assembly

Bottom Shield	850-221
Medium	850-321
Large	

It will be easier to attach the legs to the stove if it is tipped on its back (preferably on a soft surface to prevent scratching).

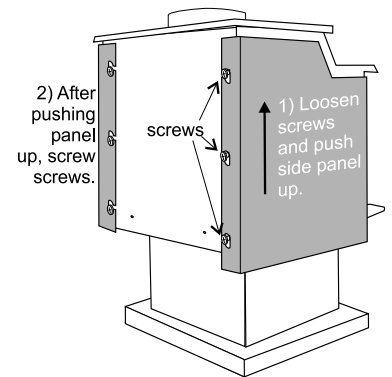
- 1) Loosen the bolts and washers in the four corners of the bottom the unit (do one leg at a time or the entire bottom shield will come off). The cast legs can be slipped in under the washer and then re-tighten the bolts.
- 2) Level the stove by adjusting the levelling bolts in the bottom of each leg.



S2101M & S3101L Side Shield Adjustment

The left and right side shields are lowered for shipping and handling. It allows for a handhold on the top of the stove. Before placing in the Step Stove in its final position, the side shields must be raised.

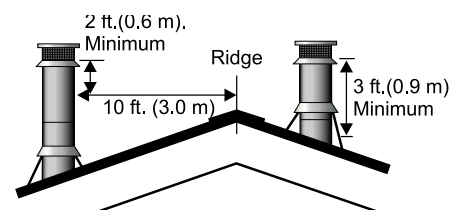
Loosen the screws on the rear on the stove (3 per side), slide the side panel up as far as possible and then secure by tightening the screws.



STEP BY STEP CHIMNEY AND CONNECTOR INSTALLATION:

Note: These are a generic set of chimney installation instructions. Always follow the manufacturer's own instructions explicitly. Check Table 1 on page 12 for the Minimum Recommended Flue Heights.

- 1) With your location already established, cut and frame the roof hole. It is recommended that no ceiling support member be cut for chimney and support box installation. If it is necessary to cut them, the members must be made structurally sound.
- 2) Install radiant shield and support from above.
- 3) Stack the insulated pipe onto your finish support to a minimum height of 3 feet (75mm) above the roof penetration, or 2 feet (50mm) above any point within 10 feet (250mm) measured horizontally. There must be at least 3 feet (75mm) of chimney above the roof level.



INSTALLATION

Note: Increasing the chimney height above this minimum level will sometimes help your unit to "breathe" better by allowing a greater draft to be created. This greater draft can decrease problems such as, difficult start-ups, backsmoking when door is open, and dirty glass. It might be sufficient to initially try with the minimum required height, and then if problems do arise add additional height at a later date.

- 4) Slide the roof flashing over your chimney and seal the flashing to the roof with roofing compound. Secure the flashing to your roof with nails or screws.
- 5) Place the storm collar over the flashing, sealing the joints with a silicone caulking.
- 6) Fasten the raincap with spark screens (if required) to the top of your chimney.
- 7) For optimum efficiency when installing into a masonry chimney, size accordingly, i.e. the 6" (150mm) flue dia. is 28.28 sq.in (720 sq.mm).
- 8) To complete your chimney installation, install the double wall connector pipe from the stove's flue collar to the chimney support device.
- 9) If you are using a horizontal connector, the chimney connector should be as high as possible while still maintaining the 18" (460mm) minimum distance from the horizontal connector to the ceiling.
- 10) **NOTE:** Residential Close Clearance and Alcove installations require a listed double wall connector from the stove collar to the ceiling level.

The diagrams below illustrate one way to install your unit into a standard ceiling or with a horizontal connector. Check with your dealer or installer for information on other options available to you.

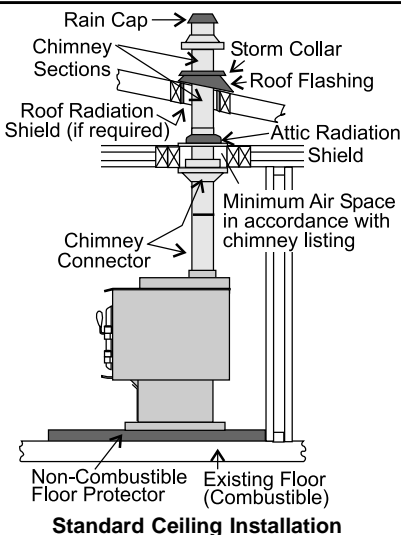
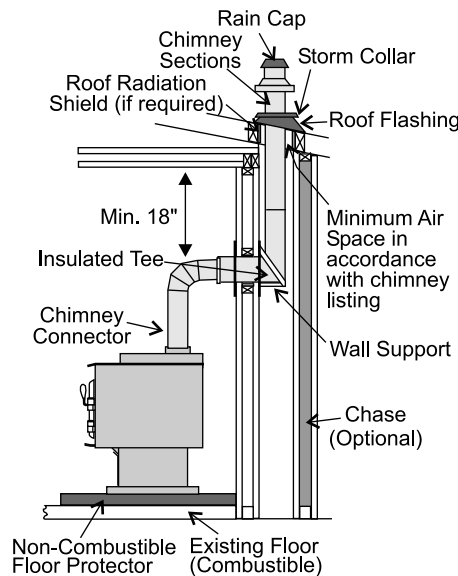


TABLE 1							
MINIMUM RECOMMENDED FLUE HEIGHTS IN METERS							
(Measured from the top of the unit)							
ELEVATION (METERS ABOVE SEA LEVEL)	# OF ELBOWS						
	0	2 x 15°	4 x 15°	2 x 30°	4 x 30°	2 x 45°	4 x 45°
0-305	3.7	4.0	4.3	4.6	5.5	4.9	6.1
305-610	3.8	4.1	4.4	4.7	5.8	5.0	6.4
610-915	4.0	4.3	4.6	4.9	5.9	5.2	6.6
915-1220	4.1	4.4	4.7	5.2	6.1	5.5	6.9
1220-1525	4.3	4.6	4.9	5.3	6.4	5.6	7.0
1525-1830	4.4	4.7	5.2	5.5	6.6	5.8	7.3
1830-2135	4.6	4.9	5.3	5.6	6.9	6.1	7.6
2135-2440	4.7	5.0	5.5	5.8	7.0	6.2	7.8
2440-2745	4.9	5.2	5.6	6.1	7.3	6.4	8.1
2745-3050	5.0	5.3	5.8	6.2	7.5	6.7	8.2

No more than two offsets (four elbows) allowed.



RECOMMENDED HEIGHTS FOR WOODSTOVE FLUE

Simple rules on draft. See Table 1.

- 1) At sea level minimum height is 3.7m straight.
- 2) Add the following vertical height to compensate for:
 - 45 deg. elbow = 0.305m
 - 90 deg. elbow = 0.610m
 - "T" = 0.915m
 Each meter of horizontal run = 2.0m

Example: a)
 1.5m of horizontal run = 3.0m
 one "T" = 0.915m
 Total Addition (at sea level) = 3.9m

Example: b)
 One 90 deg. elbow = 0.610m
 2m of horizontal run = 4.0m
 one "T" = 0.915m
 Total Addition (at sea level) = 5.5m

3) Add 4% overall for each 305m above sea level.

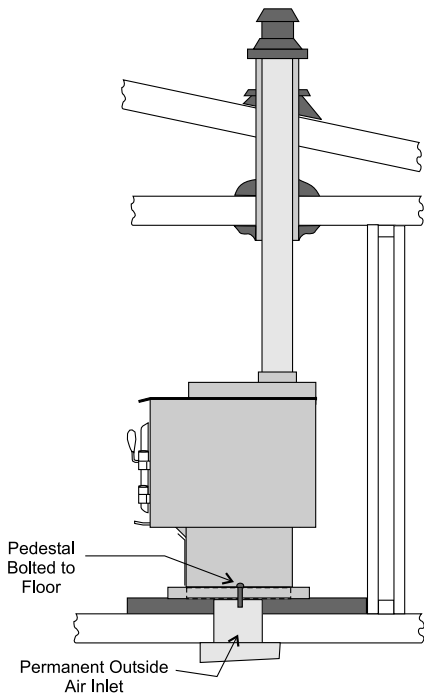
Elevation	Example a)	Example b)
0m	7.6m	9.2m
305m	7.9m	9.6m
610m	8.2m	9.9m
1525m	8.5m	10.3m
2440m	8.8m	10.7m

MOBILE HOME INSTALLATION

Once you have properly marked the position of your unit and the floor protection as outlined in the Residential Installation items #1 through #8, a supply of fresh air has to be supplied to your unit. Cut a minimum 3 inch diameter hole through your floor protector and the floor directly under your pedestal base to the outside. Use 3" (76mm) duct pipe with a mesh grill to pipe fresh air into the pedestal area. Block off the hole in the back of the pedestal with the square plate and the two 1/2" (13mm) screws provided.

Place your unit in position and secure it to the floor using two lag bolts 3/8" x 3-1/2" (9.5mm x 89mm) through the two holes inside the pedestal base. It is important to maintain the structural integrity of the Mobile Home floor, walls and roof when installing your unit.

For Mobile Home units installed in the U.S. the



unit must be grounded using a #8 ground wire with approved termination and star washer.

LISTED COMPONENTS FOR MOBILE HOME INSTALLATION

The Masport Small, Medium and Large Free-standing pedestal units are approved for installation in a Mobile Home if one of the following pipe systems is used.

METALBESTOS SSII

Qty.	Part #	Description
1	6DS-VK	Connector Kit
1	6TMH	Shield/Support
1	6TAF-6	Flashing
1	6T-36	Chimney Length
1	6T-18	Chimney Length
1	6T-CT	Rain Cap

PRO-JET 3103

Qty.	Part #	Description
1	PV06-TK	Connector
1	CSB	Shield/Support
1	RRS	Radiation Shield
1	LFR03	Flashing
1	SL3	Chimney Length
1	SL1	Chimney Length
1	RCSA	Rain Cap

SECURITY ASHT

Qty.	Part #	Description
1	DL42A-6	Connector Kit
1	6SS	Shield/Support
1	6FAMH	Flashing
1	6L3	Chimney Length
1	6L1	Chimney Length

1 CPE Rain Cap

SECURITY S2101

Qty.	Part #	Description
1	DL42A-6	Connector Kit
1	6XSF	Support
1	6XFA	Flashing
1	6XL3	Chimney Length
1	6XL18	Chimney Length
1	6XCPE	Rain Cap

METAL-FAB TEMP/GUARD 2100

Qty.	Part #	Description
1	6DWBK	Connector
1	6TGRS	Roof Support
1	6TGG36	Chimney Length
1	6TGG12	Chimney Length
1	6TGF	Flashing
1	6TGC	Rain Cap

AMERI-TEC HS

Qty.	Part #	Description
1	6DCC	Connector
1	6HSRS-12	Roof Support (6PLRS-12-BK)
1	6F	Flashing
1	6HS-36	Chimney Length
1	6HS-18	Chimney Length
1	6HS-RCS	Rain Cap (6PL-MPC)

SIMPSON DURA-PLUS

Qty.	Part #	Description
1	6DVL8693	Connector Kit
1	6DP-MH9096	Mobile Home Kit

ICC EXCEL 2100

Qty.	Part #	Description
1	6CL48	48" Chimney length (also in 12", 18", 24" lengths.)
1	6RC	Rain Cap
1	6RCS	Spark Screen (for rain cap)
1	6RDS/SQS	Round/Square support box
1	6VF	Flashing
1	6UBA	"Ultrablack" Close Clearance Connector

SECURITY S2101 (see above for details)

ICC EXCEL 2100 (see above for details)

*The use of alternate pitch flashings, support box extensions, additional chimney lengths, and additional chimney bracing, may be used on each of the previously listed systems. These parts though must be from the same system as listed, and must be a similar and/or complimentary part.

CAUTION: At no time use unlabelled parts, or substitute parts made for another chimney system.

Install as per chimney manufacturer's installa-

tion instructions.

BRICK FLUE BAFFLE & SECONDARY AIR TUBE INSTALLATION

The flue baffle system located in the upper area of the firebox is removable to make cleaning your chimney system easier. The brick baffles must be installed prior to your first fire. **Smoke spillage and draft problems may occur if the baffles are improperly positioned.** Check the position of the brick baffles on a regular basis as they can be dislodged if too much fuel is forced into the firebox.

The Montreal Large Stoves F3101L & S3101 are shipped with one of the secondary air tubes loose inside the firebox. This needs to be installed after the brick baffle are installed. Follow the directions below.

Montreal - Large Stoves F3101L & S3101L

The unit arrives with the third air tube (from the front) and the 2 baffle bricks on the floor of the firebox. The baffle bricks are positioned first and then the air tube is installed.

1) Slide the left baffle brick over the front two air tubes and then slide it back over the rear

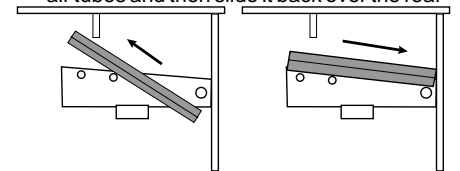


Diagram 5: Side View

Diagram 6: Side View

air tube. Diagrams 5 and 6.

2) Tilt the left baffle brick up on top of the side channel and it will leave enough room to position the right baffle brick in the same manner as Step 1) above. Then reposition the left baffle brick flat on the air tubes.

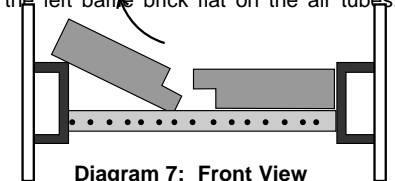


Diagram 7: Front View

Diagram 7.

3) Important: push both baffle bricks so they are tight against the side walls.

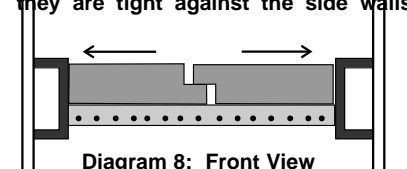


Diagram 8: Front View

INSTALLATION

Diagram 8.

- 4) Install the third (from the front) air tube into the holes on the side channels. The notch goes on the right hand side with the air holes facing forward toward the door opening. If the tube will not slide in easily, simply use a pair of vise grips or pliers, simply use a pair of vise grips or pliers and tap it into place with a hammer. A tighter fit will ensure the tube will not move when the unit is burning.

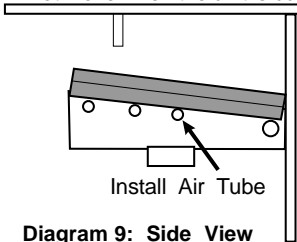


Diagram 9: Side View

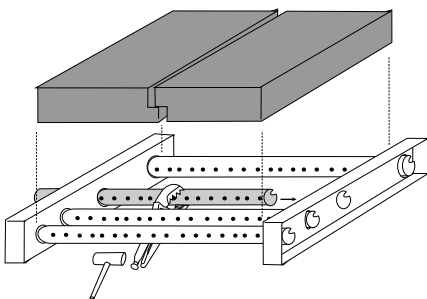


Diagram 10: Air Tube Installation

Diagrams 9 and 10.

Note: When cleaning the chimney reverse the above procedures, removing the air tube and baffle bricks and then replace them when cleaning is completed.

Vancouver - Medium Stoves F2101M / S2101M

The unit arrives with the 2 baffle bricks on the floor of the firebox.

- 1) If all 3 air tubes are installed continue on to Step 2), if not, follow the instructions below. Install the air tube into the holes in the side channels. The notch goes on the right hand side with the air holes facing toward the door. Slide the tube into the left hand side, as far as possible and then bring it back into the hole on the right hand side until it locks into position. If the tube will not slide in easily, simply use a pair of vise grips or pliers and tap it into place with a hammer. A tighter fit will ensure the tube will not move when the unit is burning. See the diagram for the large air tube installation (page 13), though there are only three air tubes in the medium units.
- 2) Slide the left baffle brick over the air tubes from the front and then push it to the back.

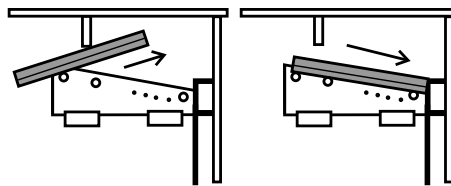


Diagram 11:
Side View

Diagram 12:
Side View

Diagrams 11 and 12.

- 3) Tilt the left baffle brick up on top of the side channel and it will leave enough room to position the right baffle brick in the same manner as Step 1) above. Then reposition the left baffle brick flat on the air tubes.

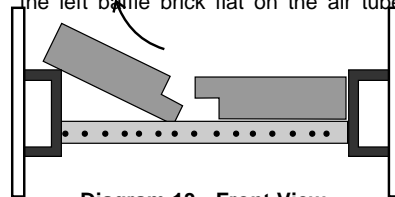


Diagram 13: Front View

Diagram 13.

- 4) Important: push both baffle bricks so they are tight against the side walls.

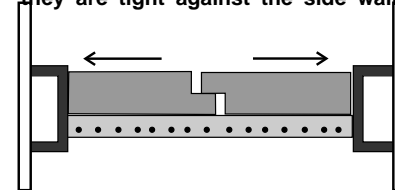


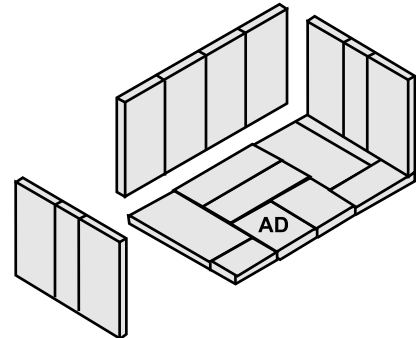
Diagram 14: Front View

Diagram 14.

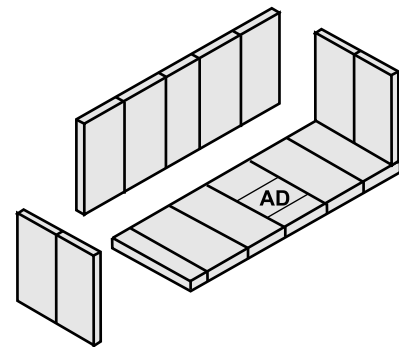
Note: When getting the chimney cleaned, push the brick baffles forward toward the front of the stove, this should leave sufficient access to the flue. If it is not enough space then remove the middle air tube (reverse the procedure in step 1) above), and baffle bricks and then replace everything when cleaning is completed.

BRICK INSTALLATION

Firebrick is included to extend the life of your stove and radiate heat more evenly. Check to see that all firebricks are in their correct positions and have not become misaligned during shipping.



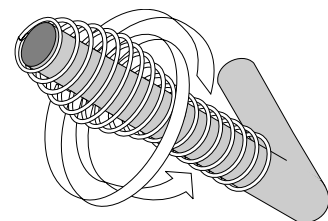
Vancouver - Medium



Montreal - Large

DOOR HANDLE

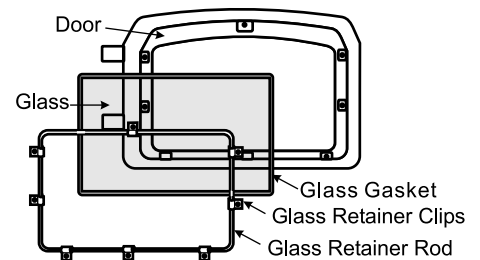
Attach spring handle by rotating counter clockwise onto rod. Ensure that the rod fits into the entire length of the spring handle. See Diagram below.



GLASS INSTALLATION

Your Masport stove is supplied with 5 mm Neoceram ceramic glass that will withstand the highest heat that your unit will produce. In the event that you break your glass by impact, purchase your replacement from an authorized Masport dealer only.

Remove the door from the stove and remove the glass retainer. Position the glass in the door, make sure that the glass gasketing will properly seal your unit, and replace the retainer, it should rest on the gasket not the glass. Tighten securely, but do not wrench down on the glass as this may cause the glass to break.



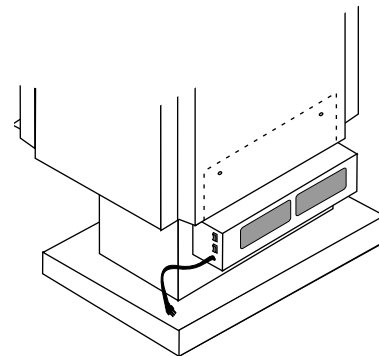
BLOWER/FAN

The blower/fan can be purchased and installed during the initial installation or added on later.

- 1) Remove the two screws from the top of the fan housing.
- 2) Slide the fan up into the rear heat shield.
- 3) After aligning holes, secure the fan to the rear heat shield using the two screws removed earlier.

Note: The connection cord should not be in contact with any hot surfaces.

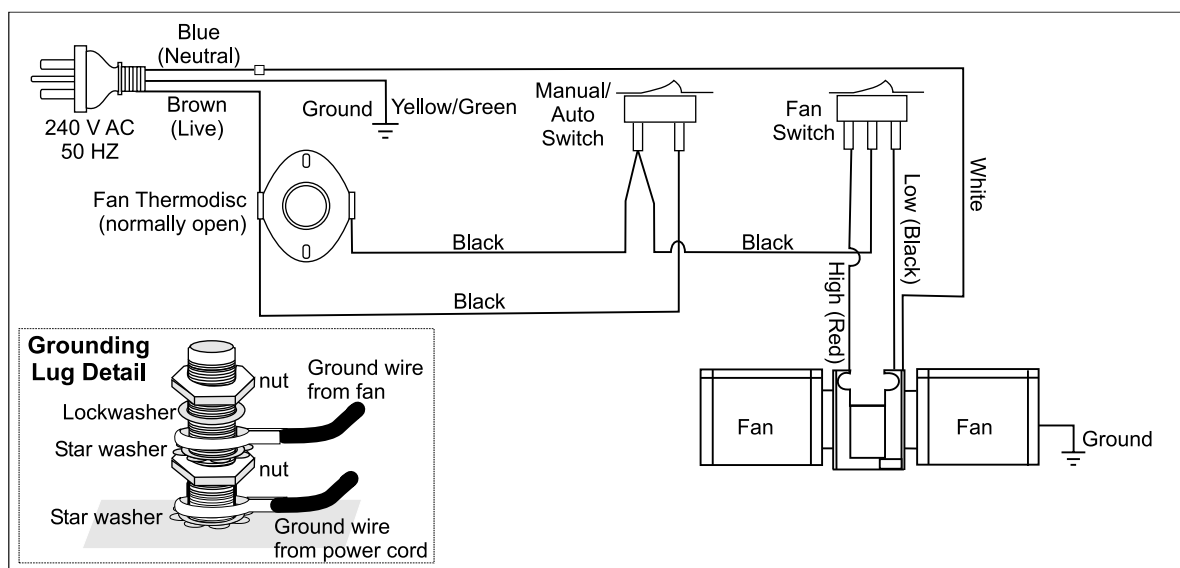
Read the operating instructions for the fan before using. See Page 16.



WARNING: Electrical Grounding Instructions
 This appliance is equipped with a three pronged (grounding) plug for your protection against shock hazard and should be plugged directly into a properly grounded three-prong receptacle. Do not cut or remove the grounding prong from this plug.

CAUTION: Label all wires prior to disconnection when servicing controls. Wiring errors can cause improper and dangerous operation.

Caution: Ensure that the wires do not touch any hot surfaces and are away from sharp edges.



Blower/Fan Wiring Diagram

OPERATING INSTRUCTIONS

OPERATING INSTRUCTIONS

With your unit now correctly installed and safely inspected by your local authority, you are now ready to start a fire. Before establishing your first fire, it is important that you fully understand the operation of your draft control.

DRAFT CONTROL

Both the primary and air wash drafts are controlled by the control rod located on the left side of the unit (when facing the unit). To increase your draft - pull open, and to decrease - push closed. All units have a secondary draft system that continually allows combustion air to the induction ports at the top of the firebox, just below the flue baffle.

Important: If you are using room air for combustion, make sure that the back cover plate at the rear of the pedestal is not installed. The cover plate must be installed on the unit if your stove is located in a mobile home or if using outside air.



WARNING: To build a fire in ignorance or to disregard the information contained in this section can cause serious permanent damage to the unit and void your warranty!!

FIRST FIRE

When your installation is completed and inspected you are ready for your first fire.

- 1) Open control fully.
- 2) Open firebox door and build a small fire using paper and dry kindling. Secure door on the firebox and wait a few minutes for a good updraft in the flue to establish the fire. (Leaving the door slightly open will help your fire start more rapidly.)

CAUTION: Never leave unit unattended if door is left open. This procedure is for fire start-up only, as unit may overheat if door is left open for too long.

- 3) With the draft still in the fully open position add two or three seasoned logs to your fire. Form a trench in the ash bed to allow air to reach the rear of the firebox prior to closing the door.
- 4) After about 15 to 20 minutes, when your

wood has begun to burn strongly, adjust your draft control down to keep the fire at a moderate level.

WARNING: Never build a roaring fire in a cold stove. Always warm your stove up slowly!

- 5) Once a bed of coals has been established, you may adjust the draft control to a low setting to operate the unit at its most efficient mode.
- 6) During the first few fires, keep the combustion rate at a moderate level and avoid a large fire. Only after 5 or 6 such fires can you operate the stove at its maximum setting, and only after the metal has been warmed.
- 7) For the first few days, the stove will give off an odour from the paint. This is to be expected as the high temperature paint becomes seasoned. Windows and/or doors should be left open to provide adequate ventilation while this temporary condition exists. Burning the stove at a very high temperature the first few times may damage the paint. Burn fires at a moderate level the first few days.

8) Do not place anything on the stove top during the curing process. This may result in damage to your paint finish.

9) During the first few days it may be more difficult to start the fire. As you dry out your firebrick and your masonry flue, your draft will increase.

10) For those units installed at higher elevations or into sub-standard masonry fireplaces, drafting problems may occur. Consult an experienced dealer or mason on methods of increasing your draft.

11) Some cracking and popping noises may be experienced during the heating up process. These noises will be minimal when your unit reaches temperature.

12) Before opening your door to reload, open draft fully for approximately 10 to 15 seconds until fire has been re-established. This will minimize any smoking.

13) All fuel burning appliances consume oxygen during operation. It is important that you supply a source of fresh air to your unit while burning. A slightly opened window is sufficient for the purpose. If you also have a fireplace in your home, a downdraft may be created by your Masport Stove causing a draft down your chimney. If this occurs, slightly open a window near your unit.

CAUTION: If the body of your unit, flue baffle or any part of the chimney connector

starts to glow, you are overfiring. Stop loading fuel immediately and close the draft control until the glow has completely subsided.

14) Green or wet wood is not recommended for your unit. If you must add wet or green fuel, open the draft control fully until all moisture has been dispersed by the intense fire. Once all moisture has been removed, the draft control may be adjusted to maintain the fire.

15) If you have been burning your stove on a low draft, use caution when opening the door. After opening the damper, open the door a crack, and allow the fire to adjust before fully opening the door.

16) The controls of your unit or the air supply passages should not be altered to increase firing for any reason.

17) If you burn the unit too slowly or at too low a setting your unit will not be operating as efficiently as it can. An easy rule of thumb says that if your glass is clean, then your flue is clean and your exhaust is clean. Burn the stove hot enough to keep your glass clean and you won't need to clean your flue as often.

FAN OPERATION

Automatic

To operate the fan automatically, push the bottom switch on the side of the fan housing to "AUTO" and the top switch to either "HIGH" or "LOW" for fan speed.

This will allow the fan to turn on as the stove has come up to operating temperature. It will also shut the fan system off after the fire has gone out and the unit cooled to below a useful heat output range.

Manual

To manually operate the fan system push the bottom switch to "MAN" and the top switch to either "HIGH" or "LOW". This will bypass the sensing device and allow full control of the fan. Switching from "AUTO" to "MAN" or "HIGH" to "LOW" may be done anytime.

ASH DISPOSAL

During constant use, ashes should be removed every few days.

Safety Precautions

- 1) Do not allow ashes to build up to the loading doors! Only remove ashes when the fire has died down. Even then, expect to find a few hot embers.
- 2) Please take care to prevent the build-up of ash around the start-up air housing located inside the stove box, under the loading door lip.

SAFETY GUIDELINES & WARNINGS

- 1) Never use gasoline, gasoline type lantern fuels, kerosene, charcoal lighter fuel, or similar liquids to start or 'freshen up' a fire in your heater. Keep all such liquids well away from the heater while it is in use.
- 2) Keep the door closed during operation and maintain all seals in good condition.
- 3) Do not burn any quantities of paper, garbage, and never burn flammable fluids such as gasoline, naphtha or engine oil in your stove.
- 4) If you have smoke detectors, prevent smoke spillage as this may set off a false alarm.
- 5) Do not overfire heater. If the chimney connector, flue baffle or the stove top begin to glow, you are overfiring. Stop adding fuel and close the draft control. Overfiring can cause extensive damage to your stove including warpage and premature steel corrosion. Overfiring will void your warranty.
- 6) Do not permit creosote or soot build-up in the chimney system. Check and clean chimney at regular intervals. Failure to do so can result in a serious chimney fire.
- 7) Your Masport stove can be very hot. You may be seriously burned if you touch the stove while it is operating, keep children, clothing and furniture away. Warn children of the burn hazard.
- 8) The stove consumes air while operating, provide adequate ventilation with an air duct or open a window while the stove is in use.
- 9) Do not connect this unit to a chimney flue serving another appliance.
- 10) Do not use grates or andirons or other methods for supporting fuel. Burn directly

on the bricks.

- 11) Open the draft control fully for 10 to 15 seconds prior to slowly opening the door when refuelling the fire.
- 12) Do not connect your unit to any air distribution duct.
- 13) Your woodstove should burn dry, standard firewood only. The use of cut lumber, plywood, "mill ends", etc. is discouraged as this fuel can easily overheat your woodstove. Evidence of excessive overheating will void your warranty. As well, a large portion of sawmill waste is chemically treated lumber, which is illegal to burn in many areas. Salt drift wood and chemically treated fire logs also must not be burned in your woodstoves.
- 14) Do not store any fuel closer than 2 feet from your unit. Do not place wood, paper, furniture, drapes or other combustibles near the appliance.
- 15) **WARNING: Do not operate without either the Ash Plug properly seated or the Ash Dump Plates screwed in place, excessive temperatures will result.**
- 16) Do not operate with broken glazing.

MAINTENANCE

It is very important to carefully maintain your fireplace stove, including burning seasoned wood and maintaining a clean stove and chimney system. Have the chimney cleaned before the burning season and as necessary during the season, as creosote deposits may build up rapidly. Moving parts of your stove require no lubrication.

CREOSOTE

When wood is burned slowly, it produces tar and other organic vapours, which when combined with moisture, form creosote. The creosote vapours condense in the relatively cool chimney flue of a slow burning fire. As a result, creosote residue accumulates on the flue lining. When ignited, this creosote can result in an extremely hot fire.

WARNING: Things to remember in case of a chimney fire:

1. Close all draft and damper controls.
2. CALL THE FIRE DEPARTMENT.

Ways to Prevent and Keep Unit Free of Creosote

- 1) Burn stove with the draft control wide open for about 10-15 minutes every morning during burning season.
- 2) Burn stove with draft control wide open for about 10 - 15 minutes every time you apply fresh wood. This allows the wood to achieve the charcoal stage faster and burns up any unburned gas vapours which might otherwise be deposited within the system.
- 3) **Only burn seasoned wood!** Avoid burning wet or green wood. Seasoned wood has been dried at least one year.
- 4) A small hot fire is preferable to a large smouldering one that can deposit creosote within the system.
- 5) Check the chimney at least twice a month during the burning season for creosote build-up.
- 6) Have chimney system and unit cleaned by competent chimney sweeps twice a year during the first year of use and at least once a year thereafter or when a significant layer of creosote has accumulated (3 mm/1/8" or more) it should be removed to reduce the risk of a chimney fire.

MAINTENANCE OF GOLD-PLATED DOORS

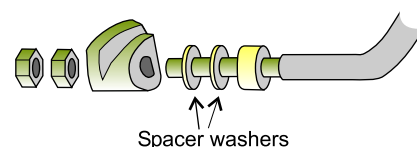
The gold electroplated finish on the door requires little maintenance, and need only be cleaned with a damp cloth. DO NOT use abrasive materials or chemical cleaners, as they may harm the finish and void the warranty.

LATCH ADJUSTMENT

The door latch may require adjustment as the door gasket material compresses after a few fires. Removal of the spacer washer, shown in the diagram below, will allow the latch to be moved closer to the door frame, causing a tighter seal. Remove and replace the nuts, washer and spacer as shown.

DOOR GASKET

If the door gasket requires replacement 7/8"



MAINTENANCE

diameter material must be used. Masport uses AMATEX # 10-863KR 7/8" dia. gasket. A proper high temperature gasket adhesive is required. See your Masport Dealer.

GLASS MAINTENANCE

Your Masport stove is supplied with 5 mm

Neoceram ceramic glass that will withstand the highest heat that your unit will produce. In the event that you break your glass by impact, purchase your replacement from an authorized Masport dealer only, and follow our step-by-step instructions for replacement.

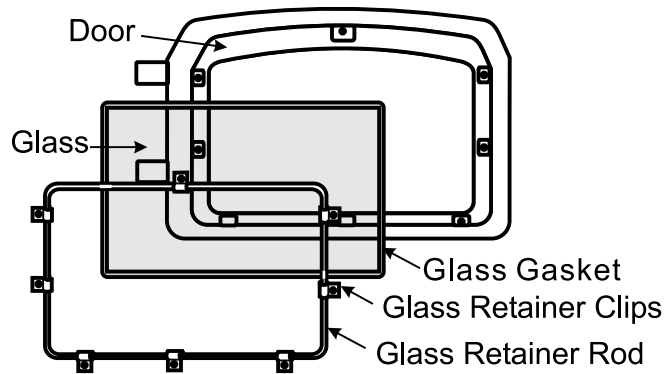
Allow the stove to cool down before cleaning the glass, do not clean the glass when it is hot. Do not use abrasive cleaners.

Glass Replacement

Allow the stove to cool before removing or replacing glass. Remove the door from the

stove and remove the glass retainer. Use caution when removing broken glass to avoid injury. When placing the replacement glass in the door, make sure that the glass gasketing will properly seal your unit. Replace the retainer, it should rest on the gasket not the glass, and tighten securely, but do not wrench down on the glass as this may cause breakage.

Do not use substitute materials. If your glass does break, do not continue to use your unit until it has been replaced.

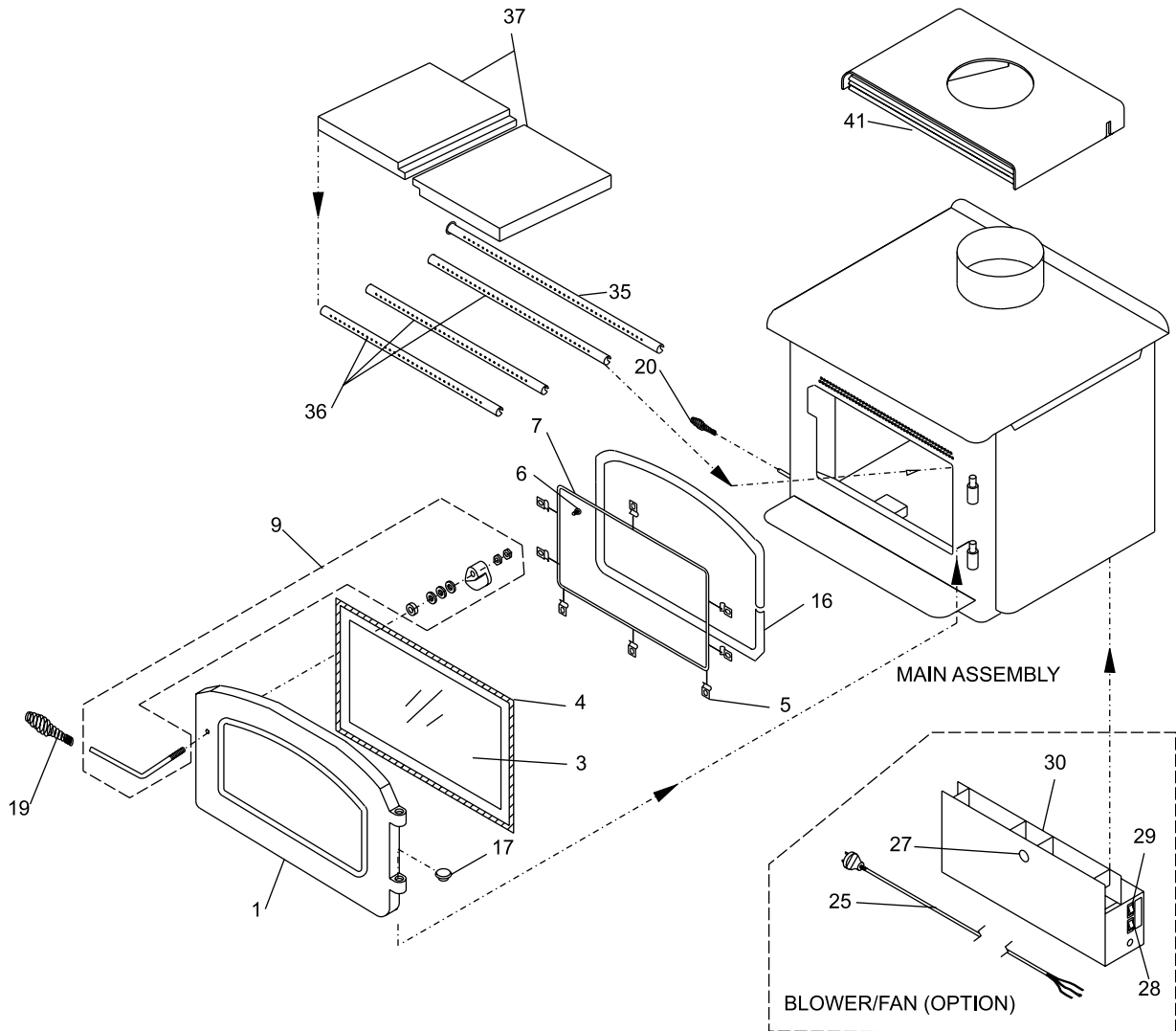


REPLACEMENT / SPARE PARTS LIST

F2101 & F3101 - MAIN ASSEMBLY

Part # Australia	Part # New Zealand	Description	Part # Australia	Part # New Zealand	Description	
1)	846-913	Door Assy-Gold F2101 (no glass)	846-513		Complete Fan/Blower Assy	
	846-915	Door Assy-Black F2101 (no glass)	25)	815-565	560061	Power Cord (240V)
	846-910	Door Assy-Gold F3101 (no glass)	27)	910-142	560037	Fan Thermodisc Auto/ON/OFF
	846-916	Door Assy-Black F3101 (no glass)	28)	910-138		2-way Manual/Auto Switch
3)	846-302	Glass - Medium - F2101	29)	910-140	560036	3-way Fan Speed Switch
	846-304	Glass - Large - F3101	30)	910-155/P	560023	Fan/Blower Motor (240V)
4)	936-243	560087	35)	063-954		Air Tube - 1" F3101 (qty 1)
5)	846-920	560202	36)	033-953		Air Tube - 3/4" F2101 (qty 3)
6)	*	Screw - 1/4 - 20 x 3/8"		063-953		Air Tube - 1" F3101 (qty 3)
7)	948-170/P	Small Glass Retainer	37)	033-955		Baffle (set) F2101
	948-172/P	Large Glass Retainer		063-955		Baffle (set) F3101
9)	846-973	Door Handle Assembly	41)	850-105		Airmate - F2101
16)	846-570	560203		850-305		Airmate - F3101
17)	846-918	560204				
19)	948-101	560208				
20)	948-102	Spring Handle - Small				

*Not available as a replacement part.

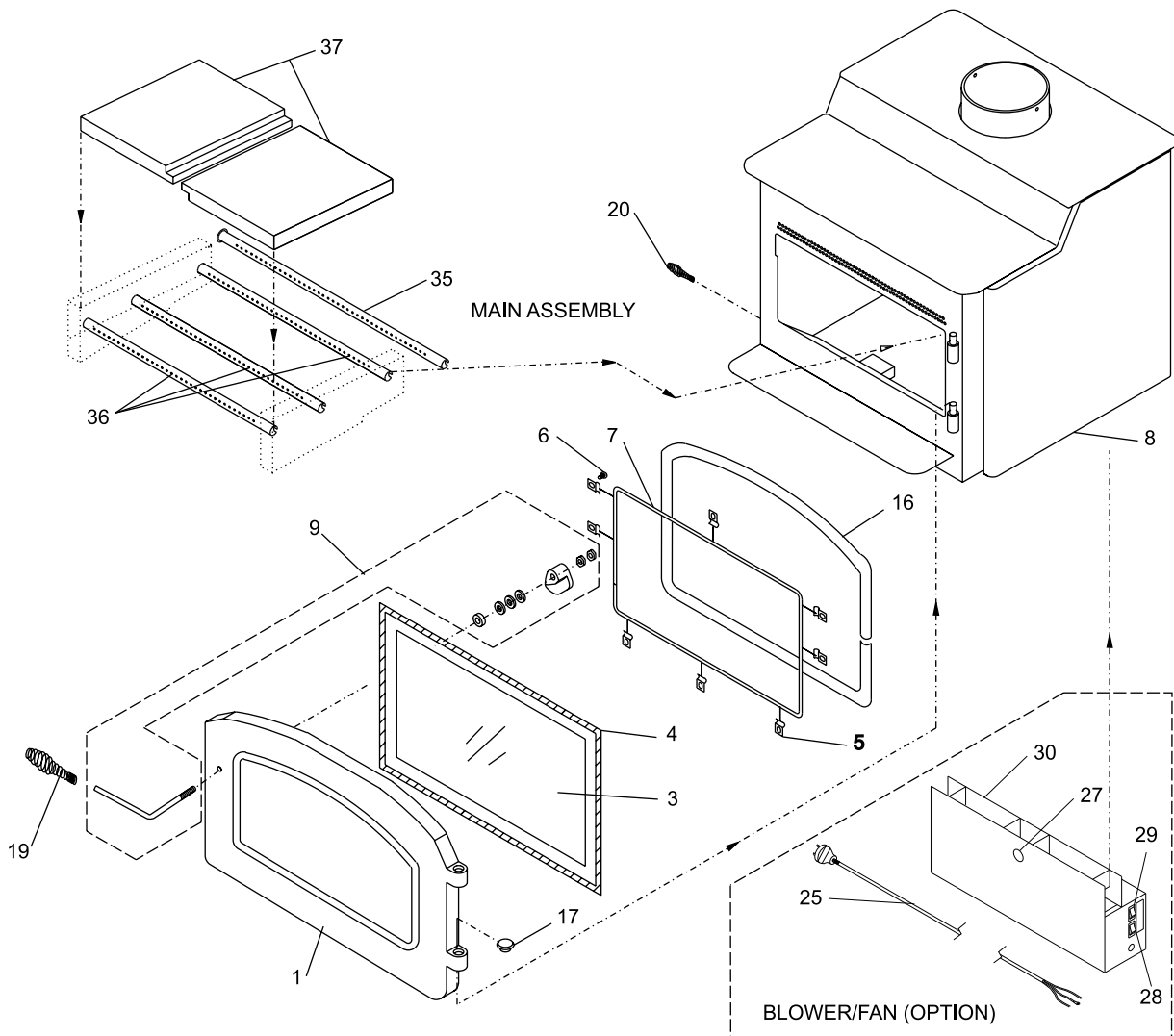


REPLACEMENT / SPARE PARTS LIST

S2101 & S3101 STEP STOVE MAIN ASSEMBLY

Part # Australia	Part # New Zealand	Description	Part # Australia	Part # New Zealand	Description
1)	846-913	Med. Door Assy-Gold S2101 (no glass)	17)	846-918	Hinge Cap - Gold (2/set)
	846-915	Med. Door Assy-Black S2101 (no glass)	19)	948-101	Spring Handle - Large
	846-910	Lg. Door Assy-Gold S3101 (no glass)	20)	948-102	Spring Handle - Small
	846-916	Lg. Door Assy-Black S3101 (no glass)		846-513	Fan - Complete Assembly (240 V)
3)	846-302	Glass - Medium - S2101	25)	815-565	560061 Power Cord (240V)
	846-304	Glass - Large - S3101	27)	910-142	560037 Fan Thermodisc Auto/ON/OFF
4)	936-243	560087 7/8" Gasket	28)	910-138	2-way Manual/Auto Switch
5)	846-920	560202 Glass Retainer Clips (8/set)	29)	910-140	3-way Fan Speed Switch
6)	*	Screw - 1/4 - 20 x 3/8"	30)	910-155/P	560023 Fan/Blower Motor (240V)
7)	948-170/P	Small Glass Retainer - S2101	35)	063-954	Air Tube - 1" S3101 (Qty:1)
	948-172/P	Large Glass Retainer - S3101	36)	033-953	Air Tube - 3/4" S2101 (Qty: 3)
8)	130-006	Side Panel - Right - S2101		063-953	Air Tube - 1" S3101 (Qty: 3)
	130-005	Side Panel - Left - S2101	37)	033-955	Baffle (set) S2101
	150-006	Side Panel - Right - S3101		063-955	Baffle (set) S3101
	150-005	Side Panel - Left - S3101			
9)	846-973	Door Handle Assembly			
16)	846-570	560203 7/8" Door Gasket Repair Kit			

*Not available as a replacement part.



REPLACEMENT / SPARE PARTS LIST

BOTTOM SHIELD & LEG AND BRICKS

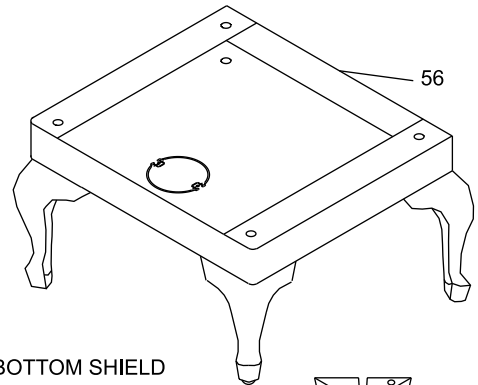
Part # Part # Description
Australia New Zealand

Bottom Shield & Leg Option

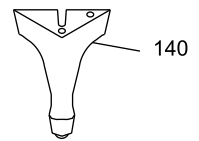
56)	850-320		Montreal Complete Bottom Shield-Large
56)	850-220		Vancouver Complete Bottom Shield-Medium
140)	850-126	551951	Cast Legs - Black
	850-125		Steel Legs - Black

Brick Installation

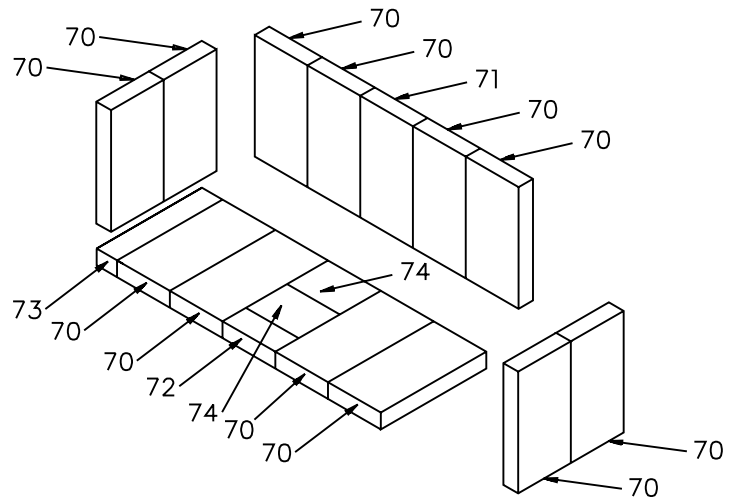
70)	902-111	Brick - 114mm x 229mm
71)	802-104	Brick - 102mm x 229mm
72)	802-122	Brick - 51mm x 114mm
73)	802-146	Brick - 45mm x 229mm
74)	802-147	Brick - 114mm x 89mm
76)	802-152	Brick - 51mm x 229mm
77)	802-145	Brick - 83mm x 229mm
78)	802-149	Brick - 114mm x 83mm
79)	802-153	Brick - 114mm x 57 mm
80)	802-154	Brick - 165mm x 57mm



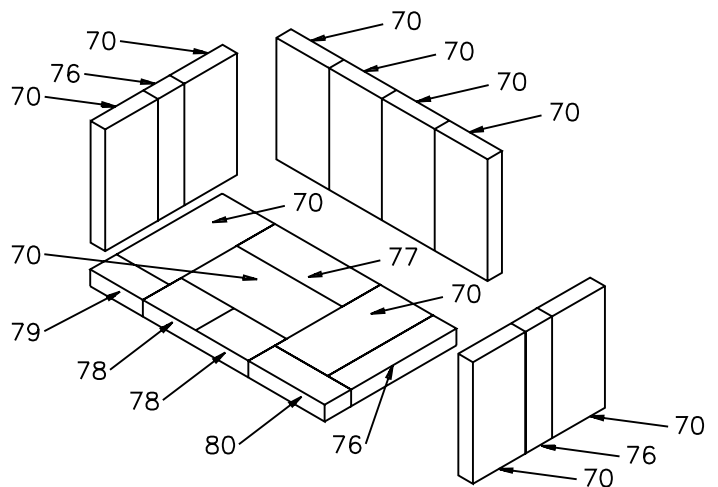
BOTTOM SHIELD



CAST LEG



Montreal - Large Stove F3101



Vancouver - Medium Stove F2101

THE MASPORT EXPRESS WARRANTY FOR WOODFIRES AND POT BELLY STOVES

Important:

For all Masport Woodfires and Pot Belly Stoves, please read the Owner Manual and this Express Warranty before using the product. This Express Warranty does not cover damage due to misuse or failure to follow the operating and installation instructions.

The Details:

Masport's obligation under this Express Warranty, based on the details outlined is limited to the repair or replacement, (at its option), by an approved Masport Gas Service Agent (Retailer) of any part found to be defective in material or workmanship. The decision to repair or replace will be made by Masport or its agent and actioned by an approved Masport Specialist Heating Retailer. Masport can accept no obligation whatsoever for any incidental, consequential or special damages or expenses resulting from any product defect. This Express Warranty applies from the date of original purchase.

All new Masport Woodfires and Pot Belly Stoves are warranted for the following periods to be free from defects in material or workmanship under normal use and service.

Pot Belly Stove	10 years	5 years
Woodfire Firebox	10 years	5 years
(Baffles, Firebricks, Air Tubes, Fans, Panels and other parts not specifically excluded).	1 year	1 year

Express Warranty excludes: There is no Masport Express Warranty on flues, flue accessories, or pot belly stove grates.

This Express Warranty Does Not Cover:

1. Defects, malfunctions or failures caused by incorrect installation, normal wear and tear, misuse, neglect, accidental damage or failure to follow the fuel selection, product operating and maintenance instructions, or resulting from installations, repairs or modifications to the equipment carried out by unauthorised persons.
2. Defects, malfunctions or failures caused by an act or omission of other persons after the product has left Masport's control.
3. The costs of collection and delivery of the equipment.

The Express Warranty is not intended to

exclude any rights the purchaser may have under the laws of the place, state, or country of purchase. Nothing in this Express Warranty limits or restricts any other statutory right or remedy available to the purchaser.

How You Obtain Warranty Service:
Provide proof of the date of purchase. Should the need for a warranty claim arise reasonable proof of the purchase date is required therefore you should retain your sales receipt.

Make the faulty part(s) available for inspection by Masport and/or its agents so that the validity of the claim can be established by them.

Product	Parts	Labour
---------	-------	--------

Australia Distributor:

Masport Pty Limited
P.O. Box 533
Braeside, Victoria, 3195

New Zealand:

Masport Limited
P.O. Box 14-349
Panmure
Auckland 6

For your own records, please complete the following:

Model: _____ Serial Number: _____
Retailer: _____ _____
Purchase Date: _____