



LED Dancefloor

ORDERCODE 42300



SHOWELECTRONICS FOR PROFESSIONALS

Congratulations!

You have bought a great, innovative product from Showtec.
The Showtec LED Dancefloor brings excitement to any venue.

You can rely on Showtec, for more excellent lighting products.
We design and manufacture professional light equipment for the entertainment industry.
New products are being launched regularly. We work hard to keep you, our customer, satisfied.
For more information: iwant@showtec.info

You can get some of the best quality, best priced products on the market from Showtec.
So next time, turn to Showtec for more great lighting equipment.
Always get the best -- with Showtec !

Thank you!



Showtec LED Dancefloor™ Product Guide

Warning	2
Safety-instructions.....	2
Operating Determinations.....	3
Description	5
Features and Overview	5
Backside.....	5
Set Up and Operation	6
DMX Mode.....	6
Sound-Active Mode.....	7
Master/Slave Mode.....	8
Maintenance	9
Troubleshooting	9
No Light.....	9
Replacing the Fuse.....	9
Product Specifications	10

WARNING



**FOR YOUR OWN SAFETY, PLEASE READ THIS USER MANUAL CAREFULLY
BEFORE YOUR INITIAL START-UP!**

SAFETY INSTRUCTIONS

Every person involved with the installation, operation and maintenance of this device has to:

- be qualified
- follow the instructions of this manual



Before your initial start-up, please make sure that there is no damage caused by transportation. Should there be any, consult your dealer and do not use the device.

To maintain perfect condition and to ensure a safe operation, it is absolutely necessary for the user to follow the safety instructions and warning notes written in this manual.

Please consider that damages caused by manual modifications to the device are not subject to warranty.

This device contains no user-serviceable parts. Refer servicing to qualified technicians only.

IMPORTANT:

The manufacturer will not accept liability for any resulting damages caused by the non-observance of this manual or any unauthorized modification to the device.

- Never let the power-cord come into contact with other cables! Handle the power-cord and all connections with the mains with particular caution!
- Never remove warning or informative labels from the unit.
- Do not open the device and do not modify the device.
- Do not connect this device to a dimmerpack.
- Do not shake the device. Avoid brute force when installing or operating the device.
- Never look directly into the light source.
- Never leave any cables lying around.
- Do not switch the device on and off in short intervals, as this would reduce the lamp's life.
- Never use the device during thunderstorms, unplug the device immediately.
- Only use device indoor, avoid contact with water or other liquids.
- Avoid flames and do not put close to flammable liquids or gases.
- Only operate the device after having familiarized with its functions.
- Always allow free air space of at least 50 cm around the unit for ventilation.
- Always disconnect power from the mains, when device is not used or before cleaning! Only handle the power-cord by the plug. Never pull out the plug by tugging the power-cord.
- Make sure that the device is not exposed to extreme heat, moisture or dust.
- Make sure that the available voltage is not higher than stated on the rear panel.

- Make sure that the power-cord is never crimped or damaged. Check the device and the power-cord from time to time.
- The cable insert or the female part in the device must never be strained. There must always be sufficient cable to the device. Otherwise, the cable may be damaged which may lead to deadly electrical shocks.
- If the external cable is damaged, it has to be replaced by a qualified technician.
- If device is dropped or struck, disconnect mains power supply immediately. Have a qualified engineer inspect for safety before operating.
- If the device has been exposed to drastic temperature fluctuation (e.g. after transportation), do not switch it on immediately. The arising condensation water might damage your device. Leave the device switched off until it has reached room temperature.
- If your Showtec device fails to work properly, discontinue use immediately. Pack the unit securely (preferably in the original packing material), and return it to your Showtec dealer for service.
- For adult use only. Lighteffect must be installed out of the reach of children. Never leave the unit running unattended.
- The user is responsible for correct positioning and operating of the LED Dancefloor. The manufacturer will not accept liability for damages caused by the misuse or incorrect installation of this device.
- This device falls under protection class I. Therefore it is essential to connect the yellow/green conductor to earth.
- Repairs, servicing and electric connection must be carried out by a qualified technician.
- For replacement use fuses of same type and rating only.
- WARRANTY: Till one year after date of purchase.



OPERATING DETERMINATIONS

This device is not designed for permanent operation. Consistent operation breaks will ensure that the device will serve you for a long time without defects.

The minimum distance between light-output and the illuminated surface must be more than 0,5 meters.

The maximum ambient temperature $t_a = 45^\circ\text{C}$ must never be exceeded.

The relative humidity must not exceed 50 % with an ambient temperature of 45°C .

If this device is operated in any other way, than the one described in this manual, the product may suffer damages and the warranty becomes void.

Any other operation may lead to dangers like short-circuit, burns, electric shock, lamp explosion, crash etc.


You endanger your own safety and the safety of others!

Improper installation can cause serious damage to people and property !

Connection with the mains

Connect the device to the mains with the power-plug.

Always pay attention, that the right color cable is connected to the right place.

Cable	Pin	International
BROWN	FASE	L
BLUE	NUL	N
YELLOW/GREEN	EARTH	

Make sure that the device is always connected properly to the earth!

Description of the device

Features

The LED Dancefloor is a fabulous LED Lighteffect from Showtec.

- Never change lamps again!
- Each element is divided into 4 sections.
- 3-channel mode (the whole LED Dancefloor will have the same colour), or 12-channel mode (each section can be controlled separately).
- Topcover of the LED Dancefloor is made of 12mm. strong plastic (Lecran).
- Plug-&-Play

Overview

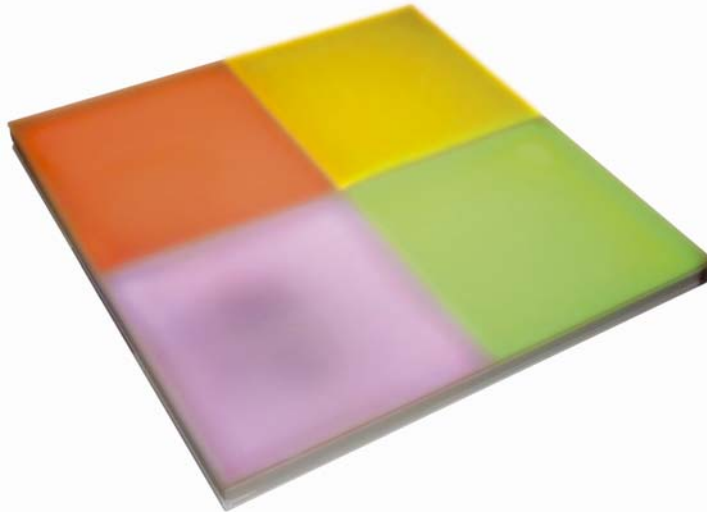


Fig. 1

Backside

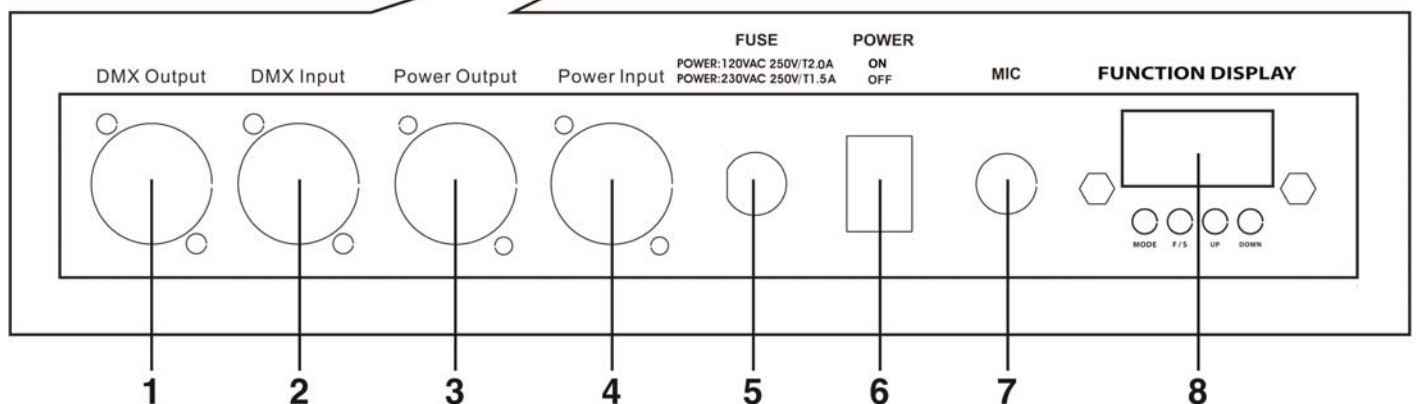
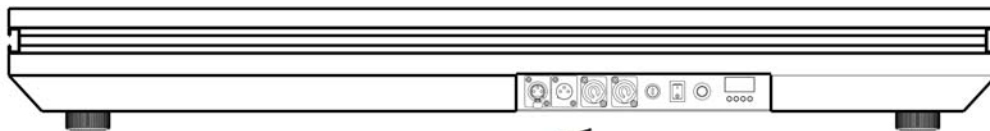


Fig. 2

- 1) XLR Output (DMX IN)
- 2) XLR Input (DMX OUT)
- 3) Powercon Output
- 4) Powercon Input

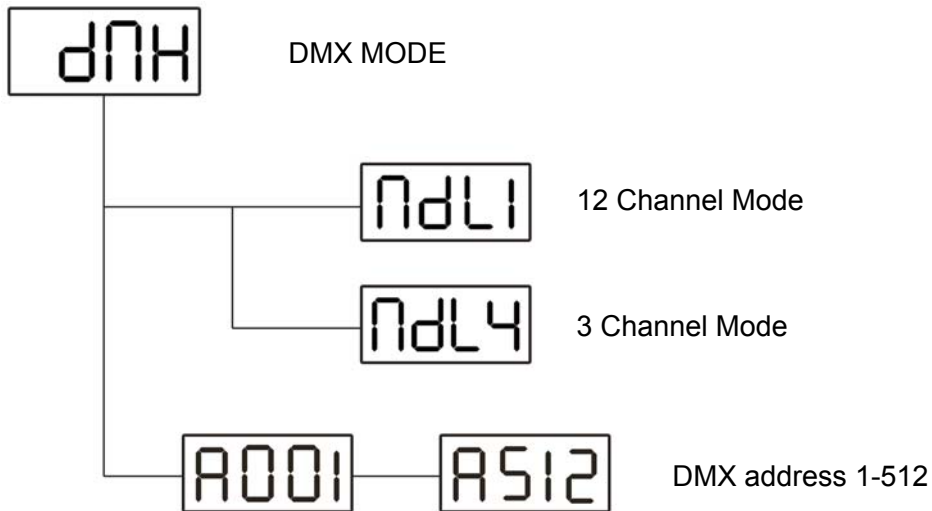
- 5) Fuse 1,5A
- 6) ON / OFF
- 7) Microphone
- 8) Function Display

Set Up and Operation

Before plugging the unit in, always make sure that the power supply matches the product specification voltage. Do not attempt to operate a 120V specification product on 230V power, or vice versa.

**Always disconnect from electric mains power supply before cleaning or servicing.
Damages caused by non-observance are not subject to warranty.**

DMX Operation



1. Press the MODE button until the display reads **dNH** (DMX Mode).
2. Press the F/S button to start the DMX channel setting.



DMX Mode 1 : 12-channel operation (Control each LED Dancefloor section separately)



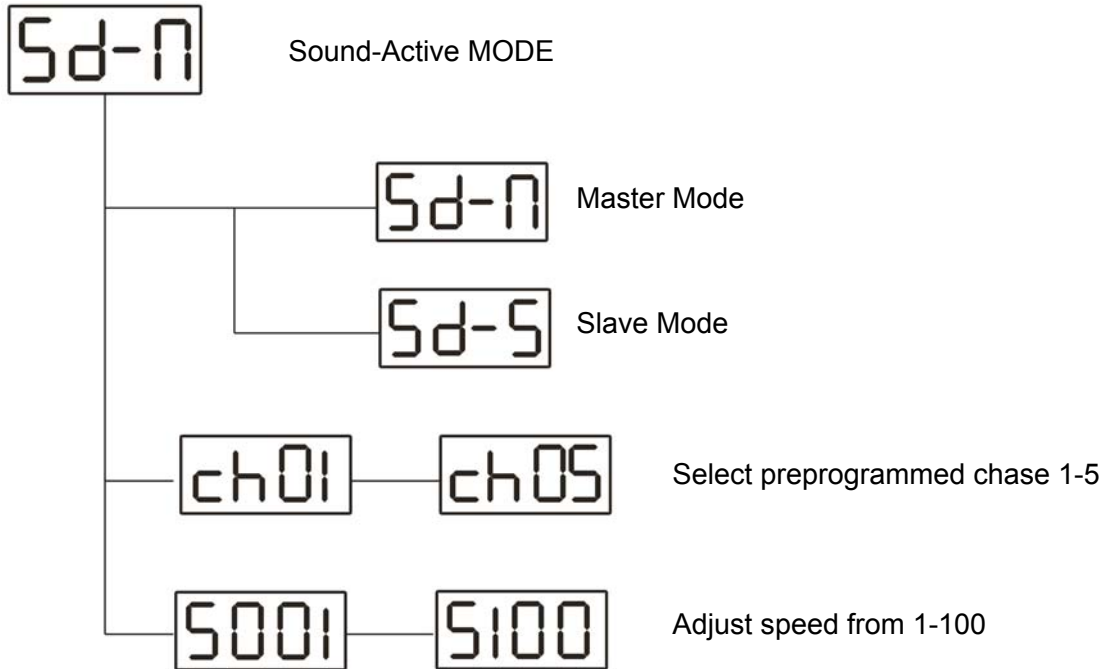
DMX Mode 2 : 3-channel operation (Control all 4 sections of the LED Dancefloor as one big piece)

3. Press the F/S button to start the DMX address setting. Use the UP and DOWN buttons to select the DMX address.

There are 512 DMX addresses: **A001** - **A512**

4. The DMX Channel functions are:
Channel 1: Red (0-255)
Channel 2: Green (0-255)
Channel 3: Blue (0-255)

Sound-active Operation



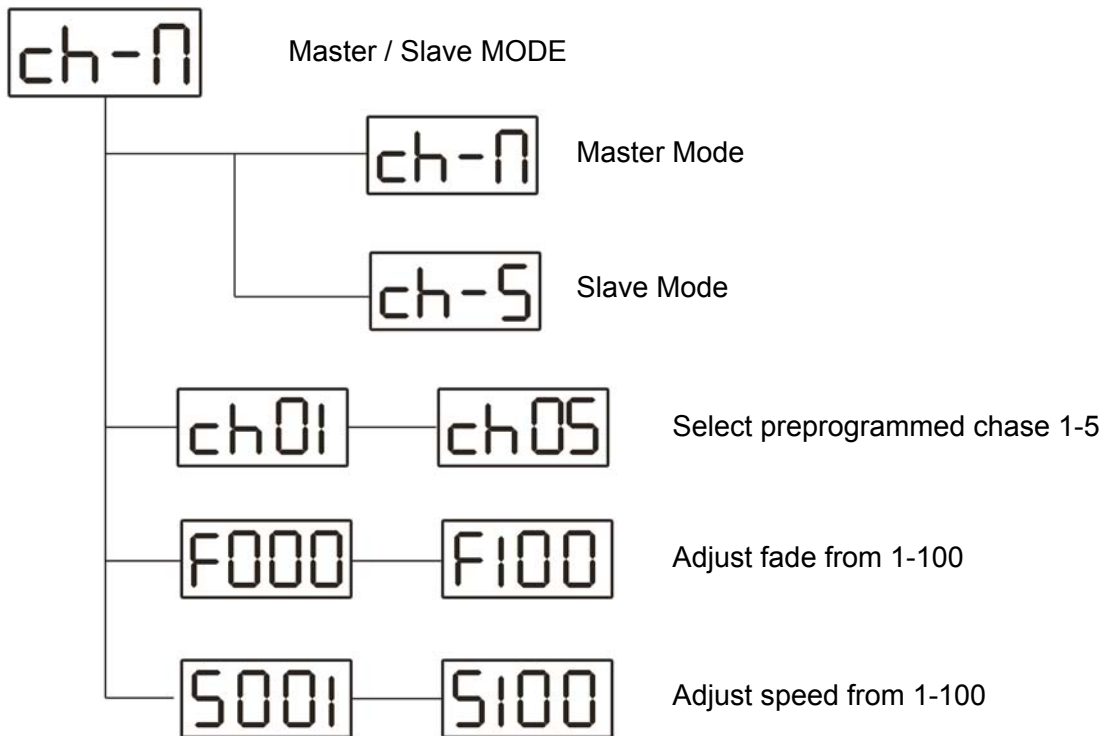
1. Press the MODE button until the display reads **Sd-n** (Sound Active Mode).
2. Use the UP and DOWN buttons to select Master / Slave.

Sd-n **Master**

Sd-S **Slave**

3. Press the F/S button to adjust the Speed.
You can adjust the speed from: **S001** - **S100**
4. Press the F/S button to choose the desired Chase.
You can adjust the chase from: **ch01** - **ch05**

Master / Slave Mode



1. Press the MODE button until the display reads **ch-n** (Master/Slave Mode).
2. Use the UP and DOWN buttons to select Master / Slave.

ch-n Master

ch-S Slave

3. Press the F/S button to choose the desired Chase.
You can adjust the chase from: **ch01** - **ch05**
4. Press the F/S button to adjust the Chase Fade Time.
You can adjust the fade from: **F000** - **F100**
5. Press the F/S button to adjust the Speed.
You can adjust the speed from: **S001** - **S100**

Maintenance

The operator has to make sure that safety-relating and machine-technical installations are to be inspected by an expert after every four years in the course of an acceptance test.

The operator has to make sure that safety-relating and machine-technical installations are to be inspected by a skilled person once a year.

The following points have to be considered during the inspection:

1. All screws used for installing the device or parts of the device have to be tightly connected and must not be corroded.
2. There may not be any deformations on housings, fixations and installation spots.
3. Mechanically moving parts like axles, eyes and others may not show any traces of wearing.
4. The electric power supply cables must not show any damages or material fatigue.

The Showtec LED Dancefloor requires almost no maintenance. However, you should keep the unit clean. Otherwise, the fixture's light-output will be significantly reduced. Disconnect the mains power supply, and then wipe the cover with a damp cloth. Do not immerse in liquid. Wipe lens clean with glass cleaner and a soft cloth. Do not use alcohol or solvents. Keep connections clean. Disconnect electric power, and then wipe the connections with a damp cloth. Make sure connections are thoroughly dry before linking equipment or supplying electric power.

Troubleshooting

This troubleshooting guide is meant to help solve simple problems.

If a problem occurs, carry out the steps below in sequence until a solution is found. Once the unit operates properly, do not carry out following steps.

1. If the device does not operate properly, unplug the device.
2. Check the fuse, power from the wall, all cables etc.
3. If all of the above appears to be O.K., plug the unit in again.
4. If you are unable to determine the cause of the problem, do not open the LED Dancefloor, as this may damage the unit and the warranty will become void.
5. Return the device to your Showtec dealer.

No Light

This troubleshooting guide is meant to help solve simple problems. If a problem occurs, carry out the steps below in sequence until a solution is found. Once the unit operates properly, do not carry out following steps.

If the light effect does not operate properly, refer servicing to a technician.

Response: Suspect three potential problem areas: the power supply, the LEDs or the fuse.

1. Power supply. Check that the unit is plugged into an appropriate power supply.
2. The LEDs. Return the LED Dancefloor to your Showtec dealer.
3. The fuse. Replace the fuse.

Replacing the Fuse

Power surges, short-circuit or inappropriate electrical power supply may cause a fuse to burn out. If the fuse burns out, the product will not function whatsoever. If this happens, follow the directions below to do so.

1. Unplug the unit from electric power source.
2. Insert a screwdriver into the slot in the fuse cover. Turn the screwdriver to the left, at the same time gently push a bit (Turn and Push). The fuse will come out.
3. Remove the used fuse. If brown or unclear, it is burned out.
4. Insert the replacement fuse into the holder where the old fuse was. Reinsert the fuse cover. Be sure to use a fuse of the same type and specification. See the product specification label for details.

Product Specification

Model: Showtec LED Dancefloor

Voltage: AC 230V-50Hz (CE)

Power: 80W

Fuse: F1.5A, 250V

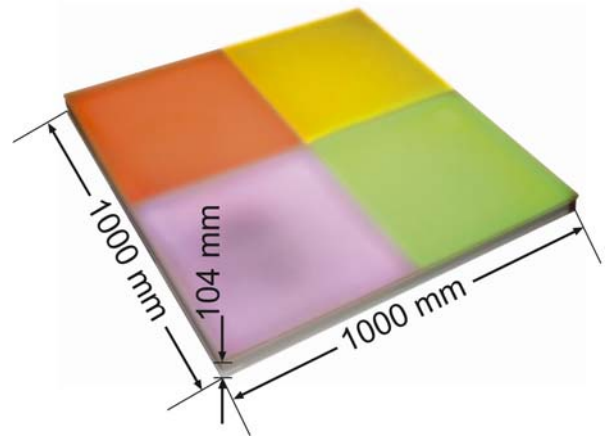
Neutrik Powercon connectors (input and output)

XLR connectors (DMX input and output)

Sound-controlled via built-in microphone

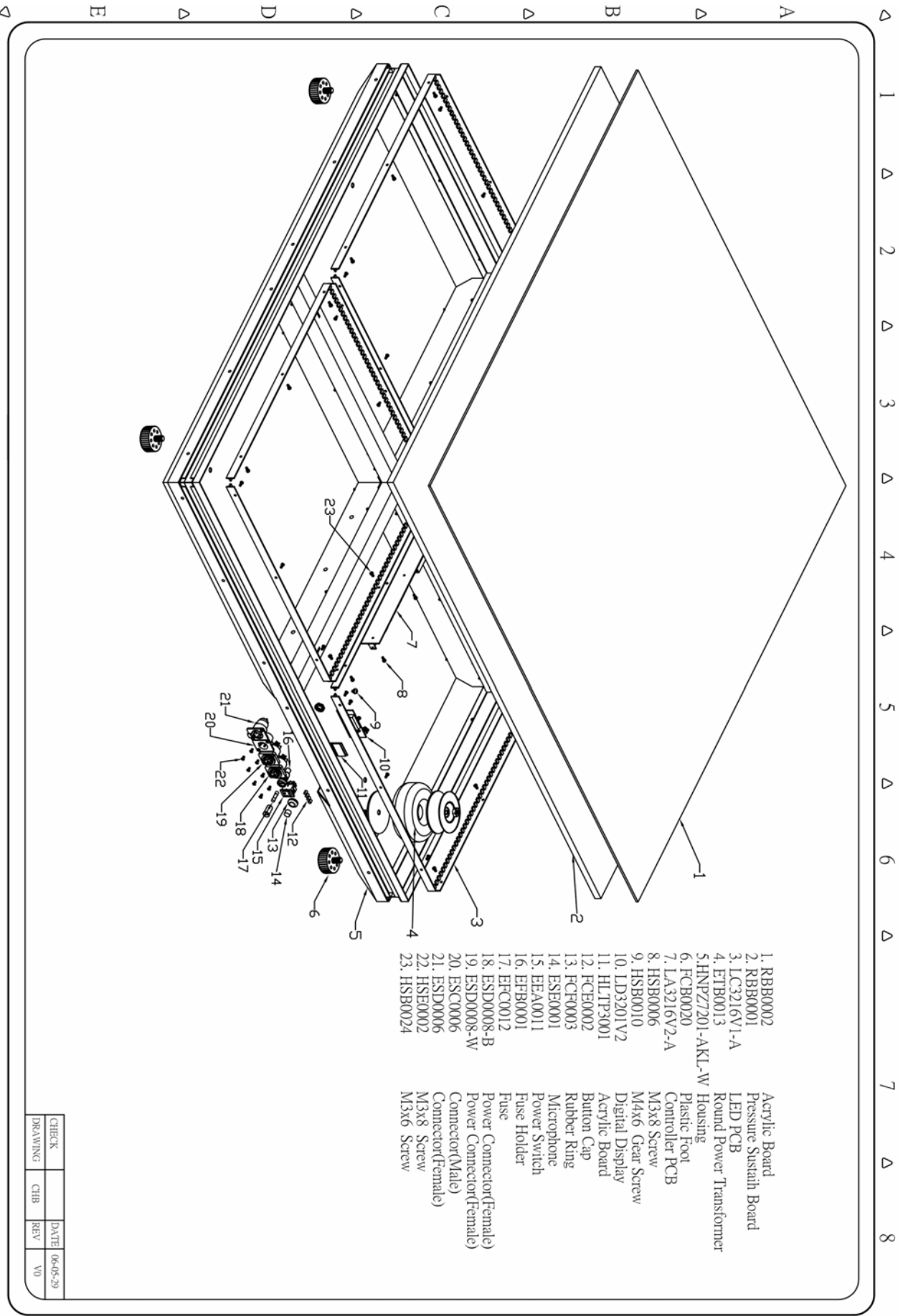
Dimensions: 1000x1000x104mm (LxWxH) incl. bracket

Weight: 51,8 kg



Design and product specifications are subject to change without prior notice.

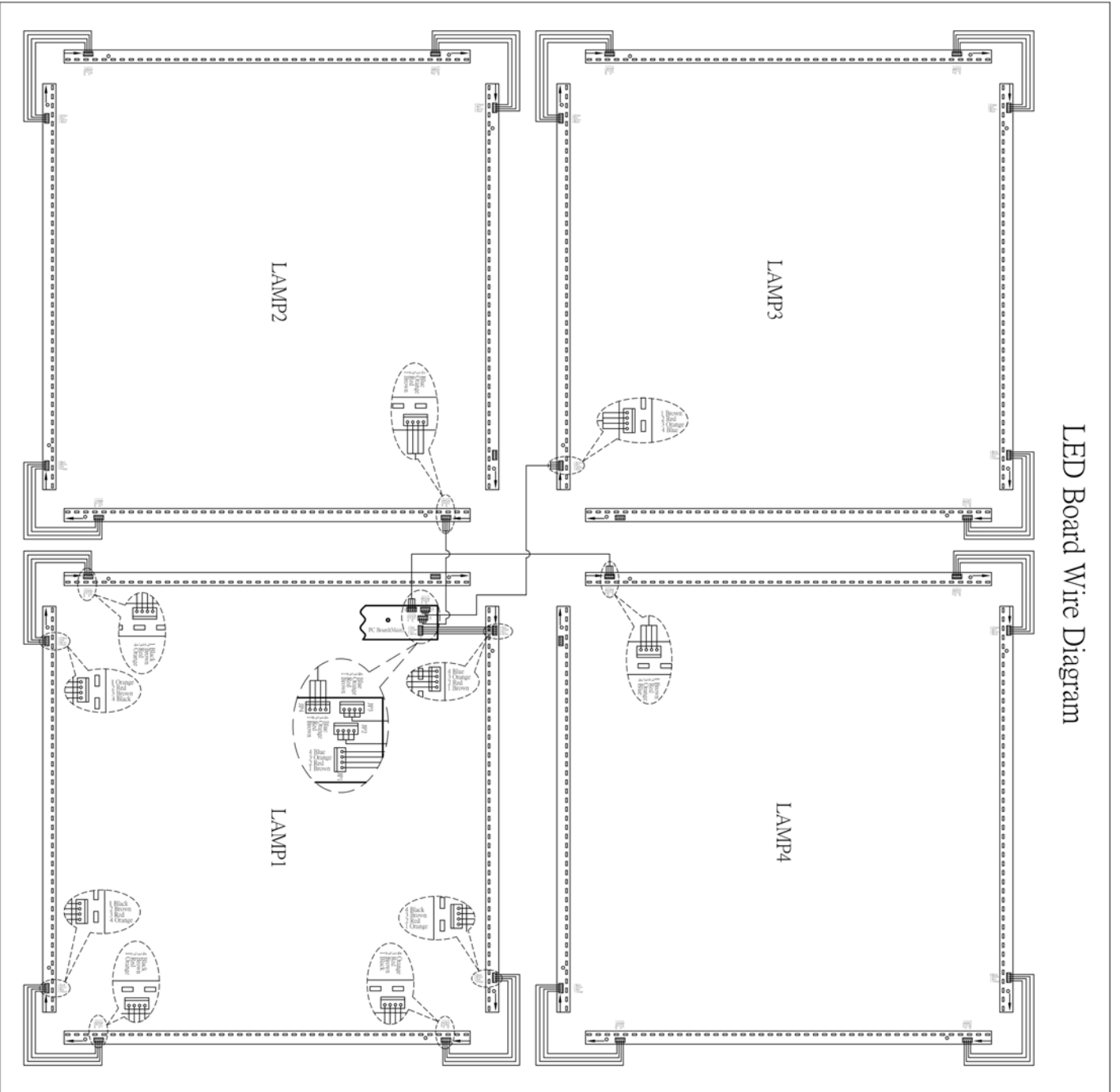




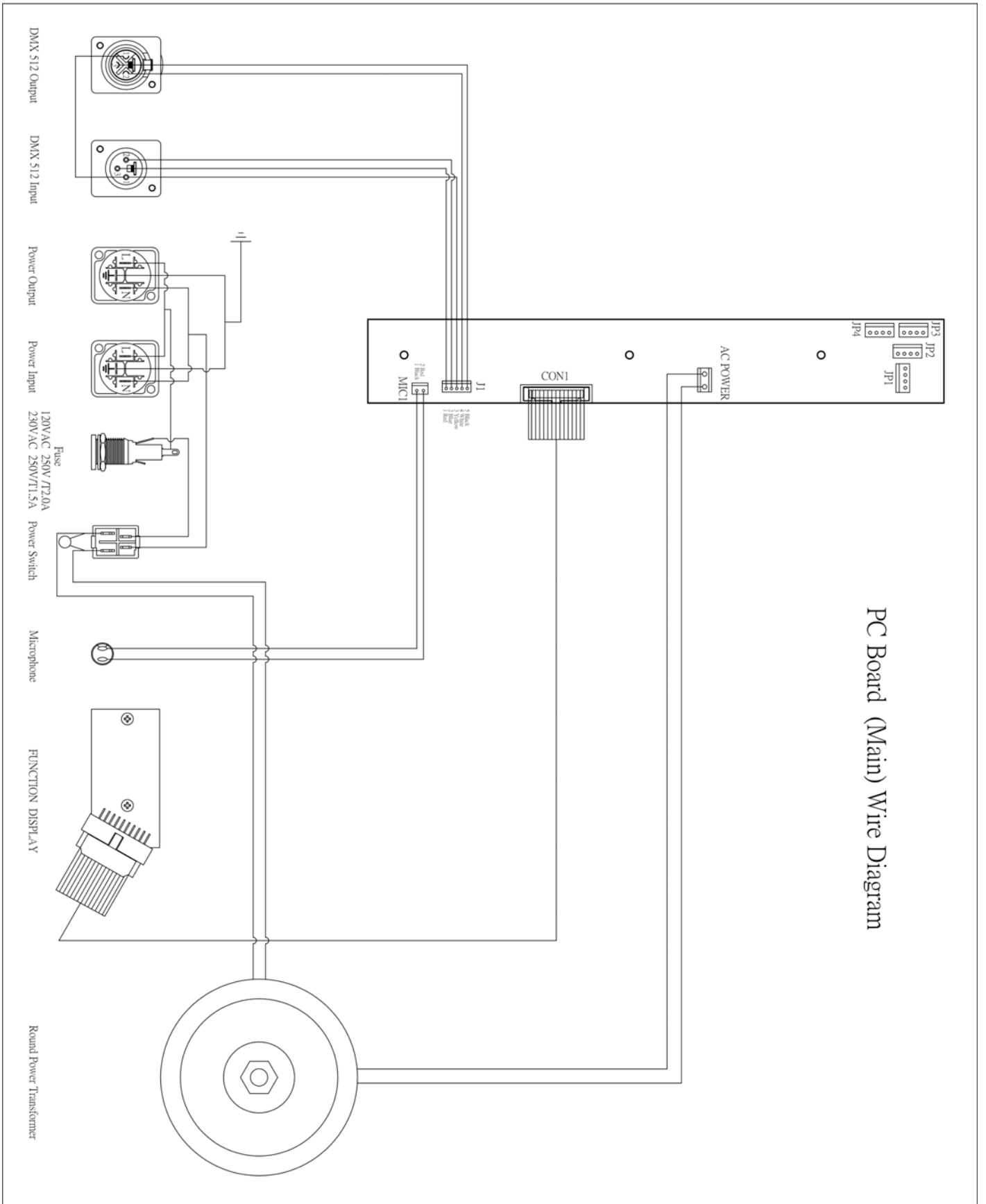
1. RBB0002 Acrylic Board
2. RBB0001 Pressure Sustaih Board
3. LC3216V1-A LED PCB
4. ETB0013 Round Power Transformer
5. HNPZ7201-AKL-W Housing
6. FCB0020 Plastic Foot
7. LA3216V2-A Controller PCB
8. HSB0006 M3x8 Screw
9. HSB0010 M4x6 Gear Screw
10. LD3201V2 Digital Display
11. HLTP3001 Acrylic Board
12. FCE0002 Button Cap
13. FCF0003 Rubber Ring
14. ESE0001 Microphone
15. EEA0011 Power Switch
16. EFB0001 Fuse Holder
17. EFC0012 Fuse
18. ESD0008-B Power Connector(Female)
19. ESD0008-W Power Connector(Female)
20. ESC0006 Connector(Male)
21. ESD0006 Connector(Female)
22. HSE0002 M3x8 Screw
23. HSB0024 M3x6 Screw

CHECK	DATE
DRAWING	06-05-29
CHB	REV
	V0

LED Board Wire Diagram



PC Board (Main) Wire Diagram



Other Showtec Products:

LED Deco-Tile Basic (41111) and LED Deco-Tile Pro (41112)



LED Pixel Wash (42201)



LED Pixel Track (42200)



Quadra 20 (30984)



Octopod 30 (30985)



Trackpod 30 (30986)



Octopod 90 (30987)



Trackpod 90 (30988)



Riva 90 (30989)



LED Panel (41070)



LED Wallpainter (41200)



Aquapainter (41220)





© 2006 Showtec.