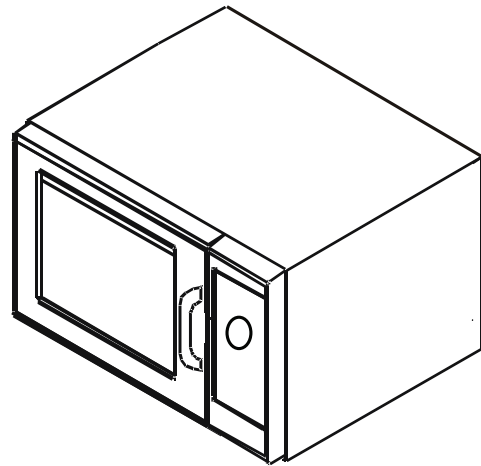
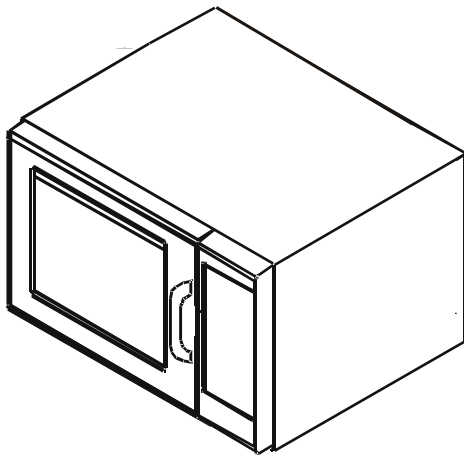


Owner's Manual



Commercial Microwave Oven

Keep these instructions for future reference.
If the oven changes ownership, this manual
must accompany oven.

Contents

Model Identification	2
PRECAUTIONS TO AVOID POSSIBLE EXPOSURE TO EXCESSIVE MICROWAVE ENERGY	3
IMPORTANT SAFETY INSTRUCTIONS ...	3
Grounding Instructions	5
Installation	6
Display and Features	7
Using the Oven Control (Electronic Models)	9
Programming the Oven Control (Electronic Models)	10
User Options (Electronic Models)	11
Digital Dial Operation Style 1	12
Digital Dial Operation Style 2	13
Dial Operation Style 3	14
Care and Cleaning	15
Before Calling for Service	16

Model Identification

When contacting ACP, provide product information. Product information is located on oven serial plate which is located on the back side of the oven. Record the following information:

Model Number: _____

Manufacturing Number: _____

Serial or S/N Number: _____

Date of purchase: _____

Dealer's name and address: _____

Any questions or to locate an authorized ACP servicer, call toll free 1-866-426-2621 inside the U.S.A or Canada, or 1-319-368-8120 outside the U.S.A or Canada.

Warranty service must be performed by an authorized ACP servicer. ACP also recommends contacting an authorized ACP servicer if service is required after warranty expires.

IMPORTANT SAFETY INSTRUCTIONS



This is the safety alert symbol. It is used to alert you to potential personal injury hazards. Obey all safety messages that follow this symbol to avoid possible injury or death.



WARNING

When using electrical equipment, basic safety precautions should be followed to reduce the risk of burns, electrical shock, fire, or injury to persons.

1. READ all instructions before using equipment.
2. READ AND FOLLOW the specific "PRECAUTIONS TO AVOID POSSIBLE EXPOSURE TO EXCESSIVE MICROWAVE ENERGY" on this page.
3. This equipment MUST BE EARTHED. Connect only to properly EARTHED outlet. See "EARTHING INSTRUCTIONS" on page 5.
4. Install or locate this equipment ONLY in accordance with the installation instructions in this manual.
5. Some products such as whole eggs and sealed containers—for example, closed glass jars—are able to explode and SHOULD NOT be HEATED in this oven.
6. Use this equipment ONLY for its intended use as described in this manual. Do not use corrosive chemicals or vapors in this equipment. This type of oven is specifically designed to heat, cook, or dry food. It is not designed for industrial or laboratory use.
7. As with any equipment, CLOSE SUPERVISION is necessary when used by CHILDREN.
8. DO NOT heat baby bottles in oven.
9. Baby food jars shall be open when heated and contents stirred or shaken before consumption, in order to avoid burns.
10. DO NOT operate this equipment if it has a damaged cord or plug, if it is not working properly, or if it has been damaged or dropped.
11. This equipment, including power cord, must be serviced ONLY by qualified service personnel. Special tools are required to service equipment. Contact nearest authorized service facility for examination, repair, or adjustment.
12. DO NOT cover or block filter or other openings on equipment.
13. DO NOT store this equipment outdoors. DO NOT use this product near water – for example, near a kitchen sink, in a wet basement, a swimming pool, or a similar location.
14. DO NOT immerse cord or plug in water.
15. Keep cord AWAY from HEATED surfaces.
16. DO NOT let cord hang over edge of table or counter.
17. For commercial use only.

PRECAUTIONS TO AVOID POSSIBLE EXPOSURE TO EXCESSIVE MICROWAVE ENERGY

- A. **DO NOT** attempt to operate this oven with the door open since open door operation can result in harmful exposure to microwave energy. It is important not to defeat or tamper with the safety interlocks.
- B. **DO NOT** place any object between the oven front face and the door or allow soil or cleaner residue to accumulate on sealing surfaces.
- C. **DO NOT** operate the oven if it is damaged. It is particularly important that the oven door close properly and that there is no damage to the:
 1. door (bent)
 2. hinges and latches (broken or loosened)

SAVE THESE INSTRUCTIONS

IMPORTANT SAFETY INSTRUCTIONS



WARNING

To avoid risk of fire in the oven cavity:

- a. DO NOT overcook food. Carefully attend oven when paper, plastic, or other combustible materials are placed inside the oven to facilitate cooking.
- b. Remove wire twist-ties from paper or plastic bags before placing bag in oven.
- c. If materials inside the oven ignite, keep oven door CLOSED, turn oven off and disconnect the power cord, or shut off power at the fuse or circuit breaker panel.
- d. DO NOT use the cavity for storage. DO NOT leave paper products, cooking utensils, or food in the cavity when not in use.



WARNING

Liquids such as water, coffee, or tea are able to be overheated beyond the boiling point without appearing to be boiling due to surface tension of the liquid. Visible bubbling or boiling when the container is removed from the microwave oven is not always present. THIS COULD RESULT IN VERY HOT LIQUIDS SUDDENLY BOILING OVER WHEN A SPOON OR OTHER UTENSIL IS INSERTED INTO THE LIQUID. To reduce the risk of injury to persons:

- i) Do not overheat the liquid.
- ii) Stir the liquid both before and halfway through heating it.
- iii) Do not use straight-sided containers with narrow necks.
- iv) After heating, allow the container to stand in the microwave oven for a short time before removing the container.
- v) Use extreme care when inserting a spoon or other utensil into the container.



CAUTION

To avoid personal injury or property damage, observe the following:

1. Do not deep fat fry in oven. Fat could overheat and be hazardous to handle.
2. Do not cook or reheat eggs in shell or with an unbroken yolk using microwave energy. Pressure may build up and erupt. Pierce yolk with fork or knife before cooking.
3. Pierce skin of potatoes, tomatoes, and similar foods before cooking with microwave energy. When skin is pierced, steam escapes evenly.
4. Do not operate equipment without load or food in oven cavity.
5. Use only popcorn in packages designed and labeled for microwave use. **Popping time varies depending on oven wattage.** Do not continue to heat after popping has stopped. Popcorn will scorch or burn. Do not leave oven unattended.
6. Do not use regular cooking thermometers in oven. Most cooking thermometers contain mercury and may cause an electrical arc, malfunction, or damage to oven.
7. Do not use metal utensils in oven.
8. Never use paper, plastic, or other combustible materials that are not intended for cooking.
9. When cooking with paper, plastic, or other combustible materials, follow manufacturer's recommendations on product use.
10. Do not use paper towels which contain nylon or other synthetic fibers. Heated synthetics could melt and cause paper to ignite.
11. Do not heat sealed containers or plastic bags in oven. Food or liquid could expand quickly and cause container or bag to break. Pierce or open container or bag before heating.
12. To avoid pacemaker malfunction, consult physician or pacemaker manufacturer about effects of microwave energy on pacemaker.
13. An authorized servicer MUST inspect equipment annually. Record all inspections and repairs for future use.
14. Clean oven regularly and remove any food deposits.
15. To avoid surface deterioration, keep the oven in a clean condition. Infrequent cleaning could adversely affect the life of the appliance and possibly result in a hazardous situation.

SAVE THESE INSTRUCTIONS

Grounding Instructions



WARNING

To avoid risk of electrical shock or death, this oven must be grounded.



WARNING

To avoid risk of electrical shock or death, do not alter the plug.

This oven **MUST** be grounded. In the event of an electrical short circuit, grounding reduces the risk of electric shock by providing an escape wire for the electric current. This oven is equipped with a cord having a grounding wire with a grounding plug. The plug must be plugged into an outlet that is properly installed and grounded.

Consult a qualified electrician or servicer if grounding instructions are not completely understood, or if doubt exists as to whether the oven is properly grounded.

Do not use an extension cord. If the product power cord is too short, have a qualified electrician install a three-slot receptacle. This oven should be plugged into a separate circuit with the electrical rating as shown on the oven's serial plate / rating label. When a microwave oven is on a circuit with other equipment, an increase in cooking times may be required and fuses can be blown.

Earthing Instructions

Oven MUST be earthed. Earthing reduces risk of electric shock by providing an escape wire for the electric current, if an electrical short occurs. This oven is equipped with a cord having a earth wire with a earthing plug. The plug must be plugged into an outlet that is properly installed and earthed.

Consult a qualified electrician or servicer if earthing instructions are not completely understood, or if doubt exists as to whether the oven is properly earthed.

Do not use an extension cord.

If the product power cord is too short, have a qualified electrician install a new receptacle close enough to the oven to plug the oven in. This oven should be plugged into a separate circuit with the electrical rating as provided in product specifications (available on www.acpsolutions.com). When a microwave oven is on a circuit with other equipment, an increase in cooking times may be required and fuses can be blown.

External Equipotential Earthing Terminal

(export only)

Equipment has secondary earthing terminal. Terminal provides external earthing connection used in addition to earthing prong on plug. Located on outside of oven back, terminal is marked with symbol shown below.



Installation

Unpacking Oven

- Inspect oven for damage such as dents in door or inside oven cavity.
- Report any dents or breakage to source of purchase immediately.
Do not attempt to use oven if damaged.
- Remove all materials from oven interior.
- If oven has been stored in extremely cold area, wait a few hours before connecting power.

Radio Interference

Microwave operation may cause interference to radio, television, or a similar oven. Reduce or eliminate interference by doing the following:

- Clean door and sealing surfaces of oven according to instructions in *Care and Cleaning* section.
- Place radio, television, etc. as far as possible from oven.
- Use a properly installed antenna on radio, television, etc. to obtain stronger signal reception.

Oven Placement

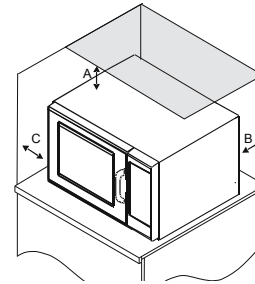
- Do not install oven next to or above source of heat, such as pizza oven or deep fat fryer. This could cause microwave oven to operate improperly and could shorten life of electrical parts.
- Do not block or obstruct oven filter. Allow access for cleaning.
- Install oven on level countertop surface.
- Place warning label in a conspicuous place close to microwave oven.
- Outlet should be located so that plug is accessible when oven is in place.

⚠ WARNING

Excessive Weight Hazard

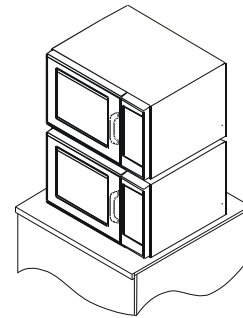
Use two or more people to move and install oven.

Failure to do so can result in back or other injury.



- A—For North American (UL/CSA) models, allow at least 2" (5.1 cm) of clearance around top of oven. For International (50 Hz) models, allow at least 12" (30 cm) of clearance around top of oven. Proper air flow around oven cools electrical components. With restricted air flow, oven may not operate properly and life of electrical parts is reduced.
- B—Allow at least 2" (5.1 cm) between air discharge on back of oven and back wall.
- C—Allow at least 2" (5.1 cm) of clearance around sides of oven.

Oven Clearances



Oven Stacking

- Oven stacking is allowed using stacking bracket located on oven back panel top hinge side corner.
- Using stacking brackets on back panel of ovens remove screws from stacking brackets and reattach them to back panel between both ovens securing them together using back panel screws.

Display and Features (some models)



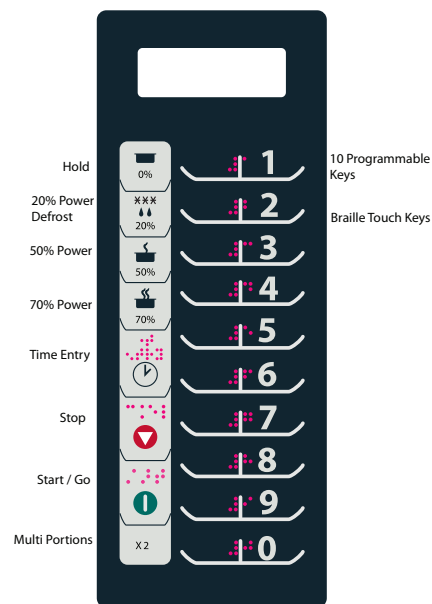
START Key

The START key is used to begin a manual time entry cooking cycle. It is also used to save any changes to programming sequences or user options.



STOP/RESET Key

The STOP/RESET key stops a cooking sequence in progress, clears out any remaining time, and also ends a programming or user option cycle. When the STOP/RESET key is used to end a programming or option change, the changes are discarded.



Single Key Programming

(example of key 1 shown)

This feature enables each numbered key to be programmed for a specific cooking procedure/use. To use this feature, simply program the key to the desired length of time and power level. To use this feature, press the key once and the microwave will begin cooking.



Double Key Programming

(some models)

This feature enables 100 programmed entries to be made. Each entry will be assigned a double digit number, for example 07 as shown. When using the double key programming, two keys must be pressed to start the cooking cycle.



Manual Time Entry

In addition to programmable keys, this microwave also accepts specific time entry by using the TIME ENTRY key. Using manual time entry does not affect the programmed buttons.



QTY X2 Key

The QTY X2 key increases a preset cooking time by a percentage of the original cooking time (cooking factor). The user may specify the percentage and it can be changed for individual cooking sequences. This feature is very useful for cooking multiple servings of foods. The QTY X2 key can be used with either single or double key programming. To change the cooking factor, see *Programming the Oven Control*.

Stage Cooking

P:-- Stage cooking is a cooking sequence with specific power stage changes. The user can program up to four different power level changes and the specific amount of cooking time at each power level. Each power level/cooking time combination is known as a stage. Up to four stages can be programmed.

User Options



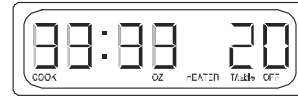
This microwave can be set for specific user preferences. Options such as beep volume, maximum cooking time, and the number of programmable keys can be changed. To change different options, see *User Options* in this manual.

The switching operation of this microwave oven can cause voltage fluctuations on the supply line. The operation of this oven under unfavorable voltage supply conditions can have adverse effects. This device is intended for the connection to a power supply system with a maximum permissible system impedance Z_{max} of **0.10 Ohms** at the interface point of the user's supply. The user has to ensure that this device is connected only to a power supply system which fulfills the requirement above. If necessary, the user can ask the public power supply company for the system impedance at the interface point.

Display and Features (some models)

Cooking Display

DISPLAYS	DESCRIPTION
READY	READY displays when oven control will accept entries.
00:00	Displays cooking time. If stage cooking is programmed, total cooking time is displayed.
HOLD 0% DEFR 20% MED 50% MED HI 70%	These settings display the current power level used for the microwave. If no display is shown, microwave is running at full power (100%).
POWER	POWER is displayed while the oven is generating microwave energy during a cooking cycle.



Display

Some items in the display can be seen but are not available depending on model.

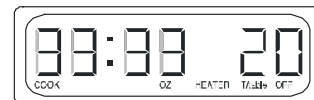
Programming Display

DISPLAYS	DESCRIPTION
P:0	Displays when oven is in programming mode for single key memory only.
P:	Displays when oven is in programming mode for double key memory.
OP: --	Displays when oven is in user option mode. User options can then be set or specified.
CF:	Displays with a numerical cooking factor when the X2 key is pressed.
P:-- ¹	Displays briefly when programming a specific cooking stage. Number (1 through 4) indicates the stage that is being programmed.



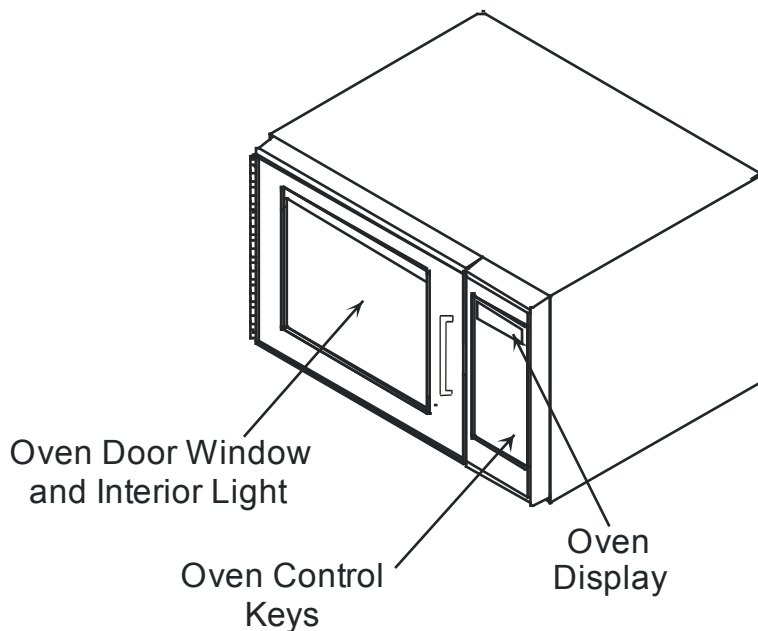
Ready

Ready displays when an oven control will accept entries.



Cooking Displays

33:33 displays total cooking time. When more than one cooking stage is programmed, total time for all stages displays. COOK displays when oven is operating. DEFROST 20%, MEDIUM 50%, or MED-HI 70% will display to indicate microwave power level being used. HOLD 0% does not display COOK. If oven power level is set to 0%, oven does not heat for programmed time. If no power level is displayed, the microwave is operating at 100% power.



Using the Oven Control (Electronic Control)



Interrupting

Operation

Open oven door or press STOP/RESET key to interrupt operation. Display continues to show countdown time. Close door and press START key to resume oven operation.

X2

QTY X2 Key

To increase cooking time by a specific cooking factor when cooking more than one serving. The cooking factor is a percentage of the original cooking time (from 10 to 100%).

- Open oven door and place food in oven. Close door.
 - READY** displays. Fan and light will turn on.
- Press X2 key.
 - Amount of time added is a percentage of the original preprogrammed cooking time.
 - The percentage can be changed. See *Programming the Oven Control* section in this manual.
- Press desired preprogrammed key or key sequence.
- Oven begins cooking. Displayed cooking time is the total of original cooking time plus the added X2 time.

Manual Time Entry

To cook food using a specific entered time and power level.

- Open oven door and place food in oven. Close door.
 - READY** displays. Fan and light will turn on.
- Press TIME ENTRY key.
 - READY** and 0000 display.
 - If pad does not work, open and close oven door and try again.
- Enter cooking time by using the numbered keys.
- Press a power level key to change power level if desired.
 - POWER LEVEL** displays with the power setting.
 - 00 indicates 0% microwave power, 20 indicates 20%, 50 indicates 50% and 70 indicates 70% microwave power. If a number is not displayed with POWER LEVEL the microwave is set to full power.
- If stage cooking is desired, press TIME ENTRY key and repeat steps 3 through 4.
 - Display changes to cook time and power level for the next stage.
- Enter cook time and power level as in steps 3 and 4.
 - To add another cooking stage press TIME ENTRY key again.
 - Up to four different stages can be programmed.
- Press START key.
 - Oven operates and time counts down.
 - POWER, COOK LEVEL** and cooking time display.
- At end of cooking cycle oven beeps and shuts off.



Programmed Keys

To cook food using keys preprogrammed with cooking sequences.

- Open oven door and place food in oven. Close door.
 - READY** displays. Fan and light will turn on.
- Press desired key.
 - For single key entry, press only one key.
 - For double key entry, press the two keys, in order, of the double digit number for the desired cooking sequence.
 - To change single or double key entry option see *User Options* section in this manual.
- Oven begins to cook.
 - POWER**, power level and total cooking time display. If power level does not display, microwave is cooking at full power.
 - For additional cooking time, press preprogrammed key again to begin cooking sequence again.
- At end of cooking cycle oven beeps and shuts off.



Factory Settings

Pad	Time	Pad	Time
1	10 sec.	6	1:30 min.
2	20 sec.	7	2 min.
3	30 sec.	8	3 min.
4	45 sec.	9	4 min.
5	1 min.	0	5 min.

Programming the Oven Control (Electronic Control)

Programming Keys

Oven is shipped from the factory for single key programming. To change the oven default to allow double key programming, see *User Option* section. To change the amount of time or the power level for a preset key:

1. Open oven door.
 - **READY** displays.
 - If door is closed or STOP key is pressed before programming is complete, changes are discarded and microwave exits programming mode.
2. Press and hold key 1 for approximately 5 seconds.
 - This begins programming mode.
 - Microwave will beep and PROGRAM displays. Oven is in programming mode.
3. Press key to be reprogrammed.
 - Press two keys if reprogramming a double pad program.
 - Power level and cooking time display.
 - If power level does not display, microwave is set to full power.
4. Enter cooking time by using the number keys.
5. Press a power level key to change power level if desired.
6. Press START key to save new programming changes to the key.
 - PROGRAM displays.
 - If START is not pressed, changes will not be saved.
7. Press STOP/RESET key or close oven door to exit programming mode.



? The display shows PROGRAM.

When set to single key or double key programming, the display will show PROGRAM when programming keys for single or double digit cooking sequences. To change the oven's default to allow either single key or double key programming, see the *User Option* section.



Canceling Mistakes

If oven is not cooking, press STOP/RESET key to clear display. If oven is cooking, press STOP/RESET key once to stop oven, then again to clear display. If oven door is open and time shows in display, close oven door and press STOP/RESET key to clear display.

X2

QTY X2 Programming

This feature allows a preset percentage of original cook time, called a cooking factor, to be added to a cook sequence.

To change the cooking factor:

1. Open oven door.
2. Press and hold key 1 for approximately 5 seconds.
3. Press key to be reprogrammed.
4. Press the QTY X2 key.
5. Press a numbered key to change the cooking factor.
 - Cooking factor can be set from 10% to 100%.
 - Default is 80%.
 - Key 5 would change the cooking factor to 50%.
 - Key 3 would change the cooking factor to 30%.
6. Press START key to save changes.

Programming Multiple Stages

Stage cooking allows consecutive cooking cycles without interruption. Up to four different cooking cycles can be programmed into a memory key. To use stage cooking:

1. Follow steps 1 through 5 above.
6. Press TIME ENTRY key.
 - Display briefly shows the key number that is being programmed and the stage number to the upper right.
 - Display changes to cook time and power level for the next stage.
7. Enter cook time and power level as in steps 4 and 5.
 - To enter another cooking stage for that key, press TIME ENTRY key again.
 - Up to four different stages can be programmed.
8. Press START key to save new programming changes to the key.
9. Press STOP/RESET key or close oven door to exit programming mode.



User Options (Electronic Control)

Didn't like an option?

Factory settings are marked in bold. To change the oven back to the factory setting, simply select the option that is marked in bold.



My changes weren't saved.

In order for any changes to be saved, the START key must be pressed after selecting an option. Shutting the oven door or pressing the STOP/RESET key will not save changes.

Changing user options

Options such as single or double key programming, beep volume, and maximum cooking time can be changed to suit individual preferences. To change options:

1. Open oven door.
 - If door is closed or STOP/RESET key is pressed before programming is complete, changes are discarded and microwave exits programming mode.
2. Press and hold key 2 for approximately 5 seconds.
 - This begins options mode.
 - Microwave will beep and OP: -- displays. Microwave is now in programming mode.
3. Press number key that controls option to be changed.
 - See table below for options.
 - Current option will display.
4. Press number key again to change the option.
 - Each time key is pressed, option will change.
 - Match number code displayed with descriptions for desired option.
5. Press START key to save changes.
 - OP: -- shows in display.
 - To change additional options, repeat steps 3 and 4.
 - Changes appear after door is closed or STOP/RESET pad is pressed.

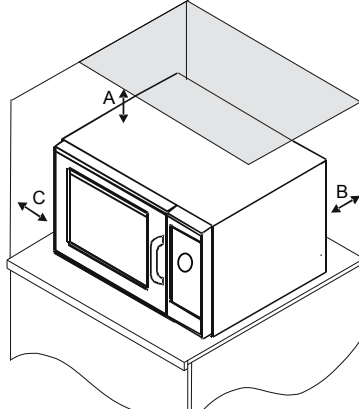
Numbered Keys	Display	Options (Factory Settings in Bold)
1 End of Cycle Beep	OP:10 OP:11 OP:12	3 second continuous beep. Continuous beep until door is opened. 5 beeps bursts until door is opened.
2 Key Beep Volume	OP:20 OP:21 OP:22 OP:23	Eliminates beep. Sets volume to low. Sets volume to medium. Sets volume to high.
3 Key Beep	OP:30 OP:31	Prevents beep when key is pressed. Allows beep when key is pressed.
4 Active Display	OP:40 OP:41 OP:42 OP:43	15 seconds after oven door is opened, keyboard disabled. 30 seconds after oven door is opened, keyboard disabled. 1 minute after oven door is opened, keyboard disabled. 2 minutes after oven door is opened, keyboard disabled.
5 On-the-Fly Cooking	OP:50 OP:51	Prevents different pre-programmed keys to be activated during cooking. Allows different pre-programmed keys to be activated during cooking.
6 Reset to Ready Mode	OP:60 OP:61	Opening oven door does not reset oven back to ready mode. Opening oven door resets oven back to ready mode.
7 Maximum Heating Time	OP:70 OP:71	Allows 60 minutes of heating time. Allows 10 minutes of heating time.
8 Manual Operation	OP:80 OP:81	Allows use of preprogrammed keys only. Allows use of manual time entry and preprogrammed keys.
9 Double Digit Operation	OP:90 OP:91	Allows 10 (0-9) preprogrammed keys. Allows 100 (00-99) preprogrammed keys.
0 Clean Filter Message	OP:00 OP:01 OP:02 OP:03	Oven will not display Clean Filter Oven will display Clean Filter every seven (7) days Oven will display Clean Filter every thirty (30) days Oven will display Clean Filter every ninety (90) days

Digital Dial Operation

STYLE 1

Digital Dial option is available on some models only.

The switching operation of this microwave oven can cause voltage fluctuations on the supply line. The operation of this oven under unfavorable voltage supply conditions can have adverse effects. This device is intended for the connection to a power supply system with a maximum permissible system impedance Z_{max} of **0.2 Ohms** at the interface point of the user's supply. The user has to ensure that this device is connected only to a power supply system which fulfills the requirement above. If necessary, the user can ask the public power supply company for the system impedance at the interface point.

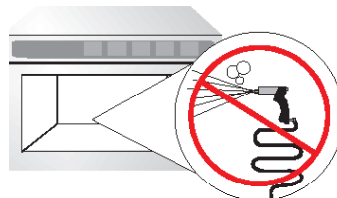


Oven Wall Clearances

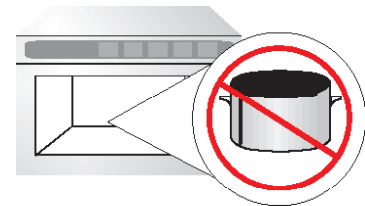
A—For North American (UL/CSA) models, allow at least 2" (5.1 cm) of clearance around top of oven. For International (50 Hz) models, allow at least 12" (30 cm) of clearance around top of oven. Proper air flow around oven cools electrical components. With restricted air flow, oven may not operate properly and life of electrical parts is reduced.

B—Allow at least 2" (5.1 cm) between air discharge on back of oven and back wall.

C—Allow at least 2" (5.1 cm) of clearance around sides of oven.



DO NOT power spray



No metal pans

So...how do I use it? (Digital Dial)

Heating

1. Open oven door, place food in oven, and close oven door.
2. Turn time entry knob clockwise to desired time.
 - Cooking time can be set up to 6 minutes.
 - Oven begins operation and time counts down.
3. When cooking time has elapsed, microwave energy stops and oven signal sounds.

Interrupting Operation

Open oven door to interrupt operation or turn time entry knob counterclockwise to "0". To resume microwave oven operation, close oven door.

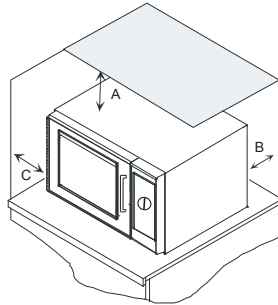
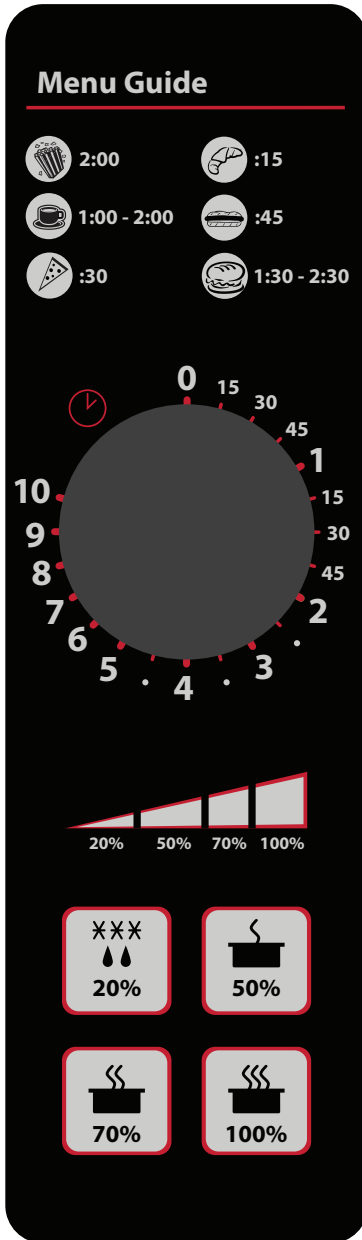
If time was changed to "0", time will need to be reset.

Changing Time and Canceling Mistakes

Heating time can be changed at any time while the oven is operating. Turn knob to desired new setting. To set cooking time to zero, turn knob counterclockwise to "0".

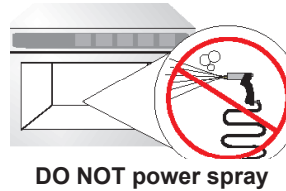
STYLE 2

Digital Dial option is available on some models only.

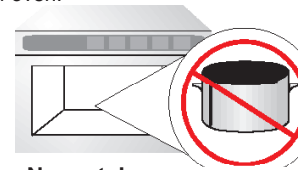


Oven Wall Clearances

- A—For North American (UL/CSA) models, allow at least 2" (5.1 cm) of clearance around top of oven. For International (50 Hz) models, allow at least 12" (30 cm) of clearance around top of oven. Proper air flow around oven cools electrical components. With restricted air flow, oven may not operate properly and life of electrical parts is reduced.
- B—Allow at least 2" (5.1 cm) between air discharge on back of oven and back wall.
- C—Allow at least 2" (5.1 cm) of clearance around sides of oven.



DO NOT power spray



No metal pans

So...how do I use it? (Electronic / Mechanical Dial)

Heating

1. Open oven door, place food in oven, and close oven door.
2. Select desired power level or use default 100%.
 - Cooking time can be set up to 10 minutes.
 - Oven begins operation and time counts down.
3. When cooking time has elapsed, microwave energy stops and oven signal sounds.

Interrupting Operation

Open oven door to interrupt operation or turn time entry knob counterclockwise to "0".



To resume microwave oven operation, close door, select power level pad, and turn knob.

Changing Time and Canceling Mistakes

Heating time and power level can be changed at any time while the oven is operating. Press power level pad or turn knob to desired new setting. To set cooking time to zero, turn knob counterclockwise to "0" or cycle door open and closed.

Changing Timer Option

Timer resetting to zero can be set at any time to pause current cook time and power level when door is opened. To change this option follow the step below.

- With door open press and hold the 100% pad  for 5 seconds until beep is heard. Close the door this changes timer setting to pause current cook time and power level when door is opened.
Timer pausing current cook time and power level can be set at any time to reset to zero and 100% power level when door is opened. To change this option follow the step below.
- With door open press and hold the 20% pad  for 5 seconds until beep is heard. Close the door this changes timer setting to reset timer to zero and power level to 100% when door is opened.

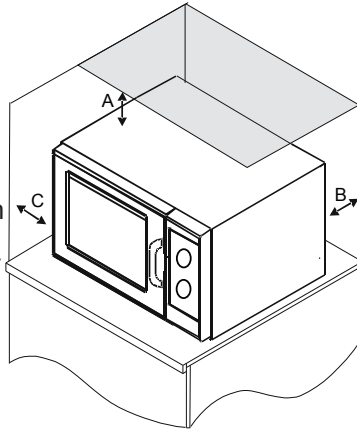
The switching operation of this microwave oven can cause voltage fluctuations on the supply line. The operation of this oven under unfavorable voltage supply conditions can have adverse effects. This device is intended for the connection to a power supply system with a maximum permissible system impedance Z_{max} of **0.2 Ohms** at the interface point of the user's supply. The user has to ensure that this device is connected only to a power supply system which fulfills the requirement above. If necessary, the user can ask the public power supply company for the system impedance at the interface point.

STYLE 3

Dial option is available on some 50 Hz models only.

The switching operation of this microwave oven can cause voltage fluctuations on the supply line.

The operation of this oven under unfavorable voltage supply conditions can have adverse effects. This device is intended for the connection to a power supply system with a maximum permissible system impedance Z_{max} of **0.2 Ohms** at the interface point of the user's supply. The user has to ensure that this device is connected only to a power supply system which fulfills the requirement above. If necessary, the user can ask the public power supply company for the system impedance at the interface point.

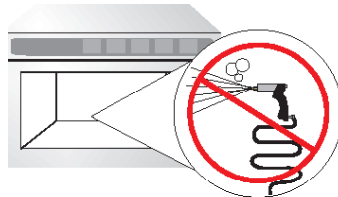


Oven Wall Clearances

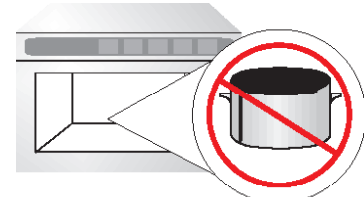
A—For North American (UL/CSA) models, allow at least 2" (5.1 cm) of clearance around top of oven. For International (50 Hz) models, allow at least 12" (30 cm) of clearance around top of oven. Proper air flow around oven cools electrical components. With restricted air flow, oven may not operate properly and life of electrical parts is reduced.

B—Allow at least 2" (5.1 cm) between air discharge on back of oven and back wall.

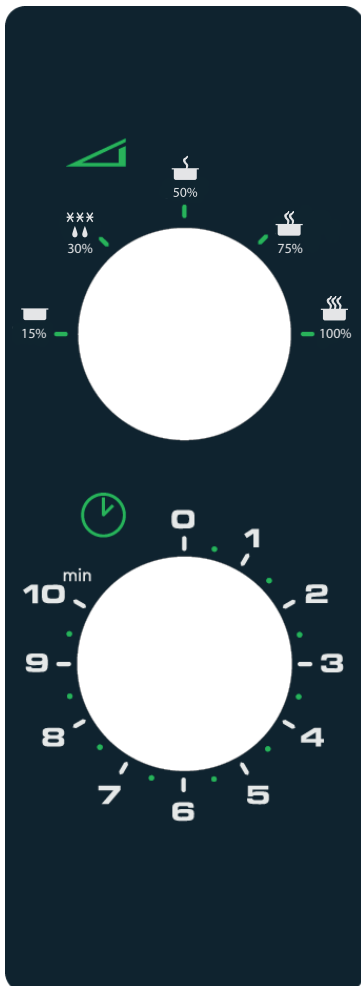
C—Allow at least 2" (5.1 cm) of clearance around sides of oven.



DO NOT power spray



No metal pans



So...how do I use it? (Dial)

Heating

1. Open oven door, place food in oven, and close oven door.
2. Turn the power level knob to desired power level.
 - Power level can be set at Hold (15%), Defrost (30%), Medium (50%), Med. High (70%), or High power (100%).
3. Turn time entry knob clockwise until desired time displays.
 - Cooking time can be set up to 10 minutes.
 - If turning the timer knob for less than 2 minutes, turn it past 2 minutes and then back to the desired time.
4. Oven begins operation and time counts down.
5. When cooking time elapses, microwave energy stops and oven signal sounds.

Interrupting Operation

Open oven door to interrupt operation or turn time entry knob counterclockwise to "0". To resume microwave oven operation, close oven door.

If time was changed to "0", time will need to be reset.

Changing Time and Power/Canceling Mistakes

Cooking time and power level can be changed at any time while the oven is operating. Turn knob(s) to desired new setting. To set cooking time to zero, turn time entry knob counterclockwise to "0".

Care and Cleaning

PART	CARE AND CLEANING RECOMMENDATION
Interior, Exterior, and Door	<p>Clean microwave oven with mild detergent in warm water using soft sponge or cloth. Wring sponge or cloth to remove excess water before wiping equipment. If desired, boil a cup of water in microwave oven to loosen soil before cleaning.</p> <p>Important:</p> <ul style="list-style-type: none">• Do not use abrasive cleansers or cleaners containing ammonia or citrus. These could damage finish.• Never pour water into microwave oven bottom.• Do not use water pressure type cleaning systems.
Discharge Air Vents	<p>Check monthly for a buildup of cooking residue along intake and discharge louvers on bottom and back of oven. Clean air vents with damp cloth to ensure proper airflow. Dry thoroughly.</p>
Air Intake Filter	<p>Non removable filter is located below oven door. Clean air intake filter regularly for proper airflow. Clean air vents with damp cloth to ensure proper airflow.</p> <p>Important:</p> <p>To avoid overheating and oven damage, clean air filter regularly.</p>
Control Panel	<p>Open oven door to deactivate oven timer. Clean with mild detergent in warm water using soft sponge or cloth.</p>

Before Calling for Service

Problem	Possible Cause
Oven does not operate.	<p>Confirm oven is plugged into dedicated circuit.</p> <p>Confirm oven is on grounded and polarized circuit. (Contact electrician to confirm)</p> <p>Check fuse or circuit breaker.</p>
Oven operates intermittently.	Check air filter and discharge areas for obstructions.
Oven does not accept entries when pad is pressed.	<p>Make sure oven is on.</p> <p>Open and close oven door. Press key again.</p>
Oven malfunctions or shows F with a number.	<p>Oven control is equipped with a self-diagnostic system. Self-diagnostic system alerts you if there is a error or problem. When electronic control signals a problem, follow steps listed below.</p> <ol style="list-style-type: none"> 1. Record number shown. 2. Unplug oven, wait for 1 minute, and plug in oven. <ul style="list-style-type: none"> • Disconnecting electrical supply may eliminate service code. If failure continues, call ACP ComServ toll free at 1-866-426-2621 inside the U.S.A. or Canada.
Oven operates but does not heat food.	<p>Place one cup of water in oven.</p> <p>Run for one minute at full power (100%).</p> <p>If temperature does not rise, oven is not operating correctly. Contact an authorized ACP servicer or call ACPCoMSeRv toll free at 1-866-426-2621 inside the U.S.A. or Canada.</p>



WARNING

To avoid electrical shock which can cause severe personal injury or death, do not remove outer case at any time. Only an authorized ACP servicer should remove outer case.

Central Distribuidora Ojeda

Avenida 5 (eje 3 ote) Num. 19a Colonia: Granjas San Antonio c.p. 09070 Delegacion Iztapalapa México Distrito Federal