

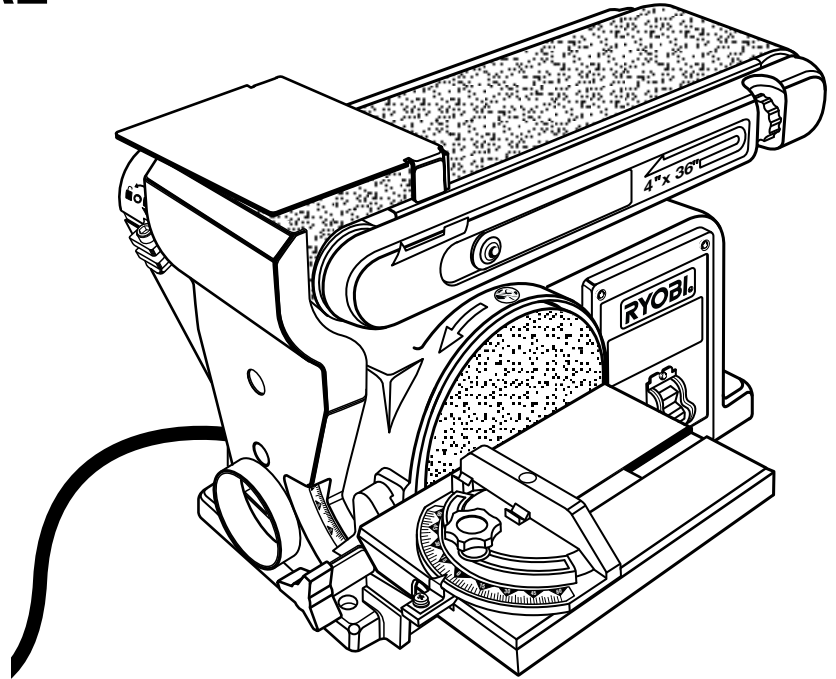


REGISTER YOUR TOOLS
<http://register.ryobitools.com>
1-800-525-2579

OPERATOR'S MANUAL BELT/DISC SANDER

MANUEL D'UTILISATION
PONCEUSE À BANDE/DISQUE
MANUAL DEL OPERADOR
LIJADORA DE BANDA Y DISCO

BD4601/BD4601G



Your belt/disc sander has been engineered and manufactured to our high standard for dependability, ease of operation, and operator safety. When properly cared for, it will give you years of rugged, trouble-free performance.

WARNING: To reduce the risk of injury, the user must read and understand the operator's manual before using this product.

Thank you for purchase.

SAVE THIS MANUAL FOR FUTURE REFERENCE

Cette ponçeuse à bande/disque a été conçue et fabriquée conformément à nos strictes normes de fiabilité, simplicité d'emploi et sécurité d'utilisation. Correctement entretenue, elle vous donnera des années de fonctionnement robuste et sans problème.

AVERTISSEMENT : Pour réduire les risques de blessures, l'utilisateur doit lire et veiller à bien comprendre le manuel d'utilisation avant d'employer ce produit.

Merci de votre achat.

Su lijadora de banda y disco ha sido diseñado y fabricado de conformidad con nuestras estrictas normas para brindar fiabilidad, facilidad de uso y seguridad para el operador. Con el debido cuidado, le brindará muchos años de sólido y eficiente funcionamiento.

ADVERTENCIA: Para reducir el riesgo de lesiones, el usuario debe leer y comprender el manual del operador antes de usar este producto.

Le agradecemos su compra.

**CONSERVER CE MANUEL POUR
FUTURE RÉFÉRENCE**

**GUARDE ESTE MANUAL PARA
FUTURAS CONSULTAS**

TABLE OF CONTENTS

■ Introduction	2
■ Warranty	2
■ General Safety Rules.....	3-4
■ Specific Safety Rules.....	4
■ Symbols.....	5
■ Electrical.....	6
■ Features.....	7
■ Assembly.....	8-9
■ Operation.....	9-11
■ Adjustments.....	11
■ Maintenance.....	12
■ Figure numbers (illustrations)	13-18
■ Parts Ordering / Service	Back Page

INTRODUCTION

This tool has many features for making its use more pleasant and enjoyable. Safety, performance, and dependability have been given top priority in the design of this product making it easy to maintain and operate.

WARRANTY

RYOBI® POWER TOOL - LIMITED TWO YEAR WARRANTY AND 30 DAY EXCHANGE POLICY

One World Technologies, Inc., warrants its Ryobi® power tools with the following conditions:

30-DAY EXCHANGE POLICY: During the first 30 days after date of purchase, you may either request service under this warranty or you may exchange any Ryobi® power tool which does not work properly due to defective workmanship or materials by returning the power tool to the dealer from which it was purchased. To receive a replacement power tool or requested warranty service, you must present proof of purchase and return all original equipment packaged with the original product. The replacement power tool will be covered by the limited warranty for the balance of the two year period from the date of the original purchase.

WHAT THIS WARRANTY COVERS: This warranty covers all defects in workmanship or materials in your Ryobi® power tool for a period of two years from the date of purchase. With the exception of batteries, power tool accessories are warranted for ninety (90) days. Batteries are warranted for two years.

HOW TO GET SERVICE: Just return the power tool, properly packaged and postage prepaid, to an Authorized Service Center. You can obtain the location of the Service Center nearest you by contacting a service representative at One World Technologies, Inc., P.O. Box 1207, Anderson, SC 29622-1207, by calling 1-800-525-2579 or by logging on to www.ryobitools.com. When you request warranty service, you must also present proof of purchase documentation, which includes the date of purchase (for example, a bill of sale). We will repair any faulty workmanship, and either repair or replace any defective part, at our option. We will do so without any charge to you. We will complete the work in a reasonable time, but, in any case, within ninety (90) days or less.

WHAT'S NOT COVERED: This warranty applies only to the original purchaser at retail and may not be transferred. This warranty only covers defects arising under normal usage and does not cover any malfunction, failure or defects resulting from misuse, abuse, neglect, alteration, modification or repairs by other than Authorized Service Centers. One World Technologies, Inc. makes no warranties, representations or promises as to the quality or performance of its power tools other than those specifically stated in this warranty.

ADDITIONAL LIMITATIONS: Any implied warranties granted under state law, including warranties of merchantability or fitness for a particular purpose, are limited to two years from the date of purchase. One World Technologies, Inc. is not responsible for direct, indirect, or incidental damages, so the above limitations and exclusions may not apply to you. This warranty gives you specific legal rights, and you may also have other rights which vary from state to state.

GENERAL SAFETY RULES



WARNING:

Read and understand all instructions. Failure to follow all instructions listed below, may result in electric shock, fire and/or serious personal injury.

READ ALL INSTRUCTIONS

WORK AREA

- **KNOW YOUR POWER TOOL.** Read the operator's manual carefully. Learn the applications and limitations as well as specific potential hazards related to this tool.
- **GUARD AGAINST ELECTRICAL SHOCK BY PREVENTING BODY CONTACT WITH GROUNDED SURFACES.** For example: pipes, radiators, ranges, refrigerator enclosures.
- **KEEP GUARDS IN PLACE** and in working order.
- **REMOVE ADJUSTING KEYS AND WRENCHES.** Form habit of checking to see keys and adjusting wrenches are removed from tool before turning it on.
- **KEEP THE WORK AREA CLEAN.** Cluttered work areas and work benches invite accidents. **DO NOT** leave tools or pieces of wood on the tool while it is in operation.
- **DO NOT USE IN DANGEROUS ENVIRONMENTS.** Do not use power tools in damp or wet locations or expose them to rain. Keep the work area well lit.
- **KEEP CHILDREN AND VISITORS AWAY.** All visitors should wear safety glasses and be kept a safe distance from work area. Do not let visitors contact tool or extension cord while operating.
- **MAKE WORKSHOP CHILDPROOF** with padlocks, master switches, or by removing starter keys.
- **DON'T FORCE THE TOOL.** It will do the job better and safer at the rate for which it was designed.
- **USE THE RIGHT TOOL.** Do not force the tool or attachment to do a job for which it was not designed.
- **USE THE PROPER EXTENSION CORD.** Make sure your extension cord is in good condition. Use only a cord heavy enough to carry the current your product will draw. An undersized cord will cause a drop in line voltage resulting in loss of power and overheating. A wire gauge size (A.W.G.) of at least **16** is recommended for an extension cord 50 feet or less in length. If in doubt, use the next heavier gauge. The smaller the gauge number, the heavier the cord.
- **DRESS PROPERLY.** Do not wear loose clothing, neckties, or jewelry that can get caught and draw you into moving parts. Rubber gloves and nonslip footwear are recommended when working outdoors. Also wear protective hair covering to contain long hair.
- **ALWAYS WEAR SAFETY GLASSES WITH SIDE SHIELDS.** Everyday eyeglasses have only impact-resistant lenses, they are **NOT** safety glasses.
- **SECURE WORK.** Use clamps or a vise to hold work when practical, it is safer than using your hand and frees both hands to operate the tool.
- **DO NOT OVERREACH.** Keep proper footing and balance at all times.
- **MAINTAIN TOOLS WITH CARE.** Keep tools sharp and clean for best and safest performance. Follow instructions for lubricating and changing accessories.
- **DISCONNECT TOOLS.** When not in use, before servicing, or when changing attachments, blades, bits, cutters, etc., all tools should be disconnected from power source.
- **AVOID ACCIDENTAL STARTING.** Be sure switch is off when plugging in any tool.
- **USE RECOMMENDED ACCESSORIES.** Consult the operator's manual for recommended accessories. The use of improper accessories may result in injury.
- **NEVER STAND ON TOOL.** Serious injury could occur if the tool is tipped.
- **CHECK DAMAGED PARTS.** Before further use of the tool, a guard or other part that is damaged should be carefully checked to determine that it will operate properly and perform its intended function. Check for alignment of moving parts, binding of moving parts, breakage of parts, mounting and any other conditions that may affect its operation. A guard or other part that is damaged must be properly repaired or replaced by an authorized service center to avoid risk of personal injury.
- **USE THE RIGHT DIRECTION OF FEED.** Feed work into a blade, cutter, or sanding spindle against the direction of rotation of the blade, cutter, or sanding spindle only.
- **NEVER LEAVE TOOL RUNNING UNATTENDED. TURN THE POWER OFF.** Don't leave tool until it comes to a complete stop.
- **PROTECT YOUR LUNGS.** Wear a face or dust mask if the cutting operation is dusty.
- **PROTECT YOUR HEARING.** Wear hearing protection during extended periods of operation.
- **DO NOT ABUSE CORD.** Never carry tool by the cord or yank it to disconnect from receptacle. Keep cord from heat, oil, and sharp edges.
- **USE OUTDOOR EXTENSION CORDS.** When tool is used outdoors, use only extension cords with approved ground connection that are intended for use outdoors and so marked.
- **KEEP BLADES CLEAN, SHARP, AND WITH SUFFICIENT SET.** Sharp blades minimize stalling and kickback.
- **NEVER USE IN AN EXPLOSIVE ATMOSPHERE.** Normal sparking of the motor could ignite fumes.
- **INSPECT TOOL CORDS PERIODICALLY.** If damaged, have repaired by a qualified service technician at an authorized service facility. The conductor with insulation having an outer surface that is green with or without yellow stripes is the equipment-grounding conductor. If repair or replacement of the electric cord or plug is necessary, do not connect the equipment-grounding conductor to a live terminal. Repair or replace a damaged or worn cord immediately. Stay constantly aware of cord location and keep it well away from the rotating blade.

GENERAL SAFETY RULES




- **INSPECT EXTENSION CORDS PERIODICALLY** and replace if damaged.
- **KEEP TOOL DRY, CLEAN, AND FREE FROM OIL AND GREASE.** Always use a clean cloth when cleaning. Never use brake fluids, gasoline, petroleum-based products, or any solvents to clean tool.
- **STAY ALERT AND EXERCISE CONTROL.** Watch what you are doing and use common sense. Do not operate tool when you are tired. Do not rush.
- **DO NOT USE TOOL IF SWITCH DOES NOT TURN IT ON AND OFF.** Have defective switches replaced by an authorized service center.
- **INSPECT FOR AND REMOVE ALL NAILS FROM LUMBER BEFORE USING THIS TOOL.** Following this rule will reduce the risk of serious personal injury.
- **NEVER START A TOOL WHEN ANY ROTATING COMPONENT IS IN CONTACT WITH THE WORKPIECE.**
- **DO NOT OPERATE A TOOL WHILE UNDER THE INFLUENCE OF DRUGS, ALCOHOL, OR ANY MEDICATION.**
- **WHEN SERVICING** use only identical replacement parts. Use of any other parts may create a hazard or cause product damage.
- **USE ONLY RECOMMENDED ACCESSORIES** listed in this manual or addendums. Use of accessories that are not listed may cause the risk of personal injury. Instructions for safe use of accessories are included with the accessory.
- **DOUBLE CHECK ALL SETUPS.** Make sure the spindle or sanding belt assembly is tight and not making contact with sander or workpiece before connecting to power supply.

SPECIFIC SAFETY RULES






- **FIRMLY CLAMP OR BOLT** your tool to a workbench or table at approximately hip height.
- **NEVER** stand or have any part of your body in line with the path of the workpiece.
- **PLAN YOUR WORK TO REDUCE THE RISK OF THROWBACKS** (when the workpiece catches the sanding drum and is torn from your hands).
- **MAKE SURE THERE'S NO DEBRIS** between the workpiece and its supports.
- **WHEN SANDING IRREGULARLY SHAPED WORKPIECES,** plan your work support so it will not slip and be pulled from your hands.
- **USE EXTRA CAUTION WITH LARGE,** very small or awkward workpieces.
- **NEVER USE THIS TOOL** to finish pieces too small to hold by hand.
- **USE EXTRA SUPPORTS (TABLES, SAW HORSES, BLOCKS, ETC.)** for any workpieces large enough to tip when not secured to the work surface.
- **NEVER** sand more than one piece at a time. **DO NOT STACK** more than one workpiece on the sander table at a time.
- **ALWAYS FEED WORKPIECE FROM LEFT TO RIGHT** against the direction the drum sleeve is rotating.
- **DO NOT USE DRUMS,** sanding sleeves or belts which show visual signs of wear such as grooves, tears or rips.
- **ALWAYS STAY ALERT!** Do not allow familiarity (gained from frequent use of your sander) to cause a careless mistake. **ALWAYS REMEMBER** that a careless fraction of a second is sufficient to inflict severe injury.
- **MAKE SURE THE WORK AREA HAS AMPLE LIGHTING** to see the work and that no obstructions will interfere with safe operation **BEFORE** performing any work using your tool.
- **ALWAYS TURN OFF THE SANDER** before disconnecting it to avoid accidental starting when reconnecting to power supply. **NEVER** leave the tool unattended while connected to a power source.
- **SUPPORT WORKPIECE** with miter gauge, work rest, or worktable.
- **MAINTAIN 1/16 in.** clearance between worktable and sanding belt or disc.
- **AVOID KICKBACK** by sanding in accordance with directional arrows.
- **IF THE POWER SUPPLY CORD IS DAMAGED,** it must be replaced only by the manufacturer or by an authorized service center to avoid risk.
- **THIS TOOL** should have the following markings:
 - a) Wear eye protection.
 - b) Support workpiece with miter gauge, backstop (work support), or worktable.
 - c) Maintain 1/16 in. maximum clearance between work table and sanding belt or disc.
 - d) Do not perform any operation freehand.
 - e) Avoid kickback by sanding in accordance with directional arrows.
- **SAVE THESE INSTRUCTIONS.** Refer to them frequently and use them to instruct others who may use this tool. If you loan someone this tool, loan them these instructions also.

SYMBOLS

The following signal words and meanings are intended to explain the levels of risk associated with this product.

SYMBOL	SIGNAL	MEANING
	DANGER:	Indicates an imminently hazardous situation, which, if not avoided, will result in death or serious injury.
	WARNING:	Indicates a potentially hazardous situation, which, if not avoided, could result in death or serious injury.
	CAUTION:	Indicates a potentially hazardous situation, which, if not avoided, may result in minor or moderate injury.
	NOTICE:	(Without Safety Alert Symbol) Indicates a situation that may result in property damage.

Some of the following symbols may be used on this product. Please study them and learn their meaning. Proper interpretation of these symbols will allow you to operate the product better and safer.

SYMBOL	NAME	DESIGNATION/EXPLANATION
	Safety Alert	Indicates a potential personal injury hazard.
	Read Operator's Manual	To reduce the risk of injury, user must read and understand operator's manual before using this product.
	Eye Protection	Always wear safety goggles or safety glasses with side shields and, as necessary, a full face shield when operating this product.
	Wet Conditions Alert	Do not expose to rain or use in damp locations.
	No Hands Symbol	Failure to keep your hands away from the blade will result in serious personal injury.
V	Volts	Voltage
A	Amperes	Current
Hz	Hertz	Frequency (cycles per second)
min	Minutes	Time
~	Alternating Current	Type of current
n_0	No Load Speed	Rotational speed, at no load
.../min	Per Minute	Revolutions, strokes, surface speed, orbits etc., per minute

CALIFORNIA PROPOSITION 65

WARNING:

This product and some dust created by power sanding, sawing, grinding, drilling, and other construction activities may contain chemicals, including lead, known to the State of California to cause cancer, birth defects, or other reproductive harm. **Wash hands after handling.** Some examples of these chemicals are:

- lead from lead-based paints,
- crystalline silica from bricks and cement and other masonry products and,
- arsenic and chromium from chemically treated lumber.

Your risk from exposure to these chemicals varies, depending on how often you do this type of work. To reduce your exposure, work in a well-ventilated area and with approved safety equipment, such as dust masks that are specially designed to filter out microscopic particles.

ELECTRICAL

EXTENSION CORDS

Use only 3-wire extension cords that have 3-prong grounding plugs and 3-pole receptacles that accept the tool's plug. When using a power tool at a considerable distance from the power source, use an extension cord heavy enough to carry the current that the tool will draw. An undersized extension cord will cause a drop in line voltage, resulting in a loss of power and causing the motor to overheat. Use the chart provided below to determine the minimum wire size required in an extension cord. Only round jacketed cords listed by Underwriter's Laboratories (UL) should be used.

**Ampere rating (on tool data plate)

Cord Length	Wire Size (A.W.G.)					
	0-2.0	2.1-3.4	3.5-5.0	5.1-7.0	7.1-12.0	12.1-16.0
25'	16	16	16	16	14	14
50'	16	16	16	14	14	12
100'	16	16	14	12	10	—

**Used on 12 gauge - 20 amp circuit.

NOTE: AWG = American Wire Gauge

When working with the tool outdoors, use an extension cord that is designed for outside use. This is indicated by the letters "W-A" or "W" on the cord's jacket.

Before using an extension cord, inspect it for loose or exposed wires and cut or worn insulation.

WARNING:

Keep the extension cord clear of the working area. Position the cord so that it will not get caught on lumber, tools or other obstructions while you are working with a power tool. Failure to do so can result in serious personal injury.

WARNING:

Check extension cords before each use. If damaged replace immediately. Never use tool with a damaged cord since touching the damaged area could cause electrical shock resulting in serious injury.

ELECTRICAL CONNECTION

This tool is powered by a precision-built electric motor. It should be connected to a **power supply that is 120 volts, AC only (normal household current), 60 Hz.** Do not operate this tool on direct current (DC). A substantial voltage drop will cause a loss of power and the motor will overheat. If the tool does not operate when plugged into an outlet, double check the power supply.

SPEED AND WIRING

The belt speed of this tool is approximately 1,900 SFM. This speed is not constant and decreases under a load or with lower voltage. For voltage, the wiring in a shop is as important as the motor's horsepower rating. A line intended only for lights cannot properly carry a power tool motor. Wire that is heavy enough for a short distance will be too light for a greater distance. A line that can support one power tool may not be able to support two or three tools.

GROUNDING INSTRUCTIONS

See Figure 1, page 13.

In the event of a malfunction or breakdown, grounding provides a path of least resistance for electric current to reduce the risk of electric shock. This tool is equipped with an electric cord having an equipment-grounding conductor and a grounding plug. The plug must be plugged into a matching outlet that is properly installed and grounded in accordance with all local codes and ordinances.

Do not modify the plug provided. If it will not fit the outlet, have the proper outlet installed by a qualified electrician. Improper connection of the equipment-grounding conductor can result in a risk of electric shock. The conductor with insulation having an outer surface that is green with or without yellow stripes is the equipment-grounding conductor. If repair or replacement of the electric cord or plug is necessary, do not connect the equipment-grounding conductor to a live terminal.

Check with a qualified electrician or service personnel if the grounding instructions are not completely understood, or if in doubt as to whether the tool is properly grounded.

Repair or replace a damaged or worn cord immediately.

This tool is intended for use on a circuit that has an outlet like the one shown in figure 1. It also has a grounding pin like the one shown.

FEATURES

PRODUCT SPECIFICATIONS

Belt Size 4 in. x 36 in.
Belt Speed..... 1,900 SFM
Belt Tilt 0°- 90°
Disc Size..... 6 in.
Disc Speed 3,600 r/min. (RPM)

Table Size 8-7/8 in. x 6-1/4 in.
Table Tilt 0°- 45°
Input 120 V, AC only, 60 Hz, 4.3 Amps
Motor 1/2 HP

KNOW YOUR BELT/DISC SANDER

See Figure 2, page 13.

The safe use of this product requires an understanding of the information on the tool and in this operator's manual as well as a knowledge of the project you are attempting. Before use of this product, familiarize yourself with all operating features and safety rules.

BELT TENSION LEVER

The belt tension lever releases the belt tension for easy belt replacement.

BEVEL SCALE

The worktable comes equipped with a bevel scale that indicates the degrees the worktable can be tilted up to 45°.

MITER GAUGE

The miter gauge aligns the wood for positive stops at 90° and 45°.

POSITIONING BOLT

Loosen the positioning bolt to change sanding belt positions from horizontal to vertical.

SANDING BELT

The sanding belt can be adjusted from horizontal to vertical providing different positions for sanding workpieces of different shapes and sizes.

SANDING DISC

A round sanding disc is located on the side of the belt/disc sander.

SWITCH AND SWITCH KEY

Your belt/disc sander has an easy access power switch.

TRACKING KNOB

A tracking knob aids in centering the sanding belt.

WORK SUPPORT (BACKSTOP)

Supports the workpiece on the sanding belt.

WORK TABLE

Equipped with a sturdy work table that provides a stable surface when using either the disc sanding or the belt sanding feature.

ASSEMBLY

LOOSE PARTS LIST

See Figure 3, page 14.

The following items are included with the saw:

Key

No.	Description	Qty.
A	Work table	1
B	Miter gauge	1
C	Sanding disc.....	1
D	Socket head screws	2
E	Disc guard	1
F	Phillips screw.....	2
G	Work support.....	1
H	Hex key.....	1
I	Washers.....	2
J	Washer.....	1
K	Table lock knob	1
	Operator's Manual (not shown)	1

UNPACKING

This product requires assembly.

- Carefully lift sander from carton and place on a level work surface.

WARNING:

Do not use this product if any parts on the Loose Parts List are already assembled to your product when you unpack it. Parts on this list are not assembled to the product by the manufacturer and require customer installation. Use of a product that may have been improperly assembled could result in serious personal injury.

- Inspect the tool carefully to make sure no breakage or damage occurred during shipping.
- Do not discard the packing material until you have carefully inspected and satisfactorily operated the product.
- The sander is factory set for accurate sanding. After assembling it, check for accuracy. If shipping has influenced the settings, take to an authorized service center.
- If any parts are damaged or missing, please call 1-800-525-2579 for assistance.

WARNING:

If any parts are damaged or missing do not operate this product until the parts are replaced. Use of this product with damaged or missing parts could result in serious personal injury.

WARNING:

Do not attempt to modify this product or create accessories not recommended for use with this tool. Any such alteration or modification is misuse and could result in a hazardous condition leading to possible serious personal injury.

WARNING:

Do not connect to power supply until assembly is complete. Failure to comply could result in accidental starting and possible serious personal injury.

INSTALLING SANDING DISC AND DISC GUARD

See Figure 4, page 14.

- Remove the backing from the sanding disc.
- Align perimeter of sanding disc with plate and press firmly into position.
- Position disc guard against the lower one-third of the disc aligning holes.
- Using the two phillips head screws, securely tighten the disc guard in place.

INSTALLING/REPLACING SANDING BELT

See Figure 5, page 14.

On the smooth side of the sanding belt, there is a directional arrow. The sanding belt must run in the direction of the arrow.

- Using the hex key provided, loosen the positioning bolt by turning the bolt counterclockwise.
- Move the sanding belt into a vertical position.
- Lock the sanding belt by retightening the positioning bolt.
- Pull the belt tension lever toward you to release the belt tension.
- Place the sanding belt over the drive roller and idler roller with the directional arrows running counterclockwise. Be sure the sanding belt is centered on both drums.
- Push the belt tension lever back into place to apply the belt tension.

NOTE: The belt tension lever is spring loaded; use extreme caution when pushing the tension lever back into place to avoid personal injury.

ASSEMBLY

MOUNTING THE WORK TABLE FOR USE WITH THE DISC SANDER

See Figure 6, page 15.

- Insert the work table index pin into the hole in the tool's housing.
- Position a washer over the table lock knob then tighten the table lock knob securely.

MOUNTING THE WORK TABLE FOR USE WITH THE BELT SANDER

See Figure 7, page 15.

- Insert the work table index pin into the hole in the sanding belt arm.
- Position a washer over the table lock knob then tighten the table lock knob securely.

ASSEMBLING WORK SUPPORT

See Figure 8, page 15.

- Place the work support over the holes in the side of the sanding belt arm.
- Using a hex key, fasten in place with washers and socket head screws.

MOUNTING BELT/DISC SANDER TO WORKBENCH

See Figure 9, page 15.

If the belt/disc sander is to be used in a permanent location, it is recommended you secure it to a workbench or other stable surface. When mounting the belt/disc sander to a workbench, holes should be drilled through the supporting surface of the workbench.

- Mark holes on workbench where belt/disc sander is to be mounted using holes in the base as a template for hole pattern.
- Drill holes through workbench.
- Place belt/disc sander on workbench aligning holes in the base with holes drilled in the workbench.
- Insert bolts (not included) and tighten securely with lock washers and hex nuts (not included).

CLAMPING BELT/DISC SANDER TO WORKBENCH

See Figure 10, page 15.

If the belt/disc sander is to be used as a portable tool, it is recommended you fasten it permanently to a mounting board that can easily be clamped to a workbench or other stable surface. The mounting board should be of sufficient size to avoid tipping while belt/disc sander is in use. Any good grade plywood or chipboard with a 3/4 in. thickness is recommended.

- Mark holes on board where belt/disc sander is to be mounted using holes in the base as a template for hole pattern.
- Follow the last three steps in section *Mounting Belt/Disc Sander to Workbench*.

If lag bolts are used, make sure they are long enough to go through holes in belt/disc sander base and material the belt/disc sander is being mounted to. If machine bolts are used, make sure bolts are long enough to go through holes in belt/disc sander, the material being mounted to, and the lock washers and hex nuts.

OPERATION

WARNING:

Do not allow familiarity with tools to make you careless. Remember that a careless fraction of a second is sufficient to inflict serious injury.

WARNING:

Always wear eye protection with side shields marked to comply with ANSI Z87.1. Failure to do so could result in objects being thrown into your eyes, resulting in possible serious injury.

WARNING:

Do not use any attachments or accessories not recommended by the manufacturer of this tool. The use of attachments or accessories not recommended can result in serious personal injury.

APPLICATIONS

This product has been designed only for the purposes listed below:

- Sanding and finishing plastic, wood, and wood composition materials
- Bevel sanding
- Horizontal and vertical sanding
- Sanding curved pieces

OPERATION

WARNING:

Applying the workpiece to the right side of the sanding disc could cause the workpiece to kickback and/or loss of control. Failure to heed this warning could result in serious personal injury.

WARNING:

Do not reach across the sanding disc to turn the belt/disc sander **ON** or **OFF**. Contact with the sanding disc can result in serious personal injury.

POWER SWITCH

See Figure 11, page 16.

The belt/disc sander is equipped with a power switch that has a built-in locking feature. This feature is intended to prevent unauthorized and possible hazardous use by children and others.

TO TURN THE BELT/DISC SANDER ON:

- With the switch key inserted into the switch, lift the switch button to turn **ON**.

TO TURN THE BELT/DISC SANDER OFF:

- Press the switch button down to turn **OFF**.

WARNING:

ALWAYS remove the switch key when the tool is not in use and keep it in a safe place. In the event of a power failure, turn the switch **OFF** and remove the key. This action will prevent the tool from accidentally starting when power returns.

WARNING:

ALWAYS make sure your workpiece is not in contact with the belt before operating the switch to start the tool. Failure to heed this warning may cause the workpiece to be kicked back toward the operator and result in serious personal injury.

WARNING:

To reduce the risk of accidental starting, ALWAYS make sure the switch is in the **OFF** position before plugging tool into the power source.

LOCKING THE SWITCH

See Figure 12, page 16.

- Place the switch in the **OFF** position.
- Wait until the belt/disc sander has come to a full and complete stop.
- Remove the switch key from the switch assembly. Store key in safe place.

BEVEL SANDING

See Figures 13 - 14, page 16.

The worktable can be tilted from 0° to 45° for bevel sanding. For angles 30° and above, position sander to the edge of the work bench and mount sander in place as shown in figures 9 and 10.

To tilt the worktable:

- Loosen the table lock knob by turning it counterclockwise.
- Set worktable to desired angle.
- Tighten the table lock knob by turning it clockwise.

SANDING SMALL END SURFACES USING THE MITER GAUGE

See Figure 15, page 16.

A miter gauge is included with the tool for increased accuracy. Use of a miter gauge is recommended for sanding small end surfaces on the sanding disc.

NOTE: Always move the workpiece across the sanding disc from the left side toward the center.

HORIZONTAL AND VERTICAL SANDING

See Figure 16, page 17.

The belt/disc sander can sand both vertically and horizontally. Depending on the workpiece, use the work support for horizontal sanding operations and use the work table for vertical sanding operations.

- Using the hex key provided, loosen the positioning bolt by turning the bolt counterclockwise.
- Move the sanding belt into a vertical position.
- Lock the sanding belt by retightening the positioning bolt.

NOTE: Sand long workpieces with the sanding belt in the vertical position by moving the work evenly across the sanding belt.

WARNING:

ALWAYS use the work support for horizontal sanding and use the work table for vertical sanding. Using the sander without also using the work support or work table may expose the operator to pinch points and could result in serious personal injury.

OPERATION

SURFACE SANDING ON THE SANDING BELT

See Figure 17, page 17.

- Hold the workpiece firmly, keeping fingers away from the sanding belt.
- Keep the end pressed firmly against the work support moving work evenly across the sanding belt.

NOTE: Use extra caution when sanding very thin pieces. When sanding extra long pieces, move the work piece across the belt while applying only enough pressure to allow the sanding belt to remove the material.

SANDING CURVED PIECES

See Figures 18 - 19, page 17.

WARNING:

Never attempt to sand the end pieces of a workpiece on the idler drum. Applying the end of the workpiece on the idler drum could cause the workpiece to fly up. Failure to heed this warning could result in serious personal injury.

Sanding inside curves on the sanding belt:

Always sand inside curves on the idler drum.

- Hold the workpiece firmly, keeping fingers away from the sanding belt.
- Keep the curve pressed firmly against the idler drum moving work evenly across the sanding belt.

NOTE: Use extra caution when sanding very thin pieces and apply only enough pressure to allow the sanding belt to remove the material.

Sanding outside curves on the sanding disc:

Always sand outside curves using the sanding disc and moving the workpiece from the left side of center.

- Hold the workpiece firmly, keeping fingers away from the sanding disc.
- Keep the curve pressed firmly against the sanding disc moving work evenly on the left side of the sanding disc.

NOTE: Always move the workpiece across the sanding disc from the left side toward the center.

ADJUSTMENTS

WARNING:

Before performing any adjustment, make sure the tool is unplugged from the power supply and the switch is in the **OFF (O)** position. Failure to heed this warning could result in serious personal injury.

ADJUSTING THE BELT TRACKING

See Figure 20, page 18.

- Plug in belt/disc sander.

To check belt tracking:

- Turn the switch **ON** and then immediately turn it **OFF**. If the belt tends to slide off the idler drum or drive drum, the belt is not tracking properly.

To adjust belt tracking:

- If the sanding belt moves toward the disc, turn the tracking knob up 1/4 turn.

- If the sanding belt moves away from the disc, turn the tracking knob down 1/4 turn.
- Turn the switch **ON** and then immediately **OFF** again, noting belt movement. Readjust tracking knob if necessary.

SQUARING THE WORKTABLE TO THE SANDING DISC

See Figure 21, page 18 .

- Unplug the belt/disc sander.
- Using a combination square, check the angle of the worktable with the sanding belt.
- If the work table is not 90° with the disc, loosen the table lock knob and tilt the table.
- Adjust work table square to the sanding disc and retighten the table lock knob.

MAINTENANCE

WARNING:

When servicing, use only identical replacement parts. Use of any other parts may create a hazard or cause product damage.

WARNING:

Always wear eye protection with side shields marked to comply with ANSI Z87.1 during product operation. If operation is dusty, also wear a dust mask.

WARNING:

Before performing any maintenance, make sure the tool is unplugged from the power supply and the switch is in the off (O) position. Failure to heed this warning could result in serious personal injury.

GENERAL MAINTENANCE

Avoid using solvents when cleaning plastic parts. Most plastics are susceptible to damage from various types of commercial solvents and may be damaged by their use. Use clean cloths to remove dirt, dust, oil, grease, etc.

WARNING:

Do not at any time let brake fluids, gasoline, petroleum-based products, penetrating oils, etc., come in contact with plastic parts. Chemicals can damage, weaken or destroy plastic which may result in serious personal injury.

LUBRICATION

All of the bearings in this tool are lubricated with a sufficient amount of high grade lubricant for the life of the unit under normal operating conditions. Therefore, no further lubrication is required.

CHANGING DRIVE BELT

See Figure 22, page 18.

- Unplug the belt/disc sander.
- Using a phillips head screwdriver, remove the screw in the center of the belt cover.
- Remove the cover.
- Loosen the three tension screws inside the pulley housing then push the housing down to loosen the belt tension.
- Remove the old drive belt.
- Fit the new drive belt on the drive pulley first then on the motor pulley.
- Test belt tension by squeezing the belt with your fingers.
- Push the pulley housing up to increase belt tension until there is about 1/4 inch of give.
- Tighten the tension screws securely.
- Using a phillips head screwdriver, reinstall the pulley cover and the screw. Tighten securely.

NOTE: FIGURES (ILLUSTRATIONS) START ON PAGE 13 AFTER FRENCH AND SPANISH LANGUAGE SECTIONS.

TABLE DES MATIÈRES

■ Introduction	2
■ Garantie	2
■ Règles de sécurité générales	3-4
■ Règles de sécurité particulières	4
■ Symboles.....	5
■ Caractéristiques électriques.....	6
■ Caractéristiques	7
■ Assemblage.....	8-9
■ Utilisation.....	9-11
■ Réglages.....	11
■ Entretien	12
■ Figure numéros (illustrations).....	13-18
■ Commande de pièces/réparation.....	Page arrière

INTRODUCTION

Cet outil offre de nombreuses fonctions destinées à rendre son utilisation plaisante et plus satisfaisante. Lors de la conception de ce produit, l'accent a été mis sur la sécurité, les performances et la fiabilité, afin d'en faire un outil facile à utiliser et à entretenir.

GARANTIE

OUTILS ÉLECTRIQUES RYOBI® – GARANTIE LIMITÉE DE DEUX ANS ET POLITIQUE D'ÉCHANGE DE 30 JOURS

One World Technologies, Inc., garantit ses outils électriques dans les conditions suivantes :

POLITIQUE D'ÉCHANGE DE 30 JOURS : En cas de défaillance due à des vices de matériaux ou de fabrication au cours des 30 jours suivant la date d'achat, l'acheteur pourra faire réparer tout outil électrique Ryobi® au titre de cette garantie ou le retourner l'établissement où il a été acheté. Pour obtenir un outil en échange ou demander la réparation en garantie, l'équipement complet devra être retourné, dans son emballage d'origine, accompagné d'une preuve d'achat. L'outil fourni en échange sera couvert par la garantie limitée pour le restant de la période de validité de deux ans à compter de la date d'achat.

CE QUI EST COUVERT PAR LA GARANTIE : Cette garantie couvre tous les vices de matériaux et de fabrication de cet outil électrique Ryobi®, pour une période de deux ans, à compter de la date d'achat. À l'exception des batteries, les accessoires sont garantis pour une période de quatre-vingt-dix (90) jours. Les batteries sont garanties deux ans.

RÉPARATIONS SOUS GARANTIE : Il suffit de retourner l'outil, correctement emballé, en port payé, à un centre de réparations agréé. L'adresse du centre de réparations agréé le plus proche peut être obtenue en contactant un représentant du service après-vente par courrier, à l'adresse One World Technologies, Inc., P.O. Box 1207, Anderson, SC 29622-1207, par téléphone au 1-800-525-2579 ou par courriel, à l'adresse Internet www.ryobitools.com. Lors de toute demande de réparation sous garantie, une preuve d'achat datée (par exemple un reçu de vente) doit être fournie. Nous nous engageons à réparer tous les défauts de fabrication et à réparer ou remplacer, à notre choix, toutes les pièces défectueuses. Les réparations et remplacements seront gratuits. Les réparations sous garantie seront effectuées dans un délai raisonnable, ne dépassant en aucun cas quatre-vingt-dix (90) jours.

CE QUI N'EST PAS COUVERT : La garantie ne couvre que l'acheteur au détail original et n'est pas transférable. Cette garantie ne couvre que les défauts résultant d'une utilisation normale. Elle ne couvre pas les problèmes de fonctionnement, défaillances ou autres défauts résultant d'un usage incorrect ou abusif, de la négligence, de la modification, de l'altération ou de réparations effectuées par quiconque autre qu'un centre de réparations agréé. One World Technologies, Inc. ne fait aucune autre garantie, représentation ou promesse concernant la qualité et les performances de cet outil électrique, autres que celles expressément indiquées dans le présent document.

AUTRES LIMITATIONS : Toutes les garanties implicites accordées par les lois en vigueur, y compris les garanties de valeur marchande ou d'adéquation à un usage particulier, sont limitées à une durée de deux ans, à compter de la date d'achat. One World Technologies, Inc. déclinant toute responsabilité pour les dommages directs ou indirects, les limitations et exclusions peuvent ne pas s'appliquer à chaque acheteur. Cette garantie donne au consommateur des droits spécifiques, et celui-ci peut bénéficier d'autres droits, qui varient selon les états ou provinces.

RÈGLES DE SÉCURITÉ GÉNÉRALES



AVERTISSEMENT :

Lire attentivement toutes les instructions. Le non-respect de toutes les instructions ci-dessous peut entraîner un choc électrique, un incendie et/ou des blessures graves.

LIRE TOUTES LES INSTRUCTIONS TRAVAILLER LE SECTEUR

- **VEILLER À BIEN CONNAÎTRE L'OUTIL.** Lire attentivement le manuel d'utilisation. Apprendre les applications et les limites de l'outil, ainsi que les risques spécifiques relatifs à son utilisation.
- **SE PROTÉGER DES CHOCS ÉLECTRIQUES EN ÉVITANT TOUT CONTACT DU CORPS AVEC DES SURFACES MISES À LA TERRE.** Par exemple: tuyaux, radiateurs, cuisinières, réfrigérateurs.
- **MAINTENIR TOUS LES DISPOSITIFS DE PROTECTION EN PLACE** et en bon état de fonctionnement.
- **RETIRER LES CLÉS ET OUTILS DE RÉGLAGE.** Prendre l'habitude de vérifier que tous les outils et clés de réglage en ont été retirés de l'outil avant de le mettre en marche.
- **GARDER LE LIEU DE TRAVAIL PROPRE.** Un lieu de travail et un établi encombrés sont propices aux accidents. **NE PAS** laisser d'outils ou de pièces de bois sur la machine en fonctionnement.
- **NE PAS UTILISER DANS DES ENVIRONNEMENTS DANGEREUX.** Ne pas utiliser les outils électriques dans des endroits mouillés ou humides, ne pas les exposer à la pluie. Garder le lieu de travail bien éclairé.
- **GARDER LES ENFANTS ET VISITEURS À L'ÉCART.** Tous les visiteurs doivent porter des lunettes de sécurité et se tenir à bonne distance de la zone de travail. Ne pas laisser les visiteurs toucher l'outil ou son cordon d'alimentation pendant le fonctionnement.
- **ASSURER LA SÉCURITÉ DES ENFANTS** dans l'atelier en installant des cadenas et des disjoncteurs ou en retirant les clés de contact.
- **NE PAS FORCER L'OUTIL.** Il exécutera le travail mieux et de façon moins dangereuse s'il fonctionne dans les limites prévues.
- **UTILISER L'OUTIL APPROPRIÉ.** Ne pas utiliser l'outil ou un accessoire pour effectuer un travail pour lequel il n'est pas conçu.
- **UTILISER UN CORDON PROLONGATEUR ADÉQUAT.** S'assurer que le cordon prolongateur est en bon état. Utiliser exclusivement un cordon d'une capacité suffisante pour supporter le courant de fonctionnement de l'outil. Un cordon de capacité insuffisante causerait une baisse de la tension de ligne, entraînant une perte de puissance et une surchauffe. Un calibre de fil (A.W.G) d'au minimum **16** est recommandé pour un cordon prolongateur de 15,2 m (50 pi) ou moins. En cas de doute, utiliser un cordon du calibre immédiatement supérieur. Moins le numéro de calibre est élevé, plus la capacité du fil est grande.
- **PORTER UNE TENUE APPROPRIÉE.** Ne pas porter de vêtements amples, cravates, ou bijoux susceptibles de se prendre et vous entraîner dans les pièces mobiles. Des gants en caoutchouc et des chaussures antidérapantes sont recommandées pour le travail à l'extérieur. Les cheveux longs doivent être ramassés sous un couvre-chef.
- **TOUJOURS PORTER DES LUNETTES DE SÉCURITÉ À COQUES LATÉRALES.** Les lunettes de vue ordinaires sont munies seulement de verres résistants aux impacts ; ce ne sont **PAS** des lunettes de sécurité.
- **ASSUJETTIR LES PIÈCES.** Dans la mesure du possible, utiliser des serre-joint ou un étau, ce qui réduit les risques et laisse les deux mains libres pour contrôler l'outil.
- **NE PAS TRAVAILLER HORS DE PORTÉE.** Toujours se tenir bien campé et en équilibre.
- **ENTREtenir SOIGNEUSEMENT LES OUTILS.** Garder les outils bien affûtés et propres pour accroître la sécurité et les performances. Suivre les instructions de lubrification et de changement d'accessoires.
- **DÉBRANCHER TOUS LES OUTILS.** Tous les outils doivent être débranchés lorsqu'ils ne sont pas en usage et avant toute opération d'entretien ou de changement d'accessoire, lame, forer, fers, etc.
- **ÉVITER LES DÉMARRAGES ACCIDENTELS.** S'assurer que le commutateur est en position d'arrêt avant de brancher un outil.
- **UTILISER LES ACCESSOIRES RECOMMANDÉS.** Voir les accessoires recommandés dans le manuel d'utilisation. L'usage de tout accessoire incorrect peut être dangereux.
- **NE JAMAIS MONTER SUR L'OUTIL.** Un basculement pourrait entraîner des blessures graves.
- **VÉRIFIER L'ÉTAT DES PIÈCES.** Avant d'utiliser l'outil de nouveau examiner soigneusement les pièces et dispositifs de protection qui semblent endommagés afin de déterminer s'ils fonctionnent correctement et s'ils remplissent les fonctions prévues. Vérifier l'alignement des pièces mobiles, s'assurer qu'aucune pièce n'est bloquée ou cassée, vérifier la fixation de chaque pièce et s'assurer qu'aucun autre problème ne risque d'affecter le bon fonctionnement de l'outil. Pour éviter les risques de blessures, toute protection ou pièce endommagée doit être correctement réparée ou remplacée dans un centre de réparations agréé.
- **ENGAGER LES PIÈCES DANS LE SENS CORRECT.** Le matériau à couper ne doit être engagé que contre le sens de rotation de la lame, de l'accessoire ou de la toupie de pon / cage.
- **NE JAMAIS LAISSER L'OUTIL EN FONCTIONNEMENT SANS SURVEILLANCE. COUPER L'ALIMENTATION ÉLECTRIQUE.** Ne pas s'éloigner de l'outil avant qu'il soit parvenu à un arrêt complet.
- **PORTER UNE PROTECTION RESPIRATOIRE.** Porter un masque facial ou respiratoire si le travail produit de la poussière.
- **PORTER UNE PROTECTION AUDITIVE.** Porter une protection auditive durant les périodes d'utilisation prolongée.
- **NE PAS MALTRAITER LE CORDON D'ALIMENTATION.** Ne jamais utiliser le cordon d'alimentation pour transporter l'outil et ne jamais débrancher ce dernier en tirant sur le cordon. Garder le cordon à l'écart de la chaleur, de l'huile et des objets tranchants.
- **N'UTILISER QUE DES CORDONS PROLONGATEURS POUR EXTÉRIEUR.** Pour les travaux à l'extérieur, utiliser exclusivement des cordons spécialement conçus à cet effet, marqués en conséquence, et dotés d'une prise de terre agréée.
- **GARDER LES LAMES PROPRES, BIEN AFFÛTÉES ET SUFFISAMMENT AVOYÉES.** Des lames affûtées réduisent les risques de blocage et de rebond.
- **NE JAMAIS UTILISER CET OUTIL DANS UNE ATMOSPHÈRE EXPLOSIVE.** Les étincelles normalement produite par le moteur pourraient enflammer les vapeurs.

RÈGLES DE SÉCURITÉ GÉNÉRALES

- **INSPECTER LES CORDONS D'ALIMENTATION RÉGULIÈREMENT.** S'ils sont endommagés, les par un technicien qualifié ou un centre de réparations agréé. Le fil à gaine verte, avec ou sans traceur jaune est le fil de terre. Si le cordon doit être réparé ou remplacé, ne pas connecter le fil de terre de l'outil sur une borne sous tension. Tout cordon endommagé doit être réparé ou remplacé immédiatement. Toujours rester conscient de l'emplacement du cordon et veiller à le tenir à l'écart de la lame en rotation.
- **INSPECTER RÉGULIÈREMENT LES CORDONS PROLONGATEURS** et les remplacer s'ils sont endommagés.
- **GARDER L'OUTIL SEC, PROPRE ET EXEMPT D'HUILE OU DE GRAISSE.** Toujours utiliser un chiffon propre pour le nettoyage. Ne jamais utiliser de liquide de freins, d'essence ou de produits à base de pétrole pour nettoyer l'outil.
- **RESTER VIGILANT ET GARDER LE CONTRÔLE.** Se montrer attentif et faire preuve de bon sens. Ne pas utiliser l'outil en état de fatigue. Ne pas se presser.
- **NE PAS UTILISER L'OUTIL SI LE COMMUTATEUR NE PERMET PAS DE LE METTRE EN MARCHÉ OU DE L'ARRÊTER.** Faire remplacer les commutateurs défectueux dans un centre de réparations agréé.
- **INSPECTER LA PIÈCE ET RETIRER LES CLOUS ÉVENTUELS AVANT D'UTILISER CET OUTIL.** Le respect de cette consigne réduira les risques de blessures graves.
- **NE JAMAIS METTRE UN OUTIL EN MARCHÉ LORSQU'UNE PIÈCE EN ROTATION QUELCONQUE EST EN CONTACT AVEC LA PIÈCE À COUPER.**
- **NE PAS UTILISER CET OUTIL SOUS L'INFLUENCE DE L'ALCOOL, DE DROGUES OU DE MÉDICAMENTS.**
- Utiliser exclusivement des pièces identiques à celles d'origine **POUR LES RÉPARATIONS.** L'usage de toute autre pièce pourrait créer une situation dangereuse ou endommager l'outil.
- **UTILISER EXCLUSIVEMENT LES ACCESSOIRES RECOMMANDÉS** dans ce manuel ou ses addendas. L'emploi de tout accessoire non recommandé peut présenter un risque de blessure. Les instructions de sécurité d'utilisation sont fournies avec les accessoires.
- **VÉRIFIER DEUX FOIS TOUS LES RÉGLAGES.** S'assurer que la toupie ou la bande est bien assujettie et ne touche ni la machine, ni la pièce à poncer avant de brancher la machine sur le secteur.

RÈGLES DE SÉCURITÉ PARTICULIÈRES

- **ASSUJETTIR OU BOULONNER SOLIDEMENT** la machine sur un établi ou autre plan de travail, approximativement à la hauteur des hanches.
- **NE JAMAIS** se tenir ou laisser une partie du corps se trouver dans la trajectoire de la pièce.
- **PLANIFIER LE TRAVAIL POUR ÉVITER LES RISQUES DE REBOND** (c'est-à-dire lorsque la pièce se bloque sur le cylindre de ponçage et est arrachée des mains de l'opérateur).
- **S'ASSURER DE L'ABSENCE DE DÉBRIS** entre la pièce et ses supports.
- **LORS DU PONÇAGE DE PIÈCES IRRÉGULIÈRES,** planifier le travail afin que la pièce ne risque pas d'être arrachée des mains.
- **REDOUBLER DE PRUDENCE AVEC LES PIÈCES** très grandes, très petites ou de forme irrégulière.
- **NE JAMAIS UTILISER CE OUTIL** pour poncer des pièces trop petites pour être tenues à la main.
- **UTILISER DES SUPPORTS SUPPLÉMENTAIRES (TABLES, CHEVALETS, CALES, ETC.)** si la pièce à poncer est assez grande pour basculer si elle n'est pas assujettie sur le plan de travail.
- **NE JAMAIS** poncer plus d'une pièce à la fois. **NE JAMAIS** empiler plusieurs pièces sur la table de la ponceuse.
- **L'AVANCE SE FAIT DE GAUCHE À DROITE** à contresens du cylindre en rotation.
- **NE PAS UTILISER DE CYLINDRES,** manchons abrasifs ou bandes présentant des dommages visibles, tels qu'éraflures ou déchirures.
- **TOUJOURS ÊTRE ATTENTIF !** Ne pas laisser la familiarité avec l'outil (acquise par une utilisation fréquente) causer une erreur stupide. **TOUJOURS ÊTRE CONSCIENT** qu'une fraction de seconde d'inattention peut entraîner des blessures graves.
- **S'ASSURER QUE LA ZONE DE TRAVAIL EST SUFFISAMMENT ÉCLAIRÉE** pour voir ce que l'on fait et qu'aucun obstacle ne peut nuire à la sécurité d'utilisation **AVANT** d'effectuer quelque travail que ce soit.
- **TOUJOURS ÉTEINDRE LA MACHINE** avant de la débrancher, pour éviter un démarrage accidentel lors du branchement pour l'utilisation suivante. **NE JAMAIS** laisser la machine branchée sans surveillance.
- **SOUTENIR LA MACHINE** avec le guide, le support de pièce ou la table de la machine.
- **MAINTENIR UN ESPACE DE 1,5 mm (1/16 po)** entre la table et la bande ou le disque abrasif.
- **ÉVITER LE REBOND** en ponçant dans le sens indiqué par les flèches.
- **SI LE CORDON D'ALIMENTATION EST ENDOMMAGÉ,** il doit être remplacé uniquement par le fabricant ou par un centre de réparation agréé pour éviter tout risque.
- Les avertissements ci-dessous doivent être apposés sur **CET OUTIL** :
 - a) Porter une protection oculaire.
 - b) Soutenir la pièce avec le guide d'onglet, le le receveur (plaque de support) ou la table de travail.
 - c) Maintenir un espace de 1.5 mm (1/16 po) entre la table de travail et la bande ou le disque de lija.
 - d) Ne jamais travailler à main levée.
 - e) Éviter le rebond en ponçant dans le sens indiqué par les flèches.
- **CONSERVER CES INSTRUCTIONS.** Les consulter fréquemment et les utiliser pour instruire les autres utilisateurs éventuels. Si cet outil est prêté, il doit être accompagné de ces instructions.

SYMBOLES

Les termes de mise en garde suivants et leur signification ont pour but d'expliquer le degré de risques associé à l'utilisation de ce produit.

SYMBOLE	SIGNAL	SIGNIFICATION
	DANGER :	Indique une situation extrêmement dangereuse qui, si elle n'est pas évitée, aura pour conséquences des blessures graves ou mortelles.
	AVERTISSEMENT :	Indique une situation potentiellement dangereuse qui, si elle n'est pas évitée, pourrait entraîner des blessures graves ou mortelles.
	ATTENTION :	Indique une situation potentiellement dangereuse qui, si elle n'est pas évitée, pourrait entraîner des blessures légères ou de gravité modérée.
	AVIS :	(Sans symbole d'alerte de sécurité) Indique une situation pouvant entraîner des dommages matériels.

Certains des symboles ci-dessous peuvent être utilisés sur produit. Veiller à les étudier et à apprendre leur signification. Une interprétation correcte de ces symboles permettra d'utiliser produit plus efficacement et de réduire les risques.

SYMBOLE	NOM	DÉSIGNATION / EXPLICATION
	Symbole d'alerte de sécurité	Indique un risque de blessure potentiel.
	Lire le manuel d'utilisation	Pour réduire les risques de blessures, l'utilisateur doit lire et veiller à bien comprendre le manuel d'utilisation avant d'utiliser ce produit.
	Protection oculaire	Toujours porter des lunettes de sécurité munies d'écrans latéraux et un masque facial intégral lors de l'utilisation de cet outil.
	Avertissement concernant l'humidité	Ne pas exposer à la pluie ou l'humidité.
	Symbole mains à l'écart	Le non respect de cette mise en garde peut entraîner des blessures graves.
V	Volts	Tension
A	Ampères	Intensité
Hz	Hertz	Fréquence (cycles par seconde)
min	Minutes	Temps
~	Courant alternatif	Type de courant
n ₀	Vitesse à vide	Vitesse de rotation à vide
.../min	Par minute	Tours, coups, vitesse périphérique, orbites, etc., par minute

PROPOSITION 65 DE LA CALIFORNIE

AVERTISSEMENT :

Ce produit et la poussière dégagée lors du ponçage, sciage, meulage, perçage de certains matériaux et lors d'autres opérations de construction contient des produits chimiques, notamment du plomb, identifiés par l'état de Californie comme causes de cancer, des malformations congénitales ou des lésions de l'appareil reproducteur. **Bien se laver les mains après toute manipulation.** Voici certains exemples de ces produits chimiques :

- le plomb contenu dans la peinture au plomb,
- la silice cristalline contenue dans les briques, le béton et d'autres produits de maçonnerie, ainsi que
- l'arsenic et le chrome contenus dans le bois de construction traité par produits chimiques.

Le risque présenté par l'exposition à ces produits varie en fonction de la fréquence de ce type de travail. Pour réduire l'exposition: travailler dans un endroit bien aéré et utiliser des équipements de sécurité approuvés tels que masques antipoussière spécialement conçus pour filtrer les particules microscopiques.

CARACTÉRISTIQUES ÉLECTRIQUES

CORDONS PROLONGATEURS

Utiliser exclusivement des cordons prolongateurs à trois fils doté d'une fiche à prise de terre branchés sur une prise triphasée compatible avec la fiche de l'outil. Lors de l'utilisation d'un outil électrique à grande distance d'une prise secteur, veiller à utiliser un cordon prolongateur d'une capacité suffisante pour supporter l'appel de courant de l'outil. Un cordon de capacité insuffisante causerait une baisse de la tension de ligne, entraînant une perte de puissance et une surchauffe. Se reporter au tableau ci-dessous pour déterminer le calibre minimum de fil requis pour un cordon donné. Utiliser exclusivement des cordons à gaine ronde homologués par Underwriter's Laboratories (UL).

**Intensité nominale (sur la plaquette signalétique de l'outil)

Longueur du cordon	Calibre de fil (A.W.G.)					
	0-2,0	2,1-3,4	3,5-5,0	5,1-7,0	7,1-12,0	12,1-16,0
25'	16	16	16	16	14	14
50'	16	16	16	14	14	12
100'	16	16	14	12	10	—

**Utilisé sur circuit de calibre 12 – 20 A

NOTE : AWG = American Wire Gauge

Pour les travaux à l'extérieur, utiliser un cordon prolongateur spécialement conçu à cet effet. La gaine des cordons de ce type porte l'inscription « W-A » ou « W ».

Avant d'utiliser un cordon prolongateur, vérifier que ses fils ne sont ni détachés ni exposés et que son isolation n'est ni coupée, ni usée.



AVERTISSEMENT

Maintenir le cordon prolongateur à l'écart de la zone de travail. Lors du travail avec un cordon électrique, placer le cordon de manière à ce qu'il ne risque pas de se prendre dans les pièces de bois, outils et autres obstacles. Ne pas prendre cette précaution peut entraîner des blessures graves.



AVERTISSEMENT

Vérifier l'état des cordons prolongateurs avant chaque utilisation. Remplacer immédiatement tout cordon endommagé. Ne jamais utiliser un outil dont le cordon d'alimentation est endommagé car tout contact avec la partie endommagée pourrait causer un choc électrique et des blessures graves.

CONNEXION ÉLECTRIQUE

Cet outil est équipé d'un moteur électrique de précision. Elle doit être branchée uniquement sur une **alimentation 120 V, c.a. (courant résidentiel standard), 60 Hz**. Ne pas utiliser cet outil sur une source de courant continu (c.c.). Une chute de tension importante causerait une perte de puissance et une surchauffe du moteur. Si l'outil ne fonctionne pas une fois branché, vérifier l'alimentation électrique.

VITESSE ET CÂBLAGE

La vitesse de bande de cet outil est d'environ 1 900 SFM. La vitesse n'est pas constante et elle diminue sous une charge ou en présence d'une baisse de tension. Le câblage de l'atelier est aussi important que la puissance nominale du moteur. Une ligne conçue seulement pour l'éclairage ne peut pas alimenter correctement le moteur d'un outil électrique. Un fil électrique d'une capacité suffisante pour une courte distance ne le sera pas nécessairement pour une distance plus longue. Une ligne dont la capacité est suffisante pour un outil électrique ne l'est pas nécessairement pour deux ou trois.

INSTRUCTIONS DE MISE À LA TERRE

Voir figure 1, page 13.

En cas de problème de fonctionnement ou de panne, la mise à la terre fournit un chemin de résistance au courant électrique, pour réduire le risque de choc électrique. Cet outil est équipé d'un cordon électrique avec conducteur et fiche de mise à la terre. Le cordon doit être branché sur une prise correctement installée et mise à la terre conformément à tous les codes et réglementations locaux en vigueur.

Ne pas modifier la fiche fournie. Si elle ne peut pas être insérée dans la prise secteur, faire installer une prise adéquate par un électricien qualifié. L'usage d'un cordon prolongateur incorrect peut présenter des risques de choc électrique. Le fil à gaine verte, avec ou sans traceur jaune est le fil de terre. Si le cordon doit être réparé ou remplacé, ne pas connecter le fil de terre de l'outil sur une borne sous tension.

Consulter un électricien qualifié ou le personnel de service si les instructions de mise à la terre ne sont pas bien comprises, ou en cas de doute au sujet de la mise à la terre.

Tout cordon endommagé doit être réparé ou remplacé immédiatement.

Cet outil est conçu pour être branché sur un circuit comportant une prise telle que celle montrée à la figure 1. Sa fiche est dotée d'une broche de terre semblable à celle représentée.

CARACTÉRISTIQUES

FICHE TECHNIQUE

Bande de ponçage .. 101,6 mm x 914,4 mm (4 po x 36 po)
Bande de ponçage - vitesse 1 900 pi lin/min
Bande de ponçage - inclinaison..... 0° à 90°
Disque-taille..... 152,4 mm (6 po)
Disque-vitesse..... 3 600 r/min (RPM)

Bande de ponçage - dimensions 225,4 mm x 158,7 mm
(8-7/8 po x 6-1/4 po)
Bande de ponçage - inclinaison.....0° à 45°
Alimentation nominale .. 120 V, c.a. seulement, 60 Hz, 4,3 A
Moteur 1/2 HP

CONNAISSEZ VOTRE PONCEUSE À BANDE/ DISQUE

Voir figure 2, page 13.

L'utilisation sûre de ce produit exige une compréhension des renseignements figurant sur l'outil et contenus dans le manuel d'utilisation, ainsi qu'une bonne connaissance du projet entrepris. Avant d'utiliser ce produit, se familiariser avec toutes ses caractéristiques et règles de sécurité.

LEVIER DE TENSIONNEMENT DE LA BANDE DE PONÇAGE

Ce levier permet de supprimer la tension exercée sur la bande de ponçage, pour un remplacement facile de la bande de ponçage.

ÉCHELLE DE BISEAU

La table de travail est fournie avec un échelle de biseau; il permet le réglage de l'inclinaison de la table jusqu'à 45°.

GUIDE D'ONGLET

Ce guide d'onglet aligne le bois pour une coupe transversale. Le rapporteur facile à lire indique l'angle exact pour la coupe de l'onglet et présente des butées fixes à 45 et 90°.

BOULON DE POSITIONNEMENT

Desserrer le boulon de positionnement pour changer les positions de la bande de ponçage de horizontalement ou verticalement.

BANDE DE PONÇAGE

On peut ajuster la position de la bande de ponçage entre horizontal et vertical en fonction des besoins de l'application (forme et taille de la pièce à poncer).

DISQUE DE PONÇAGE

Le disque de ponçage est situé sur le côté de l'outil.

INTERRUPTEUR ET CLÉ D'INTERRUPTEUR

La ponceuse à bande/disque comporte un interrupteur facile d'accès.

BOUTON DE CENTRAGE

Le bouton de centrage permet de centrer la bande de ponçage.

PLAQUE DE SUPPORT (RECEVEUR)

Pour le soutien de la pièce à poncer sur la bande de ponçage.

TABLE DE TRAVAIL

L'outil est doté d'une robuste table de travail qui offre une surface d'appui stable pour le ponçage à l'aide du disque ou de la bande de ponçage.

ASSEMBLAGE

LISTE DES PIÈCES DÉTACHÉE

Voir la figure 3, page 14.

Les articles suivants sont inclus avec le scie :

No. de

Pièce	Description	Qté.
A	Table de travail.....	1
B	Guide d'onglet,.....	1
C	Disque de ponçage	1
D	Vis tête creuse	2
E	Carter du disque.....	1
F	Vis phillips.....	2
G	Plaque de support	1
H	Clé hexagonale.....	1
I	Rondelles.....	2
J	Rondelle.....	1
K	Bouton de blocage de table	1
	Manuel d'utilisation (non illustré).....	1

DÉBALLAGE

Ce produit doit être assemblé.

- Sortir soigneusement la ponceuse du carton et la poser sur un plan de travail horizontal.

AVERTISSEMENT :

Ne pas utiliser le produit si, en le déballant, vous constatez que des éléments figurant dans la liste des pièces détachées sont déjà assemblés. Certaines pièces figurant sur cette liste n'ont pas été assemblées par le fabricant et exigent une installation. Le fait d'utiliser un produit qui a été assemblé de façon inadéquate peut entraîner des blessures.

- Examiner soigneusement l'outil pour s'assurer que rien n'a été brisé ou endommagé en cours de transport.
- Ne pas jeter les matériaux d'emballage avant d'avoir soigneusement examiné ce produit et avoir vérifié qu'il fonctionne correctement.
- La ponceuse est réglée en usine pour effectuer une ponçage précise. Après l'avoir assemblée, vérifier sa précision. Si les réglages ont été modifiés en cours d'expédition, prendre pour centre de réparation.
- Si des pièces sont manquantes ou endommagées, appeler le 1-800-525-2579.

AVERTISSEMENT :

Si des pièces manquent ou sont endommagées, ne pas utiliser ce produit avant qu'elles aient été remplacées. Le fait d'utiliser ce produit même s'il contient des pièces endommagées ou s'il lui manque des pièces peut entraîner des blessures graves.

AVERTISSEMENT :

Ne pas essayer de modifier cet outil ou de créer des accessoires non recommandés pour ce produit. De telles altérations ou modifications sont considérées comme un usage abusif et peuvent créer des conditions dangereuses, risquant d'entraîner des blessures graves.

AVERTISSEMENT :

Ne pas brancher sur le secteur avant d'avoir terminé l'assemblage. Le non respect de cet avertissement peut causer un démarrage accidentel, entraînant des blessures graves.

INSTALLATION DU DISQUE DE PONÇAGE ET DU CARTER

Voir la figure 4, page 14.

- Ôtez la feuille d'endos du disque de ponçage.
- Alignez le périmètre du disque de ponçage avec la plaque d'appui; appliquez fermement pour l'adhésion.
- Positionnez le carter contre le 1/3 inférieur du disque; alignez les trous.
- Avec deux vis Phillips, fixez solidement le carter en place.

INSTALLATION/REMPACEMENT DE LA BANDE DE PONÇAGE

Voir la figure 5, page 14.

Sur la face lisse de la bande de ponçage, il y a des flèches directionnelles, qui indiquent la direction de mouvement de la bande de ponçage.

- À l'aide de la clé hexagonal, desserrer le boulon de positionnement en tournant le boulon dans le sens antihoraire.
- Positionnez la bande de ponçage verticalement.
- Resserrez le boulon de positionnement pour bloquer la bande de ponçage.
- Tirez sur le levier de tensionnement pour supprimer la tension exercée sur la bande de ponçage.
- Placez la bande de ponçage neuve sur le tambour moteur et sur le tambour libre; les flèches directionnelles doivent être orientées pour le mouvement dans le sens antihoraire. Veillez à ce que la bande de ponçage soit centrée sur les deux tambours.
- Poussez le levier de tensionnement pour appliquer la tension sur la bande de ponçage.

NOTE : Le levier de tensionnement est chargé par ressort; procédez prudemment lors de l'application de la tension, pour éviter des blessures.

ASSEMBLAGE

MONTAGE DE LA TABLE DE TRAVAIL POUR L'UTILISATION AVEC LE DISQUE DE PONÇAGE

Voir la figure 6, page 15.

- Insérez la épingle d'index dans le trou dans le logement de l'outil.
- Mettez une rondelle sur le bouton de blocage de table alors serrer solidement une rondelle sur le bouton de blocage de table.

MONTAGE DE LA TABLE DE TRAVAIL POUR L'UTILISATION AVEC LA BANDE DE PONÇAGE

Voir la figure 7, page 15.

- Insérez la épingle d'index dans le trou dans le bras de bande abrasive.
- Mettez une rondelle sur le bouton de blocage de table alors serrer solidement une rondelle sur le bouton de blocage de table.

INSTALLATION DU SUPPORT

Voir la figure 8, page 15.

- Positionnez la plaque de support de la pièce à poncer par-dessus les trous sur le côté du e bras de bande abrasive.
- Avec une clé hex., effectuez le serrage des vis (n'oubliez pas de placer les rondelles).

MONTAGE DE LA PONCEUSE À BANDE/ DISQUE SUR UN ÉTABLI

Voir la figure 9, page 15.

Si la ponceuse à bande/disque doit être utilisée dans un endroit définitif, fixez-la à un établi ou à une autre surface stable. Lorsque vous montez la ponceuse sur un établi, percez des trous dans la surface supérieure de l'établi.

- Faites des repères sur l'établi pour les trous qui permettront de fixer votre ponceuse. Utilisez les trous de la

base de votre ponceuse comme gabarit pour la disposition des trous.

- Percez les trous dans l'établi.
- Placez la ponceuse sur l'établi, en alignant les trous de sa base avec les trous percés dans l'établi.
- Insérez les boulons (non inclus) et serrez-les bien en utilisant des rondelles-freins et des écrous hex. (non inclus).

FIXATION DE LA PONCEUSE À BANDE/DISQUE À UN ÉTABLI AVEC DES SERRE-JOINTS

Voir la figure 10, page 15.

Si la ponceuse à bande/disque doit être transportée pour être utilisée à différents endroits, nous vous recommandons de la fixer de manière permanente sur un panneau de montage qui peut être facilement fixé à un établi ou à toute autre surface à l'aide de serre-joints. Le panneau de montage doit être suffisamment grand pour éviter le basculement de la ponceuse lors de son utilisation. Nous vous recommandons d'employer un morceau de contre-plaqué ou d'aggloméré de bonne qualité de 19 mm (3/4 po) d'épaisseur.

- Faites des repères sur le panneau pour les trous qui permettront de fixer votre ponceuse. Utilisez les trous de la base de votre ponceuse comme gabarit pour la disposition des trous.
- Suivez les trois dernières étapes de la section intitulée *Montage de la ponceuse à bande/disque sur un établi.*

Si vous utilisez des tire-fond, assurez-vous que leur longueur est suffisante pour traverser les trous du socle de la ponceuse et le matériau sur lequel est montée la scie. Si vous utilisez des boulons, assurez-vous qu'ils sont assez longs pour traverser les trous du socle de la ponceuse, le matériau sur lequel est monté la scie, les rondelles-freins et les écrous hex.

UTILISATION

AVERTISSEMENT :

Ne pas laisser la familiarité avec l'outil faire oublier la prudence. Ne pas oublier qu'une fraction de seconde d'inattention peut entraîner des blessures graves.

AVERTISSEMENT :

Toujours porter une protection oculaire certifiée conforme à la norme ANSI Z87.1. Si cette précaution n'est pas prise, des objets peuvent être projetés dans les yeux et causer des lésions graves.

AVERTISSEMENT :

Ne pas utiliser d'outils ou accessoires non recommandés pour cet outil. L'utilisation de pièces et accessoires non recommandés peut entraîner des blessures graves.

APPLICATIONS

Ce produit est conçu uniquement pour les applications suivantes :

- Ponçage et le plastique final, le bois, et les matériels de composition de bois
- Ponçage d'une pièce en biseau
- L'horizontale et ponçage vertical
- Ponçage a courbé des morceaux

UTILISATION

AVERTISSEMENT :

Un violent recul de la pièce à poncer peut se produire lors de l'entrée en contact de la pièce à poncer avec le côté droit du disque de ponçage et/ou une perte de contrôle. La non-observation de cet avertissement peut entraîner des blessures graves.

AVERTISSEMENT :

Ne pas atteindre à travers le disque de sanding pour allumer la ponceuse à bande/disque mettre « **ON** » (**MARCHE**) ou « **OFF** » (**ARRÊT**). Contacter avec le disque abrasif peut entraîner des blessures graves.

COMMUTATEUR MARCHE / ARRÊT

Voir la figure 11, page 16.

La ponceuse à bande/disque est équipée d'un commutateur avec dispositif de verrouillage intégré. Ce dispositif est conçu pour empêcher l'utilisation non autorisée et potentiellement dangereuse par des enfants ou personnes non compétentes.

POUR METTRE LA PONCEUSE À BANDE/DISQUE EN MARCHE :

- La clé étant insérée dans le commutateur, le relever pour mettre en **MARCHE (ON)**.

POUR D'ARRÊT LA PONCEUSE À BANDE/DISQUE :

- Abaisser le commutateur en position « **OFF** » (**ARRÊT**).

AVERTISSEMENT :

Lorsque l'outil n'est pas en usage, TOUJOURS retirer la clé et la ranger en lieu sûr. En cas de panne secteur, mettre le commutateur en position « **OFF** » (**ARRÊT**) et retirer la clé. Ceci empêchera un démarrage accidentel lorsque le courant est rétabli.

AVERTISSEMENT :

TOUJOURS s'assurer que la pièce n'est pas en contact avec la bande avant de mettre le commutateur de l'outil en position de marche. Ne pas prendre cette précaution peut causer le rebond de la pièce en direction de l'opérateur et d'entraîner des blessures graves.

AVERTISSEMENT :

Pour éviter un démarrage accidentel, TOUJOURS s'assurer que le commutateur est en position « **OFF** » (**ARRÊT**) avant de brancher l'outil.

VERROUILLAGE DE L'INTERRUPTEUR

Voir la figure 12, page 16.

- Mettez l'interrupteur à la position « **OFF** » (**ARRÊT**).
- Attendez que la ponceuse à bande/disque s'arrête complètement.
- Retirez la clé de l'interrupteur. Rangez la clé dans un endroit sûr.

PONÇAGE D'UNE PIÈCE EN BISEAU

Voir la figure 13 et 14, page 16.

Il est possible d'incliner la table de travail entre 0° et 45° pour le ponçage d'une pièce en biseau. Pour les angles 30° et au-dessus, disposer la ponceuse au bord du établi de travail et la ponceuse de mont selon calculé à sa figure 9 et 10.

Pour l'inclinaison de la table de travail:

- Desserrez le bouton de blocage de la table (rotation dans le sens antihoraire).
- Positionnez la table de travail à l'angle désiré.
- Serrez bien le bouton de blocage de la table (rotation dans le sens horaire).

PONÇAGE D'UNE SURFACE D'EXTRÉMITÉ AVEC LE GUIDE À ONGLET

Voir la figure 15, page 16.

Un guide à onglet est fourni avec l'outil, pour un travail précis. On recommande l'emploi du guide à onglet pour le ponçage d'une petite surface d'extrémité à l'aide du disque de ponçage.

NOTE : On doit toujours déplacer la pièce à poncer en travers du disque de ponçage, du côté gauche vers le côté centre.

PONÇAGE SUR LA BANDE DE PONÇAGE HORIZONTAL/VERTICAL

Voir la figure 16, page 17.

On peut placer la bande de ponçage verticalement ou horizontalement pour les opérations de ponçage. Selon la configuration de la pièce à poncer, utiliser le plaque de support pour les opérations de sanding horizontales et utiliser la table de travail pour les opérations de ponçage verticales.

- À l'aide de la clé hexagonal, desserrer le boulon de positionnement en tournant le boulon dans le sens antihoraire.
- Positionnez la bande de ponçage verticalement.
- Resserrez le boulon de positionnement pour bloquer la bande de ponçage.

NOTE : Pour le ponçage d'une pièce longue alors que la bande de ponçage est placée verticalement, déplacez la pièce à poncer uniformément sur toute la largeur de la bande de ponçage.

UTILISATION



AVERTISSEMENT :

TOUJOURS utiliser le plaque de support pour ponçage horizontal et utiliser la table de travail pour sanding vertical. Utiliser la ponceuse sans utiliser aussi le plaque de travail ou la table de travail peut exposer l'opérateur pour pincer des points et pourrait avoir pour résultat la blessure personnelle sérieuse.

PONÇAGE D'UNE SURFACE SUR LA BANDE DE PONÇAGE

Voir la figure 17, page 17.

- Tenez fermement la pièce à poncer; veillez à ne pas approcher les doigts de la bande de ponçage.
- Maintenez l'extrémité de la pièce fermement en contact avec la plaque de support, et déplacez la pièce pour utiliser uniformément toute la largeur de la bande de ponçage.

NOTE : On doit travailler très prudemment pour le ponçage d'une pièce mince. Pour le ponçage d'une pièce très longue, déplacer le pièce de déclenchement à travers la ceinture pendant que appliquez juste la pression nécessaire pour que la bande de ponçage puisse poncer le matériau.

PONÇAGE D'UNE PIÈCE CINTRÉE

Voir les figures 18 et 19, page 17.



AVERTISSEMENT :

Ne tentez jamais de poncer les surfaces d'extrémité d'une pièce au niveau du tambour libre; ceci pourrait provoquer une projection brutale de la pièce. Le non-respect de cette mise en garde peut entraîner des blessures graves.

Ponçage d'une surface concave sur la bande de ponçage :

On doit toujours utiliser l'outil au niveau du tambour libre pour le ponçage d'une surface concave.

- Tenez fermement la pièce à poncer; veillez à ne pas approcher les doigts de la surface de ponçage.
- Maintenez la pièce fermement en contact contre le tambour, et déplacez la pièce pour utiliser toute la largeur de la bande de ponçage.

NOTE : On doit travailler très prudemment pour le ponçage d'une pièce mince. Appliquez juste la pression nécessaire pour que la bande de ponçage puisse poncer le matériau.

Ponçage d'une surface convexe sur le disque de ponçage :

On doit toujours utiliser le disque de ponçage pour le ponçage d'une surface convexe; on doit déplacer la pièce poncée du côté gauche vers le centre du disque.

- Tenez fermement la pièce à poncer; veillez à ne pas approcher les doigts de la surface de ponçage.
- Exercez une ferme pression de la pièce contre le disque de ponçage; déplacez la pièce dans la partie gauche pour utiliser uniformément toute la surface du disque de ponçage.

NOTE : On doit toujours déplacer la pièce à poncer en travers du disque de ponçage, du côté gauche vers le côté centre.

RÉGLAGES



AVERTISSEMENT :

Avant d'effectuer tout réglage, assurez-vous que la ponceuse à bande/disque est débranchée et que l'interrupteur est en position « **OFF** » (**ARRÊT**). Le non-respect de cette règle peut occasionner de graves blessures.

CENTRAGE DE LA BANDE DE PONÇAGE

Voir la figure 20, page 18.

- Branchez l'outil.

Vérification du centrage de la bande de ponçage :

- Poussez l'interrupteur à la position **MARCHE** puis immédiatement à la position **ARRÊT**. Si la bande de ponçage a tendance à se déplacer pour se séparer du tambour moteur ou du tambour libre, elle n'est pas centrée.

Réglage du centrage de la bande de ponçage :

- Si la bande de ponçage a tendance à se déplacer vers le disque, faites tourner le bouton de centrage dans le haut, de 1/4 tour.

- Si la bande de ponçage a tendance à se déplacer en s'écartant du disque, faites tourner le bouton de centrage dans le bas, de 1/4 tour.
- Poussez l'interrupteur à la position **MARCHE** puis immédiatement à la position **ARRÊT**. Observez tout mouvement de la bande de ponçage. Affinez le réglage du centrage selon le besoin.

ÉQUERRAGE ENTRE LA TABLE DE TRAVAIL ET LE DISQUE DE PONÇAGE

Voir la figure 21, page 18.

- Débrancher l'outil.
- À l'aide d'une équerre à combinaisons, vérifiez l'angle entre la table de travail et le disque de ponçage.
- Si l'angle n'est pas exactement 90°, desserrez le bouton de blocage de la table et inclinez la table.
- Ajustez l'équerrage entre la table de travail et le disque de ponçage, et resserrez le bouton de blocage.

ENTRETIEN

AVERTISSEMENT :

Utiliser exclusivement des pièces d'origine pour les réparations. L'usage de toute autre pièce pourrait créer une situation dangereuse ou endommager l'outil.

AVERTISSEMENT :

Toujours porter une protection oculaire certifiée conforme à la norme ANSI Z87.1 lors de l'utilisation de produit. Si une opération dégage de la poussière, porter également un masque anti-poussière.

AVERTISSEMENT :

Avant d'effectuer tout entretien, assurez-vous que l'outil est débranché et que le commutateur est en position arrêt (O). Le non-respect de cette règle peut occasionner de graves blessures.

ENTRETIEN GÉNÉRAL

Éviter d'utiliser des solvants pour le nettoyage des pièces en plastique. La plupart des matières plastiques peuvent être endommagées par divers types de solvants du commerce. Utiliser un chiffon propre pour éliminer la saleté, la poussière, l'huile, la graisse, etc.

AVERTISSEMENT :

Ne jamais laisser de liquides tels que le fluide de freins, l'essence, les produits à base de pétrole, les huiles pénétrantes, etc., entrer en contact avec les pièces en plastique. Les produits chimiques peuvent endommager, affaiblir ou détruire le plastique, ce qui peut entraîner des blessures graves.

LUBRIFICATION

Tous les roulements de cet outil sont enduits d'une quantité suffisante de lubrifiant de haute qualité pour la durée de vie de l'outil, dans des conditions d'utilisation normales. Aucune autre lubrification n'est donc nécessaire.

CHANGEMENT DE LA COURROIE DE TRANSMISSION

Voir la figure 22, page 18.

- Débrancher l'outil.
- À l'aide d'un tournevis Phillips, enlevez le vis au centre du carter de courroie.
- Enlevez le carter.
- Desserrer les trois vis de tension dans le boîtier de poulie appuient alors le boîtier pour desserrer la tension de courroie,
- Enlevez la vieille courroie.
- Placez la courroie neuve d'abord sur la poulie du tambour moteur puis sur la poulie du moteur.
- Serrez les deux brins de la courroie entre les doigts pour évaluer la tension.
- Relever le boîtier de poulie pour augmenter la tension de la courroie; lors du test de la tension, vous devez observer un fléchissement d'environ 6 mm (1/4 po).
- Serrez bien le vis de tension.
- Réinstallez le carter de courroie et utilisez un tournevis Phillips pour réinstaller le vis. Serrez-les bien.

NOTE : FIGURES (ILLUSTRATIONS) COMMENÇANT SUR 13 DE PAGE APRÈS LES SECTIONS FRANÇAIS ET ESPAGNOL.

ÍNDICE DE CONTENIDO

■ Introducción.....	2
■ Garantía.....	2
■ Reglas de seguridad generales.....	3-4
■ Reglas de seguridad específicas.....	4
■ Símbolos.....	5
■ Aspectos eléctricos.....	6
■ Características.....	7
■ Armado.....	8-9
■ Funcionamiento.....	9-11
■ Ajustes.....	11
■ Mantenimiento.....	12
■ Figura numeras (ilustraciones).....	13-18
■ Información sobre servicio al consumidor.....	Pág. posterior

INTRODUCCIÓN

Esta herramienta ofrece numerosas características para hacer más agradable y placentero su uso. En el diseño de este producto se ha conferido prioridad a la seguridad, el desempeño y la fiabilidad, por lo cual se facilita su manejo y mantenimiento.

GARANTÍA

RYOBI® HERRAMIENTA ELÉCTRICA - GARANTÍA LIMITADA DE DOS AÑOS Y REGULACIONES PARA EL INTERCAMBIO A LOS 30 DÍAS

One World Technologies, Inc., garantiza sus herramientas eléctricas Ryobi® con las siguientes condiciones:

30-DAY EXCHANGE POLICY: Durante los primeros treinta días después de la fecha de compra, puede solicitar servicio técnico al amparo de esta garantía o intercambiar cualquier herramienta eléctrica Ryobi® que no funcione adecuadamente debido a defectos en los materiales o en la mano de obra, devolviéndola al establecimiento donde la compró. Para recibir la herramienta eléctrica de reemplazo, o para solicitar servicio al amparo de la garantía, debe presentar documentación de prueba de la compra, y devolver todas las piezas originales empaquetadas con el producto original. La herramienta eléctrica de reemplazo quedará cubierta por la garantía limitada durante el resto del período de dos años a partir de la fecha original de compra.

COBERTURA DE ESTA GARANTÍA: Esta garantía cubre todos los defectos en los materiales y en la mano de obra de esta herramienta eléctrica Ryobi® durante un período de dos años a partir de la fecha de compra. Con la excepción de las baterías, los accesorios de la herramienta eléctrica están garantizados durante noventa (90) días. Las baterías están garantizadas durante dos años.

COMO OBTENER SERVICIO TÉCNICO: Simplemente devuelva la herramienta eléctrica, adecuadamente empacada y con los costos de envío previamente pagados a un Centro de Servicio Autorizado. Puede obtener la dirección del centro de servicio más cercano a su localidad, llamando a un agente de servicio en One World Technologies, Inc., P.O. Box 1207, Anderson, SC 29622-1207, al 1-800-525-2579 o visitando www.ryobitools.com. Cuando solicite la realización de servicio al amparo de la garantía, debe presentar la documentación de la prueba de compra, la cual debe incluir la fecha de la misma (por ejemplo, un recibo). De acuerdo a nuestra exclusiva discreción, repararemos toda mano de obra deficiente del producto, y repararemos o reemplazaremos cualquier pieza defectuosa. Lo haremos sin ocasionarle costo alguno al consumidor. Completaremos el trabajo en un período de tiempo razonable, pero en cualquier caso, en menos de noventa (90) días.

LO QUE NO ESTÁ CUBIERTO: Esta garantía es aplicable exclusivamente al comprador original al menudeo y no puede transferirse. Esta garantía sólo cubre defectos que surjan del uso normal de la herramienta y no cubre ningún tipo de mal funcionamiento, falla o defecto producido por el uso indebido, maltrato, negligencia, alteración, modificación o reparación efectuada por terceras personas ajenas a los Centros de Servicio Autorizados. One World Technologies, Inc. no ofrece ninguna garantía, declaración o promesa en relación con la calidad o el desempeño de sus herramientas eléctricas más allá de las señaladas específicamente en esta garantía.

LIMITACIONES ADICIONALES: Todas las garantías implícitas otorgadas bajo la ley estatal, incluyendo las garantías de comercialización o adecuación para un fin específico, están limitadas a dos años a partir de la fecha de compra. One World Technologies, Inc. no se responsabiliza por los daños directos, indirectos o incidentales; es posible, por lo tanto, que las limitaciones y exclusiones anteriores no sean aplicables al usuario. Esta garantía le confiere derechos legales específicos, y es posible que usted goce de otros derechos, los cuales pueden variar de estado a estado.

REGLAS DE SEGURIDAD GENERALES



ADVERTENCIA:

Lea y comprenda todas las instrucciones. El incumplimiento de las instrucciones señaladas abajo puede causar descargas eléctricas, incendios y lesiones serias.

LEA TODAS LAS INSTRUCCIONES TRABAJE AREA

- **FAMILIARÍCESE CON SU HERRAMIENTA ELÉCTRICA.** Lea cuidadosamente el manual del operador. Aprenda los usos, limitaciones y posibles peligros relacionados con esta herramienta.
- **PROTÉJASE CONTRA DESCARGAS ELÉCTRICAS EVITANDO TOCAR CON EL CUERPO SUPERFICIES CONECTADAS A TIERRA.** Por ejemplo: tubos, radiadores, estufas y cajas de refrigeradores.
- **MANTENGA LAS PROTECCIONES EN SU LUGAR** y en buenas condiciones de trabajo.
- **RETIRE TODA LLAVE Y HERRAMIENTA DE AJUSTE.** Adquiera el hábito de verificar que se haya retirado de la herramienta eléctrica toda llave y herramienta de ajuste antes de encenderla.
- **MANTENGA LIMPIA EL ÁREA DE TRABAJO.** Las áreas y mesas de trabajo mal despejadas son causas comunes de accidentes. **NO** deje herramientas o piezas de madera en la herramienta mientras esté funcionando.
- **NO UTILICE LA HERRAMIENTA EN ENTORNOS PELIGROSOS.** No utilice las herramientas eléctricas en lugares húmedos o mojados ni las esponja a la lluvia. Mantenga bien iluminada el área de trabajo.
- **MANTENGA ALEJADOS A LOS NIÑOS Y DEMÁS CIRCUNSTANTES.** Todos los presentes deben llevar puestos anteojos de seguridad y permanecer a una distancia segura del área de trabajo. No permita que ninguno de los presentes toque la herramienta eléctrica o el cordón de extensión mientras esté funcionando la unidad.
- **HAGA SU TALLER A PRUEBA DE NIÑOS** con candados, interruptores maestros y retirando las llaves de arranque.
- **NO FUERCE LA HERRAMIENTA.** Efectúa el trabajo mejor y de manera más segura, si se utiliza a la velocidad para la que está diseñada.
- **USE LA HERRAMIENTA ADECUADA PARA LA TAREA.** No fuerce la herramienta ni ningún accesorio a efectuar tareas para las que no están hechos.
- **USE UN CORDÓN DE EXTENSIÓN ADECUADO.** Asegúrese de que esté en buen estado el cordón de extensión. Al utilizar un cordón de extensión sólo utilice uno del calibre suficiente para soportar la corriente que consume el producto. Un cordón de un grueso insuficiente causa una caída en el voltaje de línea, y produce recalentamiento y pérdida de potencia. Se recomienda que los conductores sean de calibre **16** (A.W.G.) por lo menos, para un cordón de extensión de 50 pies (7,6 metros) de largo o menos. Si tiene dudas, utilice un cordón del calibre más grueso siguiente. Cuanto menor es el número de calibre, mayor es el grueso del cordón.
- **VÍSTASE ADECUADAMENTE.** Evite ponerse ropas holgadas, corbatas ni joyas que puedan engancharse y tirar de usted hacia las piezas en movimiento. Se recomiendan guantes y calzado antiderrapantes al trabajar al aire libre. Si tiene el pelo largo cúbralo de una manera para contenerlo.
- **SIEMPRE PÓNGASE ANTEOJOS DE SEGURIDAD CON PROTECCIÓN LATERAL.** Los anteojos de uso diario tienen lentes resistentes a golpes únicamente; **NO** son anteojos de seguridad.
- **ASEGURE LA PIEZA DE TRABAJO.** Utilice prensas de mano o de banco para sujetar la pieza de trabajo cuando resulte práctico hacerlo; es más seguro que utilizar la mano y quedan ambas manos libres para manejar la herramienta.
- **NO ESTIRE EL CUERPO PARA ALCANZAR MAYOR DISTANCIA.** Mantenga una postura firme y buen equilibrio en todo momento.
- **DÉ MANTENIMIENTO CON CUIDADO A LAS HERRAMIENTAS.** Mantenga afiladas y limpias las herramientas para obtener de las mismas un desempeño mejor y más seguro. Siga las instrucciones correspondientes al cambio y lubricación de accesorios.
- **DESCONECTE LAS HERRAMIENTAS.** Todas las herramientas deben desconectarse del suministro de corriente cuando no estén usándose, o al cambiarles aditamentos, hojas de corte, brocas, fresas, etc.
- **EVITE UN ARRANQUE ACCIDENTAL DE LA UNIDAD.** Asegúrese de que el interruptor esté en la posición de apagado antes de conectar la clavija de cualquier herramienta.
- **USE ACCESORIOS RECOMENDADOS.** Consulte este manual del operador, donde aparecen los accesorios recomendados. El empleo de accesorios inadecuados puede causar lesiones.
- **NO SE PARE NUNCA EN LA HERRAMIENTA.** Pueden producirse lesiones serias si se vuelca la herramienta.
- **INSPECCIONE LAS PIEZAS DAÑADAS.** Antes de seguir utilizando la herramienta, es necesario inspeccionar cuidadosamente toda protección o pieza dañada para determinar si funcionará correctamente y desempeñará la función a la que está destinada. Verifique la alineación de las partes móviles, que no haya atoramiento de partes móviles, que no haya piezas rotas, el montaje de las piezas y cualquier otra condición que pudiera afectar su funcionamiento. Toda protección o pieza que esté dañada debe repararse apropiadamente o reemplazarse en un centro de servicio autorizado.
- **AVANCE LA PIEZA DE TRABAJO EN LA DIRECCIÓN CORRECTA.** Solamente empuje la pieza de trabajo hacia la hoja, fresa o tambor de lijado, contra el sentido de rotación de éstos.
- **NUNCA DEJE FUNCIONANDO DESATENDIDA LA HERRAMIENTA. APAGUE LA CORRIENTE.** No abandone la herramienta hasta verla completamente detenida.
- **PROTÉJASE LOS PULMONES.** Use una careta o mascarilla contra el polvo si la operación de corte genera mucho polvo.
- **PROTÉJASE EL OÍDO.** Durante períodos prolongados de utilización de la unidad póngase protección para los oídos.
- **NO MALTRATE EL CORDÓN ELÉCTRICO.** Nunca porte la herramienta sujetándola por el cordón eléctrico, ni tire del mismo para desconectarla de la toma de corriente. Mantenga el cordón eléctrico alejado del calor, del aceite y de los bordes afilados.
- **UTILICE CORDONES DE EXTENSIÓN PARA USO EN EL EXTERIOR.** Al utilizar la herramienta en el exterior, sólo utilice cordones de extensión con conexión a tierra aprobada apropiados para uso al aire libre y marcados para tal tipo de uso.
- **MANTENGA LAS HOJAS DE CORTE LIMPIAS Y AFILADAS.** Las hojas de corte afiladas reducen al mínimo los paros y los contragolpes.
- **NUNCA UTILICE EN UNA ATMOSFERA EXPLOSIVA.** Chispear normal del motor podría encender vapores.
- **INSPECCIONE PERIÓDICAMENTE LOS CORDONES ELÉCTRICOS DE LAS HERRAMIENTAS.** Si están dañados, lívelos a un establecimiento de servicio autorizado para que

REGLAS DE SEGURIDAD GENERALES

los revise un técnico de servicio calificado. El conductor con aislamiento que tiene una superficie exterior verde con o sin tiras amarillas es el conductor de conexión a tierra del equipo. Si es necesaria la reparación o reemplazo del cordón eléctrico o de la clavija, no conecte el conductor de conexión a tierra a una terminal portadora de corriente. Repare o reemplace de inmediato todo cordón dañado o gastado. Siempre esté consciente de la ubicación del cordón y manténgalo bien alejado de la hoja en movimiento de giro.

- **INSPECCIONE PERIÓDICAMENTE LOS CORDONES DE EXTENSIÓN** y reemplácelos si están dañados.
- **MANTENGA LA HERRAMIENTA SECA, LIMPIA Y LIBRE DE ACEITE Y GRASA.** Siempre utilice un paño limpio para la limpieza de la unidad. Nunca utilice fluidos para frenos, gasolina, productos a base de petróleo ni solventes para limpiar la herramienta.
- **PERMANEZCA ALERTA Y EN CONTROL.** Preste atención a lo que esté haciendo y aplique el sentido común. No utilice la herramienta cuando esté cansado. No se apresure.
- **NO UTILICE LA HERRAMIENTA SI EL INTERRUPTOR NO ENCIENDE O NO APAGA.** Lleve todo interruptor defectuoso a un centro de servicio autorizado para que lo reparen.




- **INSPECCIONE LA MADERA Y ELIMINE TODOS LOS CLAVOS PRESENTES EN LA MISMA ANTES DE USAR ESTA HERRAMIENTA.** Con el cumplimiento de esta regla se reduce el riesgo de lesiones serias.
- **NUNCA ARRANQUE LA HERRAMIENTA CUANDO LA PIEZA GIRATORIA CORRESPONDIENTE ESTÉ TOCANDO LA PIEZA DE TRABAJO.**
- **NO UTILICE NINGUNA HERRAMIENTA SI SE ENCUENTRA BAJO LOS EFECTOS DE DROGAS, ALCOHOL O MEDICAMENTOS.**
- **AL DAR SERVICIO** a la unidad, sólo utilice piezas de repuesto idénticas. El empleo de piezas diferentes puede causar un peligro o dañar el producto.
- **SOLAMENTE UTILICE ACCESORIOS** señalados en este manual o en los apéndices. El uso de accesorios no señalados en este manual puede presentar riesgos de lesiones corporales. Con los accesorios se incluyen instrucciones para el uso seguro de los mismos.
- **REVISE DOS VECES TODA CONFIGURACIÓN DE LA HERRAMIENTA.** Asegúrese de que el tambor o el conjunto de la banda de lijado esté apretado y de que no toque la lijadora o la pieza de trabajo antes de conectar la unidad al suministro de corriente.

REGLAS DE SEGURIDAD ESPECIFICAS






- **SUJETE FIRMEMENTE CON PRENSAS DE MANO O PERNOS** la herramienta en una mesa o banco de trabajo aproximadamente a la altura de la cadera.
- **NUNCA** se pare ni tenga ninguna parte del cuerpo en línea con la trayectoria de la pieza de trabajo.
- **PLANIFIQUE EL TRABAJO CON EL FIN DE DISMINUIR EL RIESGO DE CAUSAR CONTRAGOLPES** (cuando la pieza de trabajo se pega al tambor de lijado y éste se la arrebata de las manos).
- **ASEGÚRESE DE QUE NO HAYA DESECHOS** entre la pieza de trabajo y los soportes de la misma.
- **AL LIJAR UNA PIEZA DE FORMA IRREGULAR**, planifique el soporte de la misma de manera que se le resbale y la máquina se la arrebate de las manos.
- **TENGA PRECAUCIÓN EXTREMA AL** trabajar con piezas largas, muy pequeñas o de forma inusual.
- **NUNCA UTILICE ESTA HERRAMIENTA** para acabar piezas demasiado pequeñas como para poder sujetarlas con las manos.
- **USE SOPORTES EXTRA (MESAS, BURROS, BLOQUES, ETC.)** al trabajar con piezas lo suficientemente largas como para inclinarse si no está asegurada en la superficie de trabajo.
- **NUNCA** lije más de una pieza a la vez. **NO APILE** más de una pieza de trabajo sobre la mesa de la lijadora a la vez.
- **SIEMPRE AVANCE LA PIEZA DE TRABAJO DE IZQUIERDA A DERECHA**, contra la dirección en que está girando el tubo de lija.
- **NO UTILICE TAMBORES**, ni tubos o bandas de lija que muestren señales de desgaste como ranuras, desgarres o rasgones.
- **¡SIEMPRE PERMANEZCA ALERTA!** No permita que su familiaridad con la máquina (proveniente del uso frecuente de la lijadora) sea causa de un error de descuido. **SIEMPRE TENGA PRESENTE** que un descuido de un instante es suficiente para causar una lesión grave.
- **ASEGÚRESE DE QUE EL ÁREA DE TRABAJO CUENTE CON SUFICIENTE ILUMINACIÓN** para ver la pieza de trabajo y de que ninguna obstrucción interfiera en la seguridad de la operación **ANTES** de efectuar cualquier trabajo en la herramienta.
- **SIEMPRE APAGUE LA LIJADORA** antes de desconectarla para evitar un arranque accidental de la misma al volver a conectarla al suministro de corriente. **NUNCA** deje desatendida la herramienta mientras esté conectada a un suministro de corriente.
- **APOYE LA PIEZA DE TRABAJO** en una guía de ingletes, apoyo o mesa de trabajo.
- **MANTENGA UN ESPACIO DE 1.5 mm (1/16 pulg)** entre la mesa de trabajo y la banda o tubo de lija.
- **EVITE TODO CONTRAGOLPE** lijando según indican las flechas direccionales.
- **SI ESTÁ DAÑADO EL CORDÓN DE CORRIENTE**, debe ser reemplazado únicamente por el fabricante o en un centro de servicio autorizado para evitar riesgos.
- **ESTA HERRAMIENTA** tendrá los siguientes avisos:
 - a) Póngase protección ocular.
 - b) Apoye la pieza de trabajo en una guía de ingletes, la mampara (soporte de la pieza de trabajo) o mesa de trabajo.
 - c) Mantenga un espacio de 1.5 mm (1/16 pulg.) entre la mesa de trabajo y la banda o disco de lija.
 - d) No efectúe a pulso ninguna operación.
 - e) Evite todo contragolpe lijando según indican las flechas direccionales.
- **GUARDE ESTAS INSTRUCCIONES.** Consúltelas con frecuencia y empléelas para instruir a otras personas que puedan utilizar esta herramienta. Si presta a alguien esta herramienta, facilítete también las instrucciones.

SÍMBOLOS

Las siguientes palabras de señalización y sus significados tienen el objeto de explicar los niveles de riesgo relacionados con este producto.

SÍMBOLO	SEÑAL	SIGNIFICADO
	PELIGRO:	Indica una situación peligrosa inminente, la cual, si no se evita, causará la muerte o lesiones serias.
	ADVERTENCIA:	Indica una situación peligrosa posible, la cual, si no se evita, podría causar la muerte o lesiones serias.
	PRECAUCIÓN:	Indica una situación potencialmente peligrosa la cual, si no se evita, puede causar lesiones leves o moderadas.
	AVISO:	(Sin el símbolo de alerta de seguridad) Indica una situación que puede producir daños materiales.

Es posible que se empleen en este producto algunos de los siguientes símbolos. Le suplicamos estudiarlos y aprender su significado. Una correcta interpretación de estos símbolos le permitirá utilizar mejor y de manera más segura el producto.

SÍMBOLO	NOMBRE	DENOMINACIÓN/EXPLICACIÓN
	Alerta de seguridad	Indica un peligro posible de lesiones personales.
	Lea el manual del operador	Para reducir el riesgo de lesiones, el usuario debe leer y comprender el manual del operador antes de usar este producto.
	Protección ocular	Siempre lleve las gafas de la seguridad o gafas de seguridad con protectores de lado y, como sea necesario, un protector repleto de la cara al operar este producto.
	Alerta de condiciones húmedas	No exponga la unidad a la lluvia ni la use en lugares húmedos.
	Símbolo de no acercar las manos	Si no mantiene las manos alejadas de la hoja de corte, se causará serias lesiones corporales.
V	Volts	Voltaje
A	Amperes	Corriente
Hz	Hertz	Frecuencia (ciclos por segundo)
min	Minutos	Tiempo
~	Corriente alterna	Tipo de corriente
n ₀	Velocidad en vacío	Velocidad de rotación, en vacío
.../min	Por minuto	Revoluciones, carreras, velocidad superficial, órbitas, etc., por minuto

CALIFORNIA - PROPUESTA DE LEY NÚM. 65

ADVERTENCIA:

Este producto y algunos polvos generados al efectuarse operaciones de lijado, aserrado, esmerilado, taladrado y otras actividades de la construcción, contienen sustancias químicas reconocidas por el estado de California como causantes de cáncer, defectos congénitos y otras afecciones del aparato reproductor. **Lávese las manos después de utilizar el aparato.**

Algunos ejemplos de estas sustancias químicas son:

- plomo de las pinturas a base de plomo,
- silicio cristalino de los ladrillos, del cemento y de otros productos de albañilería, y
- arsénico y cromo de la madera químicamente tratada.

El riesgo de la exposición a estos compuestos varía, según la frecuencia con que se realice este tipo de trabajo. Para reducir la exposición personal, trabaje en áreas bien ventiladas, y con equipo de seguridad aprobado, tal como las caretas para el polvo especialmente diseñadas para filtrar partículas microscópicas.

ASPECTOS ELÉCTRICOS

CORDONES DE EXTENSIÓN

Sólo utilice cordones de extensión de 3 conductores con clavijas de tres patillas y receptáculos de tres polos que acepten la clavija del cordón de la herramienta. Al utilizar una herramienta eléctrica a una distancia considerable del suministro de corriente, asegúrese de utilizar un cordón de extensión del grueso suficiente para soportar el consumo de corriente de la herramienta. Un cordón de extensión de un grueso insuficiente causa una caída en el voltaje de línea, además de producir una pérdida de potencia y un recalentamiento del motor. Básese en la tabla suministrada abajo para determinar el calibre mínimo requerido de los conductores del cordón de extensión. Solamente deben utilizarse cordones con forro redondo registrados en Underwriter's Laboratories (UL).

**Amperaje (aparece en la placa frontal)

Longitud del cordón:	Calibre conductores (A.W.G.)					
	0-2.0	2.1-3.4	3.5-5.0	5.1-7.0	7.1-12.0	12.1-16.0
25'	16	16	16	16	14	14
50'	16	16	16	14	14	12
100'	16	16	14	12	10	—

**Se usa en los circuitos de calibre 12, 20 amp.

NOTA: AWG = Calibre conductores norma americana

Al trabajar a la intemperie con la herramienta, utilice un cordón de extensión fabricado para uso en el exterior. Tal característica está indicada con las letras "W-A" o "W" en el forro del cordón.

Antes de utilizar un cordón de extensión, inspecciónelo para ver si tiene conductores flojos o expuestos y aislamiento cortado o gastado.



ADVERTENCIA:

Mantenga el cordón de extensión fuera del área de trabajo. Al trabajar con una herramienta eléctrica, coloque el cordón de tal manera que no pueda enredarse en la madera, herramientas ni en otras obstrucciones. La inobservancia de esta advertencia puede causar lesiones serias.



ADVERTENCIA:

Inspeccione los cordones de extensión cada vez antes de usarlos. Si están dañados reemplácelos de inmediato. Nunca utilice la herramienta con un cordón dañado, ya que si toca la parte dañada puede producirse una descarga eléctrica, y las consecuentes lesiones serias.

CONEXIÓN ELÉCTRICA

Esta herramienta está impulsada por un motor eléctrico fabricado con precisión. Debe conectarse únicamente a una línea de voltaje de 120 voltios, de corriente alterna solamente (corriente normal para uso doméstico), 60 Hz. No utilice esta herramienta con corriente continua (c.c.). Una caída considerable de voltaje causa la pérdida de potencia y el recalentamiento del motor. Si la sierra no funciona al conectarla en una toma de corriente, vuelva a revisar el suministro de corriente.

VELOCIDAD Y CABLEADO

La velocidad de la banda de esta herramienta es de 1,900 SFM. La velocidad no es constante y disminuye durante el corte o con un voltaje bajo. En cuanto al voltaje, el cableado de un taller es tan importante como la potencia nominal del motor. Una línea destinada sólo para luces no puede alimentar el motor de una herramienta eléctrica. El cable con el calibre suficiente para una distancia corta será demasiado delgado para una mayor distancia. Una línea que alimenta una herramienta eléctrica quizá no sea suficiente para alimentar dos o tres herramientas.

INSTRUCCIONES DE CONEXIÓN A TIERRA

Vea Figura 1, página 14.

En caso de un mal funcionamiento o desperfecto, la conexión a tierra brinda a la corriente eléctrica una trayectoria de mínima resistencia para disminuir el riesgo de una descarga eléctrica. Esta herramienta está equipada de un cordón eléctrico con un conductor y una clavija de conexión a tierra para equipo. La clavija debe conectarse en una toma de corriente igual que esté instalada y conectada a tierra correctamente, de conformidad con los códigos y reglamentos de la localidad.

No modifique la clavija suministrada. Si no entra en la toma de corriente, llame a un electricista calificado para que instale una toma de corriente adecuada. Si se conecta de forma incorrecta el conductor de conexión a tierra del equipo puede presentarse un riesgo de descarga eléctrica. El conductor con aislamiento que tiene una superficie exterior verde con o sin tiras amarillas es el conductor de conexión a tierra del equipo. Si es necesaria la reparación o reemplazo del cordón eléctrico o de la clavija, no conecte el conductor de conexión a tierra a una terminal portadora de corriente.

Consulte a un electricista calificado o técnico de servicio si no ha comprendido completamente las instrucciones de conexión a tierra o si no está seguro si la herramienta está bien conectada a tierra.

Repare o reemplace de inmediato todo cordón dañado o gastado.

Esta herramienta debe utilizarse conectada a un circuito con una toma de corriente como la mostrada en la figura 1. También dispone de una patilla de conexión a tierra como la mostrada.

CARACTERÍSTICAS

ESPECIFICACIONES DEL PRODUCTO

Tamaño de la Banda..... 101,6 mm x 914,4 mm
(4 pulg x 36 pulg.)
Velocidad de la Banda..... 1 900 SFM
Inclinación de la Banda 0° - 90°
Tamaño del Disco..... 152,4 mm (6 pulg.)
Velocidad del Disco..... 3 600/min (RPM)

Tamaño de la Mesa 225,4 mm x 158,75 mm
(8-7/8 pulg. x 6-1/4 pulg.)
Inclinación de la Mesa..... 0° - 45°
Potencia Nominal 120 V~, sólo corr. alt., 60 Hz, 4,3 A
Motor 1/2 HP

CONOZCA SU LIJADORA DE BANDA Y DISCO

Vea la figura 2, página 14.

El uso seguro que este producto requiere la comprensión de la información impresa en la herramienta y en el manual del operador así como ciertos conocimientos sobre el proyecto a realizar. Antes de usar este producto, familiarícese con todas las características de funcionamiento y normas de seguridad.

PALANCA TENSORA DE LA BANDA

La palanca tensora de la banda afloja la tirantez de la banda para facilitar la instalación de una banda de repuesto.

ESCALA DE BISEL

La mesa de trabajo viene equipada con una escala de bisel que indica los grados que la mesa puede inclinarse hasta 45°.

GUÍA DE INGLETES

Esta guía de ingletes sirve para alinear la madera para topes a 90° y a 45°.

PERNO DE POSICIONAMIENTO

Afloje el perno de posicionamiento para cambiar posiciones la banda de lijar de vertical a horizontal.

BANDA DE LIJAR

La banda de lijar puede ser colocada en posición vertical u horizontal proporcionando así diferentes posiciones para lijado de piezas de trabajo de diversas formas y tamaños.

DISCO DE LIJAR

Este disco de lijar redondo se encuentra en el costado de la lijadora de banda y disco.

INTERRUPTOR Y LLAVE DEL INTERRUPTOR

Su lijadora de banda y disco, tiene un interruptor de encendido y apagado de fácil acceso.

PERILLA DE CENTRADO

Esta perilla se usa para centrar la banda de lijar.

SOPORTE DE LA PIEZA DE TRABAJO (MAMPARA)

Ayuda a sujetar la pieza de trabajo en la banda de lijar.

MESA DE TRABAJO

La lijadora está equipada con una mesa de trabajo resistente que proporciona una superficie estable cuando se usa ya sea el disco de lijar o la banda de lijar.

ARMADO

LISTA DE PIEZAS SUELTAS

Vea la figura 3, página 15.

Los siguientes accesorios vienen incluidos con sierra:

Núm.

ref.	Descripción	Cant.
A	Mesa de trabajo.....	1
B	Guía de ingletes.....	1
C	Disco de lijar.....	1
D	Tornillos de cabeza hueca.....	2
E	Protector del disco.....	1
F	Tornillos phillips.....	2
G	Soporte de la pieza de trabajo.....	1
H	Llave hexagonal.....	1
I	Arandelas.....	2
J	Arandela.....	1
K	Perilla de bloqueo de la mesa.....	1
	Manual del operador (no se ilustra).....	1

DESEMPAQUETADO

Este producto requiere armarse.

- Levante cuidadosamente de la caja la lijadora y colóquela sobre una superficie de trabajo a nivel.

ADVERTENCIA:

No utilice este producto si alguna pieza incluida en la lista de piezas sueltas ya está ensamblada al producto cuando lo desempaqueta. El fabricante no ensambla las piezas de esta lista en el producto. Éstas deben ser instaladas por el usuario. El uso de un producto que puede haber sido ensamblado de forma inadecuada podría causar lesiones personales graves.

- Inspeccione cuidadosamente la herramienta para asegurarse de que no haya sufrido ninguna rotura o daño durante el transporte.
- No deseche el material de empaquetado sin haber inspeccionado cuidadosamente este producto y haberla utilizado satisfactoriamente.
- La lijadora viene ajustada desde la fábrica para realizar lijado exactos. Después de armarla verifique la exactitud de la misma. Si en el envío resultaron afectados los ajustes, llegar al centro de servicio autorizado.
- Si hay piezas dañadas o faltantes, le suplicamos llamar al 1-800-525-2579, donde le brindaremos asistencia.

ADVERTENCIA:

Si hay piezas dañadas o faltantes, no utilice esta producto sin haber reemplazado todas las piezas. Usar este producto con partes dañadas o faltantes puede causar lesiones serias al operador.

ADVERTENCIA:

No intente modificar esta producto ni hacer accesorios no recomendados para la misma. Cualquier alteración o modificación constituye maltrato el cual puede causar una condición peligrosa, y como consecuencia posibles lesiones corporales serias.

ADVERTENCIA:

No conecte la unidad al suministro de corriente antes de terminar de armarla. De lo contrario la unidad puede ponerse en marcha accidentalmente, con el consiguiente riesgo de lesiones serias.

INSTALACION DEL DISCO DE LIJAR Y DEL PROTECTOR DEL DISCO

Vea la figura 4, página 15.

- Retire el forro del disco de lijar.
- Alinee el perímetro del disco de lijar con la placa y oprima firmemente hacia su lugar.
- Coloque el protector del disco contra un tercio en la parte inferior del disco, alineando los agujeros.
- Asegure firmemente el protector del disco en su lugar usando los dos tornillos de cabeza phillips.

INSTALACION/REEMPLAZO DE LA BANDA DE LIJAR

Vea la figura 5, página 15.

Hay unas flechas direccionales en el lado suave de la banda de lijar. La banda de lijar debe funcionar en la dirección mostrada por las flechas.

- Usando la llave hexagonal suministrada, afloja el perno de posicionamiento girando el cerrojo a la izquierda.
- Coloque la banda de lijar en posición vertical.
- Bloquee la banda en su lugar apretando el perno de posicionamiento.
- Tire de la palanca tensora hacia usted para aflojar la tirantez de la banda.
- Coloque la banda de lijar sobre el tambor motriz y el tambor de guía con las flechas dirigidas hacia la izquierda. Verifique que la banda de lijar quede centrada en ambos tambores.
- Empuje la palanca tensora de vuelta a su lugar para dejar tirante la banda.

NOTA: La palanca tensora es a resorte por lo tanto use extremo cuidado cuando empuje la palanca de vuelta a su posición a fin de evitar una lesión personal.

ARMADO

MONTAJE DE LA MESA DE TRABAJO PARA USO CON LA LIJADORA DE DISCO

Vea la figura 6, página 16.

- Inserte el índice afilerador en el agujero en el alojamiento de la herramienta.
- Coloque una arandela sobre el perno de bloqueo de la mesa entonces apriete el perno de bloqueo de la mesa firmemente.

MONTAJE DE LA MESA DE TRABAJO PARA USO CON LA LIJADORA DE BANDA

Vea la figura 7, página 16.

- Inserte el índice afilerador en el agujero en el brazo de la banda de lijado.
- Coloque una arandela sobre el perno de bloqueo de la mesa entonces apriete el perno de bloqueo de la mesa firmemente.

MONTAJE DEL SOPORTE DE LA PIEZA DE TRABAJO

Vea la figura 8, página 16.

- Coloque el soporte de la pieza de trabajo en el costado del brazo de la banda de lijado.
- Usando una llave hexagonal, asegure en su lugar con las arandelas y pernos hexagonales.

MONTAJE DE LA LIJADORA DE BANDA Y DISCO EN UN BANCO DE TRABAJO

Vea la figura 9, página 16.

Si la lijadora va a ser usada en un lugar permanente, asegúrela en un lugar fijo tal como un banco de trabajo u otra superficie estable. Cuando instale la lijadora en el banco de trabajo, se deben taladrar agujeros a través de la superficie de soporte del banco de trabajo.

- Marque agujeros en el banco de trabajo donde la lijadora va a ser instalada utilizando los agujeros de la base de la lijadora como plantilla para la configuración de los agujeros.
- Taladre agujeros a través del banco de trabajo.
- Coloque la lijadora en el banco de trabajo alineando los agujeros de la base con los agujeros taladrados en el banco de trabajo.
- Inserte los pernos (no incluidos) y apriételos firmemente con las arandelas de seguridad y las tuercas hexagonales (no incluidas).

SUJECION DE LA LIJADORA DE BANDA Y DISCO EN EL BANCO DE TRABAJO

Vea la figura 10, página 16.

Si la lijadora va a ser usada como una herramienta portátil, recomendamos que la instale permanentemente en una tabla de montaje que pueda ser fácilmente sujeta con mordazas en C en un banco de trabajo o en otra superficie de soporte. La tabla de montaje debe ser de tamaño suficiente para evitar que la lijadora se vuelque cuando se esté usando. Se recomienda cualquier madera contrachapada de buena calidad o cartón gris de 19 mm (3/4 pulg.) de espesor.

- Marque agujeros en la tabla donde la lijadora va a ser instalada utilizando como plantilla los agujeros de la base de la lijadora para la configuración de los agujeros.
- Siga los últimos tres pasos de la sección: *Montaje de la Lijadora de Banda y Disco en un Banco de Trabajo*.

Si se usan tirafondos, asegúrese de que los pernos de montaje sean lo suficientemente largos para pasar a través de los agujeros en la base de la lijadora y en el material en el cual está siendo montada. Si se usan pernos de máquina, asegúrese de que los pernos sean lo suficientemente largos para pasar a través de los agujeros en la base de la lijadora, del material en el cual está siendo montada, de las arandelas de seguridad y de las tuercas hexagonales.

FUNCIONAMIENTO

ADVERTENCIA:

No permita que su familiarización con las herramientas lo vuelva descuidado. Tenga presente que un descuido de un instante es suficiente para causar una lesión seria.

ADVERTENCIA:

Siempre póngase protección ocular con la marca de cumplimiento de la norma ANSI Z87.1. Si no cumple esta advertencia, los objetos que salen despedidos pueden producirle lesiones serias en los ojos.

ADVERTENCIA:

No utilice ningún aditamento o accesorio no recomendado por el fabricante de esta herramienta. El empleo de aditamentos o accesorios no recomendados podría causar lesiones serias.

USOS

Este producto ha sido diseñado sólo para los fines enumerados abajo:

- Lijado y terminar plástico, la madera, y las materias de la composición de maderal
- Lijado en bisel
- Lijado horizontal y vertical
- Lijado curvo los pedazos

FUNCIONAMIENTO

ADVERTENCIA:

Si coloca la pieza de trabajo en el lado derecho del disco de lijar puede causar retroceso de la pieza de trabajo y/o la pérdida de control. El incumplimiento de esta advertencia puede causar una lesión personal grave.

ADVERTENCIA:

No alcance a través del disco de sanding para prender la lijadora de banda y disco **“ON” (ENCENDIDO)** o **“OFF” (APAGADO)**. Contacte con el disco de lijar puede tener causar lesiones graves.

INTERRUPTOR DE CORRIENTE

Vea la figura 11, página 17.

Su lijadora de banda y disco está provista de un interruptor de corriente con cerradura de llave integrada. Esta característica tiene la finalidad de evitar el uso no autorizado y posiblemente peligroso por niños y otras personas.

PARA ENCENDER LA LIJADORA DE BANDA Y DISCO:

- Introduzca la llave en el interruptor y levante el botón de éste a la posición **“ON” (ENCENDIDO)**.

PARA APAGAR LA LIJADORA DE BANDA Y DISCO:

- Para apagarla, baje el botón del interruptor a la posición **“OFF” (APAGADO)**.

ADVERTENCIA:

Cuando no esté en uso la herramienta, SIEMPRE retire la llave del interruptor y guárdela en un lugar seguro. En caso de un apagón, ponga el interruptor en la posición de **“OFF” (APAGADO)** y retire la llave. De esta manera se evita un arranque por accidente de la herramienta al restablecerse la corriente.

ADVERTENCIA:

SIEMPRE asegúrese de que la pieza de trabajo no toque la banda, antes de accionar el interruptor para encender la herramienta. La falta de atención a esta advertencia puede causar el lanzamiento violento de la pieza de trabajo hacia el operador, con posibilidad de lesiones graves.

ADVERTENCIA:

Para reducir el riesgo de un arranque accidental, SIEMPRE asegúrese de que el interruptor esté en la posición de **“OFF” (APAGADO)** antes de conectar la herramienta en la toma de corriente.

BLOQUEO DEL INTERRUPTOR

Vea la figura 12, página 17.

- Coloque el interruptor en la posición **“OFF” (APAGADO)**.
- Espere hasta que la lijadora se haya detenido completamente.
- Retire la llave del interruptor. Guarde la llave en un lugar seguro.

LIJADO EN BISEL

Vea la figura 13 y 14, página 17.

La mesa de trabajo puede ser inclinada de 0° a 45° para lijado en bisel. Para ángulos 30° y arriba, posicione lijadora a la orilla del banco del trabajo y monta lijadora en el lugar como mostrado en figuras 9 y 10.

Para inclinar la mesa de trabajo:

- Afloje la perilla de bloqueo de la mesa girándola a la izquierda.
- Coloque la mesa en el ángulo deseado.
- Apriete la perilla de bloqueo de la mesa girándola a la derecha.

LIJADO DE SUPERFICIES CON EXTREMO PEQUEÑO USANDO LA GUIA DE INGLETE

Vea la figura 15, página 17.

Con su herramienta se incluye una guía de inglete para mayor exactitud. Se recomienda el uso de una guía de inglete para lijar en el disco de lijar superficies con extremo pequeño.

NOTA: Siempre mueva la pieza de trabajo a través del disco de lijar de izquierda a centro.

LIJADO HORIZONTAL Y VERTICAL

Vea la figura 16, página 18.

Su lijadora de banda y disco puede lijar tanto vertical como horizontalmente. Dependiendo de la pieza de trabajo, utiliza el soporte de trabajo para operaciones horizontales de sanding y utiliza la mesa del trabajo para operaciones verticales de lijar.

- Usando la llave hexagonal suministrada, afloja el perno de posicionamiento girando el cerrojo a la izquierda.
- Coloque la banda de lijar en posición vertical.
- Bloquee la banda en su lugar apretando el perno de posicionamiento.

NOTA: Lije las piezas de trabajo largas con la banda de lijar en la posición vertical moviendo la pieza de trabajo uniformemente a través de la banda de lijar.

ADVERTENCIA:

SIEMPRE utilice el soporte de trabajo para el sanding horizontal y utilice la mesa del trabajo para el sanding vertical. Utilizar la lijadora sin también utilizar el soporte de trabajo o mesa de trabajo puede exponer al operario de pellizcar los puntos y puede causar una lesión personal grave.

FUNCIONAMIENTO

LIJADO DE SUPERFICIES EN LA BANDA DE LIJAR

Vea la figura 17, página 18.

- Sujete firmemente la pieza de trabajo, manteniendo los dedos alejados de la banda de lijar.
- Mantenga el extremo oprimido firmemente contra el soporte de la pieza de trabajo moviendo la pieza de trabajo uniformemente a través de la banda de lijar.

NOTA: Tenga mucho cuidado cuando lije piezas muy delgadas. Cuando lije piezas demasiado largas, mueva el pieza de trabajo a través de la cinta mientras aplique solamente suficiente presión para que la banda de lijar retire el material lijado.

LIJADO DE PIEZAS DE TRABAJO CURVAS

Vea la figura 18 y 19, página 18.

ADVERTENCIA:

Nunca intente lijar los extremos de una pieza de trabajo en el tambor de guía. Si se coloca el extremo de la pieza en el tambor de guía la pieza puede ser lanzada hacia arriba. El incumplimiento de esta advertencia puede causar una lesión personal grave.

Lijado de curvas interiores en la banda de lijar:

Siempre lije las curvas interiores en el tambor de guía.

- Sujete firmemente la pieza de trabajo, manteniendo los dedos alejados del la banda de lijar.
- Mantenga la curva oprimida firmemente contra el tambor de guía moviendo el trabajo uniformemente a través de la banda de lijar.

NOTA: Tenga mucho cuidado cuando lije piezas de trabajo muy delgadas y aplique suficiente presión para que la banda de lijar retire el material lijado.

Lijado de curvas exteriores en el disco de lijar:

Siempre lije las curvas exteriores usando el disco de lijar y moviendo la pieza de trabajo desde el lado izquierdo del centro del disco.

- Sujete firmemente la pieza de trabajo, manteniendo los dedos alejados del disco de lijar.
- Mantenga la curva oprimida firmemente contra el disco de lijar moviendo el trabajo uniformemente en el lado izquierdo del disco de lijar.

NOTA: Siempre mueva la pieza de trabajo a través del disco de lijar de izquierda a centro.

AJUSTES

ADVERTENCIA:

Antes de efectuar cualquier ajuste, asegúrese de que la lijadora de banda y disco esté desenchufada de la fuente de alimentación y que el interruptor esté en la posición "OFF" (APAGADO). El incumplimiento de esta advertencia puede causar una lesión personal grave.

AJUSTE DEL CENTRADO DE LA BANDA

Vea la figura 20, página 19.

- Enchufe la lijadora de banda y disco.

Para verificar el centrado de la banda:

- Encienda el interruptor y apáguelo inmediatamente. Si la banda tiende a salirse del tambor de guía o del tambor motriz, la banda no está debidamente centrada.

Ajuste del centrado de la banda:

- Si la banda de lijar se mueve hacia el disco, gire la perilla de centrado de la banda 1/4 de vuelta hacia arriba.
- Si la banda de lijar se aleja del disco, gire la perilla de centrado de la banda 1/4 de vuelta hacia abajo.
- Encienda el interruptor y apáguelo inmediatamente nuevamente, observando el movimiento de la banda. Vuelva a reajustar la perilla de centrado de la banda si es necesario.

COLOCACION A ESCUADRA DE LA MESA DE TRABAJO CON RESPECTO AL DISCO DE LIJAR

Vea la figura 21, página 19.

- Desenchufe la lijadora de banda y disco.
- Usando una escuadra combinada, verifique el ángulo de la mesa de trabajo con respecto al disco de lijar.
- Si la mesa de trabajo no está a 90° con respecto al disco, afloje la perilla de bloqueo de la mesa e incline la mesa.
- Ajuste la mesa de modo que quede a escuadra con el disco de lijar y vuelva a apretar la perilla de bloqueo de la mesa.

MANTENIMIENTO

ADVERTENCIA:

Para el servicio de la unidad sólo utilice piezas de repuesto idénticas. El empleo de piezas diferentes puede causar un peligro o dañar el producto.

ADVERTENCIA:

Siempre póngase protección ocular con la marca de cumplimiento de la norma ANSI Z87.1. Si la operación genera mucho polvo, también póngase una mascarilla contra el polvo.

ADVERTENCIA:

Antes de efectuar cualquier mantenimiento, asegúrese de que la herramienta esté desconectada de la fuente de alimentación y que el interruptor esté en la posición apagado (O). El incumplimiento de esta advertencia puede causar una lesión personal grave.

MANTENIMIENTO GENERAL

Evite el empleo de solventes al limpiar piezas de plástico. La mayoría de los plásticos son susceptibles a diferentes tipos de solventes comerciales y pueden resultar dañados. Utilice paños limpios para eliminar la suciedad, el polvo, el aceite, la grasa, etc.

ADVERTENCIA:

No permita en ningún momento que fluidos para frenos, gasolina, productos a base de petróleo, aceites penetrantes, etc., lleguen a tocar las piezas de plástico. Las sustancias químicas pueden dañar, debilitar o destruir el plástico, lo cual a su vez puede producir lesiones corporales serias.

LUBRICACIÓN

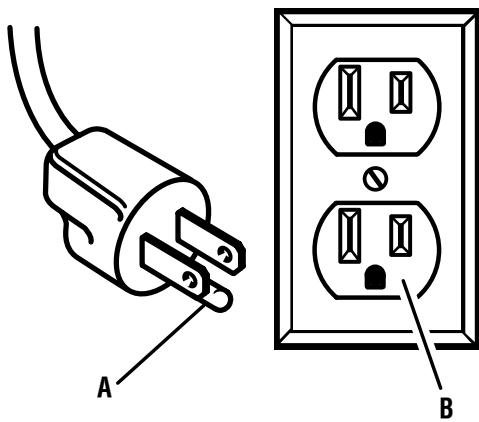
Todos los cojinetes de esta herramienta están lubricados con suficiente cantidad de aceite de alta calidad para toda la vida útil de la unidad en condiciones normales de funcionamiento. Por lo tanto, no se necesita lubricación adicional.

CAMBIO DE LA CORREA MOTRIZ

Vea la figura 22, página 19.

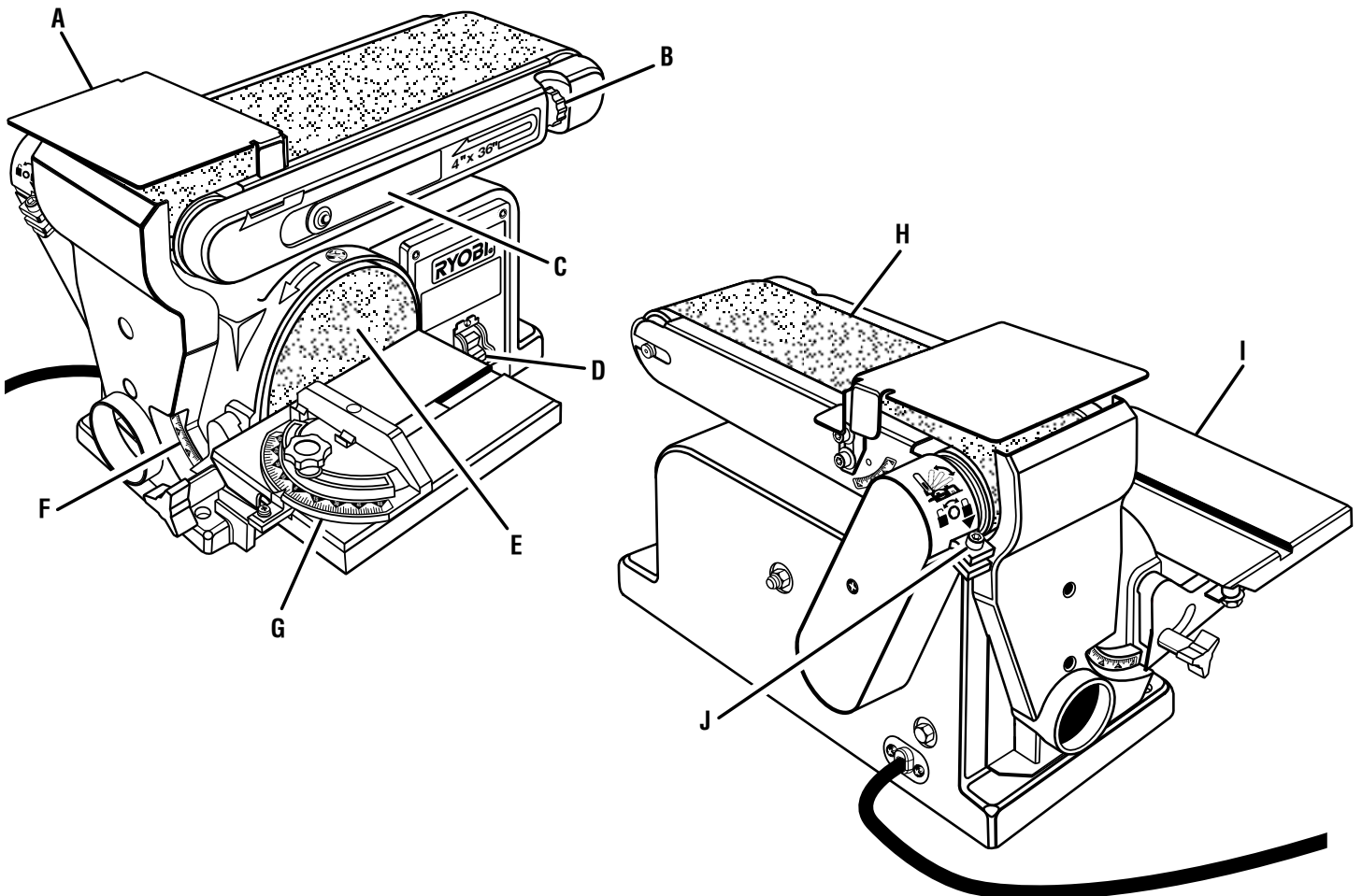
- Desenchufe la lijadora de banda y disco.
- Usando un destornillador phillips, retire el tornillo situados en el centro de la cubierta de la correa.
- Retire la cubierta.
- Afloje los tres tornillos de la tensión dentro de la alojamiento del polea entonces aprieta la alojamiento para aflojar la tensión de la banda.
- Retire la correa motriz antigua.
- Instale la nueva correa motriz en la polea motriz primero y luego en la polea del motor.
- Compruebe la tensión de la banda apretando la correa con sus dedos.
- Levante la alojamiento del polea para aumentar la tensión de la correa hasta que tenga una holgura de aproximadamente 6 mm (1/4 pulg.).
- Apriete firmemente el tornillo de la tensión.
- Use un destornillador phillips para reinstalar la cubierta de la polea y el tornillo. Apriete firmemente.

Fig. 1



- A - Grounding pin (broche de mise à la terre, patilla de conexión a tierra)
B - 120V grounded outlet (prise secteur 120 V mise à la terre, toma de corriente con tierra, de 120 V)

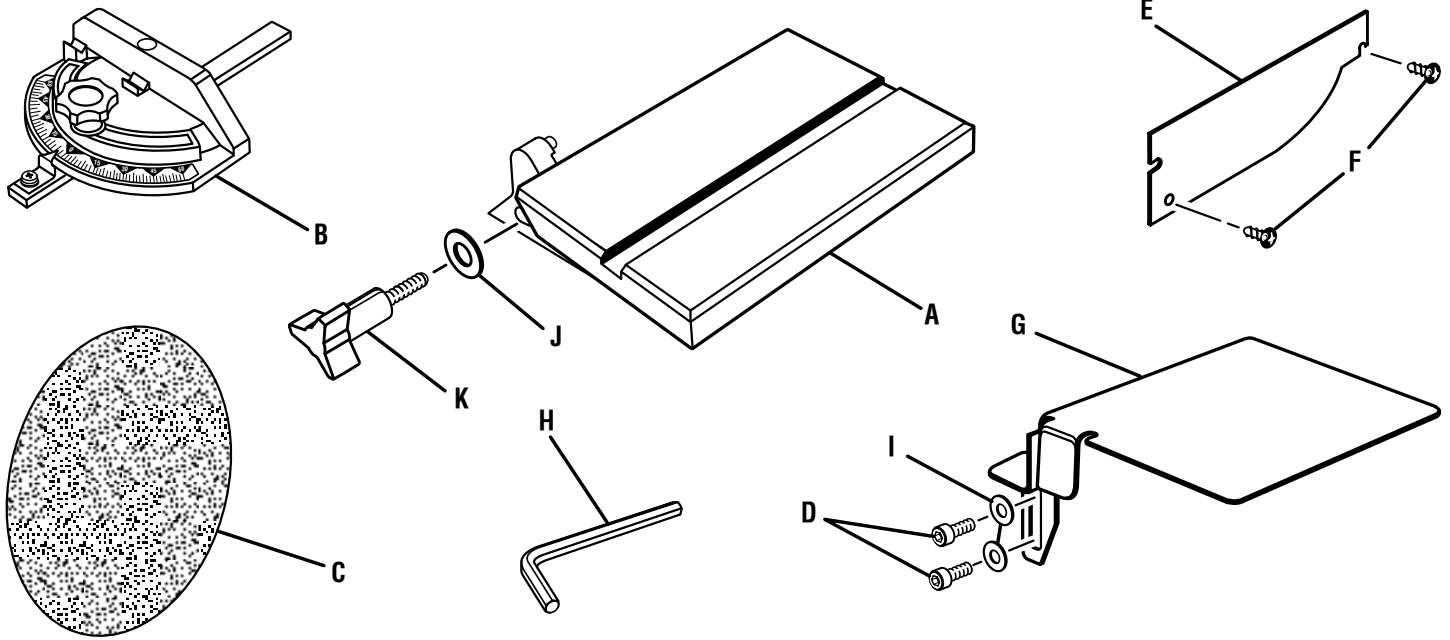
Fig. 2



- A - Work support (plaque de support, soporte de la pieza de trabajo)
B - Tracking knob (bouton de centrage, perilla de centrado)
C - Belt tension lever (levier de tensionnement de la bande de ponçage, palanca tensora de la banda)
D - Switch and switch key (interrupteur et clé d'interrupteur, interruptor y llave del interruptor)
E - Sanding disc (disque de ponçage, disco de lijar)
F - Bevel scale (échelle de biseau, escala de bisel)
G - Miter gauge (guide d'onglet, guía de ingletes)
H - Sanding belt (bande de ponçage, banda de lijar)
I - Work table (table de travail, mesa de trabajo)
J - Positioning bolt (boulon de positionnement, perno de posicionamiento)

Fig. 3

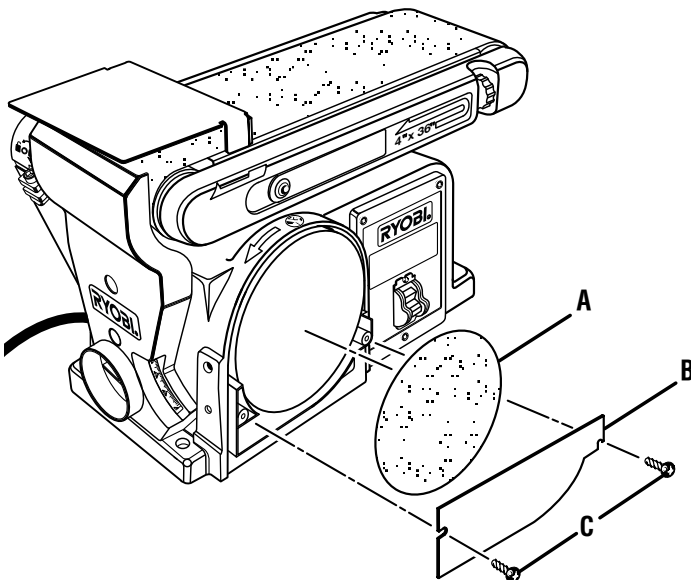
**LOOSE PARTS
PIÈCES DÉTACHÉES
PIEZAS SUELTAS**



- A - Work table (table de travail, mesa de trabajo)
- B - Miter gauge (guide d'onglet, guía de ingletes)
- C - Sanding disc (disque de ponçage, disco de lijar)
- D - Socket head screws (vis à tête creuse, tornillos de cabeza hueca)
- E - Disc guard (carter du disque, protector del disco)
- F - Phillips screws (vis phillips, tornillos phillips)

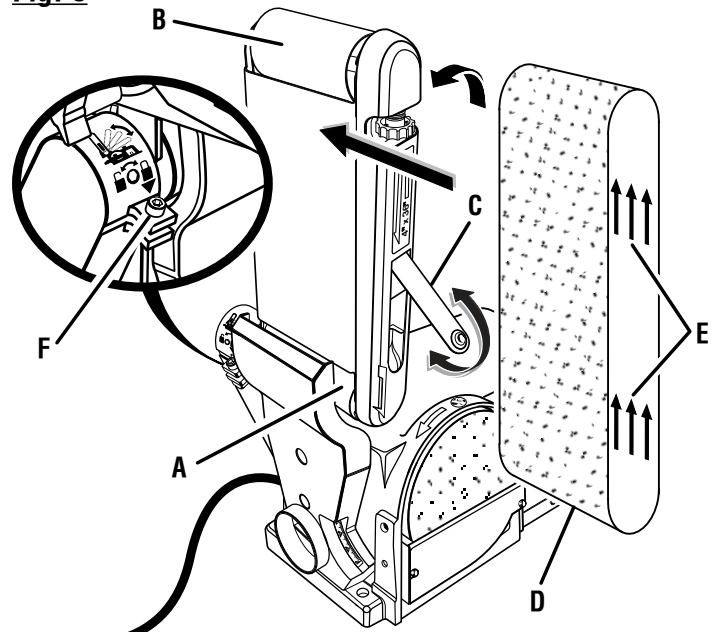
- G - Work support (plaque de support, soporte de la pieza de trabajo)
- H - Hex key (clé hexagonale, llave hexagonal)
- I - Washers (rondelles, arandelas)
- J - Washer (rondelle, arandela)
- K - Table lock knob (bouton de blocage de table, perilla de bloqueo de la mesa)

Fig. 4



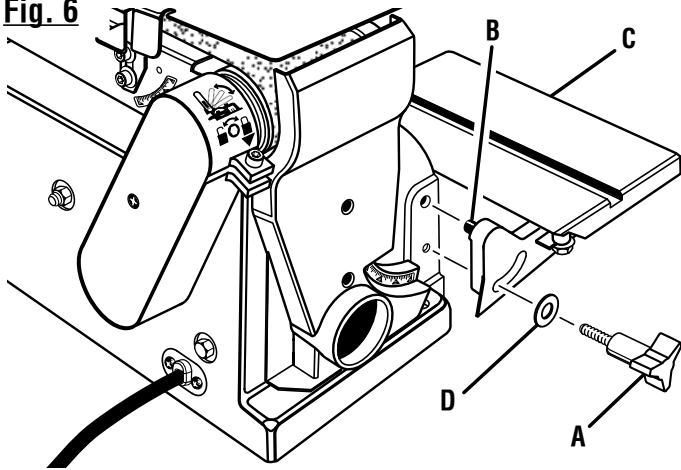
- A - Sanding disc (disque de ponçage, disco de lijar)
- B - Disc guard (carter du disque, protector del disco)
- C - Phillips screws (vis phillips, tornillos phillips)

Fig. 5



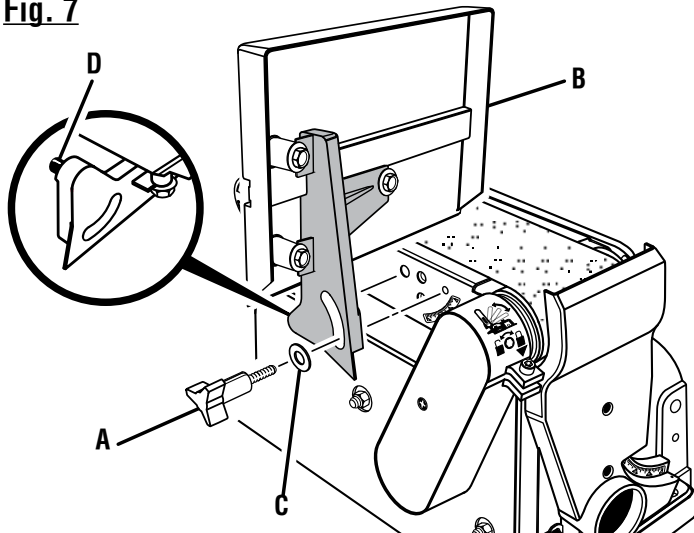
- A - Drive roller (rouleau d'entraînement, maneje el rodillo)
- B - Idler roller (tambour libre, tambor de guía)
- C - Belt tension lever (cylindre de tension de ceinture, rodillo de tension de cinturón)
- D - Sanding belt (bande de ponceuse, banda de lijar)
- E - Directional arrow (flèches directionnelles, flechas direccionales)
- F - Positioning bolt (boulon de positionnement, perno de posicionamiento)

Fig. 6



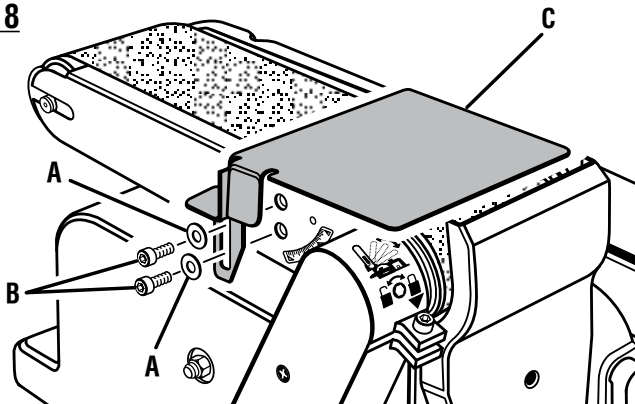
- A - Table lock knob (bouton de blocage de table, perilla de bloqueo de la mesa)
- B - Index pin (epingle d'index, índice alfiler)
- C - Work table (table de travail, mesa de trabajo)
- D - Washer (rondelle, arandela)

Fig. 7



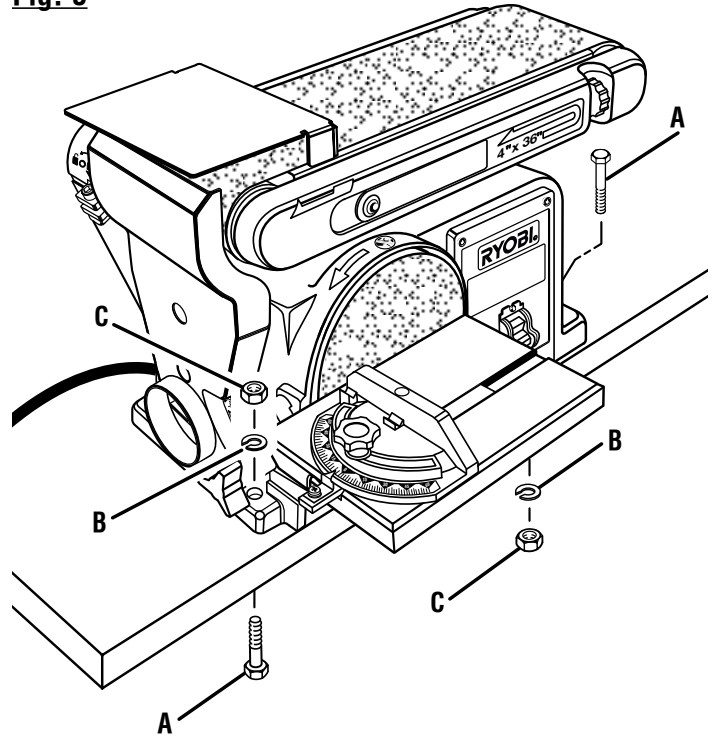
- A - Table lock knob (bouton de blocage de table, perilla de bloqueo de la mesa)
- B - Work table (table de travail, mesa de trabajo)
- C - Washer (rondelle, arandela)
- D - Index pin (epingle d'index, índice alfiler)

Fig. 8



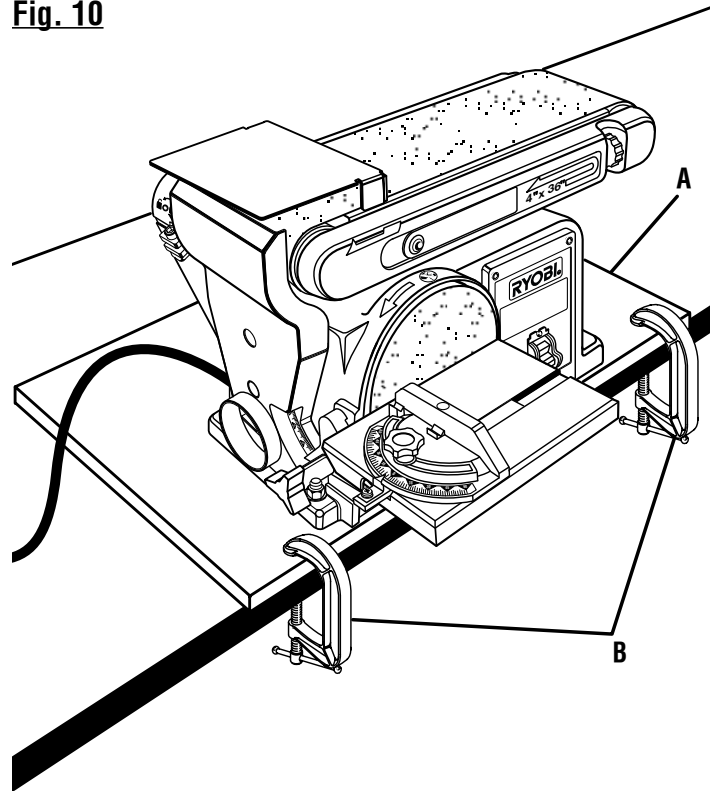
- A - Washers (rondelles, arandelas)
- B - Socket head screws (vis de montage, tornillo de cabeza hueca)
- C - Work support (plaque de support, soporte de la pieza de trabajo)

Fig. 9



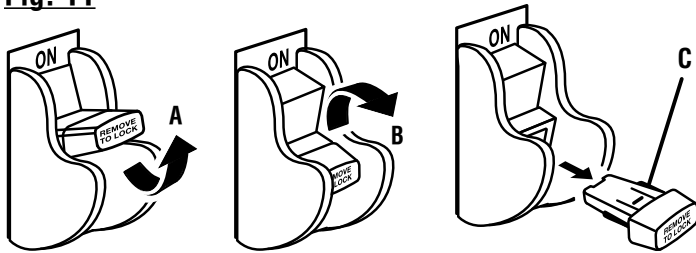
- A - Bolt (boulon, perno)
- B - Lock washer (rondelle frein, arandela de seguridad)
- C - Hex nut (écrou hex., tuerca hex.)

Fig. 10



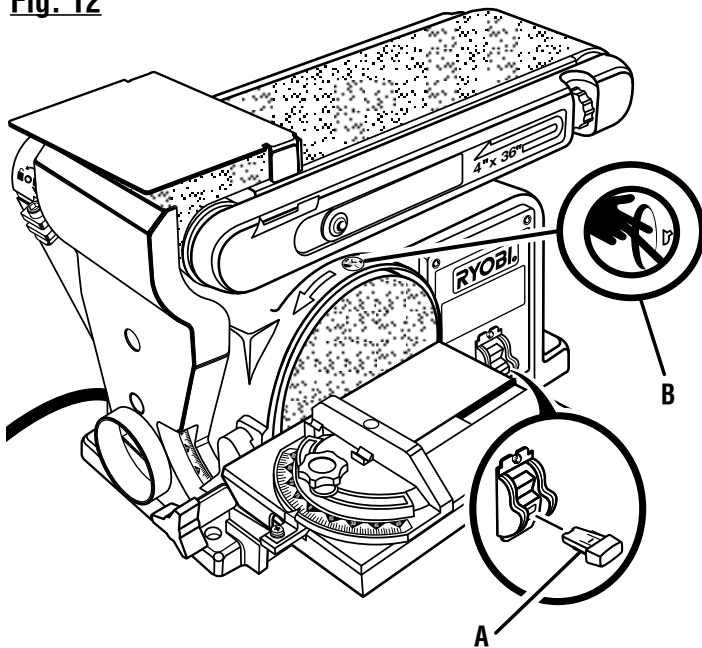
- A - Mounting board (panneau de montage, tabla de montaje)
- B - C-clamps (serre-joints, mordazas en C)

Fig. 11



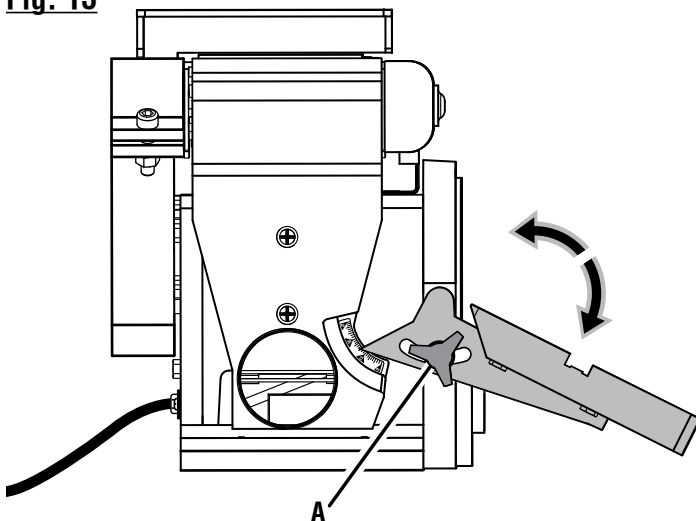
- A - Switch on (interrupteur en position de marche, interruptor encendido)
B - Switch off (interrupteur en position d'arrêt, interruptor en posición de apagado)
C - Switch key removed (clé de l'interrupteur retirée, llave del interruptor retirada)

Fig. 12



- A - Switch key (clé de l'interrupteur, llave del interruptor)
B - "No Hands" label (étiquette « mains à l'écart », etiqueta de "no acercar las manos")

Fig. 13



- A - Table lock knob (bouton de blocage de la table, perilla de bloqueo de la mesa)

Fig. 14

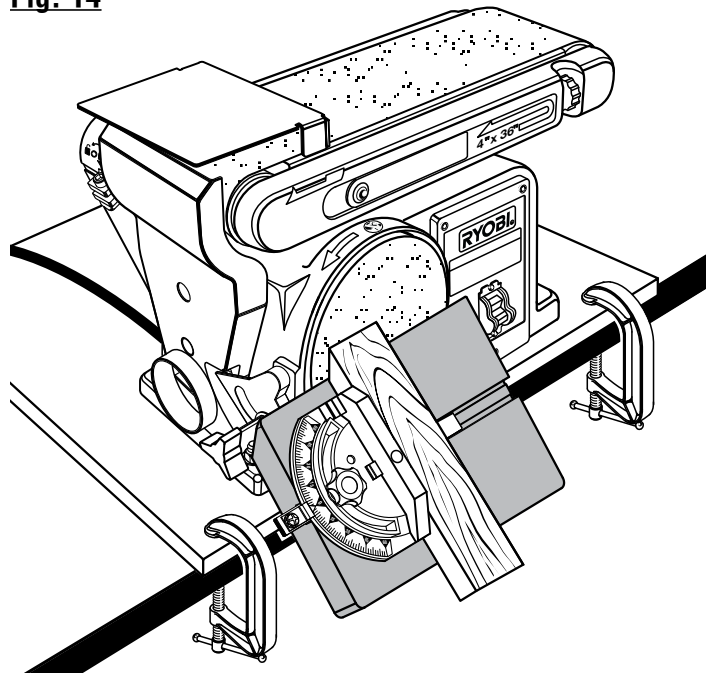
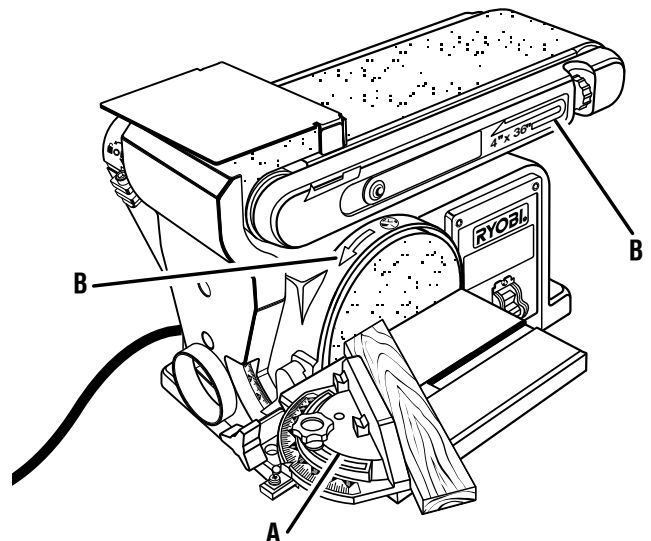
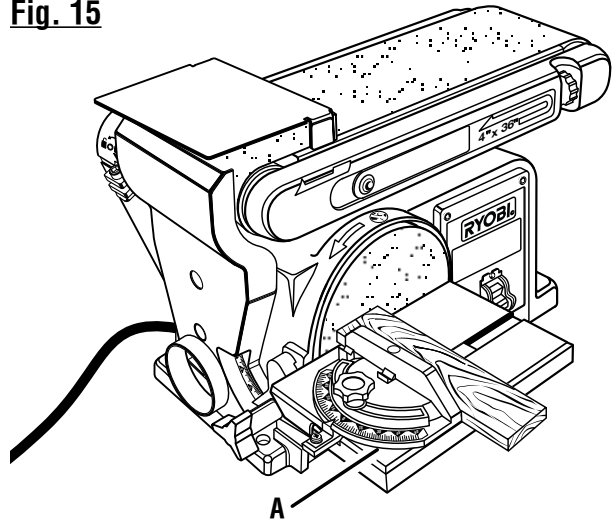
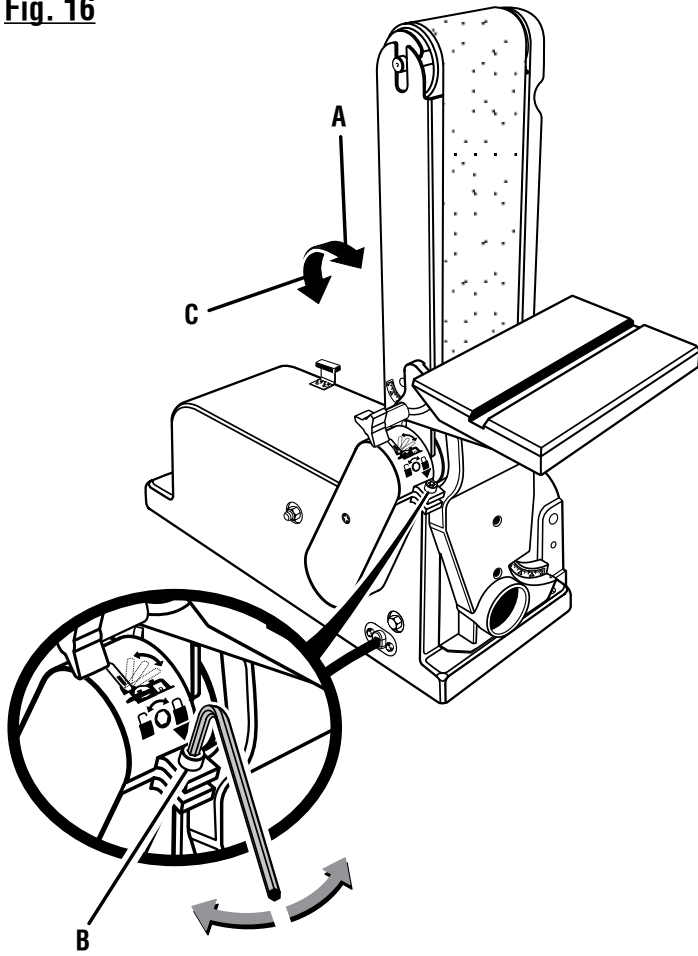


Fig. 15



- A - Miter gauge (guide d'onglet, guía de ingletes)
B - Directional arrows (flèches directionnelles, flechas direccionales)

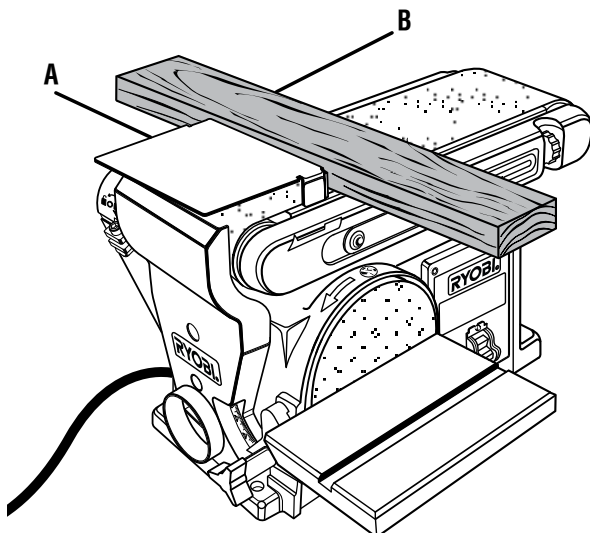
Fig. 16



- A - Vertical position (positionnement vertical, posicion vertical)
- B - Positioning bolt (boulon de positionnement, perno de posicionamiento)
- C - Horizontal position (positionnement horizonta, posicion horizontal)

Fig. 17

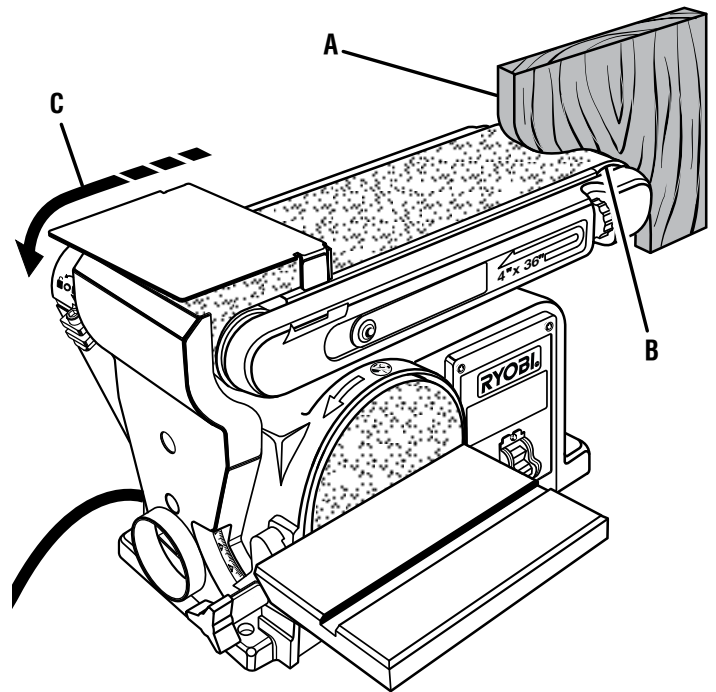
**SURFACE SANDING
APPARAÎTRE PONÇAGE
LIJADO DE SUPERFICIE**



- A - Work support (plaque de support, soporte de la pieza de trabajo)
- B - Workpiece (pièce, pieza de trabajo)

Fig. 18

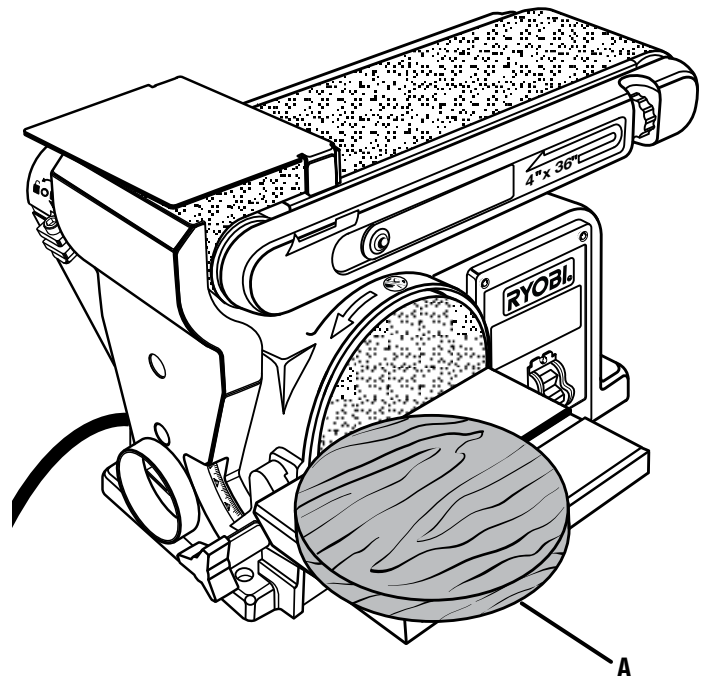
**SANDING INSIDE CURVES
PONÇAGE DANS LES COURBES
LIJADO DENTRO DE CURVAS**



- A - Workpiece (pièce, pieza de trabajo)
- B - Idler roller (tambour libre, tambor de guía)
- C - Belt direction towards work support (direction de courroie vers le plaque de support, dirección de la correa hacia soporte de la pieza de trabajo)

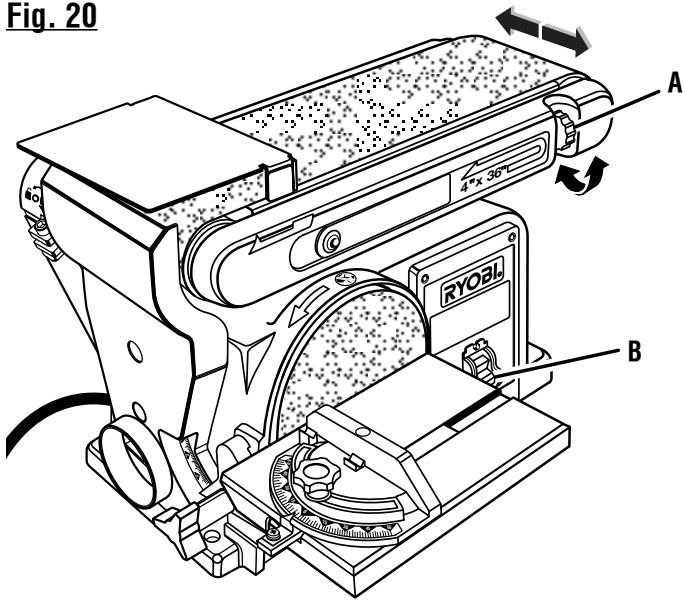
Fig. 19

**SANDING OUTSIDE CURVES
PONÇAGE HORS DES COURBES
LIJADO FUERA DE CURVAS**



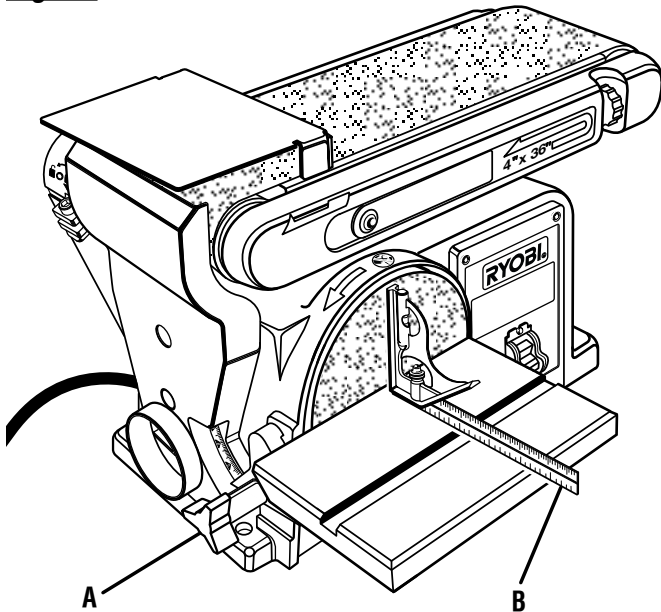
- A - Workpiece (pièce, pieza de trabajo)

Fig. 20



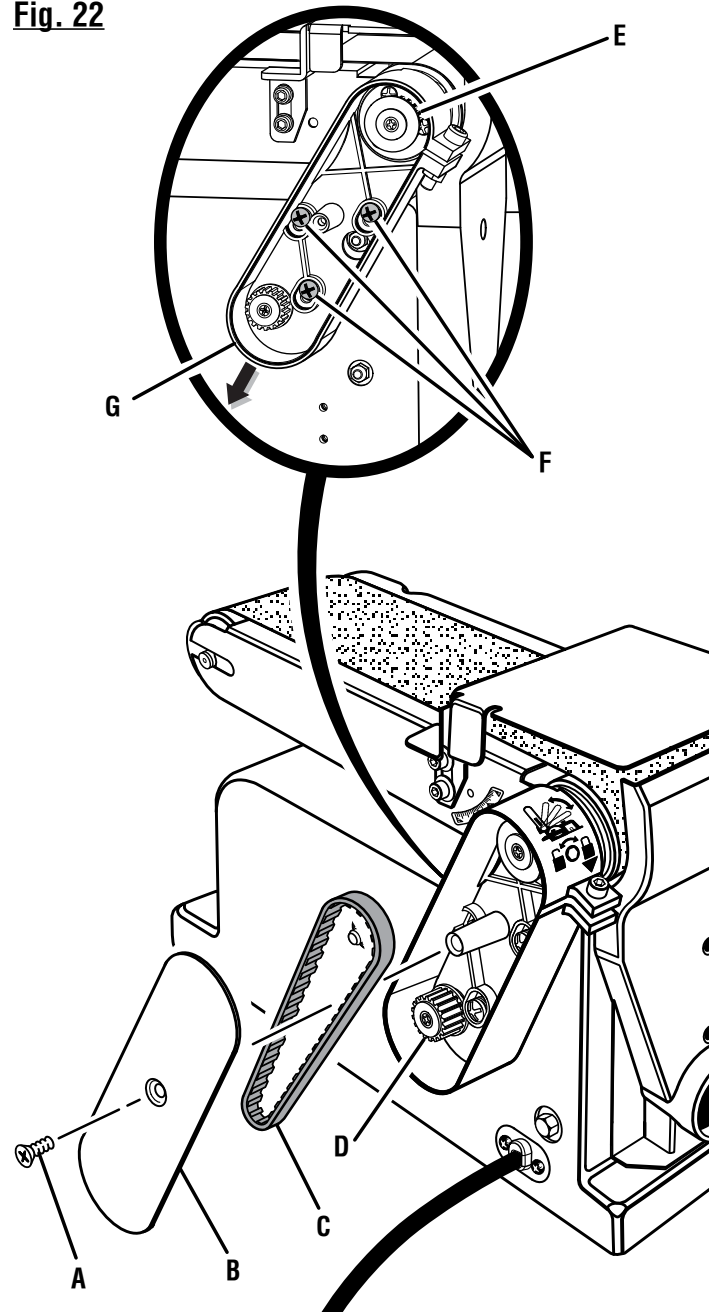
- A - Tracking knob (bouton de centrage, perilla de centrado)
B - Switch (interrupteur, interruptor)

Fig. 21



- A - Table lock knob (bouton de blocage de la table, perilla de bloqueo de la mesa)
B - Combination square (équerre à combinaisons, escuadra combinada)

Fig. 22



- A - Phillips screw (vis phillips, tornillo phillips)
B - Belt cover (carter de courroie, cubierta de la correa)
C - Drive belt (courroie de transmission, correa mortiz)
D - Motor pulley (poulie du moteur, polea mortiz)
E - Drive pulley (poulie du tambour moteur, banda de lijar)
F - Tension screw (vis de tension, tornillo de tensión)
G - Pulley housing (boîtier de poulie, alojamiento del polea)



**OPERATOR'S MANUAL /
MANUEL D'UTILISATION /MANUAL DEL OPERADOR
BELT/DISC SANDER
PONCEUSE À BANDE/DISQUE
LIJADORA DE BANDA Y DISCO
BD4601/BD4601G**

• **PARTS AND SERVICE**

Prior to requesting service or purchasing replacement parts, please obtain your model and serial number from the product data plate.

- MODEL NUMBER _____
- SERIAL NUMBER _____

• **HOW TO OBTAIN REPLACEMENT PARTS:**

Replacement parts can be purchased online at **www.ryobitools.com** or by calling 1-800-525-2579. Replacement parts can also be obtained at one of our Authorized Service Centers.

• **HOW TO LOCATE AN AUTHORIZED SERVICE CENTER:**

Authorized Service Centers can be located online at **www.ryobitools.com** or by calling 1-800-525-2579.

• **HOW TO OBTAIN CUSTOMER OR TECHNICAL SUPPORT:**

To obtain Customer or Technical Support please contact us at 1-800-525-2579.

RYOBI is a registered trademark of Ryobi Limited and is used pursuant to a license granted by Ryobi Limited.

• **PIÈCES ET SERVICE**

Avant de faire la demande de service ou l'achat de pièces de remplacement, veuillez obtenir le numéro de série du modèle à partir de la plaque de données du produit.

- NUMÉRO DE MODÈLE _____
- NUMÉRO DE SÉRIE _____

• **COMMENT OBTENIR LES PIÈCES DE REMPLACEMENT :**

Les pièces de remplacement peuvent être achetées en ligne sur le site **www.ryobitools.com** ou par téléphone au 1-800-525-2579. Les pièces de remplacement peuvent être obtenues à un de nos centres de service autorisés.

• **COMMENT TROUVER UN CENTRE DE SERVICE AUTORISÉ :**

Les centres de service autorisés peuvent être localisés en ligne au **www.ryobitools.com** ou en téléphonant au 1-800-525-2579.

• **COMMENT OBTENIR DE L'AIDE EN CONTACTANT LE SERVICE À LA CLIENTÈLE :**

Pour contacter le service à la clientèle pour une question technique ou pour tout autre renseignement, veuillez nous téléphoner au 1-800-525-2579.

RYOBI est une marque déposée de RYOBI Limited et est utilisée en vertu d'une licence accordée par Ryobi Limited.

• **PIEZAS DE REPUESTO Y SERVICIO**

Antes de solicitar servicio técnico o comprar piezas de repuesto, obtenga su modelo y número de serie de la placa de datos del producto.

- NÚMERO DE MODELO _____
- NÚMERO DE SERIE _____

• **CÓMO OBTENER PIEZAS DE REPUESTO:**

Las piezas de repuesto se pueden comprar en nuestro sitio en la red mundial, en la dirección **www.ryobitools.com** o llamando al 1-800-525-2579. Las piezas de repuesto también se pueden obtener en uno de nuestros Centros de Servicio Autorizados.

• **CÓMO LOCALIZAR UN CENTRO DE SERVICIO AUTORIZADO:**

Puede encontrar los Centros de Servicio Autorizados visitando nuestro sitio en la red mundial, en la dirección **www.ryobitools.com** o llamando al 1-800-525-2579.

• **CÓMO OBTENER SERVICIO O ASISTENCIA TÉCNICA AL CONSUMIDOR:**

Para obtener Servicio o Asistencia Técnica al Consumidor, sírvase comunicarse con nosotros llamando al 1-800-525-2579.

RYOBI es una marca registrada de Ryobi Limited y se utiliza conforme a una licencia otorgada por Ryobi Limited.

ONE WORLD TECHNOLOGIES, INC.

1428 Pearman Dairy Road, Anderson, SC 29625 USA
1-800-525-2579 • www.ryobitools.com