

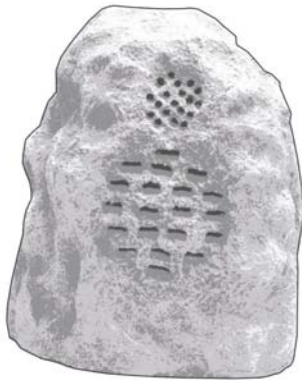


SPK-ROCK2

Add-On

900MHz Digital Wireless

Rock Speaker



Single Add-On Unit

to be used in conjunction with your previously purchased
SPK-ROCK 900MHz Wireless Rock Speaker Set

User Manual

www.audio-unlimited.com

www.cablesunlimited.com

INTRODUCTION

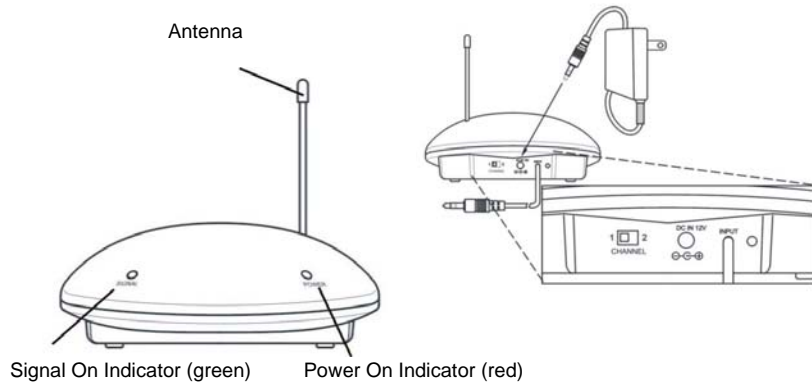
This **add-on** unit is to be used with your current 900 MHz wireless Rock speaker system (SPK-ROCK). 900 MHz digital hybrid wireless rock speaker system uses the latest wireless technology to enable you to enjoy music and TV sound anywhere inside or outside your home. You simply connect the system to any audio source such as Radio, TV, VCR, Hi-Fi and CD/MP3/VCD/DVD/Blu-ray player. Without any complicated wiring and installation this system enables you to enjoy incredible, bona fide sound in minutes.

FEATURES

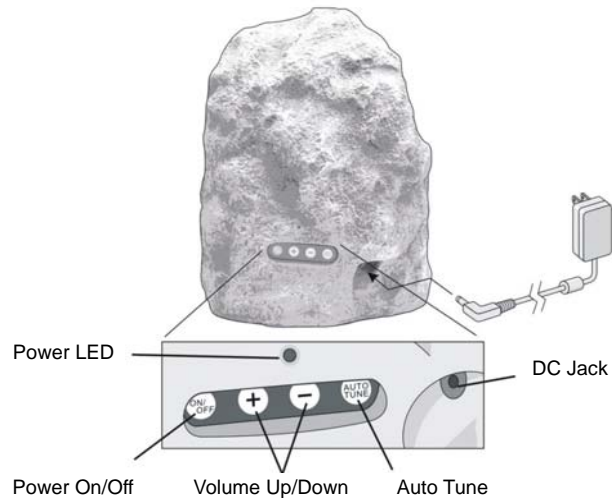
1. Weatherproof outdoor rock speaker.
2. Automatic Phase Lock Loop (PLL) scanning system on speaker receiver.
3. Phase Lock Loop (PLL) transmission system on transmitter.
4. 900 MHz RF technology rock-type outdoor speaker system.
5. RF technology lets you place the rock speaker freely anywhere in your home/garden.
6. Operating distance up to 150 feet.
7. No line of sight limitation.
8. Virtually interference free audio quality.
9. Auto ON/OFF.
10. Auto tuning function.
11. Auto shut-off on speaker.
12. Volume up/down control.
13. Power on/off.
14. 2-way speaker.

COMPONENT IDENTIFICATION

TRANSMITTER (Not included with SPK-ROCK2)



SPEAKER RECEIVER



IMPORTANT SAFETY INFORMATION

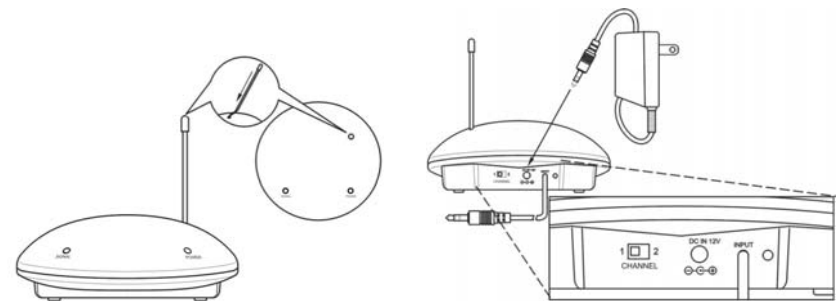
1. Read and understand all instructions.
2. Follow all warnings and instructions.
3. Do not use liquid or aerosol cleaners. Use a damp cloth for cleaning. If necessary, use a mild soap.

INSTALLATION INSTRUCTIONS

TRANSMITTER (Not applicable with SPK-ROCK2 -already set up with your SPK-ROCK system). USE THE SAME GUIDELINES TO CONNECT YOUR ADD-ON WIRELESS SPEAKER (SPK-ROCK2)

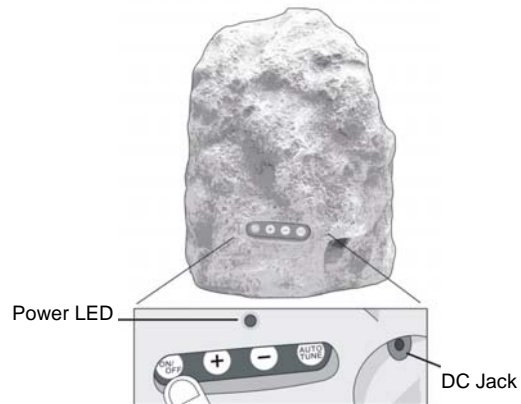
1. Insert the antenna tube into the antenna wire.
2. Connect the supplied AC/DC power adapter to an electrical wall outlet.
3. Plug the AC/DC power adapter in the DC jack located on the rear of the transmitter.
4. When the AC adapter is plugged in, the red POWER LED illuminates. If the red POWER LED does not illuminate, make sure the adapter is plugged in.
5. The rear of the transmitter has one audio cord that can be connected to audio output jack of TV, Monitor, VCR, Radio recorder, CD/MP3/VCD/DVD/Blu-ray players or to headphone/earphone jack with the connector provided.

When the transmitter received an audio signal, the green SIGNAL LED and the red POWER LED will illuminate together. If the green SIGNAL LED does not illuminate, ensure the audio source is turned on.



SPEAKER RECEIVER

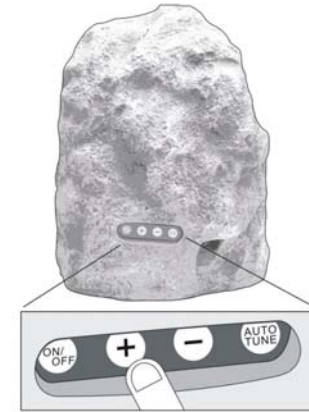
1. Plug in the power adapter with the rock speaker and AC power outlet to charge the lead acid battery built inside the rock speaker. The battery pack must be charged at least **15 hours** before the first operation.
2. The rock speaker can be operated either with power supplied by battery pack or from AC outlet with connection of power adapter. When the power adapter is connected with AC outlet, the battery pack will be simultaneously charged when the unit is in operation. Press On/Off button and turn the speaker ON. The POWER LED will light up in green. Switch off the speaker by pressing the ON/OFF button on the speaker, and the LED will be off.



OPERATION

1. Turn on the audio source (TV or audio component) to which the transmitter is connected with. The green LED on the transmitter will light up.
2. Select the channel (1 or 2) of the transmitter for best performance in your location.
3. Turn on the ON/OFF button on the speaker. Press the "AUTO TUNE" button to get the best tuning reception in the speaker. When the button is pressed, frequency tuning starts automatically and it stops when a signal is detected.

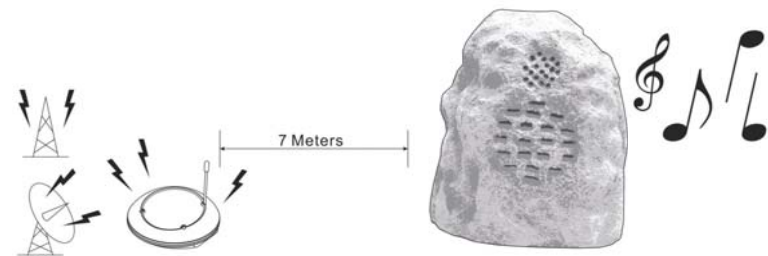
4. Volume can be adjusted up by pressing the "+" button, or down by pressing the button "-" to the desired listening level.



5. Should you experience any frequency interference, move your channel switch from one channel to the other channel (there are two channels for selection) on the transmitter, and then press the "AUTO-TUNE" button again.

NOTE:

Keep the speaker up to 7 meters apart from the transmitter, and then press "AUTO TUNE" button for the best reception.



6. Switching Off

- a) To protect the transmitter and save power, the transmitter will turn off automatically if it detects that the unit is not being operated or, there is weak reception from the signal audio source, for 4 minutes.

In other words, if the signal comes back, the transmitter will work again automatically.

- b) Turn off the speaker by pressing the ON/OFF button and the LED light will then turn off, or it will automatically turn off in approximately 4 minutes when the transmitter turns off.

7. Weather Conditions

- a) The rock speaker unit should be operated between the temperature range of 14°F – 122°F. Operation at temperature conditions beyond this range will likely cause some damage to the unit.
- b) The rock speaker unit should be moved indoors during adverse weather conditions such as heavy downpours, hail, snow, or at temperatures below 14°F and above 122°F.

WARNING:

The Power adapters are for indoor use only. If it is wet outside or raining, you can continue to operate your speakers via their internal batteries. Please move the adapters out of the rain by removing them and placing them in a safe dry place.

When powering by AC household current this device must be used with the AC/DC adapters supplied within the package. Do not try to power using other AC or DC adapters.

8. Re-charging battery

- a) Connect the power cable to the AC power outlet and speaker. Batteries will automatically be re-charged.

TROUBLE SHOOTING

NO SOUND

- Ensure the AC/DC adapter is fully inserted into the AC outlet and the power connection input on the transmitter.
- Ensure the speaker is switch ON.
- Speaker's battery capacity is low, replace with new battery or connect the AC/DC adapter to the speaker.
- Ensure the TV or audio component is ON.
- The connected audio / video equipment is not playing. Start playing the equipment.
- The volume of speaker is too low, adjust the volume to an appropriate level.

DISTORTED

- Press the "AUTO-TUNE" button on the speaker until matching the frequency of the transmitter.
- Change the position of the channel selector on the transmitter. You must press the "AUTO TUNE" button on the speaker.
- Ensure the volume level of speaker is adjusted properly.
- The speaker is too far away from the transmitter, move it closer.
- The input level of the audio signal is too low. Turn up the volume of the audio source equipment.
- The input level of the transmitter is too high, lower the volume of the audio source equipment.

TECHNICAL SPECIFICATIONS

Transmission Mode	:	UHF
Carrier Frequency	:	900 MHz Digital Hybrid
Operation Voltage	:	Transmitter, DC 12V 150mA Speaker, built-in lead acid rechargeable battery or DC 15V 1A adapter
Frequency Response	:	40Hz – 12KHz
Distortion	:	1%
S/N Ratio	:	65dB
Operation Distance	:	Up to 150 feet
Speaker	:	2-way
Output Power	:	100Watts (PMPO)
Storage Conditions	:	Place the speaker indoors during 1) Rain, Hail or Heavy downpours 2) Snow 3) Temperatures below 14°F, above 122°F
Operation Conditions	:	At temperatures below 122°F, above 14°F

NOTE:

This equipment has been tested and found to comply with the limits for a Class B digital device, pursuant to Part 15 of the FCC Rules. These limits are designed to provide reasonable protection against harmful interference in a residential installation. This equipment generates, uses and can radiate radio frequency energy and, if not installed and used in accordance with the instructions, may cause harmful interference to radio communications. However, there is no guarantee that interference will not occur in a particular installation. If this equipment does cause harmful interference to radio or television reception, which can be determined by turning the equipment off and on, the user is encouraged to try to correct the interference by one or more of the following measures:

- Reorient or relocate the receiving antenna.
- Increase the separation between the equipment and receiver.
- Connect the equipment into an outlet on a circuit different from that to which the receiver is connected.
- Consult the dealer or an experienced radio/TV technician for help.

Changes or modifications not expressly approved by the party responsible for compliance could void the user's authority to operate the equipment.

This device must be used with the AC/DC adapters supplied in the package.