

SC-600 AMPLIFIER

SUBCONTRACTOR™ SERIES

USER'S MANUAL



*SC-600 Amplifier, SC-600 IW,
SC-600 IF/IC Subwoofers*



CAUTION!



CAUTION
RISK OF ELECTRIC SHOCK
DO NOT OPEN



Caution

To reduce the risk of electric shock, do not remove cover (or back). No user-serviceable parts inside. Refer servicing to qualified service personnel.

The lightning flash with arrowhead symbol is intended to alert the user to the presence of uninsulated “dangerous voltage” within the product’s enclosure that may be of sufficient magnitude to constitute a risk of electric shock to persons.

The exclamation point symbol is intended to alert the user to the presence of important operating and maintenance (servicing) instructions in the literature accompanying the subwoofer.

1. **Read Instructions** — All safety and operating instructions should be read before the product is operated.
2. **Retain Instructions** — The safety and operating instructions should be retained for future reference.
3. **Heed Warnings** — All warnings on the product and in the operating instructions should be adhered to.
4. **Follow Instructions** — All operating and use instructions should be followed.
5. **Water and Moisture** — The product should not be used near water — for example, near a bathtub, washbowl, kitchen sink, laundry tub, in a wet basement, near a swimming pool or the like.
6. **Carts and Stands** — The product should be used only with a cart or stand recommended by the manufacturer.
7. **Wall or Ceiling Mounting** — The product should be mounted to a wall or ceiling only as recommended by the manufacturer.
8. **Ventilation** — The product should be situated so that its location or position does not interfere with its proper ventilation. For example, the product should not be situated on a bed, sofa, rug, or similar surface that may block the ventilation openings; or placed in a built-in installation such as a bookcase or cabinet that may impede the flow of air through the ventilation openings.
9. **Heat** — The product should be situated away from heat sources such as radiators, heat registers, stoves, or other products that produce heat.
10. **Power Sources** — The product should be connected to a power supply only of the type described in the operating instructions or as marked on the product.
11. **Grounding or Polarization** — This product may be equipped with a polarized alternating-current line plug (a plug having one blade wider than the other). This plug will fit into the power outlet only one way. This is a safety feature. If you are unable to insert the plug fully into the outlet, try reversing the plug. If the plug should still fail to fit, contact your electrician to replace your obsolete outlet. Do not defeat the safety purpose of the polarized plug.
12. **Power-Cord Protection** — Power-supply cords should be routed so that they are not likely to be walked on or pinched by items placed upon or against them, paying particular attention to cords at plugs, convenience receptacles, and the point at which they exit from the product.
13. **Cleaning** — The product should be cleaned only as recommended by the manufacturer.
14. **Nonuse Periods** — The power cord of the product should be unplugged from the outlet when left unused for a long period of time.
15. **Object and Liquid Entry** — Care should be taken so that objects do not fall and liquids are not spilled onto the enclosure.
16. **Damage Requiring Service** — The product should be serviced by qualified service personnel when:
 - a. The power-supply cord or plug has been damaged.
 - b. Objects have fallen or liquid has been spilled into the product.
 - c. The product has been exposed to rain.
 - d. The product does not appear to operate normally or exhibits a marked change in performance.
 - e. The product has been dropped or damaged.
17. **Servicing** — The user should not attempt to service the product beyond what is described in the operating instructions. All other servicing should be referred to qualified service personnel.
18. **Lightning** — For added protection for the product during a lightning storm or when it is left unattended and unused for long periods of time, unplug it from the wall outlet.
19. **Overloading** — Do not overload wall outlets, extension cords or integral convenience receptacles as this can result in a risk of fire or electric shock.
20. **Attachments** — Only use attachments and accessories specified by the manufacturer.
21. **Voltage** — Insure that the subwoofer is only connected to the rated source voltage. Do not connect the 120-volt version to 230-volts or vice-versa. This will result in damage to the subwoofer and possible injury to the user.

CAUTION: To prevent electrical shock, match wide blade of plug to wide slot, fully inserted.

TABLE OF CONTENTS

Congratulations	1
Product Features	1
– SC-600 Subwoofer Amplifier	1
– SC-600 IW, SC-600 IF/IC Subwoofers	2
Setup Checklist	2
Installation	3
– Front Panel Controls and Displays	3
– Rear Panel Connections	4
Rear Panel Connections - Detailed Explanation	8
– About Low-Pass Crossovers	8
– A Word About Your Receiver’s Crossover and the SC-600 Amplifier Crossover	8
– A Word About Interconnect Cables	9
– A Word About Subwoofer Placement	9
Selecting the Subwoofer to be Controlled	10
Usage	11
Restore Defaults	14
Care of Your Amplifier and Subwoofer	14
Troubleshooting and Service	15
Specifications	16
Appendix A: RS-232 Serial Overview and Commands	17
Velodyne Products	19
Warranty	20

CONGRATULATIONS

Congratulations on your purchase of a Velodyne SubContractor Series (SC) 600 amplifier and subwoofer. This system represents the state-of-the-art in low frequency reproduction. Read and follow the instructions below to ensure safe and proper system operation.

Warning!

To prevent fire or shock hazard, do not expose this equipment to rain or moisture. To avoid electrical shock, do not open the speaker enclosure or the amp chassis cover. Please observe all warnings on the equipment itself. There are no user serviceable parts inside. Please refer all service questions to your authorized Velodyne dealer.

Prior to Installation

Please unpack the system carefully. Please save the carton and all packaging materials for future use. Record the serial number in the space provided on the warranty card for future reference.

PRODUCT FEATURES

SC-600 SUBWOOFER AMPLIFIER

- Amplifier: 400 watts dynamic/200 watts RMS high efficiency, Class A/B
- DSP-controlled
- Four selectable presets for customized listening mode
- Automatic 5-band room equalizer (microphone included)
- Night-mode setting
- Mute control
- Line-level (RCA) inputs and outputs
- Speaker-level inputs with 5 way binding post connections
- Signal sensing auto turn on/off (defeatable)
- Variable volume control
- Selectable phase control (0, 90, 180 or 270 degrees)
- Built-in adjustable (30-160 Hz) digital low-pass crossover with 24 dB/octave slope
- Driver Displacement Control software to prevent over excursion and amp clipping
- Blue power indicator LED
- RS-232 Serial Interface
- 12 Volt trigger
- Universal IR repeater mini-jack
- Automatically adjusted subsonic filter

SC-600 IW, SC-600 IF/IC SUBWOOFERS

SC-600 IW (In-Wall):

- Two high excursion 6.5" active drivers, two 12.5" x 3" oval passive radiators with ribbed rubber surround
- High-excursion rubber surround
- 2" dual layer inside/outside voice coil
- Frequency Response: 30 - 120Hz (+/- 3 dB)
- 4 ohm impedance

SC-600 IF/IC (In-Floor/In-Ceiling):

- 12" (9.7" piston diameter) subwoofer
- 2.5" dual layer inside/outside voice coil
- Oversized spider for linearity at high excursion
- High-excursion rubber surround
- Frequency Response: 25 - 120Hz (+/- 3 dB)
- 4 ohm impedance

SETUP CHECKLIST

Be sure to do the following to ensure the best performance from your subwoofer:

- If possible, optimize the placement of the subwoofer(s) in the listening area. See page 10 of the User's Manual.
- Install and wire the subwoofer per the instructions on pages 3 - 8.
- Select the proper model per the instructions on page 10.
- Select the proper volume control. See page 4.
- Be sure the low pass crossover is set correctly. See pages 8 - 9.
- Be sure to equalize the subwoofer using the microphone and Auto-EQ feature. See page 11.
- Be sure to set the phase control on the remote. See page 11.
- Select the correct preset for the source material. See page 13.

Your new Velodyne amplifier provides for a number of installation options. Read all the installation information below in order to determine which installation option is best for your system. Remember to perform all installation procedures with system power turned off.

INSTALLATION

FRONT PANEL CONTROLS AND DISPLAYS

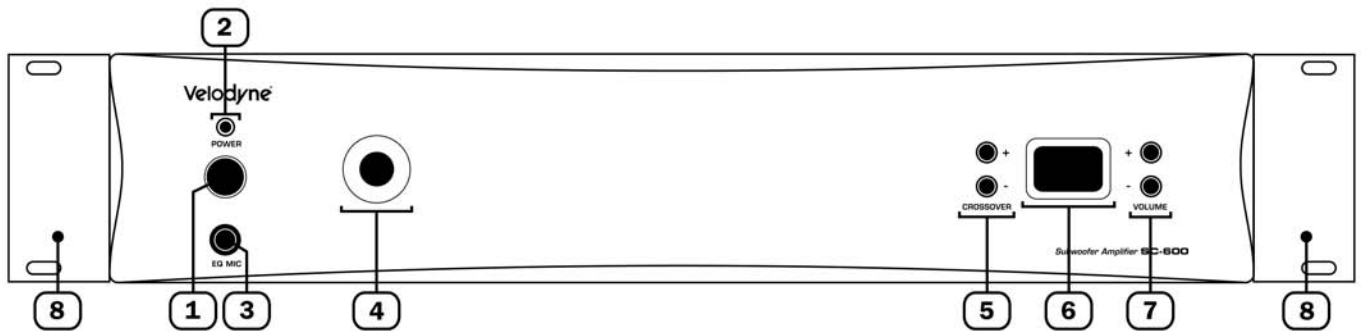


Figure 1: Front Panel Connections of the SC-600 amplifier.

Following are brief descriptions of the controls described in Figure 1. More detail on these controls can be found in the next section.

(1) Power Switch

This button forces your SC-600 amplifier into standby mode. The power LED turns amber, the numeric LED shuts off, and the amplifier puts out no power. The unit will remain in this mode until the POWER button is pressed again. To fully deactivate (i.e. power down) the unit, use the main power switch on the back panel.

(2) Power LED

This LED illuminates when the power is on. Blue is normal operation. It turns amber when the unit is in standby mode or the remote has been used to deactivate the unit, and dims when the unit is in night mode.

(3) Mic Input

Connect the supplied microphone for the Auto-EQ feature to this mini-jack input.

(4) Remote Eye

This is the eye that receives infrared commands from the supplied remote.

(5) Low-Pass Crossover

Use these up and down buttons to select the high-frequency range at which you wish to cut off the signal to the subwoofer. The frequency is indicated on the LED display briefly, then the display reverts to showing the subwoofer's volume level. The slope is fixed at 24 dB/octave. To deactivate the crossover, press BOTH the up and down crossover buttons at the same time – two dashes on the display indicate the crossover is deactivated and the woofer plays all frequencies presented to it. Please see page 8 for a more detailed discussion on crossovers.

(6) LED Numeric Indicator

This LED supplies information on volume, crossover, woofer type, and other information. The light button on the remote deactivates this display. Upon startup, the display shows the model of subwoofer the SC-600 amp is controlling, then reverts to the volume indicator.

(7) Volume Control

These buttons allow you to balance the output from the subwoofer to the main speakers in your system. The volume should be set to achieve similar volume level of both the main speakers and subwoofer. The default volume is 30.

Note: Volume can also be controllable by using the supplied remote.

WARNING: Some manufacturers preset their receivers with the Sub-Out (A.K.A. LFE) channel signal at a minimum level. It is very important to verify that your receiver Sub-Out channel is set to the same output level as your front right and left channels. Refer to your receiver manual for the individual channel level adjustment procedure. If your receiver Sub-Out channel is set too low, the subwoofer may appear to have a weak output, it may sound noisy or distorted, and the Auto On/Off feature may not operate properly.

(8) Optional Rack Mount Ears (Included)

These ears can be attached to the SC-600 amp to allow standard 19" rack mounting.

REAR PANEL CONNECTIONS

Following are brief descriptions described in Figure 2. More detail on these controls can be found in the next section.

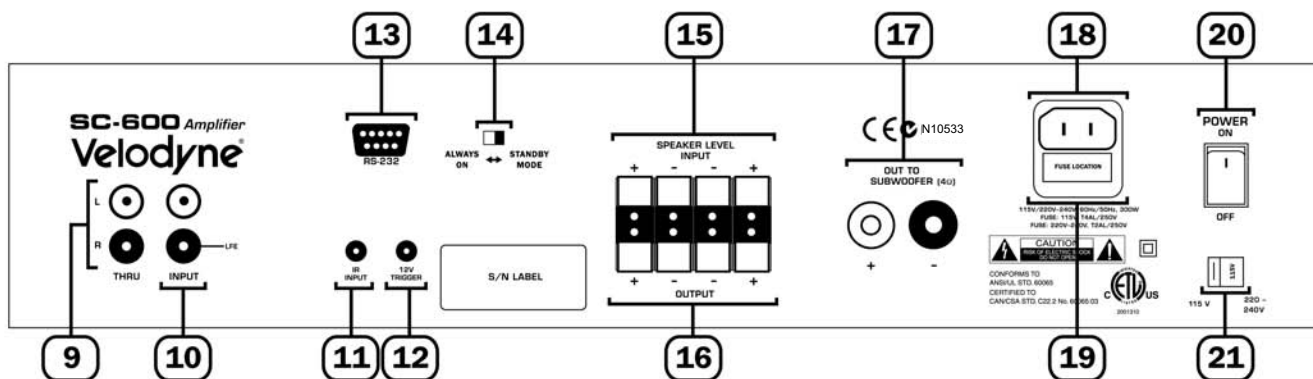


Figure 2: Rear Panel Connections of the SC-600 amplifier.

(9) Thru Jacks

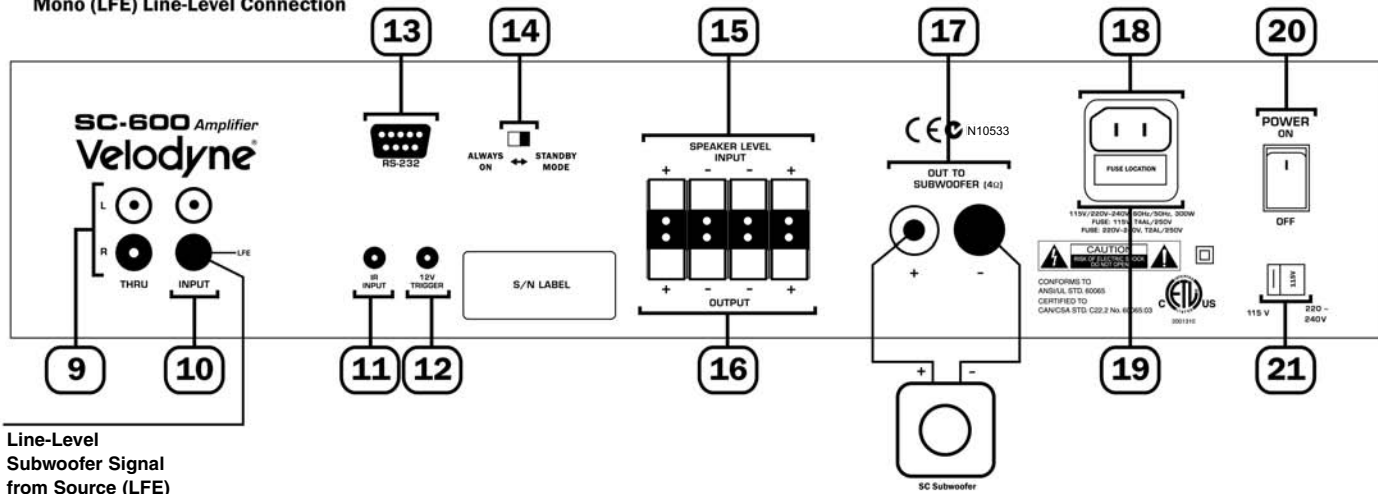
These RCA connectors are for passing along the same signal that goes into your subwoofer to a second “daisy-chained” system. The signal from these RCA connectors is the same as the input signal.

(10) Line Input / LFE Input

Connect these jacks to the LINE OUT preamp output, LFE output, or subwoofer output jacks of your receiver/processor. If using the LFE output from your receiver or processor, plug the single cable into the jack labeled LFE input or, for more signal, use a “Y” connector (optional) and feed the signal into both “R” and “L” inputs. Examples of these types of connections can be found in Figures 2A and 2B.

Option 1

Mono (LFE) Line-Level Connection



Line-Level
Subwoofer Signal
from Source (LFE)

Note: A "Y" Connector can be used as an option.

Figure 2A: Mono (LFE) Line-Level Connection.

Option 2

Stereo Line-Level Connection

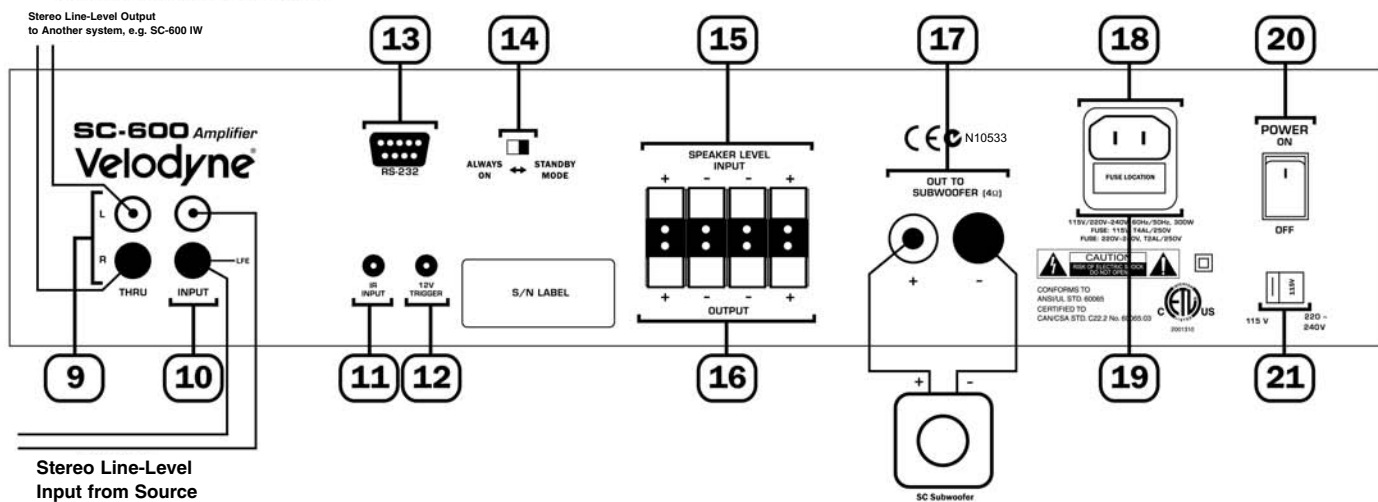


Figure 2B: Stereo Line-Level Connection.

(11) IR Input

An IR repeater can be connected to this mini-jack.

(12) 12V Trigger

When this mini-jack is connected, the unit remains in power-off mode until 12 volts is supplied across the two leads. Polarity is irrelevant.

(13) RS-232 In

Use this port to communicate with an RS-232 controlled touch panel system. See Appendix A for an explanation of the use of the serial port, available commands, and their formats.

(14) Signal Sensing Auto On/Off Switch

With this switch in the “standby” position, your subwoofer can be safely left with the main power switched on continuously. The subwoofer will turn itself on automatically when an audio signal is present. If no signal is present for approximately 10 minutes, the unit will switch to standby mode. While in standby mode, your subwoofer will draw very minimal power. This function can be disabled by leaving the switch in the “always on” position.

(15) Speaker Level Input Terminals

Connect these input terminals to the speaker output terminals of your amplifier or receiver. If you use this method of connection, when you go to the receiver speaker set up menu, make sure you select the “large” speaker option.

(16) Speaker Level Output Terminals

These connections send a crossed-over speaker-level signal to the front speakers. When connected in this fashion, your satellite speakers will be crossed over at 80 Hz. This removes the lower bass frequencies from your satellites, enabling them to do a better job reproducing high frequencies.

You may also connect your satellites directly to your receiver or amplifier along with the subwoofer if you wish to bypass this crossover.

An example of a speaker-level connection is shown in Figure 3.

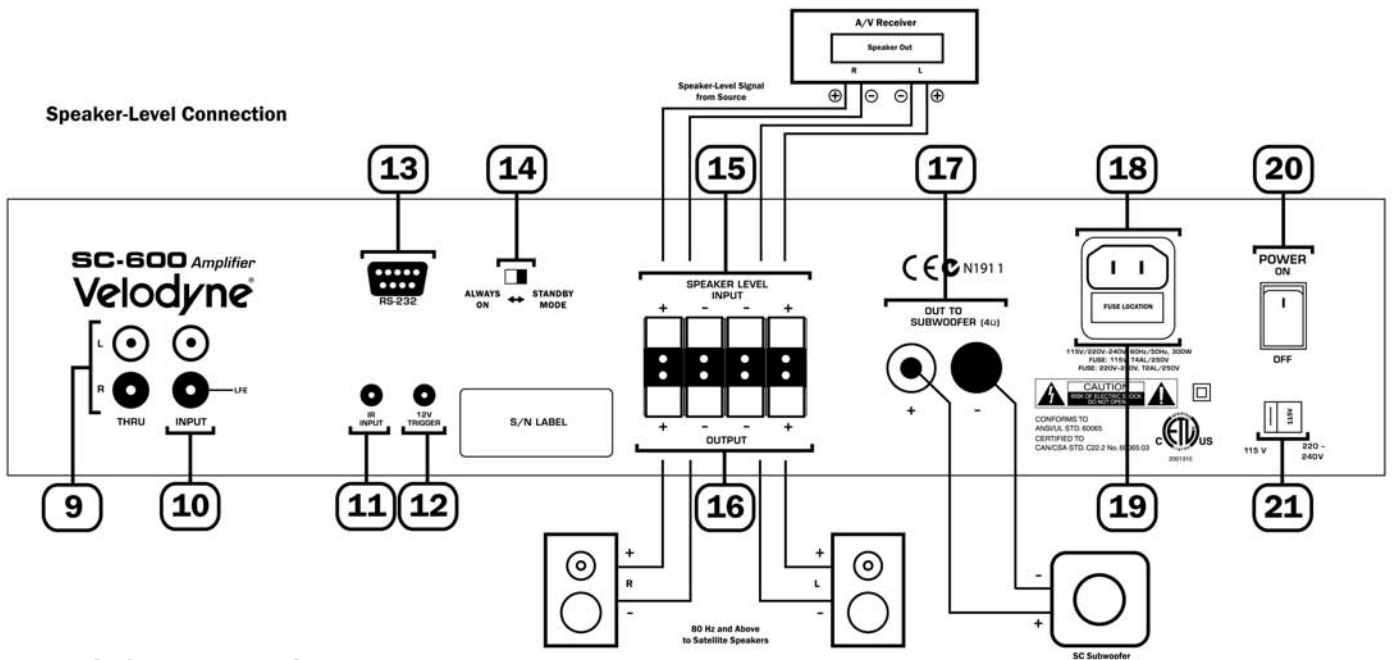


Figure 3: Speaker-Level Connection.

(17) Subwoofer Connection Terminals

Connect the output terminals to the subwoofer being controlled by the SC-600 amplifier. Only connect ONE subwoofer to the red/black pair of subwoofer output terminals - DO NOT connect multiple subwoofers to the terminals in any configuration.

Caution!!!

To avoid damage to your SC-600 amp and subwoofer, be sure to maintain correct polarity when making all speaker connections; red (positive) to red, and black (negative) to black. Be sure that all connections are tight, and that there are no loose strands or frayed wires.

(18) Power Cord Adapter

Connect the detachable power plug to this male interface connection. The detachable cord allows for easy replacement should the original become damaged.

(19) Fuse

If the unit is not functioning, check the fuse. If the fuse is blown, replace with an identically rated fuse. If the fuse blows again, refer the unit for service.

(20) Main Power Switch

Press the POWER switch to the ON position to activate the amplifier. If the unit is to be left unused for an extended period of time, move this switch to the OFF position to prolong the life of the amplifier.

(21) 115V or 230V Operation Selectable Switch

This selectable voltage switch is factory preset for the correct voltage in the geographical region in which the product is sold. To retain full Velodyne warranty coverage, this switch should ONLY be operated by a Velodyne factory authorized service representative during a FULL factory-authorized mains voltage change procedure. Should anyone other than a Velodyne factory authorized service representative attempt to perform a mains voltage change in any way, the warranty for the product will be terminated. In this case, Velodyne assumes no liability for any and all injuries to any persons involved, or for any property damage, whether to the subwoofer or any other property involved or damaged as a result of this unauthorized mains voltage change.

REAR PANEL CONNECTIONS – DETAILED EXPLANATION

The SC-600 amplifier is equipped with both speaker-level and line-level inputs. Use the RCA/Phono type “INPUT” jacks when connecting from a pre-amp, signal processor, or line-level crossover. The “SPEAKER LEVEL INPUT” jacks connect directly to the speaker outputs of an integrated amplifier or receiver. Your amplifier section will notice no additional loading effects when you use these inputs because of their high impedance.

Note: Do not use both the RCA/Phono “INPUT” connections and “SPEAKER LEVEL INPUT” connections simultaneously.

ABOUT LOW-PASS CROSSOVERS

All of the SC-600 amplifier inputs sum the left and right channels together and the resulting signal is passed through an adjustable low-pass crossover before being amplified. The crossover control allows you to adjust the upper limit of the subwoofer’s frequency response from 30 to 160 Hz. The subwoofer’s response will begin rolling off above the frequency you set this control to. The slope is 24 dB/octave.

You should set the crossover frequency to obtain a smooth and seamless transition from the subwoofer to the main speakers in your system. If your main speakers are smaller units with limited low frequency output, you may wish to choose a higher frequency (such as 100-120 Hz) than you would with larger speakers which have greater low frequency output. The SC-600 amp’s crossover has a default of 80 Hz.

Most receivers and processors provide an option to characterize main speakers as “large” or “small” speakers. This will affect the speaker’s crossover point. We recommend in most cases setting the main speakers to “small,” despite their size and frequency response characteristics. This is because the powerful 400 watt SC-600 amp combined with the SC-600 subwoofer you have acquired are more likely suited to low bass reproduction than your amp and main speaker. With the burden of low frequency reproduction relieved, your speakers will exhibit better performance.

Disabling the Low-Pass Crossover (Subwoofer Direct)

If your receiver/processor provides a crossover to the subwoofer, you may want to bypass /switch off the SC-600 amp’s low-pass crossover. To do this, depress BOTH the Crossover UP and Crossover DOWN buttons simultaneously. The numeric LED will show **••** indicating that the low-pass crossover has been defeated. To reactivate the low-pass crossover, simply push the crossover UP or crossover DOWN buttons.

A WORD ABOUT YOUR RECEIVER’S CROSSOVER AND THE SC-600 AMPLIFIER CROSSOVER

Your Velodyne SC-600 amplifier is designed to operate using the full range audio signal for input when using the built-in crossover. Many home theater processors/receivers have a “subwoofer out” jack that performs this same function and are designed to be used with a powered subwoofer.

In these installations, you may want to bypass the crossover in either the processor or the Velodyne SC-600 amplifier as described above. However, in some cases you may want to use BOTH crossovers. If you choose to do this you should stagger the frequencies, (i.e., 120 Hz subwoofer, 80 Hz processor) for best results.

Note: If not using an external crossover, you should use the built-in crossover for optimal performance. When using a single RCA sub out from the processor, it does not matter which line level input (L/R) is used.

A WORD ABOUT INTERCONNECT CABLES

When installing your Velodyne SC-600 amplifier using the line-level connections, you should always use high quality shielded interconnect cables. It is recommended that you keep the length of cable as short as possible to avoid any potential external interference problems.

When connecting the SC-600 amplifier to your subwoofer, use a quality speaker cable that is at least 14-gauge. Be very careful to avoid any loose or frayed strands that could result in a short, causing a dangerous condition and possible damage to your unit. Cables of extremely large size are typically not required. Extremely large gauge wire may not properly fit in the binding posts, resulting in a poor connection and possible short circuits.

A WORD ABOUT SUBWOOFER PLACEMENT

Subwoofers operate at extremely low frequencies, which are primarily omni-directional. Keep in mind that frequency response and output level can be drastically influenced by room placement, depending on the acoustic properties of the listening room. Typically, the optimum location for a subwoofer is in a front corner of your listening room. This location will usually offer the greatest output levels and optimum low frequency extension. Typically, a minimum distance of one to two feet from your TV to the subwoofer will be adequate to avoid any magnetic interference.





Remember that the built-in 5-band EQ will help to get the most performance out of your subwoofer no matter where it is placed.

Caution!

This amplifier is an electronic device. Do not place the amplifier next to sources of heat such as furnace registers, radiators, etc. Likewise, do not place the amplifier near sources of excessive moisture, such as evaporative coolers, humidifiers, etc. The power cord should be routed in such a way that it will not be walked on, pinched or compressed in any way that could result in damaging the insulation or wire.

SELECTING THE SUBWOOFER TO BE CONTROLLED

Your SC-600 amplifier can control the Velodyne SC-600 Series subwoofers as well as generic passive subwoofers. Special internal software settings are designed to maximize performance and reliability depending on the model of subwoofer being controlled, so it is important to match the SC-600 amplifier with the subwoofer it is controlling. The SC-600 amplifier comes with a default setting for the SC-600 IW subwoofer. When the unit is first powered up, the model being controlled is displayed for two seconds on the numeric LED before the display reverts to the volume setting. The subwoofer to be controlled is shown as follows:

Model	LED Display
SC-600 IW (In-Wall)	
SC-600 IF (In-Floor)	
SC-600 IC (In-Ceiling)	
Generic Subwoofer	

Note: Both the IF and the IC settings control the SC-600 In-Floor/In-Ceiling (IF/IC) subwoofer and have identical internal settings.

To change the subwoofer to be controlled, first power down the amplifier using the main power switch on the back panel (DO NOT use the power button on the front panel). Then, turn the switch on while depressing any of the buttons on the front panel (crossover up or down, or volume up or down). The unit will show the model it is currently controlling. To change the model, simply push the crossover up or crossover down buttons and the model changes on the LED display. Once the desired model is seen on the LED display, simply release the button. You don't need to do anything else - the model to be controlled is automatically stored in the SC-600 amp's memory. To exit model selection mode, use the main power switch on the back panel to power down and power up the unit. You should see the model you selected for two seconds on the LED display before the display reverts to the volume.

Note: The SC-600 amplifier can control only one subwoofer at a time, either the SC-600 IW or SC-600 IF/IC.

USAGE

This section addresses day-to-day usage of your SC-600 amplifier.

Remote Control

The features of the SC-600 remote control are listed below.

- **POWER** — This button forces your SC-600 amplifier unit into standby mode. The power LED turns amber, the numeric LED shuts off, and the amplifier puts out no power. The unit will remain in this mode until the POWER button is pressed again. To fully deactivate (i.e. power down) the unit, use the main power switch on the back panel.

Note: The master power switch on rear panel must be on in order for the front power button to function.

- **MUTE** — This button mutes the subwoofer's output. The LED on the amplifier will show OO if the unit is muted. To unmute the subwoofer, press the MUTE button again and the original volume setting shows on the LED.
- **EQ** — This button automatically EQs the subwoofer using a 5-band internal graphic equalizer. To use this feature, first plug the supplied microphone into the Mic-In jack on the front panel of the amplifier and place the mic in your preferred listening position. Then press EQ on the remote for about 2-3 seconds. The subwoofer emits 12 "sweep tones" that cover the frequencies between 20 and 150 Hz. The LED displays "AU" during the Auto-EQ process. After the sweeps are complete, the unit saves its EQ settings and returns to normal operation. To prevent accidental invocation of the EQ feature, you must hold down the EQ button for 2-3 seconds before the EQ sweeps begin.

Note: Each time the EQ feature is utilized, the EQ settings for the SC-600 amplifier are reset. If the microphone is not plugged in, the SC-600 amplifier will emit one or two sweep tones then cease the EQ operation. In this case, the previous EQ settings will be preserved.

- **PHASE** — These buttons allow you to optimize the subwoofer performance for the location and your listening position. Play some bass heavy music. While listening, push one of the four phase buttons, listen for a few moments, and then press the next phase button. In most installations, one of the four button positions will offer an audibly better blend of subwoofer and speakers. Selecting the correct phase position is just that easy. The LED will show the phase selected by showing "PH" followed by the phase number: 0, 90, 180 or 270.
- **LIGHT** — If you wish, you can deactivate the numeric LED on your SC-600 amplifier. To do this, press the LIGHT button on your remote. To reactivate the LED, press the LIGHT button again.
- **NIGHT** — Night mode limits the maximum output of the subwoofer for late night listening or to be more considerate of close neighbors. Press the night button to turn the night mode feature on or off. Night mode, when active, will reduce the brightness of the blue LED.
- **VOLUME CONTROL** — This control allows you to balance the output from the subwoofer to the main speakers in your system. This control should be set to achieve similar volume level of both the main speakers and subwoofer. When pressing volume up or down, the volume level is shown on the numeric LED on the front panel.



Figure 5: SC-600 Remote.

WARNING: Some manufacturers preset their receivers with the Sub-Out channel signal at a minimum level. It is very important to verify that your receiver Sub-Out channel is set to the same output level as your front right and left channels. Refer to your receiver manual for the individual channel level adjustment procedure. If your receiver Sub-Out channel is set too low, the subwoofer may appear to have a weak output, it may sound noisy or distorted, and the Auto On/Off feature may not operate properly.

Note: The volume can also be adjusted via the volume buttons on the front panel of the amplifier. These buttons have the same effect as pressing the up and down volume buttons on your remote.

- **PRESETS** — There are four presets, consisting of Movies, R&B – Rock, Jazz – Classical, and Games. As a preset is chosen, the preset is shown on the numeric LED as P1 for preset 1, P2 for preset 2, etc. The presets provide the following characteristics for bass reproduction:

Movies: Maximum output and impact for explosions and other action adventure movie content.

R&B – Rock: Provides the driving bass found in today's rock music.

Jazz – Classical: The tightest, cleanest, lowest distortion bass. The flattest frequency response of the four presets.

Games: Maximum loudness available for the impact of video games.

Each preset has its own characteristics with respect to subsonic filter, volume differential and a single contour equalizer in order to optimize the listening mode for the preset.

The following table indicates musical style and which preset is recommended for it.

MUSICAL STYLE	SUGGESTED PRESET
Action Adventure Movies	Movies
Country – Rock	R&B – Rock
Country – Soft	Jazz – Classical
Folk	Jazz – Classical
Indie Music	R&B – Rock
Pop	R&B – Rock
Rock	R&B – Rock
Alternative Rock	Jazz – Classical
Blues	Jazz – Classical
Broadway and Vocalists	Jazz – Classical
Children’s Music	Jazz – Classical
Christian and Gospel	Jazz – Classical
Classic Rock	R&B – Rock
Classical	Jazz – Classical
Dance and DJ	R&B – Rock
Hard Rock/Heavy Metal	R&B – Rock
Latin Music	R&B – Rock
Miscellaneous	Jazz – Classical
Movies – Non-Action Adventure	Jazz – Classical
New Age	Jazz – Classical
Opera and Vocal	Jazz – Classical
R&B	R&B – Rock
Rap and Hip-Hop	R&B – Rock
Soundtracks	R&B – Rock or Jazz – Classical
Video Games	Games

RESTORING DEFAULTS

There is a feature that allows you to restore default settings for your SC-600 amplifier. By pressing presets in EXACTLY the following order on the remote, the unit's power light will blink indicating that you have restored defaults.

Preset 1: Movies
Preset 2: R&B – Rock
Preset 3: Jazz – Classical
Preset 4: Games
Preset 4: Games
Preset 3: Jazz – Classical
Preset 2: R&B – Rock
Preset 1: Movies

When you press the presets in the above order, the numeric LED will display "P3" indicating that you have restored defaults. The unit's volume is reset to level 30 out of 80.

CARE OF YOUR AMPLIFIER AND SUBWOOFER

Do not use any harsh detergents or chemicals to clean the SC-600 chassis or the subwoofer cabinet. Abrasives, detergents, or cleaning solutions will damage the finish on the SC-600 chassis or the subwoofer cabinet. We recommend using a damp cloth to clean the front, back and sides.

During normal conditions, the amplifier may be left on continuously without any problems. If you plan to leave the unit unused for an extended period of time, we recommend that you turn off the unit by the master power switch on the front panel.

TROUBLESHOOTING AND SERVICE

Before seeking service for your amplifier or subwoofer, please re-check all systems. Following is a simple troubleshooting guide to assist you.

1. Verify that the unit is plugged in and power outlet used is active.
2. Is the power switch on?
3. Is the unit receiving an input signal from your source?
4. Have all controls on the amplifier (volume, crossover, phase, etc.) been properly set?
5. If the unit has been running at high levels, one of the protection circuits may be engaged. Has the amplifier overheated?
6. Has the power button been depressed on the remote?
7. Is the remote non-responsive? We recommend replacing the batteries in the remote.

If the protection circuitry is active, the unit may cycle on and off until operating parameters return to normal. Under more serious conditions, the unit may shut off completely. Normal operation should return upon cooling, but you may be required to turn the power off and then on again to reset the unit.

The following conditions require service by a qualified technician:

1. The power cord has become damaged
2. The unit does not appear to operate normally or exhibits a marked change in performance
3. The unit has been exposed to water
4. Some part of the chassis or circuitry is physically damaged

Thank You for Purchasing an SC-600 Amplifier!

SPECIFICATIONS

Specification	SC-600 Subwoofer Amplifier
Amplifier: (Class A/B)	400 watts Dynamic 200 watts RMS Power
High Pass Crossover:	80Hz (6 dB/octave)
Low Pass Crossover:	30Hz-160Hz, Defeatable, 24 dB/octave slope
Inputs:	Line and Speaker Level
Outputs:	Line-level, 80 Hz up, speaker level
Phase:	0°, 90°, 180°, 270°
Dimensions (H/W/D): (inc. feet & grille)	4.25" x 17.0" x 13.0" (11 x 43 x 33 cm) **Allow two extra inches in depth for wire connectors and power cable. **Includes feet. Feet can be removed for rack mount use. Unit is approximately "two rack units" high.
Warranty: (parts/labor)	Three years (electronics - parts and labor), Five years (drivers - parts and labor)
Shipping Weight: (approx.)	25 lbs. (22.7 Kg)

The following subwoofers are designed to work with the SC-600 amplifier:

Specifications	SC-600 IW (In-Wall)	SC-600 IF/IC (In-Floor/In-Ceiling)
Woofer:	Two 6.5" active drivers Two 12.5" x 3" passive radiators	12" (9.7" piston diameter) subwoofer
Frequency Response: (+/-3 dB)	37-120Hz	25-120Hz
Harmonic Distortion:	<5% (typical)	<5% (typical)
Magnet Structure:	64 oz (4 lbs) each active / 128 oz (8 lbs) total	56 oz. (3.5 lbs.)
Voice Coil:	2" Dual Layer inner/outer wind	2.5" Dual layer inner/outer wind
Dimensions (H/W/D): (inc. feet & grille)	16.5" x 14.25" x 3.75" (42 x 36 x 10 cm) **excludes grilles, mounting tabs, etc.	9.3" x 14.0" x 34" (24 x 36 x 86 cm) **Allow 1-2 extra inches in depth for wire
Cabinet:	Active/Passive	Slotted bass reflex enclosure
Warranty: (parts/labor)	Three years (electronics - parts and labor), Five years (drivers - parts and labor)	Three years (electronics - parts and labor), Five years (drivers - parts and labor)
Shipping Weight: (approx.)	22 lbs. (9 Kg)	40 lbs. (18 Kg)

APPENDIX A: RS-232 SERIAL OVERVIEW AND COMMANDS

Introduction

This document outlines Velodyne's SubContractor (SC) RS-232 protocol specification. This protocol indicates how SC products receive run-time commands from devices such as Creston Universal Remote Controls.

Com Port Setup

Use standard communications settings: Baud Rate: 9600, Data Bits: 8, Parity: None, Stop Bits: 1

SC IN and OUT Port Pin Configuration

SC serial ports use a standard configuration that allows direct connection to a PC via a FEMALE to MALE serial cable. It uses only three pins (Transmit, Receive, Ground).

The pin configurations are:

IN: Pin 2 = Transmit
Pin 3 = Receive
Pin 5 = Ground

OUT: Pin 2 = Receive
Pin 3 = Transmit
Pin 5 = Ground

Runtime Command Format

Byte Number	Byte Description	Notes
0	'#'	Header Character
1 to 3 or 4	Command and Parameter Data	3 to 4 ASCII characters see formats below Case sensitive - CAPS ONLY!
4 or 5	'\$'	Termination Character (required or command is ignored)

RS232 Commands

Activity	Command Format	Acceptable n Values	Example(s)	Comments
Volume Control	#VO _{nn} \$, #VO+\$, #VO-\$, #VO? \$	00 – 80	#VO25\$, #VO+\$, #VO-\$, #VO? \$	Sets volume to a value, increments volume up or down, or requests current volume setting
Preset Control	#PS _n \$, #PS? \$	1, 2, 3, 4	#PS1\$, #PS2\$, #PS3\$, #PS4\$, #PS? \$	Activates the indicated preset, or requests the current preset
Logo Light Control	#LT _n \$, #LT? \$	0: Light Off 1: Light On	#LT0\$ #LT1\$ #LT? \$	Turns the Logo Light on or off, or requests light state
Night Mode Control	#NM _n \$, #NM? \$	0: Night Mode Off 1: Night Mode On	#NM0\$ #NM1\$ #NM? \$	Activates/Deactivates Night Mode, or requests light mode state
Mute Control	#MU _n \$, #MU? \$ #MU0\$	0: Mute Off 1: Mute On	#MU1\$ #MU? \$	Mutes/Unmutes the woofer, or requests mute state
Power Control	#JU _n \$, #JU? \$	0: Power Off 1: Power On	#JU0\$ #JU1\$ #JU? \$	Powers On/Powers Off the woofer, or requests power state

115 - 120V

DD® Series

DD-10
DD-12
DD-15
DD-18

*Digital Drive 1812
Signature Edition*

DEQ-R Series

DEQ-8R
DEQ-10R
DEQ-12R
DEQ-15R

DLS™-R Series

DLS-3500R
DLS-3750R
DLS-4000R
DLS-5000R

Impact Series

Impact-Mini
Impact-10
Impact-12

MicroVee™

MiniVee®

MiniVee® 10

Optimum Series

Optimum-8
Optimum-10
Optimum-12

SMS™-1

**SubContractor™
Series**

SC-1250
SC-10
SC-12

SC-15
SC-IW
SC-IF/IC
SC-600 Amp
SC-600 IW
SC-600 IF/IC

VX Series

VX-10®

220 - 240V

DD® Series

DD-10
DD-12
DD-15
DD-18

*Digital Drive 1812
Signature Edition*

CHT-Q Series

CHT-8Q
CHT-10Q
CHT-12Q
CHT-15Q

Impact Series

Impact-Mini
Impact-10
Impact-12

MicroVee™

SMS™-1

SPLi Series

SPL-800i
SPL-1000i

SPL-Ultra Series

SPL-800 Ultra
SPL-1000 Ultra
SPL-1200 Ultra

**SubContractor™
Series**

SC-1250
SC-10
SC-12
SC-15

SC-IW
SC-IF/IC
SC-600 Amp
SC-600 IW
SC-600 IF/IC

VX-10 Series II

FOR YOUR RECORDS. . .

Date Purchased _____

Dealer _____

Serial # _____

**NOTE: Please complete and return your warranty card within ten (10) days or*

Register. . . ON LINE . . . It's faster . . . and easier

www.velodyne.com

LIMITED WARRANTY - U.S. AND CANADA ONLY

VELODYNE ACOUSTICS, Inc. ("VELODYNE") warrants all electronics for a period of three years, drivers for a period of five years, and full range speakers for a period of five years. All VELODYNE products have a warranty from the date of purchase against defects in materials and workmanship subject to the following conditions:

1. VELODYNE is not responsible for defects which result from the use of an amplifier or controller other than the one originally supplied with the unit (subwoofer) or defects which result from modifications or repairs made by any component of the system by anyone other than a VELODYNE factory authorized service representative.
2. This warranty is void if any repairs or service covered by the terms of this warranty are made to any component of the system by anyone other than a VELODYNE factory authorized service representative.
3. VELODYNE is not responsible for damage caused by accidents, abuse, misuse, natural or personal disaster or unauthorized modification. The VELODYNE products are not intended for professional or commercial use and VELODYNE is not responsible for damage resulting from such use.
4. The VELODYNE product warranty is limited to units that are purchased from authorized VELODYNE dealers and finalized within authorized dealer locations.
5. This warranty is nontransferable under any condition.
6. Use of this product outside the U.S. and Canada voids this warranty.

TO OBTAIN SERVICE

Information regarding service may be obtained from the dealer from whom you purchased the unit, or by contacting VELODYNE customer service. Warranty service must be performed by a VELODYNE factory authorized service representative within the warranty period set forth above. If VELODYNE determines the unit is defective, VELODYNE will, at VELODYNE's option, repair or replace the product at no charge if the product is forwarded prepaid to a factory authorized service representative. Products forwarded to the factory authorized service representative should be shipped securely and properly packaged, insured and freight prepaid.

WARRANTY OUTSIDE THE UNITED STATES AND CANADA

The Warranty of this product if it is sold to a consumer outside of the United States or Canada shall comply with applicable law and shall be the sole responsibility of the distributor that supplied this product. To obtain any applicable warranty service, please contact the dealer from which you purchased this product, or the distributor that supplied this product.

Velodyne Acoustics, Inc.

345 Digital Drive
Morgan Hill, CA 95037

408.465.2800 voice
408.779.9227 fax
408.779.9208 service fax

www.velodyne.com
Service E-mail: service@velodyne.com
Product E-mail: help@velodyne.com
Technical E-mail: techhelp@velodyne.com



63-SC600 RevB DEC 2008