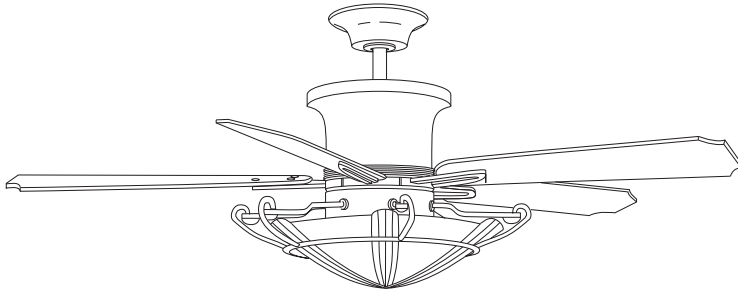


# **READ AND SAVE THESE INSTRUCTIONS**



**EMERSON**<sup>TM</sup>

## **BRIDGETON**<sup>TM</sup> Ceiling Fan Owner's Manual

### **Model Numbers**

**CF180AP00**

**Antique Pewter with Natural  
Cherry/Mahogany Blades**

**CF180GES00**

**Golden Espresso with  
Teak/Natural Pine Blades**

Net Weight: 30.9 Lbs.


**WARNING**

**WARNING:** To avoid fire, shock, and serious personal injury, follow these instructions.

### Safety Instructions

1. Read your owner's manual carefully and keep it for future reference.
2. Before servicing or cleaning unit, switch power off at service panel and lock service panel disconnecting means to prevent power from being switched on accidentally. When the service disconnecting means cannot be locked, securely fasten a warning device, such as a tag, to the service panel.
3. Be careful of the fan and blades when cleaning, painting, or working near the fan. Always turn off the power to the ceiling fan before servicing.
4. Do not put anything into the fan blades while they are turning.
5. Do not operate reversing switch until fan blades have come to a complete stop.

### Additional Safety Instructions for Installation

1. To avoid possible shock, be sure electricity is turned off at the fuse box before wiring, and do not operate fan without blades.
2. The installation is to be in accordance with the National Electrical Code, ANSI/NFPA 70-1999 and Local Electrical Codes. Use the National Electrical Code if Local Codes do not exist. The ceiling fan must be grounded as a precaution against possible electrical shock. Electrical installation should be made or approved by a licensed electrician.
3. The outlet box and joist must be securely mounted and capable of reliably supporting at least 50 pounds. Use only U.L. outlet boxes listed as "Acceptable for Fan Support", and use the mounting screws provided with the outlet box. Most outlet boxes commonly used for support of light fixtures are not acceptable for fan support and may need to be replaced. Consult a qualified electrician if in doubt.
4. The downrod furnished with the fan provides the minimum recommended floor to fan blade clearance for a 8 foot ceiling.
5. The fan must be mounted with the fan blades at least 7 feet from the floor to prevent accidental contact with the fan blades.
6. Follow the recommended instructions for the proper method of wiring your ceiling fan. If you do not know enough about electrical wiring, have your fan installed by a licensed electrician.

**NOTE:** This fan is suitable for use with solid-state speed controls.

**WARNING:** To reduce the risk of fire or electric shock, this fan should only be used with fan speed control Model No. UC7067RC, manufactured by Rhine Electric Co., Ltd.

**WARNING:** This product is designed to use only those parts supplied with this product and/or any accessories designated specifically for use with this product by Emerson Electric Co. Substitution of parts or accessories not designated for use with this product by Emerson Electric Co. could result in personal injury or property damage.

**WARNING:** To reduce the risk of personal injury, do not bend the blade flange when installing the blade flanges, balancing the blades or cleaning the fan. Do not insert foreign objects in between rotating fan blades.

**WARNING:** To reduce the risk of electrical shock, this fan must be installed with an isolating wall control/switch.

**DATE CODE:** \_\_\_\_\_

The date code of this fan may be found on the box, stamped in ink on a white label. You should record this data above and keep it in a safe place for future use.

## This Manual Is Designed to Make it as Easy as Possible for You to Assemble, Install, Operate and Maintain Your Ceiling Fan

### Tools Needed for Assembly

- One Phillips head screwdriver
- One wire stripper
- Six wire connectors (supplied)
- Three 60-watt (max.) candelabra base bulbs

### Materials

Wiring, outlet box and box connectors must be of type required by the local code. The minimum wire would be a 3-conductor (2-wire with ground) of the following sizes:

Installed Wire Length	Wire Size A.W.G.
Up to 50 ft.	14
50-100 ft.	12

### Unpacking Instructions

For your convenience, check-off boxes are provided next to each step. As each step is completed, place a check mark in the box. This will insure that all steps have been completed and will be helpful in finding your place should you be interrupted.

**⚠ WARNING**

Do not install or use fan if any part is damaged or missing. Call Toll-Free:

**1-800-654-3545**

**⚠ WARNING**

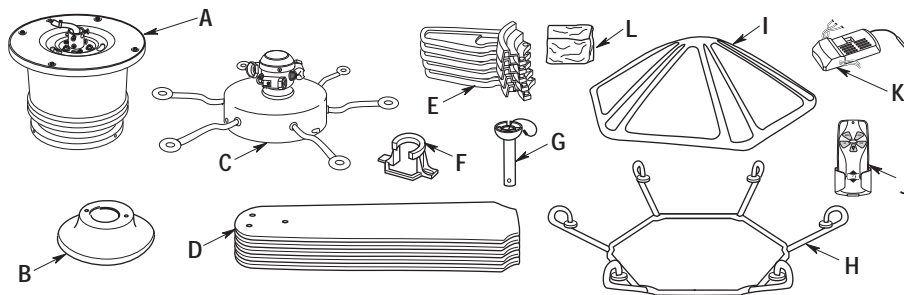
This product is designed to use only those parts supplied with this product and/or any accessories designated specifically for use with this product by Emerson Electric Co. Substitution of parts or accessories not designated for use with this product by Emerson Electric Co. could result in personal injury or property damage.

1. Open styrofoam unit containing fan. Remove top half of styrofoam unit. Remove parts and check to see that you have received the following parts:

**NOTE: If you are uncertain of part description, refer to exploded view illustration.**

- a. Fan motor and housing assembly
- b. One ceiling cover
- c. One adapter/light fitter assembly
- d. Five fan blades
- e. Five blade flanges
- f. One hanger bracket
- g. One hanger ball/downrod assembly
- h. One lower ring assembly (with six ring screws attached)
- i. One lower glass
- j. One remote control transmitter
- k. One remote control receiver
- l. One loose parts bag, containing:
  1. Two 1-1/4" threaded studs
  2. Two knurled knobs
  3. Two lockwashers
  4. Seven wire connectors
  5. One hairpin clip
  6. One clevis pin
  7. Eleven 1/4-20 x 11mm pan head screws with lockwashers
  8. Sixteen 10-24 x 9mm truss head screws
  9. Sixteen fiber washers
  10. Four 8-32 x 12mm pan head screws

**NOTE: Place the parts from the loose parts bags in a small container to keep them from being lost. If any parts are missing, contact your local retailer or catalog outlet for replacement before proceeding.**



- 2. Remove the fan motor and housing assembly from the protective plastic bag. Place the fan assembly into the lower foam pad with the bottom of the motor facing up.

The lower foam pad serves as a holder for the fan during the first stages of assembly.

## General

Your Emerson ceiling fan comes equipped with a remote control transmitter and a remote control receiver. This remote control system is designed to control your ceiling fan speed and light intensity.


**NOTE: An optional SW101 Wall Control (not supplied) may also be used with the remote control receiver supplied with your ceiling fan.**

## IMPORTANT

This Owner's Manual is divided into two sections. The first section, **REMOTE CONTROL PROCEDURES**, describes how to install the 9-volt alkaline battery (not supplied) in the remote control transmitter, and how to set the operating frequency of the transmitter and receiver. These instructions must be performed prior to the installation of the ceiling fan as described in the second section, **CEILING FAN PROCEDURES**.

## REMOTE CONTROL PROCEDURES

### General

The remote control system is designed to separately control your ceiling fan and light intensity. There are four push buttons on the transmitter (HI, MED, LOW, OFF) to set the fan speed and turn the fan off. The light  push button turns the light on and controls the light intensity. The red indicator light will illuminate while any button is pressed, indicating that the battery is good.

## Preset Memory Feature

Your remote control receiver is equipped with a preset memory feature. The receiver will remember the light intensity and fan speed when the light and fan are turned off from the wall switch. When the wall switch is turned back on, the lights and fan will resume operation as they were prior to the switch being turned off.

## Installation of Battery

- 1. Remove the battery cover by pressing firmly below the arrow and sliding the cover off the control (Figure 1).
- 2. Engage the connector in the transmitter with the terminals of a 9-volt alkaline battery (not supplied).

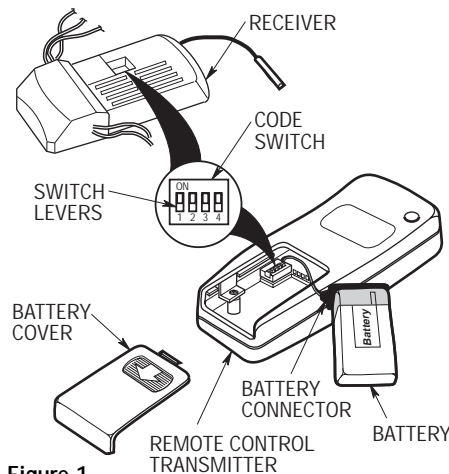


Figure 1

## Setting Operating Frequency of Transmitter and Receiver

Your remote control transmitter and receiver have code switches which must be set on one of 16 possible code combinations. The four levers (numbered 1, 2, 3, and 4) on the switches are factory-set in the ON (up) position. Do not use this setting. Change the switch settings as follows:

- 1. On the remote control transmitter, locate the code switch just above the battery compartment (Figure 1).

- 2. Slide the four switch levers on the code switch to your choice of ON (up) or down positions. Use a ball-point pen or small screwdriver and slide the levers firmly up or down.
- 3. In the receiver (Figure 1), slide the four switch levers to the same positions as set in the transmitter. Make sure the levers on both switches are in the same positions, otherwise the fan will not operate.
- 4. Position the battery in the transmitter battery compartment and replace the battery cover.

## CEILING FAN PROCEDURES

### Electrical Requirements

Your new ceiling fan will require a grounded electrical supply line of 120 volts AC, 60 Hz, 15 amp circuit.

The outlet box must be securely anchored and capable of withstanding a load of at least 50 pounds.

#### **⚠ WARNING**

**To reduce the risk of fire, electric shock, or personal injury, mount fan to outlet box marked "Acceptable for Fan Support", and use screws supplied with outlet box. Most outlet boxes commonly used for support of light fixtures are not acceptable for fan support and may need to be replaced. Consult a qualified electrician if in doubt.**

#### **⚠ WARNING**

**To avoid possible fire or shock, follow all wiring instructions carefully. Any electrical work not described in these instructions should be done or approved by a licensed electrician.**

If your fan is to replace an existing ceiling light fixture, turn electricity off at the main fuse box at this time and remove the existing light fixture.

#### **⚠ WARNING**

**Turning off wall switch is not sufficient. To avoid possible electrical shock, be sure electricity is turned off at the main fuse box before wiring. All wiring must be in accordance with National and Local codes and the ceiling fan must be properly grounded as a precaution against possible electrical shock.**

## How to Assemble Your Ceiling Fan

- 1. Remove the hanger ball by loosening the setscrew in the hanger ball until the ball falls freely down the downrod (Figure 2). Remove the pin from the downrod, then remove the hanger ball. Retain the pin and hanger ball for reinstallation in step 5.

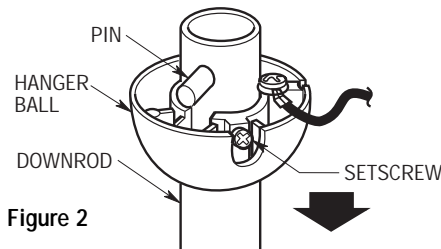


Figure 2

- 2. Unscrew the two upper setscrews (Figure 3) until they clear the inside of the motor coupling. Then separate, untwist and unkink the three 80" motor leads. Route the motor lead wires through the downrod. Align the clevis pin holes in the downrod with the holes in the motor coupling. Install the clevis pin and secure with the hairpin clip (Figure 3). The clevis pin must go through the holes in the motor coupling and the holes in the downrod. Be sure to push the straight leg of the hairpin clip through the hole near the end of the clevis pin until the curved portion of the hairpin clip snaps around the clevis pin. The hairpin clip must be properly installed to prevent the clevis pin from working loose. Pull up on the downrod to make sure the clevis pin is properly installed.

**⚠ WARNING**  
**It is critical that the clevis pin in the motor coupling is properly installed and the setscrews securely tightened. Failure to verify that the pin and setscrews are properly installed (as shown in Figure 3) could result in the fan falling.**

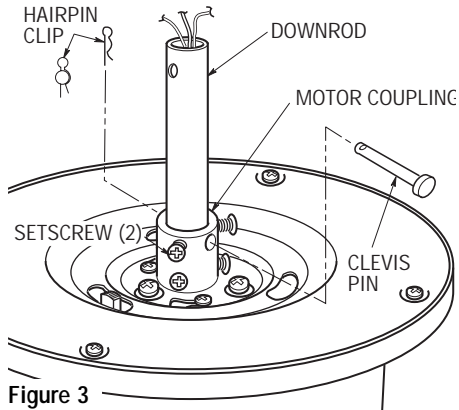


Figure 3

- 3. Tighten the setscrews (Figure 3) securely while pulling up on the downrod.

**NOTE: The setscrews must be properly installed as described above, or fan wobble could result.**

- 4. Place the ceiling cover over the downrod as shown in Figure 4.

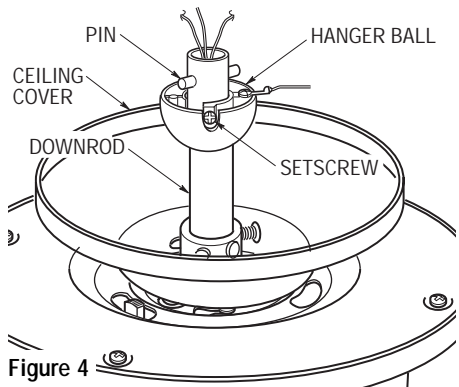


Figure 4

- 5. Reinstall the hanger ball (Figure 4) on the downrod as follows. Route the three 80" motor leads through the hanger ball and slide the hanger ball over the downrod. Position the pin

through the two holes in the downrod and align the hanger ball so the pin is captured in the groove in the top of the hanger ball. Pull the hanger ball up tight against the pin and securely tighten the setscrew in the hanger ball. A loose setscrew could create fan wobble.

**⚠ WARNING**  
**It is critical that the pin in the hanger ball is properly installed and the setscrew securely tightened. Failure to verify that the pin and setscrew are properly installed could result in the fan falling.**

- 6. The fan comes with blue, black, and white leads that are 80" long. Before installing the fan, measure up approximately 6 to 9-inches above top of hanger ball/downrod assembly. Cut off excess leads and strip back insulation 1/2" from end of leads.

- 7. Mount the fan blades to the blade flanges using four 10-24 x 9mm truss head screws and four fiber washers (supplied) (Figure 5).

**⚠ WARNING**  
**To reduce the risk of personal injury, do not bend the blade flange when installing the blade flanges, balancing the blades or cleaning the fan. Do not insert foreign objects in between rotating fan blades.**

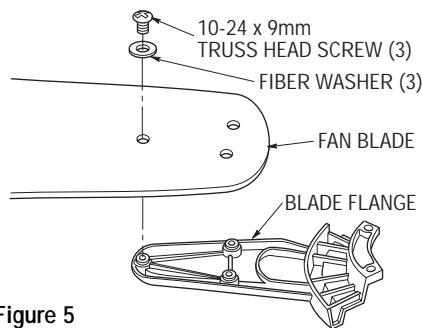


Figure 5



- 8. Turn the fan motor and housing assembly upside down in preparation for mounting the fan blade assemblies. Remove and discard the three shipping retainers securing the motor hub in the motor housing.

**NOTE: Take care not to scratch the fan housing when installing the blade assemblies.**

- 9. Insert a 1/4-20 x 11mm pan head screw with lockwasher (supplied) into each of the recessed holes in one of the blade flanges.
- 10. Align one of the threaded holes in the motor hub with one of the slots in the adapter plate (Figure 6). Position the blade flange on the motor hub so one of the screws in the blade flange aligns with this threaded hole. Loosely tighten the screw. Rotate the motor hub until the other flange screw can be tightened through the slot of the adapter. Repeat this procedure for the remaining four blade assemblies, then securely tighten all the screws.

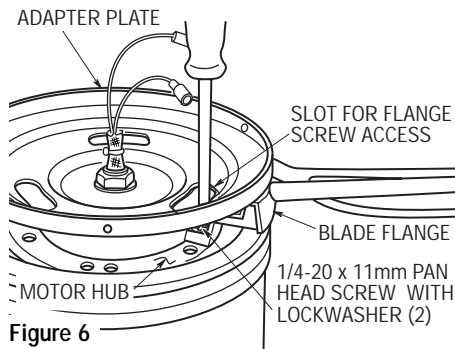


Figure 6

- 11. Connect the white wire from the light fitter to the white wire from the motor (Figure 7). Connect the black wire from the light fitter to the black wire from the motor. Make sure both connectors are securely engaged.

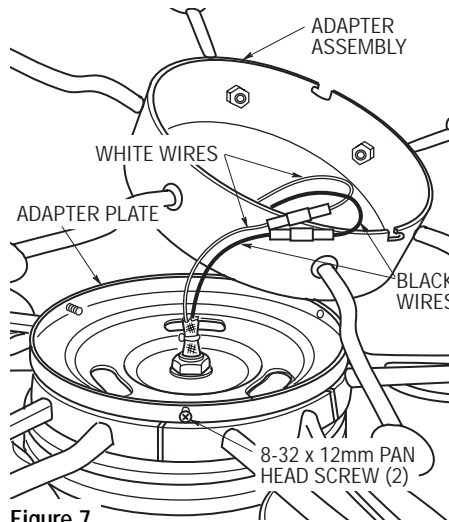


Figure 7

- 12. Partially install two 8-32 x 12mm pan head screws (supplied) in two of the threaded holes in the rim of the adapter plate (Figure 7).
- 13. Position the two slots in the adapter/light fitter assembly over the two 8-32 x 12mm screws in the rim of the adapter plate (Figure 8). Turn the adapter/light fitter assembly counter-clockwise and tighten the screws.

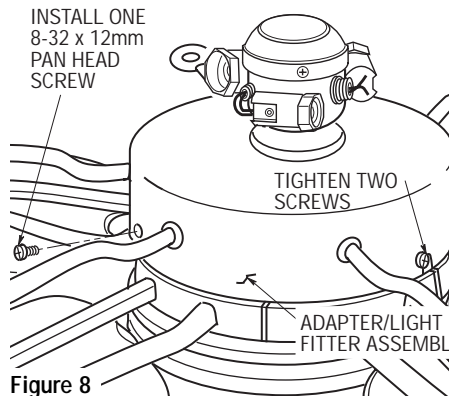


Figure 8

- 14. Install another 8-32 x 12mm pan head screw in the remaining hole to secure the adapter/light fitter assembly (Figure 8).
- 15. You have completed the assembly of your new ceiling fan. You can now proceed with hanging and wiring your fan.

## How to Hang Your Ceiling Fan

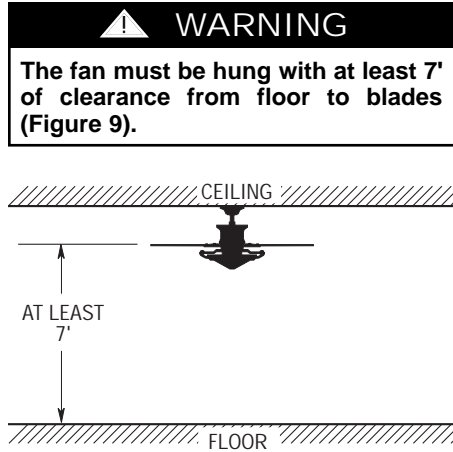


Figure 9

**⚠ WARNING**

The outlet box and joist must be securely mounted and capable of supporting at least 50 lbs. Use only a U.L. outlet box listed as “Acceptable for Fan Support”.

**⚠ WARNING**

To reduce the risk of fire, electric shock, or personal injury, mount fan to outlet box marked “Acceptable for Fan Support”, and use screws supplied with outlet box. Most outlet boxes commonly used for support of light fixtures are not acceptable for fan support and may need to be replaced. Consult a qualified electrician if in doubt.

1. Securely attach the hanger bracket to the outlet box using the two screws supplied with the outlet box (Figure 10).

**⚠ WARNING**

Hanger bracket must seat firmly against outlet box. If the outlet box is recessed, remove wall board until bracket contacts box. If bracket and/or outlet box are not securely attached, the fan could wobble or fall.

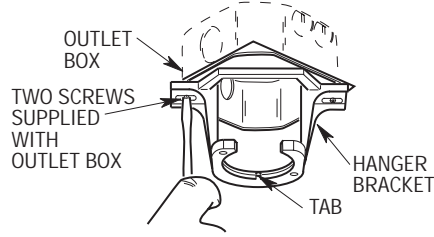


Figure 10

2. Carefully lift the fan and seat the hanger ball/downrod assembly on the hanger bracket that was just attached to the outlet box (Figure 11). Be sure the groove in the ball is lined up with the tab on the hanger bracket (Figure 10).

**⚠ WARNING**

Failure to seat tab in groove could cause damage to electrical wires and possible shock or fire hazard.

NOTE: CEILING COVER, SUPPLY WIRES AND FAN WIRES OMITTED FOR CLARITY.

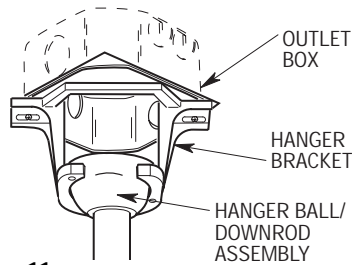


Figure 11

**⚠ WARNING**

To avoid possible fire or shock, do not pinch wires between the hanger ball/downrod assembly and hanger bracket.



## How to Wire Your Ceiling Fan

If you feel that you do not have enough electrical wiring knowledge or experience, have your fan installed by a licensed electrician.

**⚠ WARNING**

Turning off wall switch is not sufficient. To avoid possible electrical shock, be sure electricity is turned off at the main fuse box before wiring. All wiring must be in accordance with National and Local codes and the ceiling fan must be properly grounded as a precaution against possible electrical shock.

**CAUTION:** To reduce the risk of electrical shock, disconnect the electrical supply circuit before installing the fan, light kit or receiver.

- 1. Position the supply wires to the left side of the outlet box (Figure 12); position the fan wires to the right side. Partially insert the remote control receiver (flat side up) until one end rests on the hanger ball as shown in Figure 12.

**NOTE:** Make all wiring connections using wire connectors (supplied). Make sure that all connections are tight, including ground, and that no bare wire

is visible at the wire connectors, except for the ground wire.

- 2. Refer to Figure 12 and 13 and connect the receiver wires to the supply wires and the fan motor wires as follows:
  - a. Securely connect the green grounding wires from the hanger ball and the hanger bracket to the supply grounding conductor (this may be a bare wire or a wire with green insulation).
  - b. Securely connect the supply white (neutral) wire to the receiver white (AC IN N) wire.
  - c. Securely connect the supply black wire (hot) wire to the receiver black (AC IN L) wire.
  - d. Securely connect the fan motor white wire to the receiver white (TO MOTOR N) wire.
  - e. Securely connect the fan motor black wire to the receiver red (TO MOTOR L) wire.
  - f. Securely connect the fan motor blue wire to the receiver blue (FOR LIGHT) wire.

**⚠ WARNING**

Check to see that all connections are tight, including ground, and that no bare wire is visible at the wire connectors, except for the ground wire. Do not operate fan until blades are in place. Noise and fan damage could result.

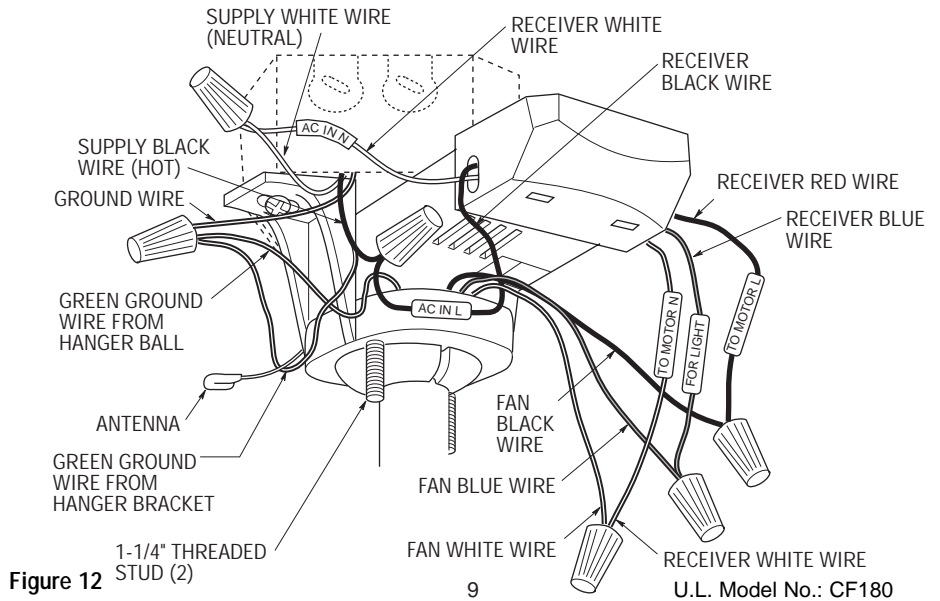


Figure 12

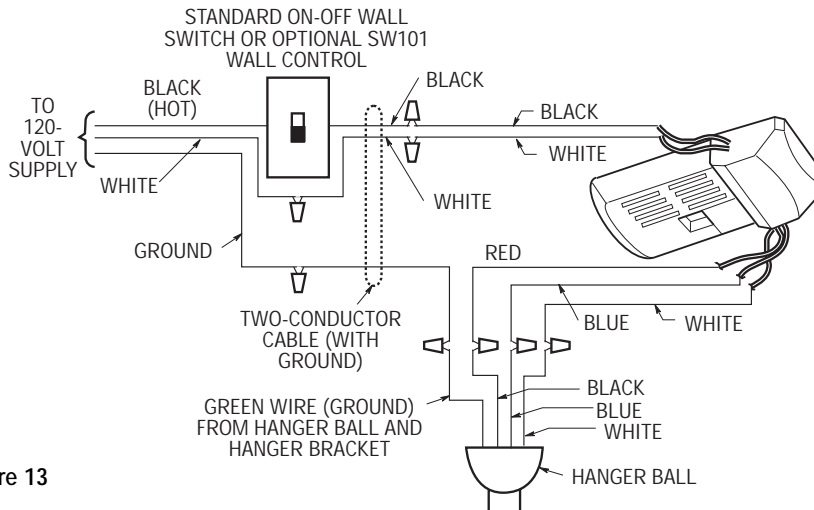


Figure 13

- 3. Push the wires and connectors up into the outlet box while inserting the receiver fully into the hanger bracket. Position the antenna wire on top of the receiver.
- 4. Screw the two 1-1/4" threaded studs (supplied) into the tapped holes in the hanger bracket (Figure 12).
- 5. Lift the ceiling cover up to the threaded studs and turn until the studs protrude through the holes in the ceiling cover (Figure 14).
- 6. Secure the ceiling cover in place by sliding lockwashers (supplied) over the threaded studs and installing the two knurled knobs (supplied). (Figure 14). Tighten the knurled knobs securely until the ceiling cover fits snugly against the ceiling.

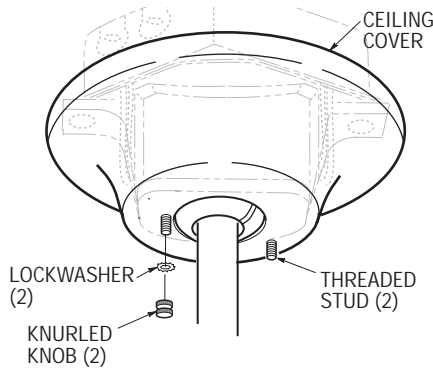


Figure 14

**⚠ WARNING**  
**To avoid possible fire or shock, make sure that the electrical wires are completely inside the outlet box and not pinched between the ceiling cover and the ceiling.**

- 7. Screw three 60-watt (maximum) candelabra base flame bulbs into the light fitter sockets (Figure 15).

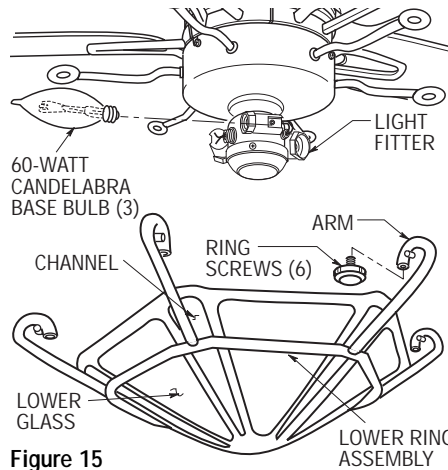


Figure 15

- 8. Unscrew the six ring screws from the lower ring assembly (Figure 15). Position the lower glass in the lower ring assembly so that the six channels in the glass align with the six arms of the lower ring assembly.

- 9. Grasp the lower ring assembly and raise it up and over the ring rods of the adapter assembly (Figure 16). Position the ring assembly so that the ring assembly arms protrude through the holes at the end of the ring rods. Secure the ring assembly in the ring rods using the six ring screws.

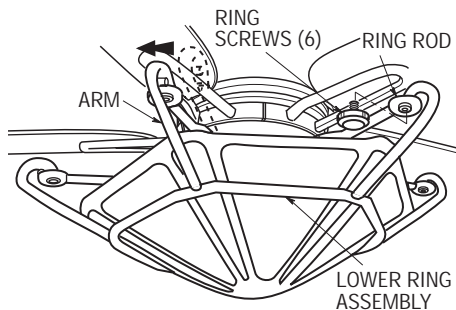



Figure 16

- 10. Your ceiling fan is now installed and wired to be controlled by your remote control system.

button is held down. When the light is at the desired brightness, release the button.

- 5. To turn the light on and off, press and release the  button. The light will turn on at the light level previously set (see step 4).

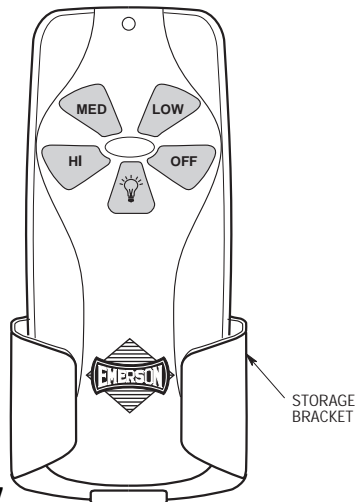



Figure 17

## Operating Your Ceiling Fan

### IMPORTANT

**Fan installation must be completed, including the installation of the fan blades, before testing of the remote control.**

Your remote control (Figure 17) has full control of your fan and light. However, air-flow direction is controlled by a slide switch on the switch housing.

- 1. Restore electrical power to the outlet box by turning the electricity on at the service panel.
- 2. To set the desired fan speed, press the HI, MED, or LOW buttons to operate your fan on high, medium, or low speed (Figure 17).
- 3. To turn your fan off, press the OFF button.
- 4. To set the level of light brightness, press and hold the  button. The light brightness will continue to increase then decrease while the

- 6. If airflow is desired in the opposite direction, turn the fan off and wait for the blades to stop turning. Then slide the reversing switch (Figure 18) to the opposite position and turn the fan on again. The blades will turn in the opposite direction and reverse the airflow.

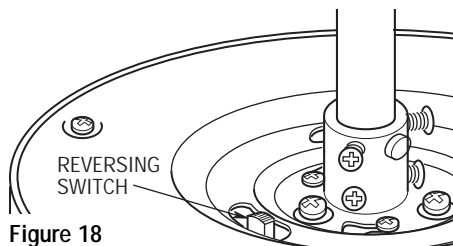


Figure 18

## Installation of Storage Bracket

A storage bracket is supplied with the remote control for holding the transmitter when not in use. If you desire to use the bracket, use the two screws (supplied) and install it on a wall that is away from excess heat or humidity.

## Maintenance

### IMPORTANT CARE INSTRUCTIONS for your Ceiling Fan

Periodic cleaning of your new ceiling fan is the only maintenance that is needed.

When cleaning, use only a soft brush or lint free cloth to avoid scratching the finish.

Abrasive cleaning agents are not required and should be avoided to prevent damage to finish.

## Accessories

- 1. Downrod Extension Kits (see store or catalog).
- 2. Ceiling Fan Controls (see store or catalog).



### WARNING

The use of any other control not specifically approved for this fan could result in fire, shock and personal injury.



### WARNING

Do not use water when cleaning your ceiling fan. It could damage the motor or the blades and create the possibility of an electrical shock.



### WARNING

This product is designed to use only those parts supplied with this product and/or any accessories designated specifically for use with this product by Emerson Electric Co. Substitution of parts or accessories not designated for use with this product by Emerson Electric Co. could result in personal injury or property damage.

### INSTRUCTION TO THE USER (if device contains a digital device)

This equipment has been tested and found to comply with the limits for a Class B digital device, pursuant to part 15 of the FCC Rules. These limits are designed to provide reasonable protection against harmful interference in a residential installation. This equipment generates, uses and can radiate radio frequency energy and if not installed and used in accordance with the instructions, may cause harmful interference to radio communications. However, there is no guarantee that interference will not occur in a particular installation. If this equipment does cause harmful interference to radio or television reception, which can be determined by turning the equipment off and on, the user is encouraged to try to correct the interference by one or more of the following measures:

- Reorient or relocate the receiving antenna.
- Increase the separation between the equipment and receiver.
- Connect the equipment into an outlet on a circuit different from that to which the receiver is connected.
- Consult the dealer or an experienced radio/TV technician for help.

This equipment has been certified to comply with the limits for a Class B computing device, pursuant to FCC Rules. In order to maintain compliance with FCC regulations, shielded cables must be used with this equipment. Operation with non-approved equipment or unshielded cables is likely to result in interference to radio and TV reception. The user is cautioned that changes and modifications made to the equipment without the approval of manufacturer could void the user's authority to operate this equipment.

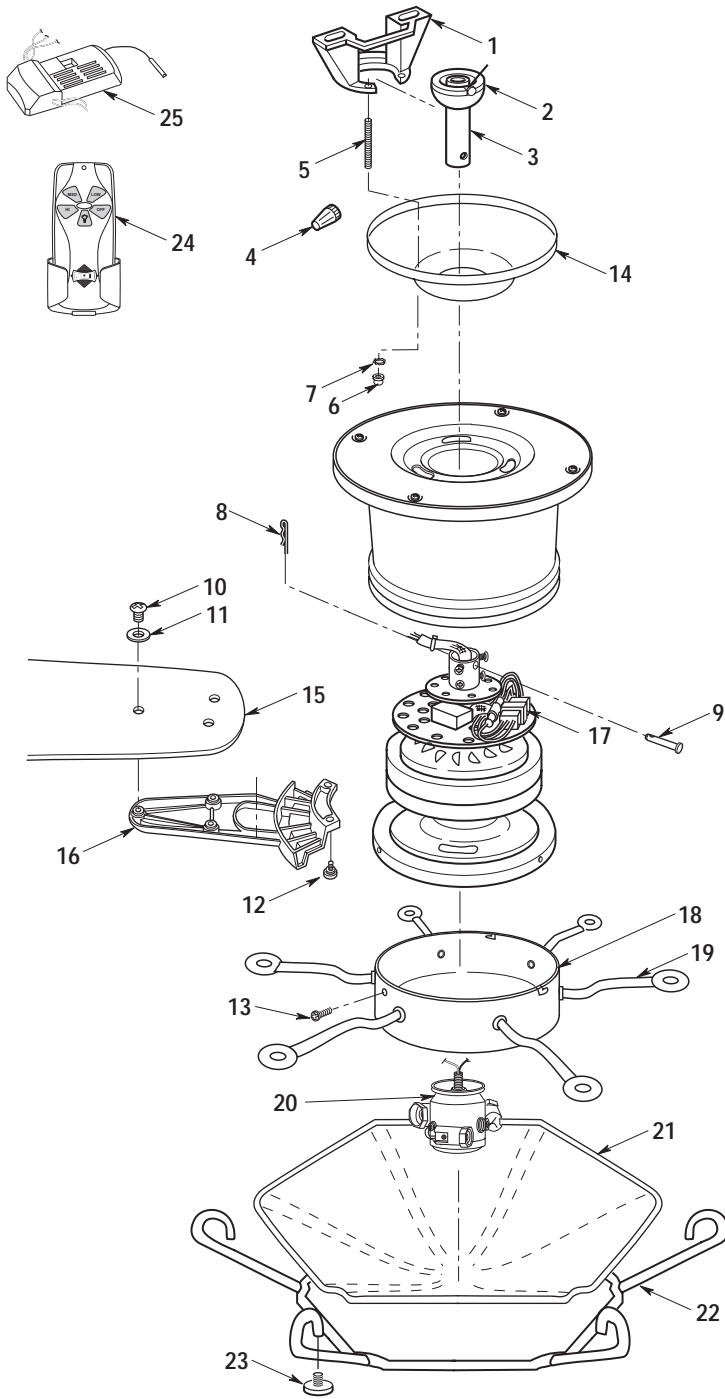
This Class B digital apparatus meets all requirements of the Canadian Interference-Causing Equipment Regulations.

**▲ WARNING: FOR YOUR OWN SAFETY TURN OFF POWER AT FUSE BOX OR CIRCUIT BREAKER BEFORE TROUBLE SHOOTING YOUR FAN.**

### Trouble Shooting

TROUBLE	PROBABLE CAUSE	SUGGESTED REMEDY
<b>1. Fan will not start.</b>	<ol style="list-style-type: none"> <li>1. Fuse or circuit breaker blown.</li> <li>2. Loose power line connections to the fan, or loose wire connections in the switch housing.</li> <li>3. Wall switch is off.</li> <li>4. Defective battery in remote control transmitter.</li> <li>5. Code switches in remote control receiver and transmitter are not set in the same position.</li> </ol>	<ol style="list-style-type: none"> <li>1. Check main and branch circuit fuses or circuit breakers.</li> <li>2. Check line power connections to fan and wire.</li> <li>3. Turn on wall switch.</li> <li>4. Check that the battery is good (red indicator light should illuminate when any button is pressed).</li> <li>5. Check that both code switches are set in the same positions.</li> </ol> <p><b>▲ WARNING: Make sure main power is turned off.</b></p>
<b>2. Fan sounds noisy.</b>	<ol style="list-style-type: none"> <li>1. Blades not attached to fan.</li> <li>2. Screws securing fan blade flanges to motor are loose.</li> <li>3. Wire connectors inside switch housing rattling.</li> <li>4. Screws holding blades to flanges are loose.</li> <li>5. Loose screws in motor housing.</li> </ol>	<ol style="list-style-type: none"> <li>1. Attach blades to fan before operating.</li> <li>2. Check to make sure the screws which attach the blade flanges to the motor are tight.</li> <li>3. Check to make sure wire connectors in switch housing are not rattling against each other or against the interior wall of the switch housing.</li> </ol> <p><b>▲ WARNING: Make sure main power is turned off.</b></p> <ol style="list-style-type: none"> <li>4. Tighten screws securely.</li> <li>5. Check to make sure all screws in motor housing are snug (not over-tight)</li> </ol>
<b>3. Fan wobbles excessively.</b>	<ol style="list-style-type: none"> <li>1. Setscrew in motor coupling is not tightened securely.</li> <li>2. Setscrew in the hanger ball/downrod assembly is loose.</li> <li>3. Screws securing fan blade flanges to motor are loose.</li> <li>4. Fan blade flanges not seated properly.</li> <li>5. Hanger bracket and/or ceiling outlet box is not securely fastened.</li> <li>6. Fan blades out of balance.</li> </ol>	<ol style="list-style-type: none"> <li>1. Raise coupling cover and tighten setscrew securely.</li> <li>2. Tighten the setscrew in the hanger ball/downrod assembly.</li> <li>3. Check to be sure screws which attach the fan blade flanges to the motor are tight.</li> <li>4. Check to be sure that the screws securing the fan blade flanges seat firmly.</li> <li>5. Tighten the hanger bracket screws to the outlet box, and/or secure outlet box.</li> <li>6. Interchanging an adjacent (side by-side) blade pair can redistribute the weight and result in smoother operation. Or use supplied balancing kit to balance blades.</li> </ol>

# Repair Parts



14

U.L. Model No.: CF180

## Repair Parts Listing

Key No.	Description	Part Numbers	
		Model No. CF180AP00	Model No. CF180GES00
*	Hanger Pack, Consisting of:	761655-34	761655-35
1	Hanger Bracket	—	—
2	Hanger Ball	—	—
3	Downrod	—	—
*	Parts Bag, Containing:	762659	762659
4	Wire Connector (7)	—	—
5	Threaded Stud, 8-32 x 1-1/4" (2)	—	—
6	Knurled Knob (2)	—	—
7	Lockwasher (2)	—	—
8	Hairpin Pin	—	—
9	Clevis Pin	—	—
10	Screw, Truss Head, 10-24 x 9mm (16)	—	—
11	Washer, Fiber (16)	—	—
12	Screw, Pan Head with Lockwasher, 1/4-20 x 11mm (11)	—	—
13	Screw, Pan Head, 8-32 x 12mm (4)	—	—
14	Cover, Ceiling	762653-AP	762653-GES
15	Blade Set (full set for one fan)	762635-8	762635-9
16	Flange Set (full set for one fan)	762724-AP	762724-GES
17	Harness Assembly, Wiring	762729	762729
18	Adapter, Light Fitter	762730-AP	762730-GES
19	Rod, Ring Assembly (6)	762735-AP	762735-GES
20	Fitter, Light	763207	763207
21	Glass, Lower	762733	762733
22	Ring Assembly, Lower	762734-AP	762734-GES
23	Screw, Ring (6)	762736-AP	762736-GES
24	Transmitter, Remote Control	761970-1	761970-1
25	Receiver, Remote Control	762670	762670
—	Owner's Manual	BP7357-1	BP7357-1

**Before discarding packaging material, be certain all parts have been removed.**

### HOW TO ORDER REPAIR PARTS

WHEN ORDERING REPAIR PARTS, ALWAYS GIVE THE FOLLOWING INFORMATION:

- PART NUMBER
- NAME OF ITEM
- PART DESCRIPTION
- MODEL NUMBER

The model number of your Fan will be found on a label attached to the top housing.  
For repair parts, phone 1-800-654-3545.



## LIMITED WARRANTY

### What The Warranty Covers:

This warranty covers the motor and the other components and accessories of your Emerson ceiling fan against all defects in workmanship and materials. You must be the original purchaser or user of the product to be covered.

### What The Period Of Coverage Is:

As it applies to the motor, this warranty will last for the lifetime of your ceiling fan. All other components and accessories are covered by this warranty for one year from the date you purchased your ceiling fan. ANY IMPLIED WARRANTY OF MERCHANTABILITY OR FITNESS FOR A PARTICULAR PURPOSE, MADE WITH RESPECT TO COMPONENTS AND ACCESSORIES IS ALSO LIMITED TO ONE YEAR.

### What Will Emerson Electric Co. Do To Correct Problems:

Emerson Electric Co. will replace a defective Emerson Air Comfort Ceiling Fan motor, blade, component or other accessory at no charge to you. If repair of the motor or blades is not practical or possible within a reasonable time and no replacement can be provided, Emerson will refund the actual purchase price of your fan. **WE WILL SHIP THE REPAIRED PRODUCT OR REPLACEMENT TO YOU AT NO CHARGE, BUT YOU ARE RESPONSIBLE FOR ALL COSTS OR REMOVAL, REINSTALLATION AND SHIPPING OF THE PRODUCT TO EMERSON ELECTRIC CO.**

### How Can You Get Service:

YOU MUST HAVE PROOF OF YOUR PURCHASE OF THE CEILING FAN TO OBTAIN LIMITED WARRANTY SERVICE. KEEP YOUR RECEIPT OR OTHER PROOF OF PURCHASE. You can return the product to our factory or to your nearest authorized service center.

- To return the product to the factory, obtain a return authorization and service identification tag by writing to Air Comfort Products, Division of Emerson Electric Co., 8100 W. Florissant Ave., St. Louis, MO 63136. Include all model numbers shown on the product with your request.
- To return the product to an authorized service center, call 1-800-654-3545 for the address of the nearest authorized service center.

You will be responsible for all insurance, freight or other transportation charges to our factory or authorized service center. Your Emerson Air Comfort Ceiling Fan should be properly packed to avoid damage in transit since we will not be responsible for any such damage.

### What Is Not Covered:

The glass globes and light bulbs of your ceiling fan are not covered by this warranty. This warranty also does not cover any defects, malfunctions or failures caused by:

- Repairs by persons not authorized by Emerson Electric Co.,
- Use of parts or accessories not authorized by Emerson Electric Co.,
- Mishandling, improper installation, modifications or damage to your ceiling fan while in your possession, or
- Unreasonable use, misuse, abuse, including failing to do reasonable and necessary maintenance, and normal wear and tear.

Additionally, this warranty and any implied warranty of merchantability or fitness for a particular purpose are voided when:

- The original purchaser or user ceases to own the product, or
- The fan is moved from its original point of installation.

This warranty is only valid within the 50 states of the United States and the District of Columbia. No other written or oral warranties apply, and no employee, agent, dealer or other person is authorized to give any warranties on behalf of Emerson Electric Co.

REPAIR, REPLACEMENT OR A REFUND ARE THE EXCLUSIVE REMEDIES AVAILABLE UNDER THIS WARRANTY AND EMERSON IS NOT RESPONSIBLE FOR DAMAGES OF ANY KIND, INCLUDING INCIDENTAL AND CONSEQUENTIAL DAMAGES. Incidental damages include but are not limited to such damages as loss of time and loss of use. Consequential damages include but are not limited to the cost of repairing or replacing other property which was damaged if this product does not work properly.

### How State Law Relates To The Warranty:

Some states do not allow the exclusion or limitation of incidental or consequential damages so the above exclusion or limitation may not apply to you. This warranty gives you specific legal rights, and you may also have other rights which vary from state to state.



# EMERSON™

**Air Comfort Products**

**DIVISION OF EMERSON ELECTRIC CO.**

**8100 W. Florissant • St. Louis, MO 63136**

Part No. F40BP73570001

Printed in China 09/07

Form No. BP7357-1  
U.L. Model No.: CF180