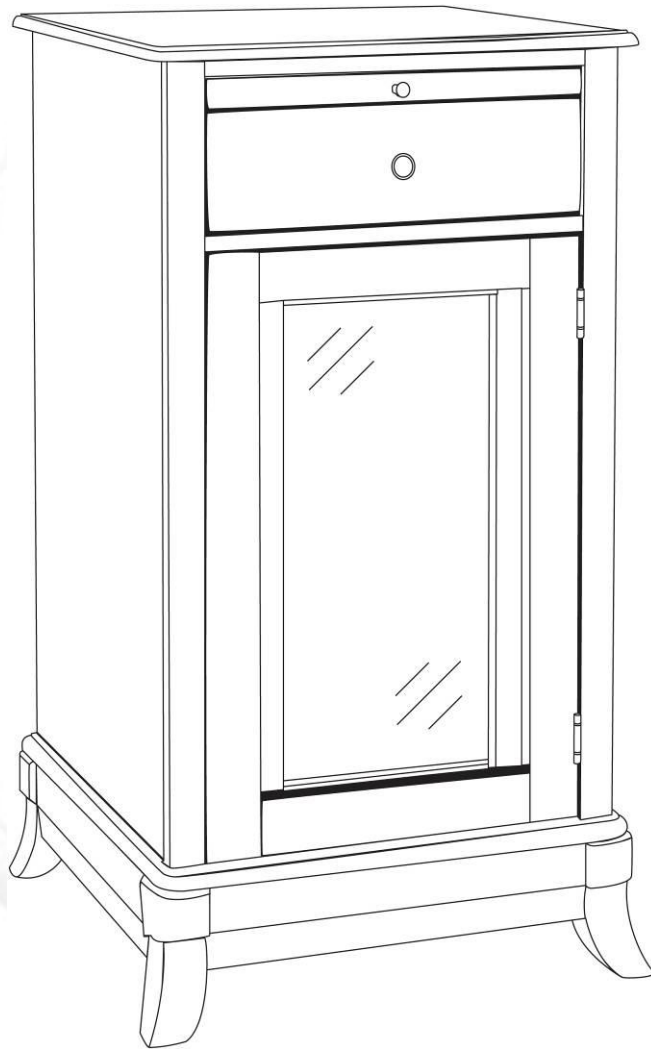


Vinotemp®

A PROUD HERITAGE OF EXPERIENCE & QUALITY



**DUAL-ZONE FURNITURE
WINE CELLAR
VT-CAVA1**

OWNER'S MANUAL

Vinotemp®

WWW.VINOTEMP.COM

YOUR WINE CELLAR

This unit can be used for storage and/or service. The unit has a glass door and a soft interior light that to elegantly display your wine. This furniture-style wine cellar uses thermoelectric cooling. Optimal temperature levels and performance of this unit depends on proper care, placement and ambient temperature.

SERVING WINES

Storing wines at the proper temperature is important. To preserve them as long as possible, wine should be stored at approximately 55° Fahrenheit. However, the chart below suggests the optimal drinking temperature for the different styles of wine.

°C	°F	Wine Style
19	66	Armagnac, Brandy, Cognac
18	64	Full Bodied Red wines, Shiraz
17	62	Tawny Port
15	59	Medium Bodied Red Wines
14	57	Amontillado Sherry
13	55	Light Bodied Red Wines
12	54	Full Bodied White Wines
11	52	Medium Bodied White Wines
10	50	Rosé, Light Bodied White Wines
9	48	Vintage Sparkling
8	46	Fino Sherry
7	45	Non Vintage Sparkling

General Operating Instructions

Remove all external and internal packaging from your wine cellar. Be sure that all parts have been included before discarding any packaging materials. You may want to keep the box and packing materials for use at a later date.

Upon receipt and inspection of unit, the supply cord must be replaced if it is damaged. Contact our customer service at 1-800-777-8466 or info@vinotemp.com.

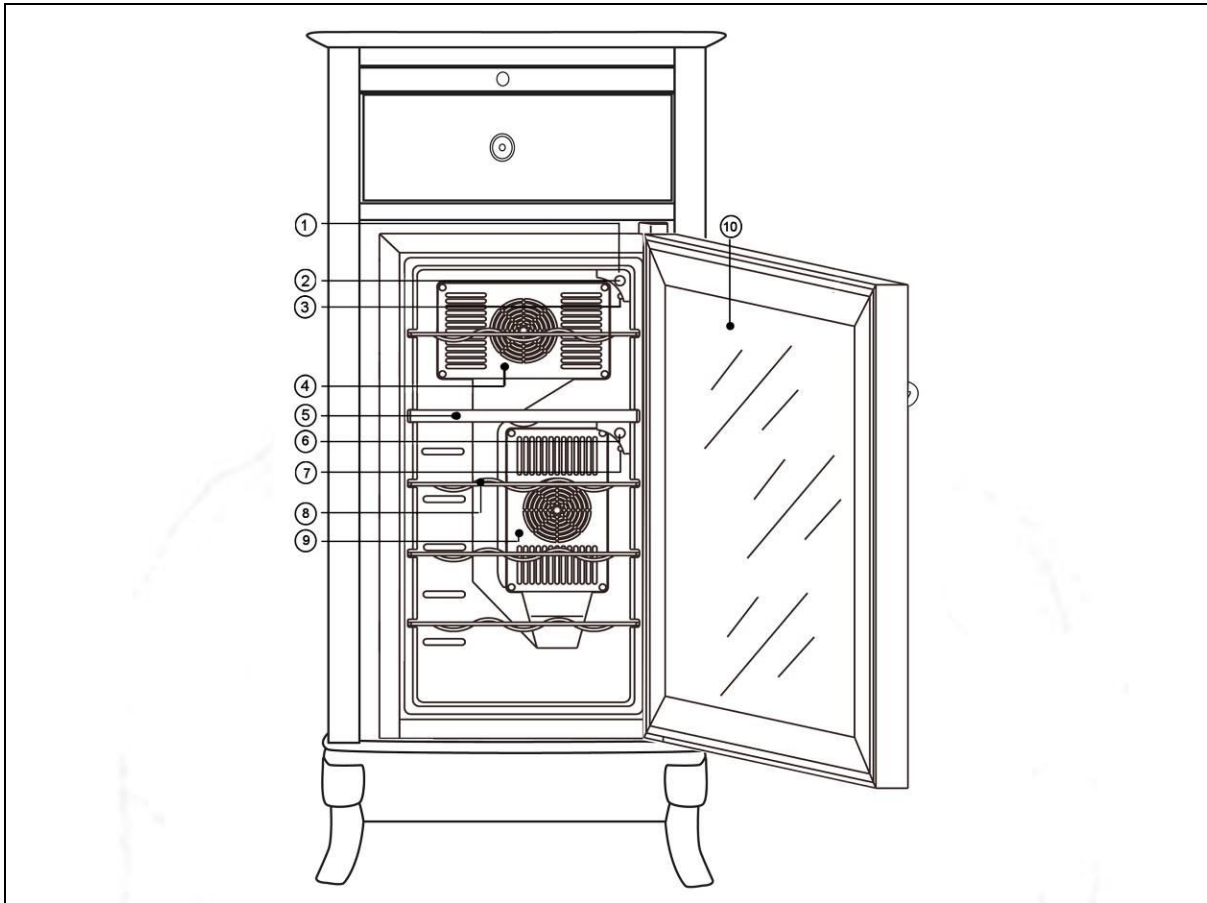
- Let the unit rest UNPLUGGED for 24 hours once you have it placed in your home.
- Please fully read the instruction manual.
- Save these instructions.

**Please read and follow all safety rules
and operating instructions before using.**

Table of Contents

PARTS AND SPECIFICATIONS	5
IMPORTANT SAFETY INSTRUCTIONS	6
CORD INSTRUCTIONS	7
INSTALLATION INSTRUCTIONS.....	7
OPERATING INSTRUCTIONS	8
CLEANING AND MAINTENANCE	9
TROUBLESHOOTING GUIDE.....	10
TERMS OF SALE AND WARRANTY.....	11
SERVICE & IMPORTANT NOTICE.....	12

PARTS AND SPECIFICATIONS



- | | |
|-------------------------------------|-----------------------------|
| 1. Top Zone Temperature Control Box | 6. Bottom Zone Light Switch |
| 2. Top Zone Light Switch | 7. Bottom Zone Light |
| 3. Top Zone Light | 8. Shelf |
| 4. Top Zone Fan Grill | 9. Bottom Zone Fan Grill |
| 5. Clapboard | 10. Glass Door |

Type	2 Temp.
Item Number	VT-CAVA1
Bottle Capacity	Approx. 18
Dimension (WxDxH)	22" x 21.625" x 42.25"
Weight	114.64 Lbs
Rated Voltage	110~120V
Temperature Range	Top Zone: 48~53°F Bottom Zone: 53~64°F
Rated Frequency	60Hz
Input Power	130W

Note: The actual cabinet temperature in a thermoelectric unit is dependent upon the ambient temperature. The above mentioned temperatures are approximations and based on an average ambient room temperature of 77°F

IMPORTANT SAFETY INSTRUCTIONS

When using an electrical appliance, basic precautions should be followed to reduce the risk of fire, electric shock, and personal injury.

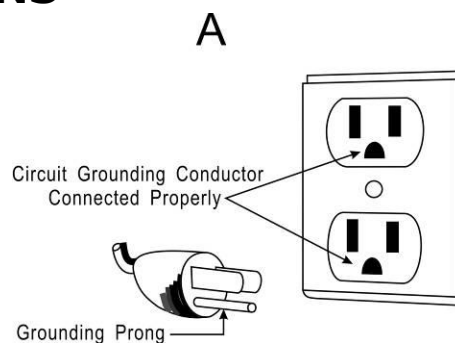
1. Use this appliance only as described in this manual. Other uses are not recommended and may cause fire, electric shock or injury.
2. This product is intended for indoor, household use.
3. Remove all packaging material before operation. This includes adhesive tape holding the wine cooler accessories and packaging support accessible from behind the wood cabinet. Plastic bags, screws, etc. should be kept out of reach of children.
4. To protect against electric shock, do not immerse unit, plug or cord in water or other liquids. Avoid locating the unit in moist areas.
5. Never allow children to operate, play with, or crawl inside the unit.
6. Unplug unit from the wall outlet when not in use, when moving from one location to another, or before cleaning.
7. To disconnect the appliance, grip the plug and pull it from the wall outlet. Never pull by the cord.
8. Do not operate the appliance in the presence of explosive and/or flammable fumes.
9. Do not place the appliance or any of its parts near an open flame, cooking or other heating appliances.
10. Do not operate the appliance with a damaged cord or plug. If the product malfunctions, or if it is dropped or damaged in any manner, do not use.
11. The use of attachments is not recommended and may be hazardous.
12. A loose fit plug may cause overheating or warp the plug. Contact a qualified electrician to replace loose or worn outlet.
13. This appliance is designed for freestanding use only (not meant for built-in installation).
14. The wine cellar is intended for use in a controlled ambient location such that the ambient temperature does not exceed 110°F.
15. Locate the unit away from direct sunlight and sources of heat (stove, heater, radiator, etc.).
16. If for any reason this product requires service, a certified technician should conduct the service.
17. Do not, under any circumstances, obstruct ventilation areas located on the wine cooler and the wood cabinet.

WARNING: To reduce the risk of fire, electric shock or personal injury, unplug or disconnect the appliance from the power supply before servicing.

WARNING: Risk of child entrapment. Before you throw away your old wine cellar, remove the door and leave the shelves in place so that children may not easily climb inside.

CORD INSTRUCTIONS

For your protection, this unit should be properly grounded. Unit is equipped with a 3-conductor cord set that has a molded 3-prong grounding-type plug, and should be used in combination with a properly connected grounding-type outlet as shown in figure A.



It is not recommended to use this wine cellar with an extension cord or power board. Please ensure that the appliance is plugged directly into the electrical outlet. Avoid the use of three plug adapters and do not alter the plug under any circumstance.

INSTALLATION INSTRUCTIONS

Before Using Your Appliance

- Remove the exterior and interior packaging.
- Check to be sure you have all necessary parts and an owner's manual.
- Before connecting the appliance to the power source, let it stand upright for approximately 4 hours. This will reduce the possibility of a malfunction in the cooling system from handling during transportation.
- Clean the interior surface with lukewarm water using a soft cloth and leave doors open to air out the unit BEFORE plugging in your appliance.

Installation of Your Appliance

- This appliance is designed to be free standing only, and should not be recessed or built-in.
- Leave at least 8" space from back wall.
- Leave at least 6" space for each side.
- Place your appliance on a floor that is strong enough to support it when it is fully loaded.
- Floor should be level.
- Locate the appliance away from direct sunlight and sources of heat (stove, heater, radiator, etc.). Direct sunlight may affect the coating and heat sources may increase electrical consumption. Extreme cold ambient temperatures may also prohibit the unit from performing properly.
- Avoid locating the unit in moist areas.
- Never put heavy articles on top of the unit.

- Plug the appliance into an exclusive, properly installed-grounded 115 volt wall outlet. Do not under any circumstances cut or remove the third (ground) prong from the power cord.
- Any questions concerning power and/or grounding should be directed toward a certified electrician or a service center authorized by VINOTEMP.

Venting

- Proper ventilation must be maintained in order to insure the proper function and reliability of the unit.
- There are vents and openings strategically located on the wood cabinet in order to insure air flow. Do not block these areas or modify the cabinet under any circumstance.
- Do not overfill your wine cellar for proper internal air circulation.

OPERATING INSTRUCTIONS

Temperature adjustment

- The temperature inside the wine cooler can be adjusted between Min and Max settings using the rotary switch located on the upper corners of each zone in the cooler casing.
- The actual cabinet temperature in a thermal electric unit is dependent on the ambient room temperature. When the ambient temperature is below the set temperature the wine cooler will not operate until the ambient temperature increases to higher than the set temperature

Interior light

- There are lights located inside the cooler for your viewing convenience. Light switches will activate the lights.
- Under normal operation, it is best or the light to remain off.

Important: When using the wine cellar for the first time, allow at least 24 hours for the internal temperature to adjust properly. Make sure at least three to five bottles are in the unit.

CLEANING AND MAINTENANCE

Cleaning Your Appliance

- Turn off the unit, unplug the appliance, and remove all items including the shelves.
- Wash the inside surfaces with warm water and baking soda solution. The solution should be about 3-4 tablespoons of baking soda to a quart of warm water. Use a sponge or soft cloth.
- Do not allow cleaning solution to come into contact with the wood cabinet.
- Wash the shelves with mild detergent solution.
- Wipe the outside cabinet with furniture polish and clean soft cloth.

Power Failure

- Most power failures are corrected within a few hours and should not affect the temperature of your appliance. Minimize the number of times the door is opened to maintain the internal temperature.
- Remove the power cord from the outlet when a power outage occurs. When power has been restored, re-plug the power cord into the outlet.

Vacation Time

- **Short vacations:** Leave the appliance operating during vacations of less than three weeks.
- **Long vacations:** If the appliance will not be used for at least several months, remove all items and unplug the unit from the wall outlet. Clean and dry the interior thoroughly. To prevent odor and mold growth, leave the doors open slightly.

Moving Your Appliance

- Remove all items.
- Securely tape down all loose items (shelves) inside your appliance.
- Tape the door shut.
- Ensure the appliance stays secure in the upright position during transportation.
- Protect the outside of the unit with a blanket, or with similar item.

Energy Saving Tips

- The appliance should be located in the coolest area of the room, away from heat producing appliances, and away from direct sunlight.
- Do not leave the door open for long periods of time.

TROUBLESHOOTING GUIDE

You can solve many common wine cellar problems easily, saving you the cost of a possible service call. Try the suggestions below to see if you can solve the problem before contacting Vinotemp at info@vinotemp.com.

PROBLEM	POSSIBLE CAUSE
Appliance does not operate.	<ul style="list-style-type: none"> • Unit is not plugged in. • There is no power at the wall outlet. • The circuit breaker tripped or a blown fuse. • The cooler is not turned on.
Wine is too warm.	<ul style="list-style-type: none"> • Check the temperature control setting for each zone. Adjust to a colder setting if needed. • External environment may be too warm. • The door has been opened frequently. • Wine bottles were recently added, allow enough time for wine to reach desired temperature. • The door gaskets do not seal properly.
Wine is too cold.	<ul style="list-style-type: none"> • Check the temperature control setting for each zone. Adjust to a warmer setting if needed.
Moisture builds up on coolers interior or exterior.	<ul style="list-style-type: none"> • This is normal during humidity periods. • Door has been opened for long periods of time. • Door has been opened frequently. • Door gaskets do not seal properly.
The doors won't close properly	<ul style="list-style-type: none"> • The appliance is not level. • The door magnetic seal is dirty. • The shelves are out of position. • Wine bottles inside the unit are too long.

TERMS OF SALE AND WARRANTY

Vinotemp International ("Seller") and the person or entity that acquires these goods from Seller ("Purchaser") hereby fully agree to the following terms and conditions of the sale: Shipping fees are the responsibility of the Purchaser whether freight prepaid or freight collect. Seller assumes no responsibility for the goods sold to the Purchaser once the goods have left the Seller's premises, including, but not limited to, late delivery by the moving carrier, or for events caused by any difficulty carrier incurs in attempting to fit the goods into the Purchaser's place of business or residence due to the size of the goods or otherwise. Purchaser assumes all responsibility for delivery, payment of freight, access, measurement, installation, hook-up, wiring, moving and storage of the goods. The transportation of all goods is subject to the terms and conditions which the moving carrier imposes on Purchaser including, but not limited to, additional charges imposed per flight of stairs, and/or additional charges resulting from the carrier's inability to safely and/or adequately use the building elevator to lift the goods to an upper floor. Any claim for damages incurred during shipment by the carrier of the goods are insured and handled directly with the carrier and must be noted at time of delivery. Any damages due to manufacture defects will be handled directly with Vinotemp International, subject to the limited warranty.

All sales are final, and unless authorized in writing by the Seller, Purchaser may not return the goods, under any circumstance. If Purchaser refuses to accept the goods, under any circumstance, the Purchaser is liable for the return and cost of freight both ways, and if Seller does take back the goods, there will be a restocking charge that is 35% of the purchase price of the goods. (Product must be in original packaging). Built-to-Order products (including Cabinets, Racking, and Accessories) are non-returnable. Purchaser must notify Seller of non-conforming goods within four days of delivery, after which time all goods are deemed accepted. If an order has been placed and production has started, cancellation of your order will be a 15% charge. If Purchaser tenders payment with a check that has insufficient funds (NSF), or stops payment on a check or credit card for any reason, Purchaser agrees to pay for all costs associated with the Seller's collection or litigation of such a claim, including without limitation extra damages, court costs and attorneys' fees. Finance charges begin the date of invoice. Collection fees plus NSF fee of \$50 will be added to your invoice, which you agree to promptly pay. Title to the goods does not pass until payment is received in full by Seller and Seller retains a security interest in the goods until they are paid for in full.

LIMITED WARRANTY: Seller warrants that the goods will be free of defects in materials and workmanship as follows: Furniture style (wood) wine cabinets: all cooling unit parts for a period of 5 (five) years; cabinetry and labor (uninstalled) for a period of 12 (twelve) months from date of sale. For the metal cabinet wine units: parts and labor for cooling system and cabinetry for a period of 12 (twelve) months from date of sale. Thermoelectric Units: 90 (ninety) days from the date of sale (including Wine Coolers, Beer Dispensers, Humidor, Portofino Wood Cellars, and Refrigerators). Wine-Mate Split Systems and installed products are parts only for 1 year, no labor. Other Wine-Mate Cooling Systems are 5 years parts, 1 year labor. Wine Accessories and Racking Systems are not warranted. There is no warranty on parts purchased separately. Removal and re-installation of unit is not included in warranted labor. Purchaser's exclusive remedy is limited, at Seller's option; to repair or replace defective part[s] with either new or factory reconditioned part[s]. Purchaser is responsible for shipping the unit pre-paid to designated facility and Seller will pay return shipping charges in the continental United States for items repaired under warranty within 12 (twelve) months from date of sale. Since the natural variation in texture, density, grain, color, tone and shade of wood is unavoidable; Seller does not guarantee the texture, color, tone or shade of the wood: nor does seller guarantee the colorfastness of wood or against peeling, chipping, cracking or scratching. Note: Unfinished wood is subject to warping; all wood surfaces must be sealed before placing cellar into service. Improper placement of the unit will void the warranty. By Vinotemp in writing, any third party repair facility must be pre-approved before providing parts free of charge. This limited warranty does not cover damage due to such things as accident, misuse, abuse, mishandling, neglect, acts of God, fires, earthquakes, floods, high winds, government, war, riot or labor trouble, strikes, lockouts, delay of carrier, unauthorized repair, or any other cause beyond the control of the Seller, whether similar or dissimilar to the foregoing. Seller is not responsible for any damages caused to Purchaser's property resulting from the good. This limited warranty applies only inside the Continental US. (Alaska, Puerto Rico and Hawaii are not warranted.)

For Non-New Units (Scratch & Dent/Refurbished/Floor Models), warranty for compressor units is 90 days from your dated invoice and 30 days for thermoelectric units (parts for function only, not cosmetic defects). These units are refurbished and sold as is; Purchaser assumes risks to the quality and performance of goods and assumes the costs of all necessary service or repair not covered herein.

For Element Grills (via Element Products LLC), grills have a 1 year comprehensive parts warranty on entire product. Three years limited parts warranty covering the stainless burner and a thirty day limited parts warranty on grill accessories. If grill is defective and unused plus all packaging and parts are intact, we will either replace the grill or provide service to repair the grill. Returned product must accompany all original packaging and parts and is subject to our 35% restocking fee (and freight both ways).

With Wine-Mate products, if the customer calls and the product is "defective", you must obtain a letter from your qualified refrigeration technician at the customers cost, to verify that the unit was installed properly, with proper ventilation and the unit is truly malfunctioning due to manufacture defect.

Purchaser understands and acknowledges that the goods sold here are wine cellars, cigar humidors, and/or other similar units which house wine or cigars. Purchaser assumes all risk of using these units, including risk of spoilage, humidity variations, temperature variations, leaks, fire, water damage, mold, mildew, dryness and similar and any other perils that might occur.

Seller is not responsible for incidental or consequential damages, and there are no warranties, expressed or implied, which extend beyond the Limited Warranty described above. The implied warranties of merchantability and of fitness for a particular purpose are hereby expressly disclaimed. Some states do not allow the exclusion of incidental or consequential damages, or a waiver of the implied warranties of fitness and/or merchantability, so the above limitations may not apply to you. This warranty gives you specific legal rights and you may also have other rights which vary from state to state. In the event of any dispute between Seller and Purchaser arising out of or relating to these terms and conditions or to the goods sold generally, Purchaser must first file a written claim with Seller within ten days of the occurrence giving rise to the claim and wait an additional thirty days for a response before initiating any legal action. The sale and all terms are subject to California law. Any legal proceeding arising out of or relating to these terms and conditions or to the goods sold generally shall be brought solely and exclusively in the County of Los Angeles. In no event may Purchaser initiate any legal proceeding more than six months after the occurrence of the event giving rise to the dispute.

The above terms and conditions are the only ones governing this transaction and Seller makes no oral representations of any kind. These Terms and Conditions can only be modified in writing, signed by both Purchaser and Seller. 06/11

SERVICE & IMPORTANT NOTICE

Upon receipt and inspection of unit, the supply cord must be replaced if it is damaged. Contact our customer service at 1-800-777-8466 or info@vinotemp.com.

The manufacturer has a policy of continuous improvement on its products and reserves the right to change materials and specifications without notice.

WARNING:

**Please do not place the unit within reach of children.
For adult use only.**

Contact **info@vinotemp.com** with any questions or visit:
www.vinotemp.com



17621 S. Susana Road
Rancho Dominguez, CA 90221
www.vinotemp.com

Vinotemp is a registered trademark of Vinotemp International. All products, features, and services are subject to change without notice. We cannot guarantee the accuracy of the contents of this document. We disclaim liability for errors, omissions, or future changes.

© 2011 Vinotemp International. All rights reserved.