

CLEAN TOUCH SELF CONTAINED DROP-IN SPA



OWNER'S MANUAL



EUROPEAN TOUCH

The World's Finest Pedicure Spas



EUROPEAN TOUCH™

TABLE OF CONTENTS

IMPORTANT INFORMATION	4
INTRODUCTION	6
IMPORTANT SAFETY INSTRUCTIONS	6
DANGER	7
WARNINGS	7
IMPORTANT REQUIREMENTS	8
HEALTH RISK WARNING	8
PEDICURE SPA SPECIFICATIONS	9
COMPONENT REFERENCE	10
REMOVING AND REPLACING IMPELLER	11
PEDICURE PRODUCT GUIDELINES	11
CLEAN TOUCH™ PIPE-FREE SPA CLEANING AND DISINFECTING PROCEDURES	12
PEDICURE SPA CLEANING LOG SHEET	13
REPLACEMENT PARTS	14



EUROPEAN TOUCH™

INTRODUCTION

Thank you for selecting EUROPEAN TOUCH, the leading designer, manufacturer, and marketer of pedicure spas in North America. The Clean Touch Drop in Basin Spa (herein referred to as pedicure spa) is an innovative pedicure spa that has been designed to serve you dependably for many years. Please take time to thoroughly read this entire manual before installation and use. If you have any problems or have questions regarding your pedicure spa, please contact EUROPEAN TOUCH's Technical Support Department at **1-800-626-6912**, Monday through Friday 8 AM to 6:30 PM CST. After hours calls are recorded and attended to the next business day.

IMPORTANT SAFETY INSTRUCTIONS

When using an electrical appliance, basic precautions should always be followed, including the following:

Read all instructions before using the Pedicure Spa.

WARNING – To reduce the risk of burns, fire, electric shock, or injury to persons:

1. Use the Pedicure Spa only for its intended use as described in this manual. Do not use attachments not recommended by the manufacturer.
2. Never operate the Pedicure Spa if it has a damaged cord or plug, if it is not working properly, if it has been dropped or damaged, or dropped into water.
3. Never drop or insert any object into any opening.
4. Do not use outdoors.
5. Do not operate where aerosol (spray) products are being used or where oxygen is being administered.

Save These Instructions



EUROPEAN TOUCH™

DANGER

1. Never use pins or other metallic fasteners with this appliance.

WARNINGS

1. WARNING: RISK OF ELECTRIC SHOCK; do not permit electric appliances (such as a hair dryer, lamp, telephone, radio, or television) within 1.5M of this hydromassage bathtub.
2. CAUTION: Test the ground fault circuit interrupter protecting this appliance periodically in accordance with the manufacturer's instructions.
3. Temperatures sufficiently high to cause burns may occur regardless of the control setting.
 - a. Do not use on...
 - Infants
 - Invalids
 - Sleeping or unconscious person
 - b. Do not use on...
 - Insensitive skin
 - Person with poor blood circulation

Note: Check the skin in contact with the heated area of the appliance frequently to reduce the risk of blistering.

4. Excessive water temperature is dangerous and should be checked before use. Maximum operating water temperature should not exceed 105° F (41° C) and the maximum supply water temperature should not exceed 150° F (65° C).
5. Always enter and exit the pedicure spa slowly and carefully.
6. Never bring or operate any electrical devices into or near the pedicure spa.
7. Do Not Crush – Avoid sharp folds.
8. Do not stand on or in appliance.
9. Use only while seated.
10. Keep children away from extended foot support.
11. Connect this appliance to a properly grounded outlet only. See Grounding Instructions within the install manual.
12. Spa basin shall not be used by maintenance or cleaning crew as a slop sink.

Note: Always verify maximum temperatures with your local & state codes.



EUROPEAN TOUCH™

IMPORTANT REQUIREMENTS

EUROPEAN TOUCH requires that you contact your local, licensed plumber and licensed electrician to install your new pedicure spa. Installation must be in compliance with all your local and state building codes. Your pedicure spa cannot operate efficiently or safely unless it is provided with adequate electrical power, sufficient water pressure, proper water temperature, and required drainage capabilities. Contact your local building inspector for information and local code compliance procedures that need to be followed when having your pedicure spa installed. Subsequent inspections and approvals that may be required are the responsibility of the purchaser. **(See limited warranty regarding incidental or consequential exclusions – page 2).**

HEALTH RISK WARNING

Individuals whose feet or legs are inflamed or have open wounds should not be allowed to use the pedicure spa at any time. Nail technicians should advise clients to consult their physician before using the pedicure spa if there is any sign of fungal infection, swelling, fracture, or persistent pain. In some cases diabetics may experience improved circulation in their feet, but should first consult their physician prior to receiving a pedicure.

If the client experiences any pain or discomfort discontinue the use of the pedicure spa immediately.

Your client's pedicure spa experience should be pleasant and comfortable.

PEDICURE SPA SPECIFICATIONS

Hot and cold water supply lines required (hot and cold shut offs may be installed under pedicure spa base)

SHIPPING INFORMATION

Dimensions: 48"L (122cm) x 40W (102cm) x 32"H (82cm) – includes Spa, carton, and pallet

Weight: 130 lbs. (286 kg) - includes spa, carton, pallet

SPA INFORMATION

Overall dimensions: 27.25"L (70cm) x 23.25"W (59cm) x 18.25"H (47cm)

Empty weight: 40 LBS

Water Fill Line Capacity: 4.5 U.S. gallons

Motor: **115V:** 1/6 HP, 110V, 60Hz

Power source: **115V:** 115V AC, 2.75 Amps, 60 Hz (GFCI Protected)
OR
230V: 230V AC, 2.75 Amps, 50/60 Hz (GFCI Protected)

- ▶ **Caution: Pedicure spa must be installed by a licensed electrician and a licensed plumber, conforming to all local and national electrical codes**

Construction: Acrylic basin, pre-plumbed

Chair Specifications: Recommended vertical dimension from seat bottom to basin bottom 14 – 16"

Clean Touch™ Pipe-Free® Technology: 4 water massage channels, no closed loop circulating pipes, fully drained, easy to clean and sanitize.

Electrical switches: On/Off membrane switch for motor control and optional power drain pump.

Compliances: Designed to comply with CAN/CSA-E60335-1:1994, CAN/CSA-E60335-2-32:2001, UL 60335-1:2002, & UL 1647:2001

Electrostatic Limits: This unit may lose one or more functions when electrostatic contact discharge in excess of 4KV gets into accessible conductive part of the unit and could be restored by resetting the unit.
This unit may lose one or more functions when power surge in excess of 2KV is applied to the AC input power port and could be restored by resetting the unit.
This unit may lose one or more functions when subjected to fast transient voltages in excess of 0.5KV at 5 KHz repetition frequency and could be restored.

Limited warranty: **One (1) year on parts from date of shipment. Labor is not included.**

*NOTE: Due to our policy of continuous improvements, all specifications are subject to change without notice.
All dimensions and weights are approximate*

COMPONENT REFERENCE



On/Off Button



**On/Off & Drain Button
as with PDP option**

Note: Pressing with finger nails, rather than the pads of fingers, will damage the on/off switch and will not be covered under the warranty.

REMOVING AND REPLACING IMPELLER

Check your state and local regulations for cleaning procedures. Links to your state boards can be found on our web site, at www.europeantouch.com. Refer to the Owner's Manual "Clean Touch™ Pipe-Free® Spa - Cleaning and Disinfecting Procedures," for cleaning recommendations.



1. Remove the Clean Touch Assembly by turning it clockwise.



2. Remove Clean Touch inlet cover from housing by twisting counter-clockwise.



3. Remove the impeller by lifting from the basin.
4. Once the parts are clean, complete steps one through three in reverse order.

PEDICURE PRODUCT GUIDELINES

Because there are so many different products on the market, it is difficult to list all of the pedicure products that are safe to use in our pedicure spas. However, the following guidelines can be used:

- It is your responsibility to understand and follow your state's regulations regarding product cleaning and disinfecting requirements.
- Do not use any products containing a foaming agent; this will cause excessive foam.
- It has been determined that products containing non-dissolving abrasives (such as sand and sea salts) will not harm the internal component structure of your pedicure spa as long as the entire EUROPEAN TOUCH cleaning requirements are followed without deviation.
- Oil based products may be used in your pedicure spa as long as the cleaning requirements are met.
- Please use pedicure products and cleaning solutions in accordance with each manufacturer's directions.

EUROPEAN TOUCH pedicure spas will give you many years of service as long as proper precautions, precise cleaning, and operating instructions are followed. It is the responsibility of the pedicure spa user to properly clean and maintain the pedicure spa.

CLEAN TOUCH™ PIPE-FREE SPA CLEANING AND DISINFECTING PROCEDURES

Always check with your state board for required cleaning and disinfecting procedures. If your state health board provides an option of using bleach or an EPA registered disinfectant, European Touch recommends an EPA registered disinfectant. Prolonged or excessive bleach use will harm equipment.

It is extremely important to clean and disinfect your pedicure spa after each pedicure, after the last pedicure of the day, and once a week for overnight cleaning. Regular cleaning will help keep your pedicure spa in good working condition. Proper and continuous cleaning will kill harmful bacteria and germs that can cause infection. To clean your pedicure spa equipped with Clean Touch technology, follow these easy steps.

“Pipe-free” foot spas

For units with footplates, impellers, impeller assemblies and propellers:

After every client:

1. Drain all water from the basin.
2. Remove impeller, footplate and any other removable components according to the manufacturer's instructions.
3. Thoroughly scrub impeller, footplate and/or other components and the areas behind each with a liquid soap and a clean, disinfected brush to remove all visible residue, then reinsert impeller, footplate and/or other components.
4. Refill the basin with water and circulate the correct amount (read the label for mixing instructions) of the EPA registered hospital disinfectant through the basin for ten minutes.
5. Drain, rinse and wipe dry with a clean paper towel.

At the end of every day:

1. Fill the basin with warm water and chelating detergent (cleansers designed for use in hard water) and circulate the chelating detergent through the spa system for five to ten minutes (follow instructions). If excessive foaming occurs, discontinue circulation and let soak for the remainder of ten minutes.
2. Drain the soapy solution and rinse the basin.
3. Refill the basin with clean water and circulate the correct amount (read the label for mixing instructions) of the EPA registered hospital disinfectant through the basin for ten minutes.
4. Drain, rinse and wipe dry with a clean paper towel.

At least once each week:

1. Do not drain the disinfectant solution - Turn off the unit and leave the disinfecting solution in the overnight.
2. In the morning drain, rinse and wipe dry with a clean paper towel.

The pedicure-cleaning log may be required by your a state board.

A violation of this section may result in an administrative fine and/or disciplinary action.

CAUTION: Cleaning products that contain abrasives will damage the pedicure spa. Use only non-abrasive products to clean your spa.

PEDICURE SPA CLEANING LOG SHEET

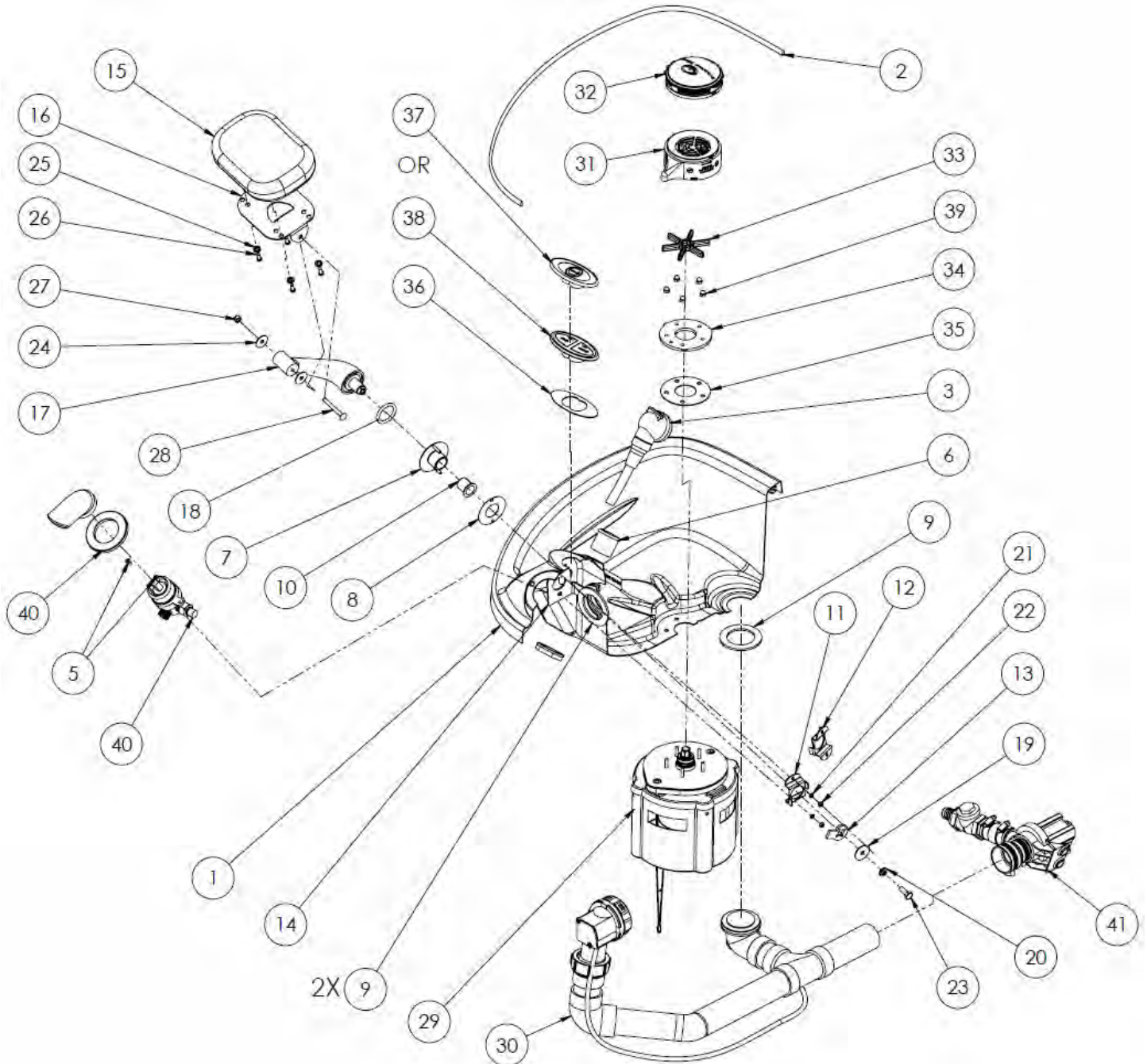
“Sample”

Pedicure Spa #

Date	Time	Initials	After Client	End of Day	Weekly

REPLACEMENT PARTS

BASIN ASSEMBLY



Item No.	Part No.	Description	Qty
1	31010200	BASIN PIPE FREE PLAT CT DROP IN STYLE	1
2	15040012	TRIM LOCK CHROME PLATINO BASIN	1
3	30150001	SUBASM SHOWER SPRAYER CT	1
4	01030001	DECAL - DO NOT STAND IN BASIN	1
5	06130070	SCREW 10-32 X 1/2 FH PHIL MACH	2
6	25022014	ESCUTCHEON SPRAYER PLATINO II BRASS	1
7	25152016	BUSHING FOOTREST PLATINO II	2
8	25002000	GASKET BUSHING PLATE.062 NEOPRENE	2
9	15000006	GASKET DRAIN ASSEMBLE	3
10	12000216	I-GLIDE BUSHING LEG REST ARM	2
11	25022002	BUSHING SUPPORT PLATE LEFT PLATINO II	1
12	25022003	BUSHING SUPPORT PLATE RIGHT PLATINO II	1
13	30020209	STOP FOOTREST RINATO	2
14	25022001	FOOTREST MOUNT PLATE PLATINO II	1
15	15000014	CUSHION FOOTREST PLATINO	2
16	12020232	PLATE FOOT PAD MOUNT ASSEMBLY	2
17	25022000	LEGREST ARM PLATINO II	2
18	12000223	TEFLON O-RING LEGREST	2
19	03130012	WASHER AIR BLEED FENDER	2
20	14130006	SPLIT WASHER	2
21	02020000	WASHER #10 SPLIT LOCK 18- 8 SST	4

Item No.	Part No.	Description	Qty
22	25132014	NUT M5X0.8 SS HEX PL	4
23	25132004	BOLT HEX HEAD M8-125 X 20MM SS	2
24	12130063	WASHER FOOTREST PIVOT NYLON	4
25	14130011	SPACER NYLON .32 ID X .50D X .125THK	8
26	25132003	SCREW M5-.8 X 12MM PH SS PHILLIPS	8
27	12130048	NUT 1/4-20 NYLON CAP LOCK SS	2
28	12130037	BOLT 1/4-20 X 2 1/4 CARR	2
29	30152015	SUBASM HANNING MOTOR NEXT GENERATION	1
30	30151200	DRAIN KIT ASSEMBLY	1
31	30010241	HOUSING INLET ASM PEARL DUAL LOCK	1
32	30010208	COVER INLET HOUSING PEARL	1
33	30010203	IMPELLER	1
34	30010030	PLATE MOUNTING DUAL LOCKING	1
35	30010208	GASKET INLET HOUSING NG	1
36	30010221	GASKET BUTTON SWITCH	1
37	30042001	SWITCH MEMBRANE ONE POSITION ON/OFF CT	1
38	30042000	TWO BUTTON SWITCH	1
39	30130001	NUT 10-32 ACORN SS 18-8	5
40	30132000	FAUCET RINATO - FS	1
41	31152001	PDP ASM SELF-CONTAINED CT	1

EUROPEAN TOUCH - LIMITED CONDITIONAL* WARRANTY

European Touch Holdings, Inc. ("European Touch") conditionally warrants your whirlpool pedicure spa (the "Pedicure Spa") in accordance with the terms and conditions set forth below for a period of one (1) year commencing on the original date of shipment of the Pedicure Spa to you. The warranty only applies to the Pedicure Spa's original end-user owner or customer (the "Customer"). **This Conditional Warranty is non-transferable and replaces any warranties previously published by European Touch.**

If examination of the Pedicure Spa by European Touch during the applicable warranty period shows it to have a defect in material or workmanship, European Touch will, at its option, repair or replace the defective component or part thereof. Further, European Touch may, at its discretion, replace a defective component or part with a refurbished component or part, or may replace the Pedicure Spa with a refurbished pedicure spa. If European Touch elects to replace the Pedicure Spa, the replacement pedicure spa must be comparable in style and size to the Pedicure Spa. The Customer shall bear all charges incurred for the shipment to it of replacement components or parts, or a replacement pedicure spa, and the cost of all labor incurred in repairing defects in the Pedicure Spa or repairing or replacing any of its defective components or parts.

The foregoing limited warranty does not apply:

- To the Pedicure Spa, or any components or parts thereof, if subjected to misuse or neglect or if accidentally or intentionally damaged.
- To the Pedicure Spa, or any components or part, if altered or modified in any way.
- To any expenses incurred by the Customer or any third party, including labor or material, during investigation, removal or reinstallation of the Pedicure Spa or any defective components or parts.
- To any damage to or impairment of the Pedicure Spa, or any components or parts thereof, caused by any casualty, including without limitation, accident, fire, wind, floods, acts of nature or attempted theft.
- To any workmanship of a fabricator (other than European Touch) or installer of the Pedicure Spa.
- If damage to pump parts and/or motor parts is due to obstructed plumbing.
- If the Pedicure Spa is removed from its place of initial installation.
- To staining, fading, or discoloration of any portion of the Pedicure Spa caused by water additives or improper water treatment.
- To staining, fading or discoloration of the Pedicure Spa's upholstered seat, armrests or footrests.
- To malfunctions or damage caused by improper installation of the Pedicure Spa, including, but not limited to, failure to meet local, state, or local plumbing, electrical and building codes.
- To damage resulting from a person standing in the Pedicure Spa's basin or other similar stress to that basin.
- To freight damage.
- To damage incurred to the Pedicure Spa while in possession of any party other than European Touch.

This foregoing conditional limited warranty is also conditional upon:

- The Pedicure Spa being installed by a licensed professional in accordance with European Touch's installation instructions.
- The proper use of cleaning and sanitizing solutions in accordance with the manufacturer's instructions, or state board. It must be noted that repeated use of concentrated sodium hypochlorite solutions (chlorine bleach), concentrated ether solutions, or acetone will damage

chrome and plumbing components and will void the limited warranty on those parts. European Touch recommends that you thoroughly read labels and use sanitizing products void of these chemicals.

- Use of this pedicure spa for functions it was not created for, including, but not limited to, ionic detox or any process that operates by reverse electroplating; this use will destroy plated parts and void the warranty.
- Shipment, if requested, to European Touch of Pedicure Spa parts or components thought to be defective. Parts or components may only be returned if authorized in advance by European Touch. All returns must be freight prepaid.
- Determination by European Touch, in its reasonable discretion, that there exists a defect in material or workmanship.

Repair or replacement of any part or component under this Limited Warranty, or furnishing a replacement pedicure spa, shall not extend the duration of the warranty with respect to such repaired or replaced part beyond the stated warranty period. When a part or component is replaced, it will be under warranty for 90 days, or for the remaining life of original warranty, whichever period is greater.

Customer agrees by using the Pedicure Spa that

- **THE OBLIGATION OF EUROPEAN TOUCH SHALL NOT EXTEND TO INDIRECT OR CONSEQUENTIAL DAMAGES OR INJURY WHICH MAY RESULT FROM SUCH USE**
- that the obligations of European Touch are limited to those set forth herein
- this warranty is limited to the original owner/end-user and is non-transferable
- European Touch shall not be liable for any other obligations or liabilities, including, but not limited to: obligations or liabilities arising out of breach of contract or warranty, negligence, or other tort or any theory of strict liability with respect to the Pedicure Spa or parts or components thereof or any acts or omissions of European Touch
- Any assistance European Touch provides to the Customer outside of terms, limitations, or exclusions of this limited warranty will not constitute a waiver of any of the foregoing terms, limitations, or exclusions, nor will such assistance extend or revive the warranty.

THIS LIMITED WARRANTY IS IN LIEU OF ALL OTHER WARRANTIES, EITHER EXPRESS OR IMPLIED, AND ALL SUCH OTHER WARRANTIES, INCLUDING WITHOUT LIMITATION, IMPLIED WARRANTIES OF MERCHANTABILITY OR FITNESS FOR A PARTICULAR PURPOSE, ARE HEREBY DISCLAIMED AND EXCLUDED FROM THIS LIMITED WARRANTY. NO DEALER OR OTHER PERSON HAS ANY AUTHORITY TO BIND EUROPEAN TOUCH TO CHANGES OR ADDITIONS TO THIS WARRANTY OR ITS PRODUCTS. ACCORDINGLY, EUROPEAN TOUCH IS NOT RESPONSIBLE FOR ANY SUCH OUTSIDE WARRANTIES OR REPRESENTATIONS.

IN NO EVENT SHALL EUROPEAN TOUCH BE LIABLE IN ANY WAY FOR ANY CONSEQUENTIAL, SPECIAL, OR INCIDENTAL DAMAGES OF ANY NATURE WHATSOEVER, OR FOR ANY AMOUNTS IN EXCESS OF THE SELLING PRICE OF THE PEDICURE SPA OR ANY COMPONENTS OR PARTS THEREOF FOUND TO BE DEFECTIVE. THIS LIMITED WARRANTY GIVES THE CUSTOMER SPECIFIC LEGAL RIGHTS. THE CUSTOMER MAY ALSO HAVE OTHER RIGHTS WHICH MAY VARY BY EACH JURISDICTION.

Should your Pedicure Spa require service due to a defect or malfunction, please contact:

European Touch – Technical Support
800.626.6912 | 414.357.7016 | f: 414.357.6360
email: service@europeantouch.com
website: www.europeantouch.com



EUROPEAN TOUCH™

**EUROPEAN TOUCH
8301 W. Parkland Court
Milwaukee, WI 53223**

**Phone Number: 1-414-357-7016
Toll Free: 1-800-626-6912
Fax: 1-414-357-6360**

**Web Site: www.europeantouch.com
Email: info@europeantouch.com**