



Instruction manual for in column wine cabinet

Model code: WC6112

Thank you for buying your new Caple Wine Cabinet. To ensure that you get the best results from your new purchase, we strongly suggest that you read this instruction manual thoroughly before use. This manual contains installation advice, usage instructions and other important facts about your CAPLE Wine Cabinet. If treated with care your CAPLE Wine Cabinet should give you many years of trouble free use.

IMPORTANT WARNINGS AND ADVICE

- Unpack your wine cabinet carefully and remove all of the protective packing from inside and outside.
- Packing (plastic bags, polystyrene, nails, metal, etc.) must not be left within the reach of children as they are a potential source of danger.
- After unpacking, make sure that the appliance is in perfect order. If you have any doubt, do not use it and contact your retailer.
- Check that all the fittings are in the correct position on the inside of the cabinet.
- Release the mains lead which is fitted with a 13 amp UK type plug.
- Move your wine cabinet to its final location.
- DO NOT MOVE YOUR CABINET WHILE LOADED WITH WINE as this could distort the cabinet.
- Ensure that the specified ventilation instructions are adhered to.
- Do not try to modify the appliance's technical characteristics as this could be dangerous.
- This appliance is intended to be used exclusively for the storage of wine. It is not designed for food storage.
- Do not clean or maintain the appliance without disconnecting it first.
- To prevent damaging the door gasket, make sure that the door is fully open when pulling shelves out.
- Ensure that you fully understand these instructions before operating this appliance.
- Caple are NOT responsible for: -
 1. Damage caused by incorrect, mistaken or irrational use.
 2. Any errors in this manual, or for any damage linked to or following the provision, performance or use of any wine cabinet.
- The information in this document is subject to modification without prior notice.

DISPOSAL OF OLD APPLIANCE

Discarded appliances are potentially dangerous to CHILDREN.

Before you throw away your old Wine Cabinet:

- Remove the door. Leave the shelves in place so that children cannot easily climb inside.
- Never allow children to operate, play with, or climb inside the appliance.

INSTALLATION INSTRUCTIONS

BEFORE TURNING THE WINE CABINET ON ENSURE IT IS PERFECTLY LEVEL. This will minimise any vibrations.

Your cabinet is equipped with 4 adjustable feet. However, we recommend that you tighten the back feet to the maximum and then use the front feet to level the cabinet.

IMPORTANT: WAIT 12 HOURS BEFORE TURNING THE WINE CABINET ON FOR THE FIRST TIME.

Safety Instructions

- A fan evacuates heat via the bottom vents.
- It must be installed well away from any heat source.
- It must not be placed in direct sun light.
- It must not be in a damp location (laundry, pantry, bathroom, etc)
- It must be perfectly level.
- It must have a correctly installed and reliable electricity supply correctly earthed.
- Use of a multi-socket or extension lead is not recommended.
- This wine cabinet must be earthed to provide protection in the event of an electrical short circuit.
- It is fitted with a power cord having an earth wire terminating in a 13amp plug.
- Consult a qualified electrician or service engineer if the earthing instructions are not completely understood.

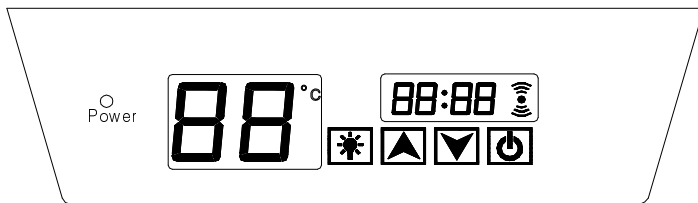
WARNING: INCORRECT EARTHING CAN RESULT IN THE RISK OF ELECTRIC SHOCK.

OPERATING YOUR WINE CABINET AND SETTING THE TEMPERATURE CONTROL

The wine cabinet should be placed where the ambient temperature is between 5-32 deg centigrade. If the ambient temperature is above or below this range, the performance of the unit may be affected. For example, placing your unit in extreme cold or hot conditions may cause interior temperatures to fluctuate and maybe can not reach the setting temperature.










➤ **The controls of your Wine cooler**

LCD touch panel.



- **“Power”**
When the indicator light is on, the power for the machine is on.
- **“ 88 ”**
To shows the temperature of the internal cabinet.
- **“ ▲ ” Button**
1>Used to raise the temperature 1 °C;
2>Used to adjust the clock(increase 1 min or 1 hour)
- **“ ▼ ” Button**
1>Used to reduce the temperature 1 °C;
2>Used to adjust the clock (decrease 1 min or 1 hour)
- **“ ☀ ” Button**
1>To control the inner light turn on/off.
(Press this button, the light is on, and the light is not controlled by door. Press this button again, the light is off, and the light is controlled by door.)
2>Set up time mode/ light control mode change.
- **“ ⏻ ” Button**
To control the power, turn the appliance on/off.
(Press this button, the power is on. Press this button with 3 seconds again, the power is off.)
- **“ 88:88 ”**
Display Clock .
- **“ 📶 ”**
Alarm Indicator light.

➤ **Setting The Temperature Controls**

- The temperature range can be set as low as 4°C or as high as 18°C to suit your specific storage requirements.
- The standard temperature setting is 12°C.
- When setting the temperature each press on the  or  button the temperature setting will increase or decrease by 1°C. When the temperature setting reaches the upper limit 18°C or lower limit of 4°C, the temperature setting will not increase or decrease.
- Press the  button for 3 seconds and the system will be enter the time set up. The hour figure will flash first and each press once the  or  button the hour figure will increase or decrease by 1. After 5 seconds the hour figure will stop flashing automatically and the minute figure will flash. Each press on the  or  button and the minute figure will increase or decrease by 1. After 10 seconds the system will quit the time set up. When in the time set up temperature will not change .
- If you want to know the actual temperature, please press  or  for 3 seconds, the display panel will show the actual temperature. After 5 seconds it will show the set temperature.
- **Flashing word**= Cabinet Temperature
Steady word = Set Temperature

➤ **Note:**

- If the unit is unplugged, power lost, or turned off, you must wait 3 to 5 minutes before restarting the unit. If you attempt to restart before this time delay, the Wine cabinet will not start.
- When you use the Wine cabinet for the first time or restart the Wine cabinet after having been shut off for a long time, there could be a few degrees variance between the temperature you select and the one indicated on the LCD readout. This is normal and it is due to the length of the activation time. Once the Wine cabinet is running for a few hours everything will be back to normal.

➤ **Function Instruction**

• **Temperature Memory Function**

In the event of a power interruption, wine cabinet will remember the previous temperature settings and when the power is recovered, the cabinet temperature will go back the same setting temperature as power off.

• **Open Door Alarm**

When you forget close the door or the door is not closed completely, the alarm will sound after 5 minutes. Please close the door completely to avoid cold energy being lost.

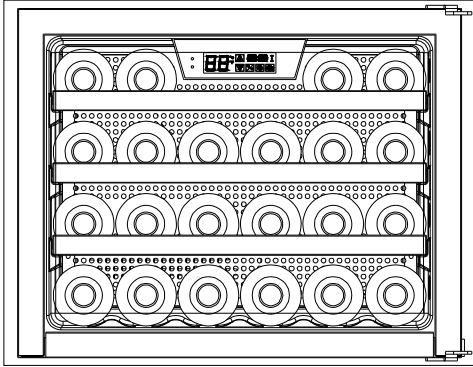
• **Temperature Alarm**

If inner temperature is higher than 23°C, "HI" is shown in display panel, the alarm will sound after one hour continuously. It informs that the inner temperature is too high, please check the reason.

If inner temperature is lower than 0°C, "LO" is shown in display panel the alarm will sound in addition the malfunction indicator will light at the same time.

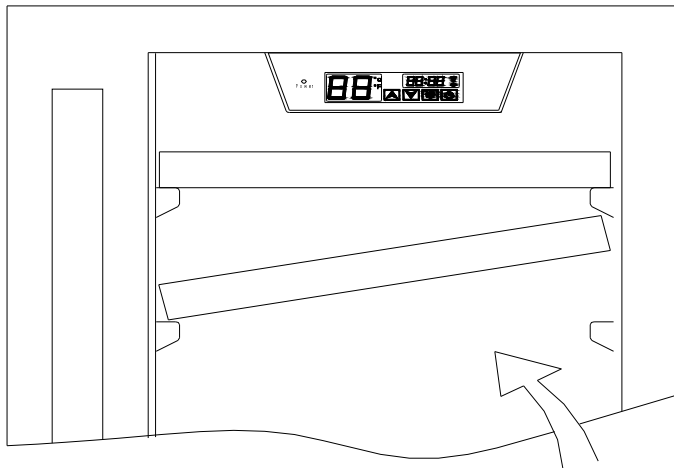
➤ **Storage diagram**

Total: 22 bottles(Max) (for 750 ml Bordeaux bottles)

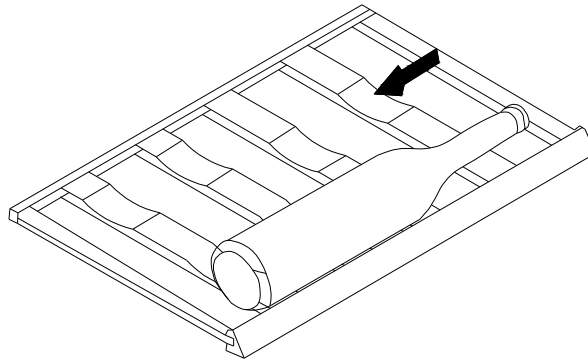


➤ **Shelves**

- To prevent damaging the door gasket, make sure the door is fully opened when pulling shelves out of the rail compartment.
- For easy access to the storage content, you must pull the shelves approximately 1/3 out of the rail compartment, however this unit was designed with a notch on each sides of the shelf tracks to prevent bottles from falling.
- When removing any of these shelves out of the rail compartment, tilt the shelf as per the diagram and simply pull out, or push in the shelf until it sits on the support brackets securely.

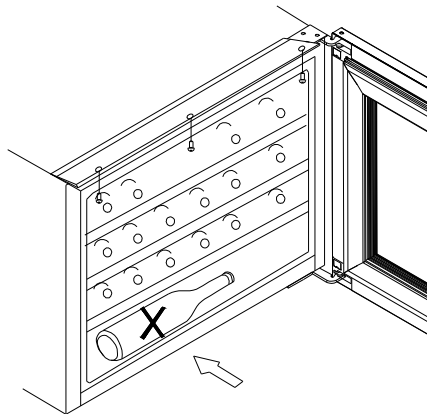


- This shelves are designed with concave grooves, Tall wine bottles can also be stored crossways on the wooden shelves.



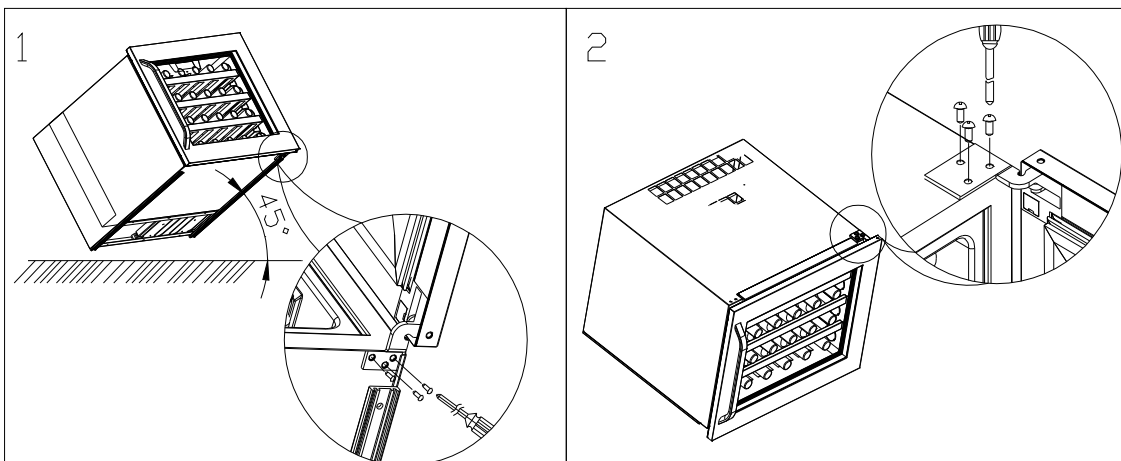
CAUTION !

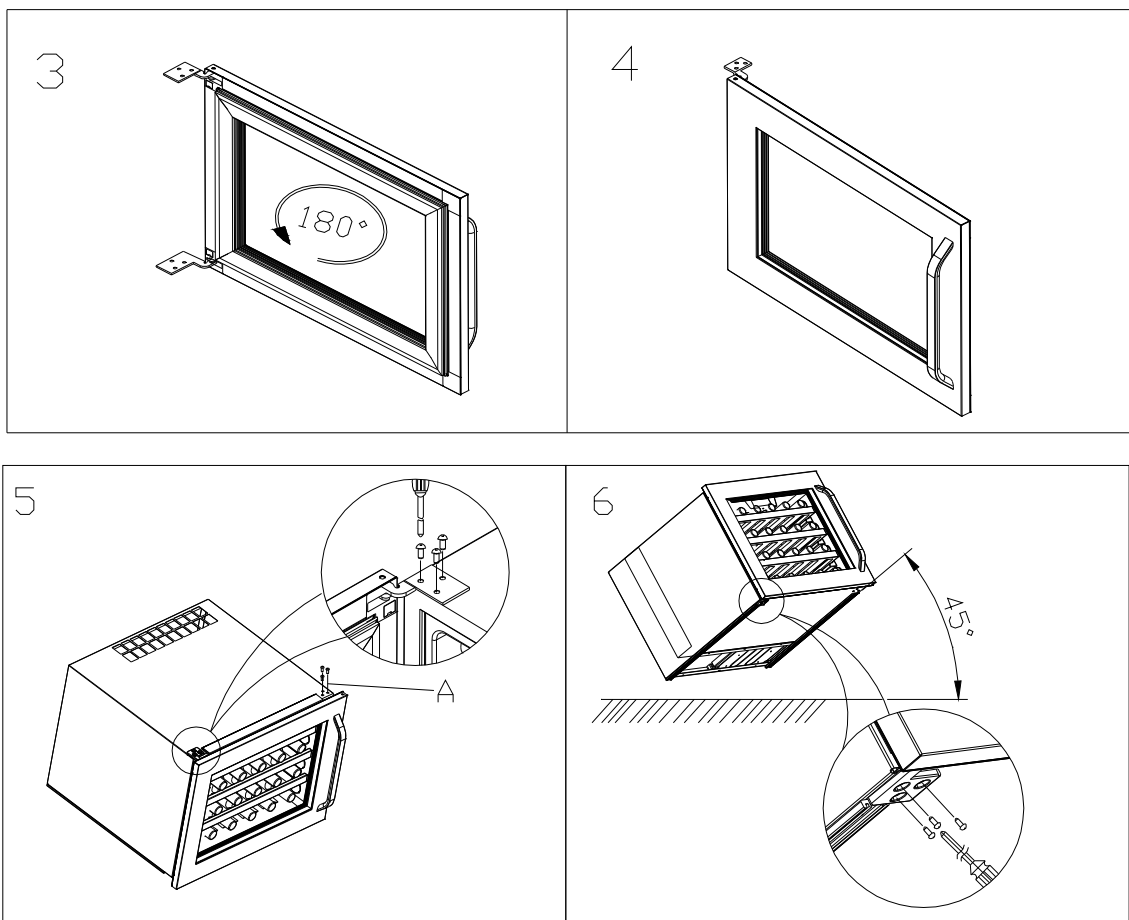
Do not store bottles crossways on the interior floor! Otherwise, bottles may fall out when the appliance door is opened and this may cause injury or material damage.



➤ **How to change the door opening**

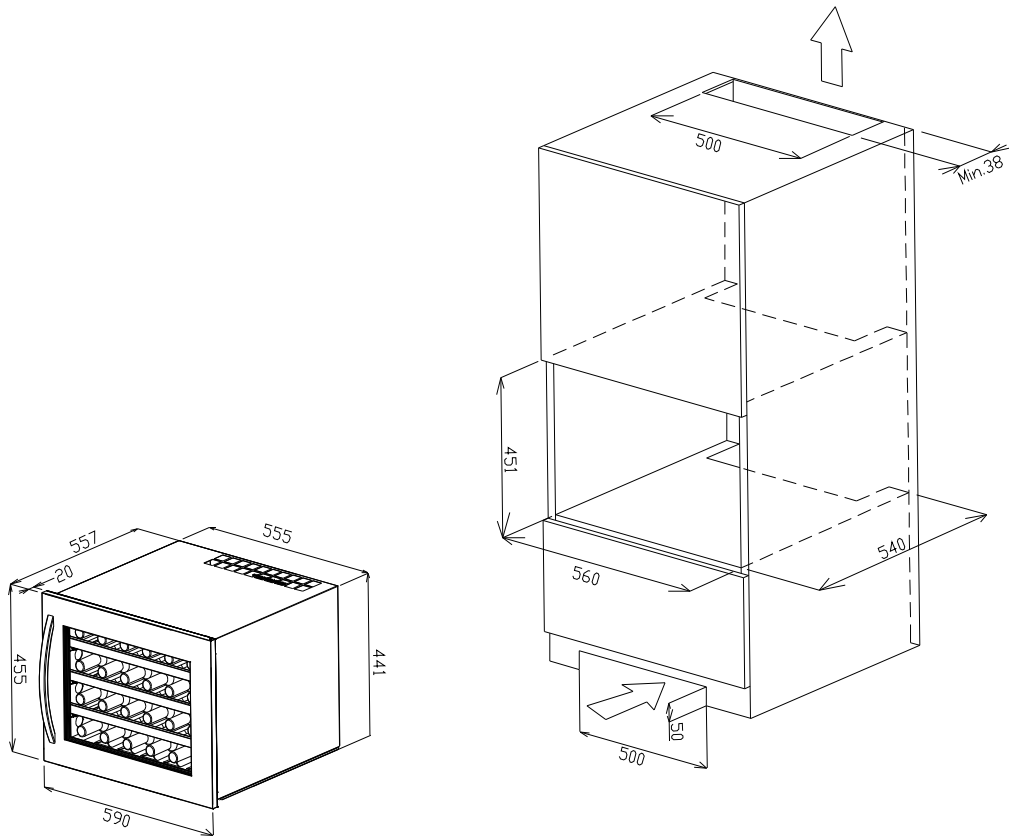
This appliance has reversible doors but is delivered with a right hinged door. The left hand hinge kit comes with the unit (in the box), should you wish to reverse the hinge on your unit.



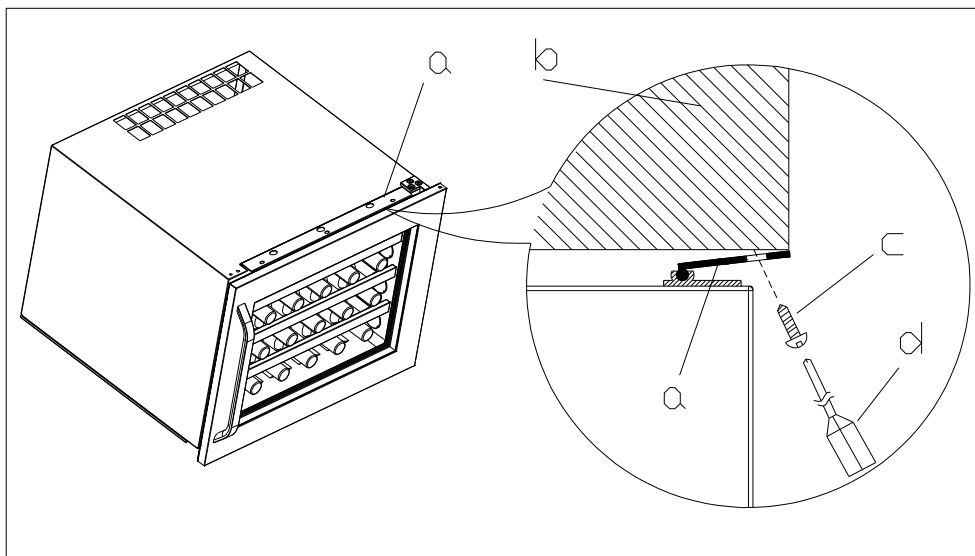


1. Incline the wine cabinet with 45 degrees, take out right lower hinge's screws with screwdriver (Fig.1)
2. Level the wine cabinet, Hold the door and take out right upper hinge's screws with screwdriver, then take out the door and rotate the door 180 degrees (Fig.2 & Fig.3 & Fig.4)
3. Take off the decorated nail from left upper side, then fit the door with screws, then fit the decorated nail to right side of A location. (see Fig.5& Fig.6)

➤ **Installation specifications for built-in purposes**



1. After installing the wine cellar into the cabinet, please adjust limited block (a) close to cabinet (b)
2. Please fix the 3 pcs screws through the limited block (a) screw hold into cabinet (b), please find below picture for reference



a、 Limited block b、 Cabinet c、 Screw d、 Screwdriver

CARE AND MAINTENANCE

➤ **Cleaning**

- Turn off the power, unplug the appliance, and remove all items including shelves and rack.
- Wash the inside surfaces with a warm water and baking soda solution. The solution should be about two tablespoons of baking soda to one litre of water.
- Wash the shelves with a mild detergent solution.
- Wring excess water out of the sponge or cloth when cleaning the control panel, or any electrical parts.
- Wash the outside cabinet with warm water and mild liquid detergent. Rinse well and wipe dry with a clean soft cloth.

➤ **Power Failure**

- Most power failures are corrected within a few hours and should not affect the temperature of your appliance if you minimise the number of times the door is opened. If the power is going to be off for a longer period of time, you need to take action to protect the contents.

➤ **Vacation Time**

- **Short vacations:** Leave the wine cabinet operating during vacations of less than three weeks.
- **Long vacations:** If the wine cabinet will not be used for several months, remove all items and disconnect. Clean and dry the interior thoroughly. To prevent odour and mould growth, leave the door open slightly (blocking it open if necessary).

➤ **Moving Your Wine Cabinet**

- Remove all bottles.
- Securely tape down all shelves inside the cabinet.
- Turn the adjustable legs up to the base to avoid damage.
- Tape the door shut.
- Be sure the appliance stays secure and upright during transportation. Also protect the outside of the wine cabinet. (e.g. with a blanket).

➤ **Energy Saving Tips**

- The wine cabinet should be located in the coolest area of a room, away from heat producing appliances, and out of the direct sunlight.

PROBLEMS WITH YOUR WINE CABINET?

You can solve many common Wine cabinet problems easily, saving you the cost of a possible service call. Try the suggestions below to see if you can solve the problem before calling the servicer.

TROUBLESHOOTING GUIDE

PROBLEM	POSSIBLE CAUSE
Wine cabinet does not operate.	Not plugged in. The appliance is turned off. The circuit breaker tripped or a blown fuse.
Wine cabinet is not cold enough.	Check the temperature control setting. External environment may require a higher setting. The door is opened too often. The door is not closed completely. The door gasket does not seal properly.
Turns on and off frequently.	The room temperature is hotter than normal. A large amount of contents has been added to the Wine cabinet. The door is opened too often. The door is not closed completely. The temperature control is not set correctly. The door gasket does not seal properly.
The light does not work.	Not plugged in. The circuit breaker tripped or a blown fuse. The bulb has burned out. The light button is "OFF".
Vibrations.	Check to assure that the Wine cabinet is level.
The Wine cabinet seems to make too much noise.	The rattling noise may come from the flow of the refrigerant, which is normal. As each cycle ends, you may hear gurgling sounds caused by the flow of refrigerant in your Wine cabinet. Contraction and expansion of the inside walls may cause popping and crackling noises. The Wine cabinet is not level.
The door will not close properly.	The Wine cabinet is not level. The door was reversed and not properly installed. The gasket is dirty. The shelves are out of position.

DEFROSTING/CONDENSATION

Your wine cellar is designed with an "Auto-cycle" defrost system. When the RUN cycle is OFF, the refrigerated surface of the wine cellar (interior rear wall) defrosts automatically. The defrost water is channelled into a drain pan which is located at the back of the wine cellar next to the compressor from where it evaporates.

HUMIDITY MAINTENANCE SYSTEM

The wine cellar is equipped with a system for maintaining the correct level of humidity. If humidity is too low, insert the small plastic reservoir on to the top shelf. Fill this reservoir 3/4 full with water. Check the water level occasionally and refill as necessary.

RECOMMENDED TEMPERATURE SETTINGS

For storing ALL TYPES OF WINES 12 °c to 14 °c

RECOMMENDED DRINKING TEMPERATURE

Champagne NV, Sparkling	6 °c
Champagne Vintage	10 °c
Dry White Semillon, Sauvignon Blanc	8 °c
Dry White Gewürztraminer, Riesling	10 °c
Dry White Chardonnay	10 °c
Vintage Chardonnay	14 °c
Sweet White Sauternes Monbazillac, Late Harvest ice wine	10 °c
Sweet whites vintage Sauternes	14 °c
Beaujolais	13 °c
Red Pinot Noir	16 °c
Vintage Pinot Noir red	18 °c
Red Cabernet, Merlot, French, Australian, New Zealand, Chilean, Argentinean, Italian, Spanish, Californian	18 °c
Red Grenache, Syrah	16 °c