

NOTE: If the terminals in the plug are not marked or if you are unsure or in doubt about the installation of the plug please contact a qualified electrician. If a 13A 3-pin plug is fitted, it must be an ASTA approved plug, conforming to BS1363 standard. Replacement 3A fuse must be BSI or ASTA BS1362 approved.

GUARANTEE

PLEASE KEEP YOUR RECEIPT AS THIS WILL BE REQUIRED FOR ANY CLAIMS UNDER THIS GUARANTEE.

- This product is guaranteed for 2 years.
- In the unlikely event of breakdown, please take it back to the place of purchase, with your till receipt and a copy of this guarantee.
- The rights and benefits under this guarantee are additional to your statutory rights which are not affected by this guarantee.
- The manufacturer undertakes within the specific period, to repair or replace free of charge, any part of the appliance found to be defective provided that
- We are promptly informed of the defect.

- The appliance has not been altered in any way or subjected to misuse or repair by a person other than a person authorised by the manufacturer.
- No rights are given under this guarantee to a person acquiring the appliance second hand or for commercial or communal uses.
- Any repaired or replaced appliance will be guaranteed on these terms for the remaining portion of the guarantee.

THIS PRODUCT IS MANUFACTURED TO COMPLY WITH THE E.E.C. DIRECTIVES 73/23/EEC, 89/336/EEC AND 98/37/EEC.

Waste electrical products should not be disposed of with Household waste. Please recycle where facilities exist. Check on the following website for further recycling and WEEE information: www.jardencs.com or e-mail info-europe@jardencs.com



Holmes Products (Europe) Ltd
1 Francis Grove
London SW19 4DT
England

Fax: +44 (0)20 8947 8272
Email: info-europe@jardencs.com
Website address: www.jardencs.com

UK - Free phone Customer Service Helpline - 0800 052 3615



© 2006 Sunbeam Products, Inc. doing business as Jarden Consumer Solutions. All Rights Reserved.

9100030004271
BU1300WIUK06EM1



ULTRASONIC HUMIDIFIER

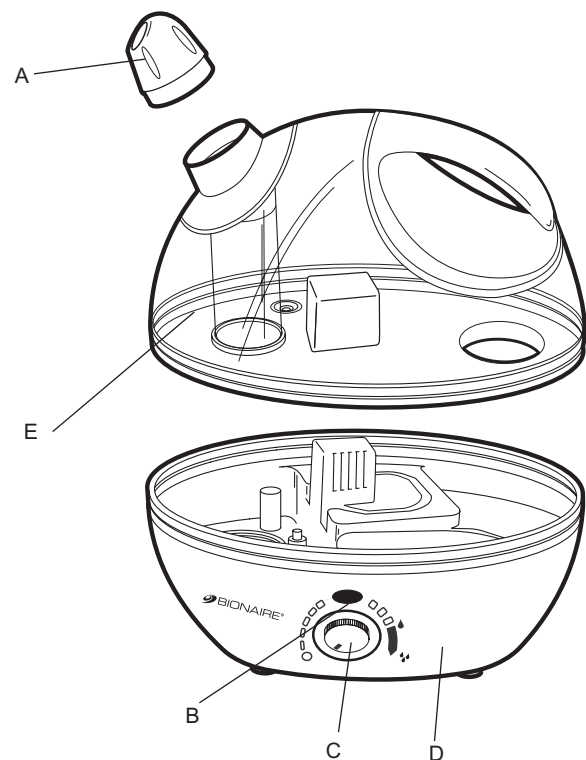
BU1300W



INSTRUCTION MANUAL

BU1300W

Fig. 1



ENGLISH

CONGRATULATIONS

By choosing a Bionaire® humidifier, you have chosen one of the finest humidifiers on the market today

READ AND RETAIN THE FOLLOWING FOR FUTURE REFERENCE.

GENERAL DESCRIPTION (SEE FIG. 1)

- A Mist Nozzle
- B Power/Night Light
- C Humidity Control Switch
- D Base
- E Water Tank

IMPORTANT SAFEGUARDS

Please read this manual carefully before using this appliance, as correct use will give you the best possible performance.

When using electrical appliances, basic safety precautions should always be followed, including the following:

- Read all instructions before using.
- Close supervision is necessary when any appliance is used near children. Appliance must be kept out of the reach of children.
- Appliance must be used by a responsible adult.
- Unplug from outlet when not in use, before putting on or taking off parts, and before cleaning.
- Do not operate any appliance with a damaged cord or plug, or after the appliance malfunctions or has been dropped or damaged in any manner. If the cord is damaged, it must be replaced by the manufacturer or a service agent in order to avoid hazard.
- The use of accessory attachments not recommended or sold by Bionaire® may result in fire, electric shock or personal injury.
- Do not use outdoors.
- Do not let cord hang over edge of table or counter, or touch hot surface including the stove.
- Do not use appliance for other than intended use.
- Always disconnect the appliance from the supply if it is left unattended and before assembling, disassembling or cleaning.
- In the event of a momentary electrical disturbance, the product may malfunction and require user to reset the product.

- Check the operating voltage shown on the back of the unit. Do not operate at higher voltage than shown.
- Never turn on, plug in or unplug the humidifier while your hands are wet in order to avoid electric shock.
- Ensure humidifier is level. If the humidifier is not level always turn the power off before handling it.
- Do not disassemble the humidifier while it is plugged in to avoid electric shocks.
- If you need to replace the plug or cable always refer to the instructions.
- Do not operate appliance with a damaged cord or if the appliance has been dropped or damaged. To avoid the risk of electric shock never disassemble the appliance. Take appliance to a qualified repair centre for examination and repair. Incorrect re-assembly can cause a risk of electric shock when used.
- If the power supply cord is damaged, it must be replaced by the qualified persons in order to avoid a hazard.
- Do not place humidifier in front of ventilating outlets and keep away from furniture and other electrical appliances.
- Do not add water directly into the mist nozzle outlet.
- Unplug the humidifier from the mains if it is not to be used for any length of time.
- Do not pour water into the mist nozzle outlet while the humidifier is plugged into the mains.
- When the water tank is full the humidifier can be used for 8-10 hours without refilling. **NOTE:** Please note that the output level will vary depending on the humidity and temperature of the room.
- Always place humidifier on a firm, flat, level surface. A waterproof mat or pad is recommended for under the humidifier. NEVER place it on a surface that may become damaged by exposure to water and moisture (i.e. finished floor).
- DO NOT allow the Moisture Outlet to directly face the wall. Moisture could cause damage, particularly to wallpaper.
- NEVER tilt, move, or attempt to empty unit while it is operating. Shut off and unplug before removing the water tank and moving the unit. DO NOT attempt to remove the water tank within 15 minutes after the humidifier is turned off and unplugged. Serious injury may result.

- Excessive humidity in a room can cause water condensation on windows and some furniture. If this happens, turn the humidifier OFF
- Do not use humidifier in an area where humidity level is in excess of 55%.

PRE-OPERATING INSTRUCTIONS

1. Be sure the humidifier is disconnected from the wall outlet and humidity control switch (C) is in the off position (O).
2. Remove the tank lid and fill with cool, fresh tap water.
3. Replace the lid.
4. Place the water tank (E) on the base (D).
5. Ensure humidifier is level. If the humidifier is not level always turn the power off before handling it.

OPERATING INSTRUCTIONS

1. Plug the power cord into a convenient electrical outlet.
2. Power/Night light (B) will illuminate when the unit is operating. When the unit is out of water or when the unit is switched off, the Power/Night light will not be working.
3. Turn your humidifier on by rotating the humidity control switch (C) to the high position (▲▲). It will take a few minutes before full moist air output is obtained. Please note the mist will only be visible and humidifying between the moisture droplet marks shown on your humidifier (Min (▲) - Max (▲▲)).
4. Power/night light (B) will illuminate when humidifier is connected to main electrical power and the humidifier is switched on.
5. To reduce the speed at which the vapour is emitted, turn the humidity control switch towards the low position (▲).
6. Rotate the humidity control switch from low to high to regulate the mist output.
7. Rotate the mist nozzle (A) to the desired mist direction.
8. When the unit runs out of water, the transducer will automatically shut off.
9. Turn the humidity control switch anti-clockwise to the off (O) position, then unplug the unit.
10. Before refilling the tank, empty any residual water and follow the Daily maintenance instructions.
11. Refill the water tank with cool tap water and replace onto the base.
12. Plug power cord into the electrical outlet and turn the humidity control switch clockwise to the desired humidity level.
13. DO NOT move the humidifier with water in the tank on the humidifier base. This may cause the humidifier to function

intermittently, or stop emitting mist altogether. Should this occur, simply remove excess water from the humidifier base.

IMPORTANT: If you do not plan to use your humidifier for two or more days, make sure any residual water is drained from the tank and base to prevent any bacteria growth in stagnant water.

CARE AND CLEANING

Humidifiers provide comfort by adding moisture to dry, heated indoor air. To get the most benefit from the humidifier and to avoid product misuse, follow all instructions carefully, specifically the operation, care and maintenance guidelines. Please note this is an electrical appliance and requires attention when in use. Cleaning your humidifier every one or two weeks, depending on the water conditions is important in order to maintain efficient, healthy, odour-free operation. Water quality varies widely and, combined with build-up of mineral scale in your humidifier, may under certain conditions promote the growth of micro-organisms in the water tank.

Before cleaning, Please note the following:

- DO NOT use soap, detergents, abrasives, gasoline, glass or furniture polish, or boiling water to clean any part of your Ultrasonic Humidifier. These will interfere with the proper operation of your unit and may affect its appearance.
- DO NOT use sharp or metal objects to clean mineral deposits in the reservoir. Contact with sharp objects can result in damage to the plastic.
- Mineral deposits should be soaked for up to 20 minutes in Bionaire® "Clean-Away" solution or in plain vinegar and water to help with their removal.
- NEVER mix "Clean-Away" solution with any other fluid!
- DO NOT clean any part of your humidifier in the dishwasher.

Daily maintenance:

1. Before cleaning, set the humidity control switch to the Off position (O) and unplug the unit from the electrical outlet.
2. Lift off the tank of the humidifier.
3. Carry the base and the tank to the sink, then drain and rinse the base and tank thoroughly to remove any sediment or dirt. Wipe clean and dry with a clean cloth or paper towel.

TROUBLE SHOOTING

PROBLEM	CAUSE	SOLUTION
Power light is off.	Humidifier is not plugged in or humidity control switch is on the off (O) position.	Plug into power socket and turn the humidity control switch clockwise.
	No water in tank. Humidity control switch is on the off (O) position.	Fill the tank with water. Turn the humidity control switch clockwise.
Power light is on but no mist being emitted.	The water level is too high.	Pour some of the water from the water tank inlet and replace the tank.
	Humidity level is set too low.	Select a humidity setting between the Min (▲) and Max (▲▲) humidity range.
Mist has bad odour.	The machine is new or the water is not clean.	Open the water tank and place the appliance in a cool area for 12 hours. Wash the tank out or change the water.
Little mist being emitted.	The humidity control has scale, the water is dirty or has not been changed for some time.	Wash the humidity control and change the water.
	Scale covers the transducer	Clean the transducer softly with a damp cotton ball. Transducer surface is delicate, avoid applying excessive pressure.
	Humidity level is set too low.	Increase the humidity level by turning the Humidity Control Knob from Min (▲) to Max (▲▲).

4. Refill the tank with cool tap water as instructed in "Operating Instructions". Do not over fill.
5. If moisture forms on walls or window, turn the humidifier off.

STORAGE TIPS

If you do not plan to use your unit for an extended period of time, (i.e. during the summer months), it is important that you follow these instructions to help prevent stagnation of water in the unit.

1. Turn the unit off and disconnect from the outlet. Remove the water tank, then empty the tank and the base completely. Clean the humidifier as instructed in the cleaning instruction section.
2. Dry the unit thoroughly. DO NOT leave any water in the unit when storing.
3. Pack the humidifier in its original carton and store in a cool, dry place.

For U.K. and Ireland only:

If the plug is not suitable for the socket outlets in your home, it can be removed and replaced by a plug of the correct type. Please refer to "Installation of a plug" below.

Installation of a plug

Applicable to U.K. and Ireland

The wires in the mains lead are coloured as such:

BROWN - LIVE
BLUE - NEUTRAL

Please note that the colour of these mains wires may not correspond with the colour markings that identify the terminals in your plug. Please proceed as follows:

The BROWN coloured wire must be connected to the terminal, which is marked with the letter "L" or is coloured RED.

The BLUE coloured wire must be connected to the terminal, which is marked with the letter "N" or is coloured BLACK.

DO NOT CONNECT either of these wires to the earth terminal in the plug. The earth terminal plug is marked with the letter "E", or with the earth symbol (⊕) or coloured GREEN and YELLOW.

